

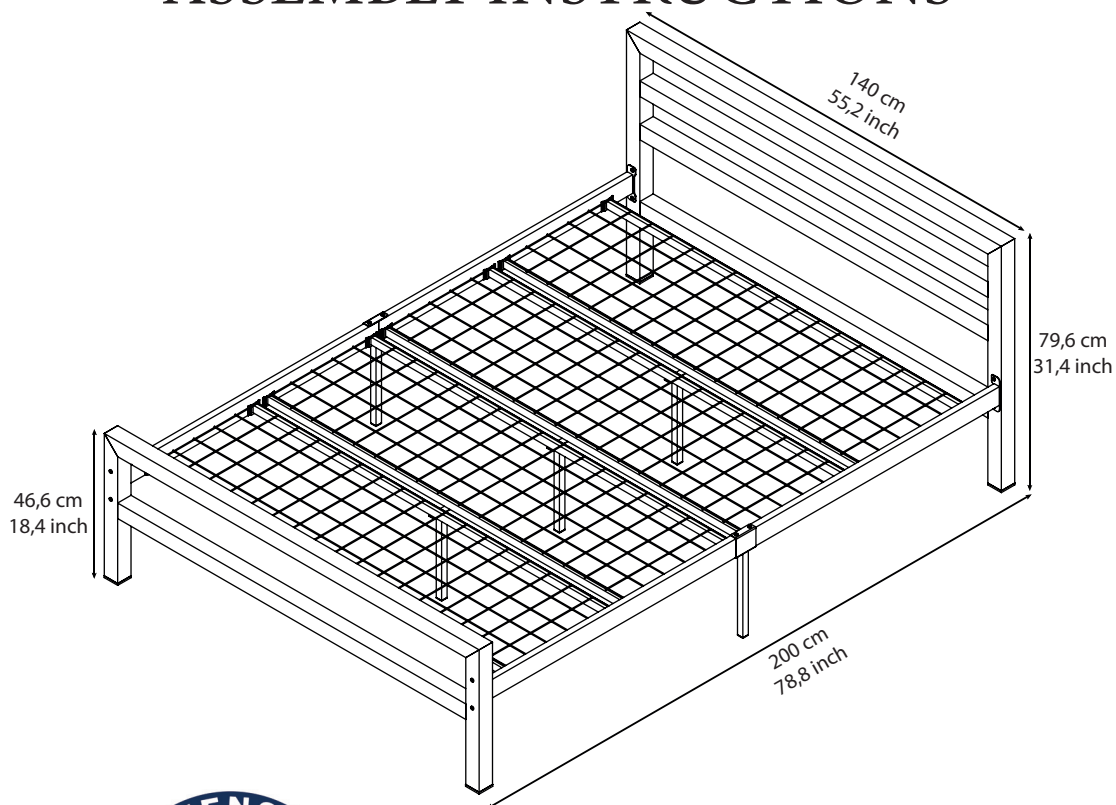
AVENSIS[®]

It's my furniture

BUHARA BED FRAME

DOUBLE 4FT6 - 135 x 190 cm

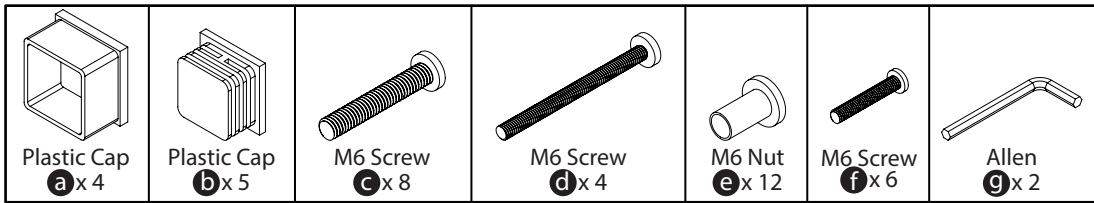
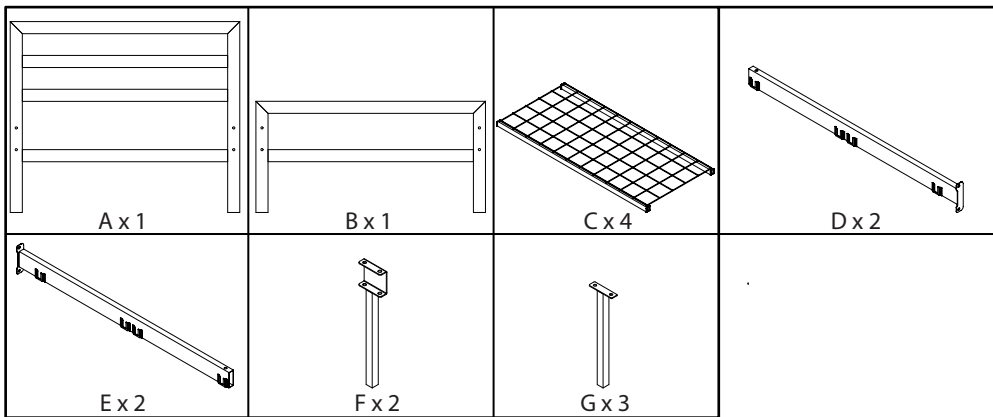
ASSEMBLY INSTRUCTIONS



HARDWARE NOTE :

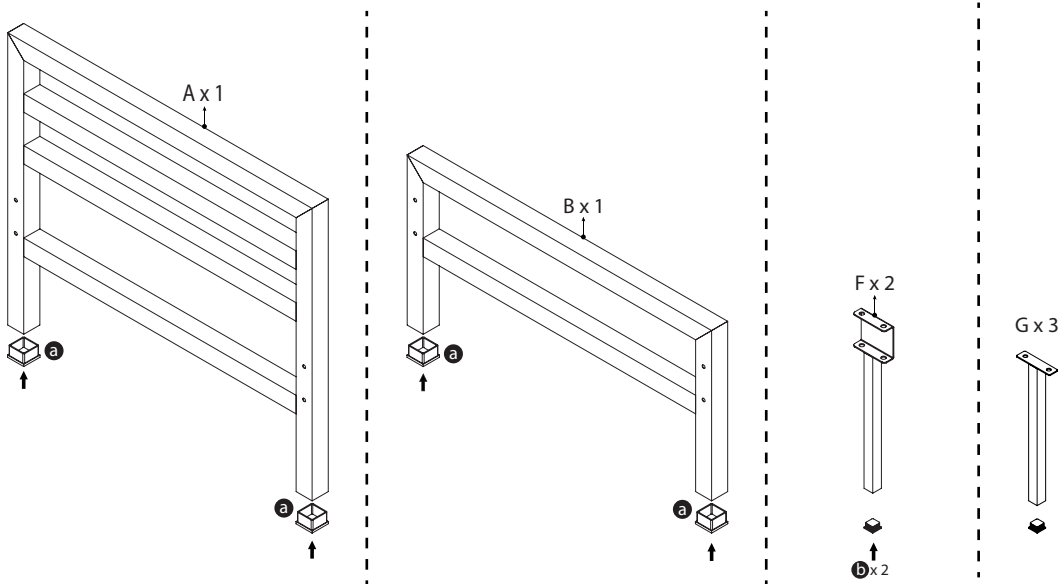
Do not screw on the bolts too tight unless the installation is done. Make sure all bolts are tightly screwed before you use it.

COMPONENTS

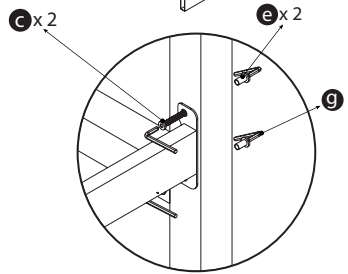
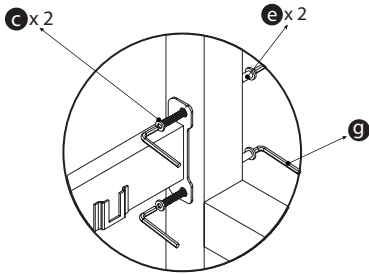
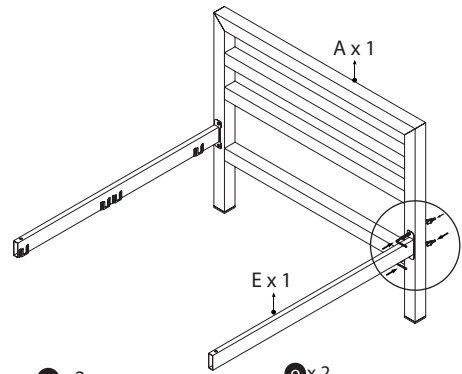
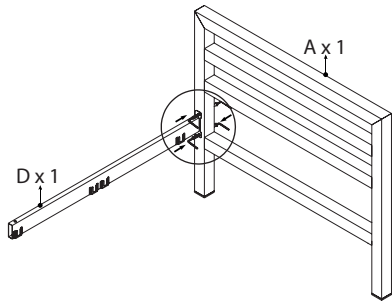


STEPS

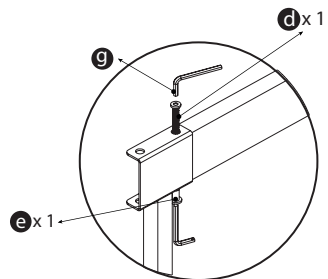
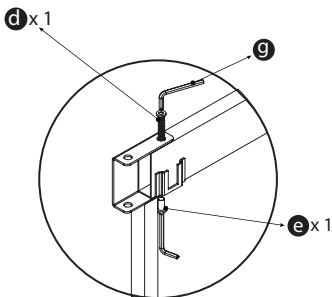
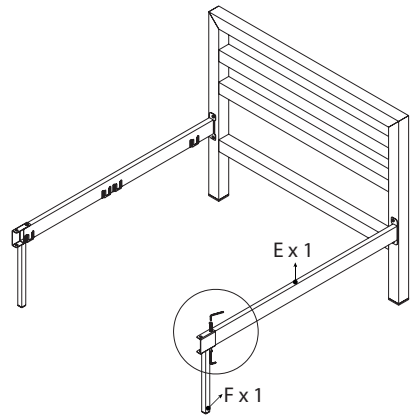
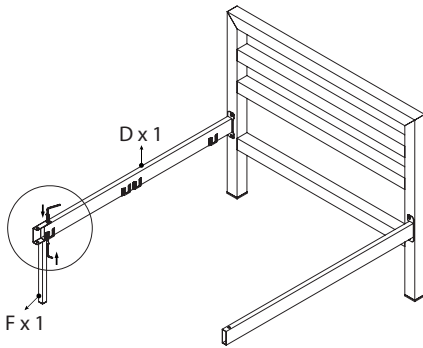
STEP - 1



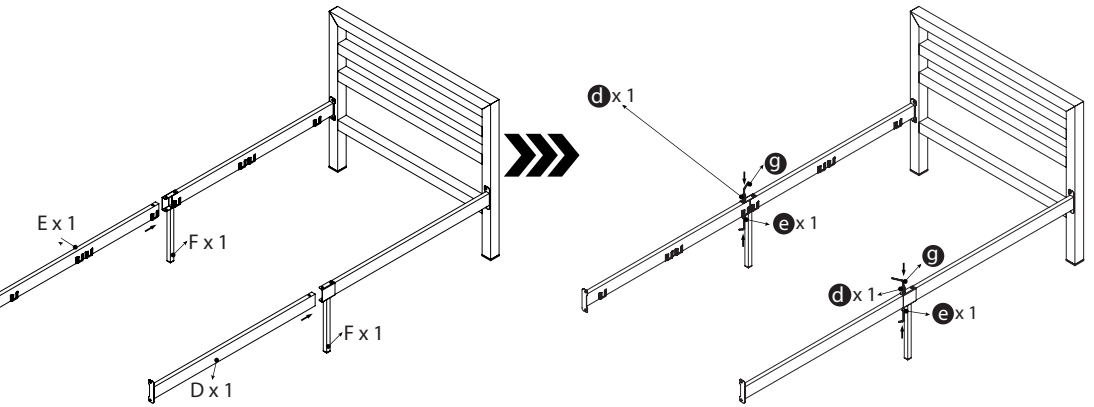
STEP - 2



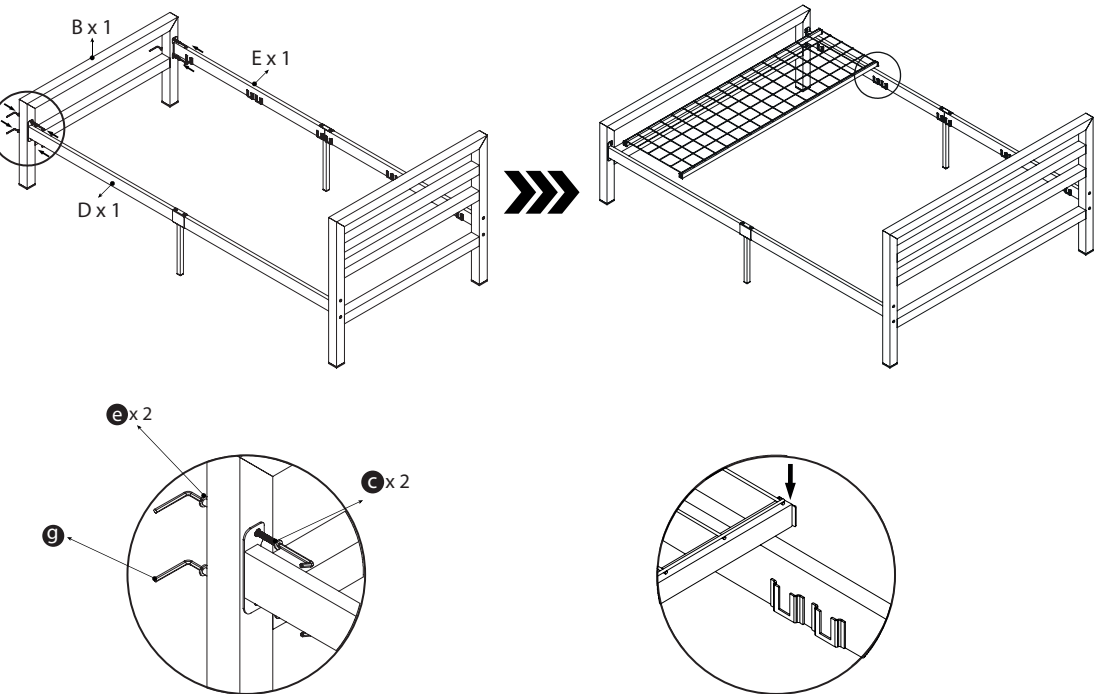
STEP - 3



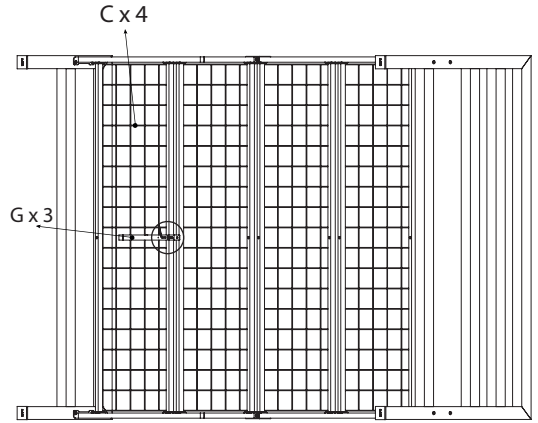
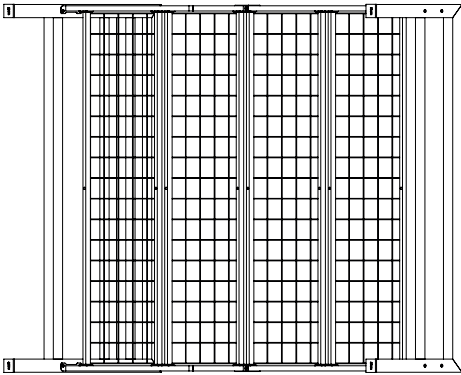
STEP - 4



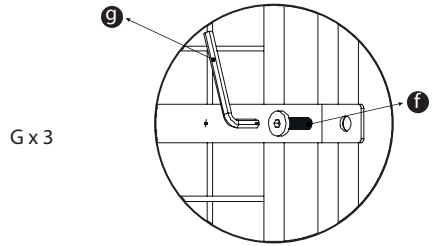
STEP - 5

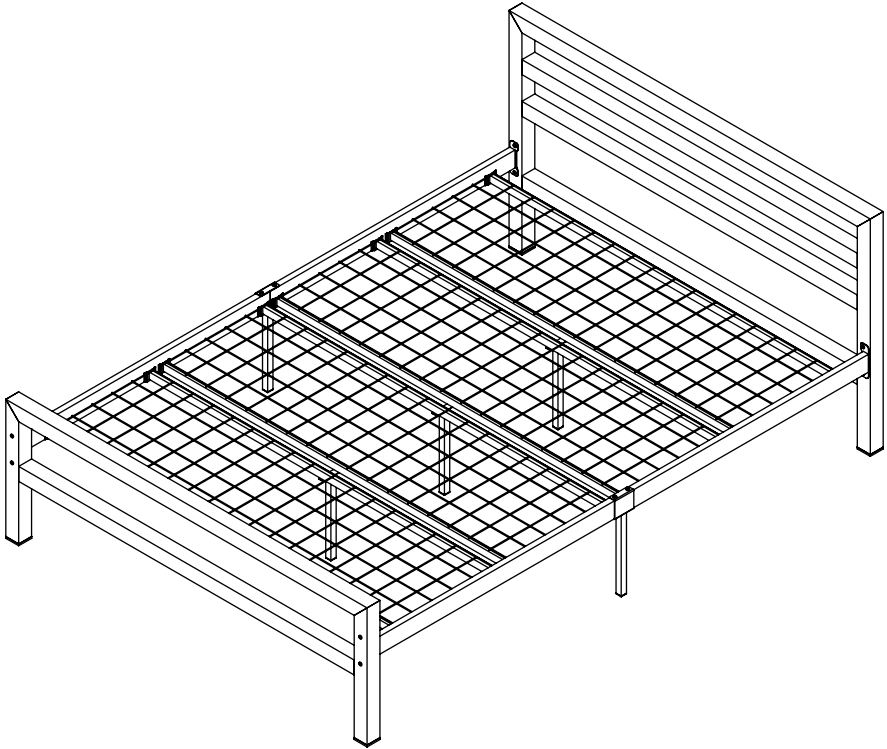


STEP - 6



NOTE :
Lay the product on its side as in the image and mount the parts.







avensis[®]
It's my furniture