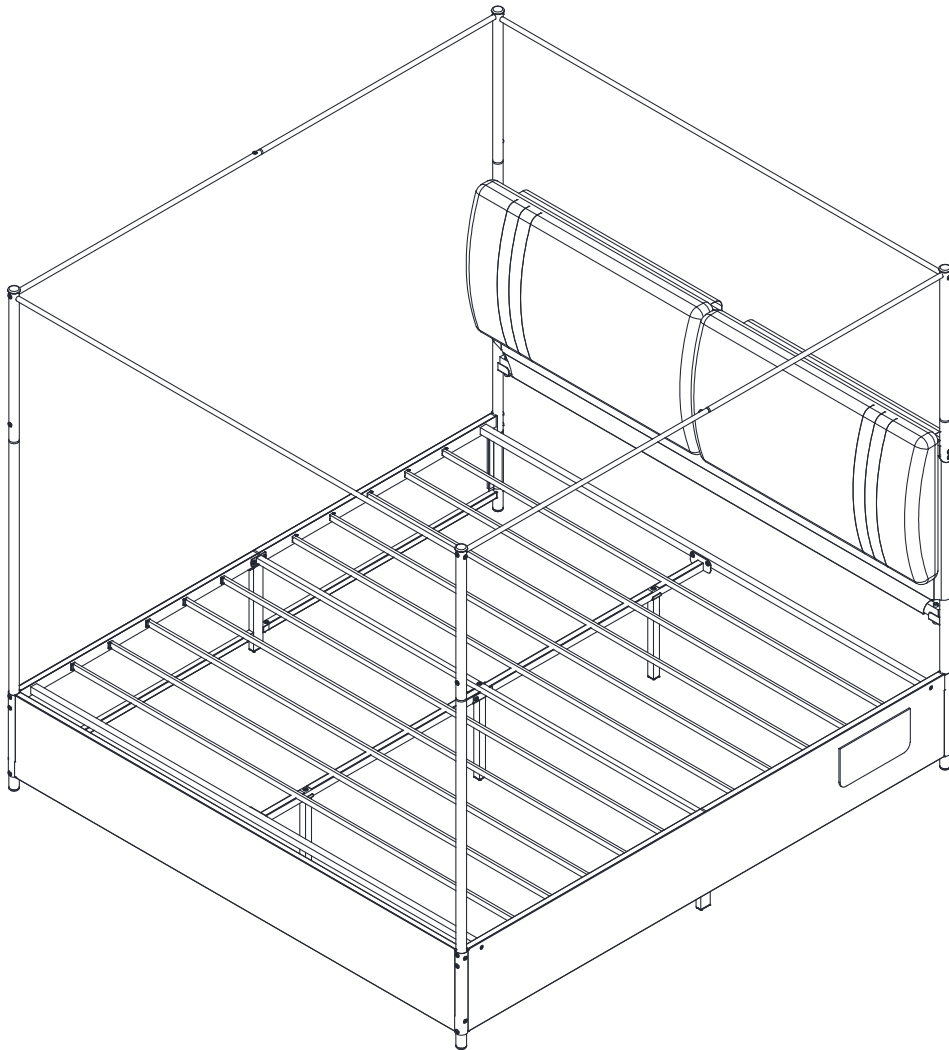
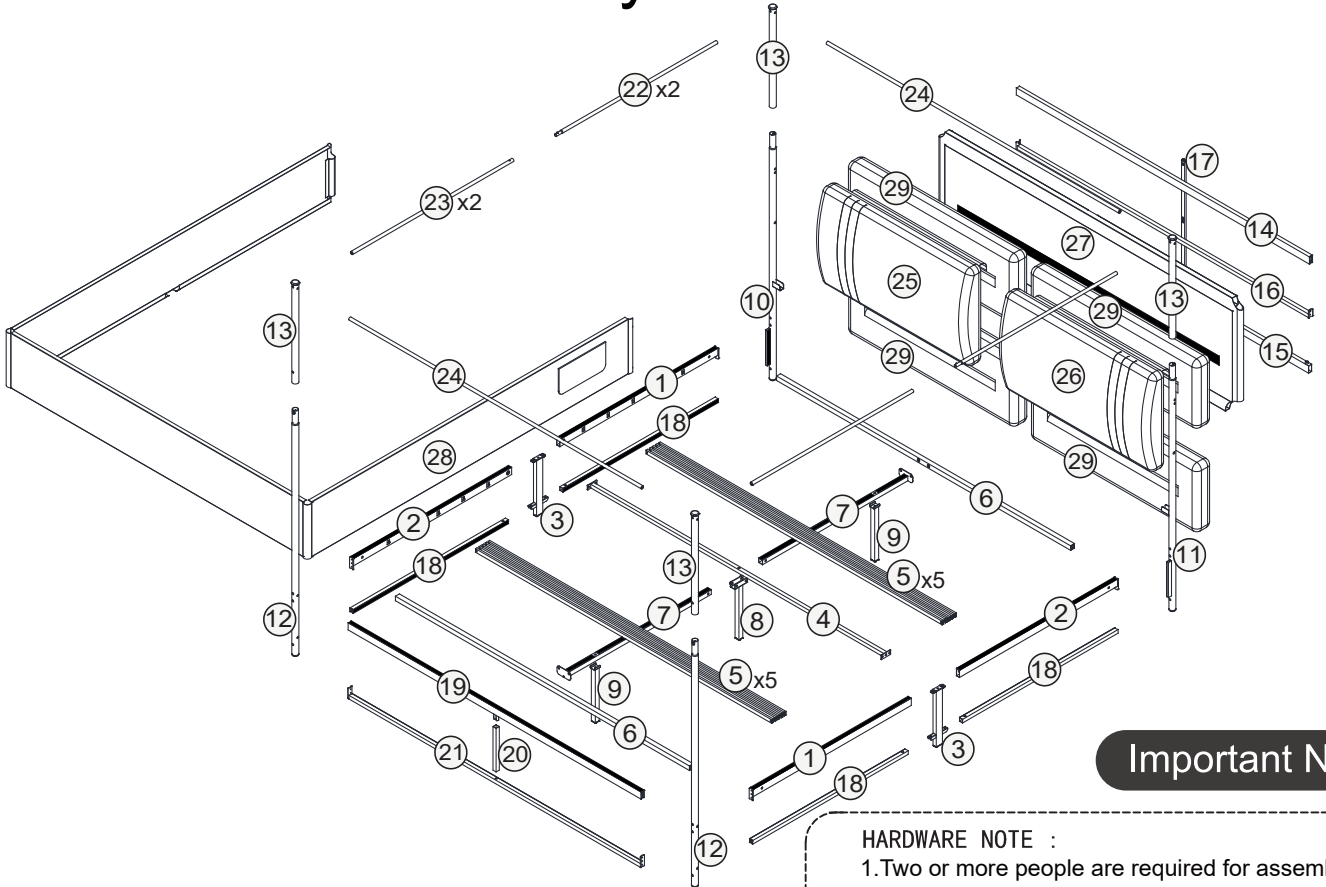


# BED FRAME



Thank you for choosing our products, please assemble and use it following the instructions.





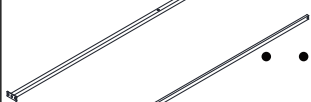




# Assembly Instruction


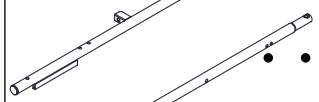
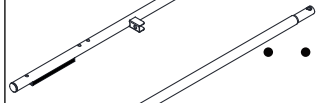




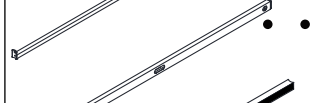




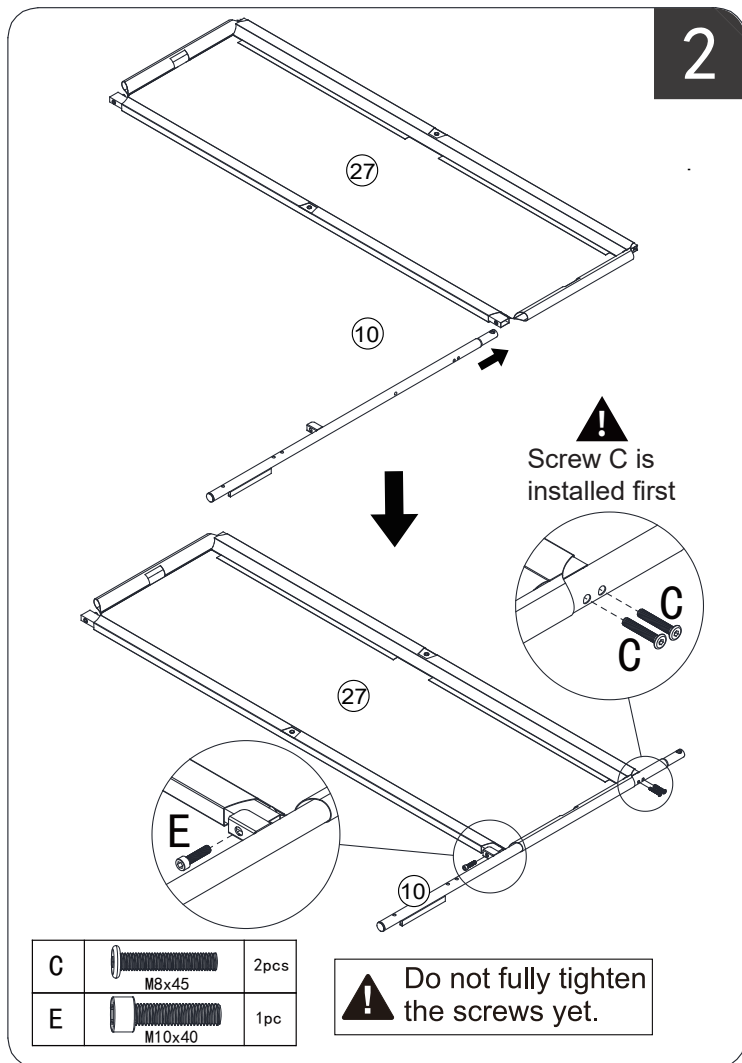
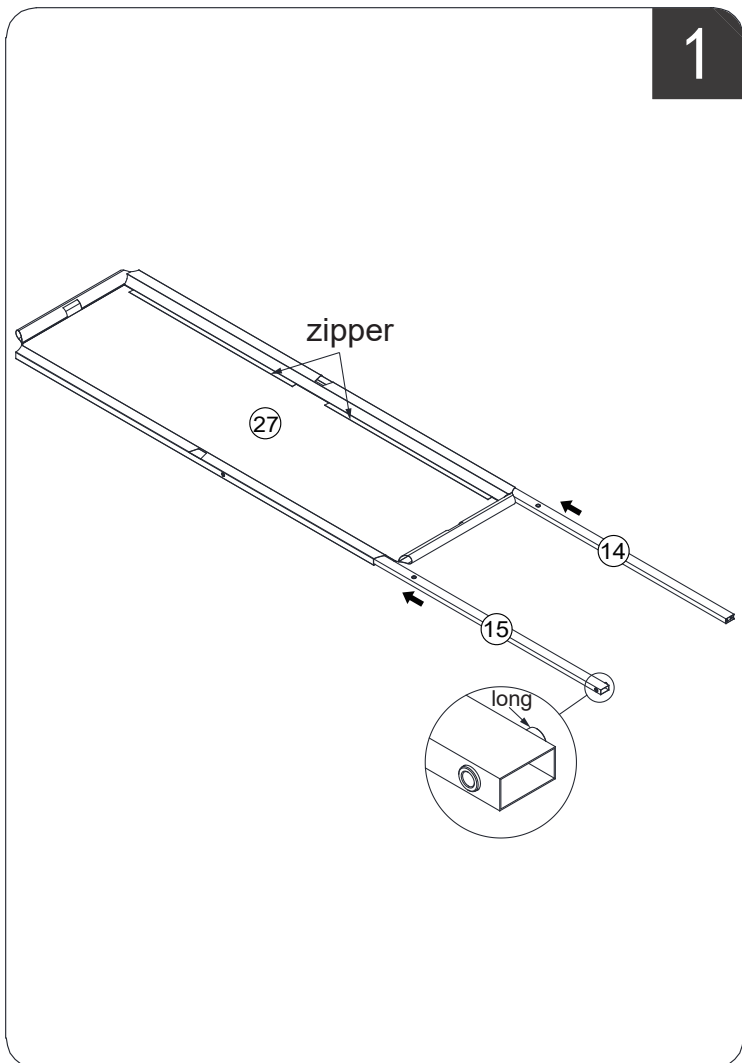
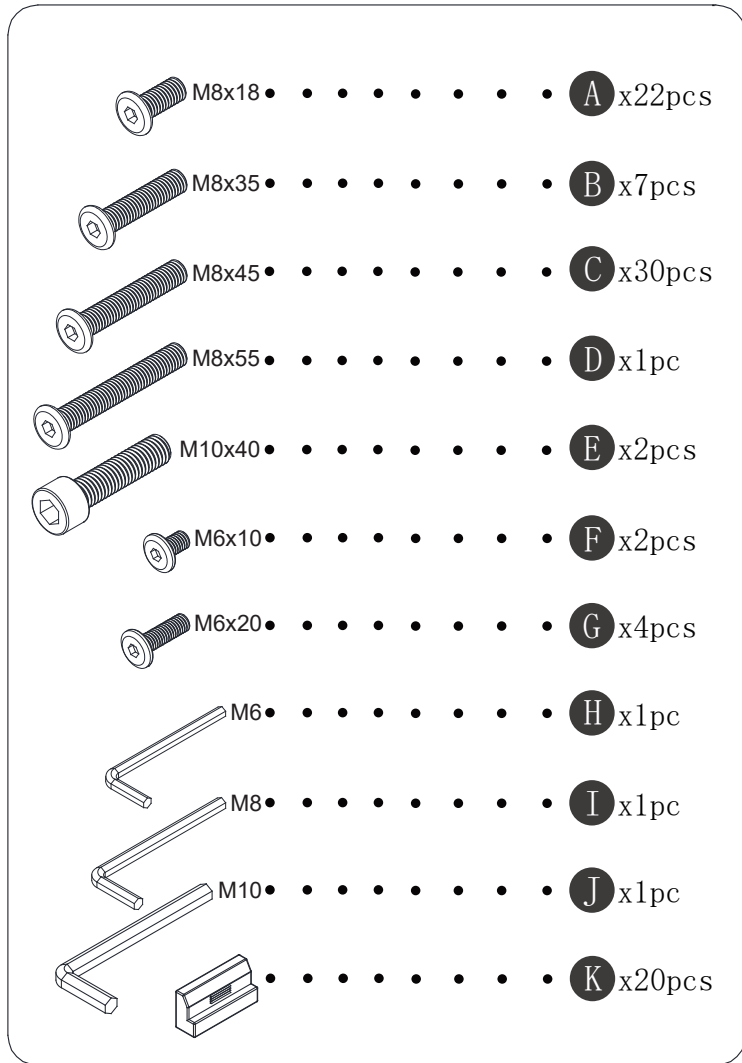
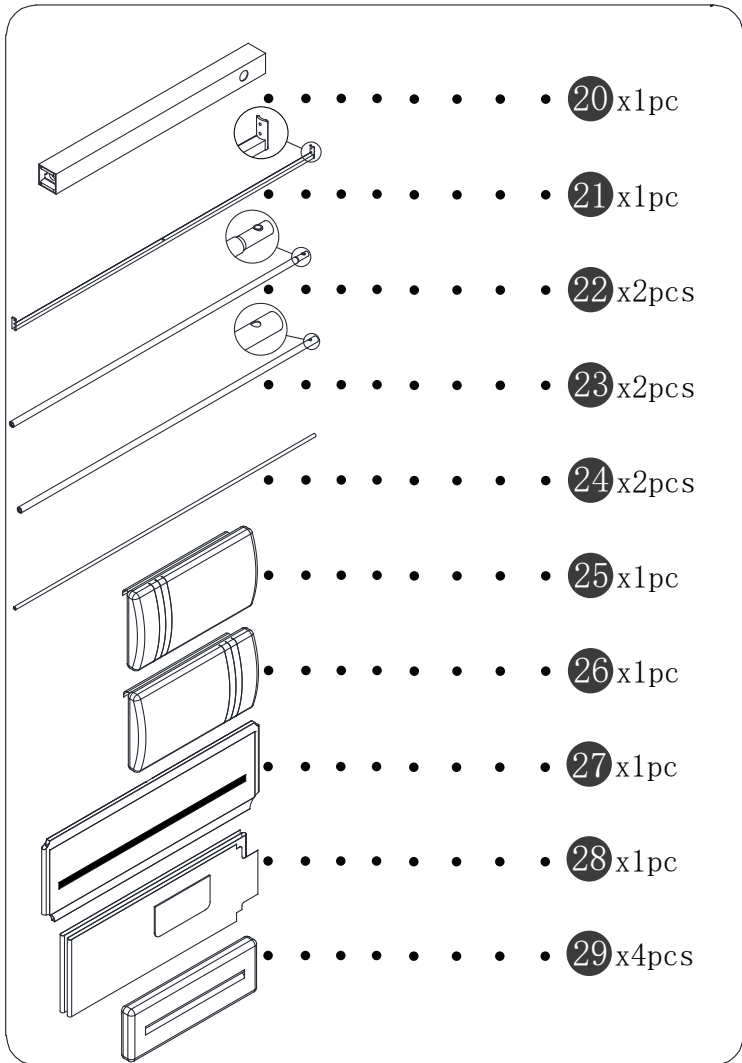
## Important Note

**HARDWARE NOTE :**  
 1. Two or more people are required for assembly  
 2. Do not screw on the bolts too tight unless the installation is done. Make sure all bolts are tightly screwed before you use it.

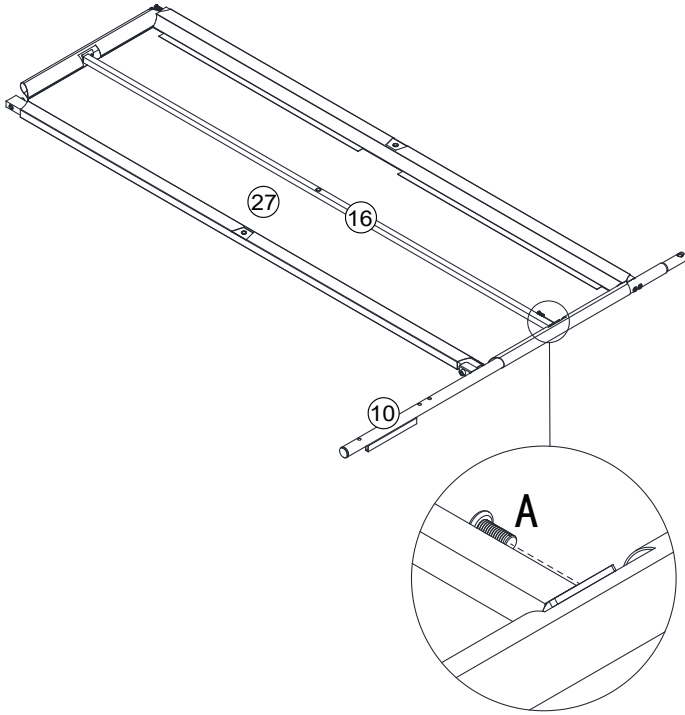
## Components

-  ..... 1 x2pcs
-  ..... 2 x2pcs
-  ..... 3 x2pcs
-  ..... 4 x1pc
-  ..... 5 x10pcs
-  ..... 6 x2pcs
-  ..... 7 x2pcs
-  ..... 8 x1pc
-  ..... 9 x2pcs

-  ..... 10 x1pc
-  ..... 11 x1pc
-  ..... 12 x2pcs
-  ..... 13 x4pcs
-  ..... 14 x1pc
-  ..... 15 x1pc
-  ..... 16 x1pc
-  ..... 17 x1pc
-  ..... 18 x4pcs
-  ..... 19 x1pc



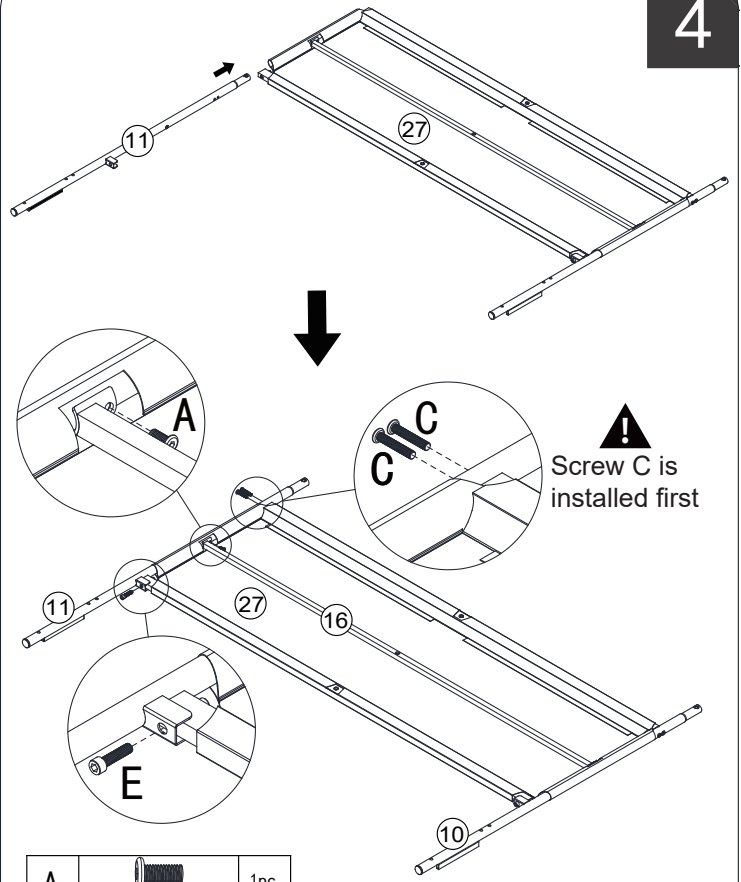
3






**!** Do not fully tighten the screws yet.

A		1pc
M8x18		

4

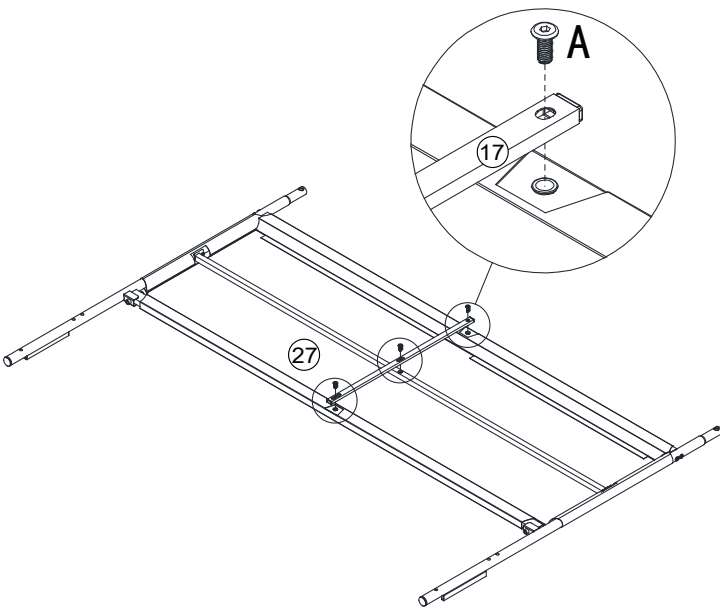


**!** Screw C is installed first

A		1pc
M8x18		
C		2pcs
M8x45		
E		1pc
M10x40		

**!** Fully tighten all the screws.

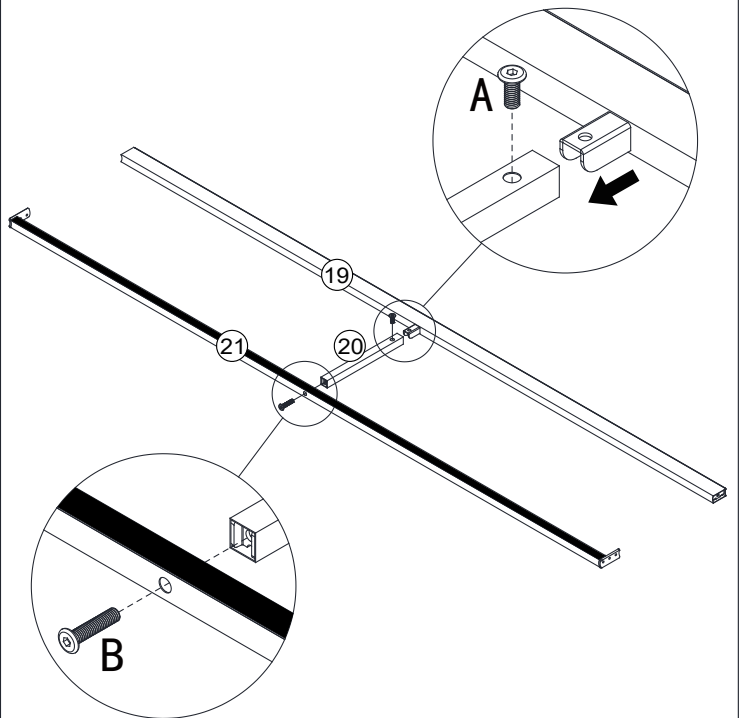
5





**!** Fully tighten all the screws.

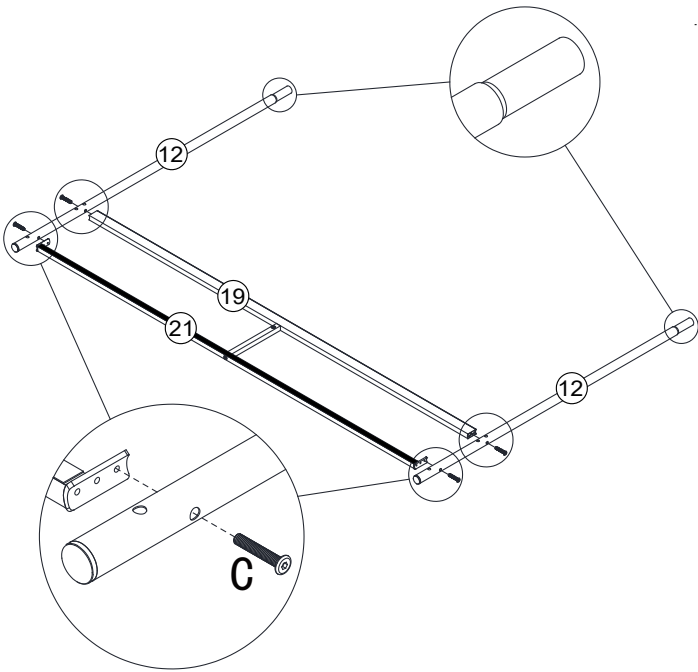
A		3pcs
M8x18		

6



A		1pc
M8x18		
B		1pc
M8x35		

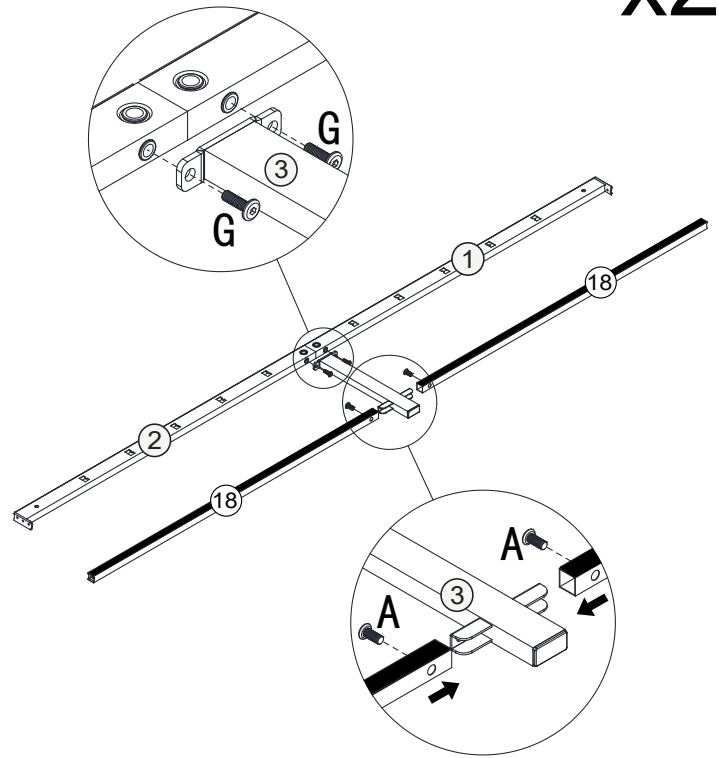
7





C		M8x45	4pcs
---	---	-------	------

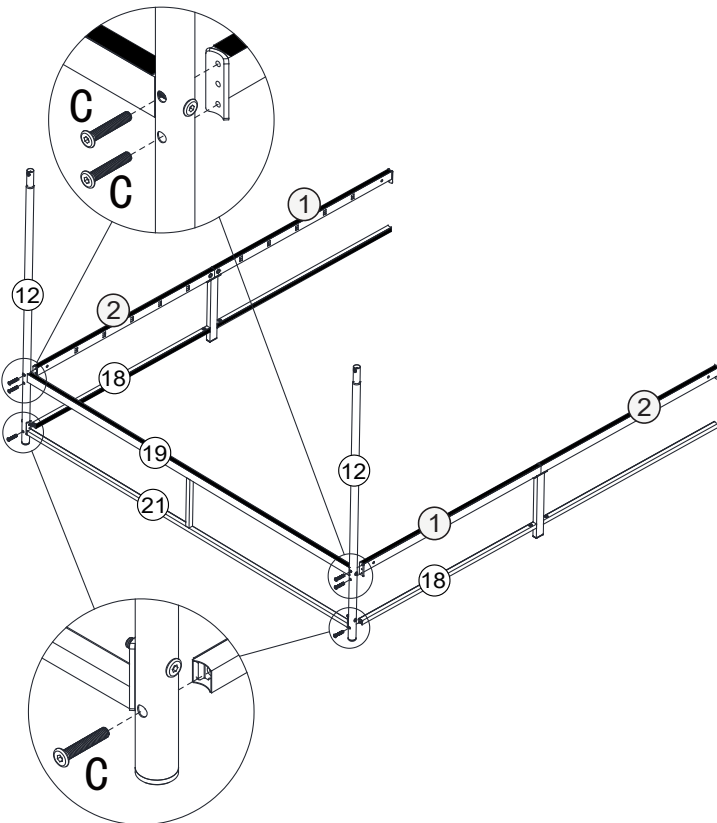
8


x2



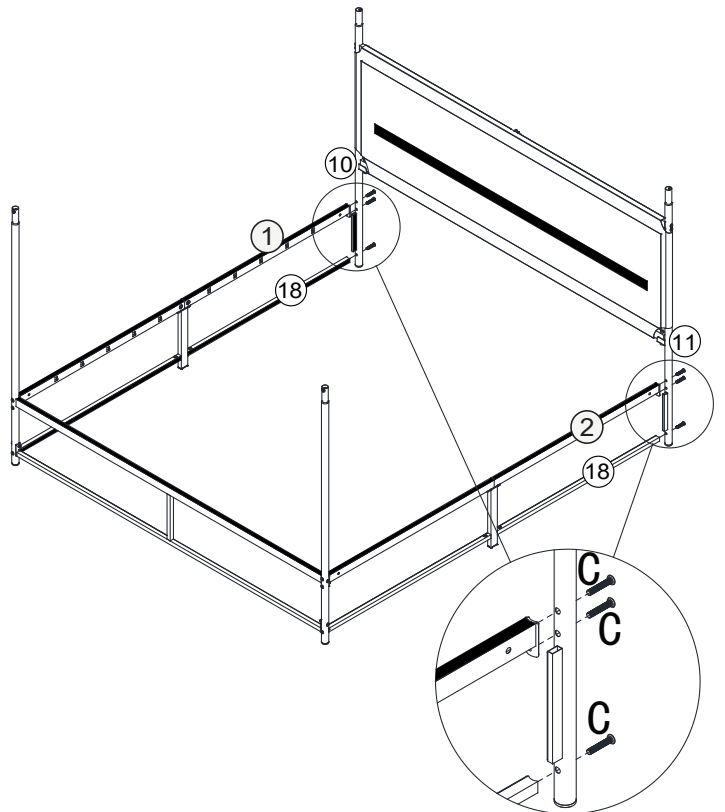
A		M8x18	4pcs
G		M6x20	4pcs


9



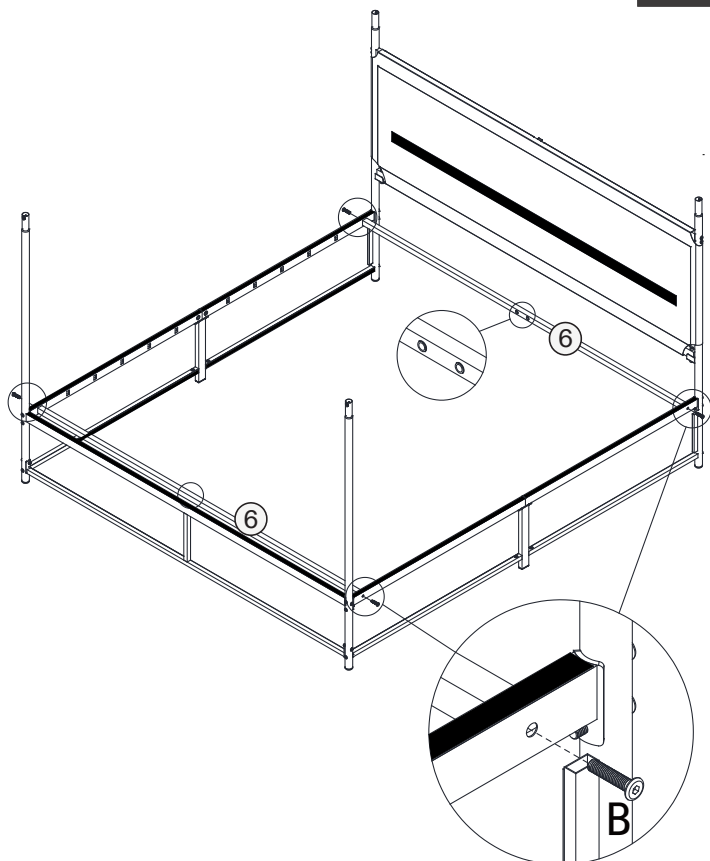
C		M8x45	6pcs
---	---	-------	------


10



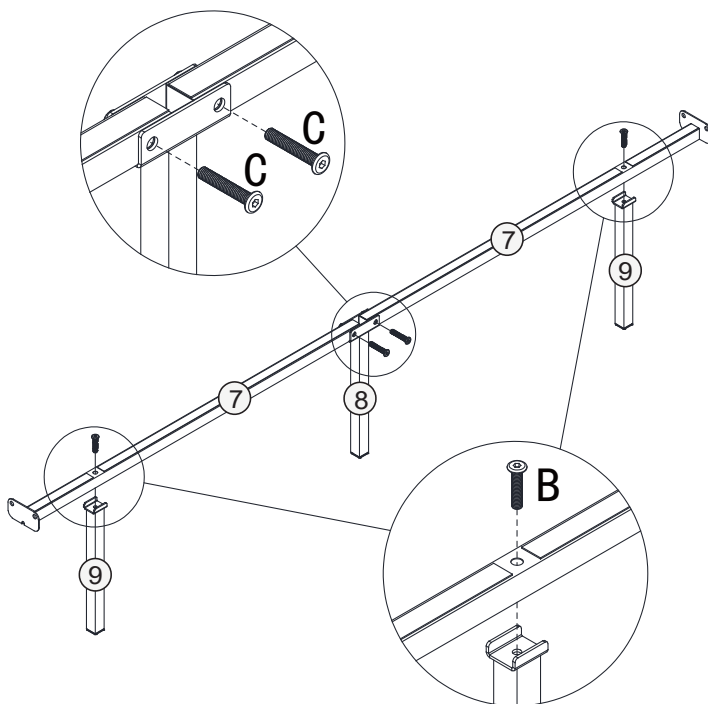
C		M8x45	6pcs
---	---	-------	------



11



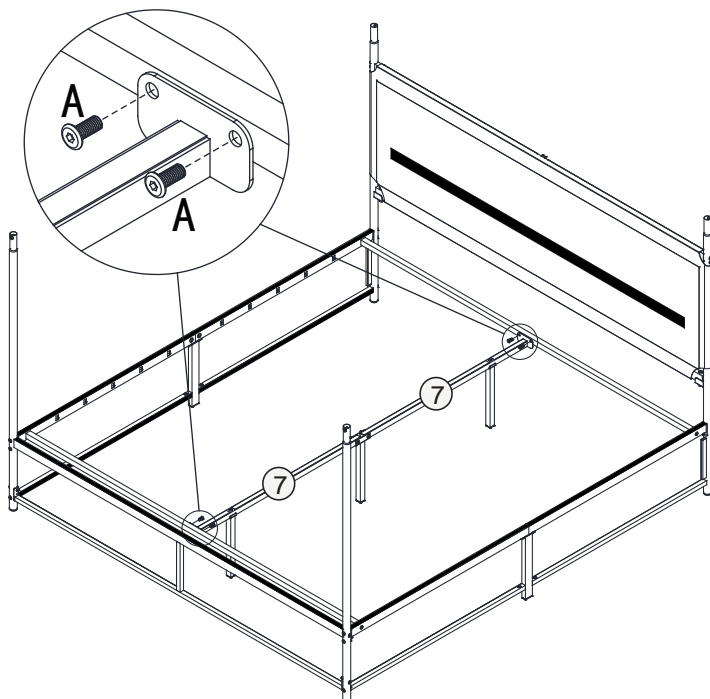
B		4pcs
	M8x35	

12



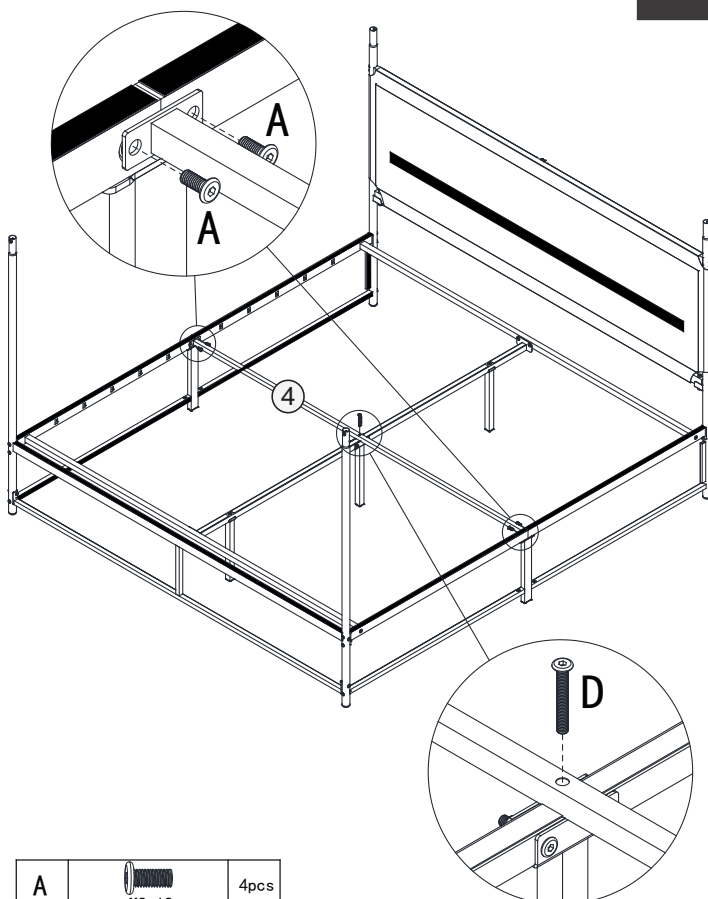
B		2pcs
	M8x35	
C		2pcs
	M8x45	



13



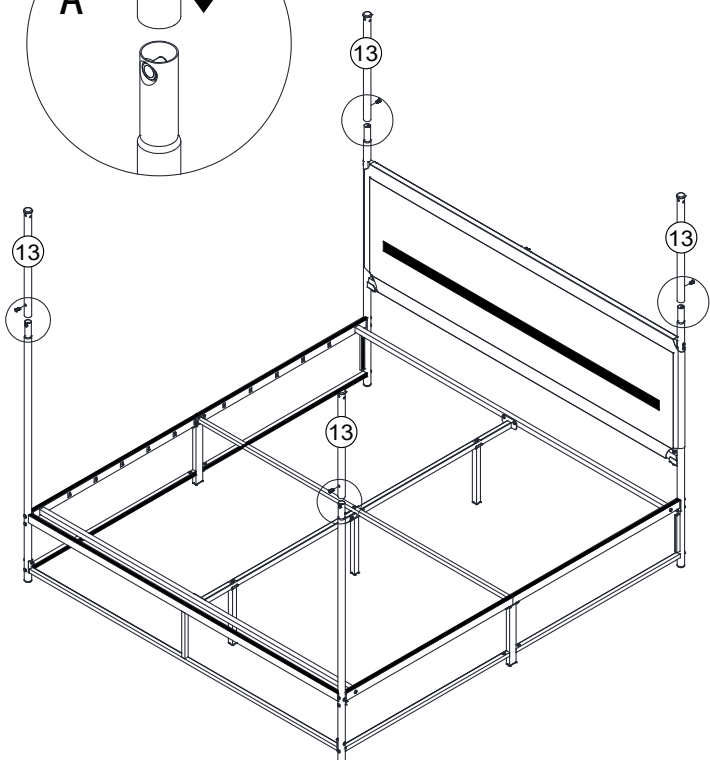
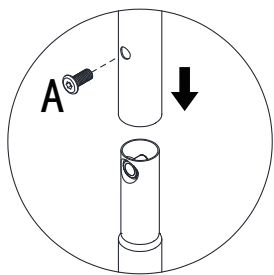
A		4pcs
	M8x18	

14



A		4pcs
	M8x18	
D		1pc
	M8x55	

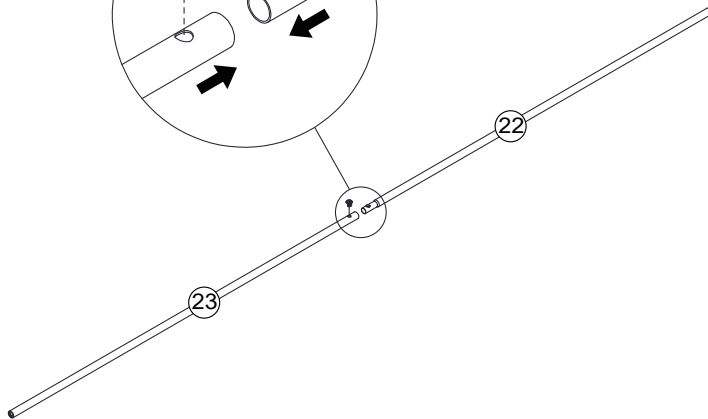
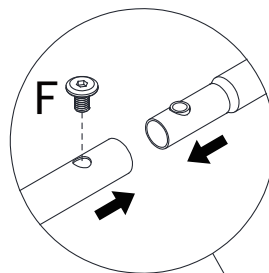
15




A		M8x18	4pcs
---	---	-------	------

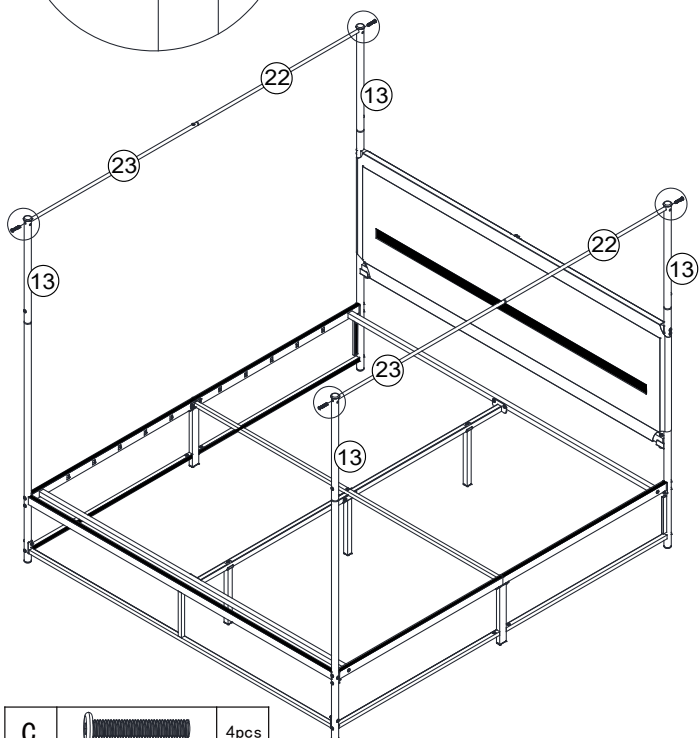
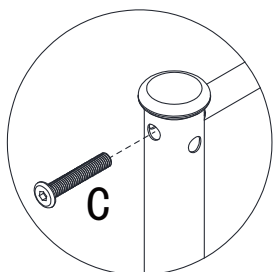
16


x2



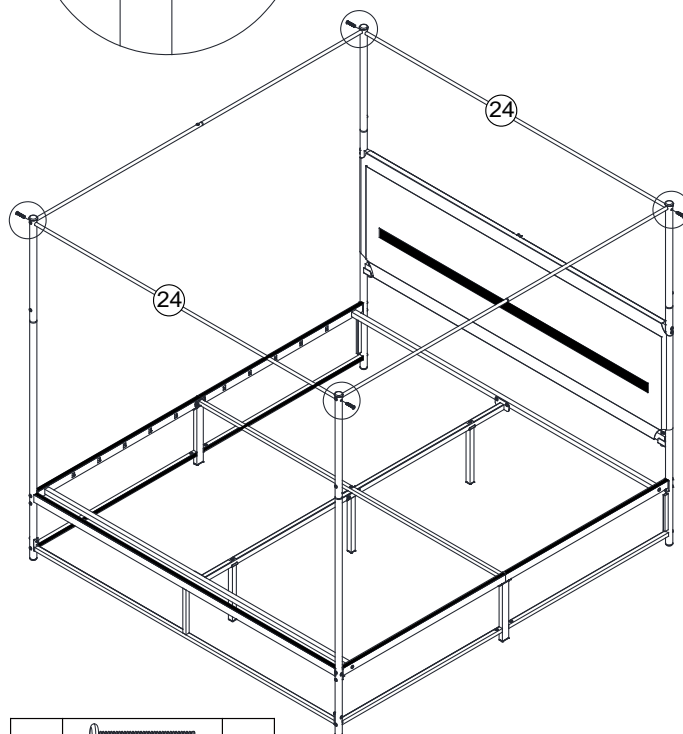
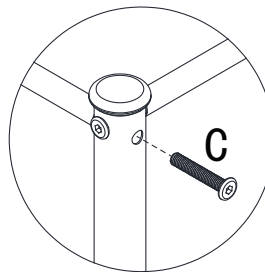
F		M6x10	2pcs
---	--	-------	------


17



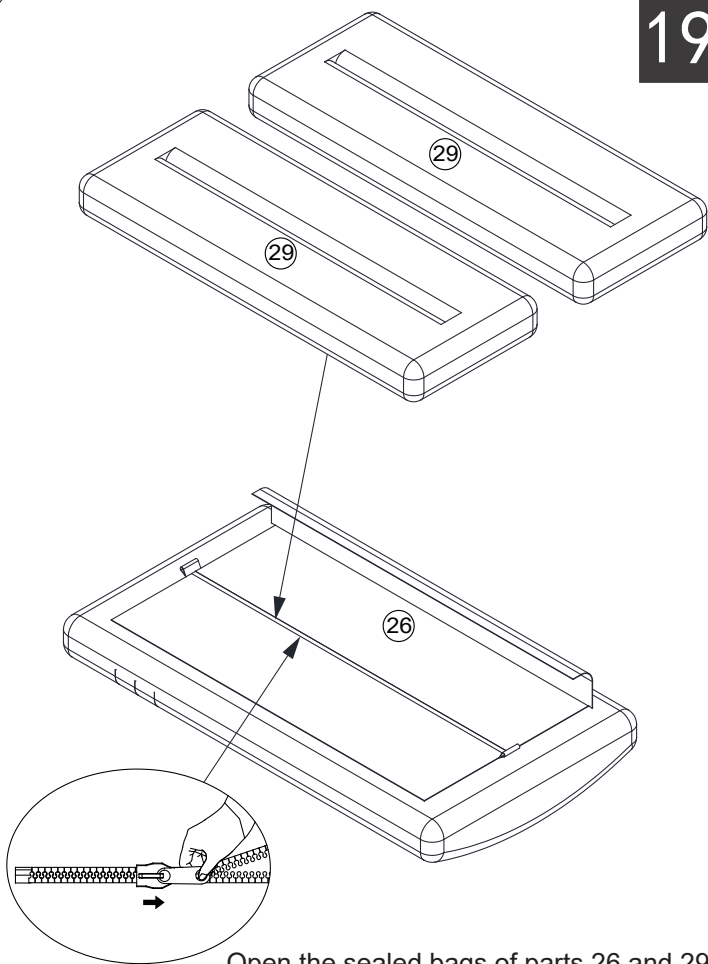
C		M8x45	4pcs
---	---	-------	------

18



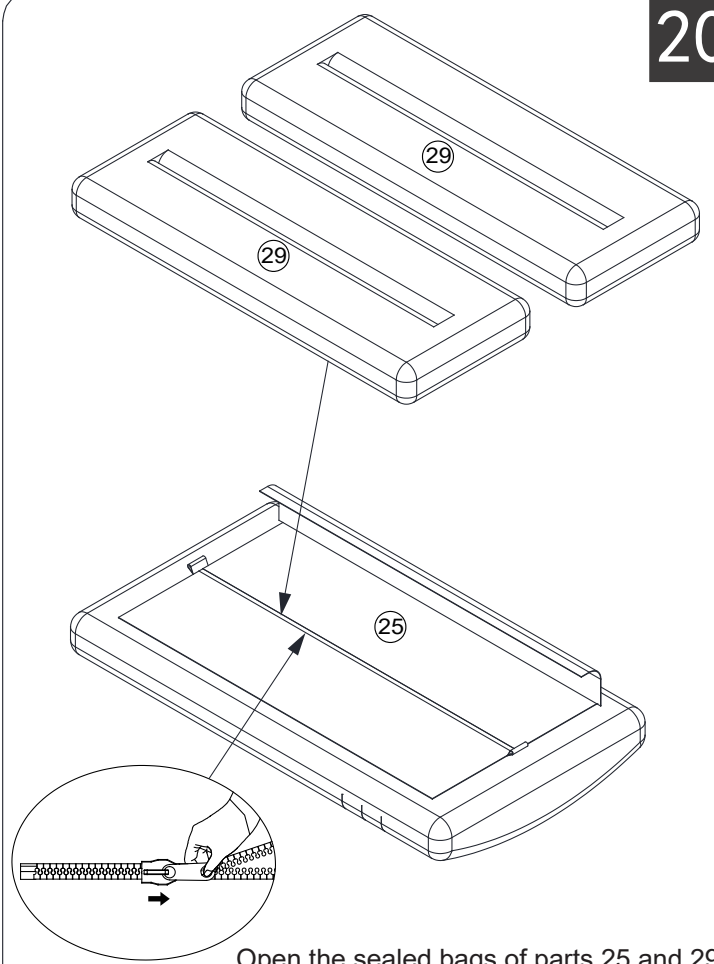
C		M8x45	4pcs
---	--	-------	------

19



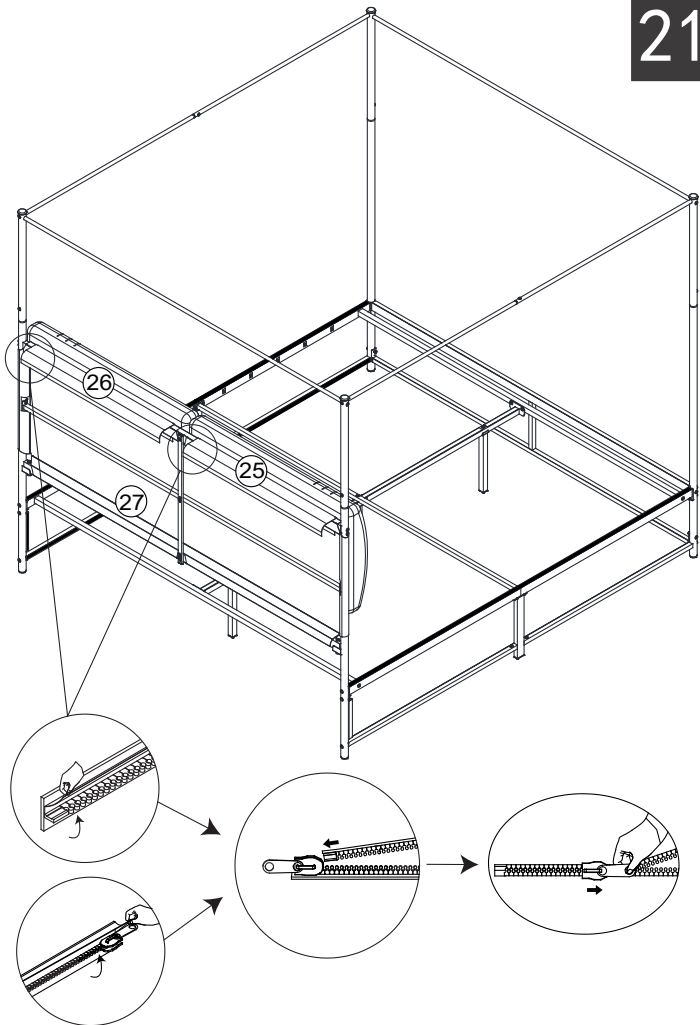
Open the sealed bags of parts 26 and 29, put parts 29 in turn into parts 26, and finally tighten the zipper.

20

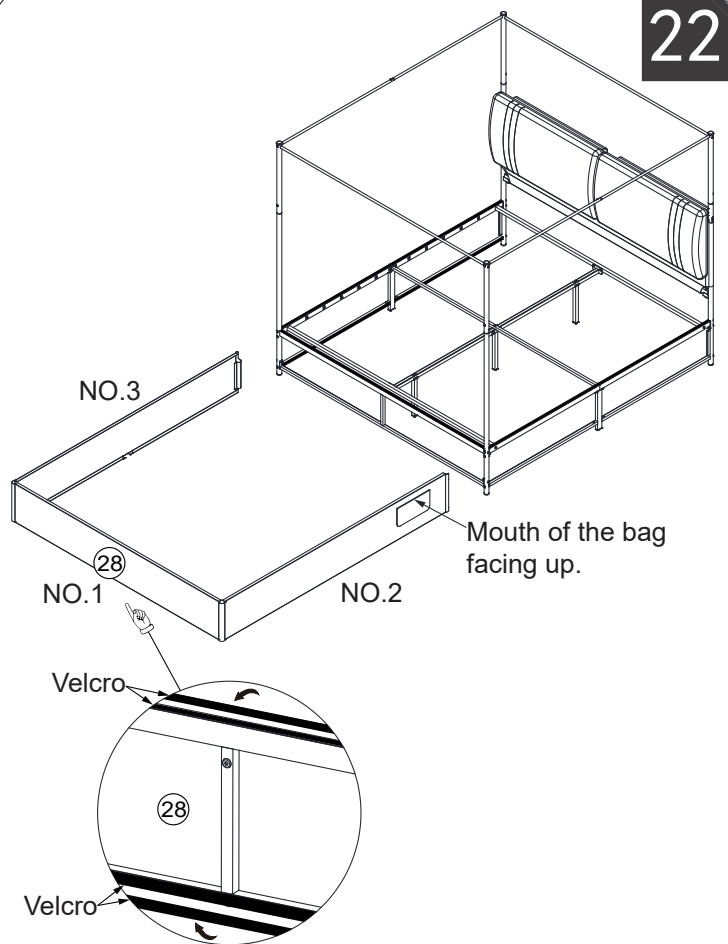


Open the sealed bags of parts 25 and 29, put parts 29 in turn into parts 25, and finally tighten the zipper.

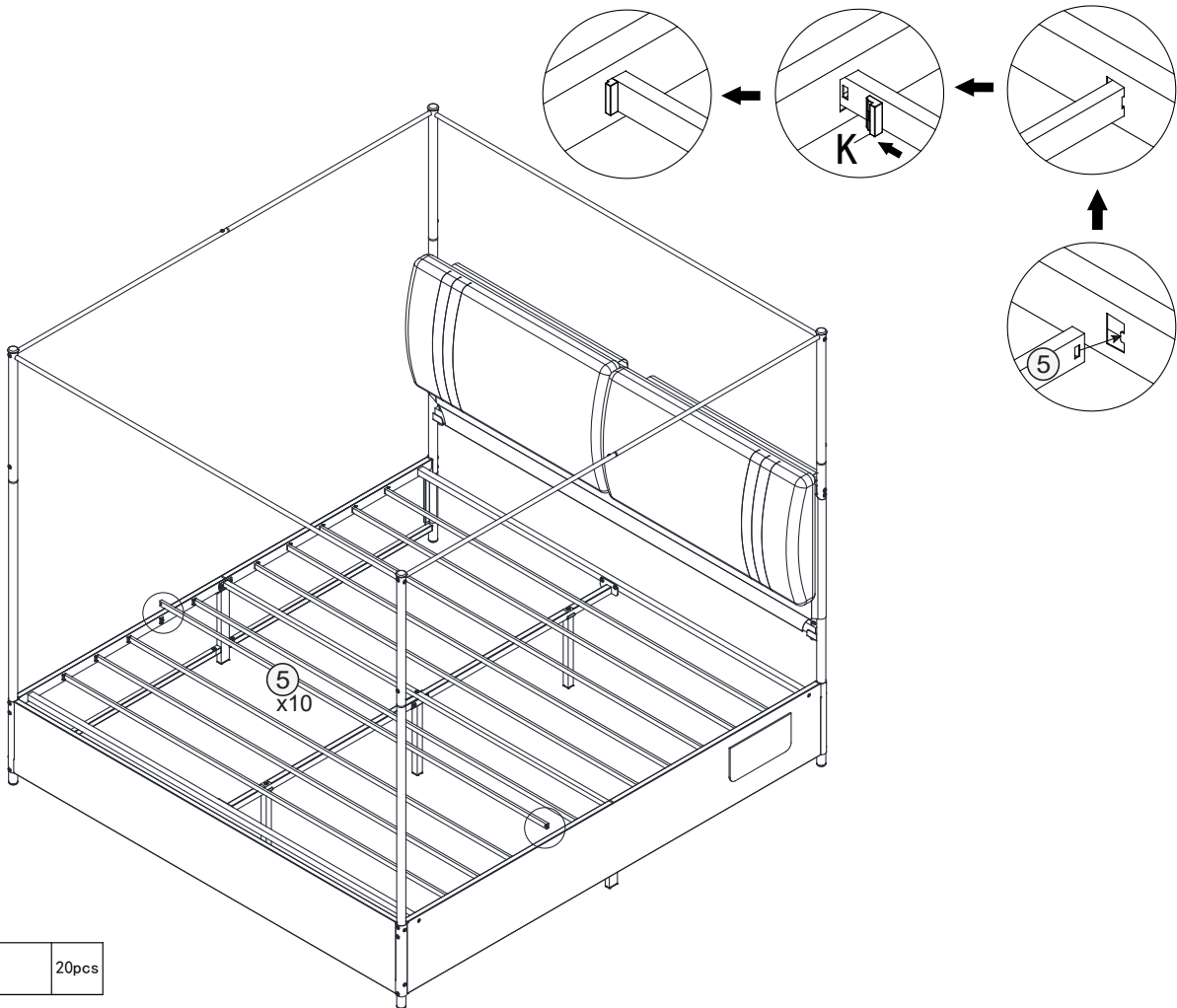
21



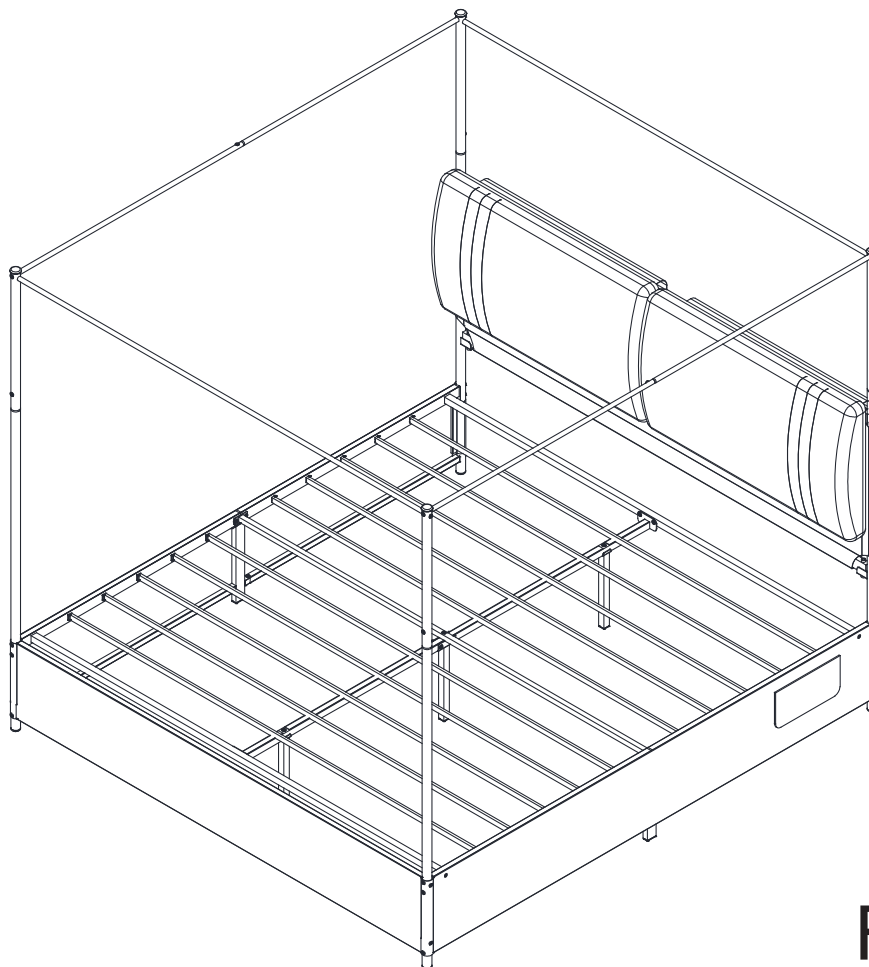
22



Attach part 28 to Velcro from top to bottom in the order shown in the drawing.



K		20pcs
---	---	-------



Finish