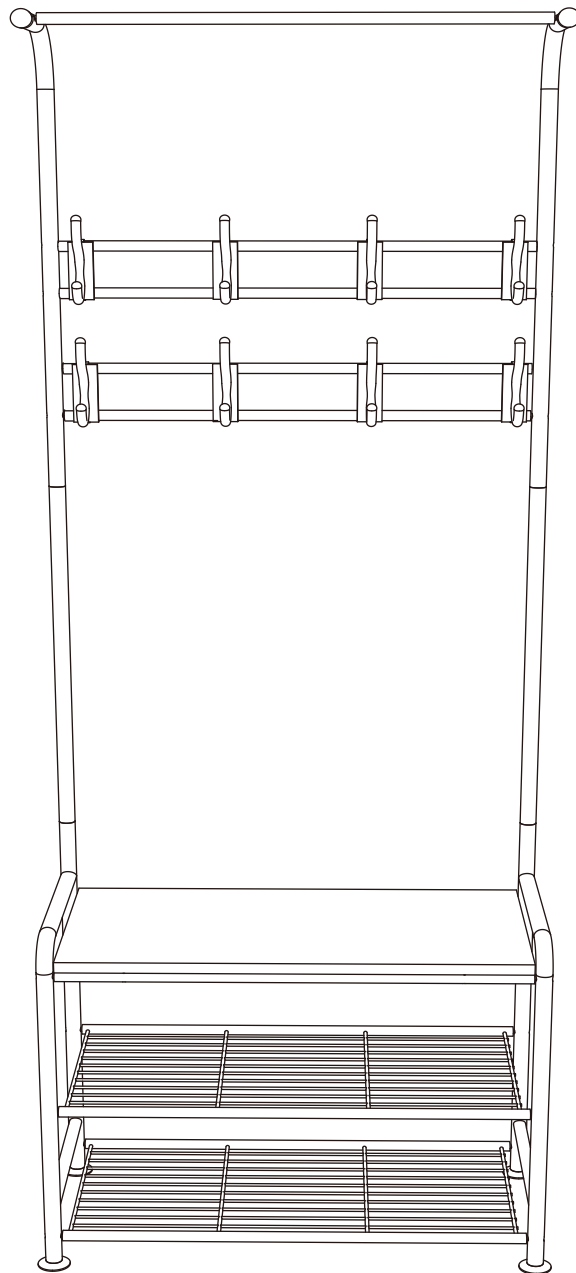


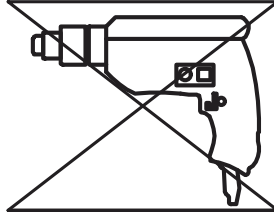
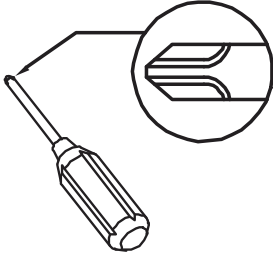
ASSEMBLY INSTRUCTION



YOU NEED

Tools required

A Phillips screwdriver is required for the assembly of this product. (not included)
Electric tool should not be used to assemble this product.



Technical Specifications	
Material	iron+PB board
Colour	black
Max weight capacity	220 lbs

Tips!



1. Check all the components & screws are intact before assembling the coat rack.
2. If you notice any pieces are missing or damaged please do not assemble and contact us immediately .
3. Send an email with your question/issue, and we will respond within 24 hours.

IMPORTANT SAFETY INFORMATION

Please read the instructions below before assembling that you install, use and maintain the product properly.

Following this guide will ensure

- Please keep this installation and user manual/instructions for future reference in case you need to assemble the product.
- Do not assemble if you notice serious damage such as cracks or bends.
- During installation, please use work gloves for hand safety.
- Please assemble the unit on carpeted floor or the flat cardboard box to avoid scratching the surface or your floor while assembling on the floor.
- Pay more attention to the direction of components at each steps.
- Please do not tighten the screws up too much, just to 80% before you finish to make the installation go on successfully.

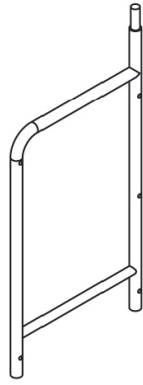
RETURN POLICY

We believe you will absolutely love your new coat rack. But for some reason you want to return your item, please contact us within 30 days after receiving and ensure coat rack is in a good condition in the original box with all original certificates of purchase, manuals and accessories attached.

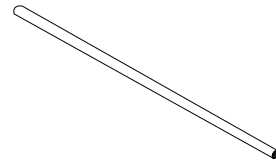
HOW TO MAINTAIN

- Do not use sharp instruments, rubbing alcohol, corrosive chemicals, or abrasive cleaners to clean the coat rack.
- Do not keep the coat rack in a damp environment for a long period of time. The damp environment may cause the iron components to rust and the plates to bulge and crack.

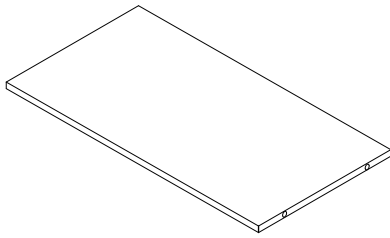
①*2



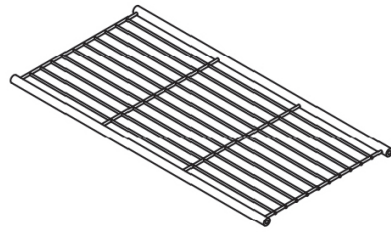
②*2



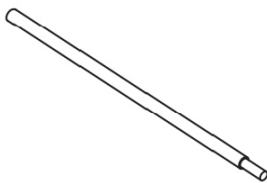
③*1



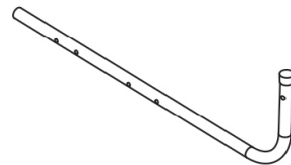
④*2



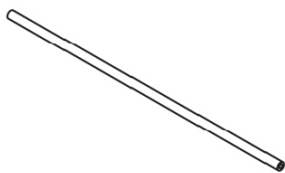
⑤*2



⑥*2



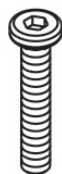
⑦*5



⑧*8



Ⓐ x4



Ⓑ x26



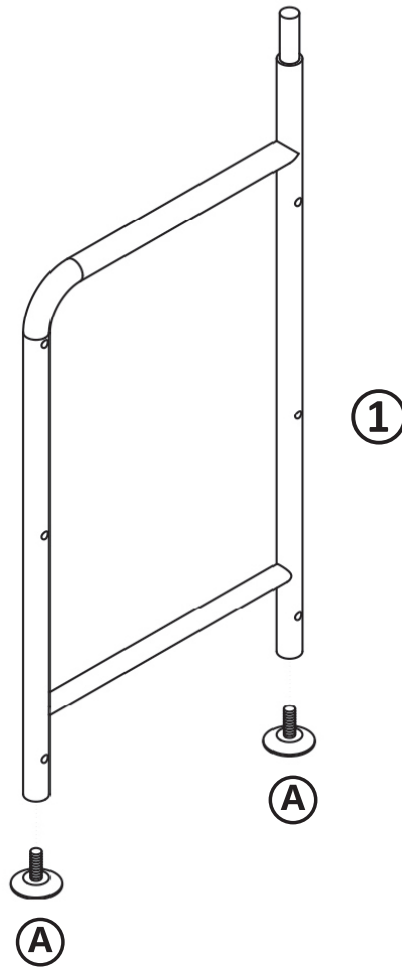
Ⓒ x4



ALLEN WRENCH

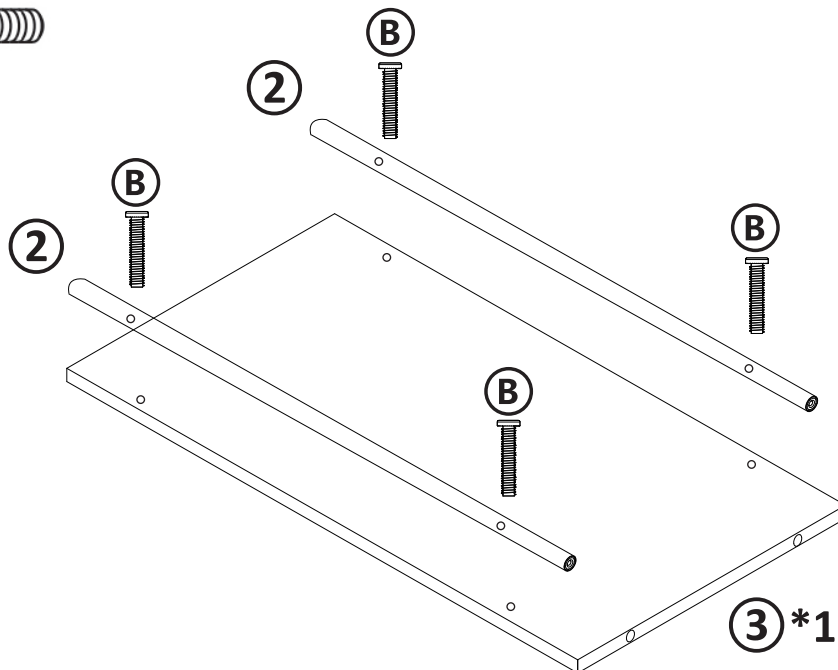
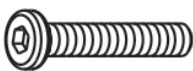
STEP 1: Repeat x2

Ⓐ
x4



STEP 2:

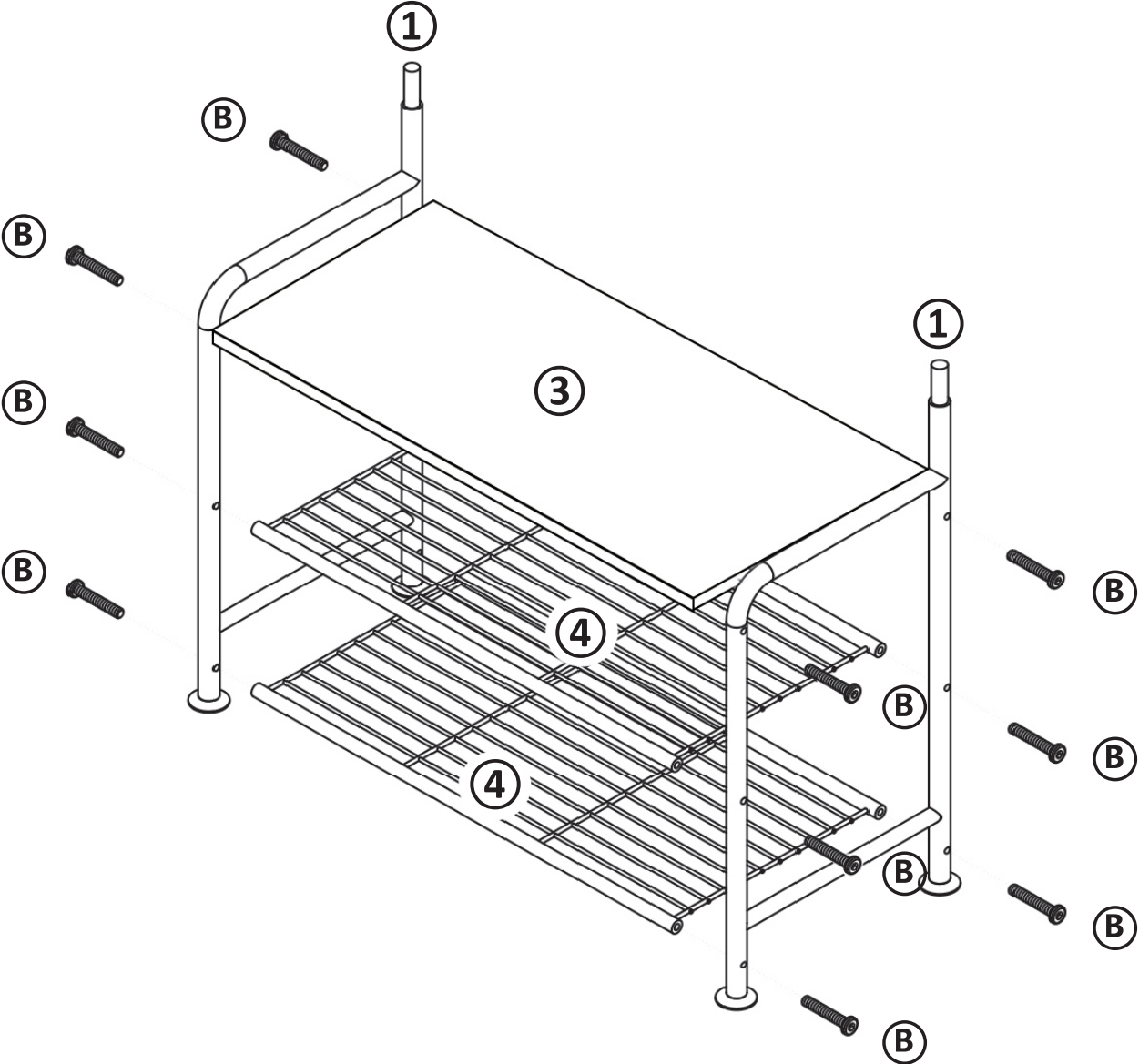
Ⓑ
x4



STEP 3:

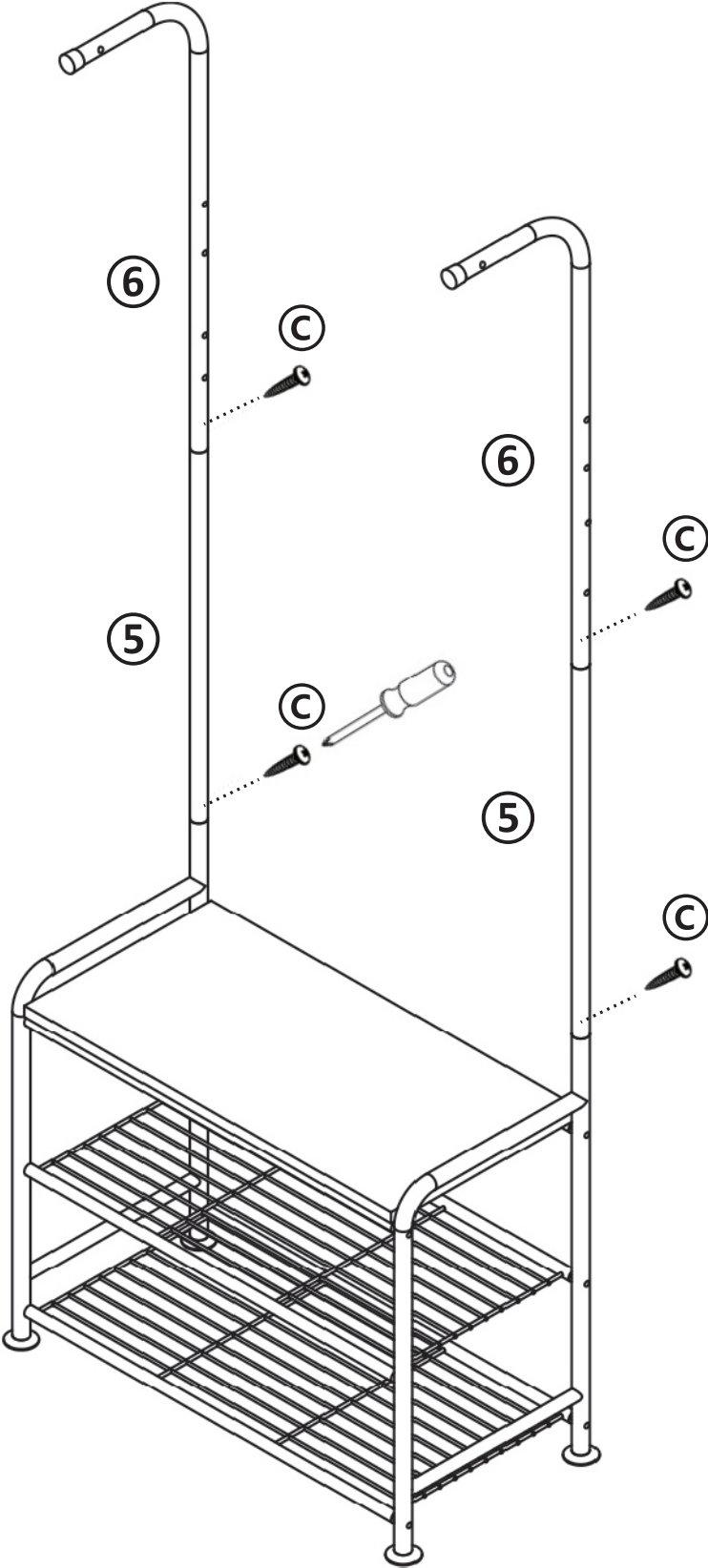
(B)

x12



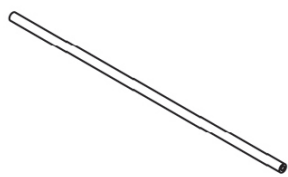
STEP 4:

Ⓒ
x4

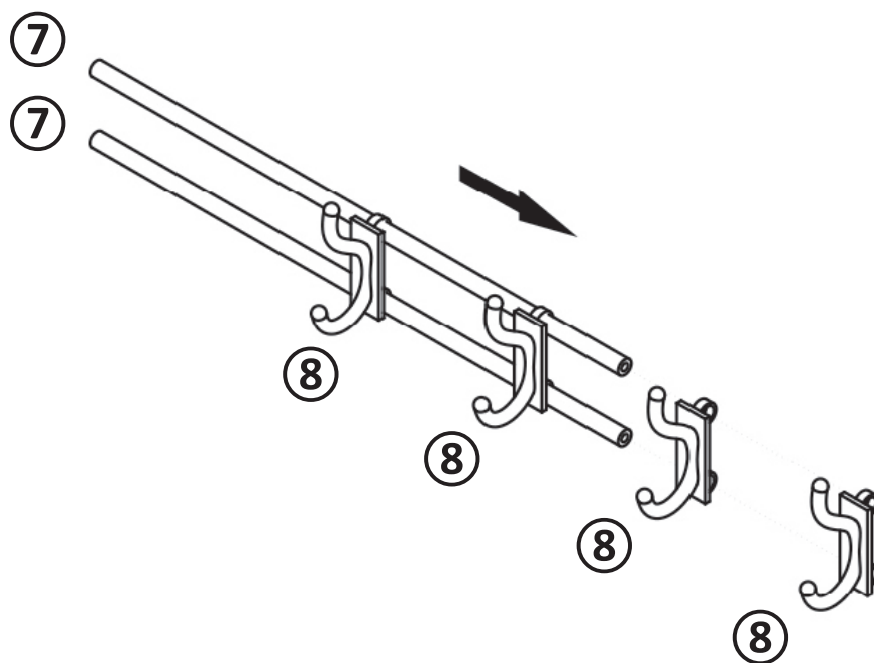


STEP 5: Repeat x2

⑦*2



⑧*4



STEP 6:

(B)
x10

