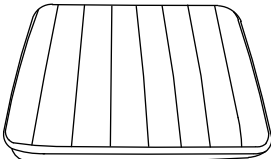
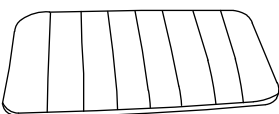
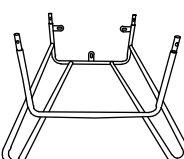
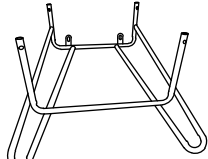
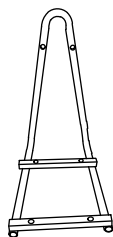




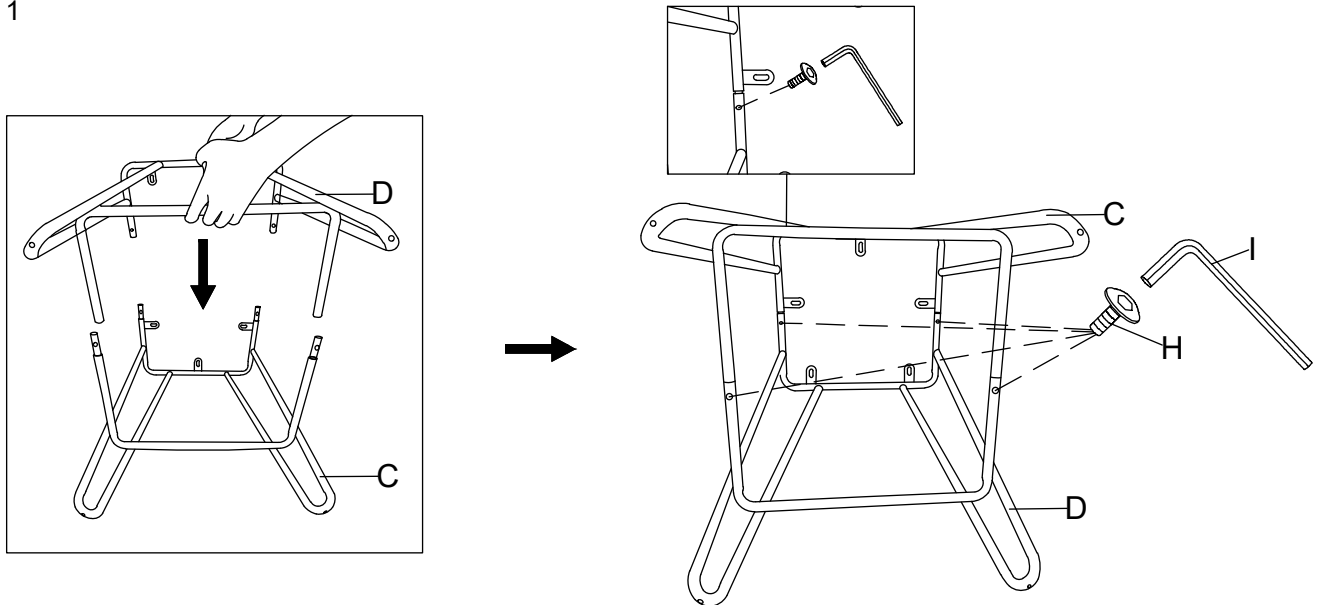


# Assembly Instruction

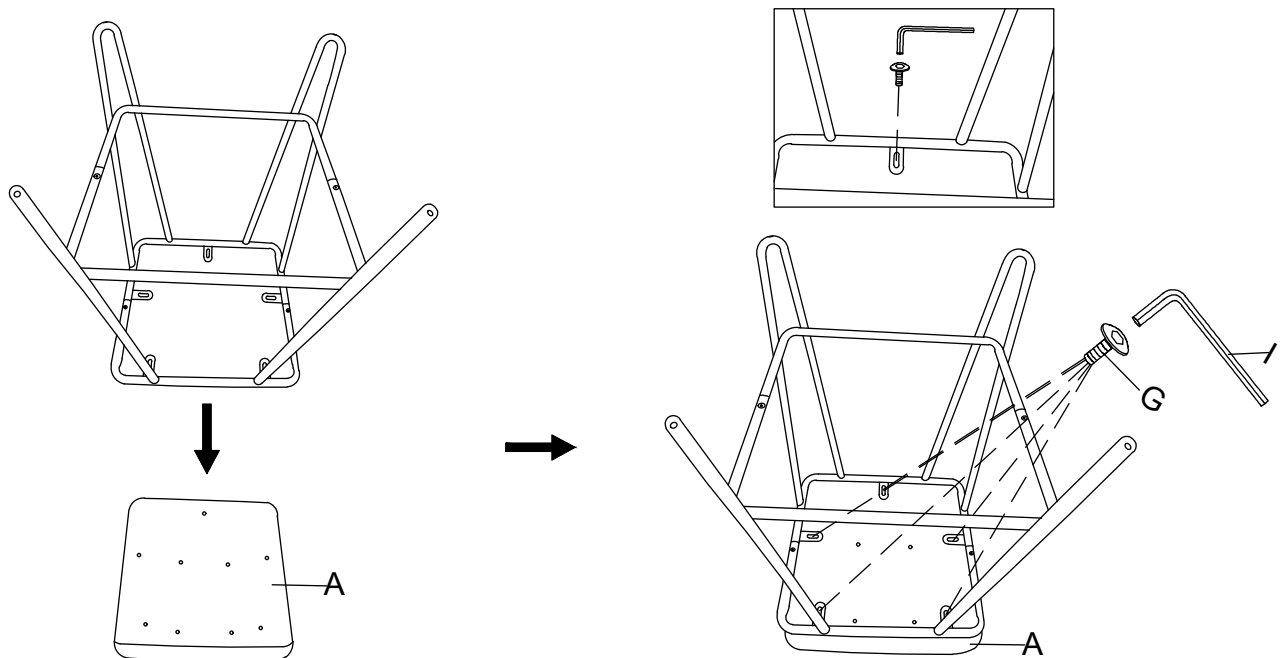
## PART LIST

Ax1 	Bx1 	Cx1 	Dx1 	
Ex1 	Fx6  M6*30mm screw	Gx5  M6*16mm screw	Hx4  M6*12mm screw	Ix1  Wrench

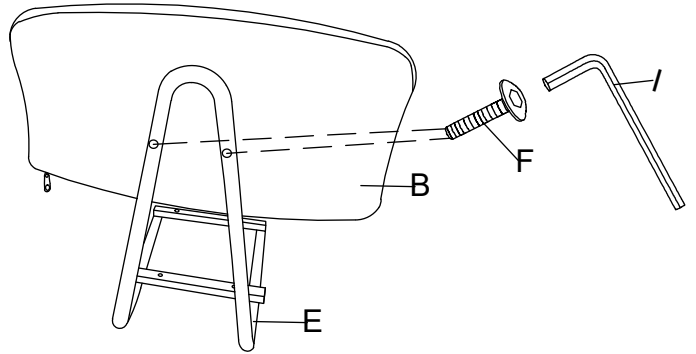
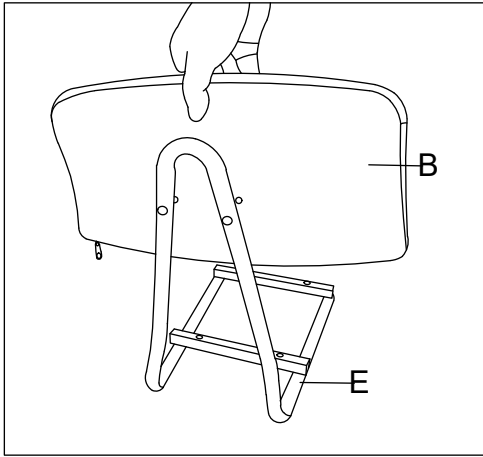
### Step 1



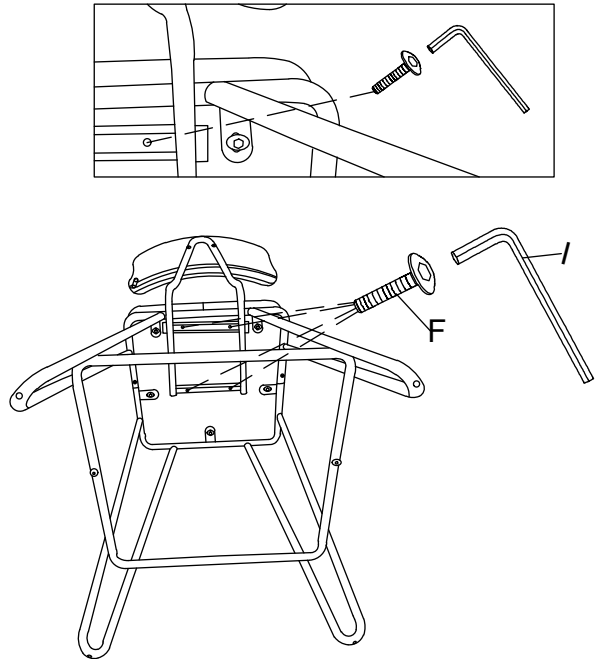
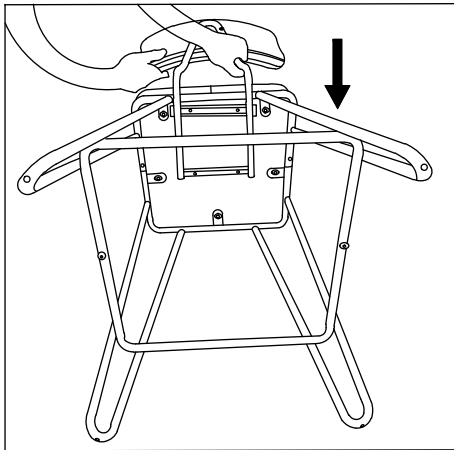
### Step 2



Step 3



Step 4



Step 5

