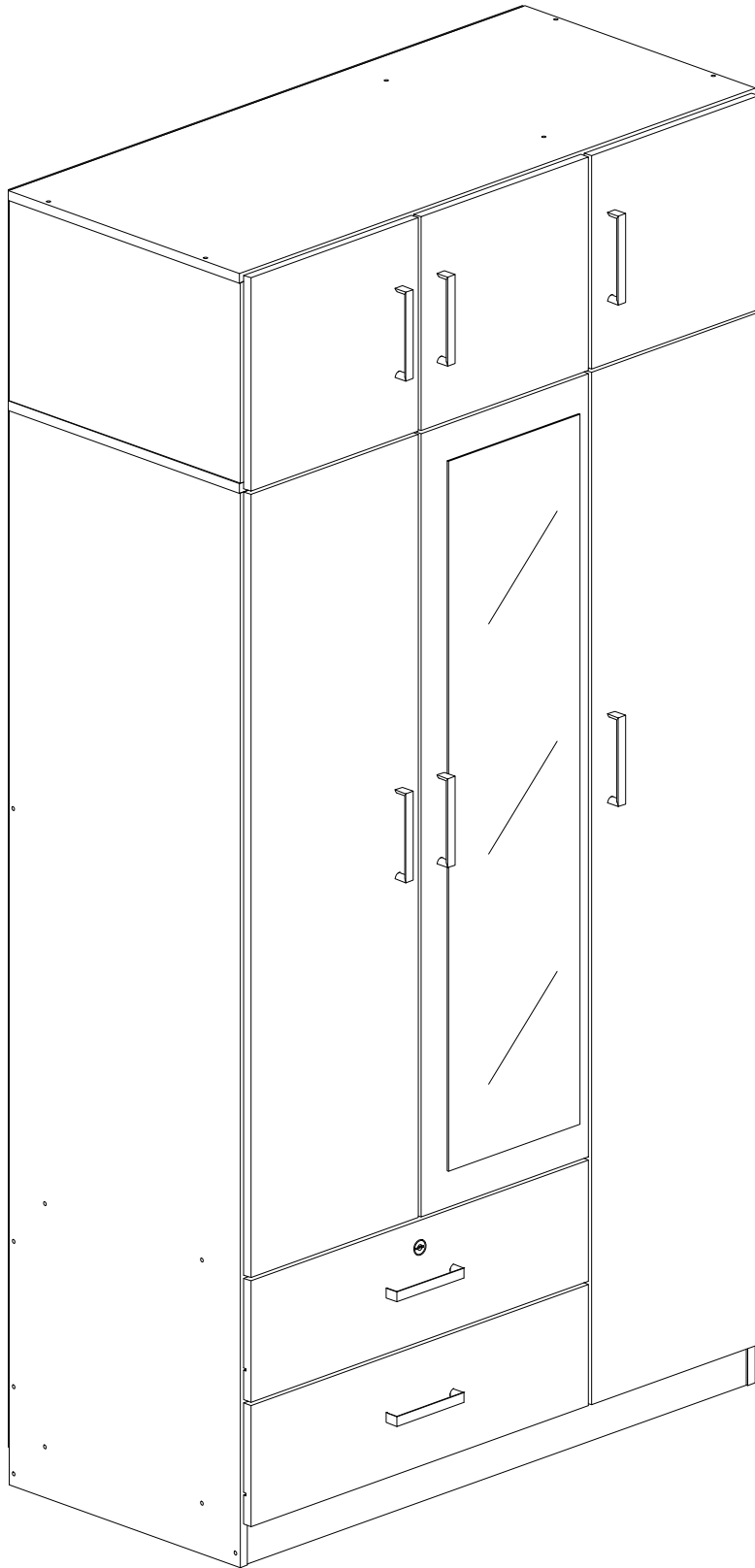
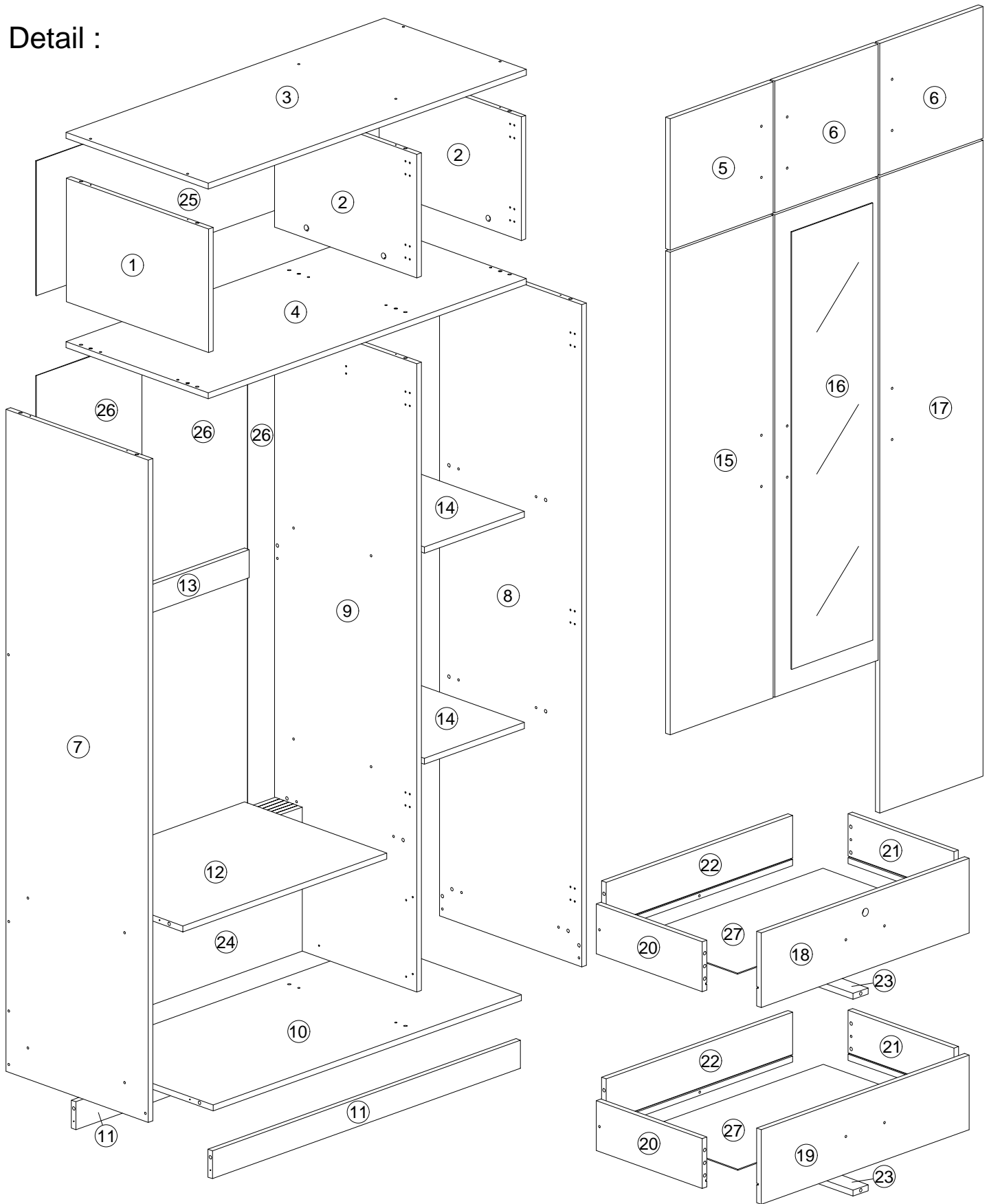


Assembly Instruction



Assembly Instruction

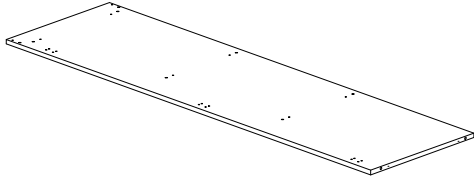
Detail :



Assembly Instruction

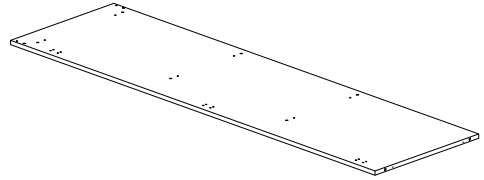
Part List

⑦ X 1



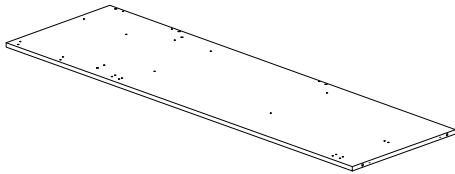
Side Panel Left - Down

⑧ X 1



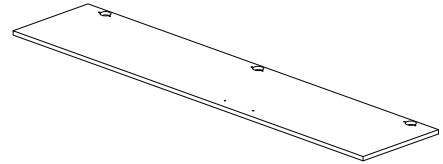
Side Panel Right - Down

⑨ X 1



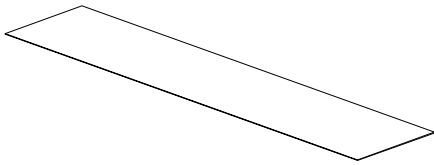
Center Panel - Down

⑰ X 1



Door Panel Big Right - Down

⑳ X 3

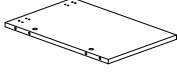


Back Panel - Down

Assembly Instruction

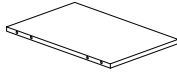
Part List

① X 1



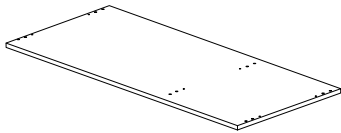
Side Panel Left - Up

② X 2



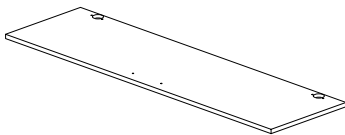
Side Panel Center Right - Up

④ X 1



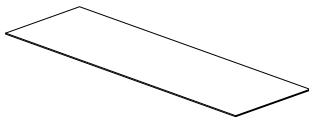
Top Partition Panel - Up

⑮ X 1



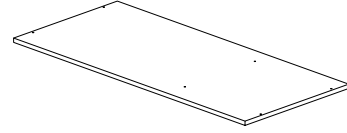
Door Panel Left Small - Down

⑳ X 1



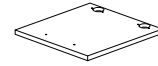
Back Panel - Up

③ X 1



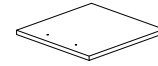
Top Panel - Up

⑤ X 1



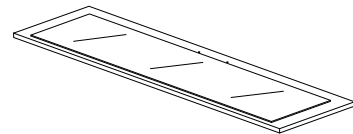
Door Panel Left Small - Up

⑥ X 2



Door Panel Right Small - Up

⑯ X 1

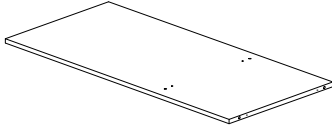


Door Panel Right Small - Down

Assembly Instruction

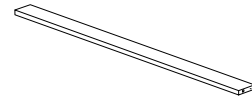
Part List

⑩ X 1



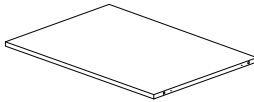
Bottom Panel - Down

⑪ X 2



Bottom Support Panel - Down

⑫ X 1



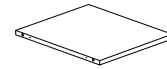
Partition Panel Left - Down

⑬ X 1



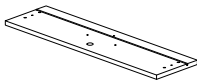
Back Support Panel - Down

⑭ X 2



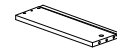
Partititon Panel Right Small - Down

⑱ X 1



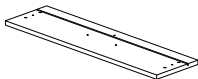
Drawer Front Lock Panel

⑳ X 2



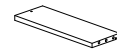
Drawer Side Left Panel

㉑ X 1



Drawer Front Panel

㉒ X 2



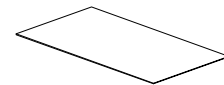
Drawer Side Right Panel

㉓ X 2



Drawer Back Panel

㉔ X 2



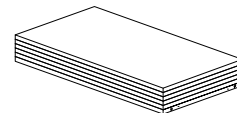
Drawer Bottom Panel

㉕ X 2



Drawer Support Panel

㉖ X 1




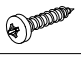


Back Panel Small - Down

Assembly Instruction

Hardware List

No.	SHAPE	DESCRIPTION	Qty.
A		8x25mm Dowel (Wood)	62Pcs
B		15mm Myfix Minifix	12Sets
C		M3.5x16mm Screw	116Pcs
D		M4x45mm Screw	46Pcs
E		V Bracket	2Pcs
F		L Bracket	1Pc
G		Handle KT179.128mm	8Pcs
H		M4x28mm Screw	16Pcs
I		Hinges 2/8	13Pcs
J		5/8 Nail With Pin	6Pcs
K		6/8 Power Pin	50Pcs
L		Drawer Lock	1Pc
M		Drawer Lock Support H10.9	1Pc
N		Drawer Slide (350mm)	2Sets
O		Aluminium Pipe(667mm)	1Pc
P		Sticker	17Pcs

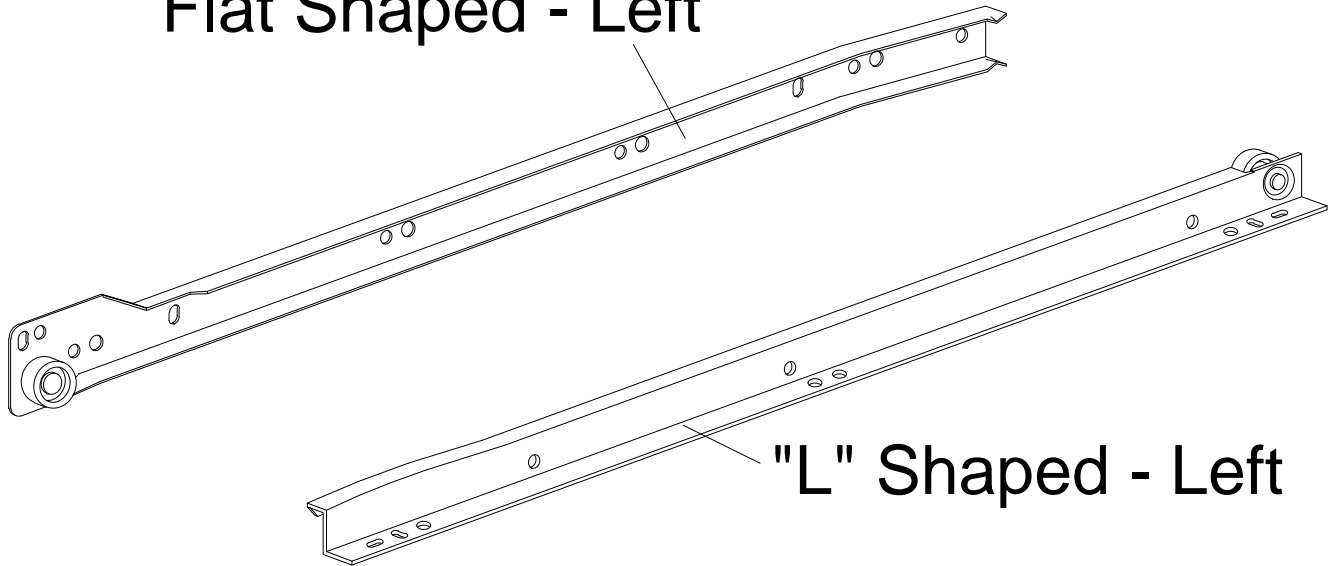
Anti Tipping Hardware

No.	SHAPE	DESCRIPTION	Qty.
a		Mounting Bracket	2Pcs
b		TP 6# x 5/8" Screw	1Pc
c		TP 8# x 2" Screw	1Pc
d		Restraint Strap	1Pc

Assembly Instruction

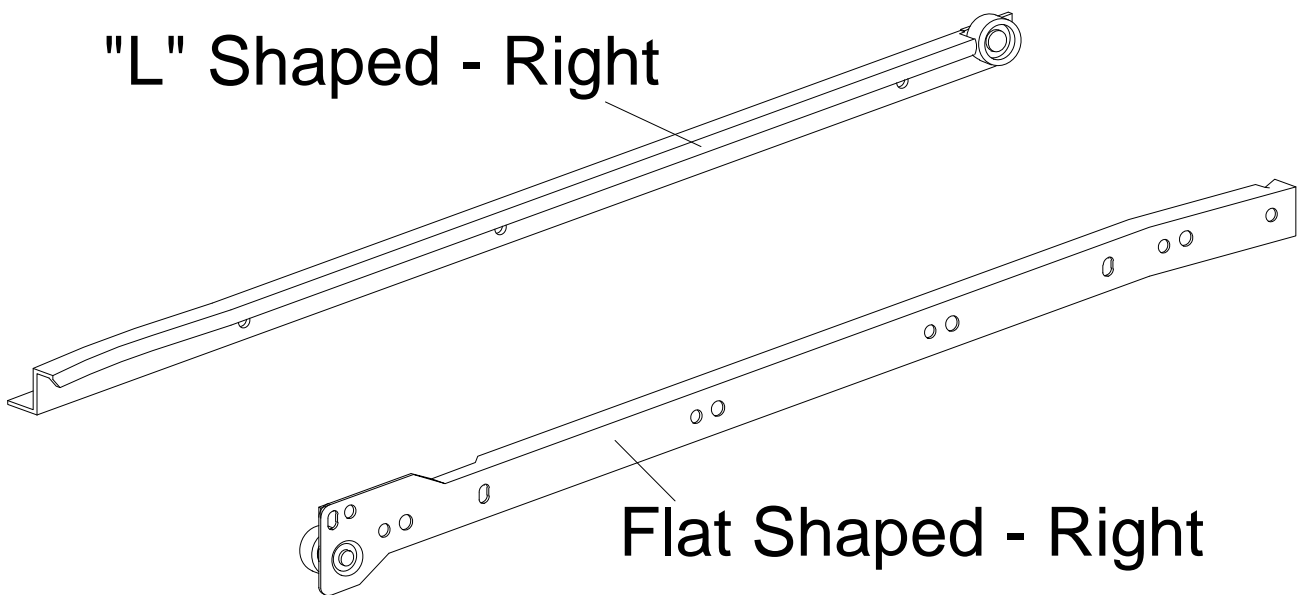
Left Drawer Silde (N)

Flat Shaped - Left



Right Drawer Silde (N)

"L" Shaped - Right



Assembly Instruction

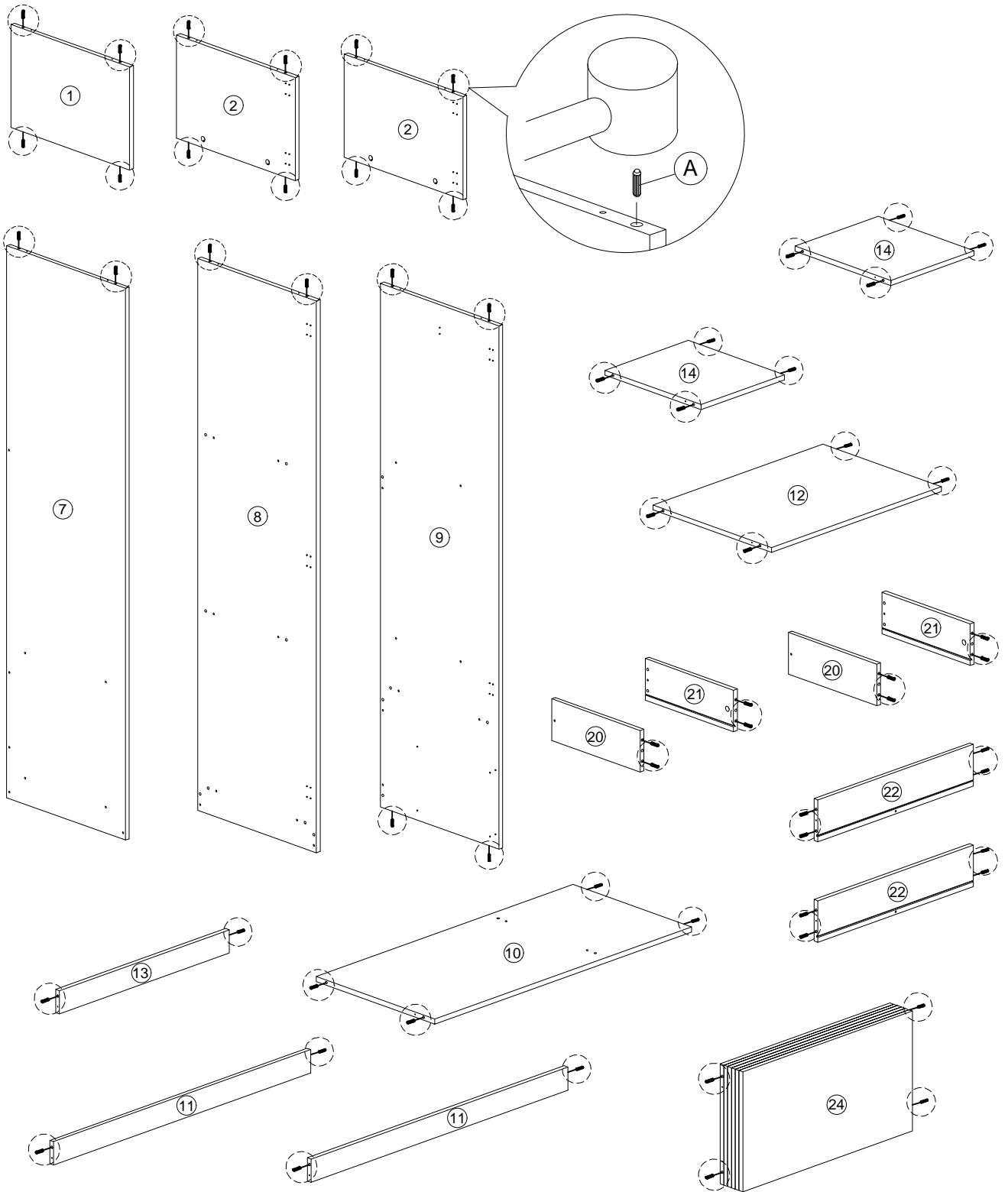
Step 1

A



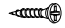

8x25mm Dowel (Wood)


62Pcs

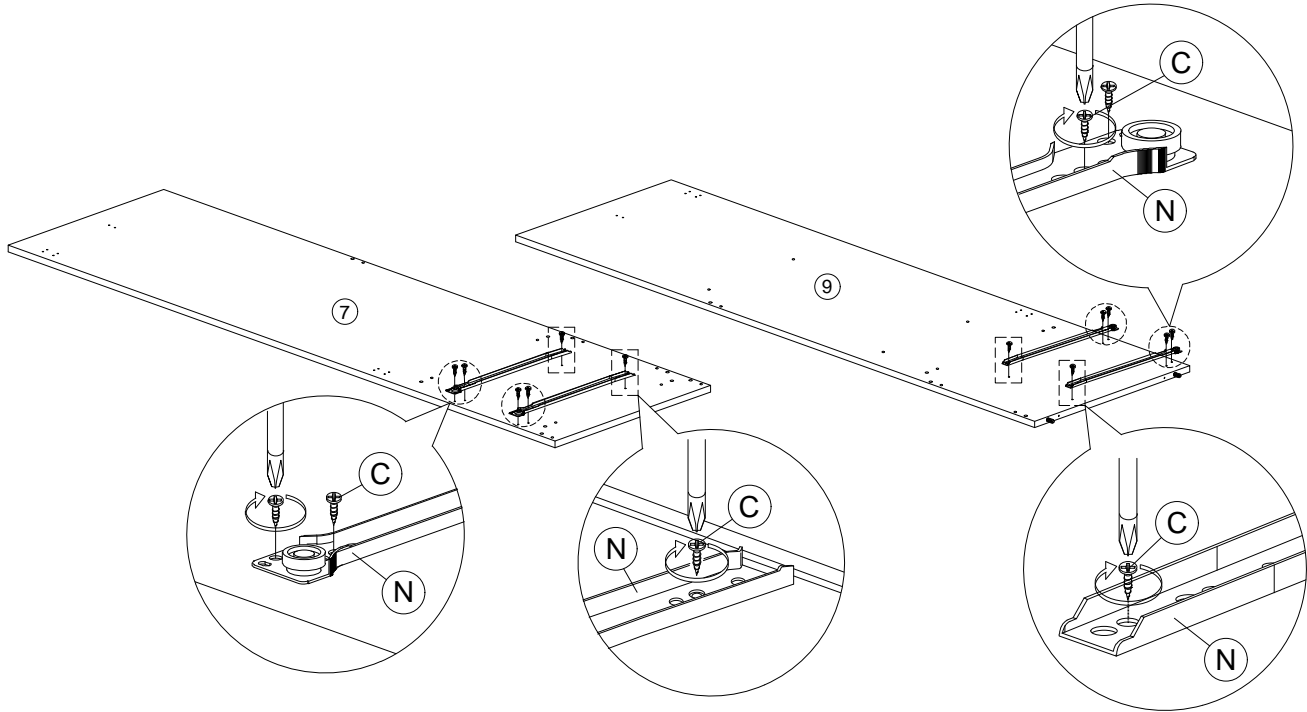


Assembly Instruction

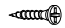

Step 2

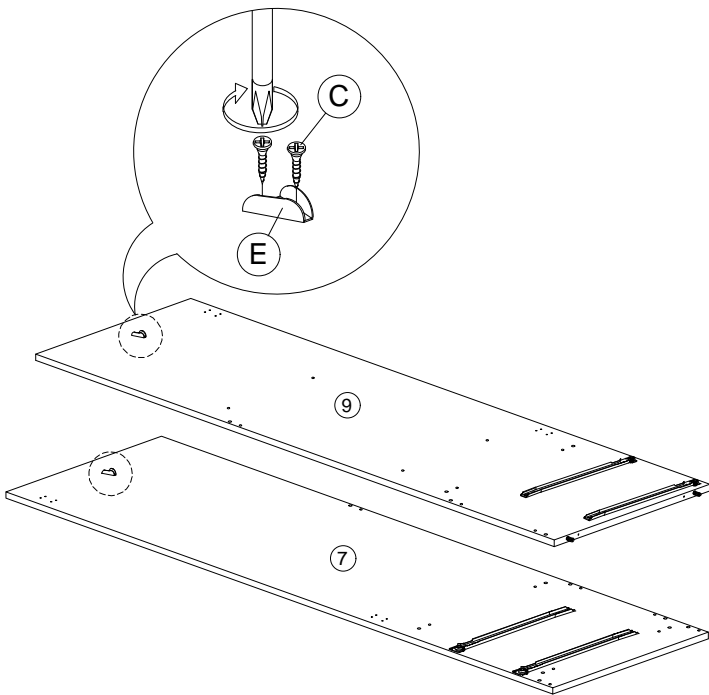
C		M3.5x16mm Screw	12Pcs
N		Drawer Slide 350mm - R	2Pcs

N		Drawer Slide 350mm - L	2Pcs
---	---	------------------------	------

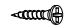



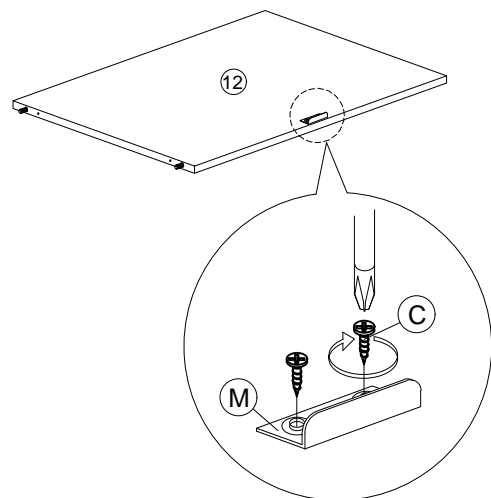
Step 3

C		M3.5x16mm Screw	4Pcs
E		V Bracket	2Pcs



Step 4

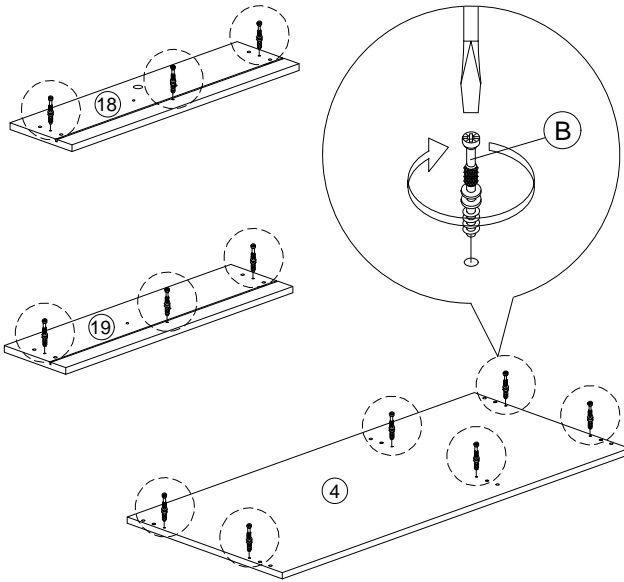
C		M3.5x16mm Screw	2Pcs
M		Drawer Lock Support H10.9	1Pc




Assembly Instruction

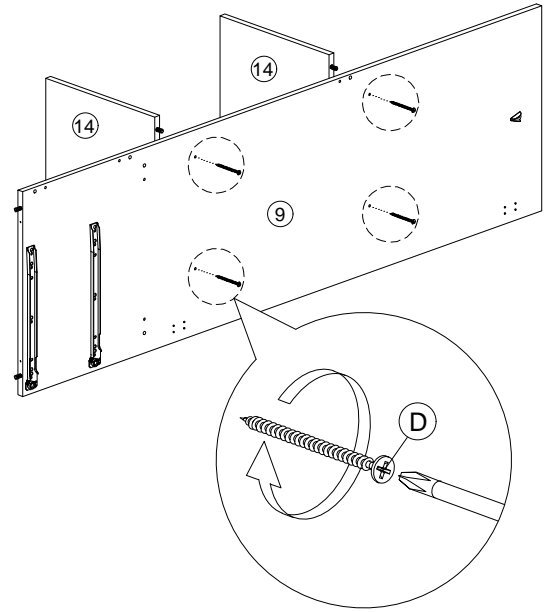
Step 5

B  Myfix 12Pcs




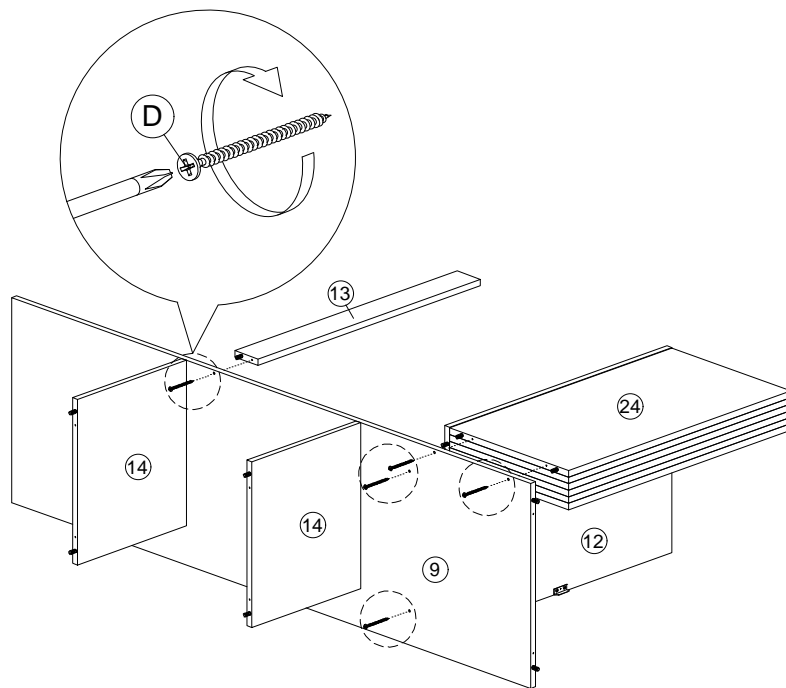
Step 6

D  M4x45mm Screw 4Pcs




Step 7

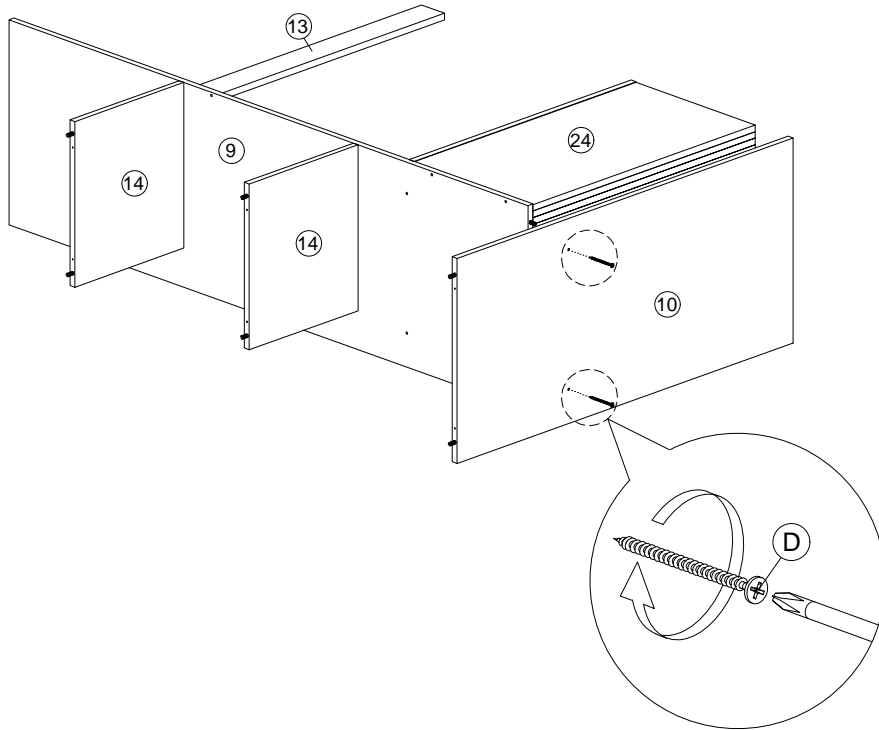
D  M4x45mm Screw 5Pcs




Assembly Instruction

Step 8

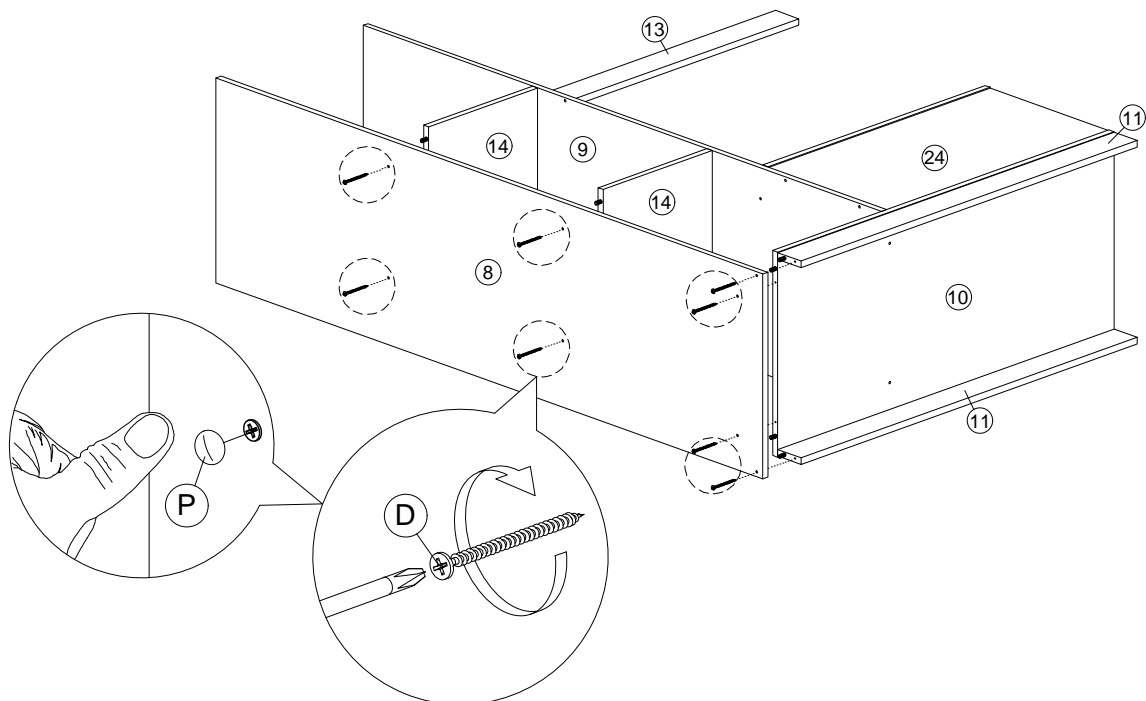
D		M4x45mm Screw	2Pcs
---	---	---------------	------



Step 9


D		M4x45mm Screw	8Pcs
---	---	---------------	------

P		Sticker	8Pcs
---	---	---------	------

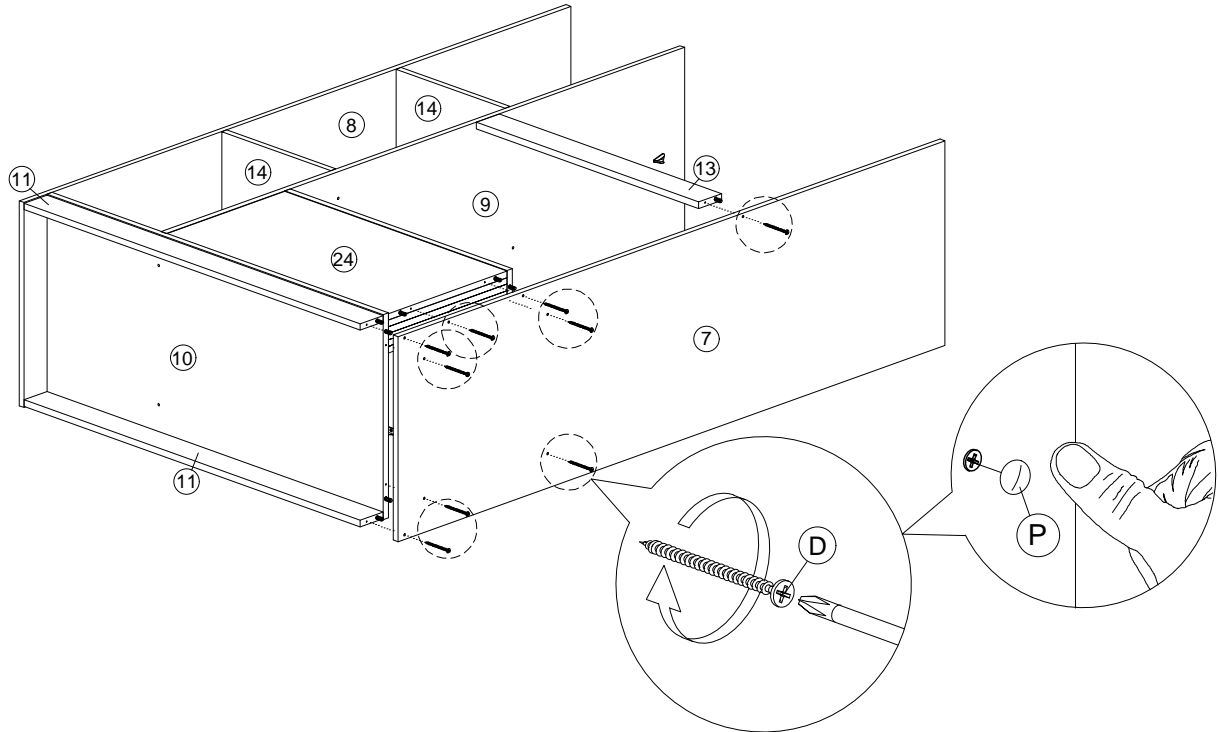


Assembly Instruction


Step 10

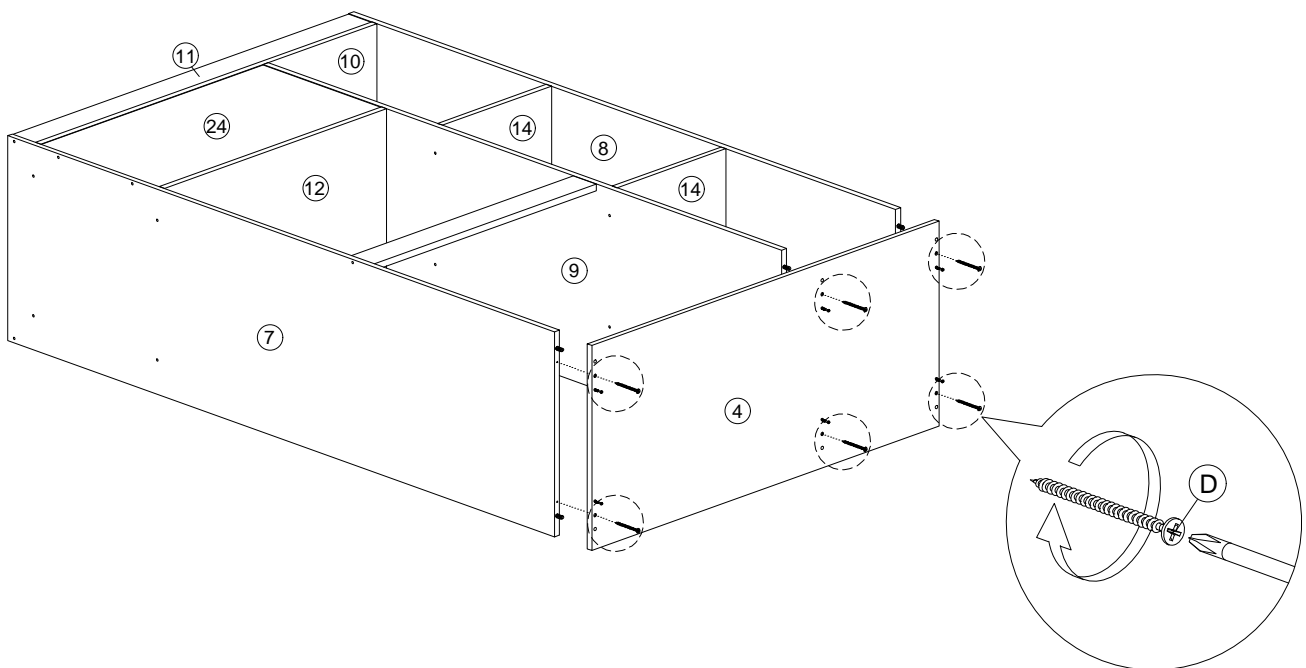
D  M4x45mm Screw 9Pcs

P  Sticker 9Pcs



Step 11

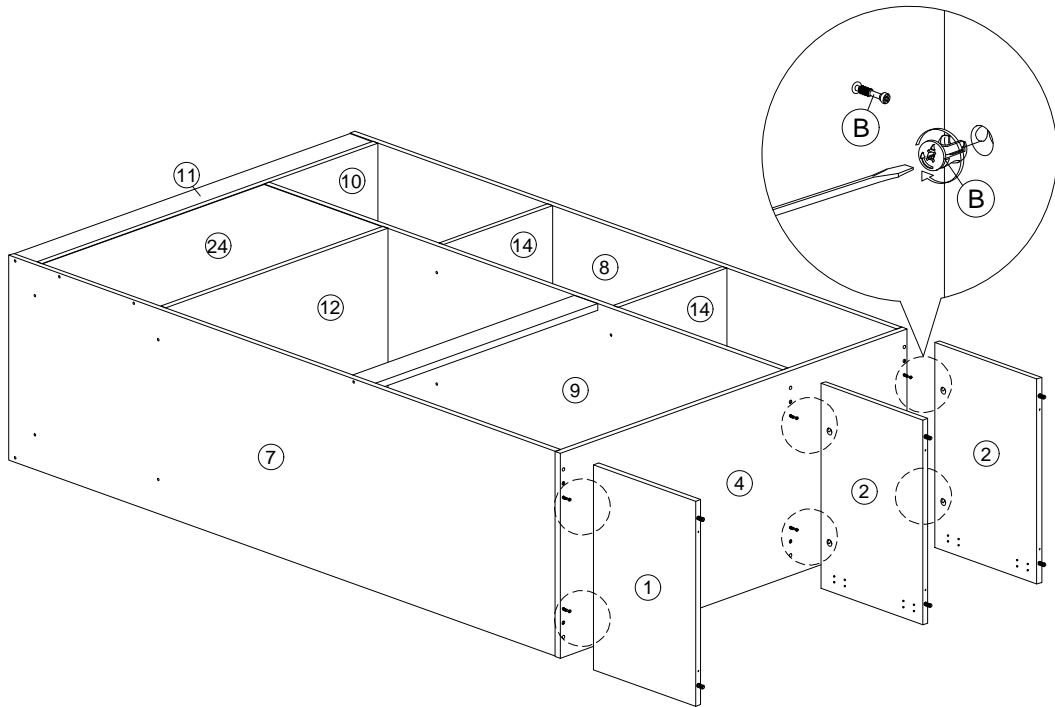
D  M4x45mm Screw 6Pcs




Assembly Instruction

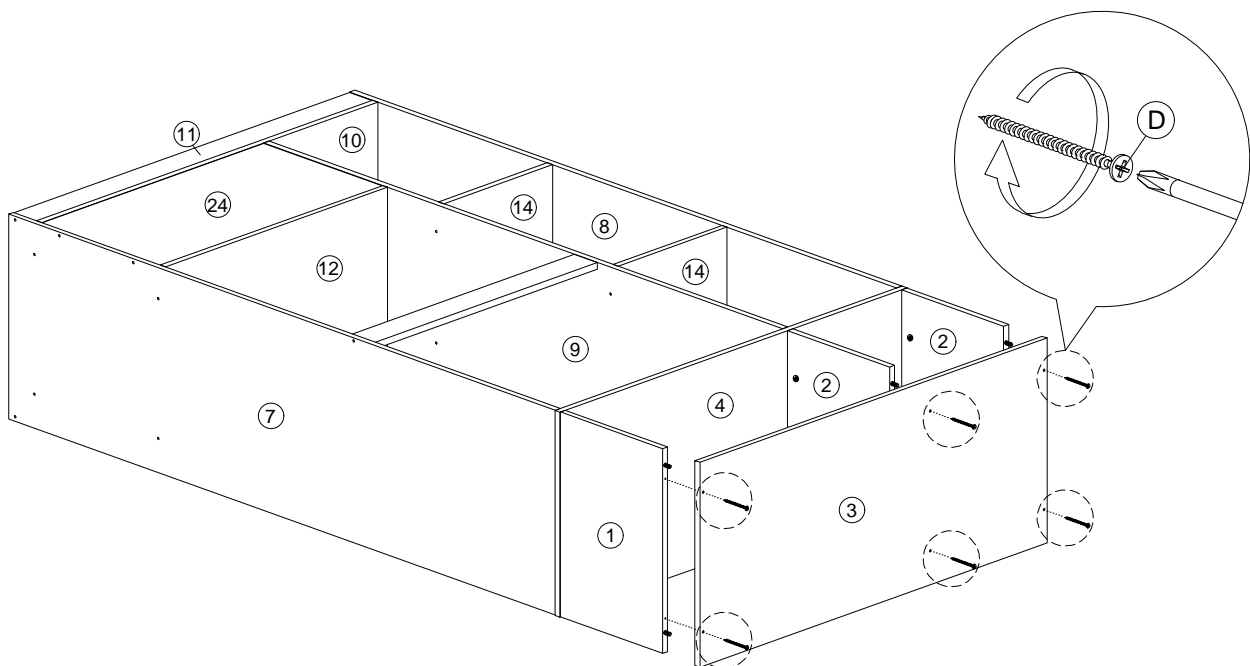
Step 12

B		Minifix	6Pcs
---	---	---------	------




Step 13

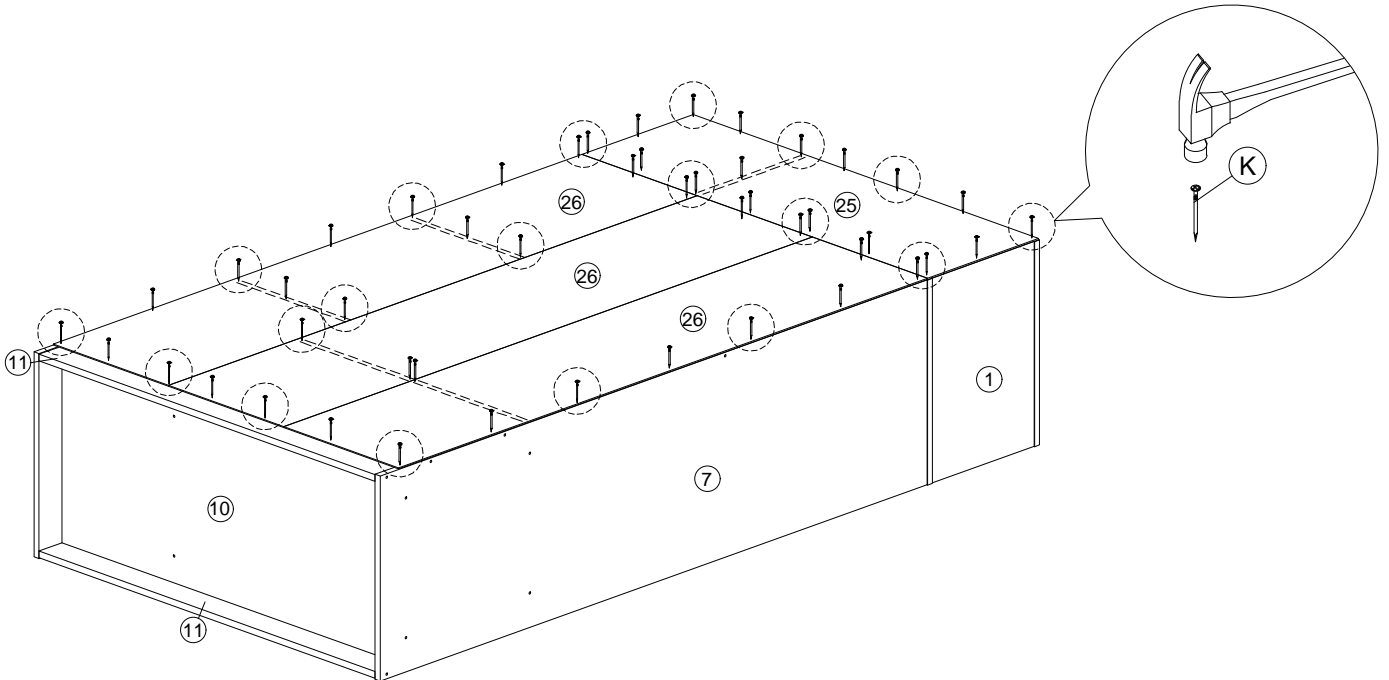
D		M4x45mm Screw	6Pcs
---	---	---------------	------





Assembly Instruction


Step 14

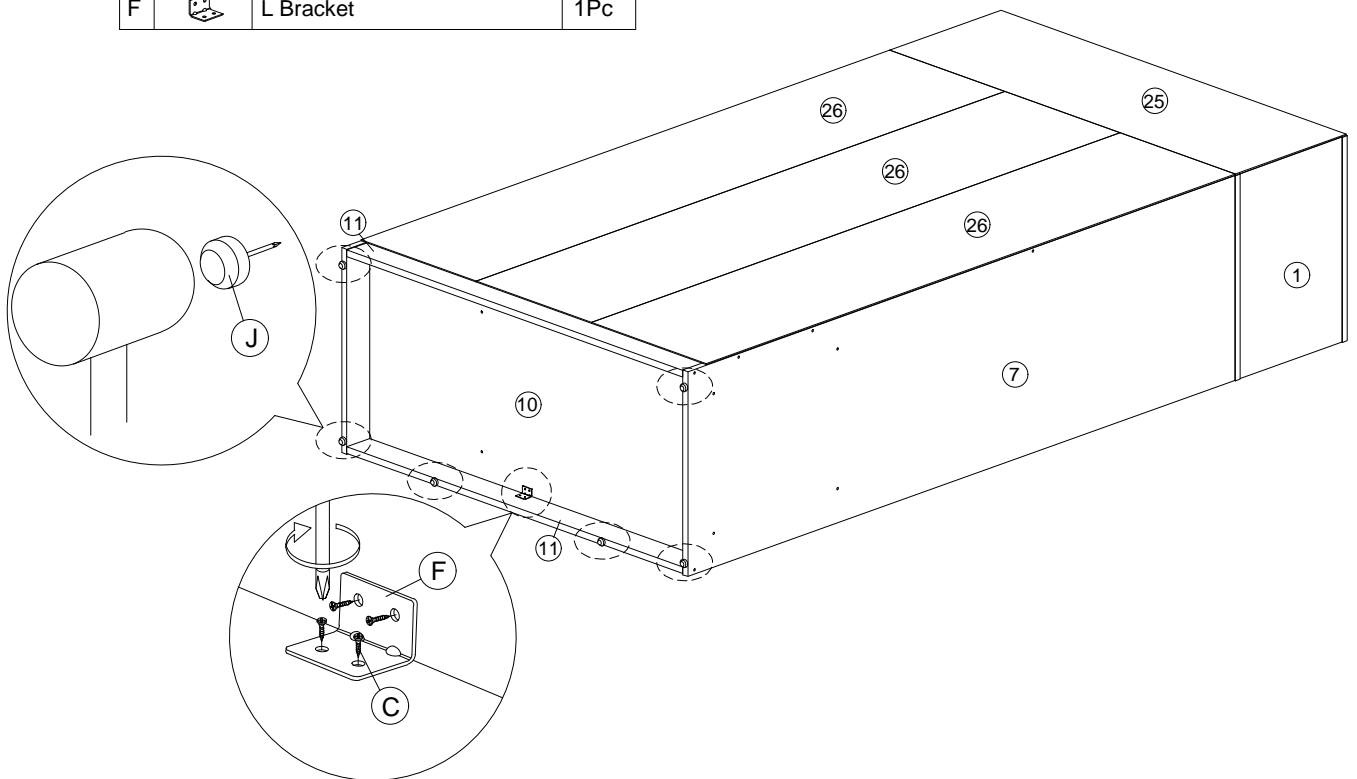
K		6/8 Power Pin	50Pcs
---	---	---------------	-------



Step 15


C		M3.5x16mm Screw	4Pcs
F		L Bracket	1Pc

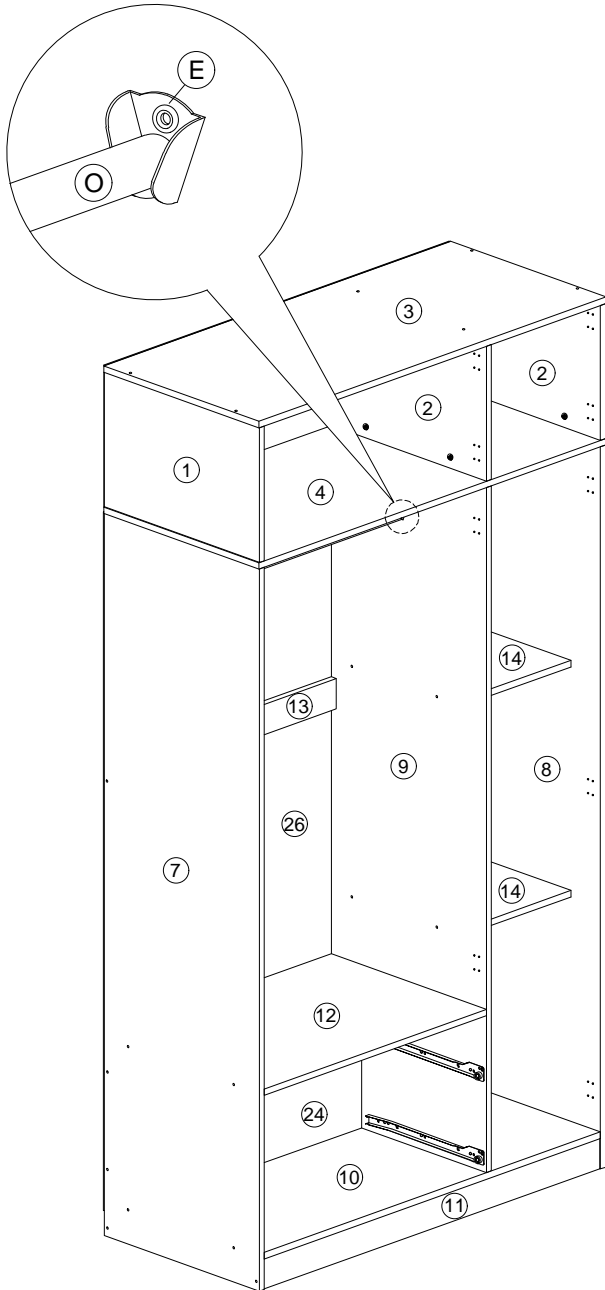
J		5/8 Nail With Pin	6Pcs
---	---	-------------------	------



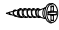

Assembly Instruction

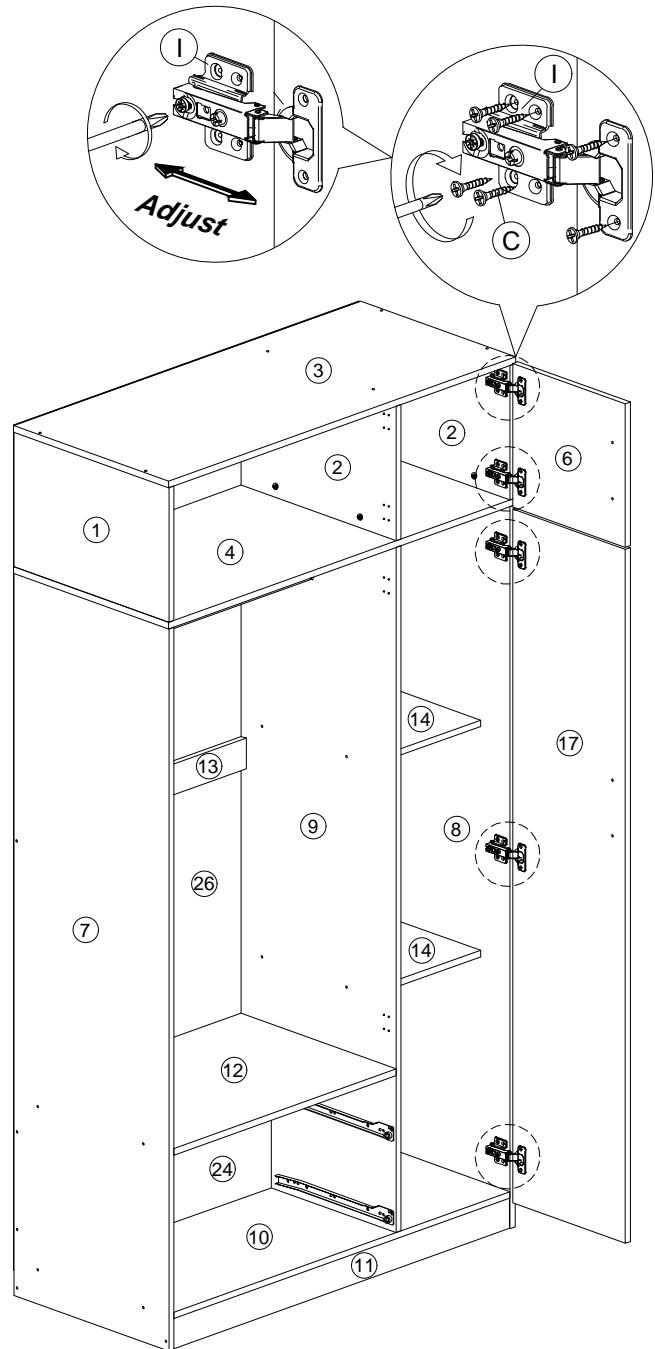
Step 16

O		Aluminium Pipe 667mm	1Pc
---	---	----------------------	-----



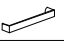

Step 17

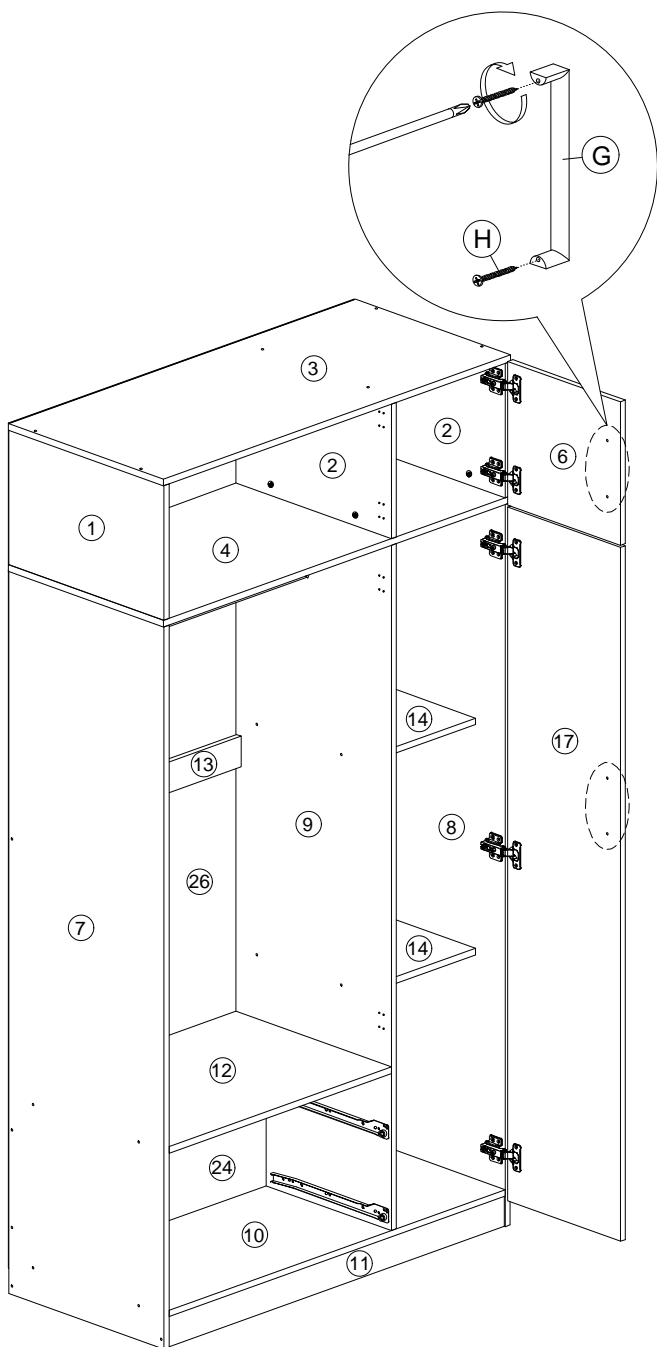
C		M3.5x16mm Screw	30Pcs
I		Hinges 2/8	5Pcs



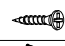

Assembly Instruction

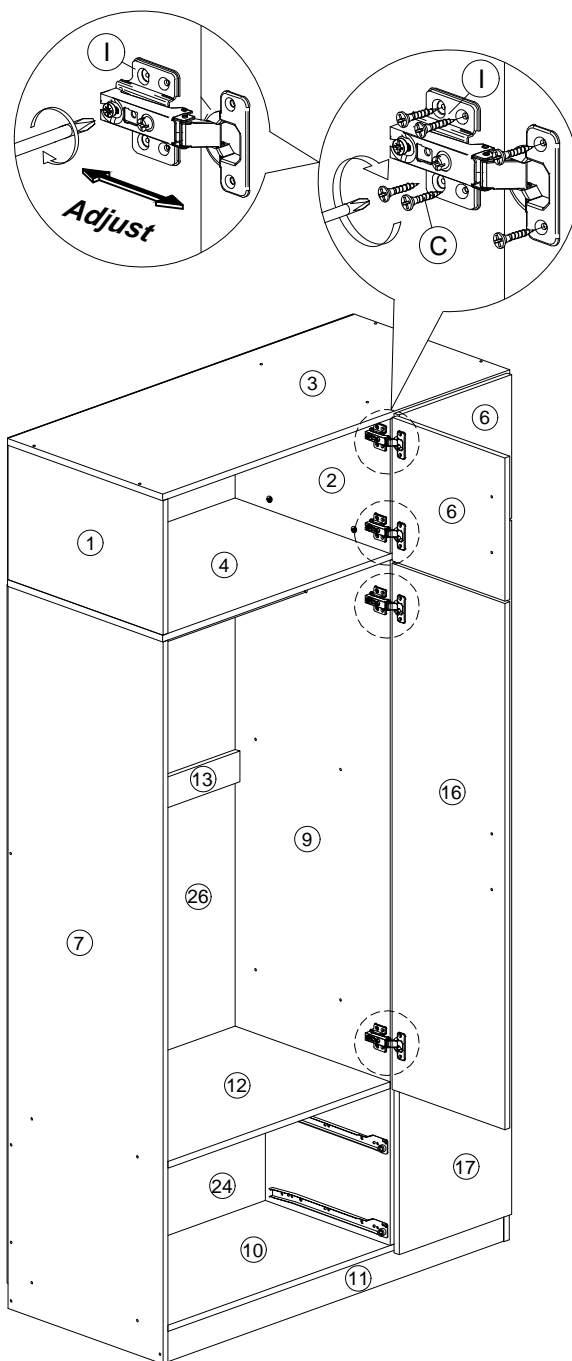
Step 18

G		Handle KT179.128mm	2Pcs
H		M4x28mm Screw	4Pcs



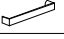

Step 19

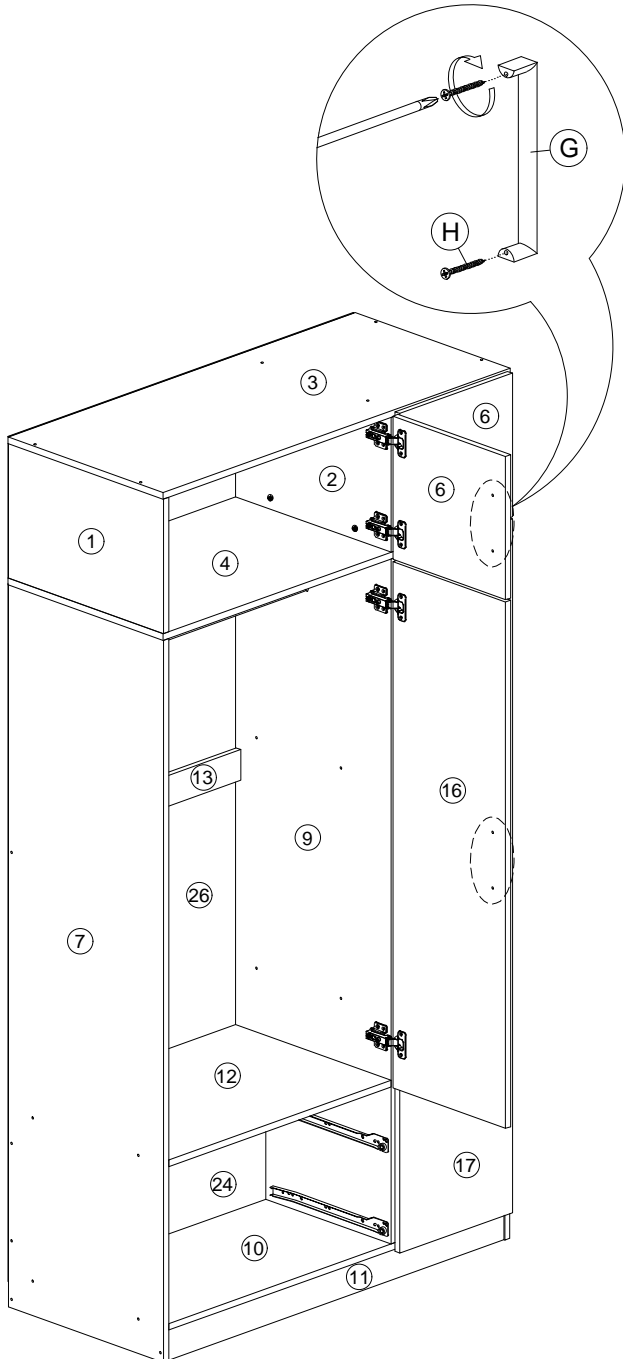
C		M3.5x16mm Screw	24Pcs
I		Hinges 2/8	4Pcs



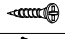

Assembly Instruction

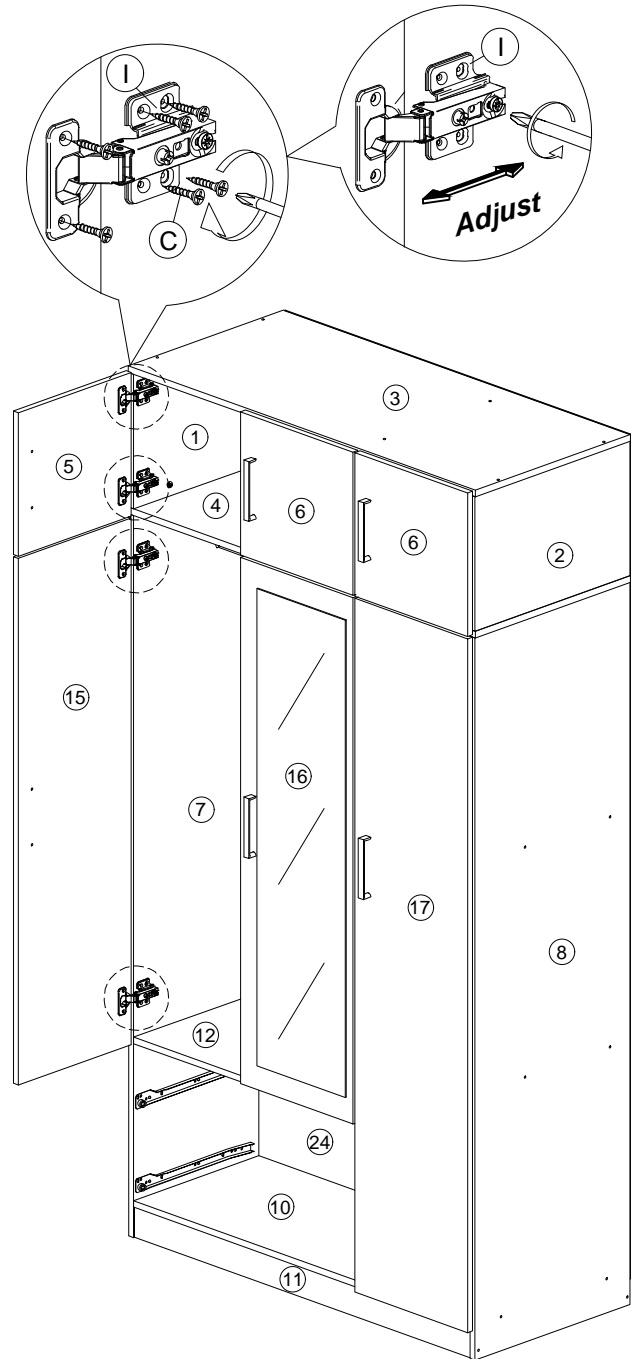
Step 20

G		Handle KT179.128mm	2Pcs
H		M4x28mm Screw	4Pcs



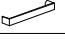

Step 21

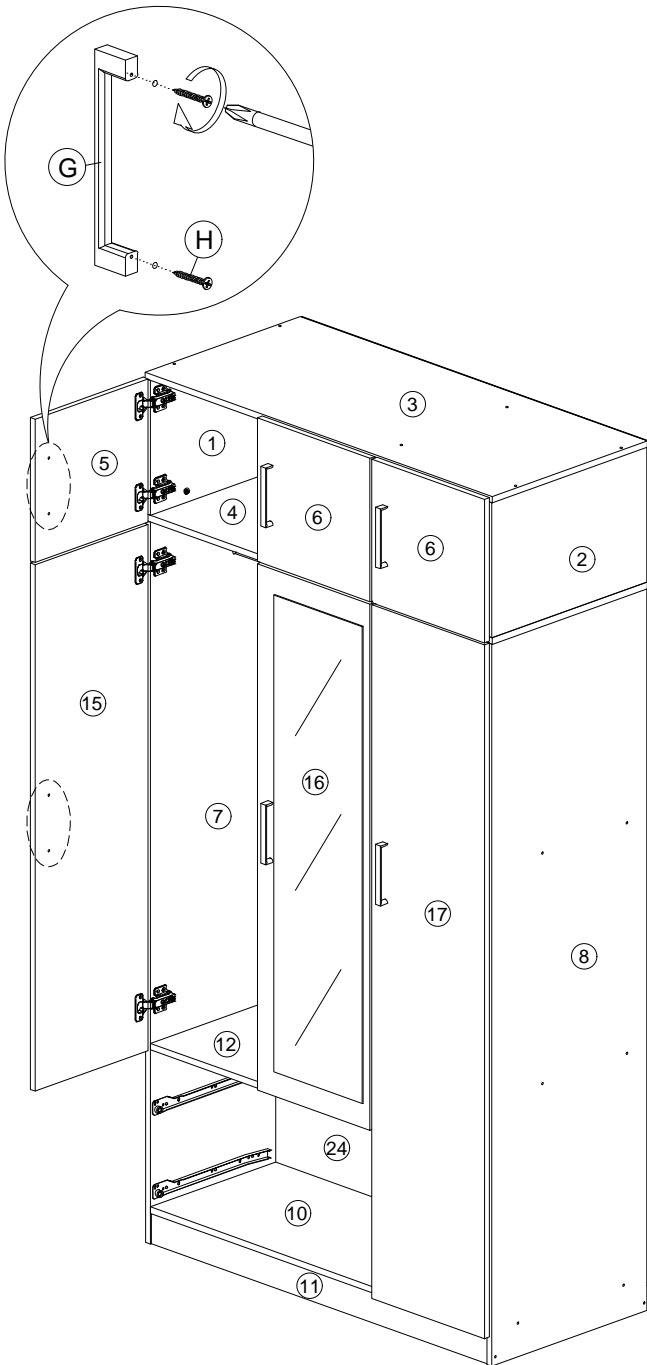
C		M3.5x16mm Screw	24Pcs
I		Hinges 2/8	4Pcs




Assembly Instruction

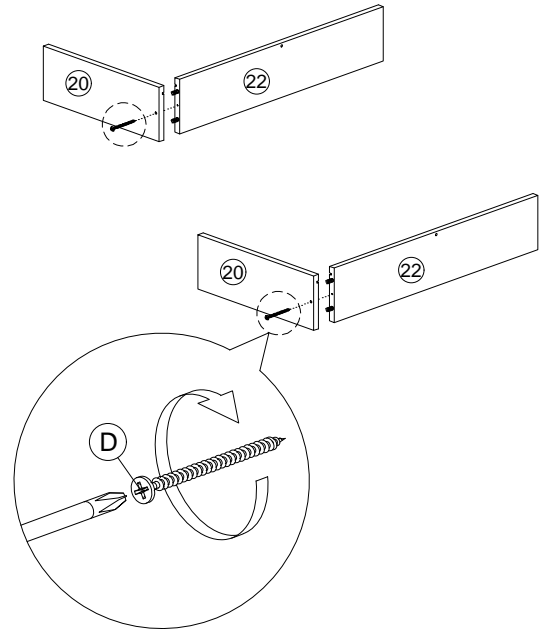
Step 22

G		Handle KT179.128mm	2Pcs
H		M4x28mm Screw	4Pcs




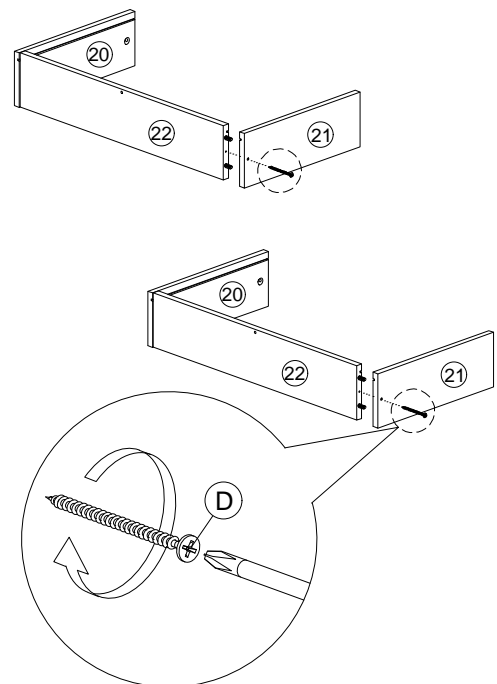
Step 23

D		M4x45mm Screw	2Pcs
---	---	---------------	------




Step 24

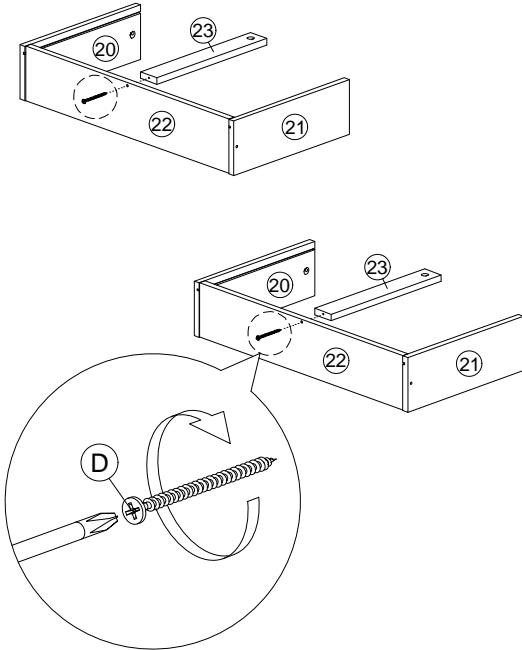
D		M4x45mm Screw	2Pcs
---	---	---------------	------



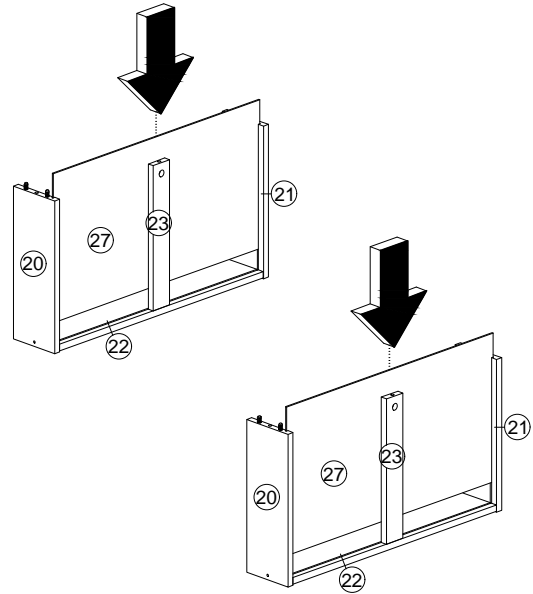
Assembly Instruction

Step 25

D		M4x45mm Screw	2Pcs
---	---	---------------	------

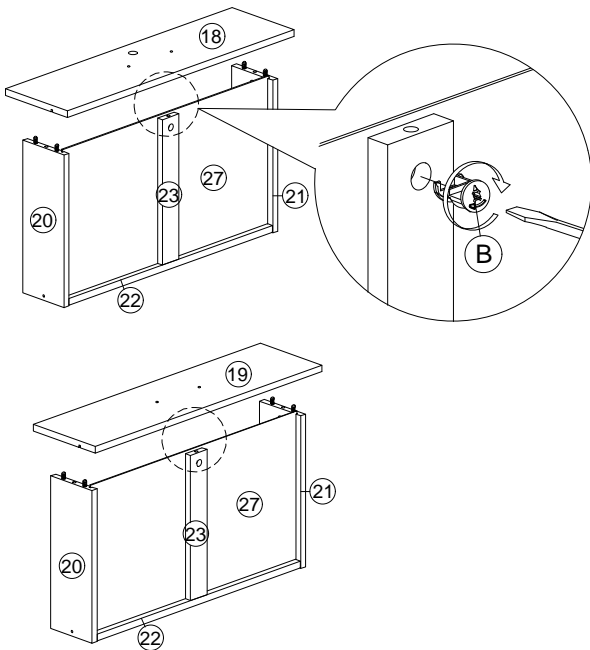


Step 26



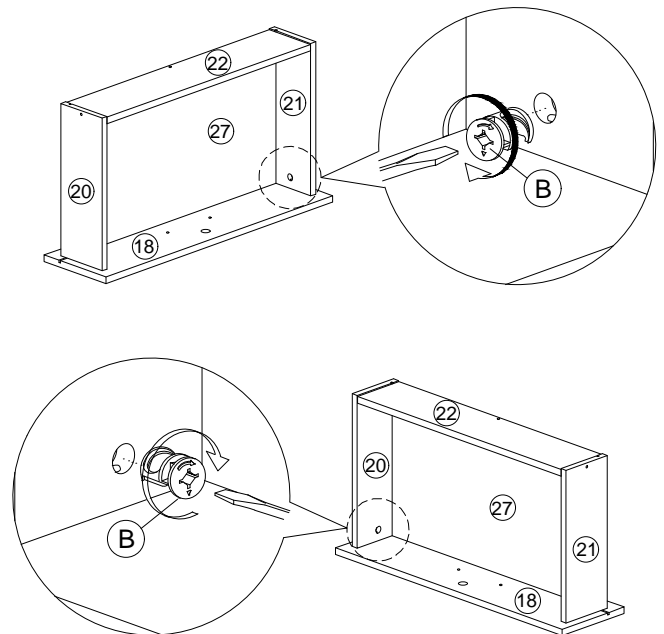
Step 27

B		Minifix	2Pcs
---	---	---------	------



Step 28

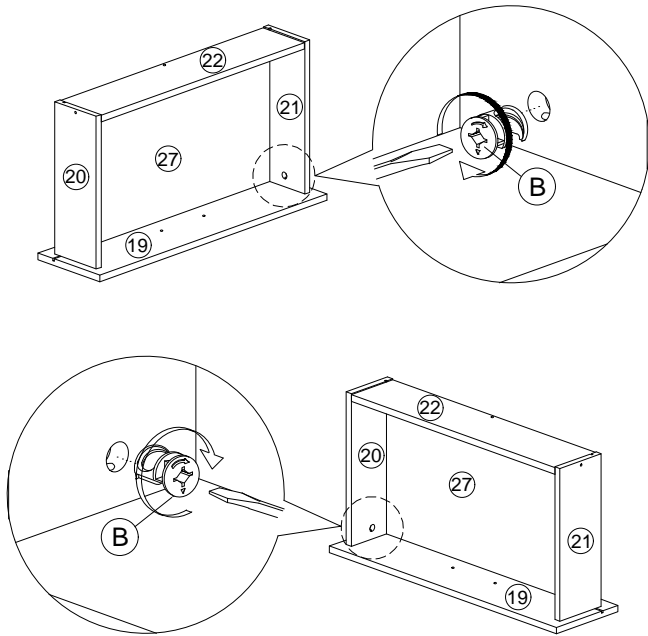
B		Minifix	2Pcs
---	---	---------	------



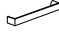

Assembly Instruction

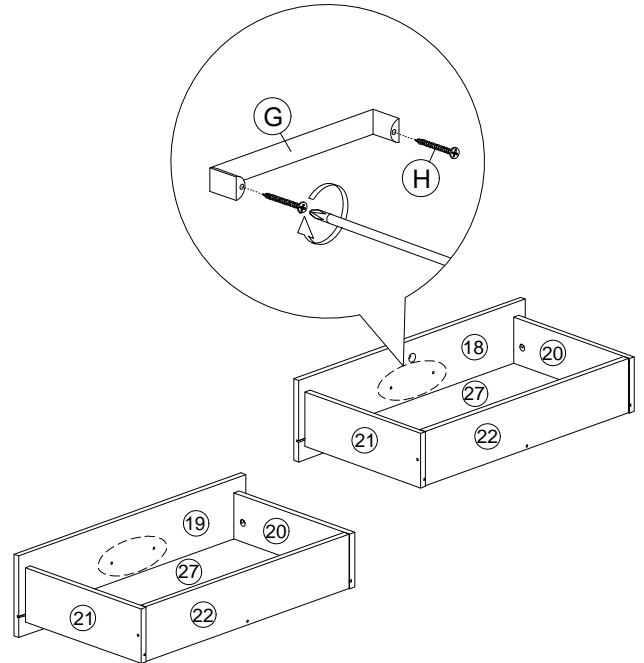
Step 29

B		Minifix	2Pcs
---	---	---------	------





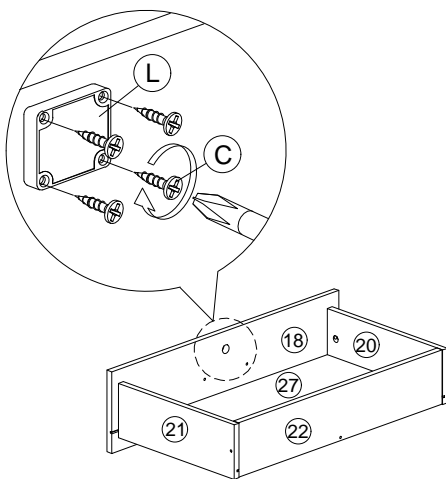
Step 30

G		Handle KT179.128mm	2Pcs
H		M4x28mm Screw	4Pcs

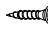



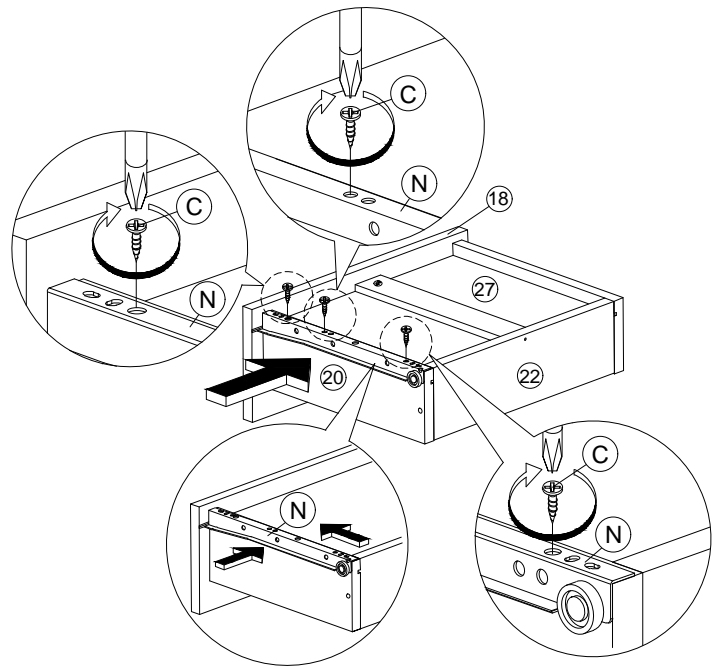
Step 31

C		M3.5x16mm Screw	4Pcs
L		Drawer Lock	1Pc




Step 32

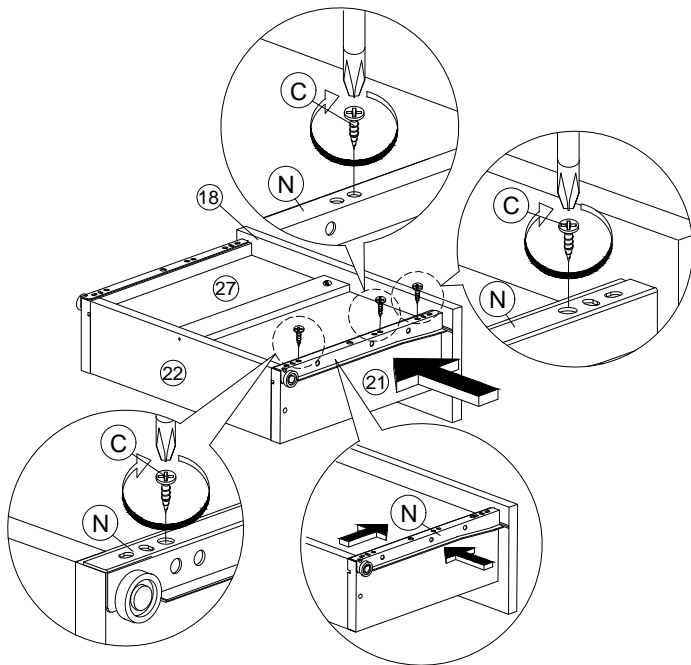
C		M3.5x16mm Screw	3Pcs
N		Drawer Slide 350mm - L	1Pc



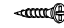

Assembly Instruction

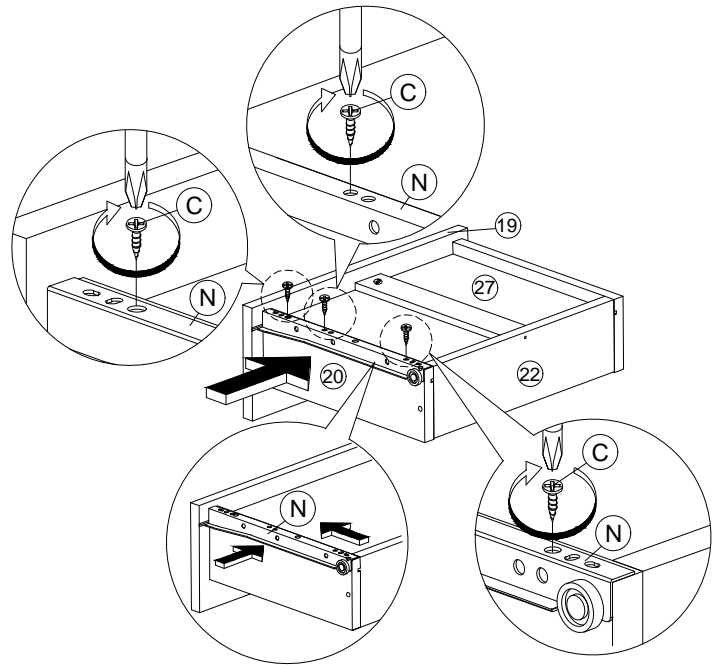
Step 33

C		M3.5x16mm Screw	3Pcs
N		Drawer Slide 350mm - R	1Pc



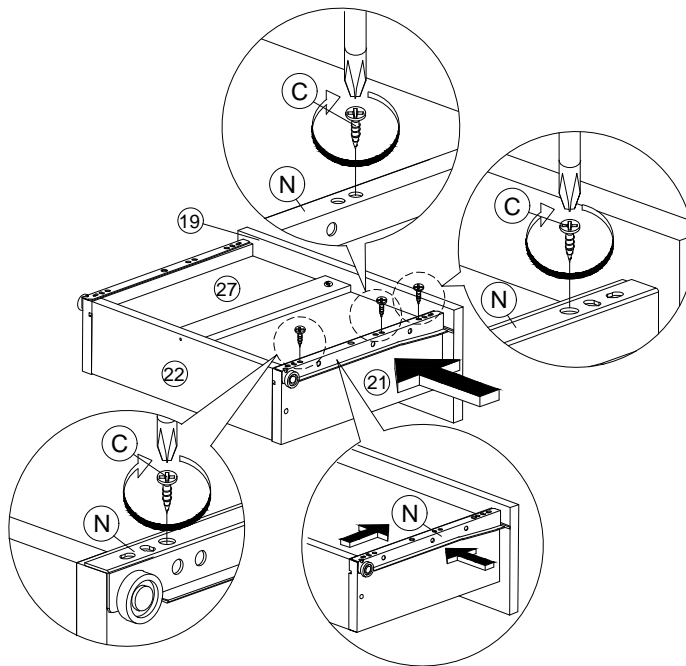
Step 34

C		M3.5x16mm Screw	3Pcs
N		Drawer Slide 350mm - L	1Pc



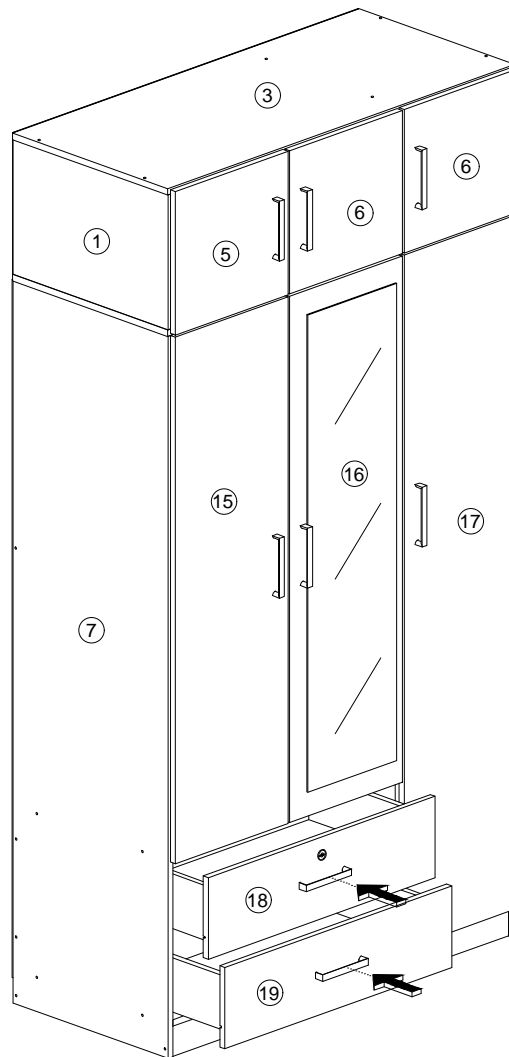
Step 35

C		M3.5x16mm Screw	3Pcs	N		Drawer Slide 350mm - R	1Pc
---	---	-----------------	------	---	---	------------------------	-----



Assembly Instruction

Step 36



FITTING OF ANTI-TIP SAFETY STRAP

STEP 1:

- Attach the mounting bracket (a) to the furniture in the solid part below the top panel a few inches away from the side of the unit.
- Screw (b) through the smallest hole of (a).

STEP 2:

- Locate a stud in behind the have to
- Place the other mounting bracket (a) on the wall stud 2 inches below the mounting bracket secured to the back of your unit.
- Attach to the wall stud using (c) through the smaller hole of (a).

STEP 3:

- Repeat the same step a few inches away from the other side of the unit.
- Place the furniture into position so both mounting brackets are vertically in line.
- Lace the end of the restraint strap through the larger holes in each mounting bracket.
- Secure the straps and lock into place.

