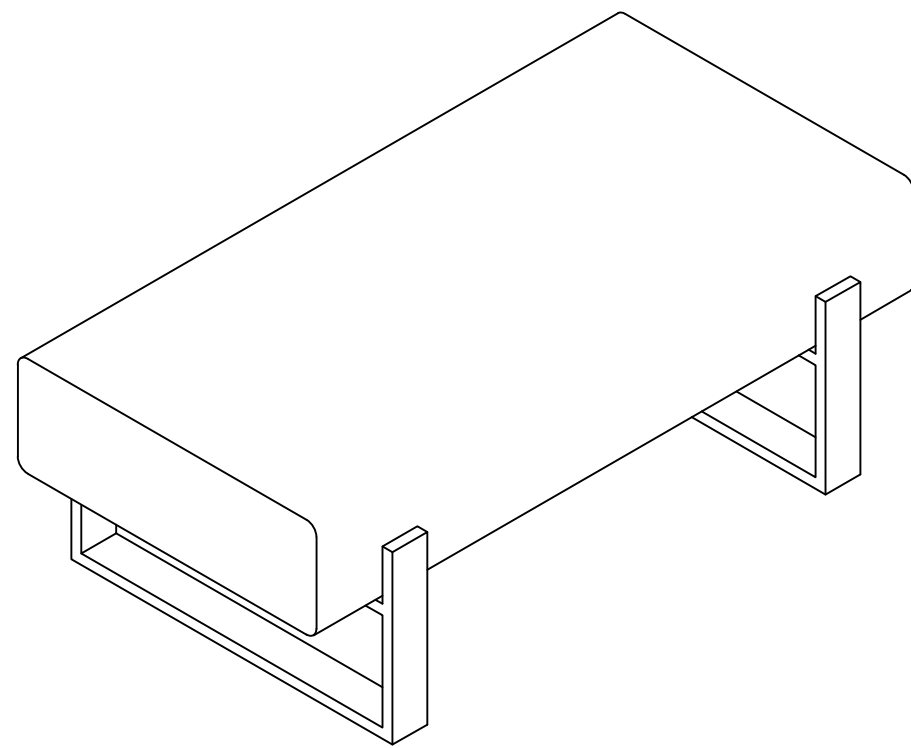
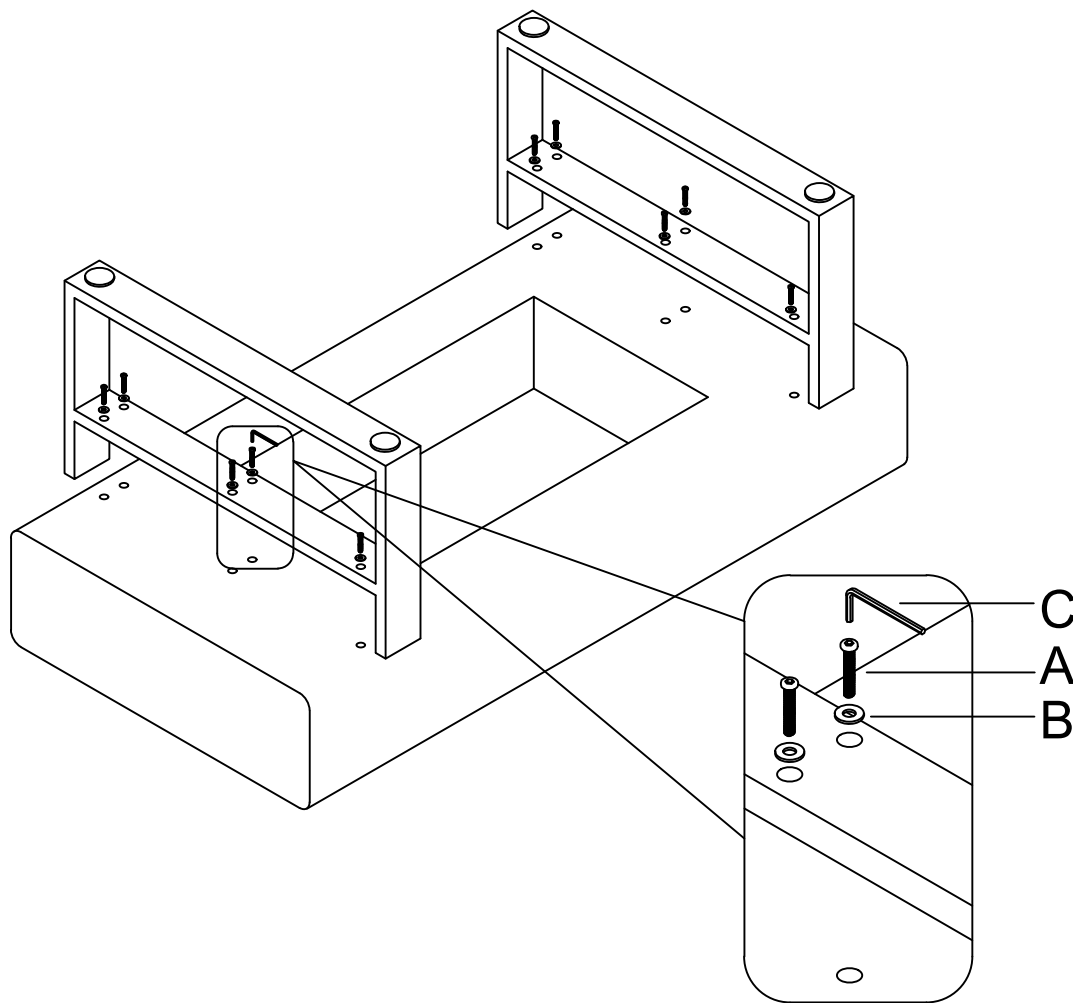


ASSEMBLY INSTRUCTION

STEP1

STEP2



A



M8*40mm 12pcs

B



12pcs

C



1pc