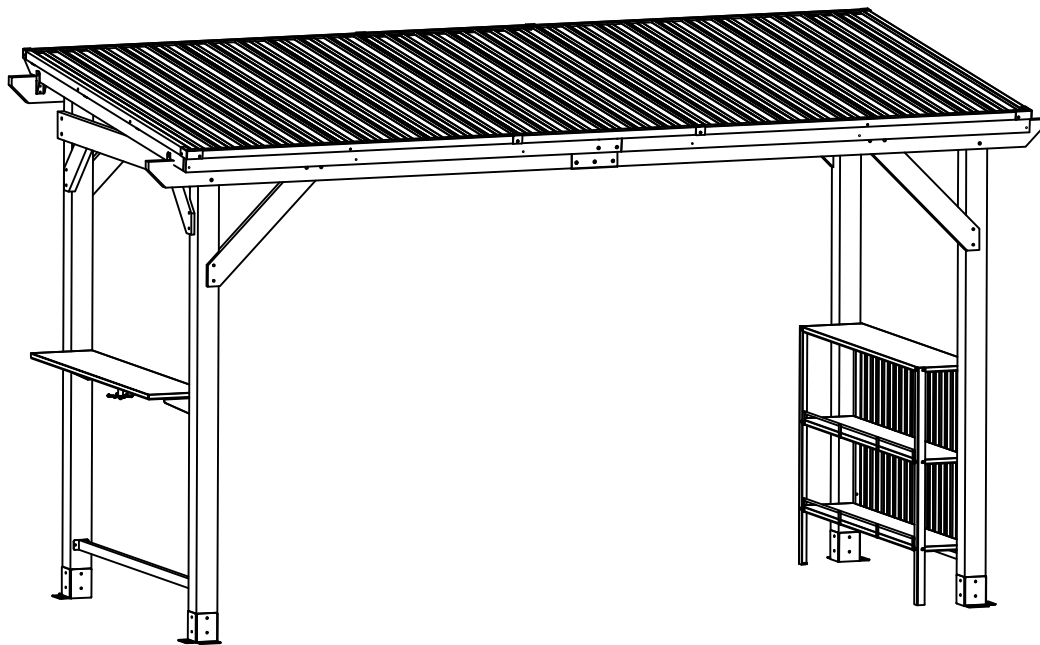


# ASSEMBLY INSTRUCTION

6FTX12FT WOOD GRILL GAZEBOS

ITEM NO.: WD0612QM0042



## Before You Start

Please read all instruction carefully. Retain instructions for future reference. Separate and count all parts and Hardware.

Read through each step carefully and follow the proper order. Keep all small parts and packaging materials for this product

**Customer Service E-mail: [aftersales.group.sam@gmail.com](mailto:aftersales.group.sam@gmail.com)**

## Important Safety Instructions



**Warning!** To reduce the risk of serious injury, read the following safety instructions before assembling and using the gazebo.

Please check with your local governing authority/local municipal codes regarding installation of structures before assembly.

**Caution!** Proper placement of your gazebo is essential.

Do not place the product underneath electrical lines.

Keep children away during assembly.

This product contains small parts which can be swallowed by children.

Keep fingers away from the places where they can be pinched or trapped.

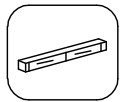
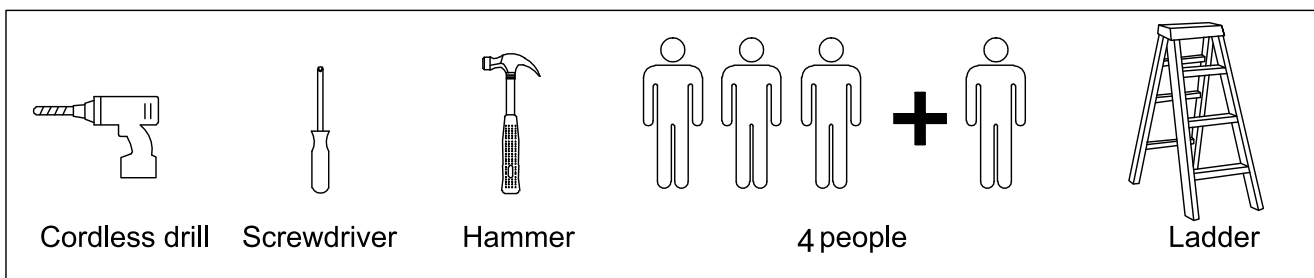
Do not attempt to assemble the gazebo if any parts are missing.

- This product is intended for domestic outdoor use only.
- The product should be placed on flat, horizontal ground.
- Ensure enough clearance around the product. Before assembling the product, find level ground not less than 6' (1.8 m) away from any structures or obstructions, such as fences, garages, houses, overhanging branches, laundry lines, or electrical wires.
- This gazebo is not to be regarded as part of a building/house structure. The gazebo is to be anchored onto the ground for added safety. Do not assemble the gazebo onto soil/earth ground. It is best advisable to have the gazebo built onto a wooden deck or concrete ground for stability. If it is to be build onto a wooden deck/ground, do ensure that the wooden deck/ground has a strong foundation. It is advisable to use appropriate floor plugs (not provided) to anchor the gazebo onto the wooden/concrete ground.
- Some structures may require two or more people to install safely. Check for underground utilities before digging or driving stakes into the ground.
- During installation, follow all safety warnings provided with your tools, and use safety glasses.
- In case you set up more than one gazebo, keep a minimum distance of 10' (3 m) between the gazebos.
- Any assembly or maintenance of the product must be carried out by adults only.
- Arrange necessary manpower when assembling or moving the product.
- Some parts may contain sharp edges. Wear protective gloves if necessary.
- Keep children and pets away while setting up the gazebo.
- Check all nuts and bolts periodically to ensure bolts/nuts are tightened.
- Repairing and replacing parts should be done by a qualified technician.
- This gazebo is intended for decorative and sunshade purposes only, and it is not designed to withstand harsh weather, including high winds, rain, and snow.
- Do not light any fires inside or near the product!
- Stay calm if fire breaks out. Search for the nearest exit. Do not return to the gazebo before firemen allow you to do so.
- Do not hang heavy weights on the roof frame.
- Do not climb onto the roof of the gazebo. Falling off the gazebo can result in serious injury.
- Retain the original packaging to store the gazebo.

**Country of Origin: China**

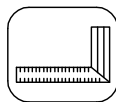
## IMPORTANT:

- Please read and understand this manual before any assembly. Before beginning assembly of product, make sure all parts are present. Compare parts with packaging contents list.
- If any part is missing, or if you have any questions, contact the service centre .
- When assembling wooden parts, do not overtorque the bolts to avoid splitting the wood. See image illustration.
- Place all parts from the box in a cleared area and position them on the floor in front of you.
- Remove all packing materials and place them back into the box. Do not dispose of the packing materials until assembly is complete.
- Read each step carefully before beginning any assembly and make sure you understand each step. If you are missing a part, please email : [\*\*aftersales.group.sam@gmail.com\*\*](mailto:aftersales.group.sam@gmail.com)
- Needed for assembly: (The following tools are not included)



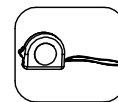
### Use Level

Check that assembly is properly level before proceeding.



### Square Assembly

Check that assembly is square before tightening bolts.



### Measure Distance

## WOOD CARE AND MAINTENANCE

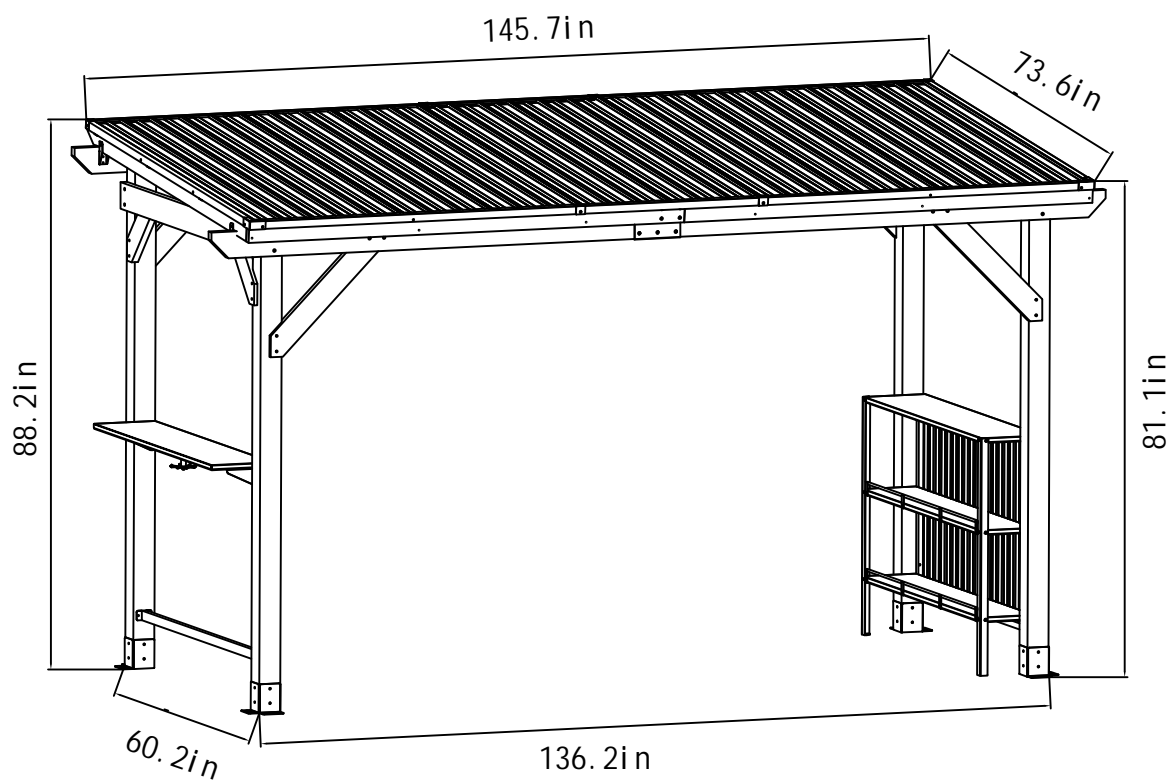
Wood requires some care and attention over its lifetime to ensure a long-lasting beautiful finish. Proper cleaning and maintenance will keep your wood products looking beautiful for a long time. Please follow these guidelines to maintain your wood surfaces.

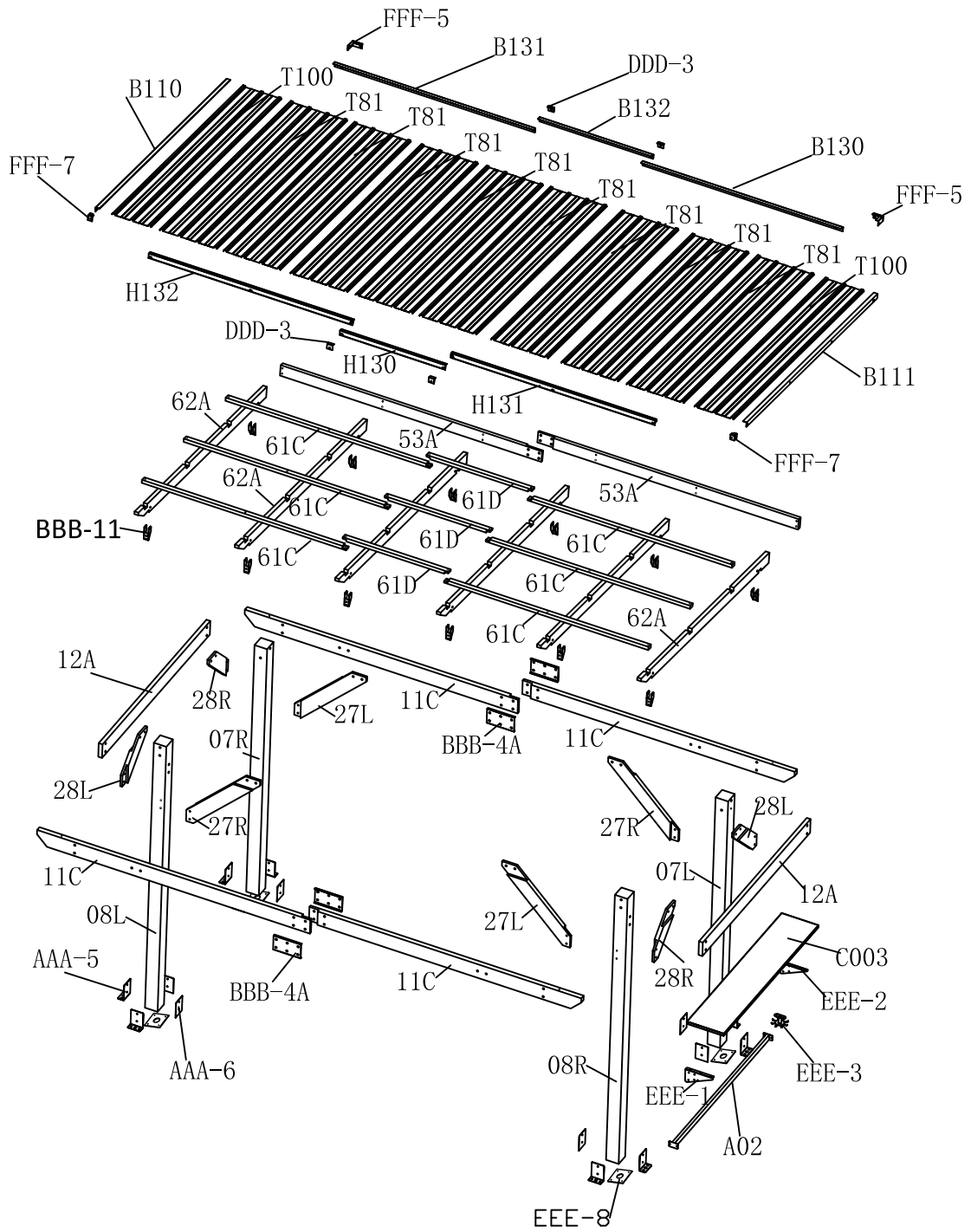
- **Fading and weathering:** Wood is a natural product and is expected to change over time. Long periods of sun exposure can naturally lead to color fading. Weather extremes, temperature fluctuations, and humidity highs/lows cause wood to expand and contract, possibly leading to warping and cracking. Knots and small surface cracks are naturally occurring and do not affect the strength of the product.
- **Keeping dry:** Prolonged moisture and high or low humidity can be harmful for wood. Cracking or splitting from extremes outside of the normal humidity range of 35-65% are not covered by our warranty. Preventing prolonged exposure to moisture is advisable.
- **Cleaning:** Frequent light cleaning is recommended. Dust regularly using a slightly damp soft cloth, and then wipe dry (following the direction of the wood grain). For more thorough cleaning, use a soft cloth and a gentle soap solution (dilute ¼ cup mild dishwashing liquid soap with 1 gallon of warm water). Rinse with water, and then immediately dry the surfaces using a soft cloth. Do not use bleach, acid, or other solvents on any metal parts or surfaces. Minor stains or scratches can be lightly buffed with No.0000 steel wool, followed by an application of good quality wood-care oil, wiping in the direction of the grain.
- **Annual sealing:** It is advisable to annually maintain the wooden parts with a sealant or outdoor wax/oil to protect and enhance the wood surfaces. Twice yearly, after cleaning, apply a good quality wood-care oil or water-based sealant to the surfaces. Recommended options are outdoor water-based sealant, linseed, teak, or tung oil. Refer to the manufacturer's specific instructions for application. It is best to try on a small section of wood, then if satisfied with the result, continue the application, taking care to avoid any metal surfaces.

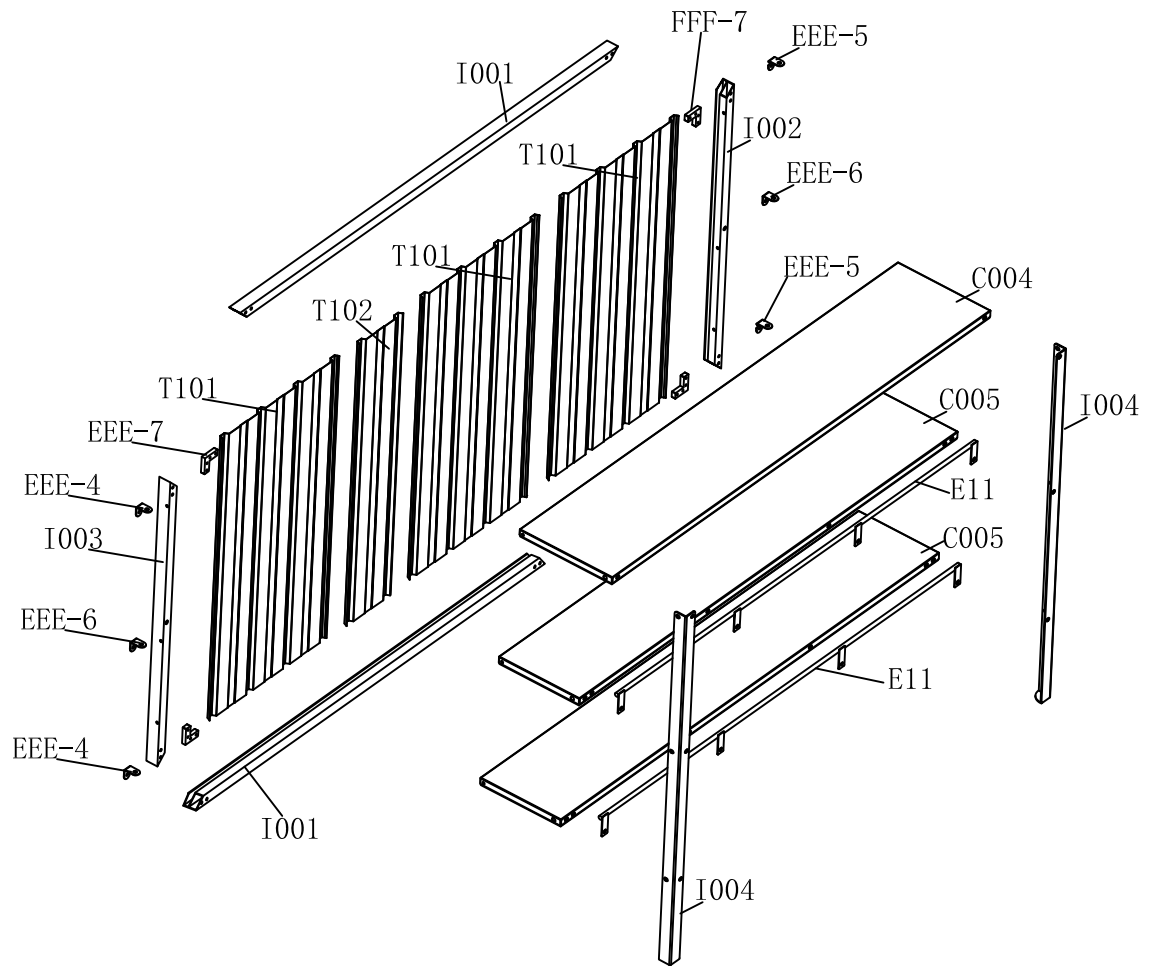
## METAL CARE AND MAINTENANCE

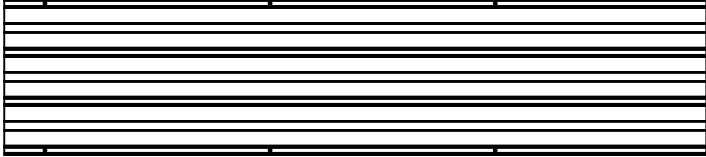
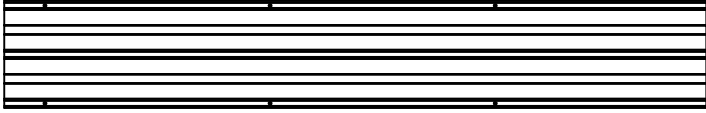
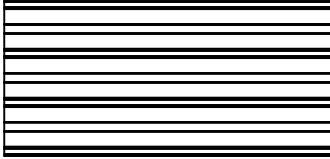
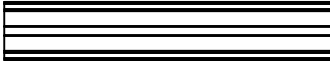
- To minimize this condition, we recommend care when assembling & handling the product to prevent scratching the paint. Should any scratching or damage occur, we recommend immediate touch-up with rust inhibiting paint.
- Surface rust can also easily removed with a very light application of common cooking oil. If surface oxidation (rusting) occurs and if no measure is taken to prevent this, the oxidation may start dripping on to deck or patio and caused damaging stains, which may be difficult to remove. This can be prevented if the above-mentioned measures are taken to keep the product from oxidizing.
- Use damp cloth to wipe off the stains as quickly as possible.

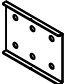



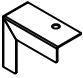


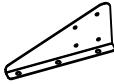







# PRODUCT DIMENSIONS

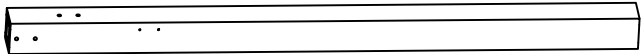

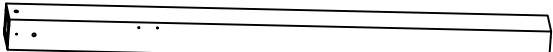
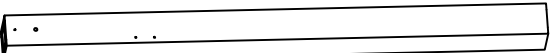




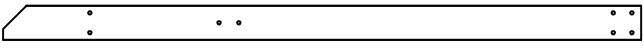
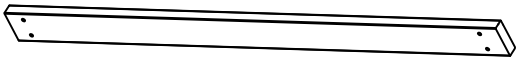
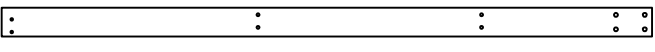
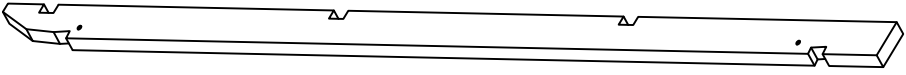
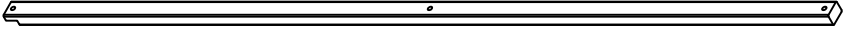
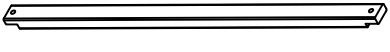





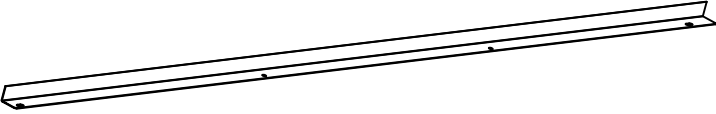
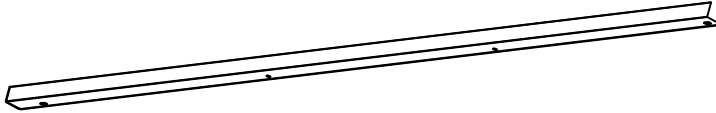
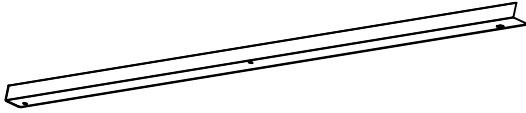
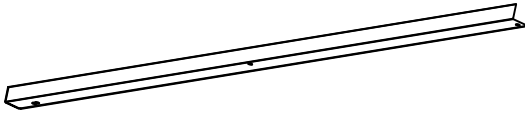
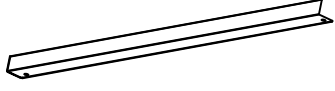
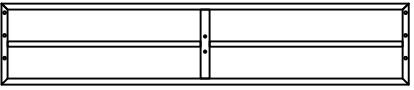
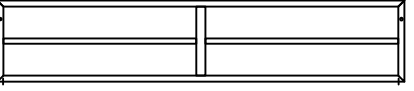
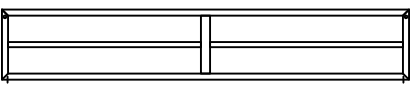


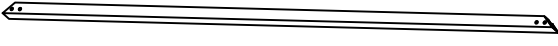


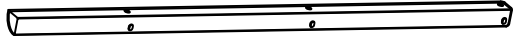




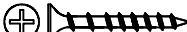
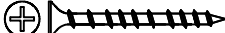

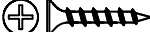

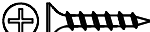

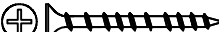


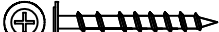
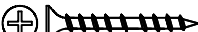




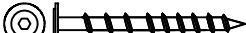




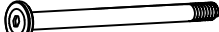

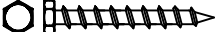



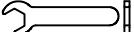
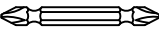
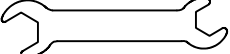
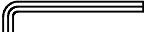
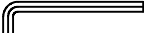
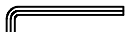
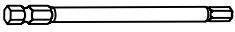
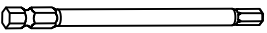


LABEL	QTY	REFERENCE IMAGE
T81	8	
T100	2	
T101	3	
T102	1	

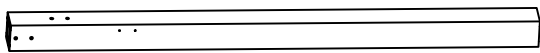
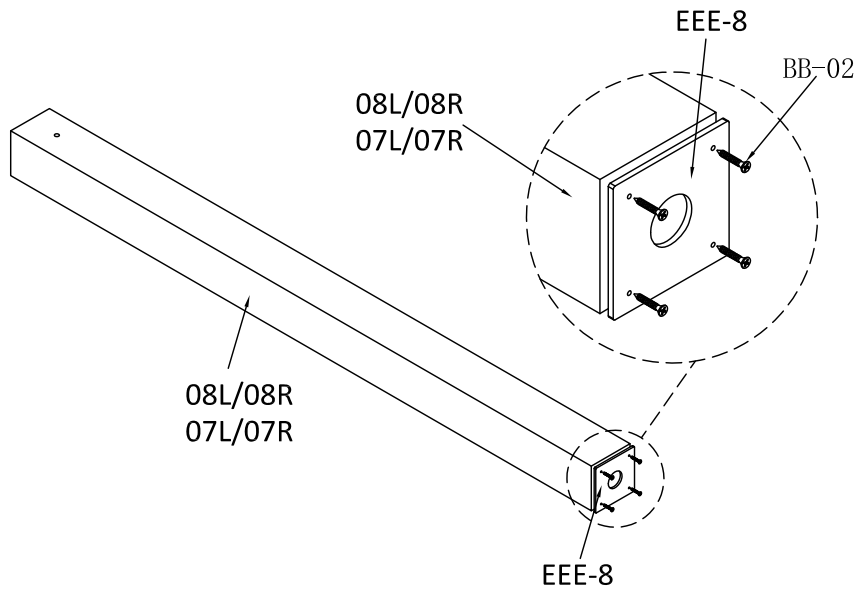
LABEL	QTY	REFERENCE IMAGE	LABEL	QTY	REFERENCE IMAGE
BBB-4A	4		AAA-5	8	
BBB-11	12		AAA-6	8	
FFF-5	2		DDD-3	4	
FFF-7	2		EEE-1	1	
EEE-2	1		EEE-3	1	
EEE-4	2		EEE-5	2	
EEE-6	2		EEE-7	4	
EEE-8	4				

LABEL	QTY	IMAGE
08L	1	
08R	1	
07L	1	
07R	1	
27L	2	
27R	2	
28L	2	
28R	2	
11C	4	
12A	2	
53A	2	
62A	6	
61C	6	
61D	3	

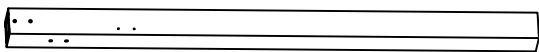
LABEL	QTY	IMAGE
H130	1	 <span style="float: right;">F</span>
H131	1	 <span style="float: right;">F</span>
H132	1	 <span style="float: right;">F</span>
B110	1	 <span style="float: right;">L</span>
B111	1	 <span style="float: right;">L</span>
B130	1	 <span style="float: right;">L</span>
B131	1	 <span style="float: right;">L</span>
B132	1	 <span style="float: right;">L</span>
C003	1	
C004	1	
C005	2	
E11	2	
A02	1	
I001	2	
I002	1	
I003	1	
I004	2	

LABEL	QTY	DESCRIPTION	REFERENCE IMAGE
AA-1	16+2	M4*15	
AA-02	26+2	M4*25	
AA-3	14+2	M4*30	
AA-05	18+2	M4*50	 
BB-02	26+2	M5*20	 
BB-2	45+4	M5*25	 
BB-03	27+3	M5*30	  
BB-3	16+1	M5*35	
BB-4	18+2	M5*40	
CC-2	2	M5*15	
DD-2	34+2	M6*15	
DD-4	12+1	M6*40	 
DD-5	8+1	M6*50	
EE-2	16+1	M8*20	 
EE-3	8+1	M8*30	 
EE-11	12+1	M8*110	 
FF-6	4	M10*60	 
MM	33+2	M6	
QQ	8+1	M10*80	
Y1	1	M6	
Y2	2	M6	
Y3	1	M10	
Y4	1	M8	
Y5	1	M8	
Y6	1	M6	
Y7	1	M6	
Y8	1	M8	

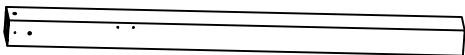
# STEP. 1



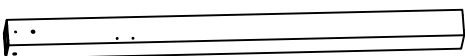
**08L** 1X



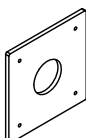
**08R** 1X



**07L** 1X



**07R** 1X



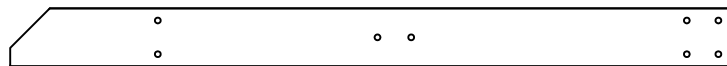
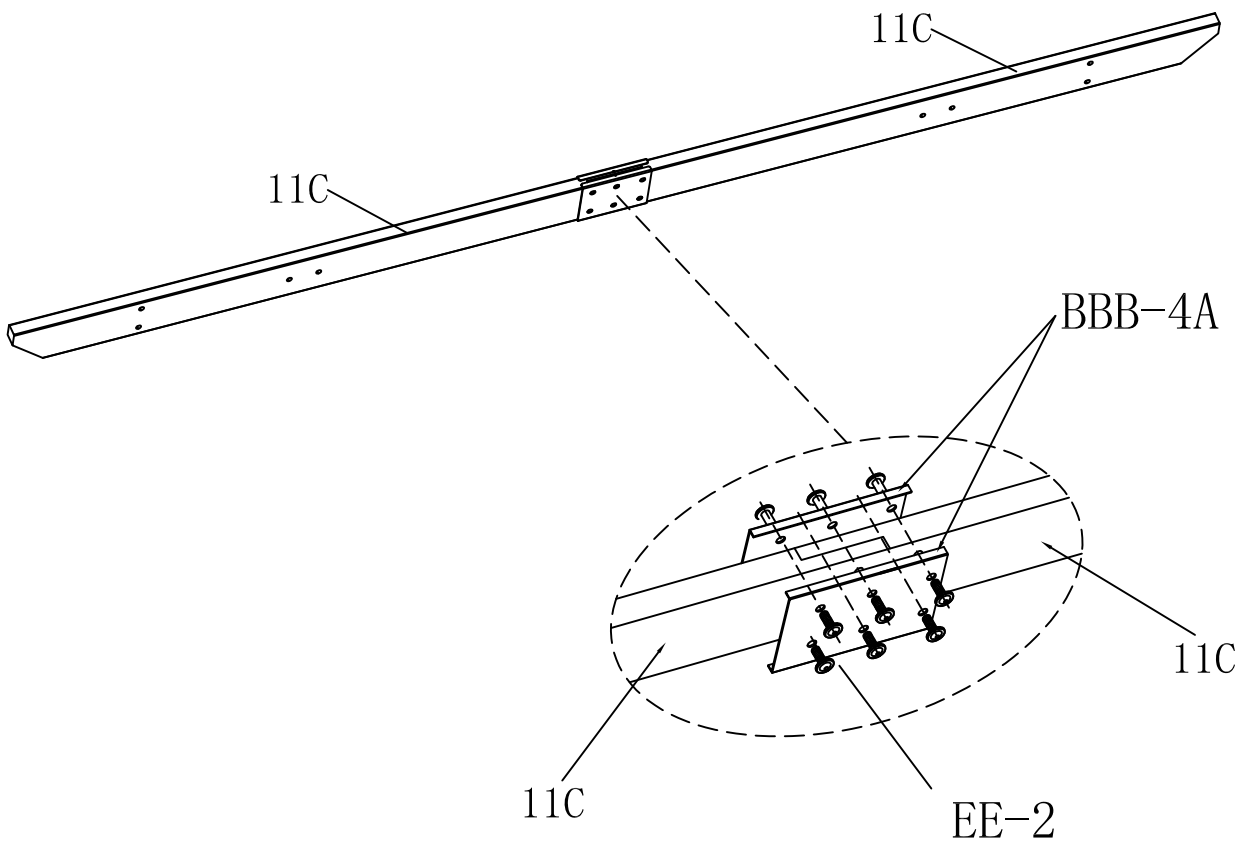
**EEE-8** 4X



**BB-02** 16X

STEP. 2

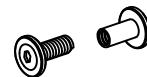
\*2



11C 4X

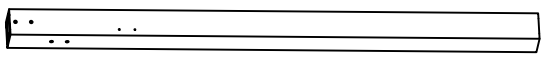
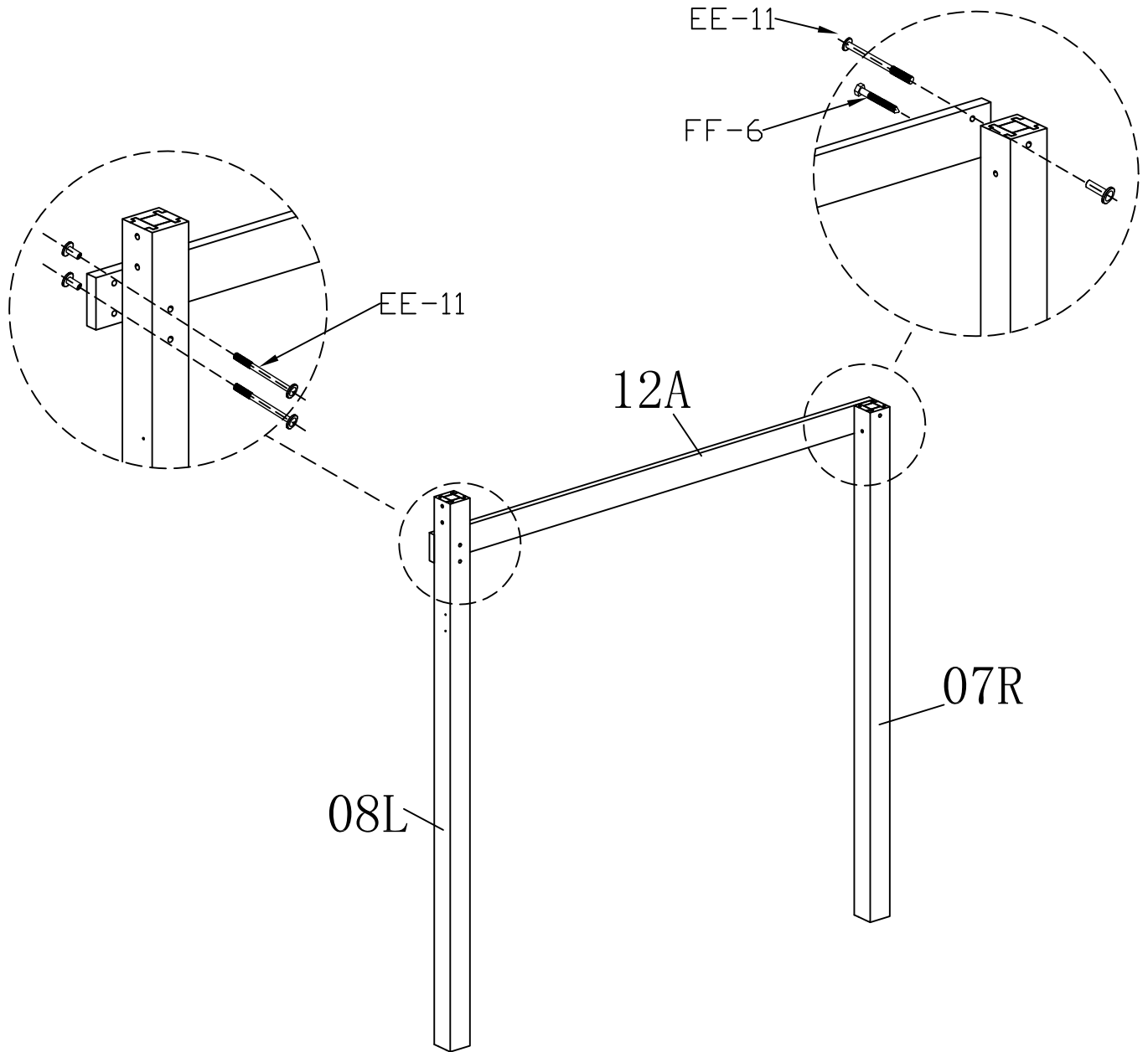


BBB-4A 4X

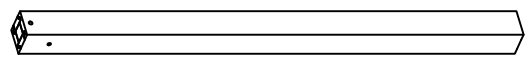


M8\*20 EE-2 12X

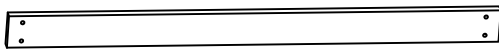
# STEP. 3



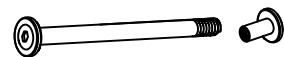
08L 1X



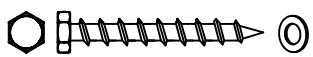
07R 1X



12A 1X

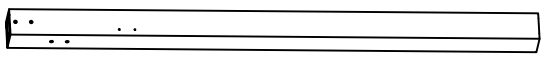
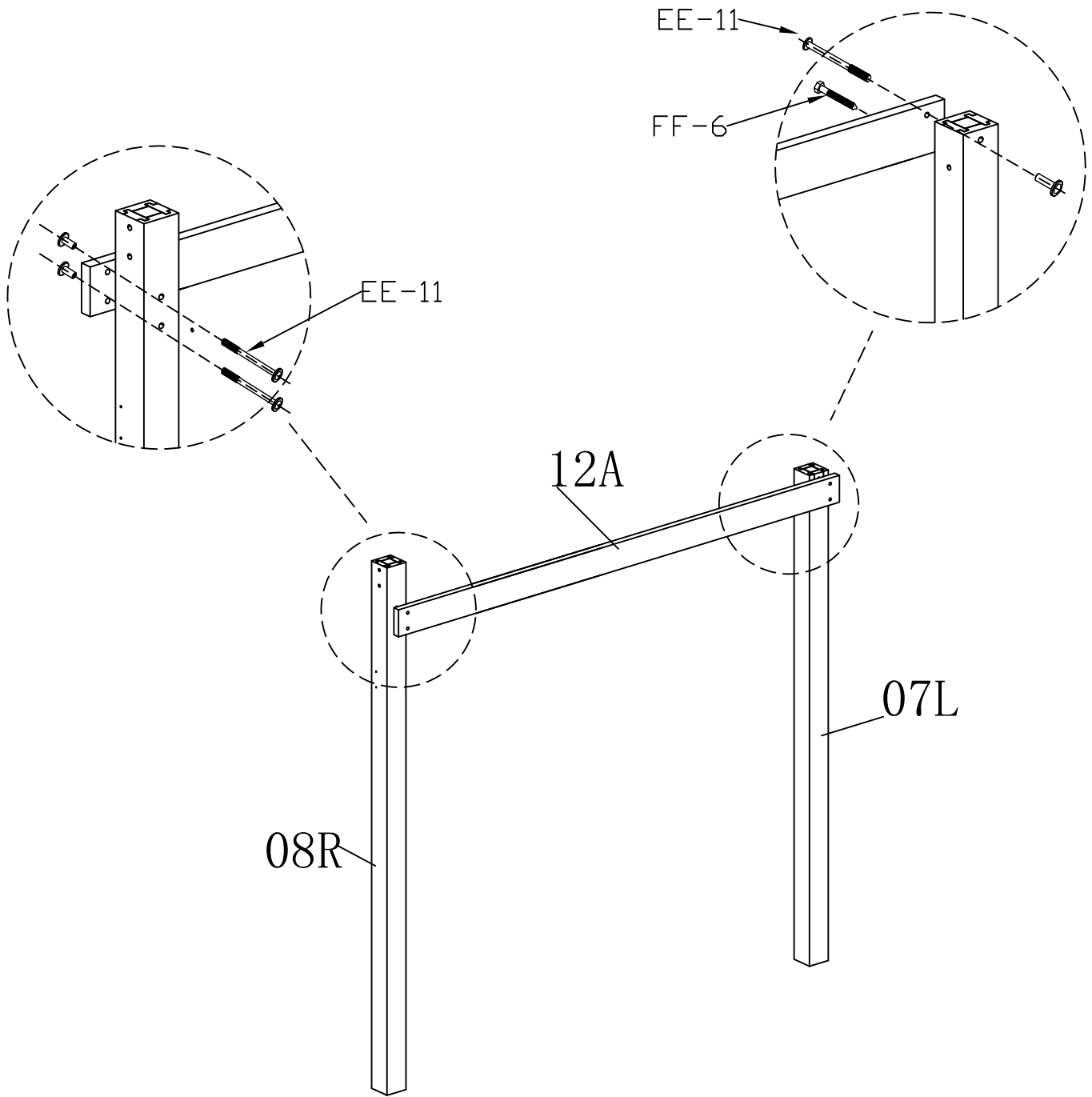


M8\*110 3X EE-11

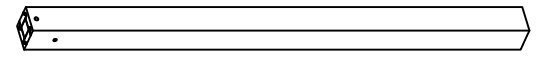


FF-6 M10\*60 1X

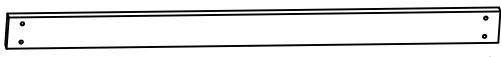
# STEP. 4



08R 1X



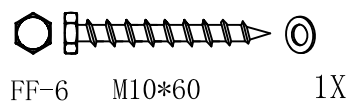
07L 1X



12A 1X

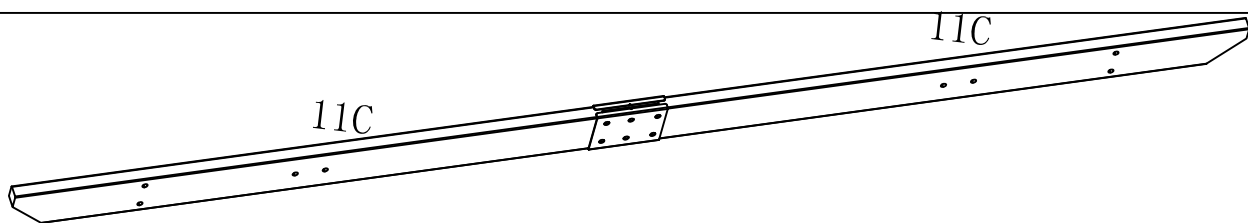
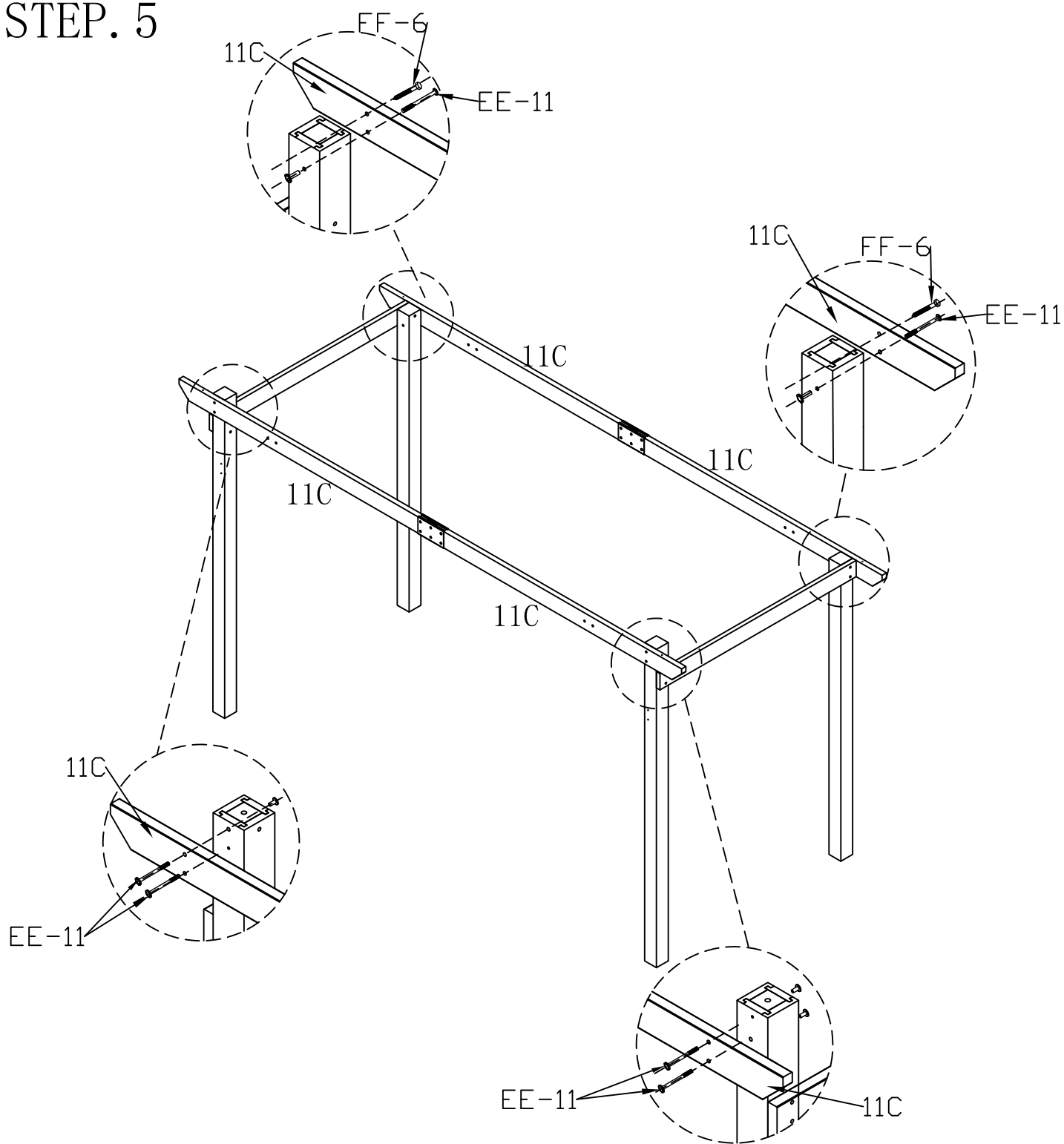


M8\*110 3X EE-11



FF-6 M10\*60 1X

# STEP. 5



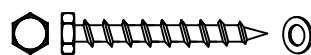
2X



EE-11

6X

M8\*110

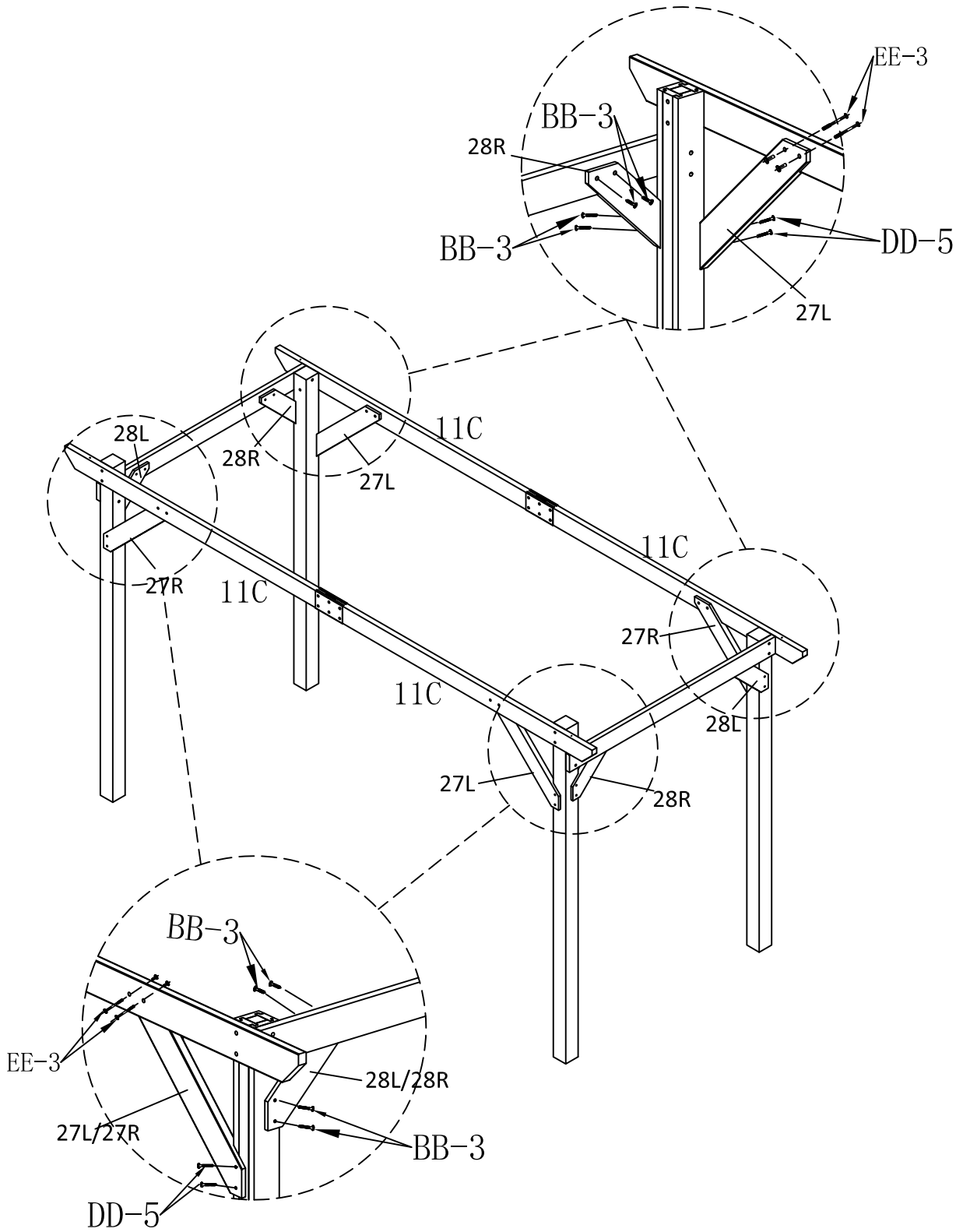


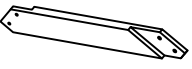



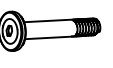

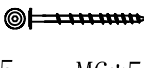
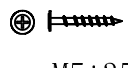
FF-6

M10\*60

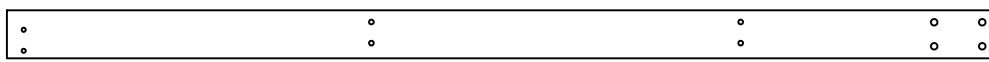
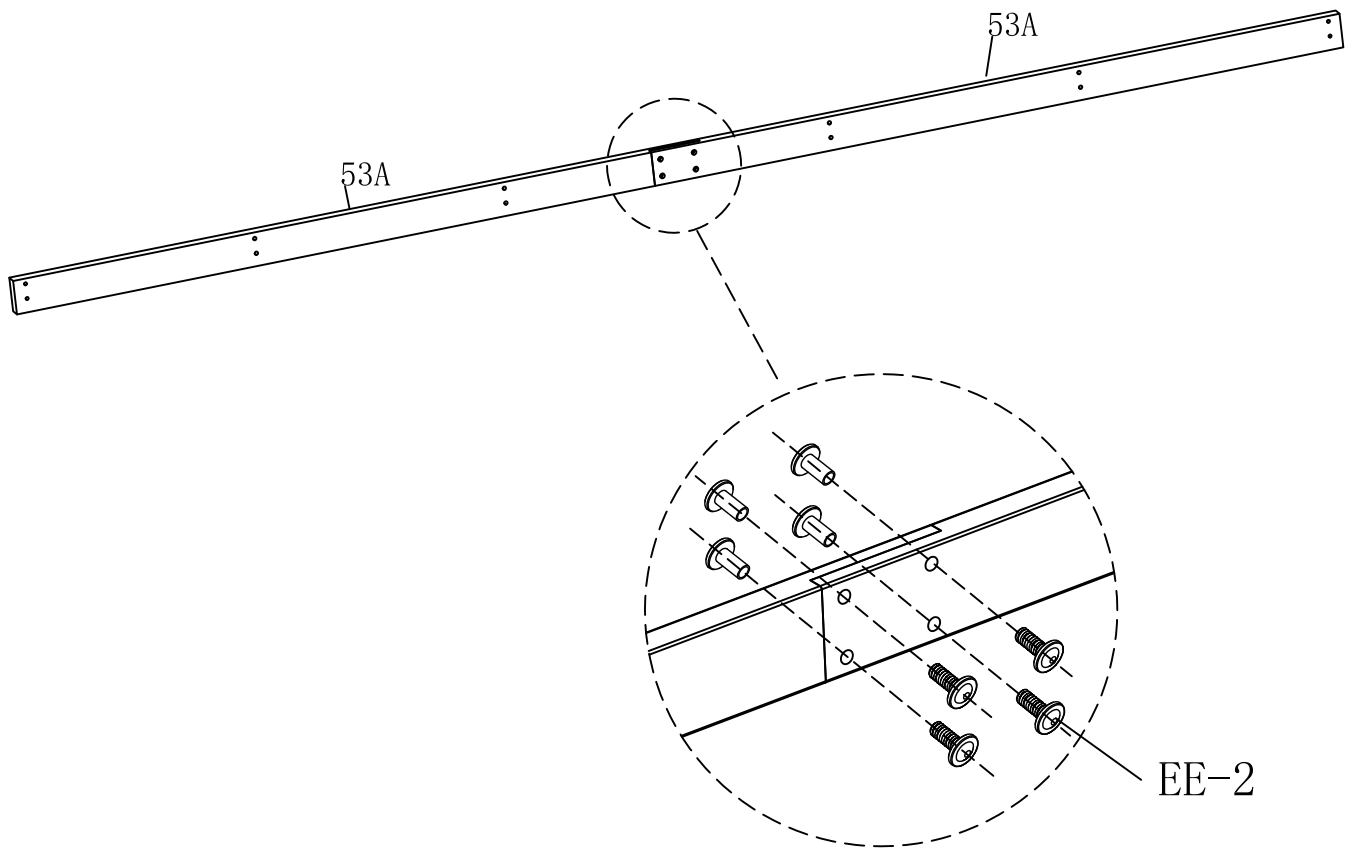
2X

# STEP. 6



 27L                      2X	 27R                      2X	 28L                      2X	 28R                      2X
	 EE-3    8X            M8*30	 DD-5    M6*50    8X	 BB-3    M5*35    16X

# STEP. 7



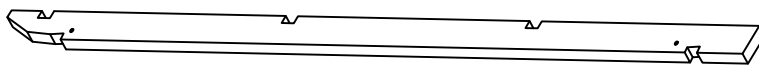
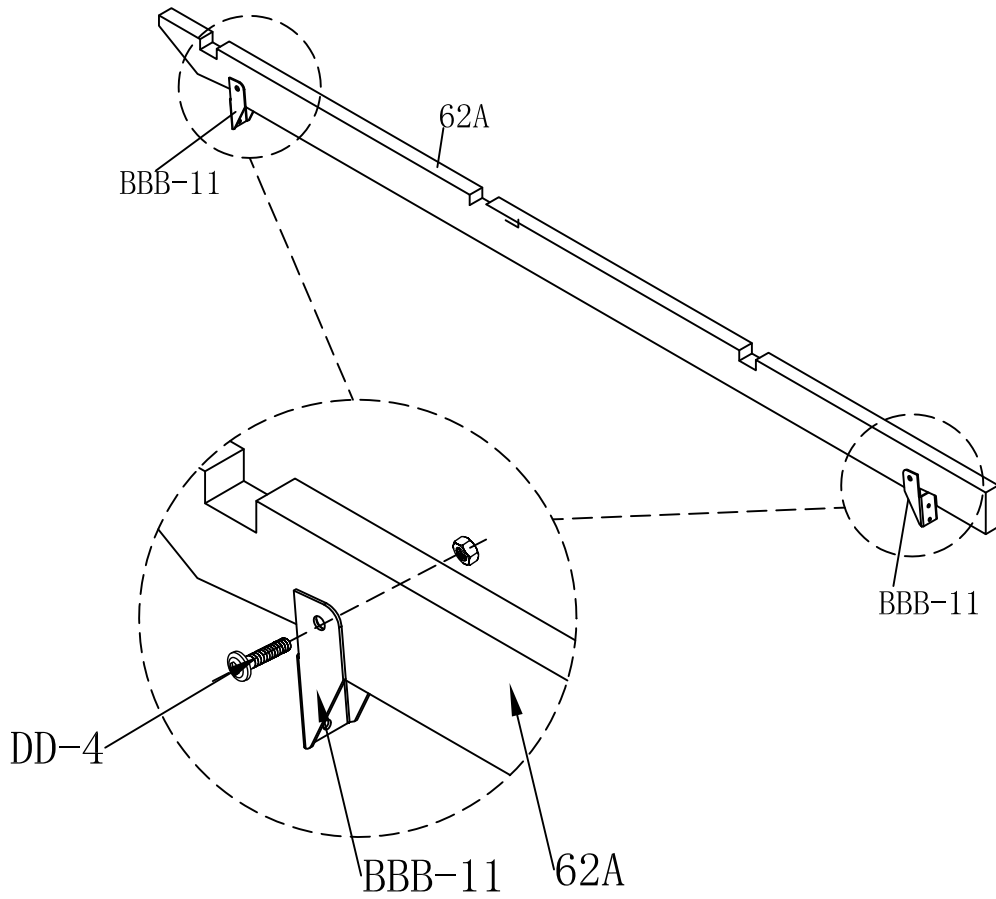
53A 2X



M8\*20

EE-2 4X

# STEP. 8



62A 6X



BBB-11 12X

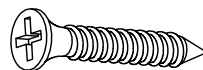
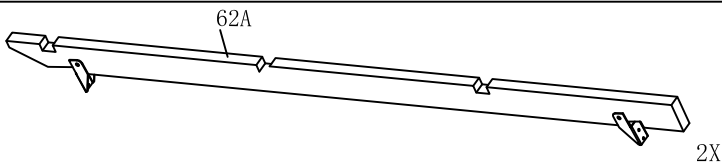
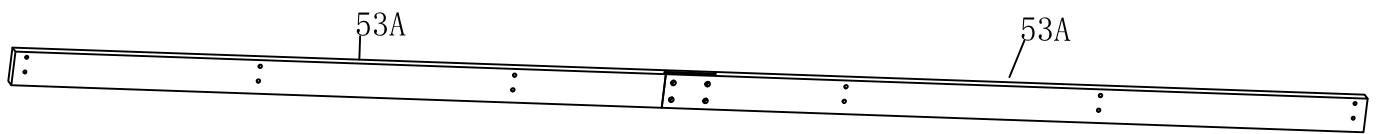
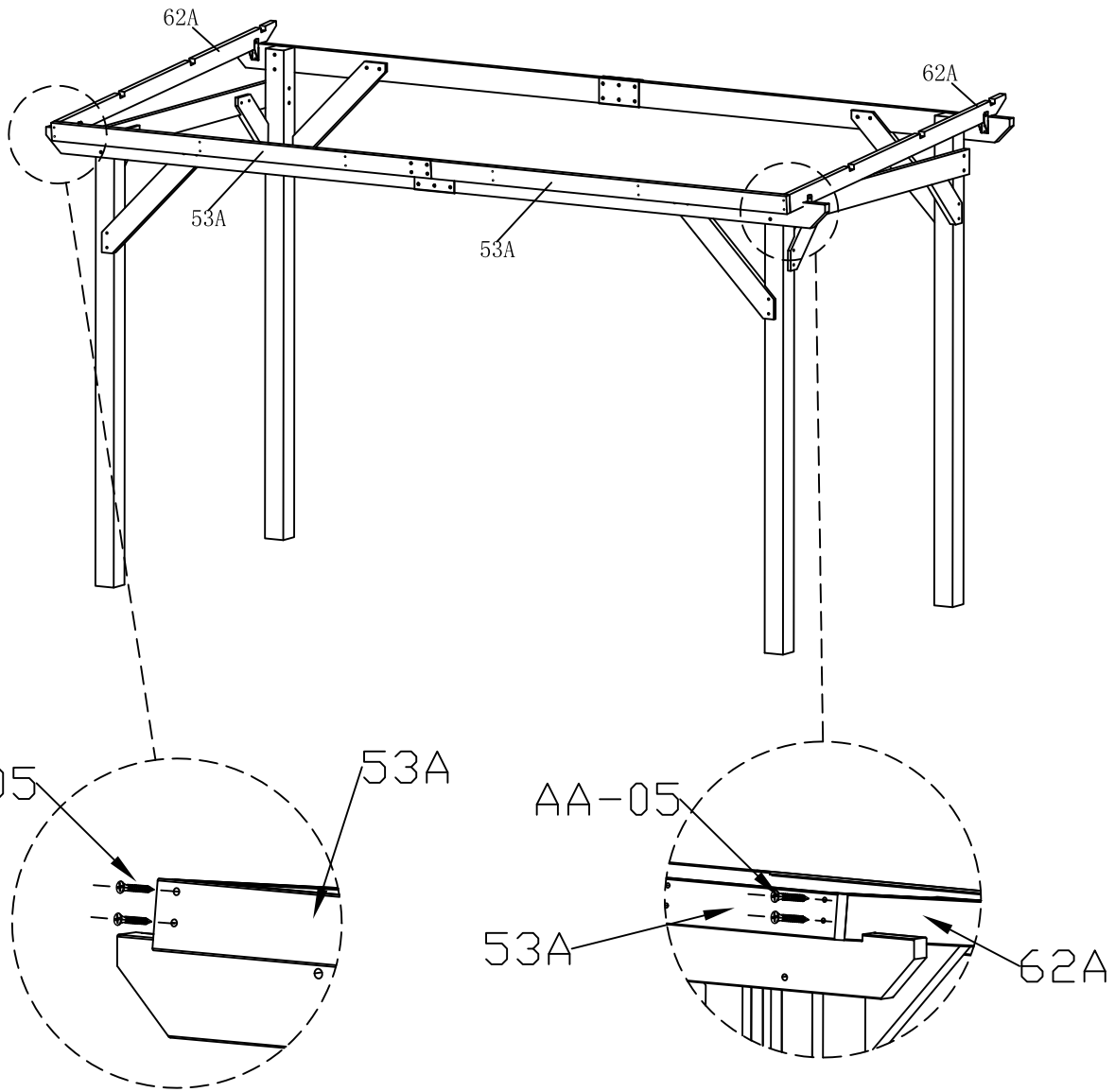


M6\*40



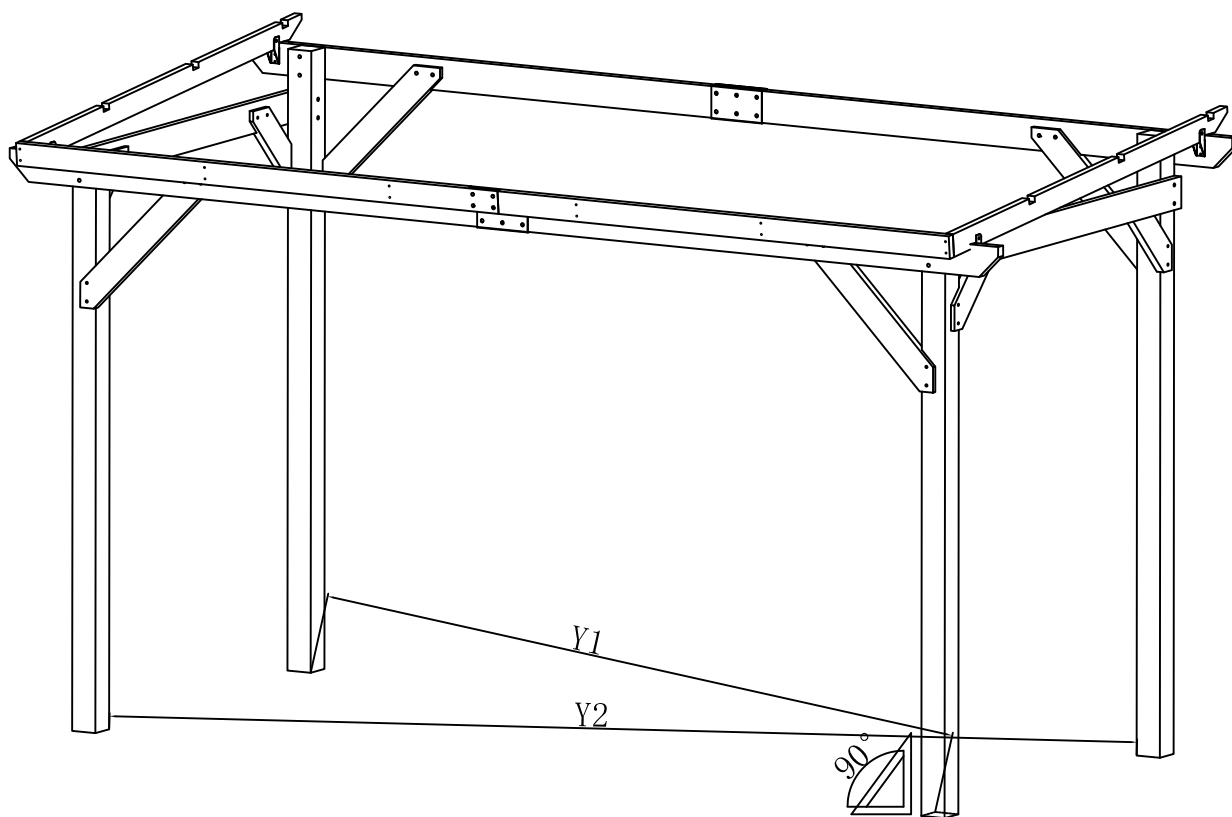
DD-4 12X

# STEP. 9



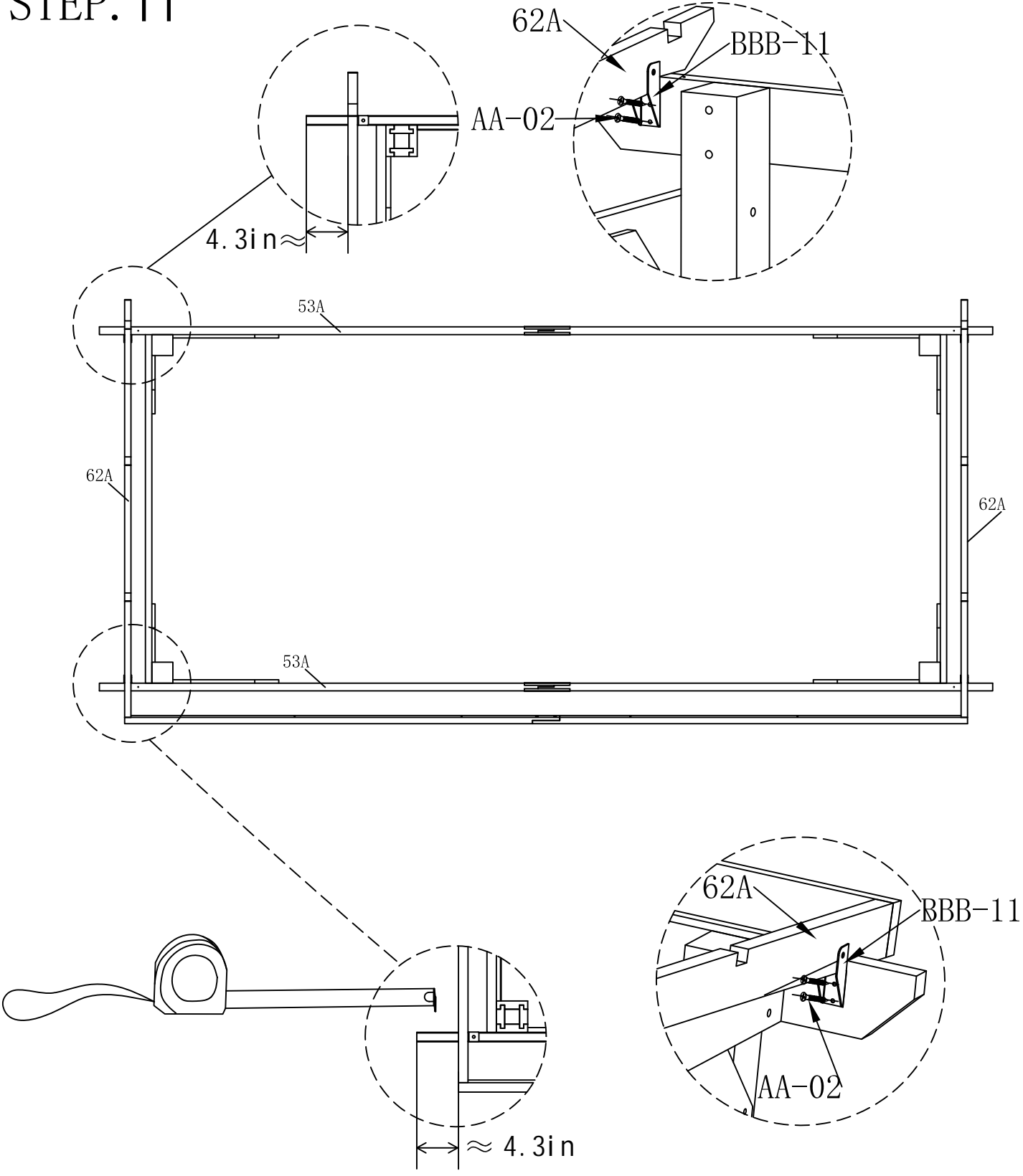
M4\*50 AA-05 4X

# STEP. 10



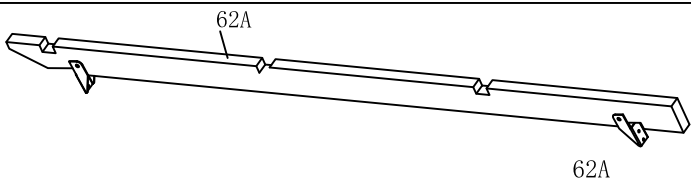
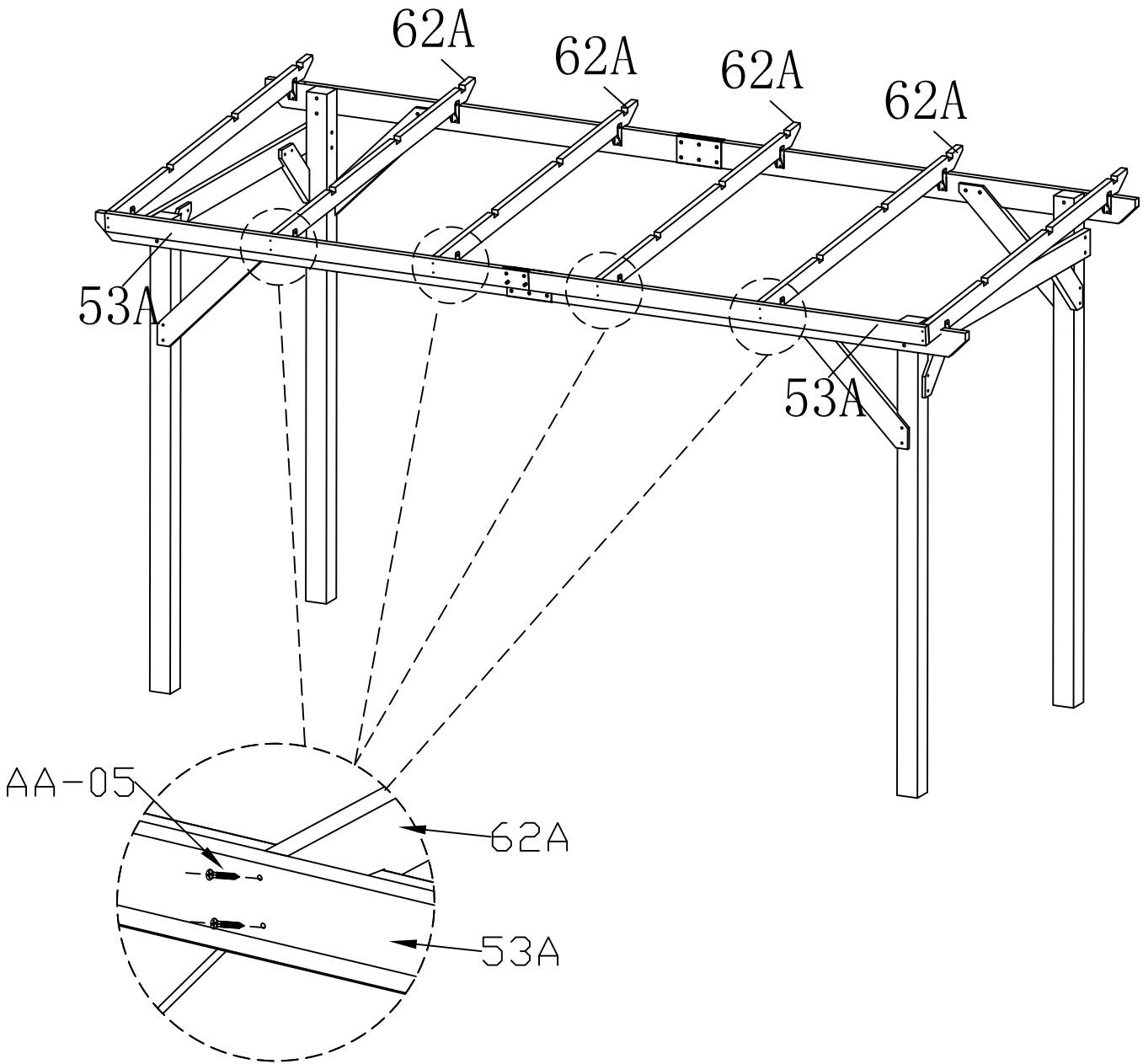
$$Y1=Y2$$

# STEP. 11

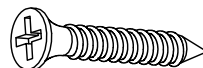


M4\*25 AA-02 4X

# STEP. 12



62A 4X

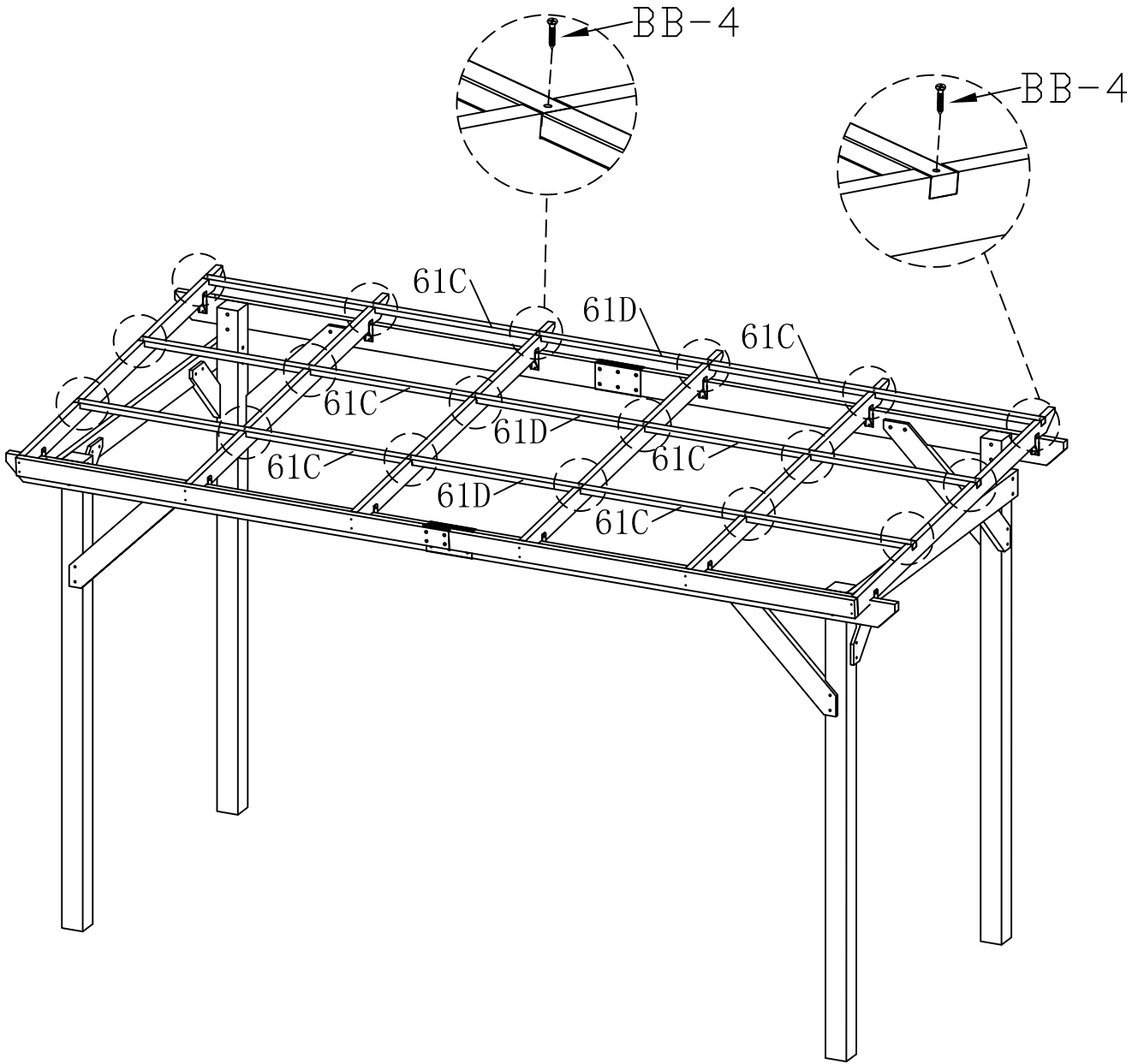


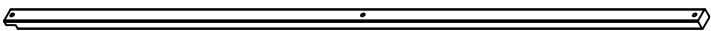
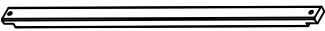
M4\*50


AA-05

8X

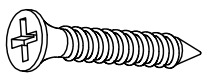
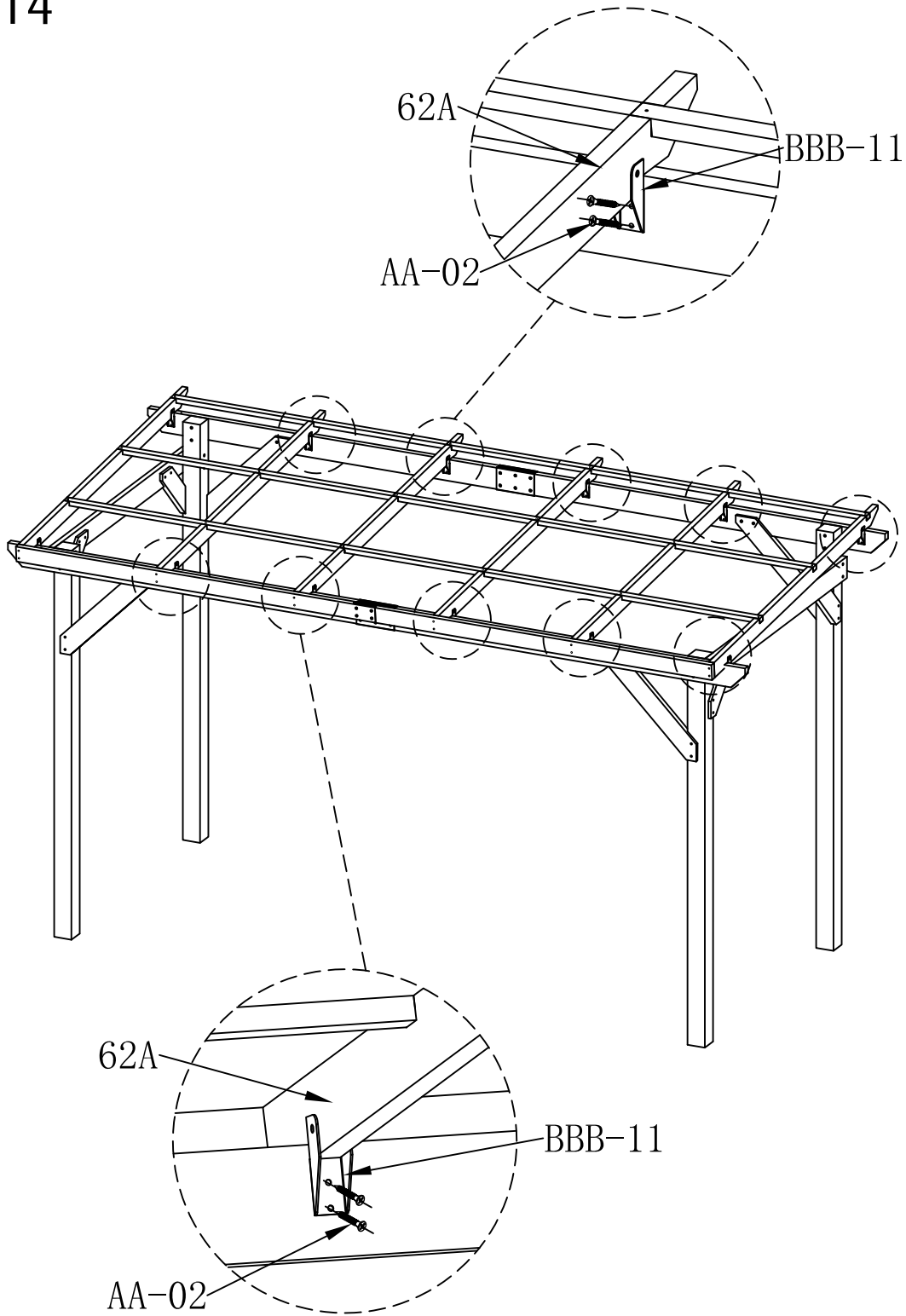
# STEP. 13



	61C 6X
	61D 3X

	M5*40	BB-4	18X
--	-------	------	-----

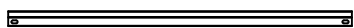
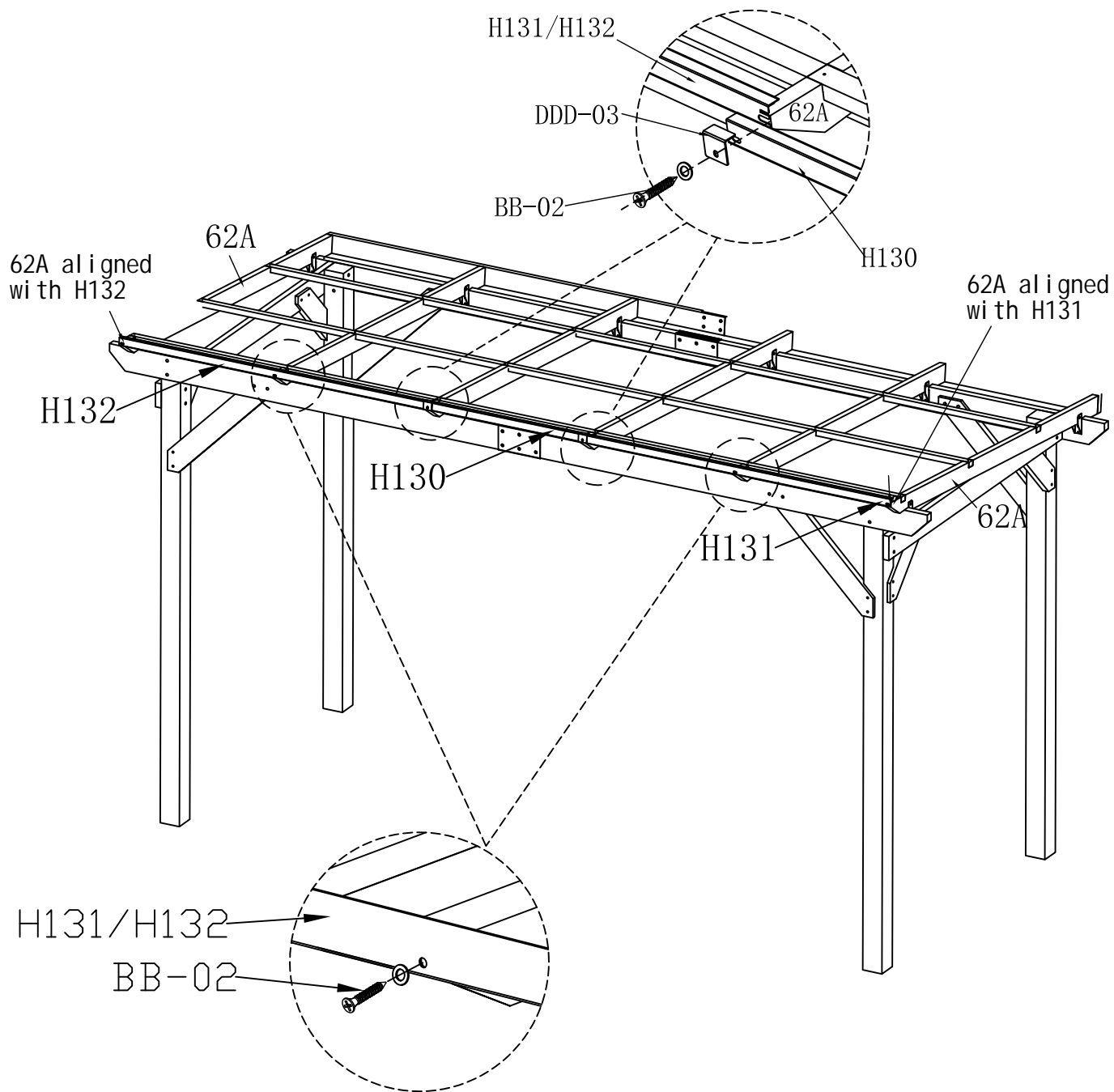
# STEP. 14



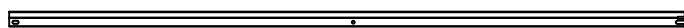
M4\*25

AA-02 20X

# STEP. 15



H130 1X



H131 1X



H132 1X

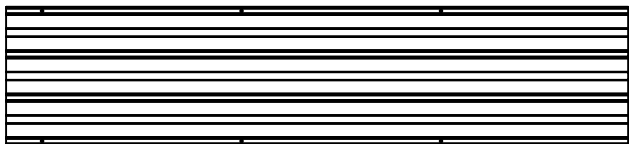
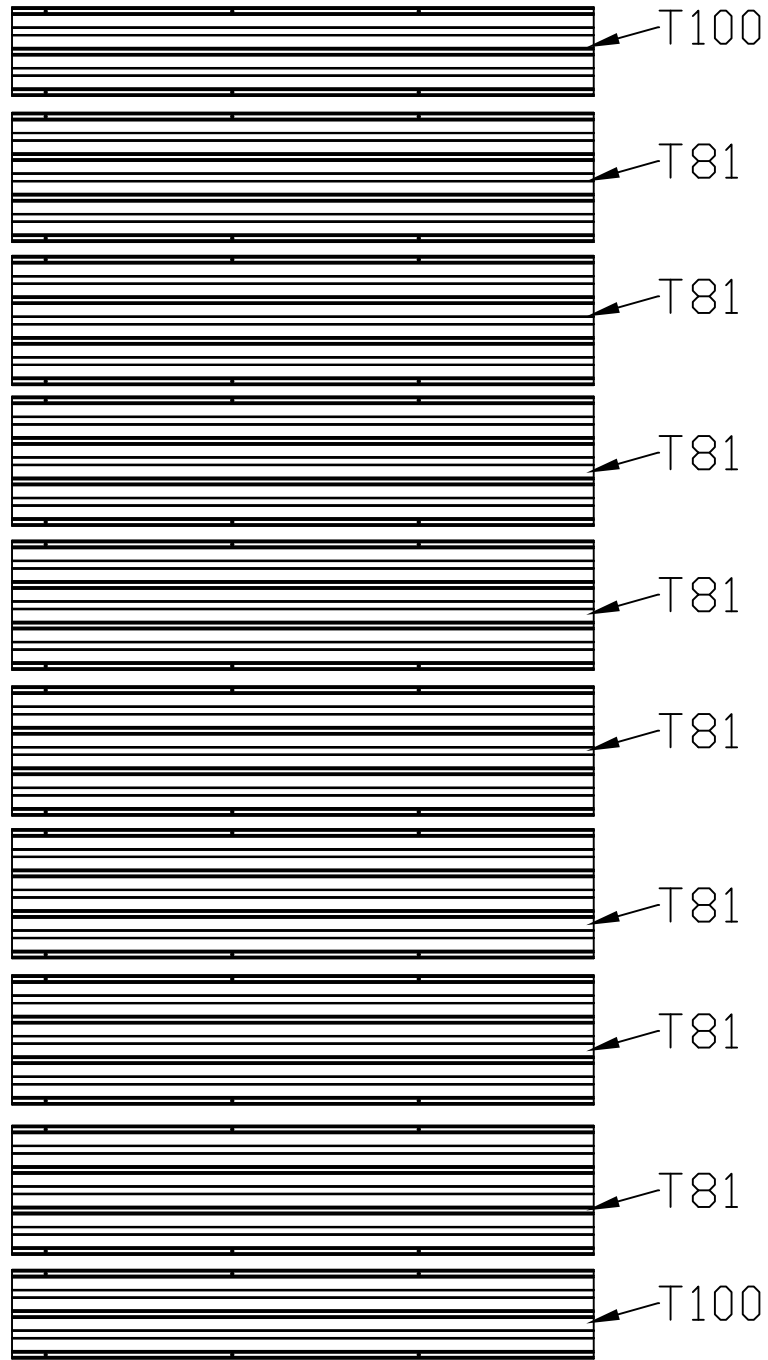


DDD-3 2X

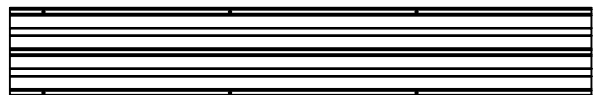


M5\*20 BB-02 4X

# STEP. 16

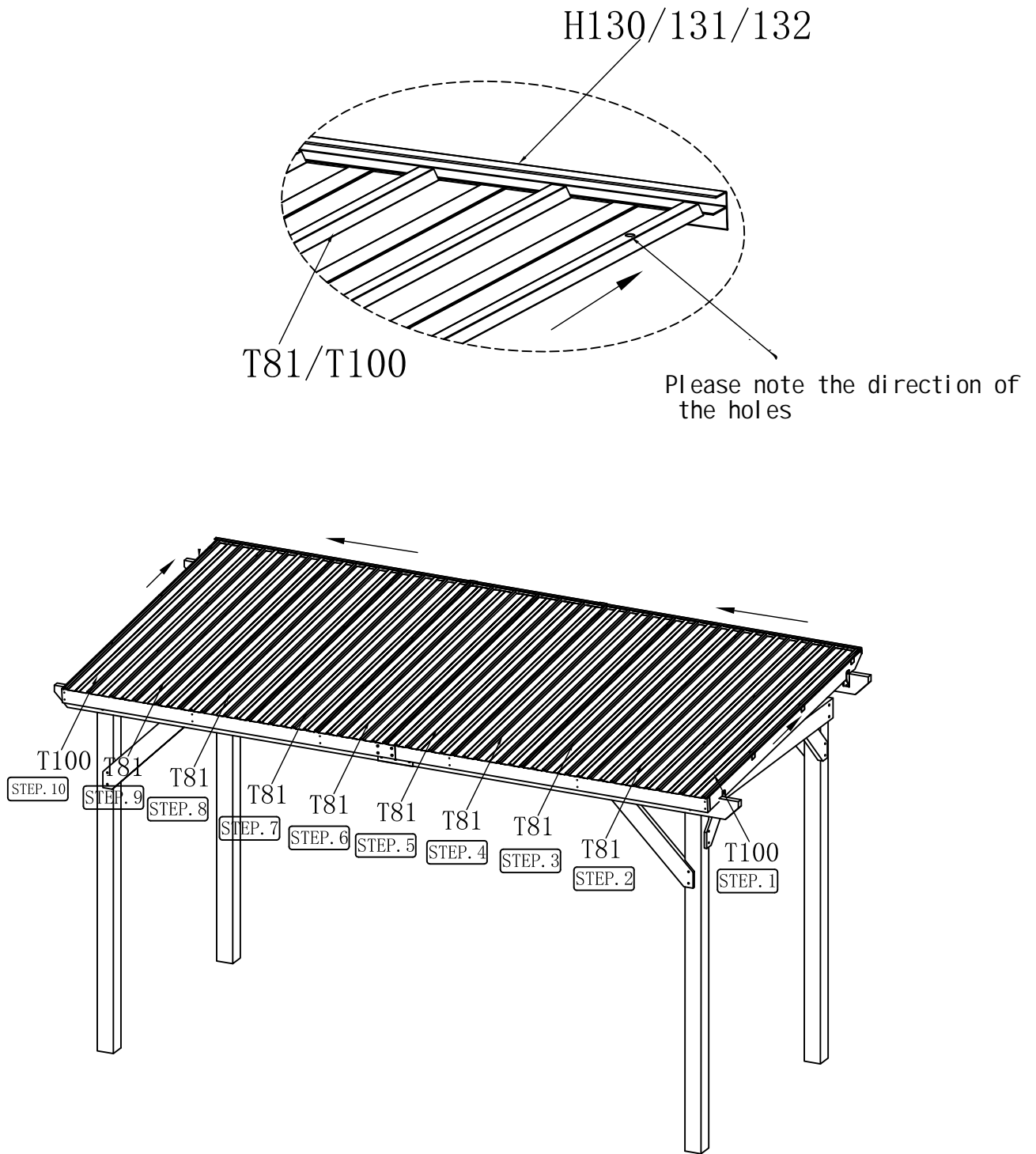


T81 8X

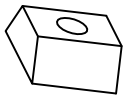
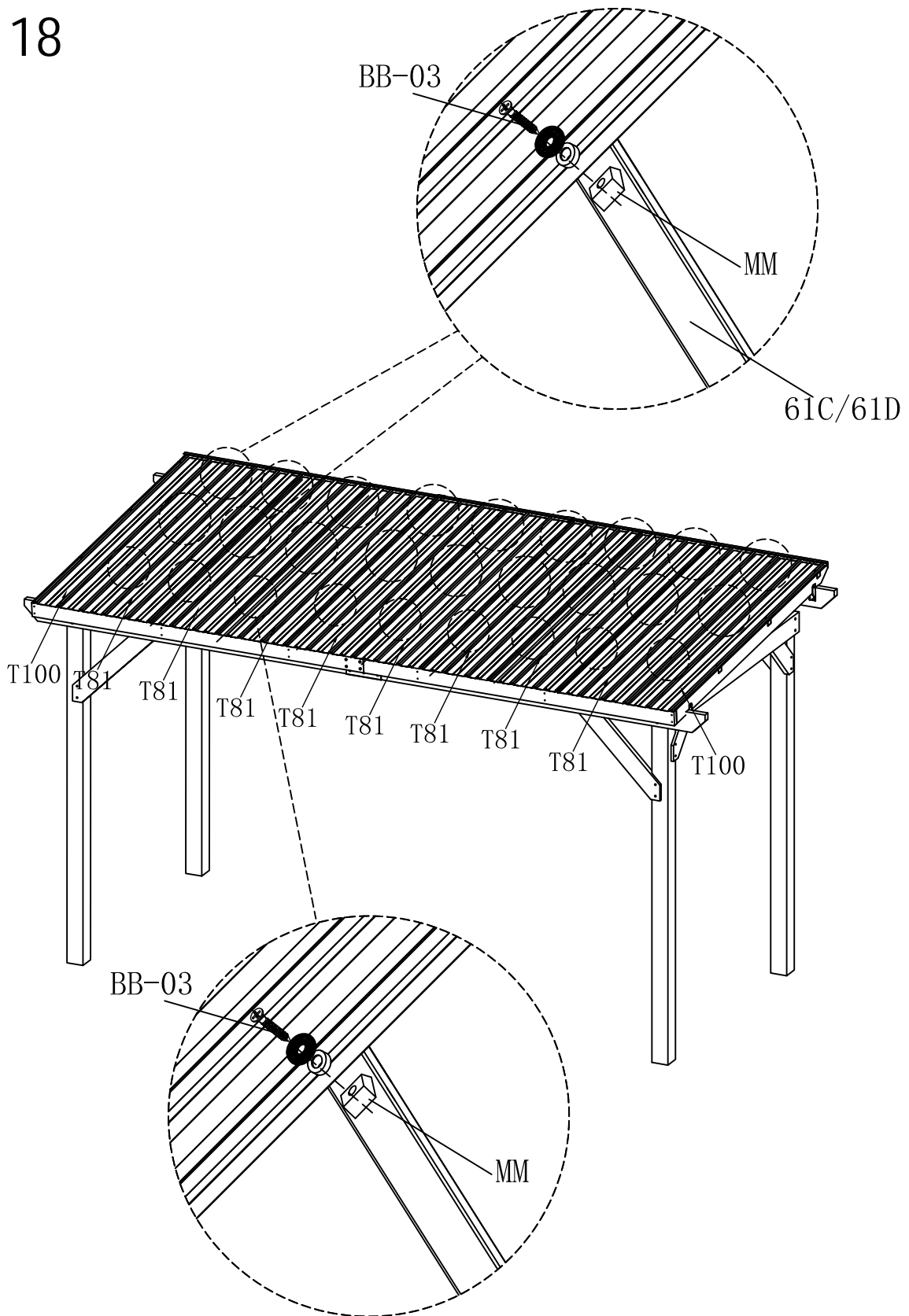


T100 2X

# STEP. 17



# STEP. 18

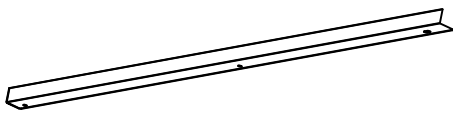
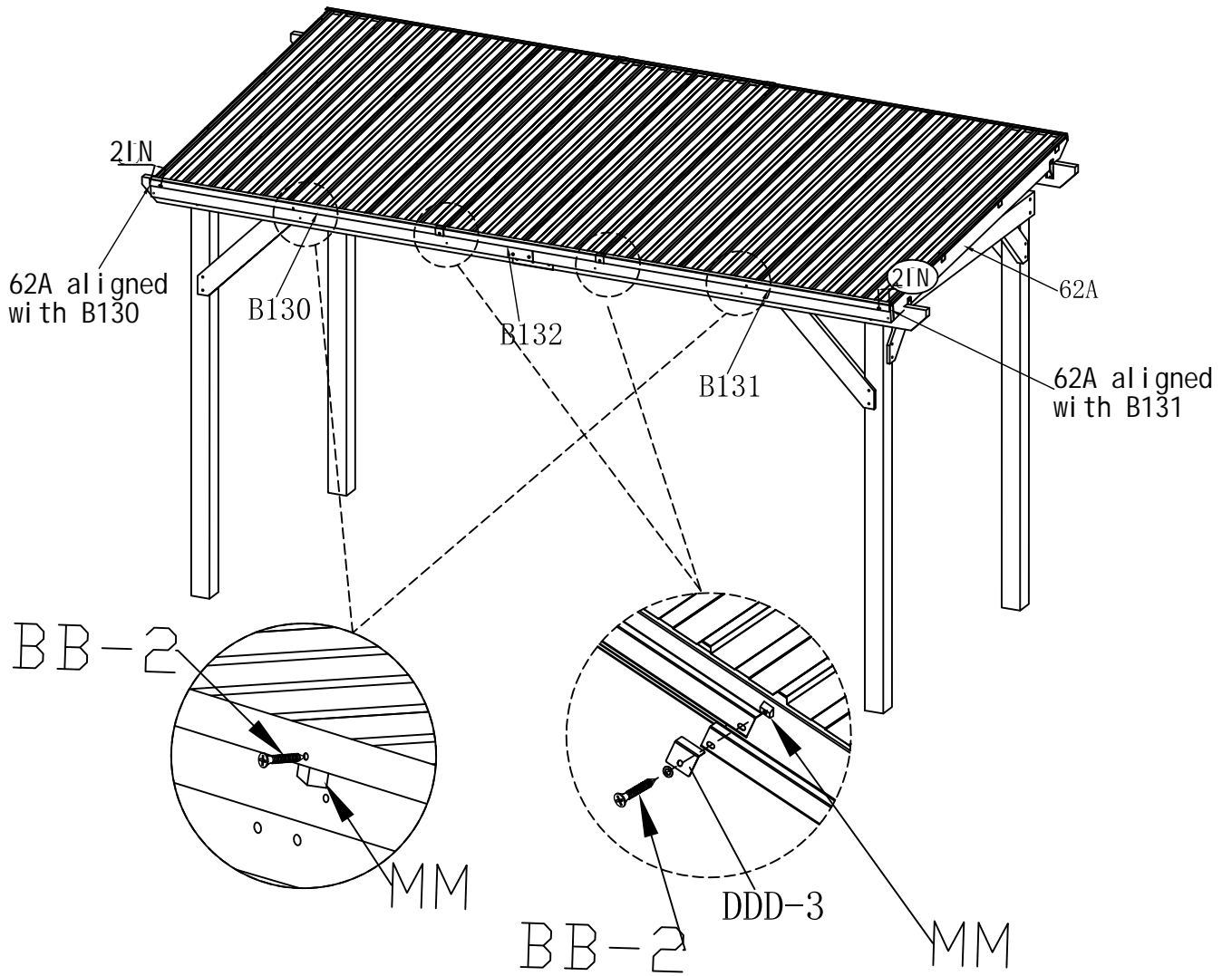


MM 27X

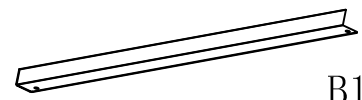


M5\*30 BB-03 27X

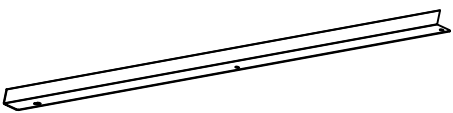
# STEP. 19



B130 1X



B132 1X



B131 1X



MM 4X

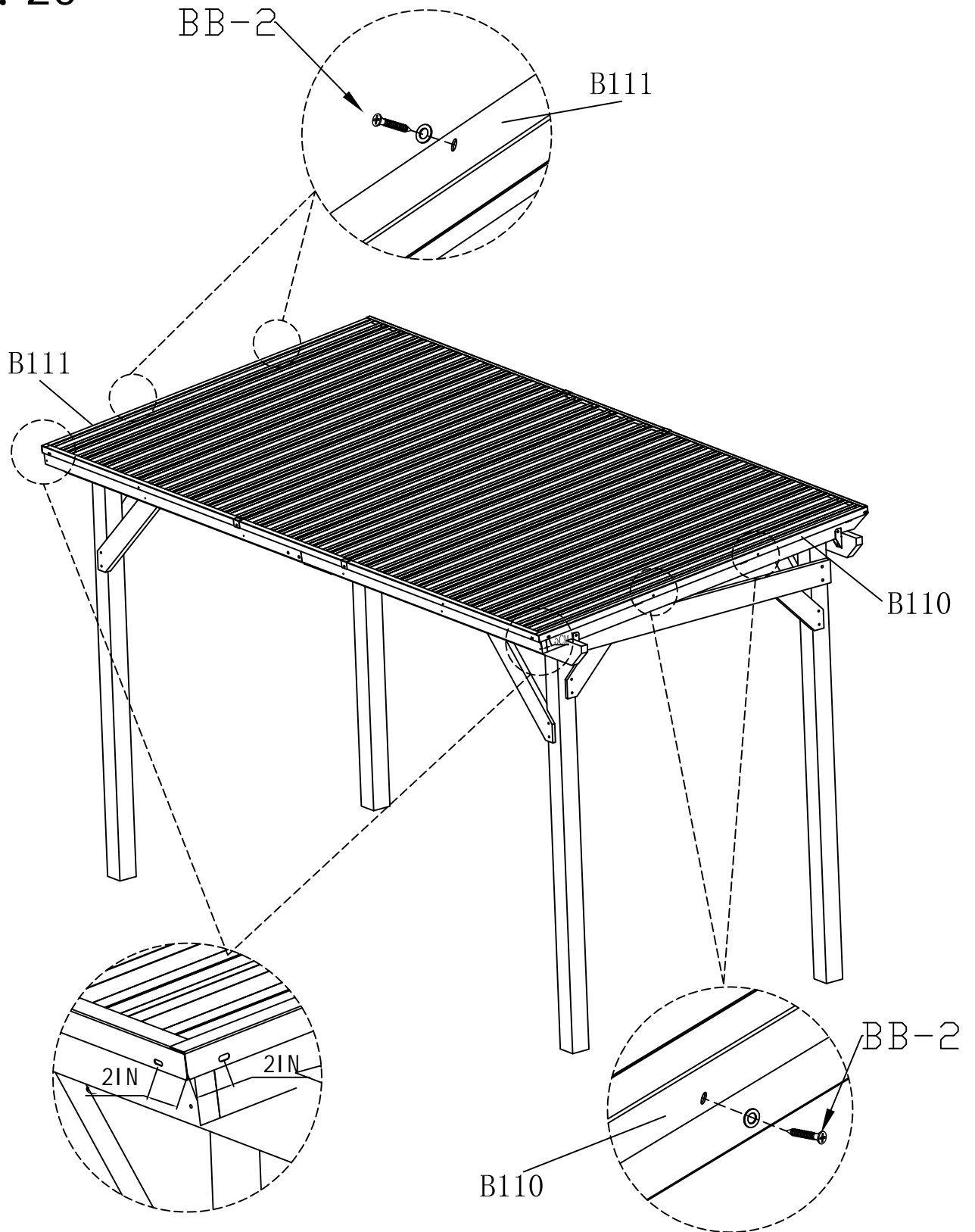


DDD-3 2X



M5\*25 BB-2 4X

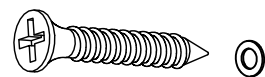
# STEP. 20



B110 1X



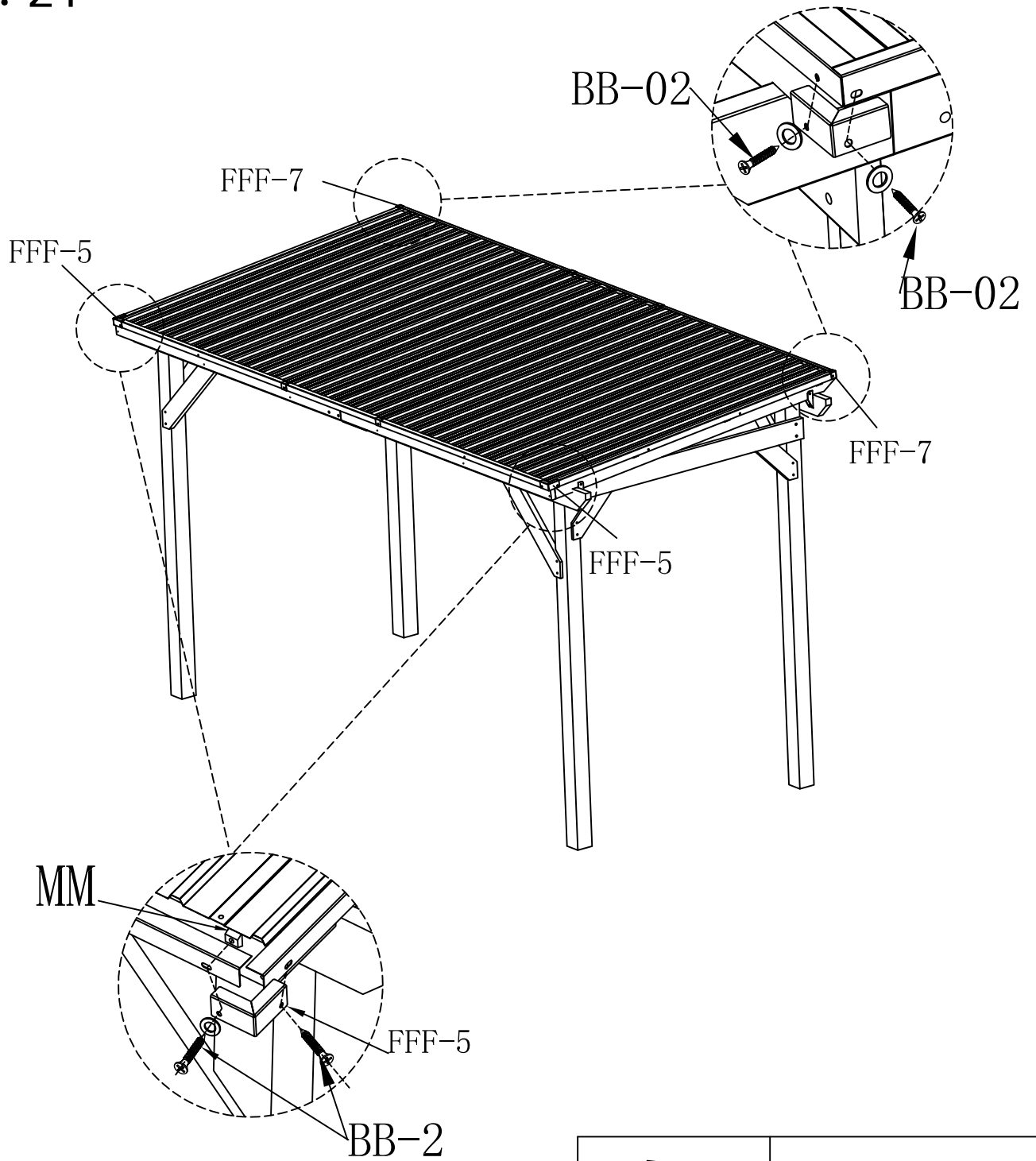
B111 1X

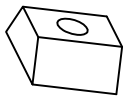



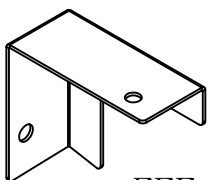
M5\*25

BB-2 4X

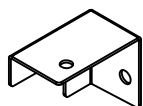
# STEP. 21



	
MM 2X	M5*25 BB-2 4X



FFF-5 2X

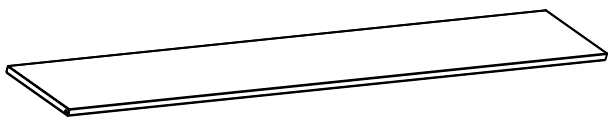
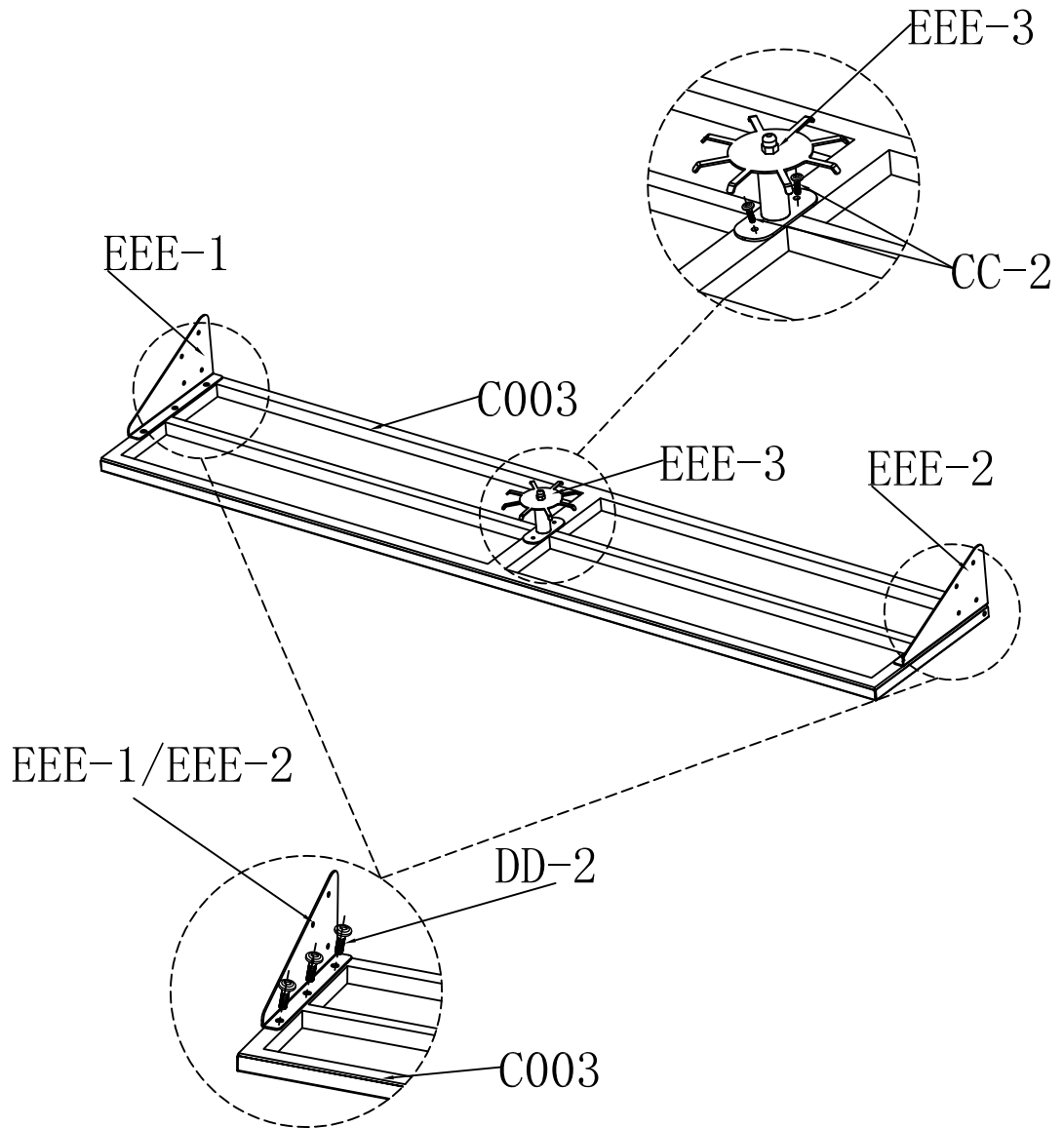


FFF-7 2X



M5\*20 BB-02 4X

# STEP. 22



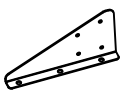
C003 1X



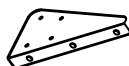
M6\*15 DD-2 6X



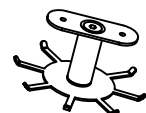
M5\*15 CC-2 2X



EEE-1 1X

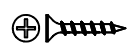
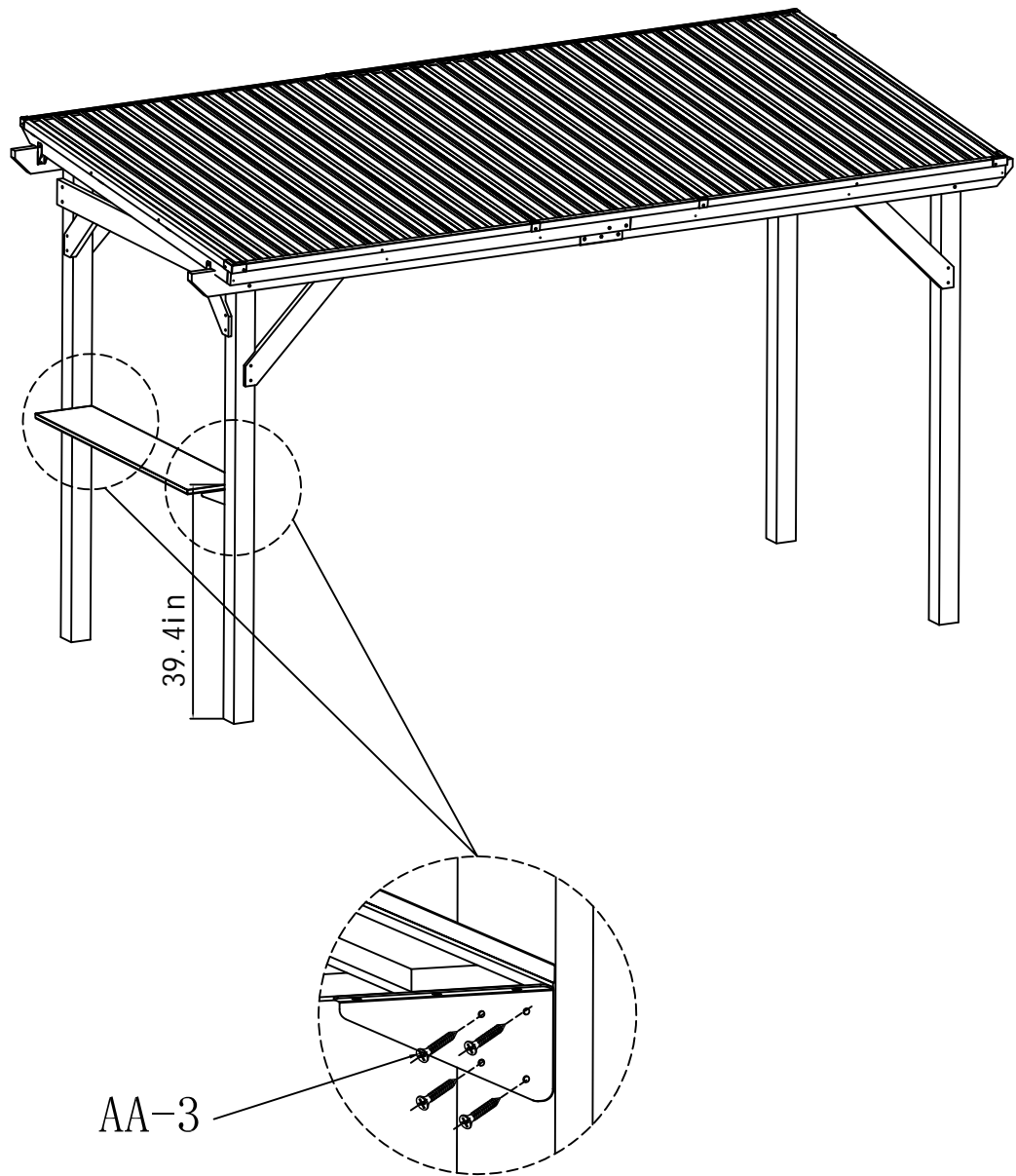


EEE-2 1X



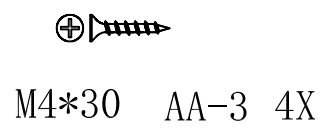
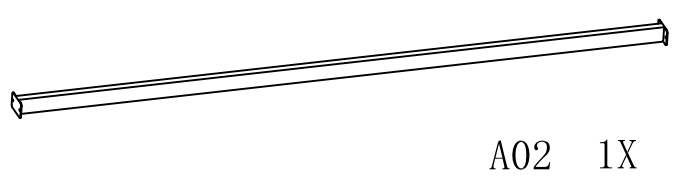
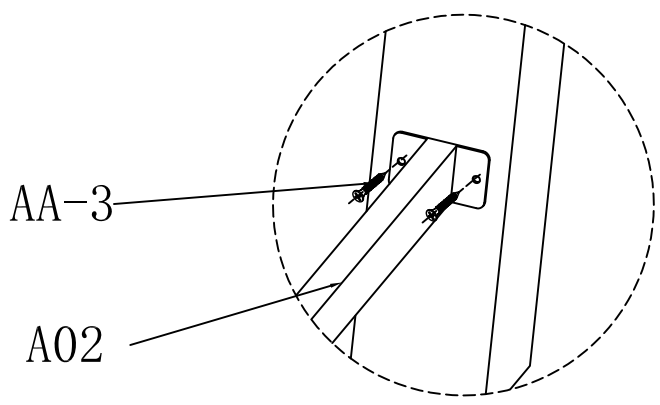
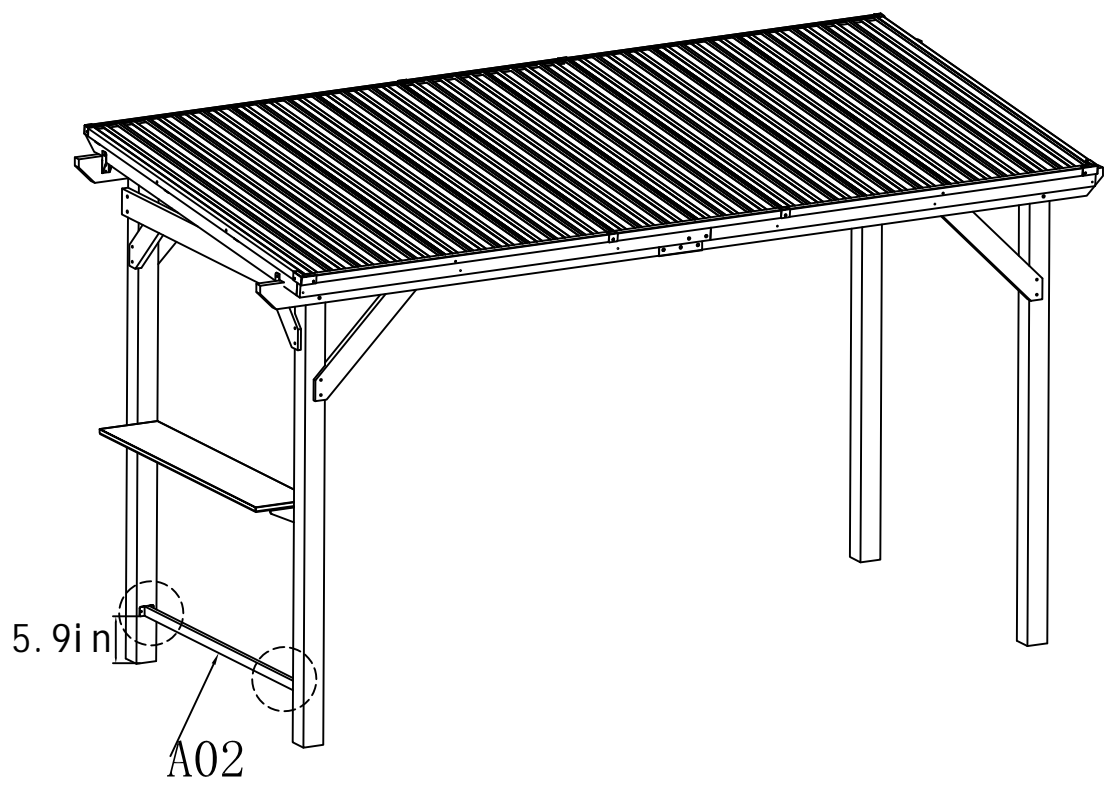
EEE-3 1X

# STEP. 23

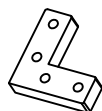
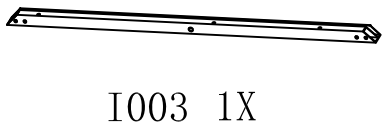
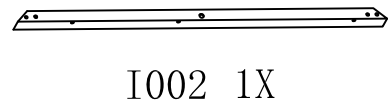
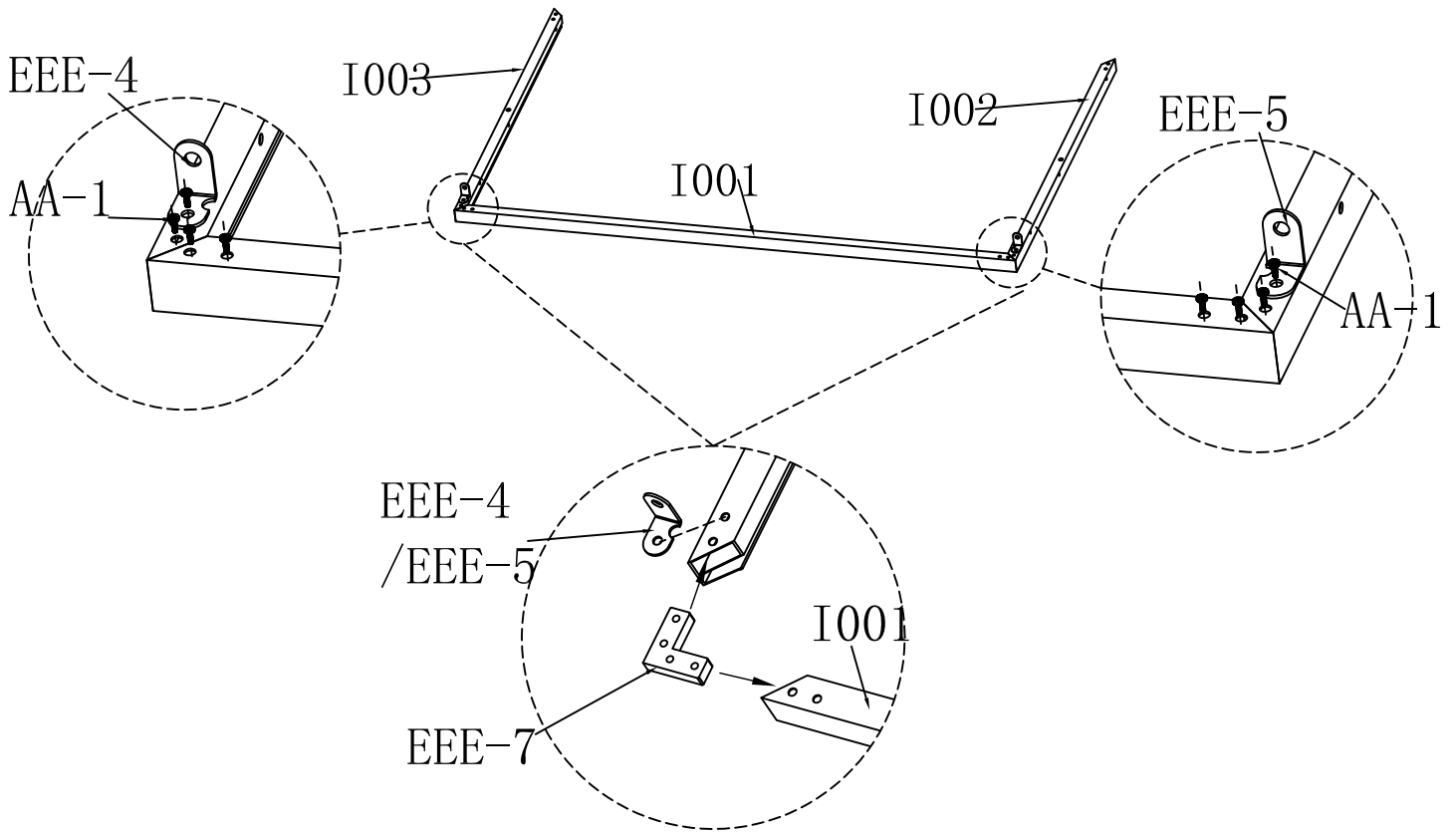


M4\*30 AA-3 8X

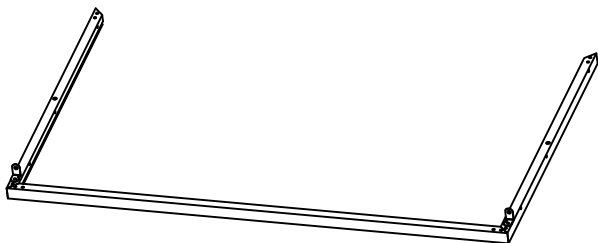
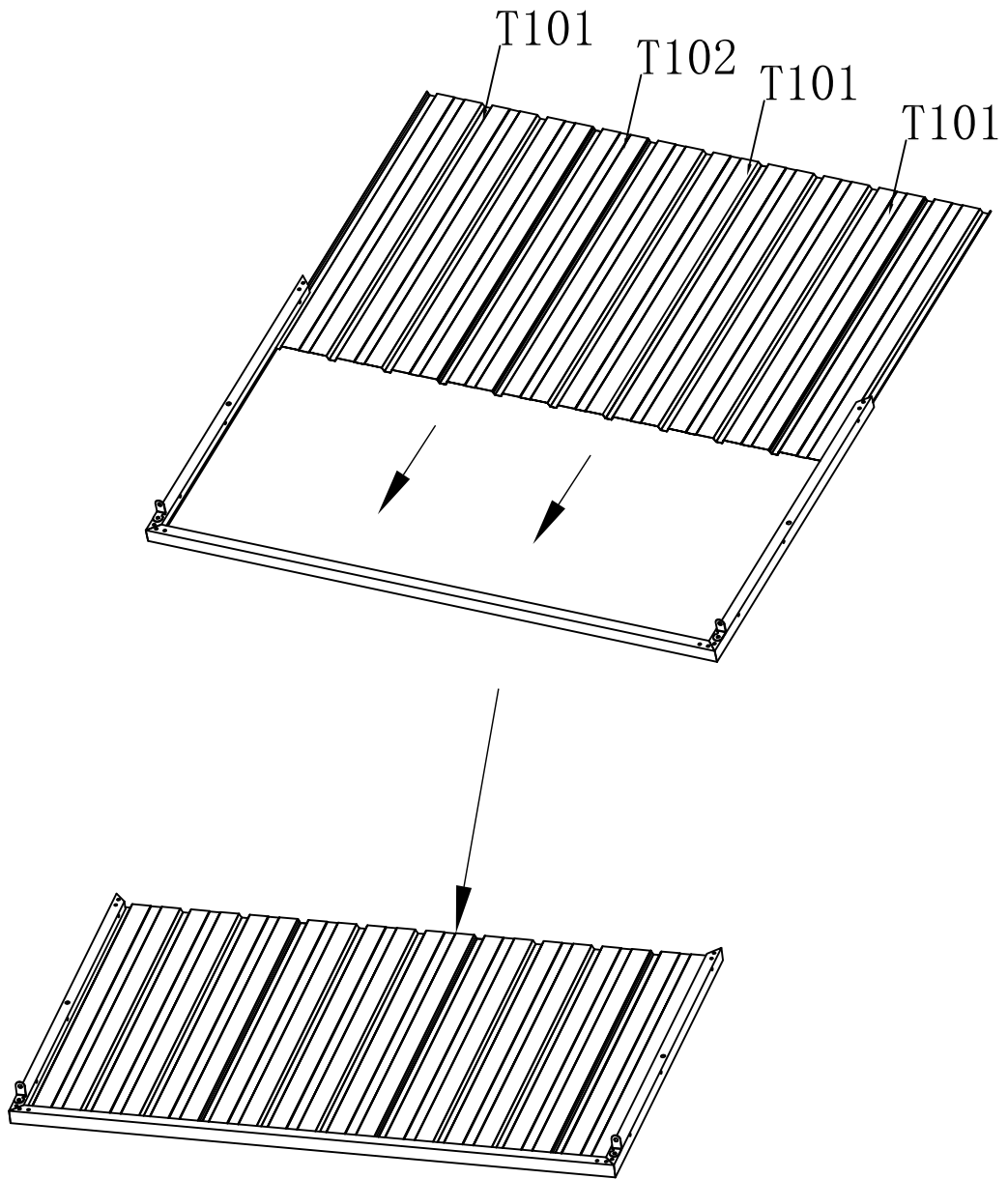
# STEP. 24



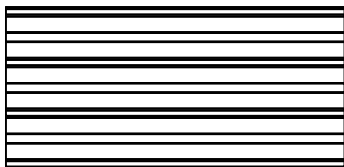
# STEP. 25



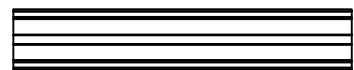
# STEP. 26



1X

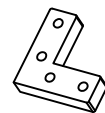
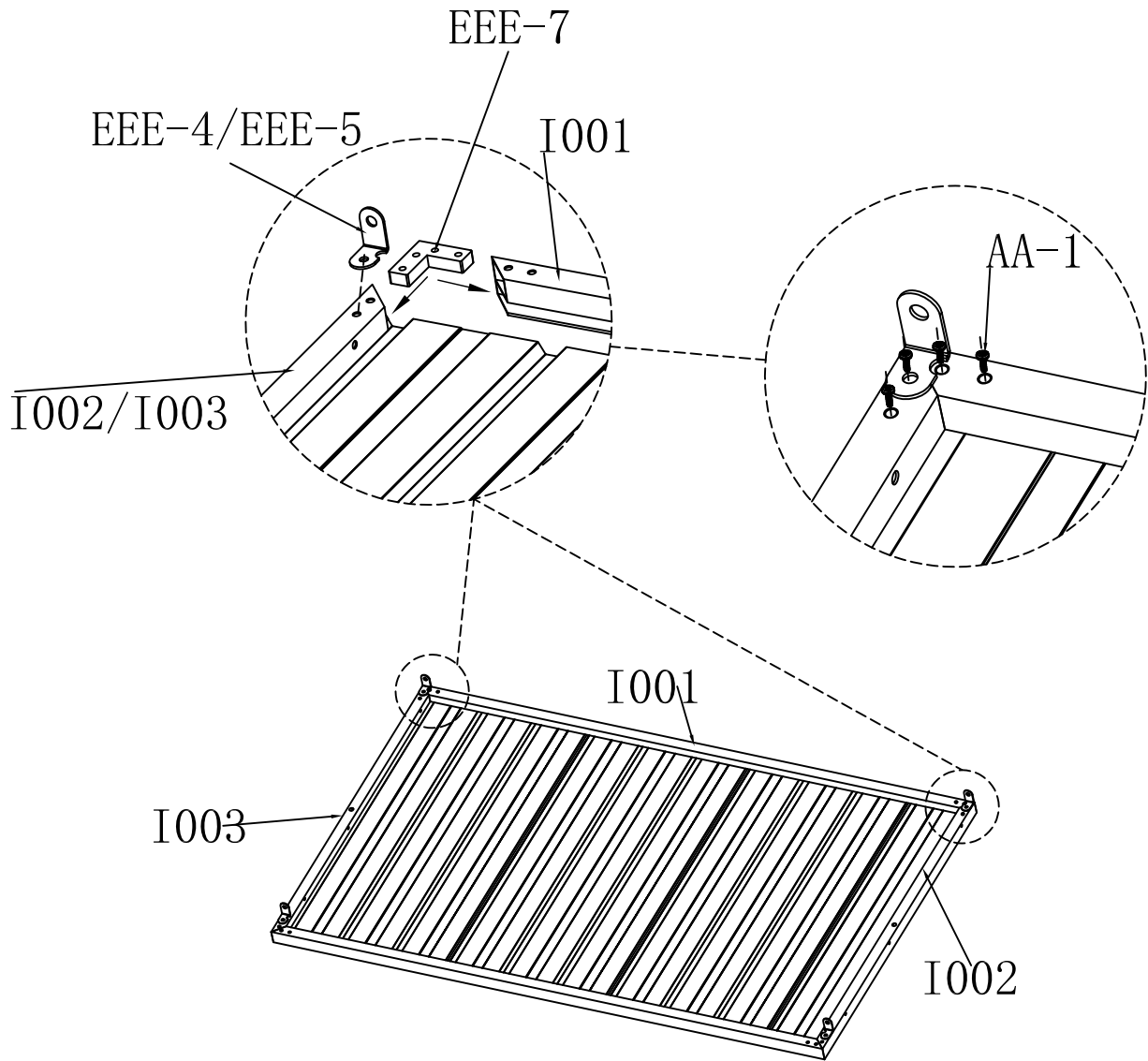


T101 3X

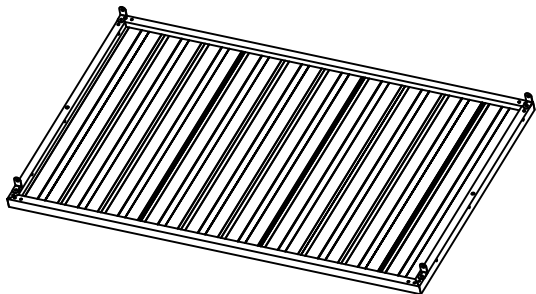
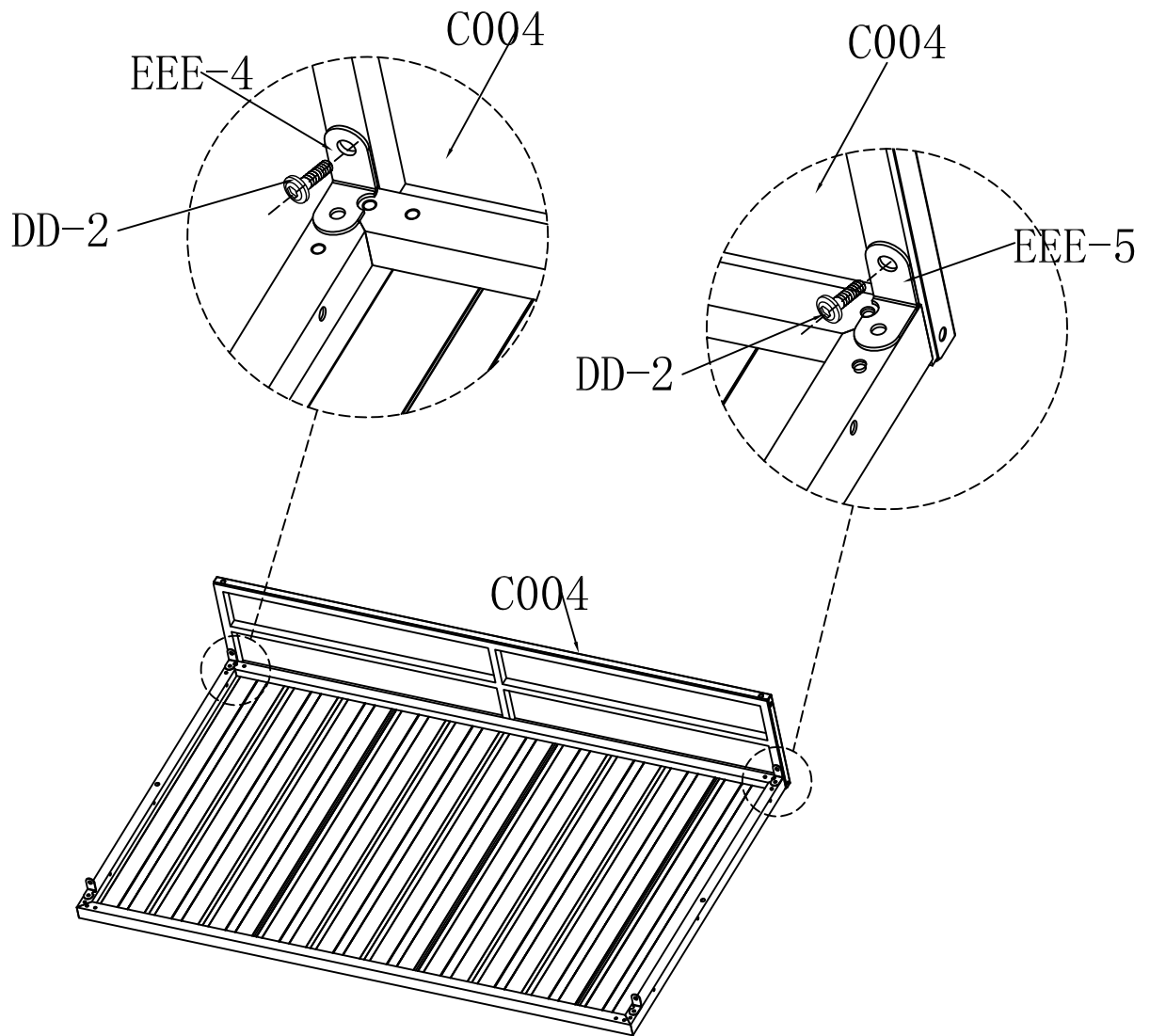


T102 1X

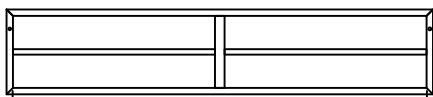
# STEP. 27



# STEP. 28



1X

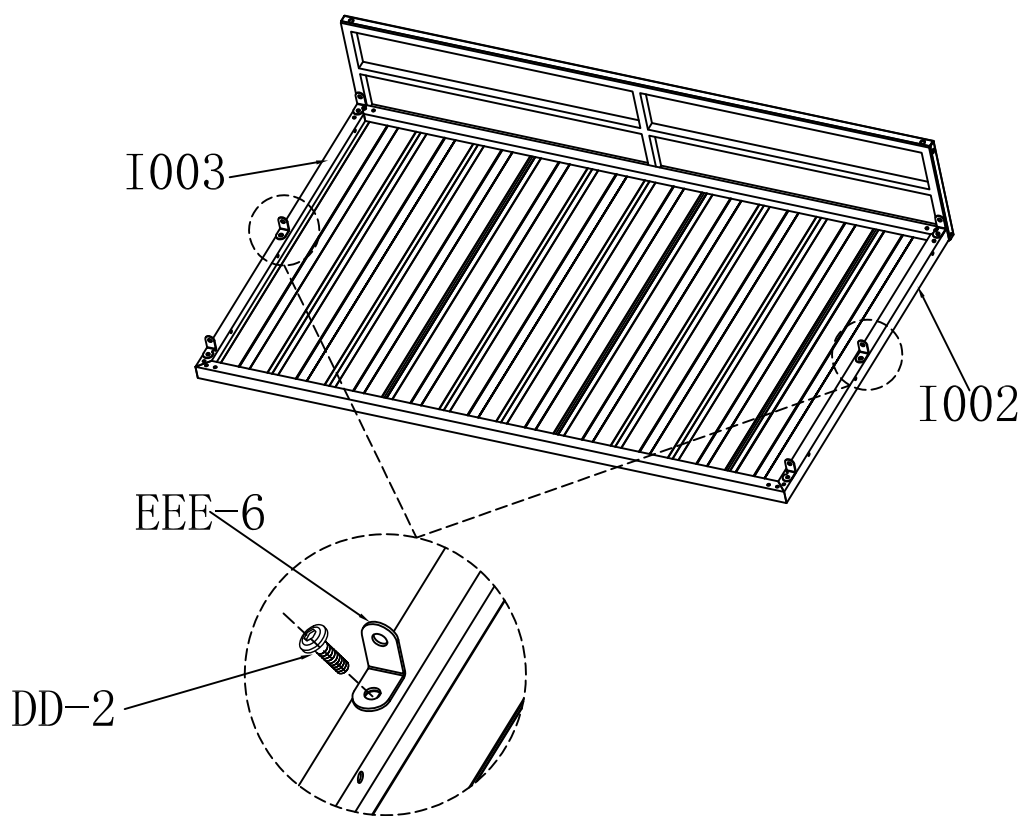


C004 1X



M6\*15 DD-2 2X

# STEP. 29

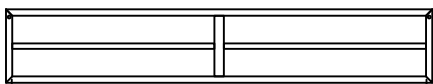
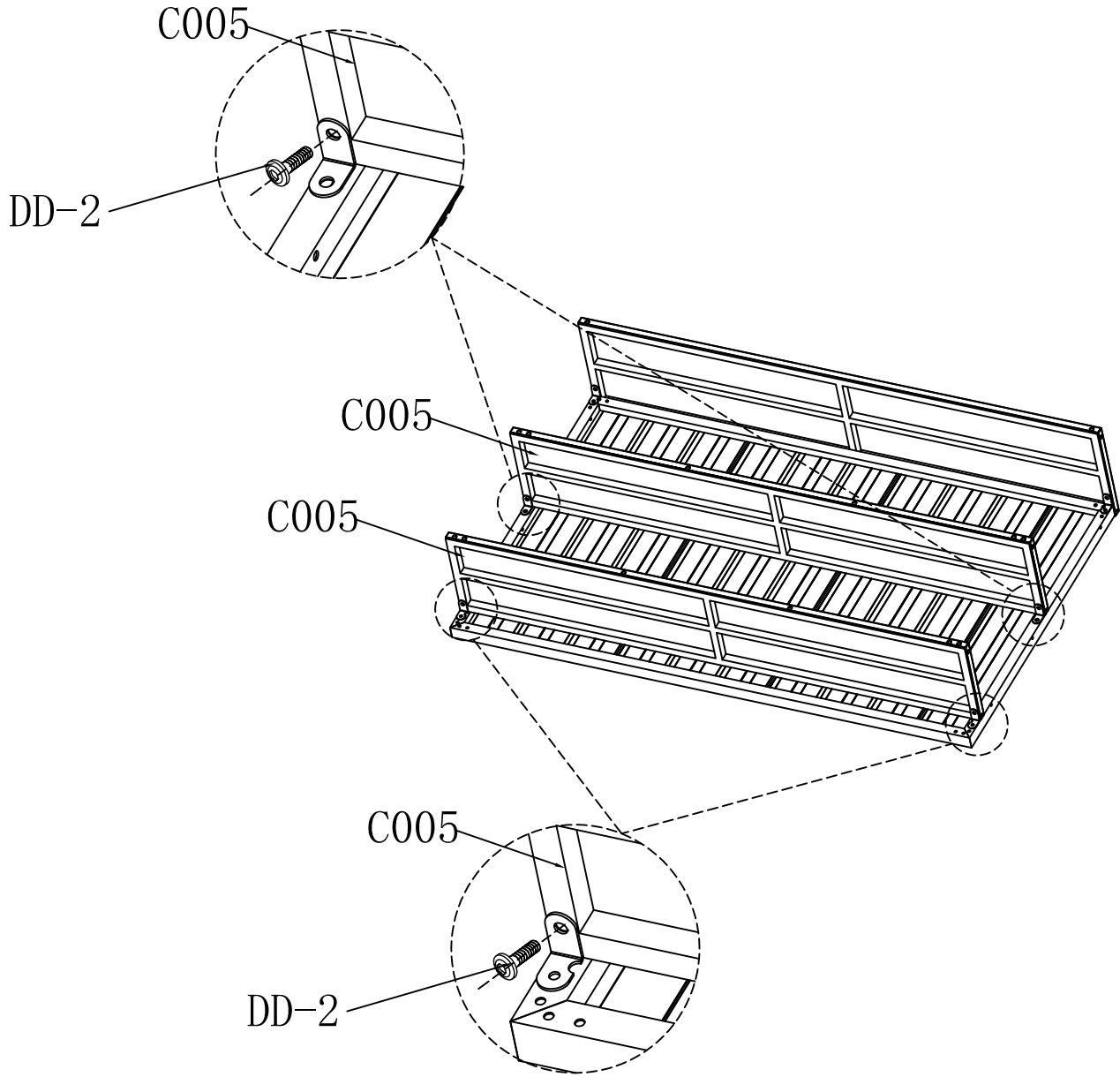


EEE-6 2X



M6\*15 DD-2 2X

# STEP. 30

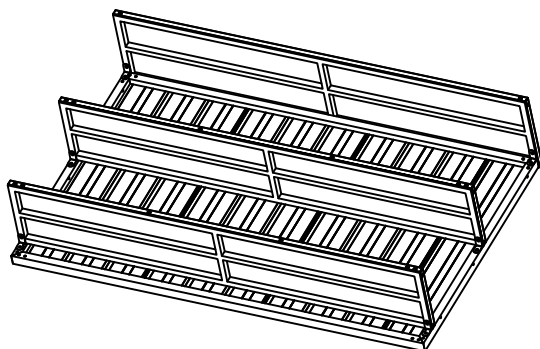
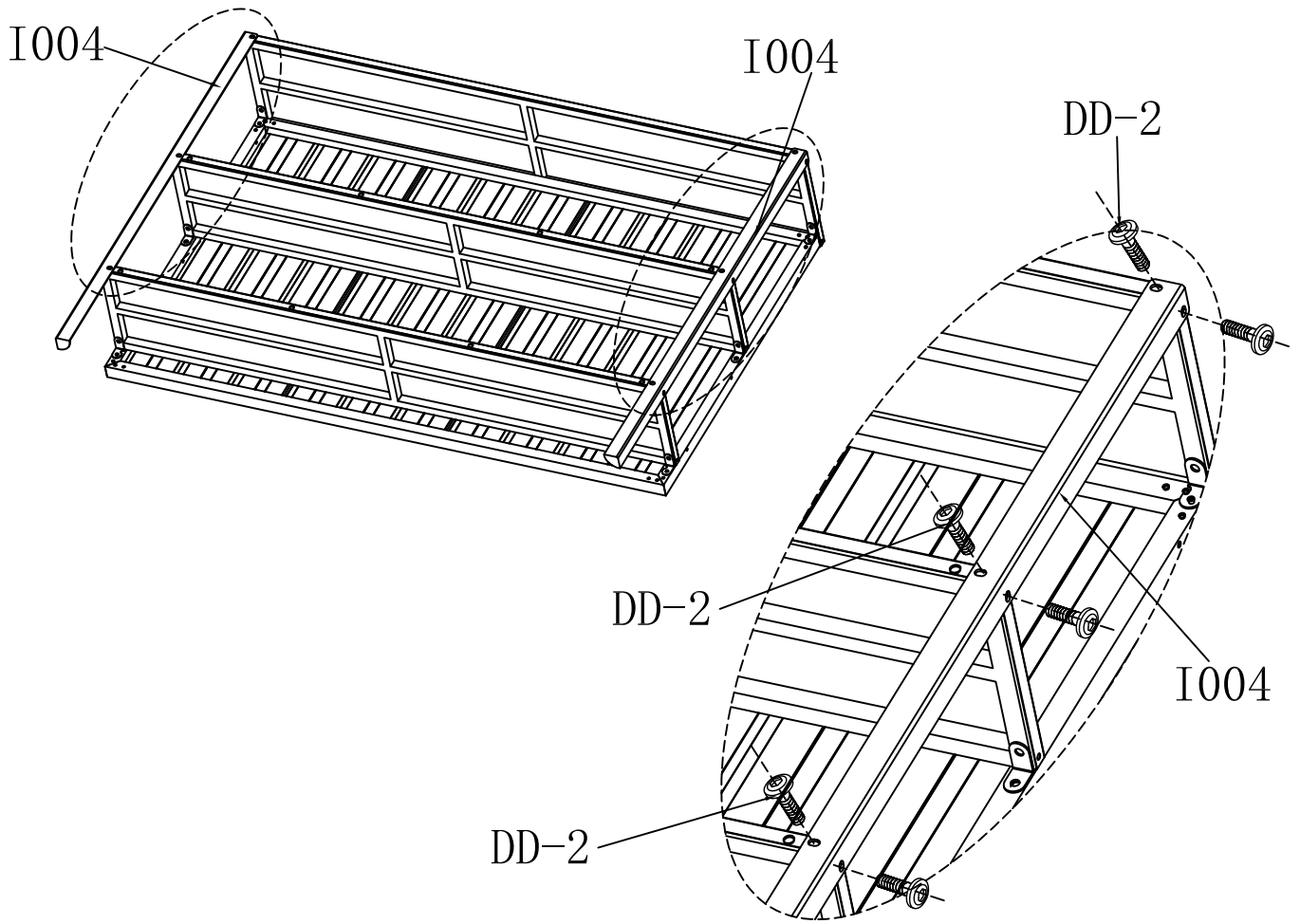


C005 2X

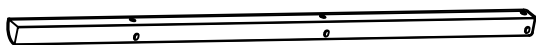


M6\*15 DD-2 4X

# STEP. 31



1X

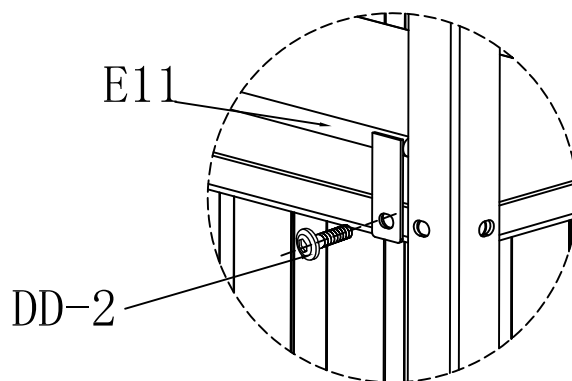
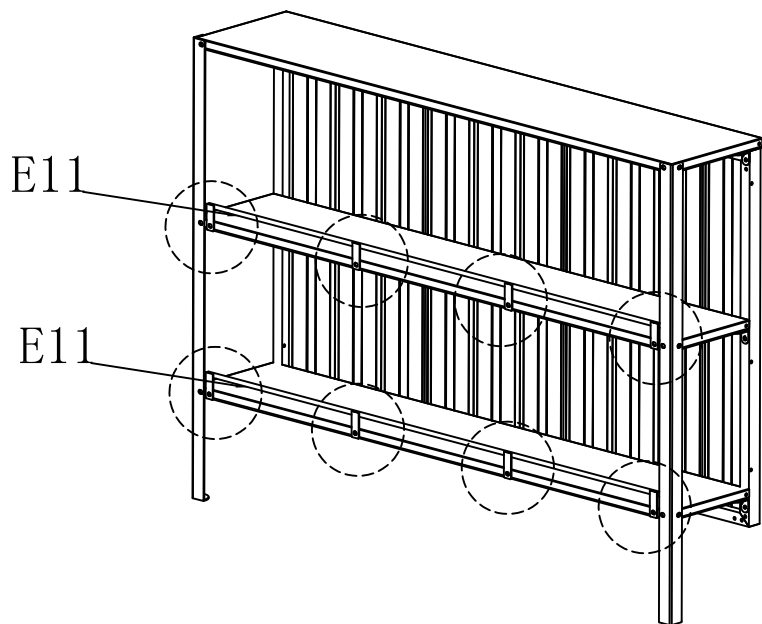


I004 2X



M6\*15 DD-2 12X

# STEP. 32

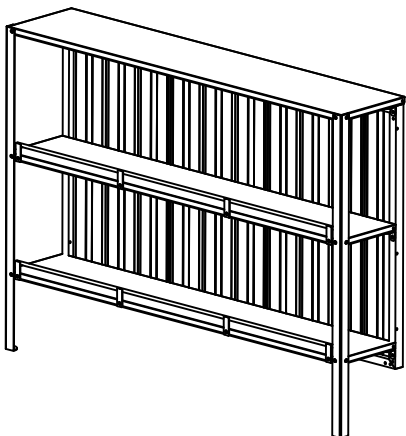
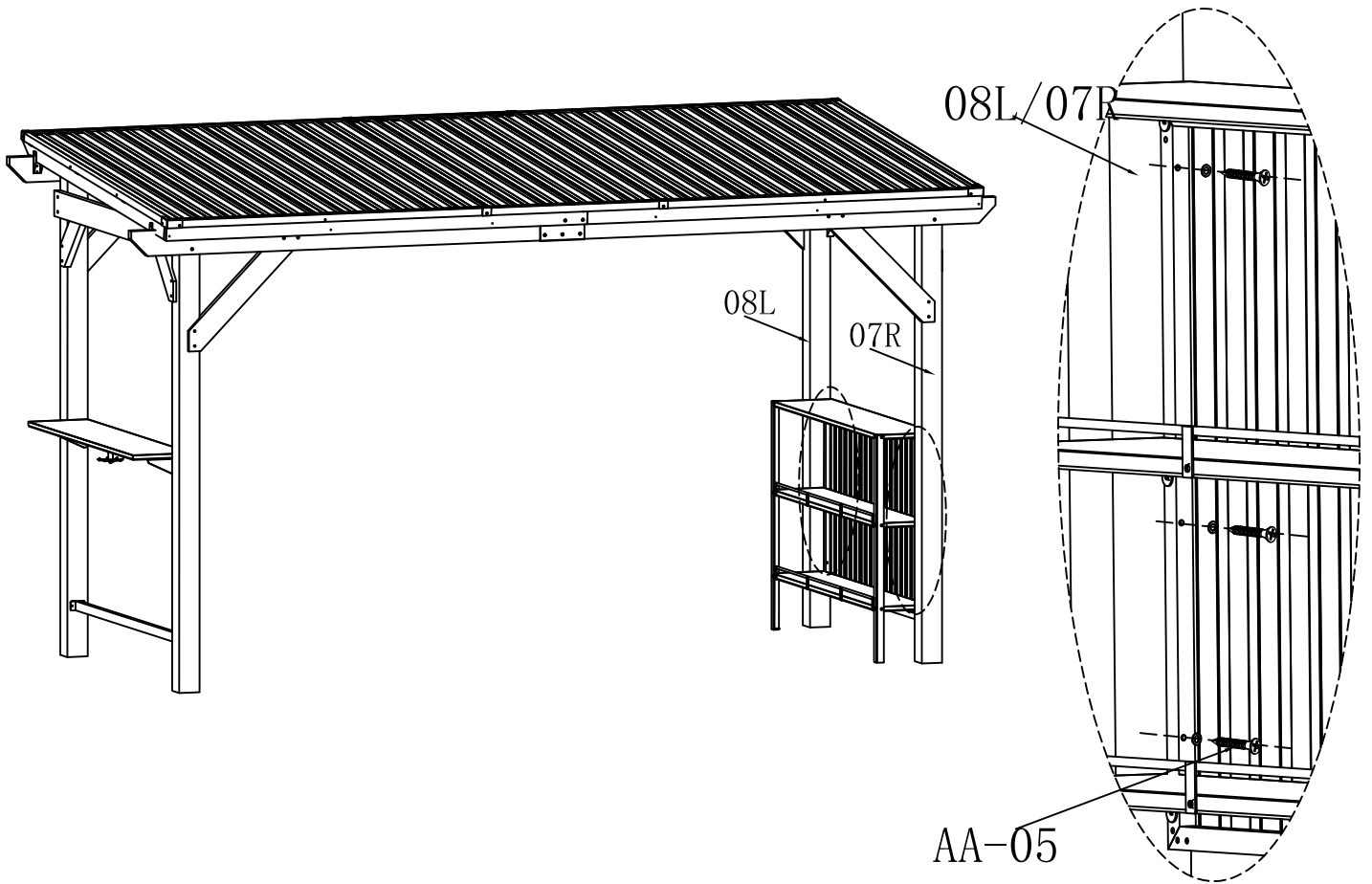


E11 2X

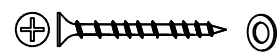


M6\*15 DD-2 8X

# STEP. 33



1X

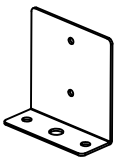
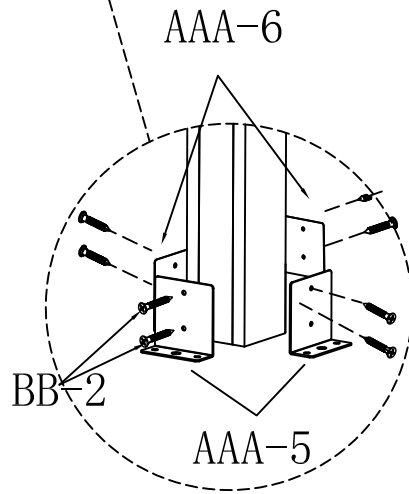
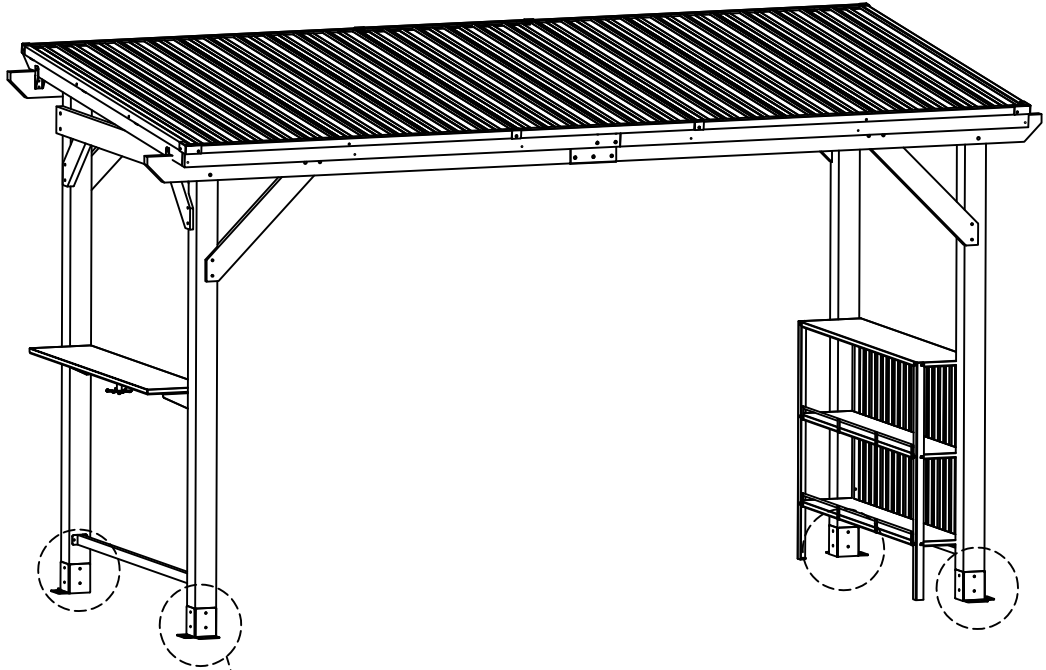


M4\*50

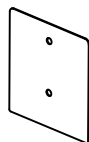
AA-05

6X

# STEP. 34



AAA-5 8X



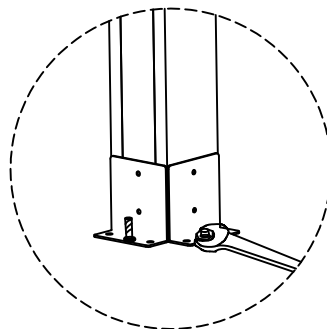
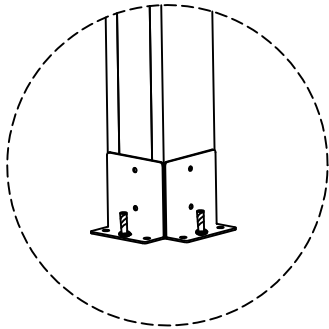
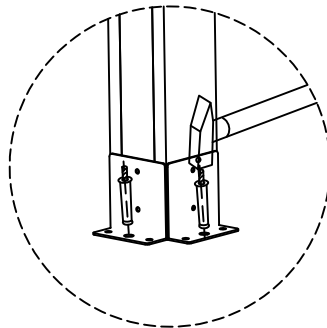
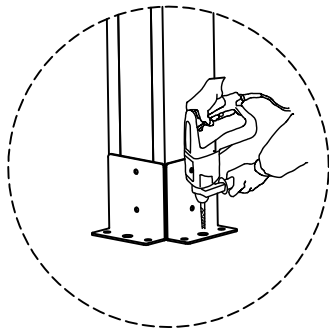
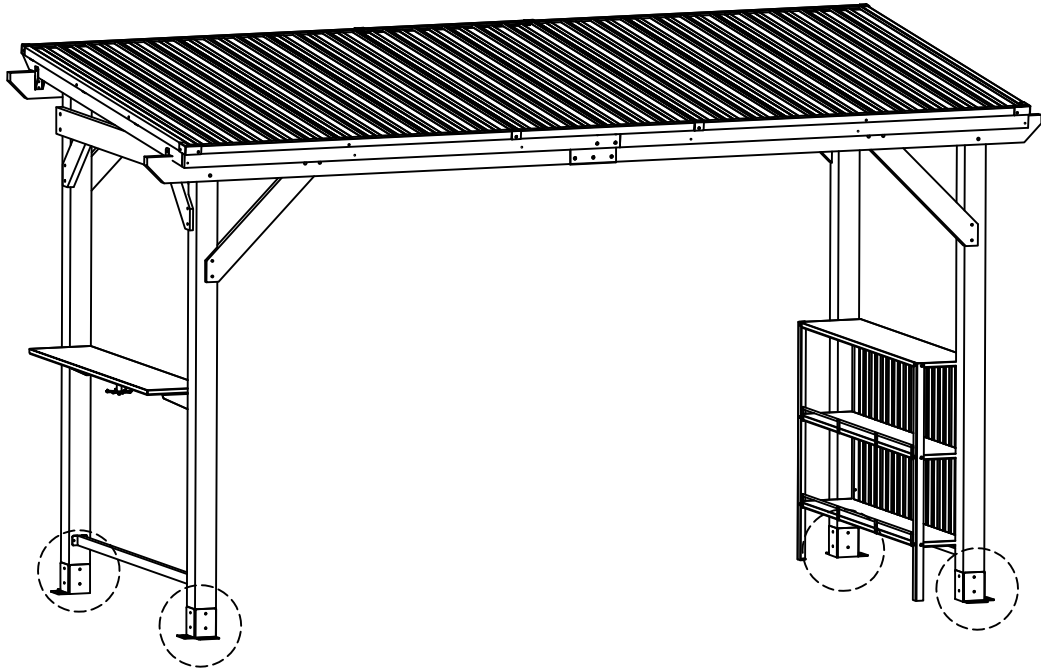
AAA-6 8X



M5\*25

BB-2 32X

# STEP. 35



M10\*80

ⓀⓀ 8X

Fix assembled gazebo on the cement ground by using **Expansion screws QQ.**