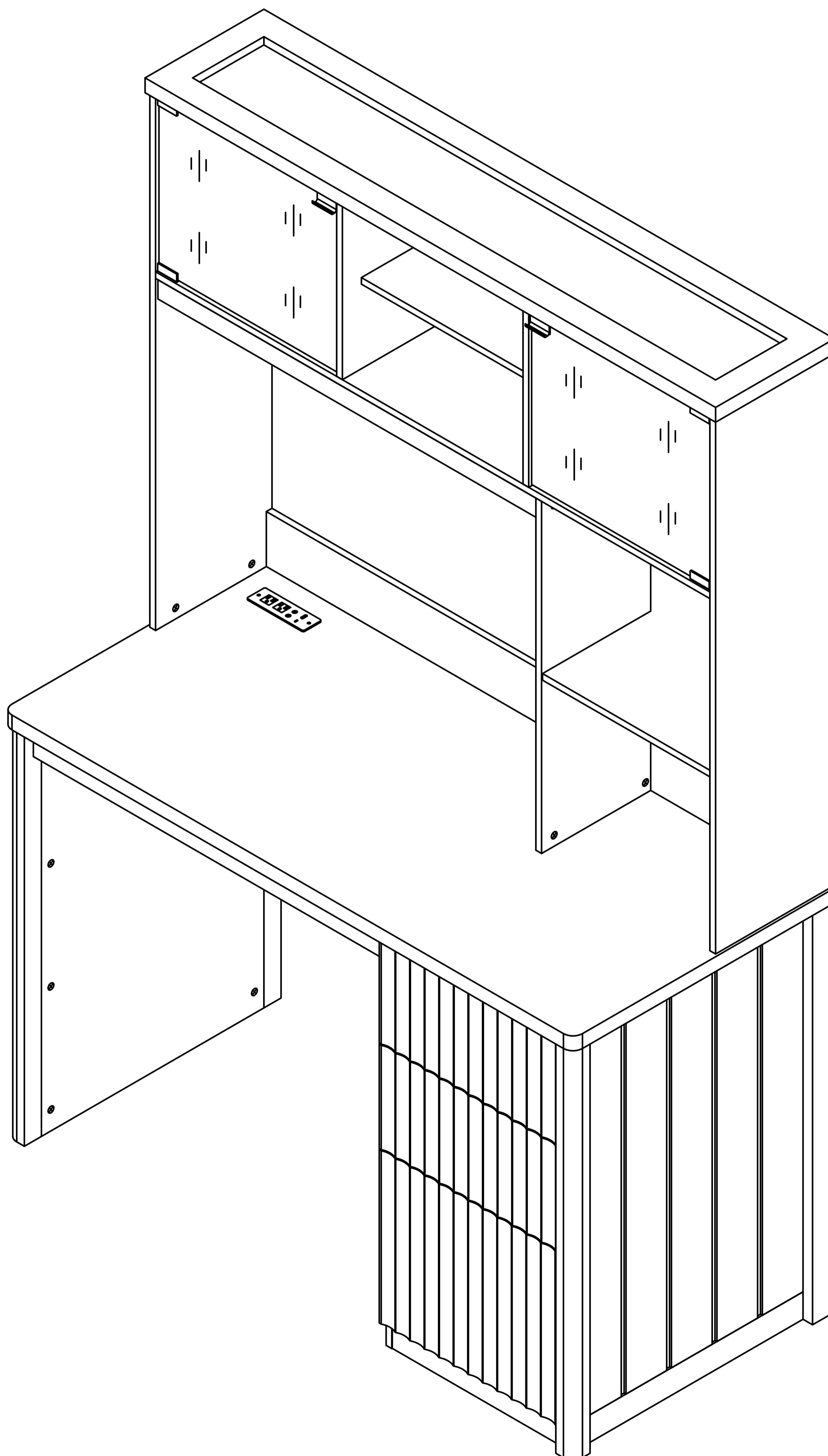
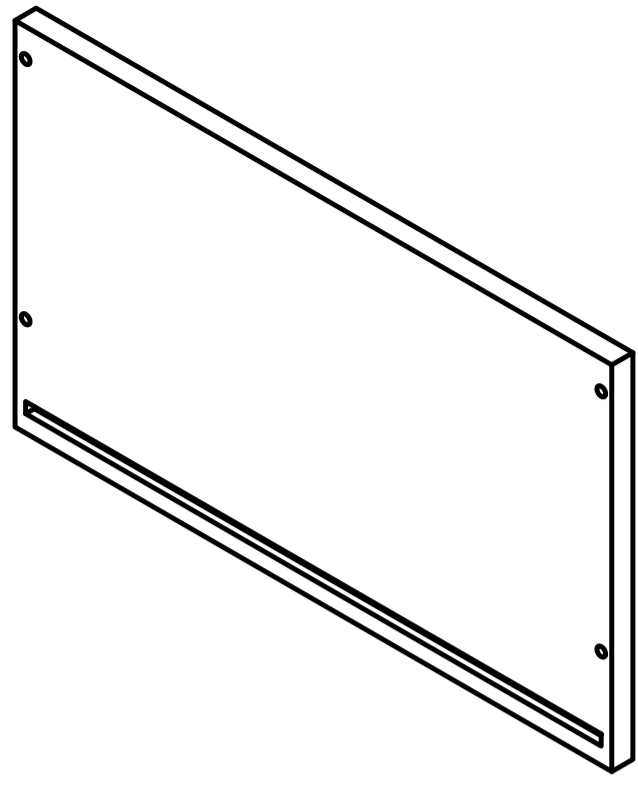
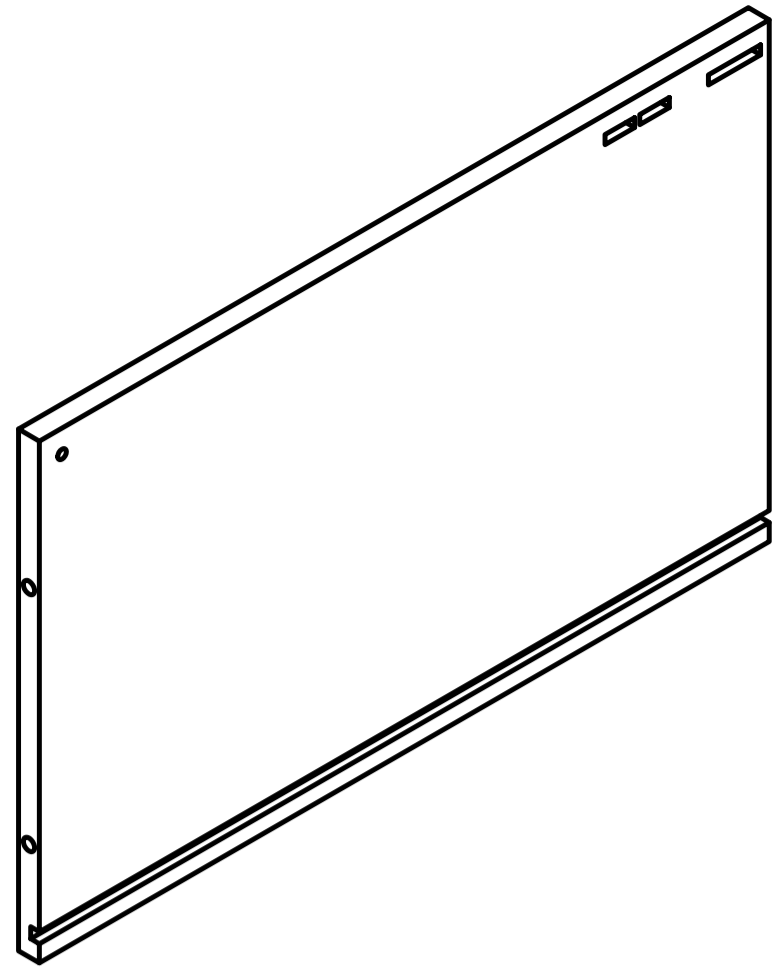


# Product Installation Instructions

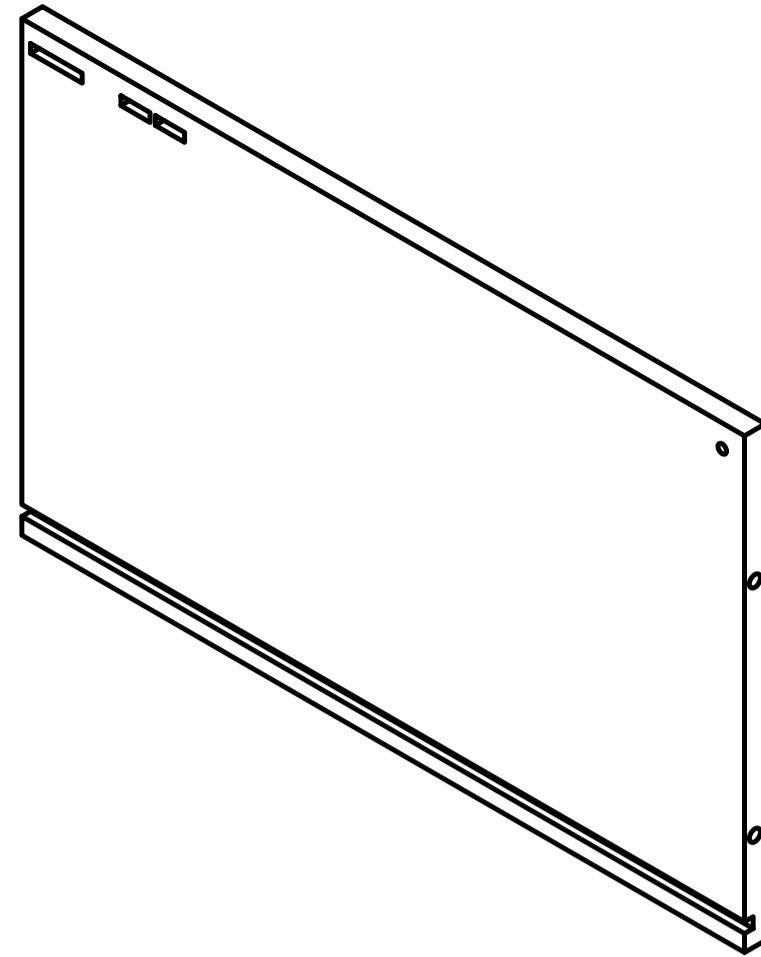




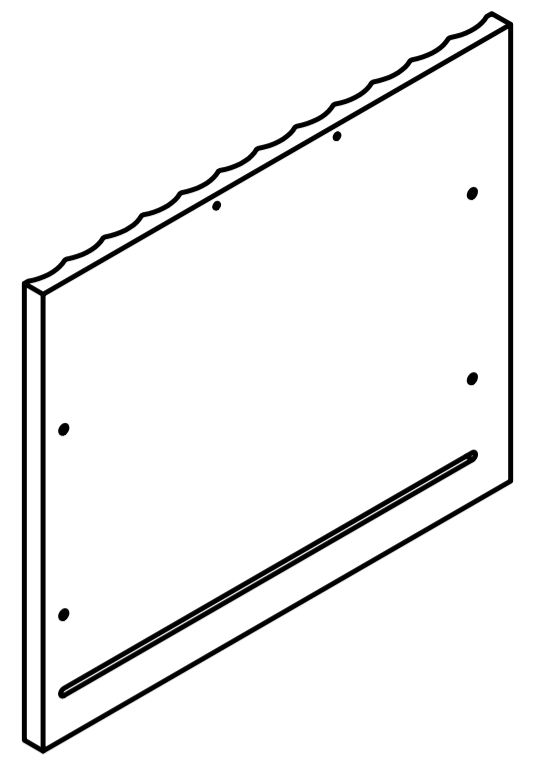
1x1



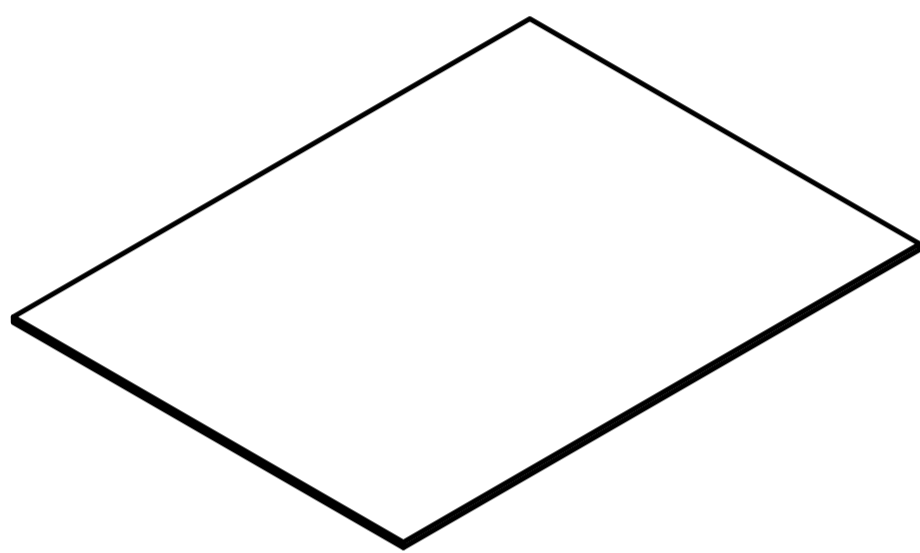
2ax1



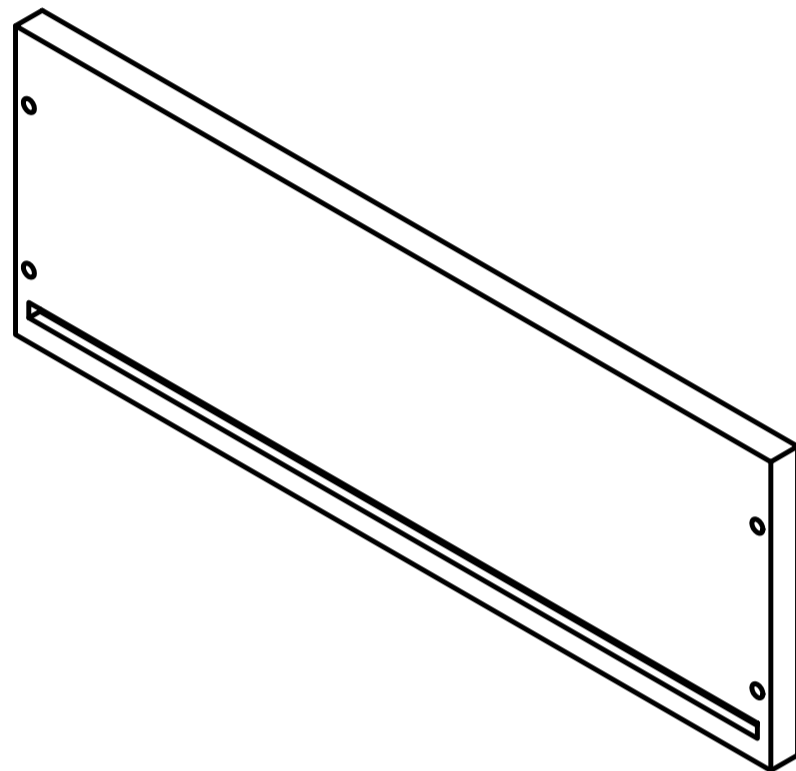
2bx1



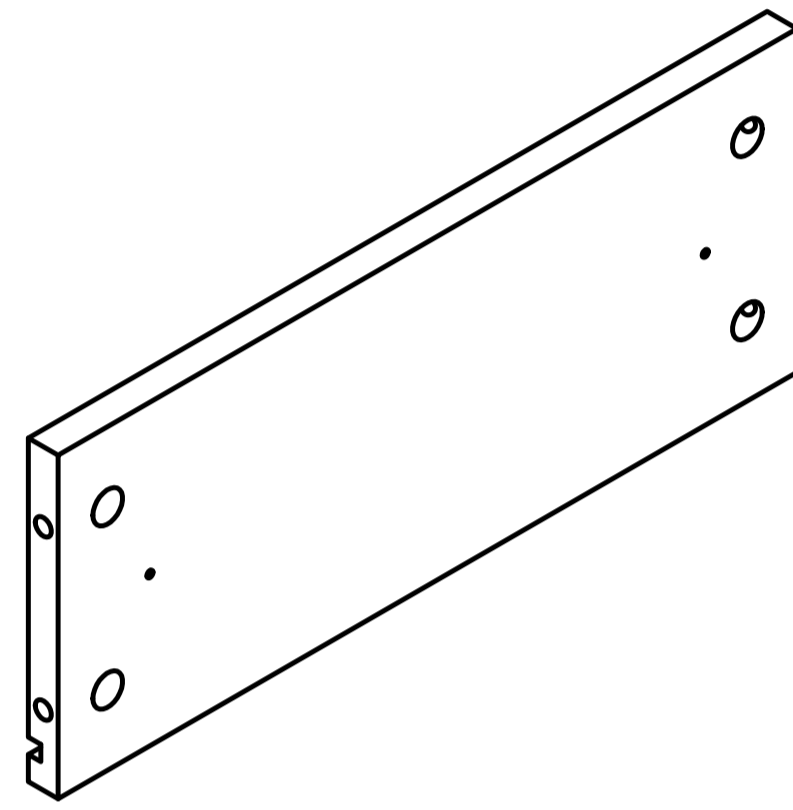
3x1



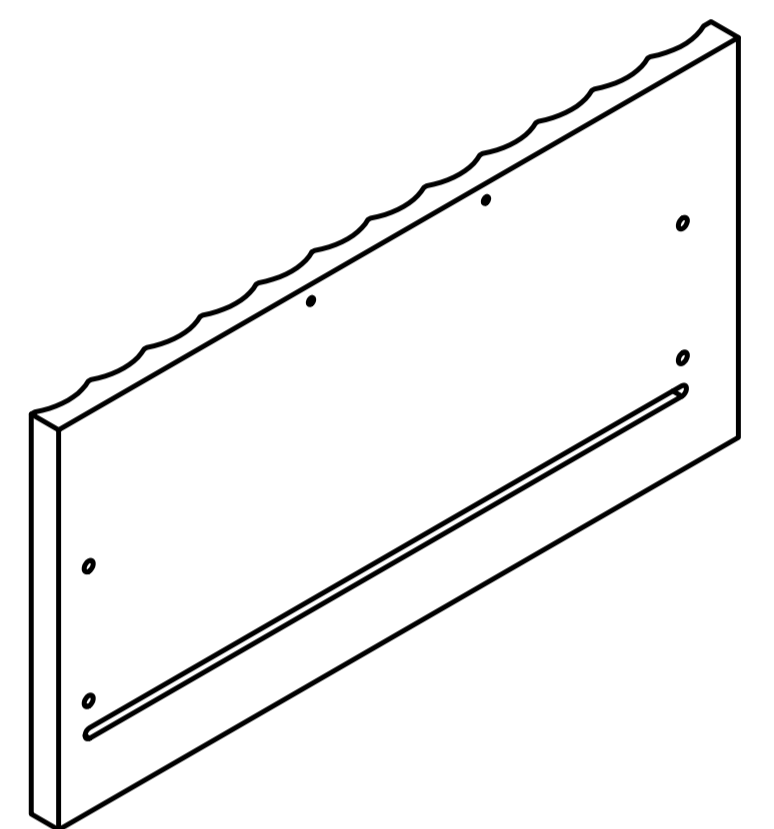
4x1



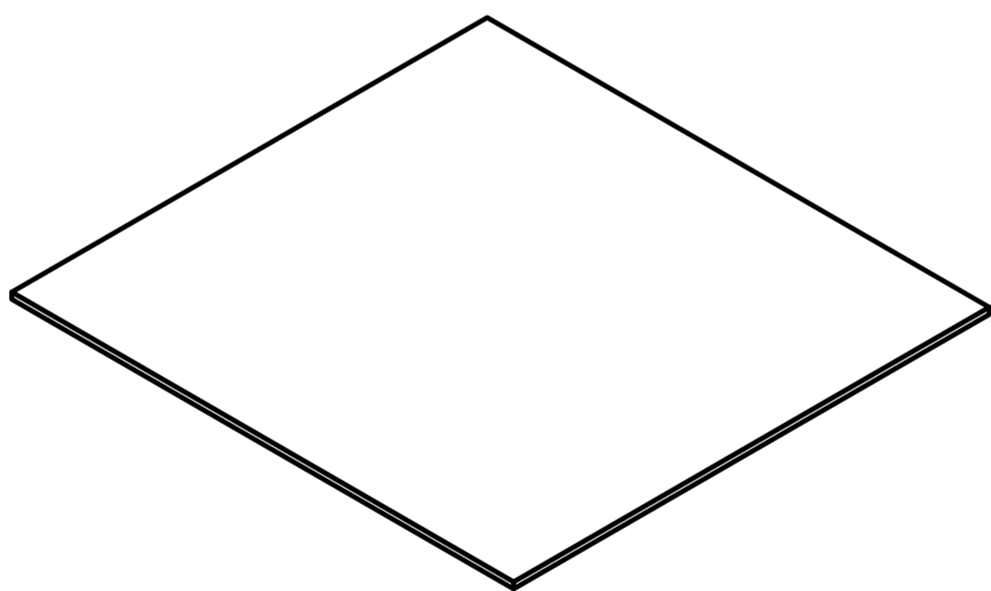
5x2



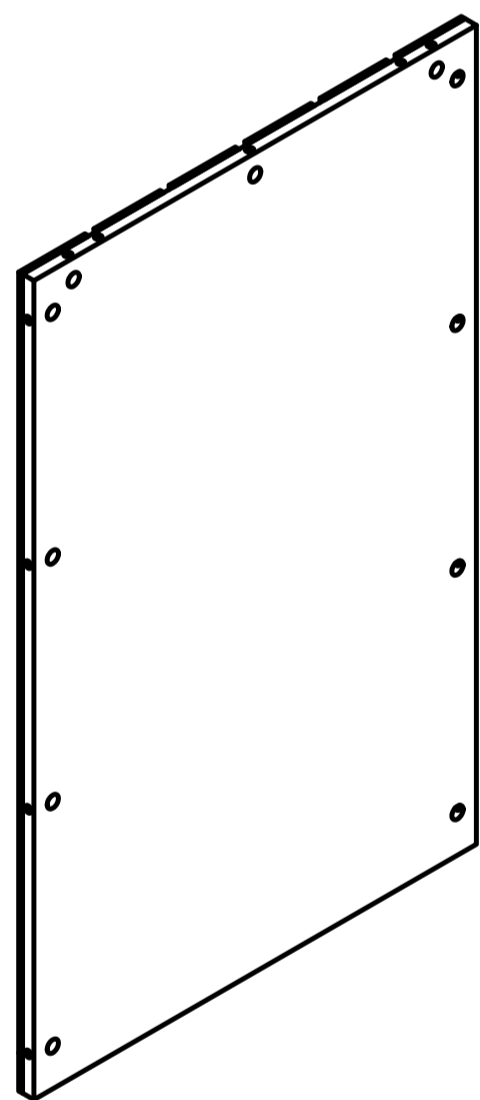
6x4



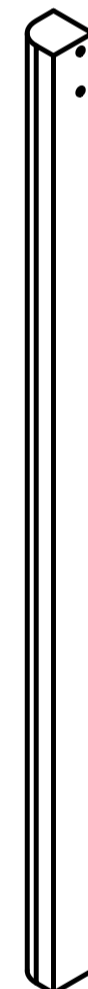
7x2



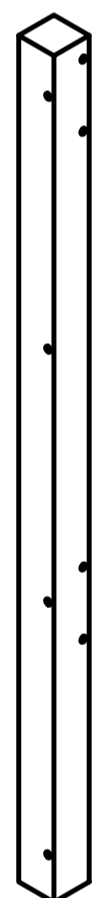
8x2



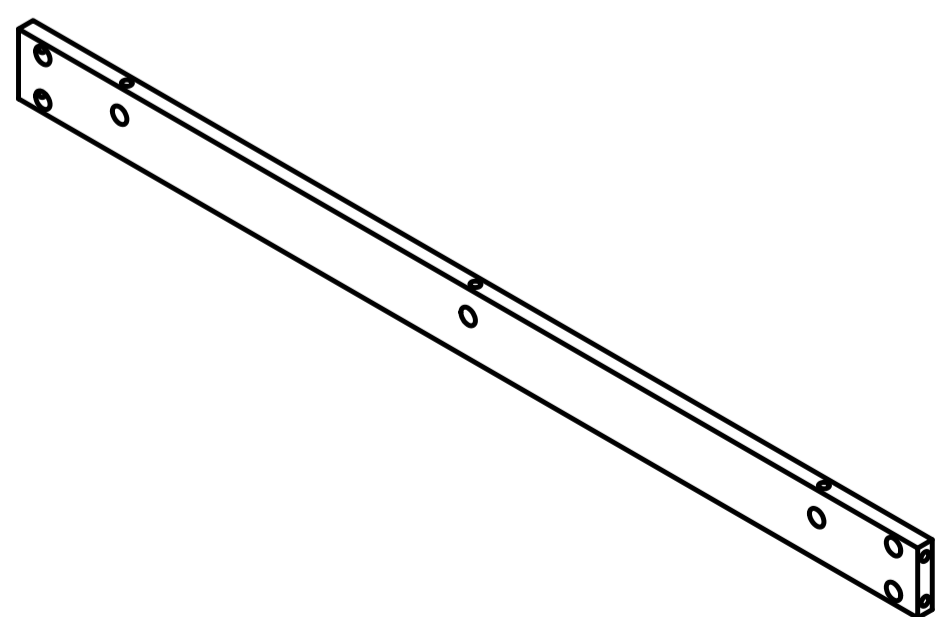
9x1



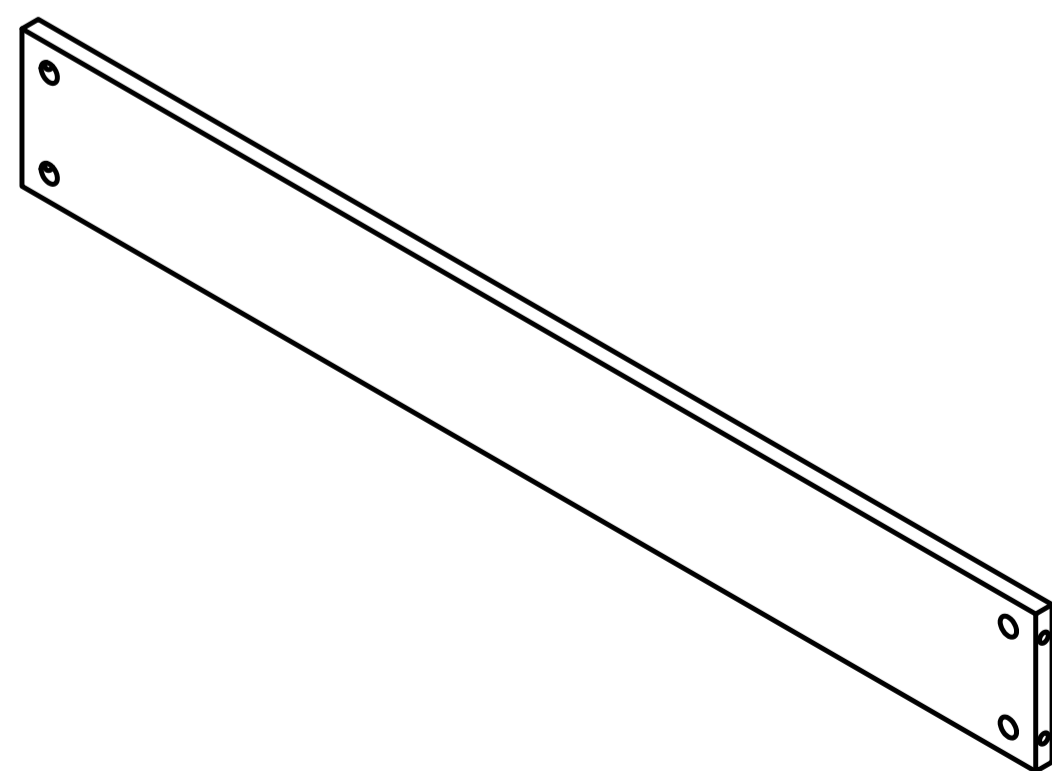
10x1



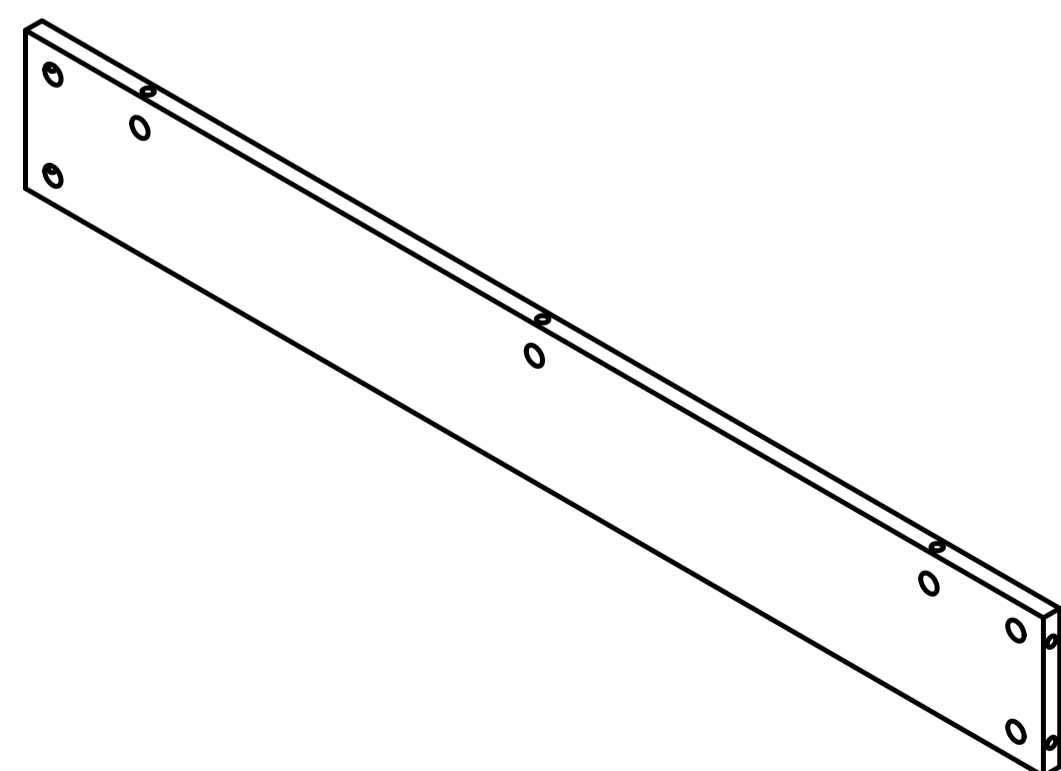
11x1



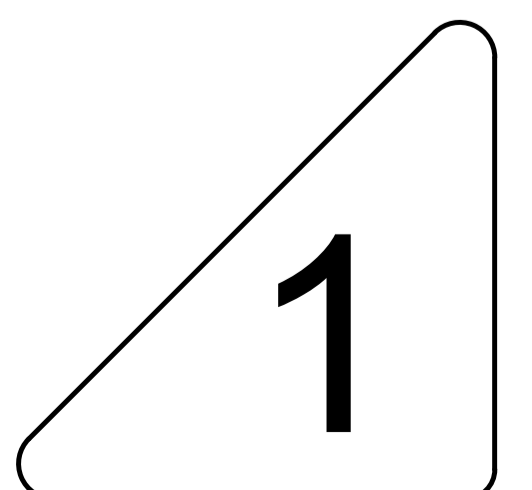
12x1



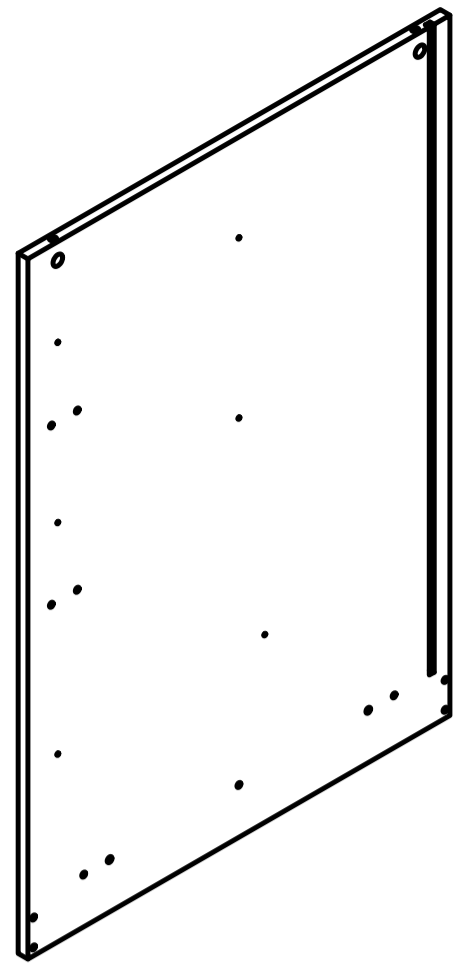
13x1



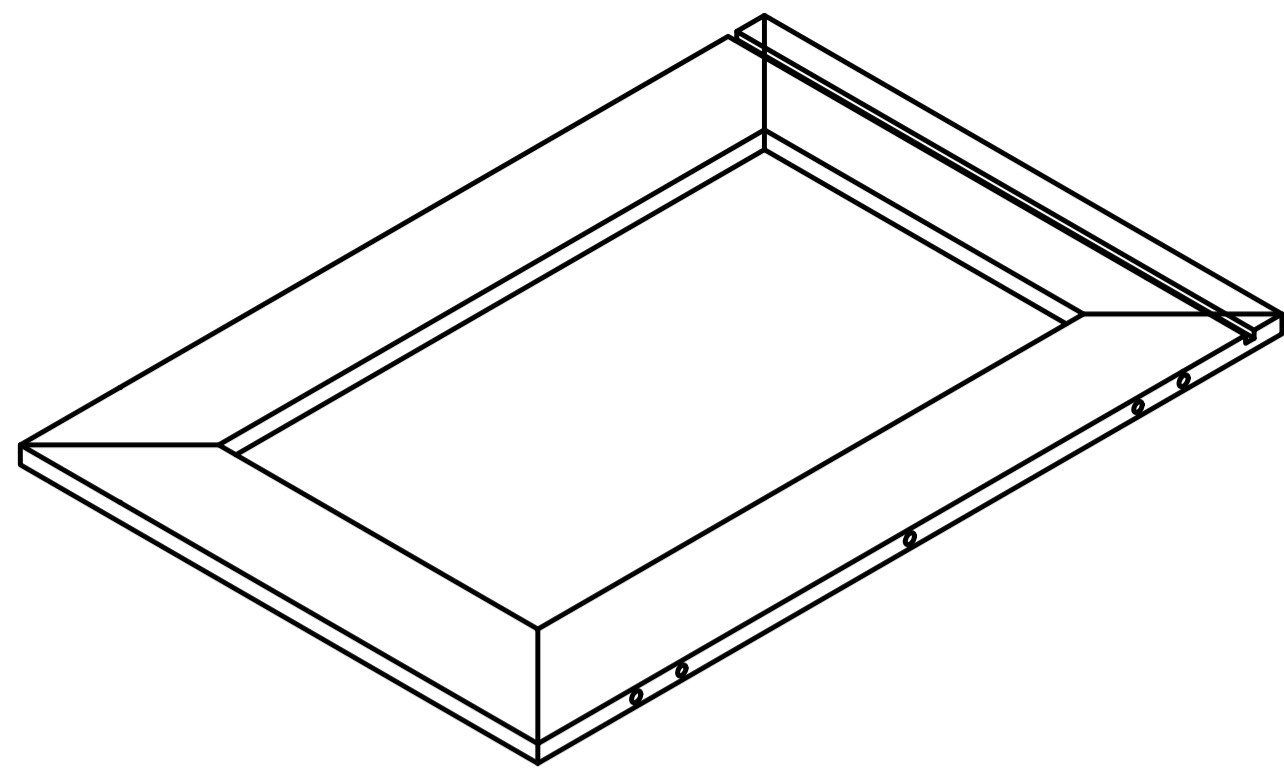
14x1



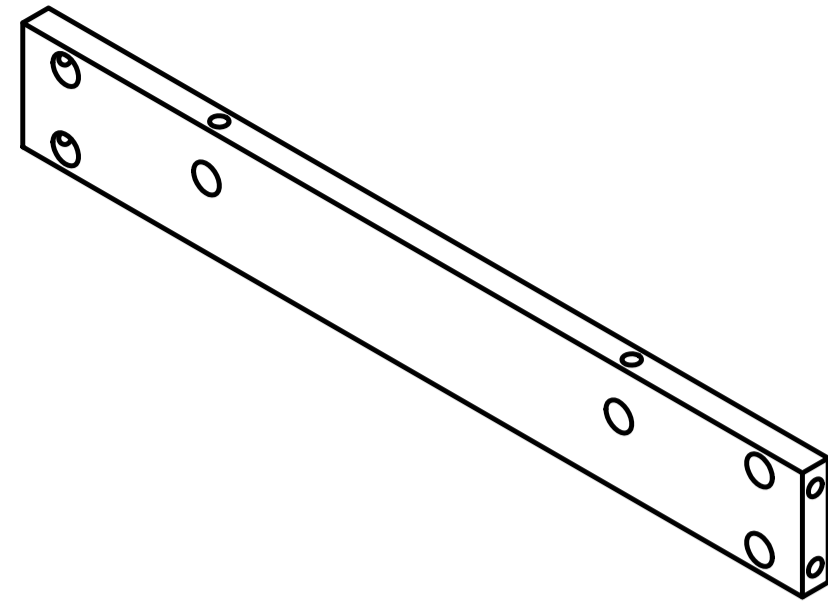
1



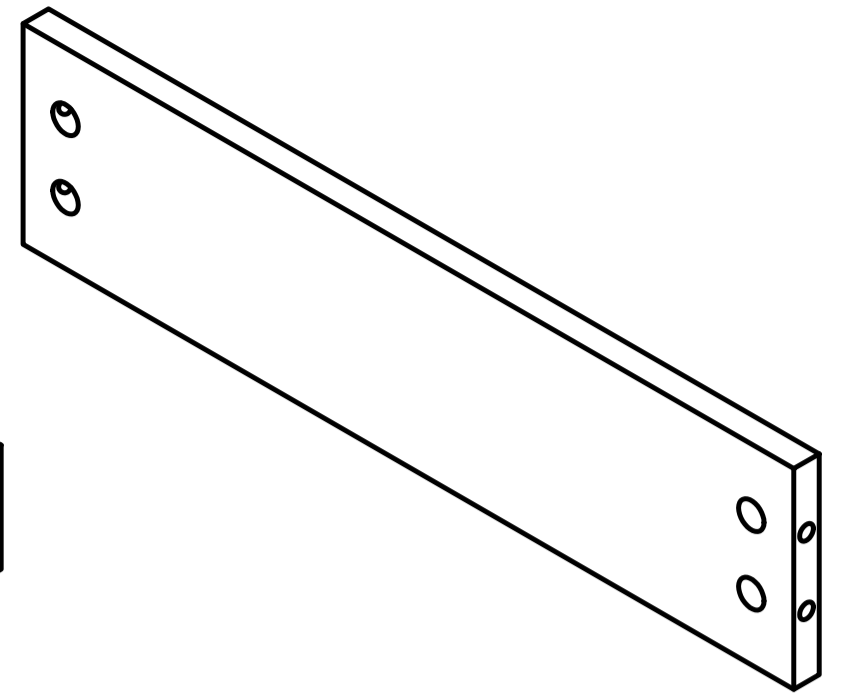
15x1



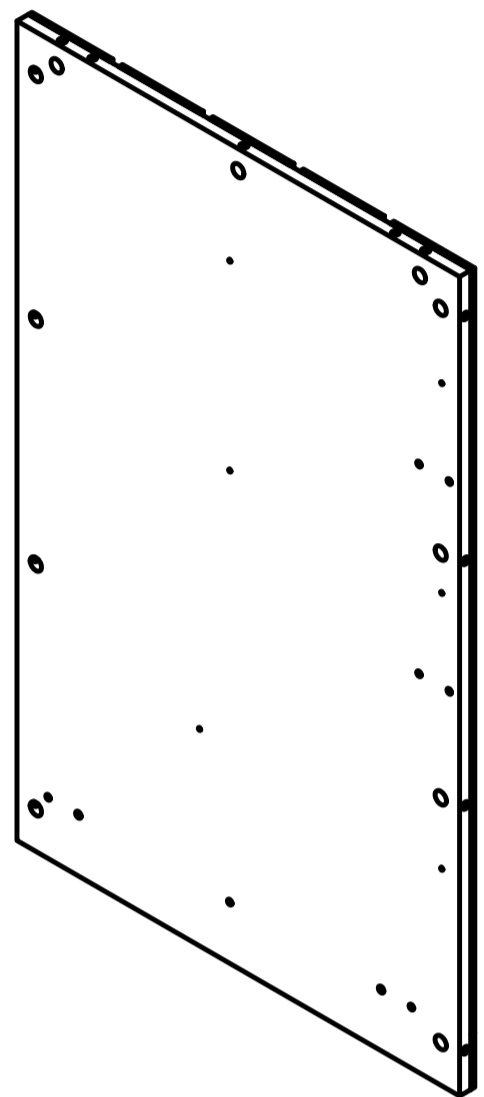
16x1



17x2



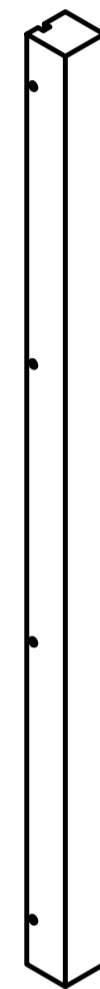
18x2



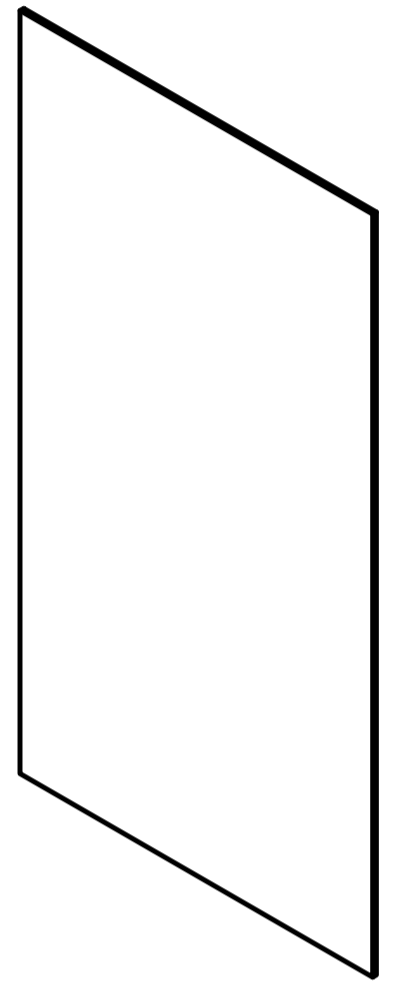
19x1



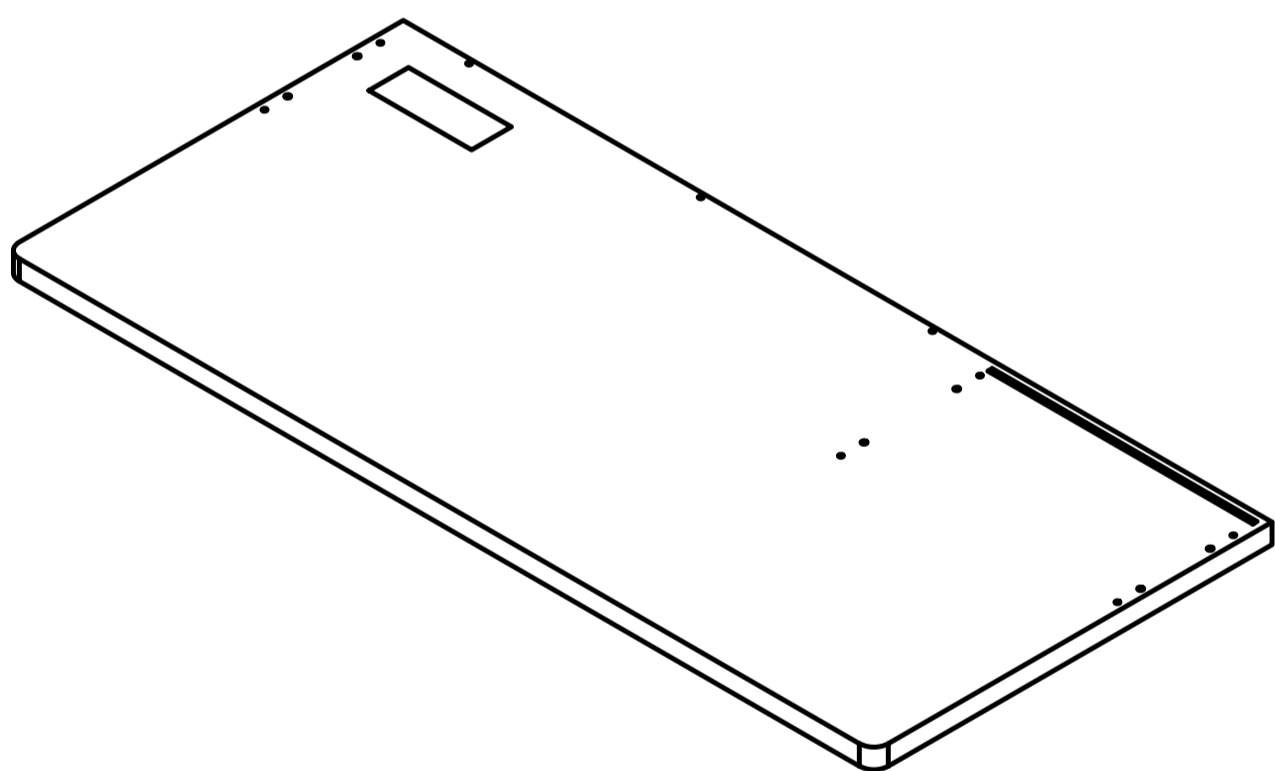
20x1



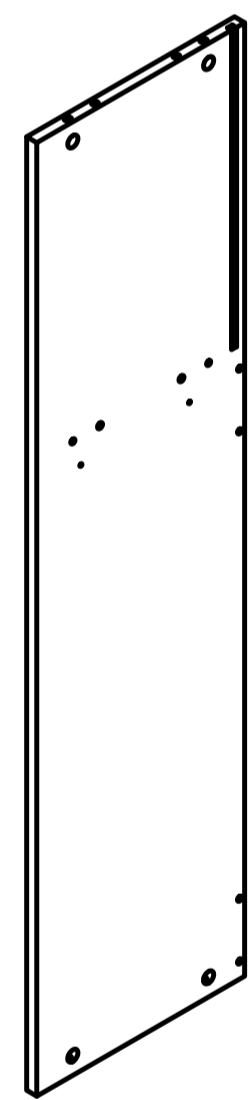
21x1



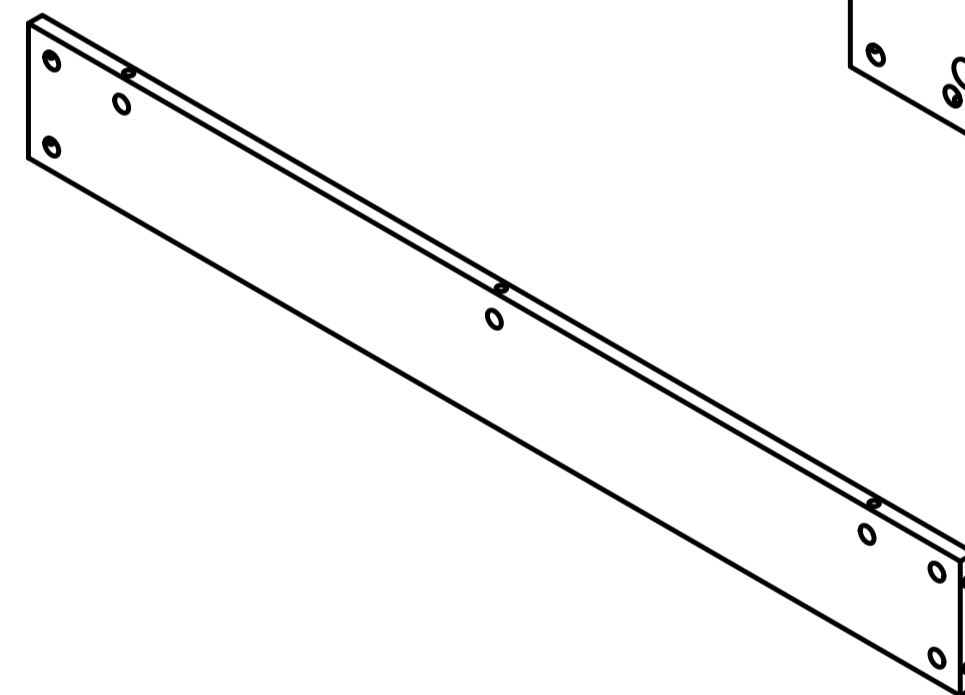
22x1



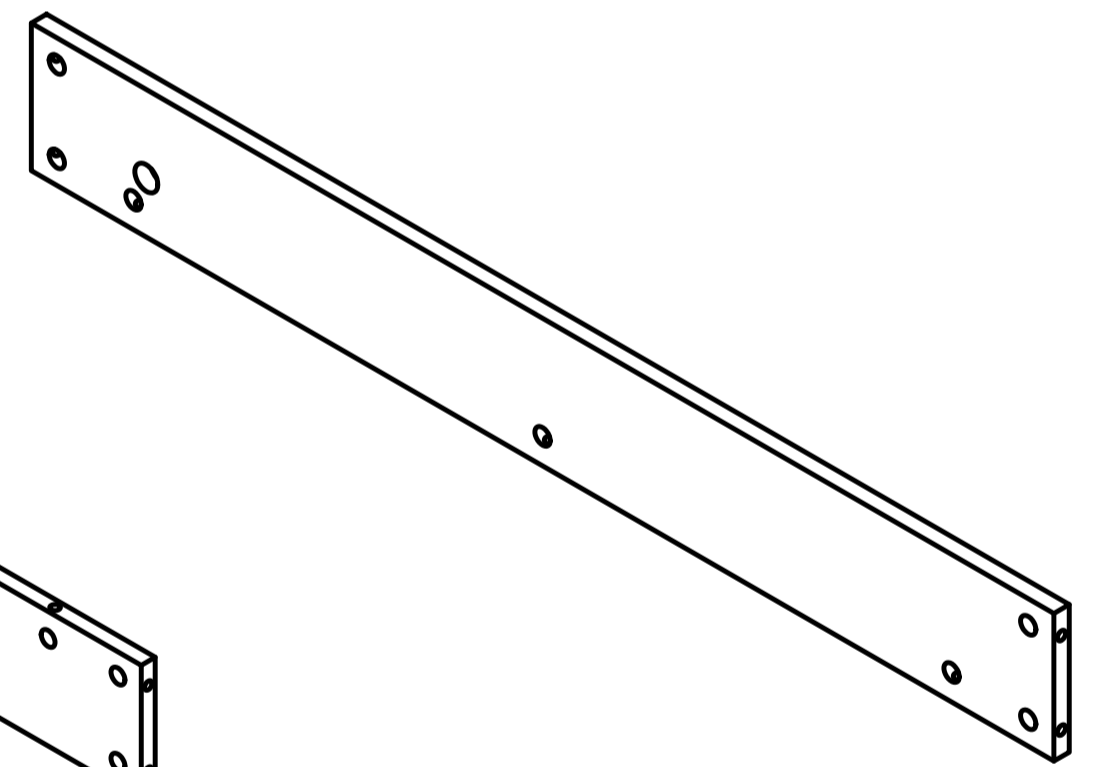
23x1



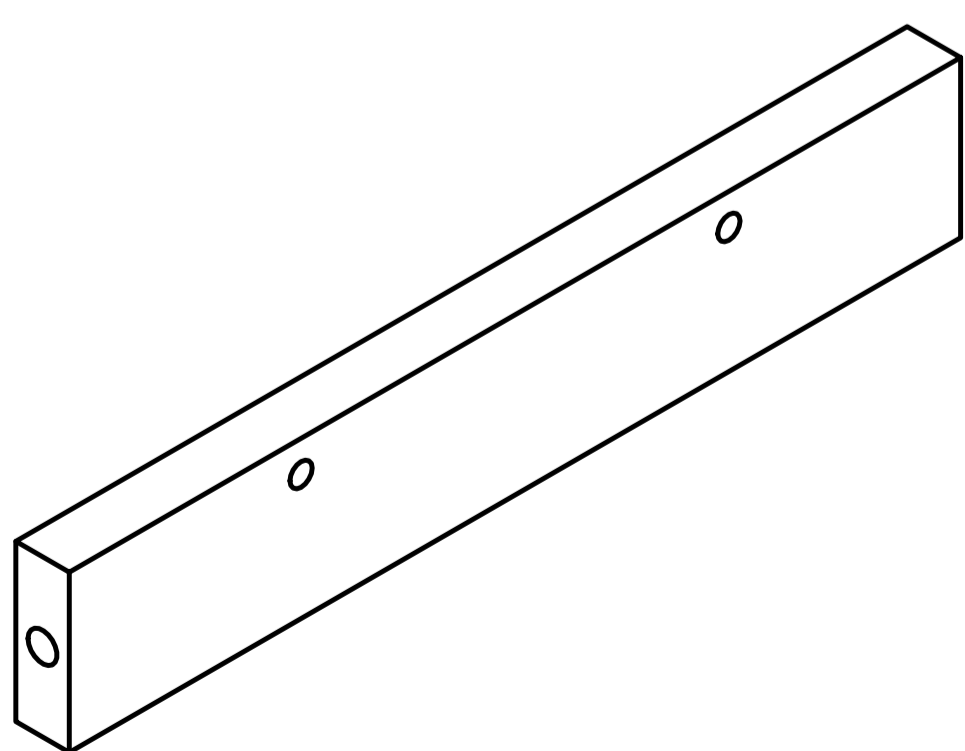
24x1



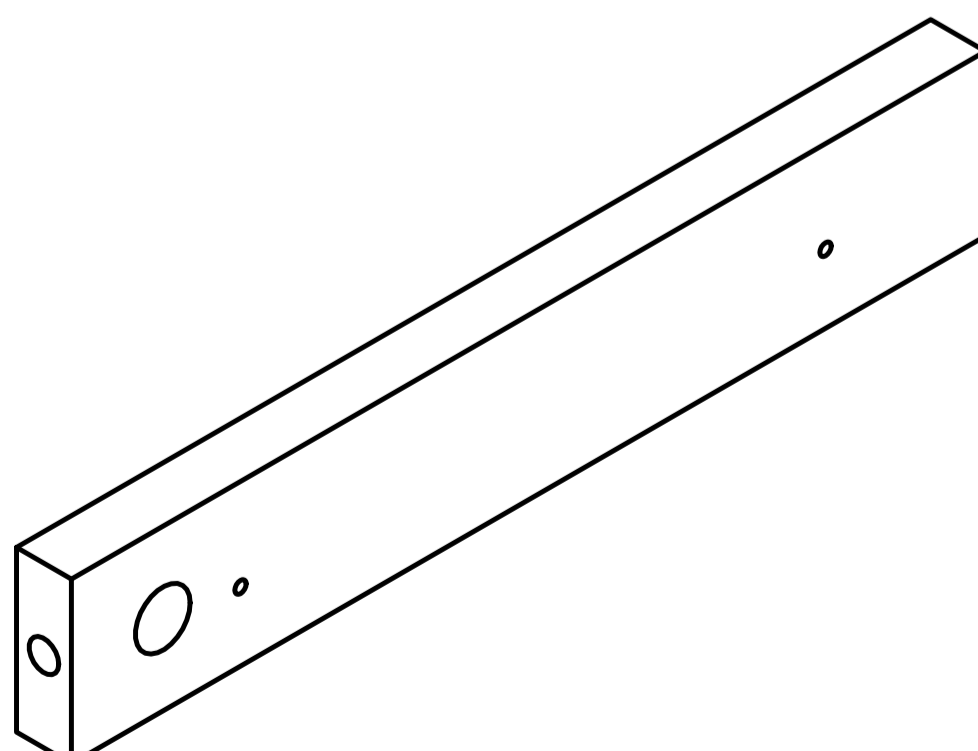
25x1



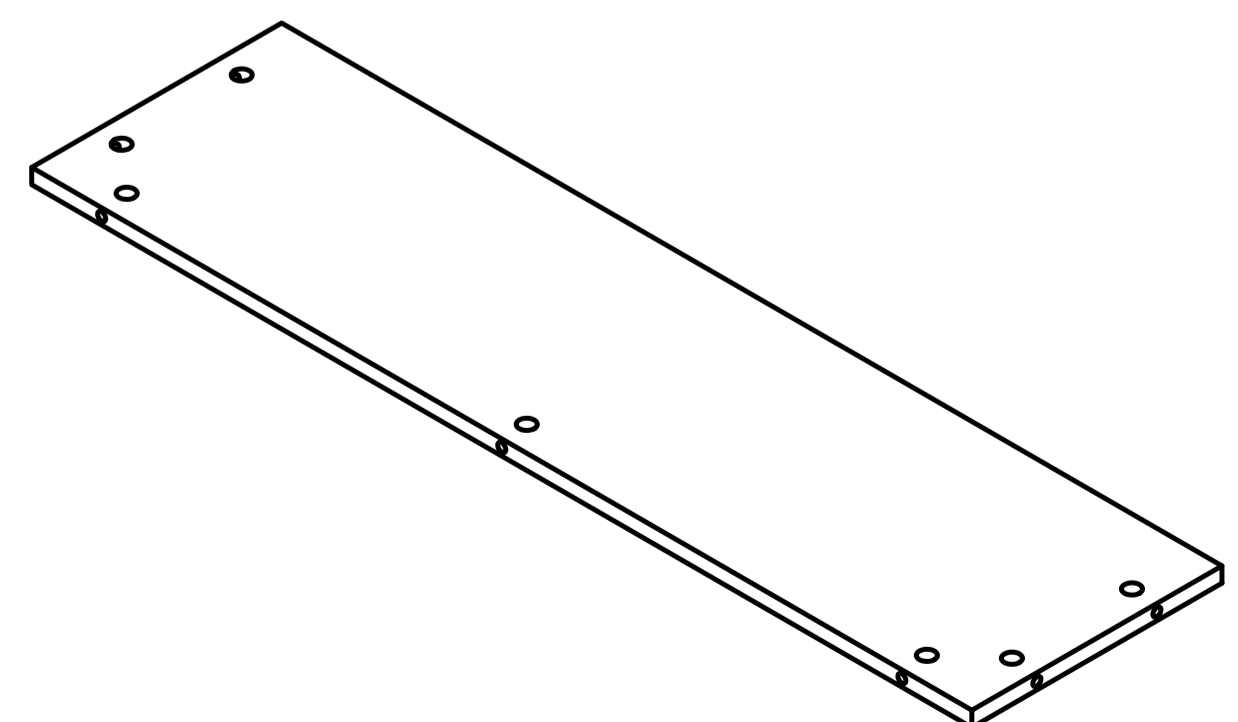
26x1



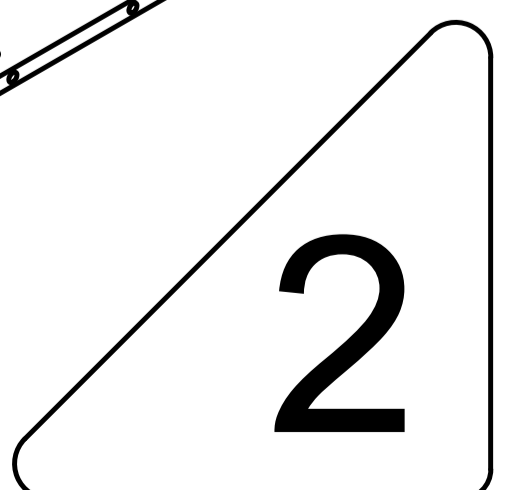
27x1



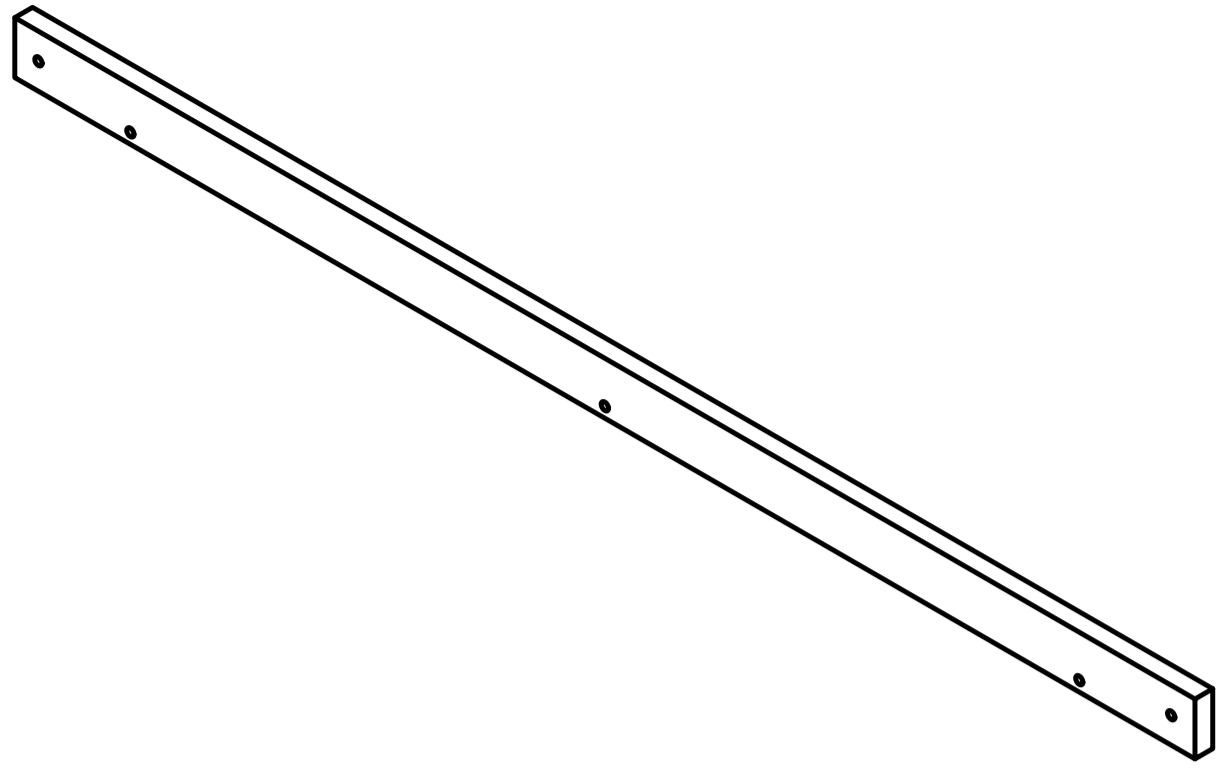
28x1



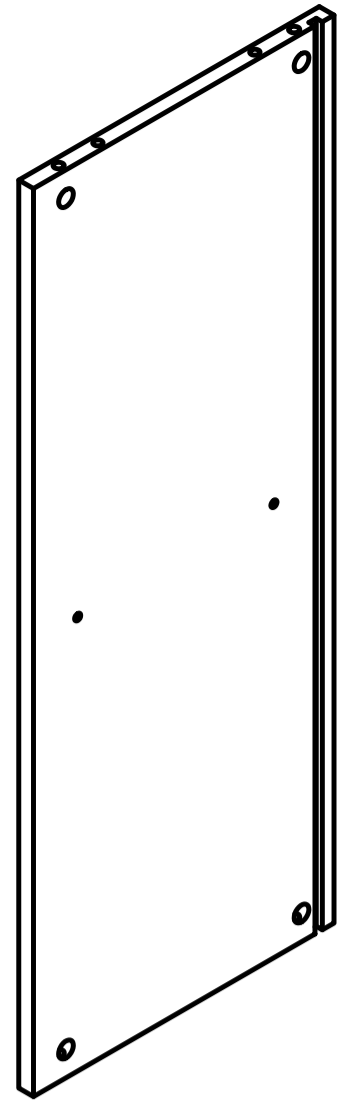
29x1



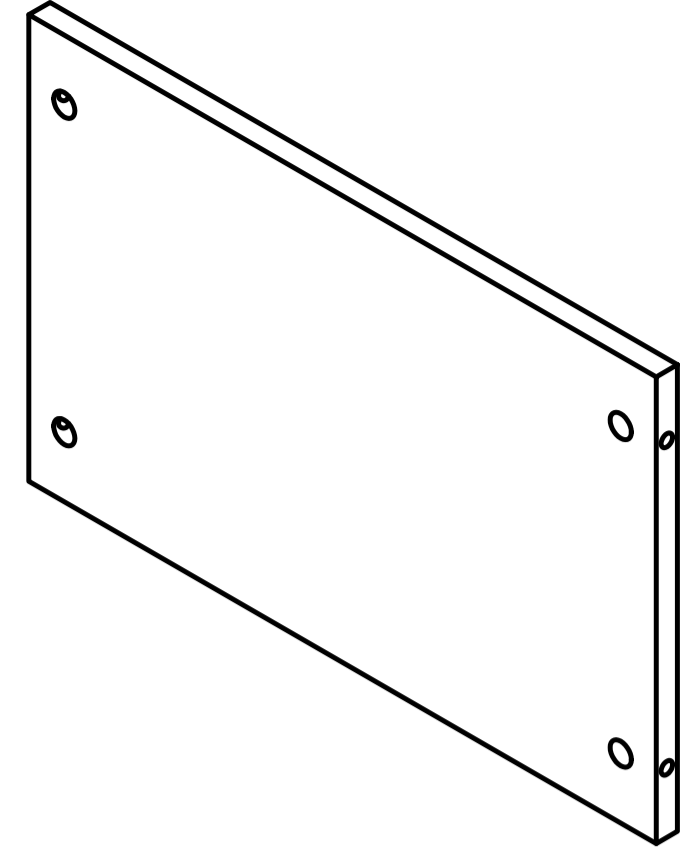
2



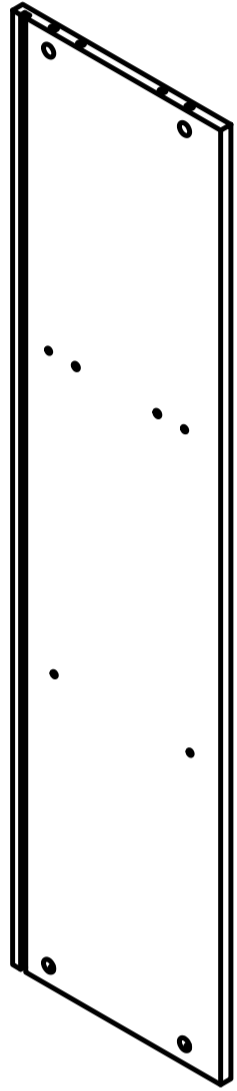
30x1



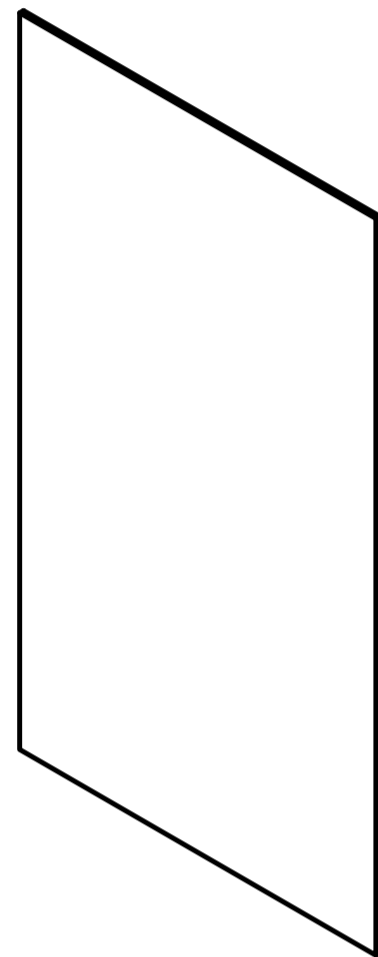
31x1



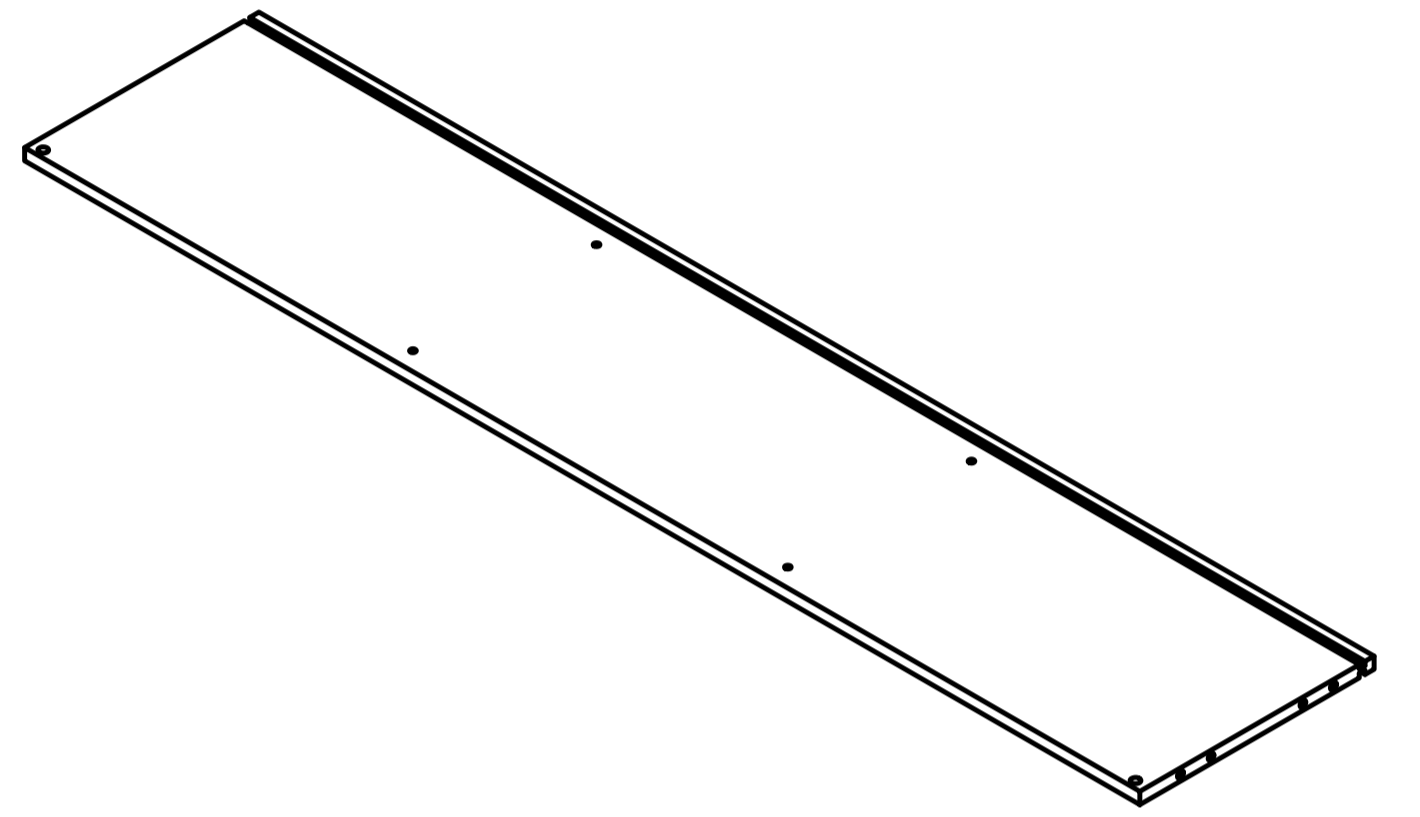
32x1



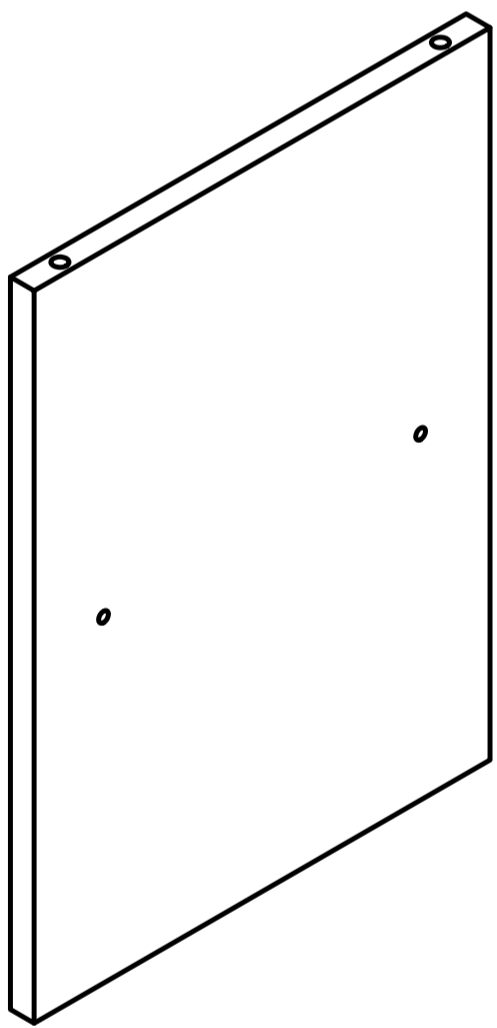
33x1



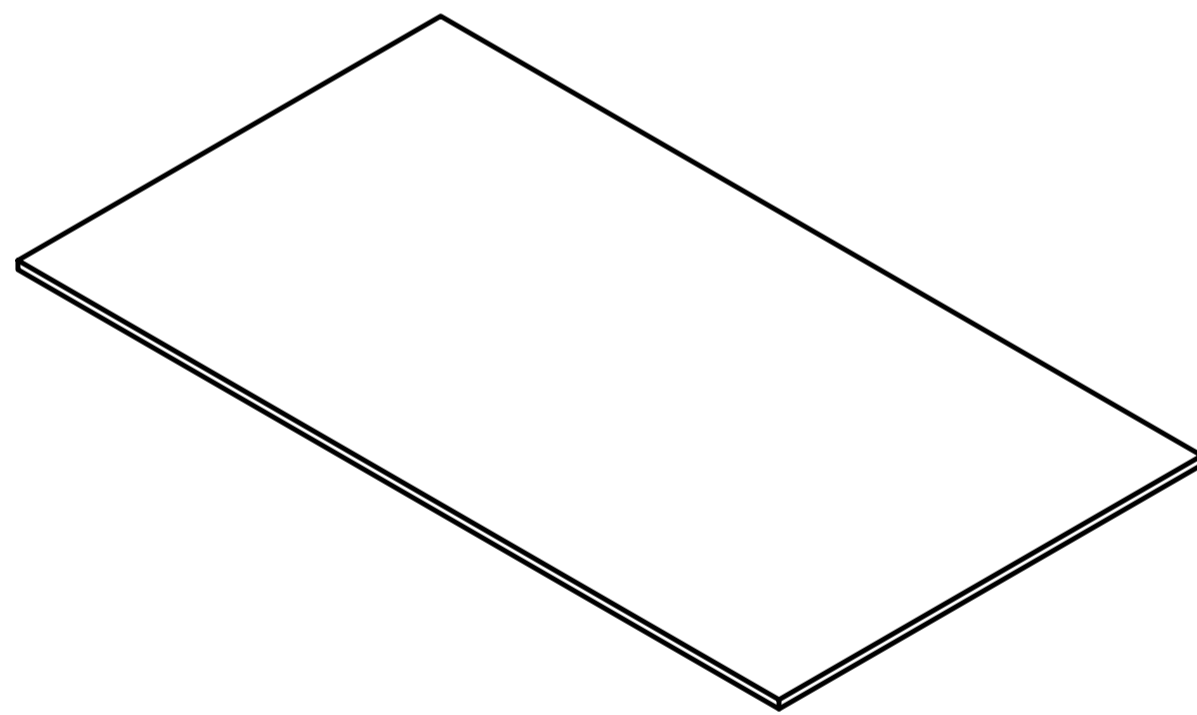
34x1



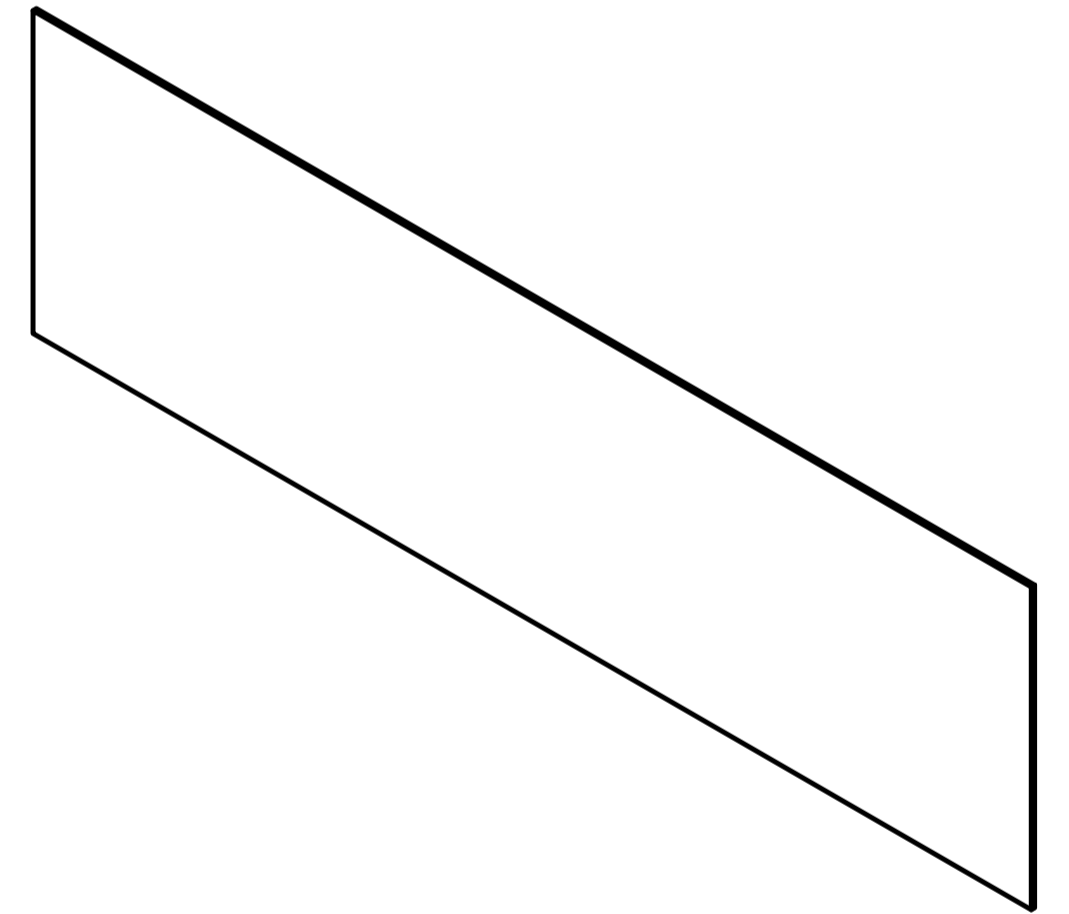
35x1



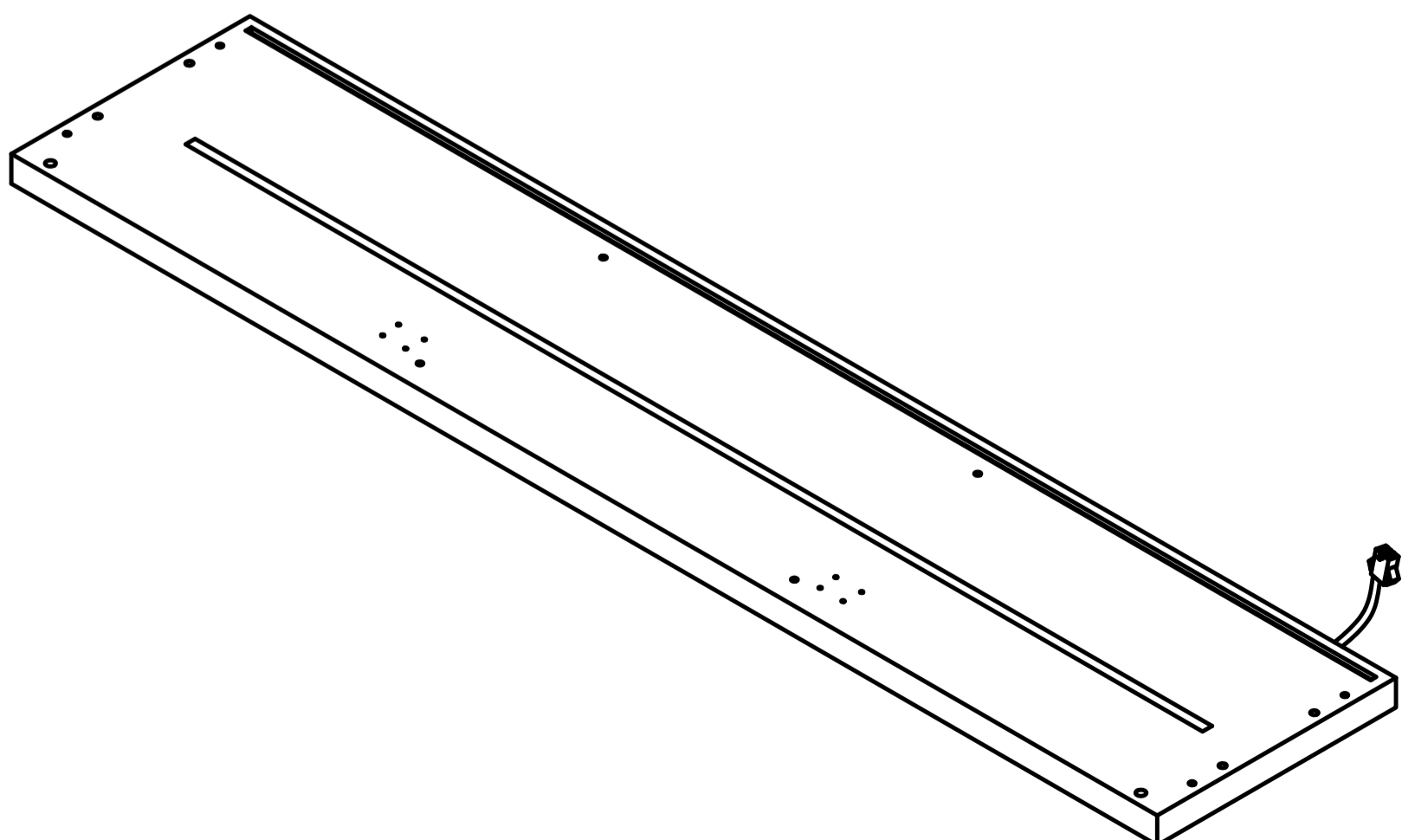
36x2



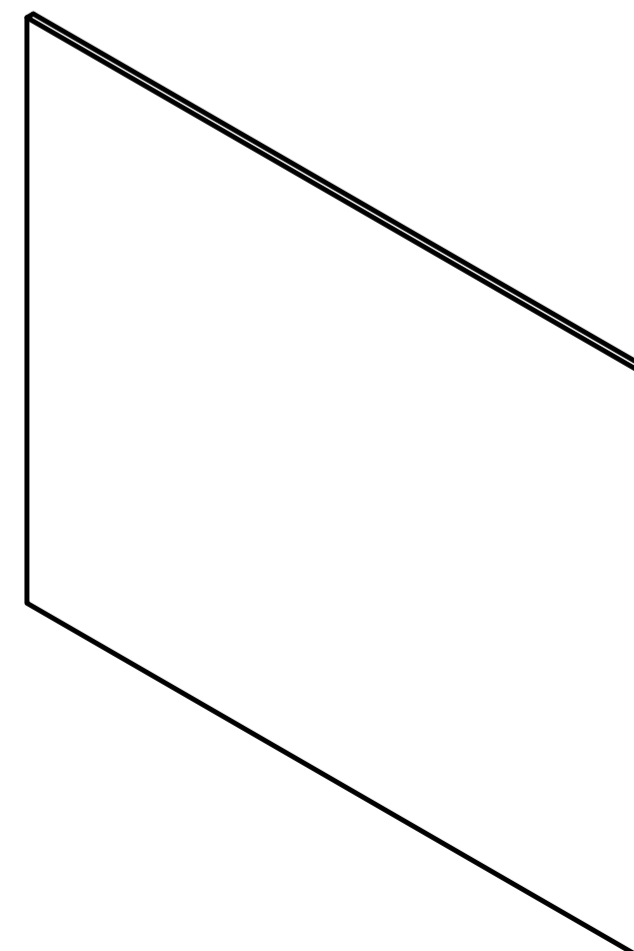
37x1



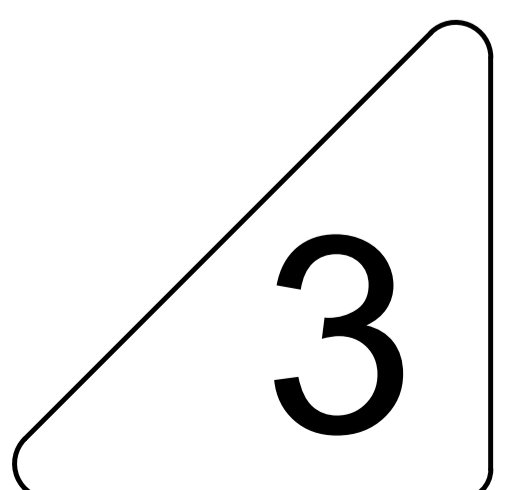
38x1



39x1

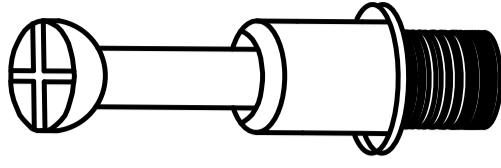
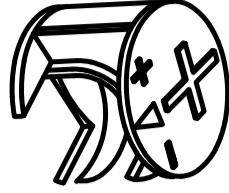

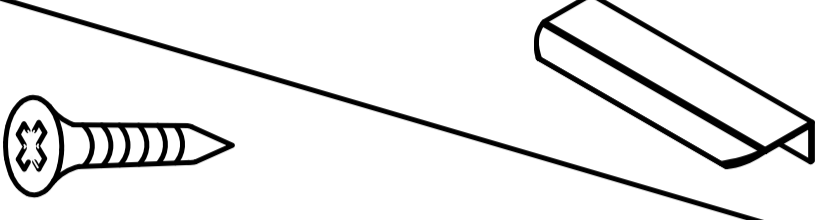
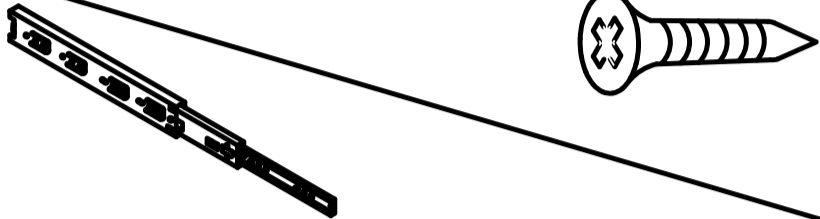



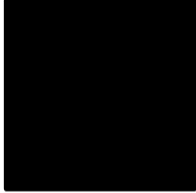
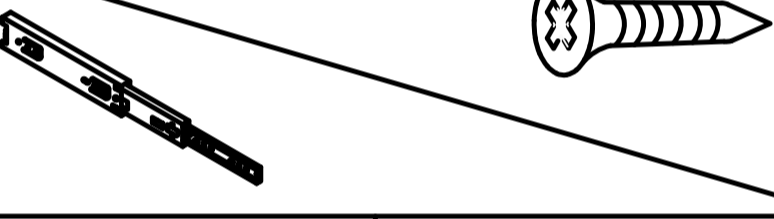
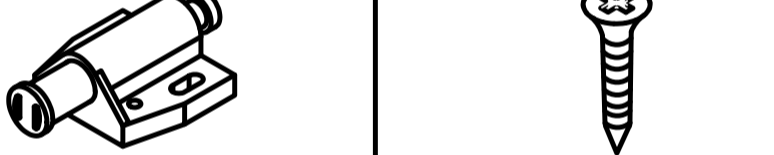
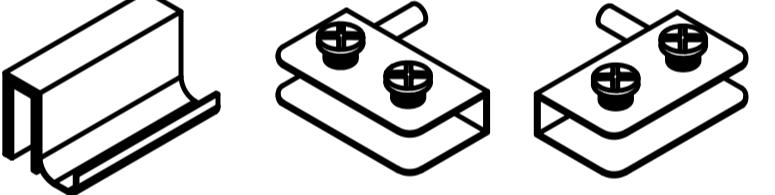

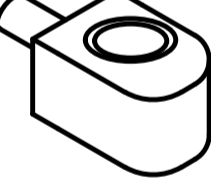
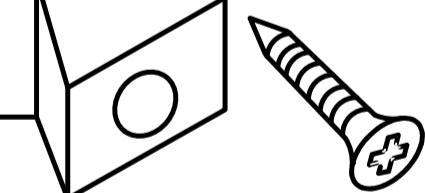


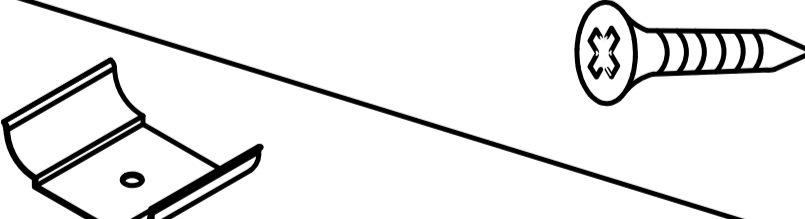
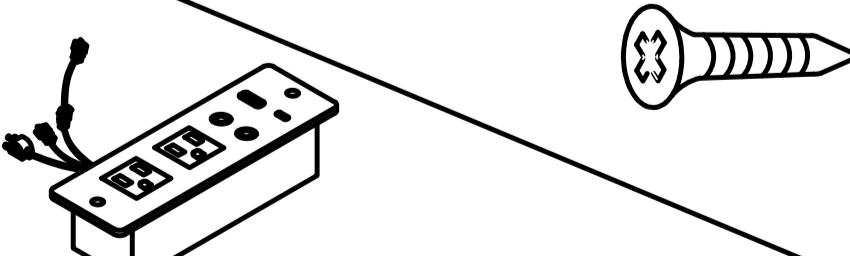
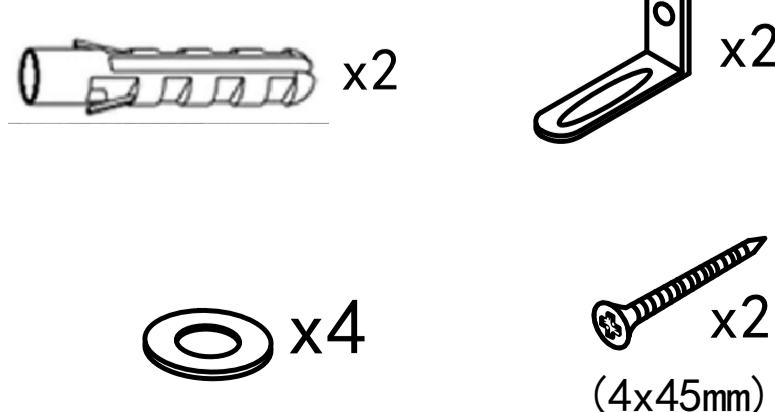



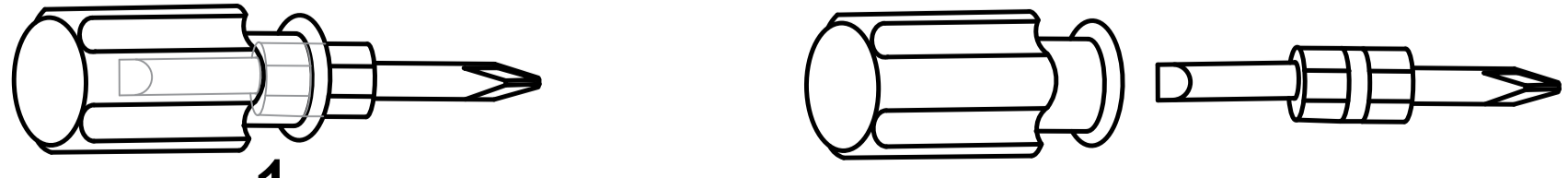



40x2

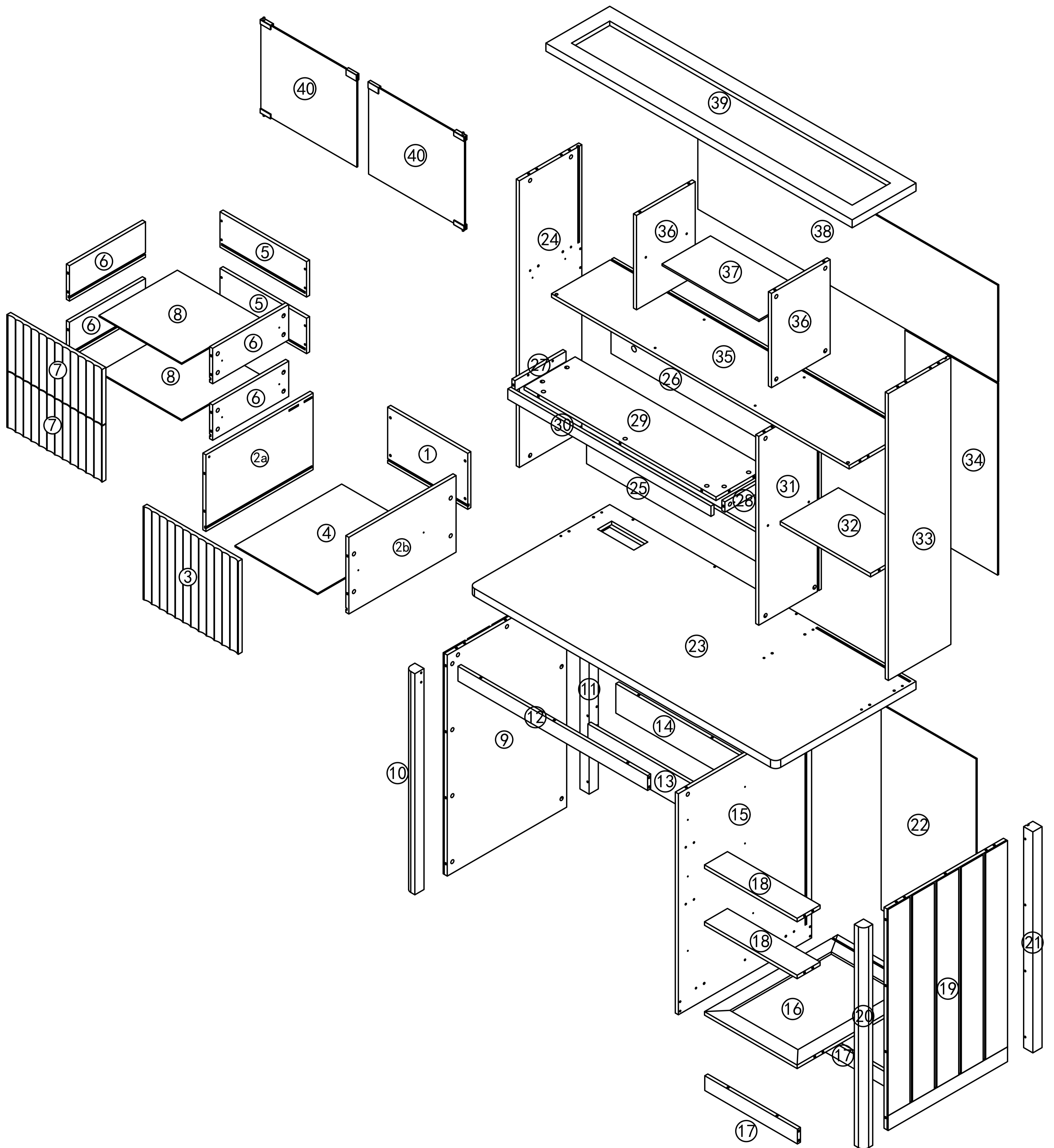


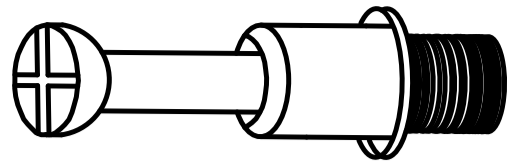
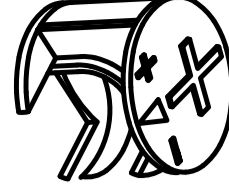
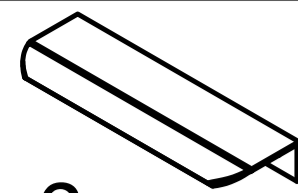
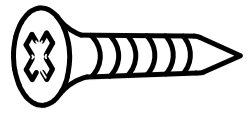
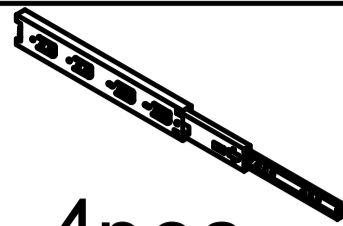
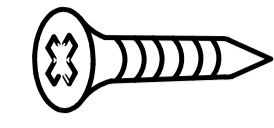

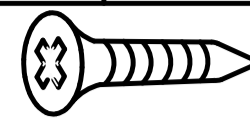

3

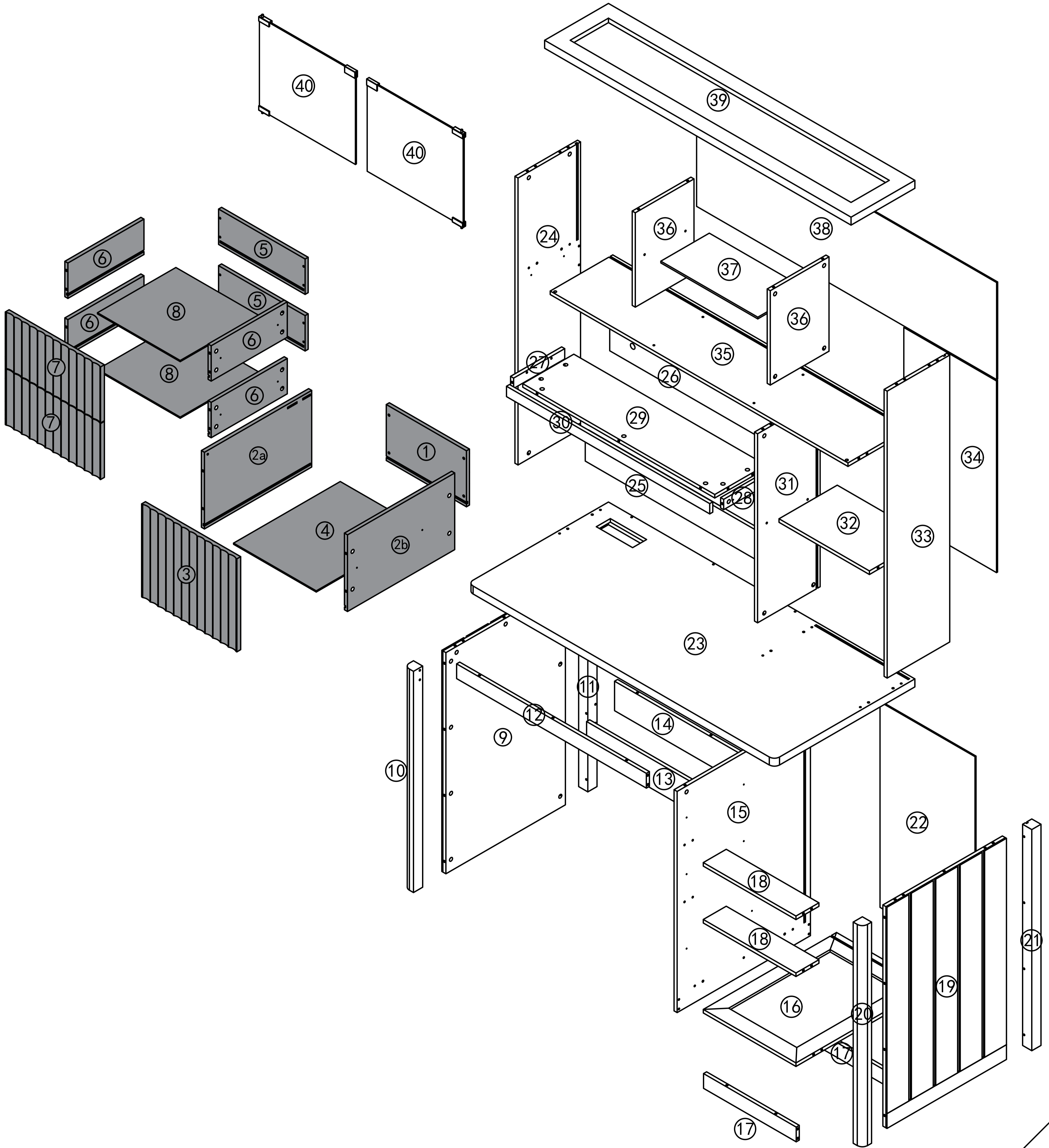
# Accessories list

A		Two in one screw (6x28mm)	143pcs +10pcs
B		Two in one nut (10x12mm)	143pcs +10pcs
C		Wood chipping (6x30mm)	24pcs +4pcs
D		Handle & Screw (3x10mm)	6pcs +1pcs / 3pcs
E		Guide & Screw(29cm) (3x12mm)	4pcs / 20pcs +4pcs
F		Guide & Screw(34cm) (3x12mm)	2pcs / 10pcs +2pcs
G		Iron wire (331)	2pcs
H		Non-slip pads	5pcs +1pcs
I		Non-slip pads (25x25x2)	4pcs +2pcs
J		Guide & Screw(19cm) (3x12mm)	2pcs / 8pcs +2pcs
K		Rebound device & Screw (3x16mm)	2pcs / 8pcs +2pcs
		Iron sheet & Hinge	2pcs
		Rubber ring	4pcs
L		Laminate support nail	4pcs +1pcs
M		Fixing clip & screw (3x16mm)	26pcs +3pcs
N		Wire Clamp	3pcs +1pcs
O		reading lamp	1pcs
P		Reading lamp fixing buckle & screw (3x10mm)	3pcs / 3pcs +1pcs
Q		Power Socket & Screw (3x10mm)	1pcs / 2pcs +1pcs
R	  x2  x4  x2   1pcs Double-head screwdriver, use as required		 4

# Product structure decomposition

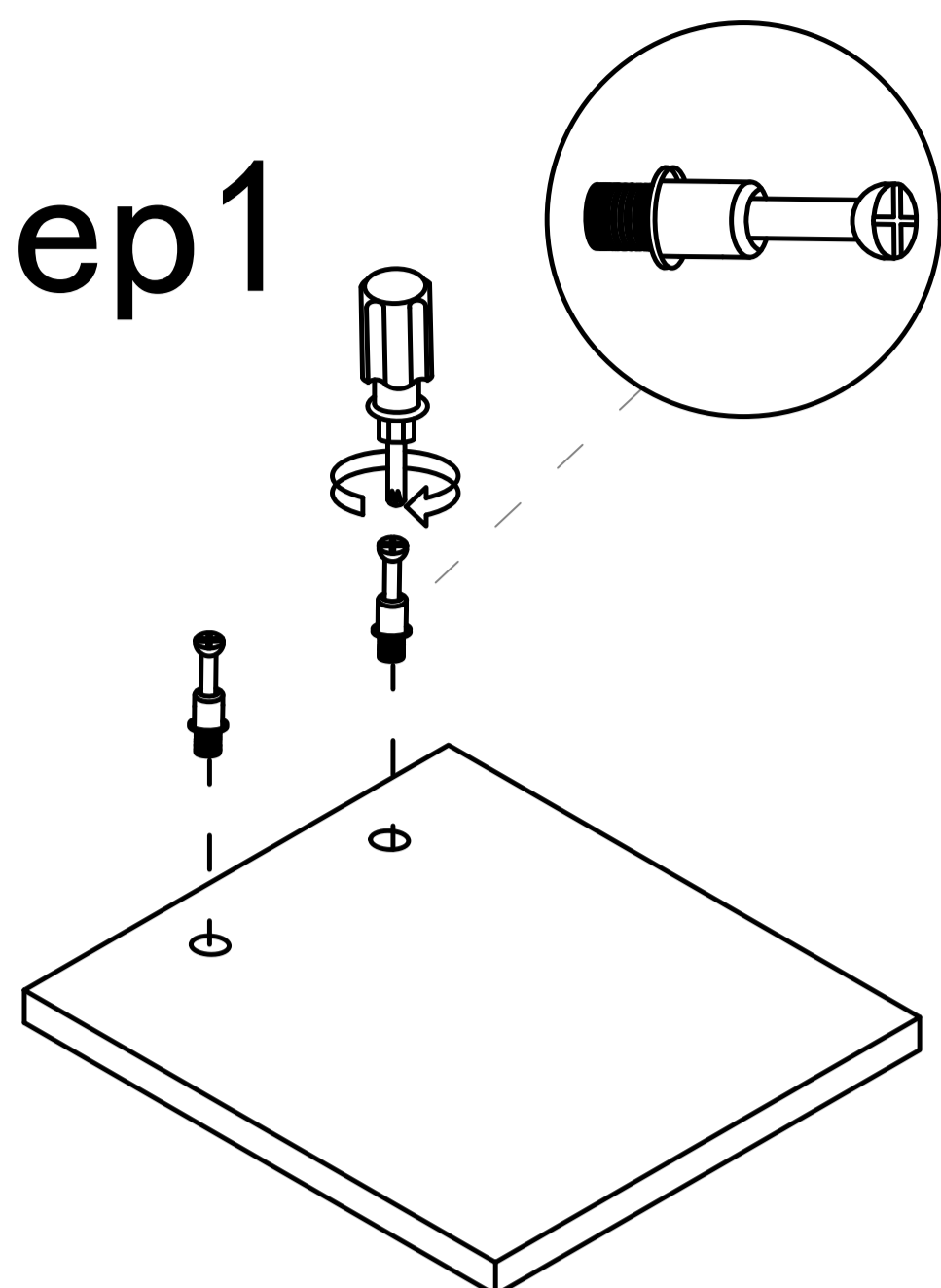


A		24pcs	B		24pcs	D			6pcs
E		4pcs	F		2pcs	G			4pcs
								1pcs	

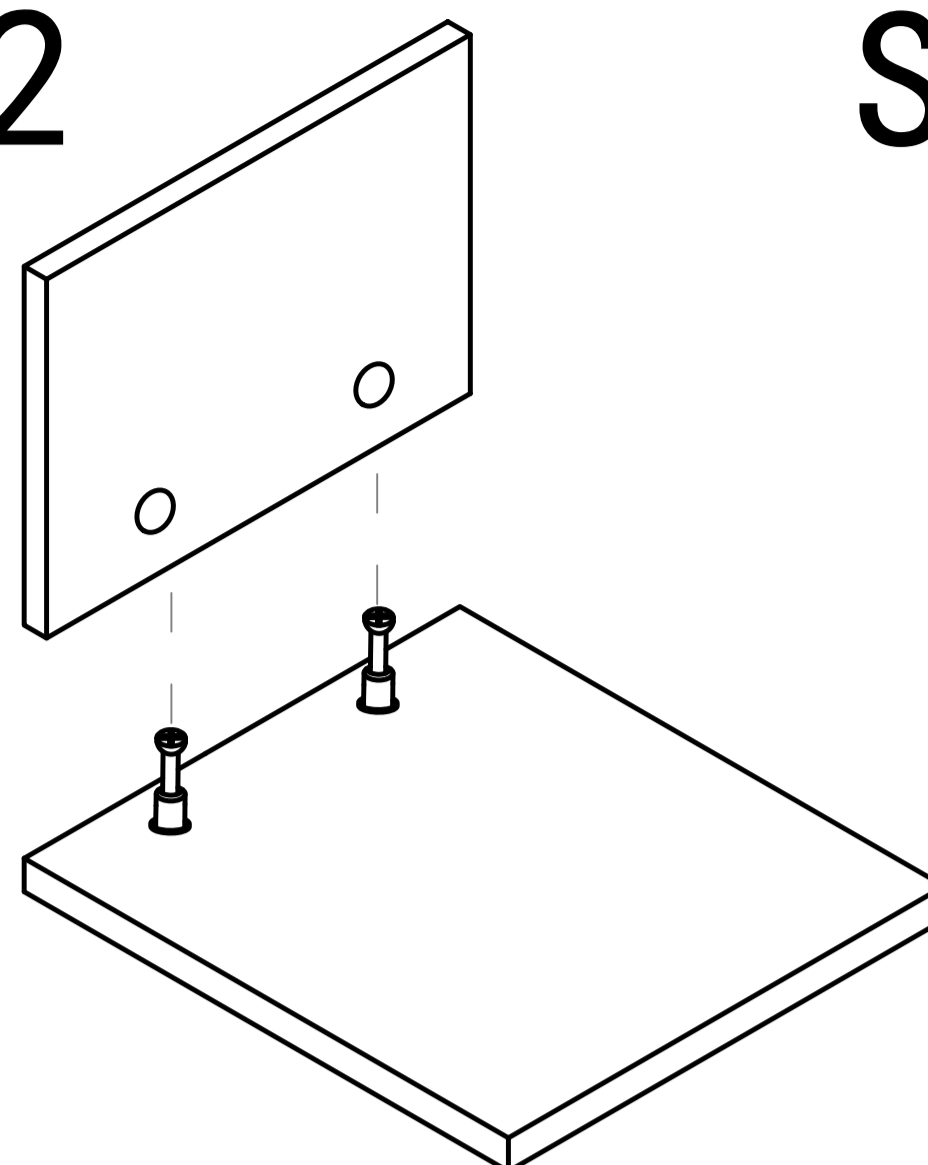


# Use parts A and B

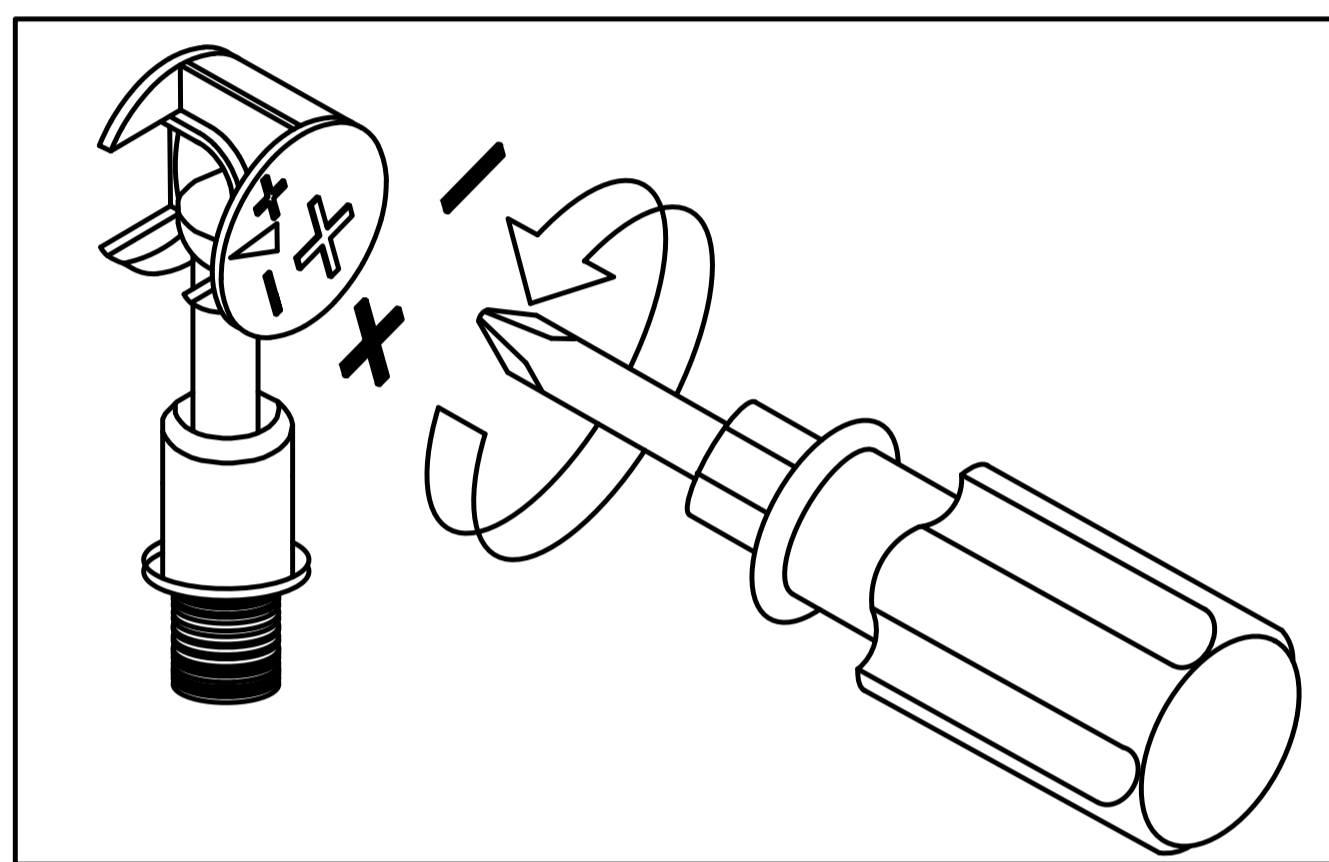
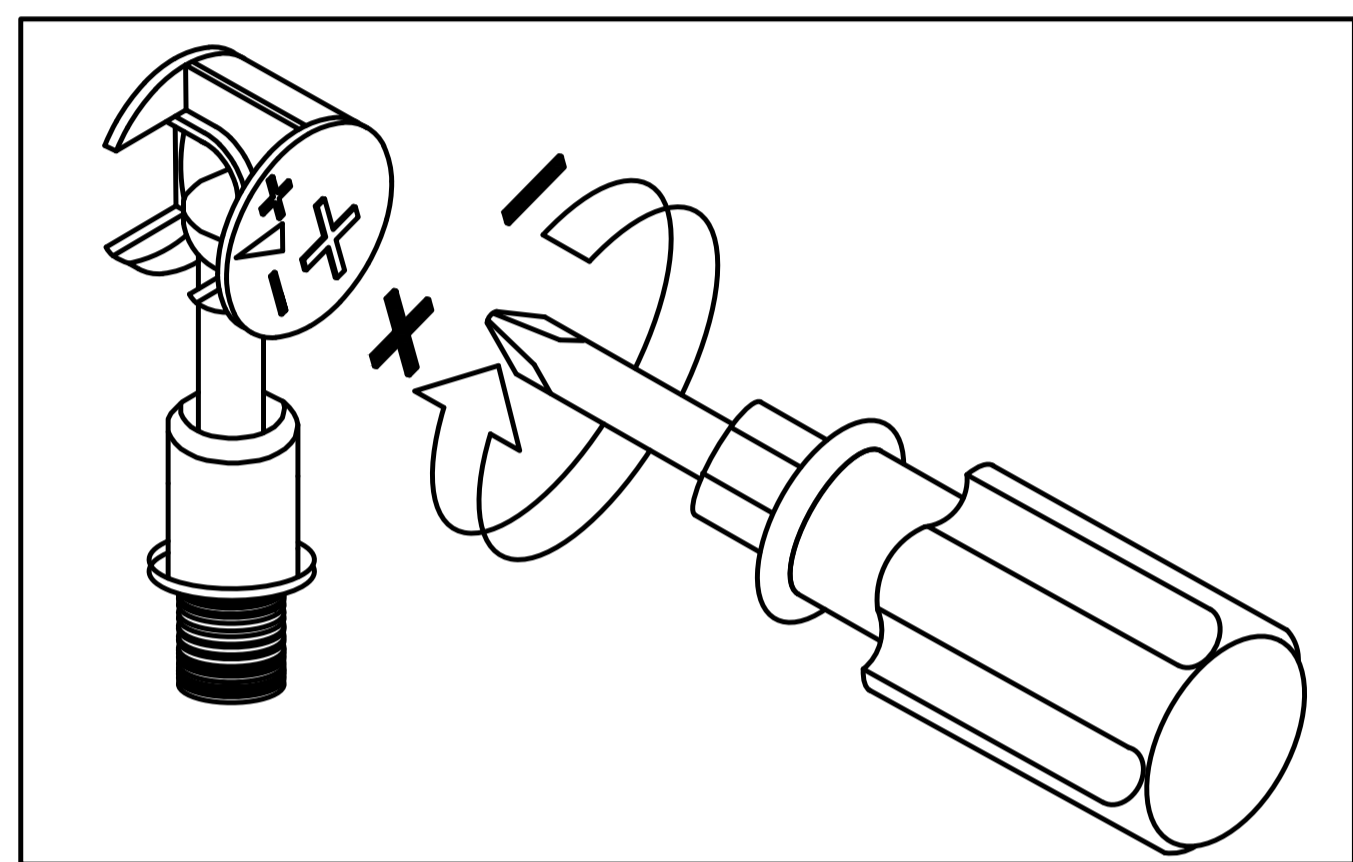
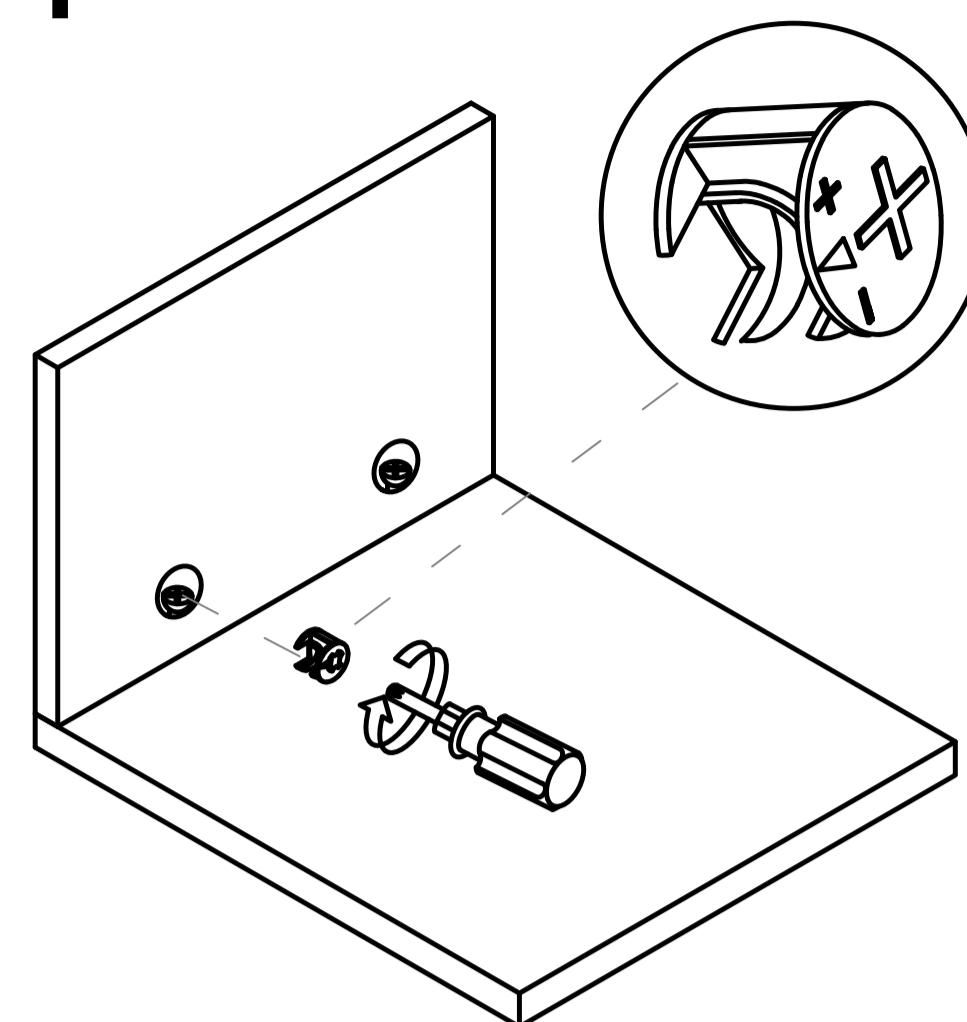
Step1



Step2



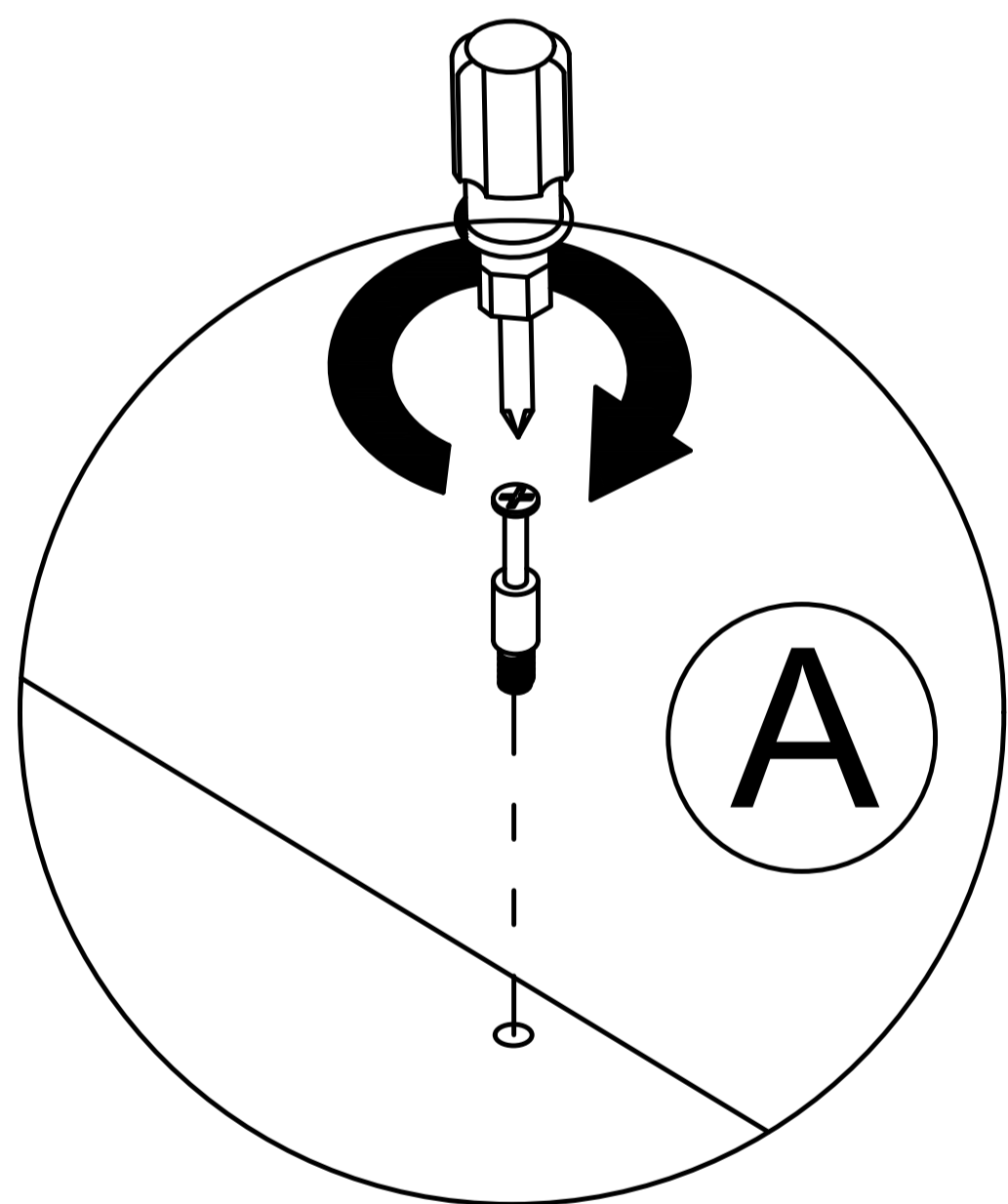
Step3



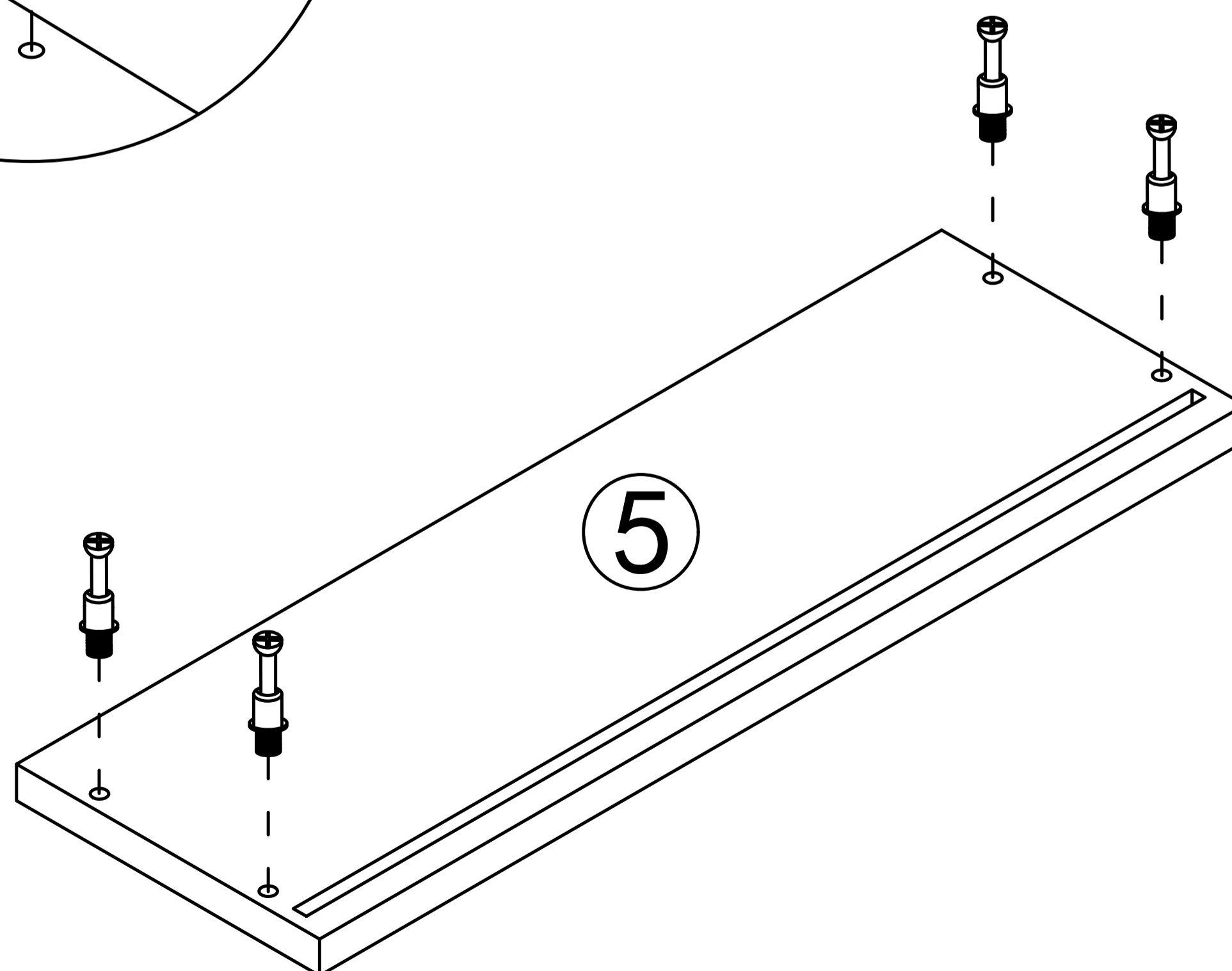
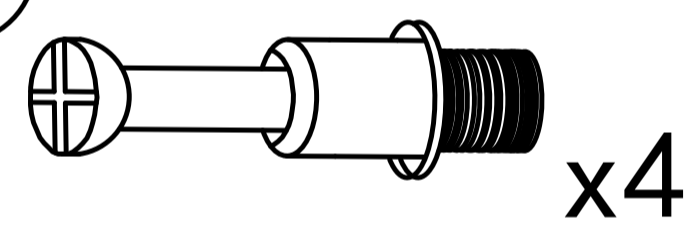
Use a screwdriver to lock in the direction of the "+" sign

Disassemble along the direction of "-" sign

Step 1



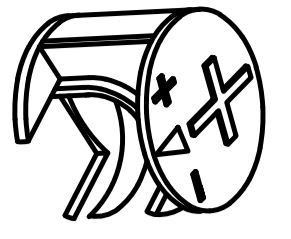
A



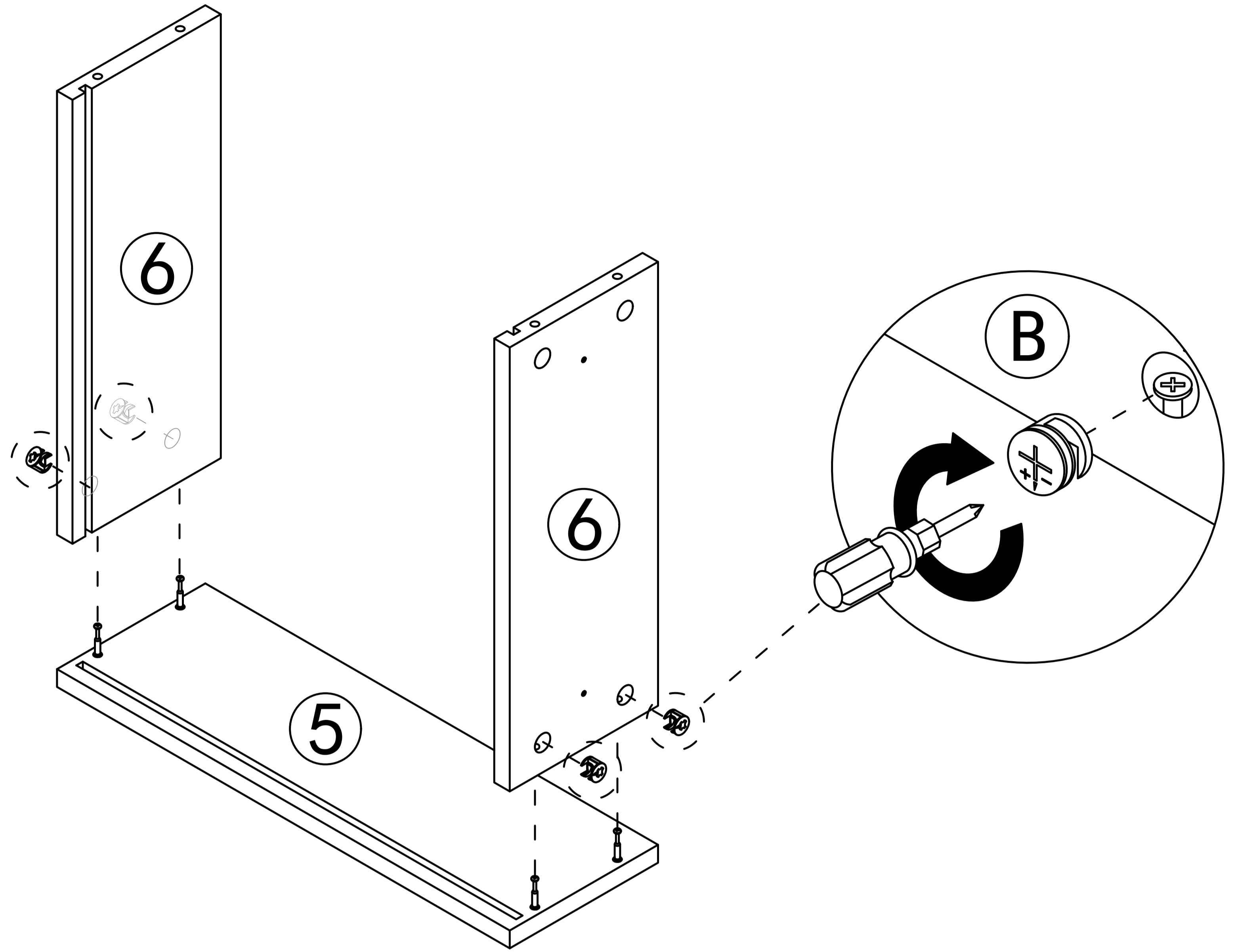
7

Step 2

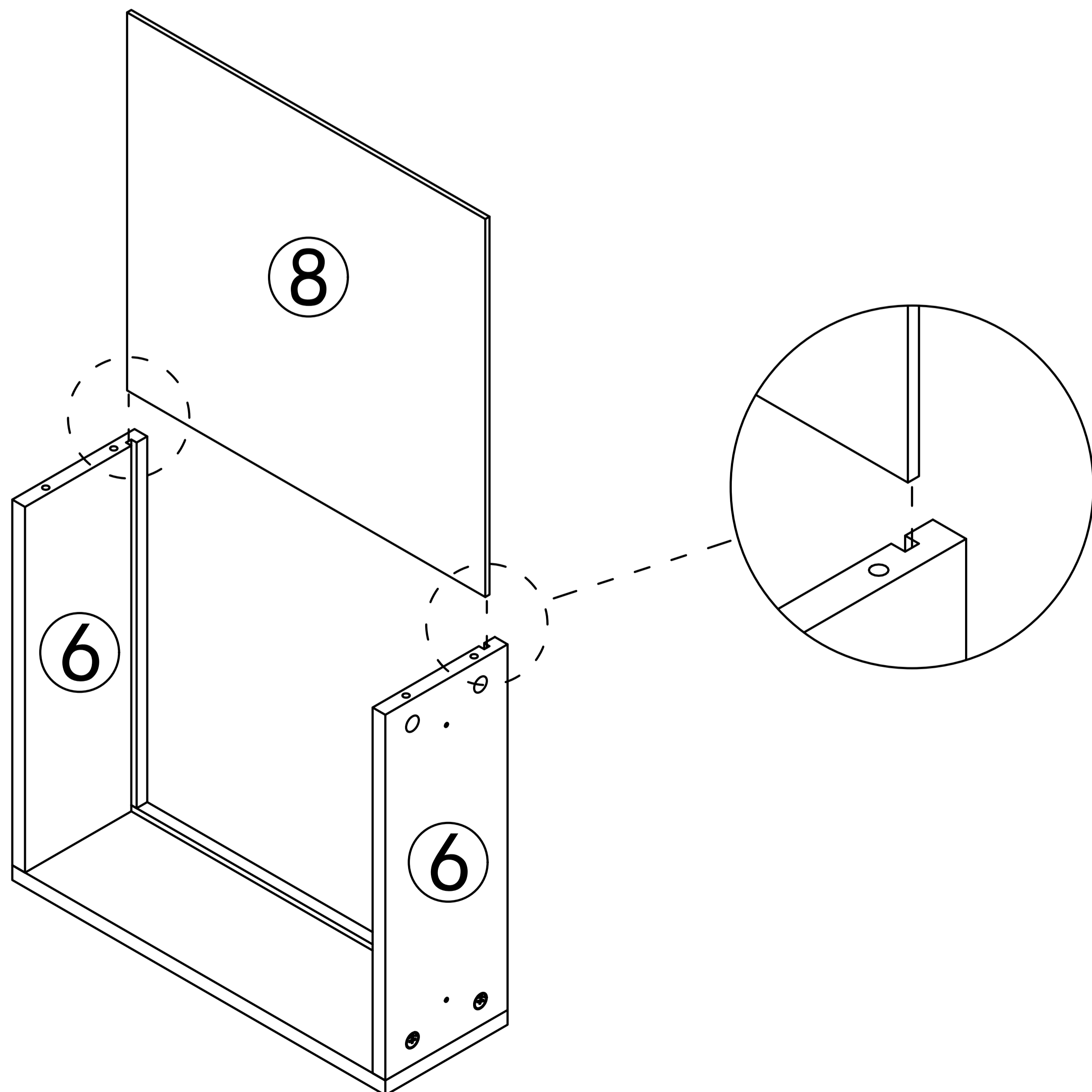
B



x4

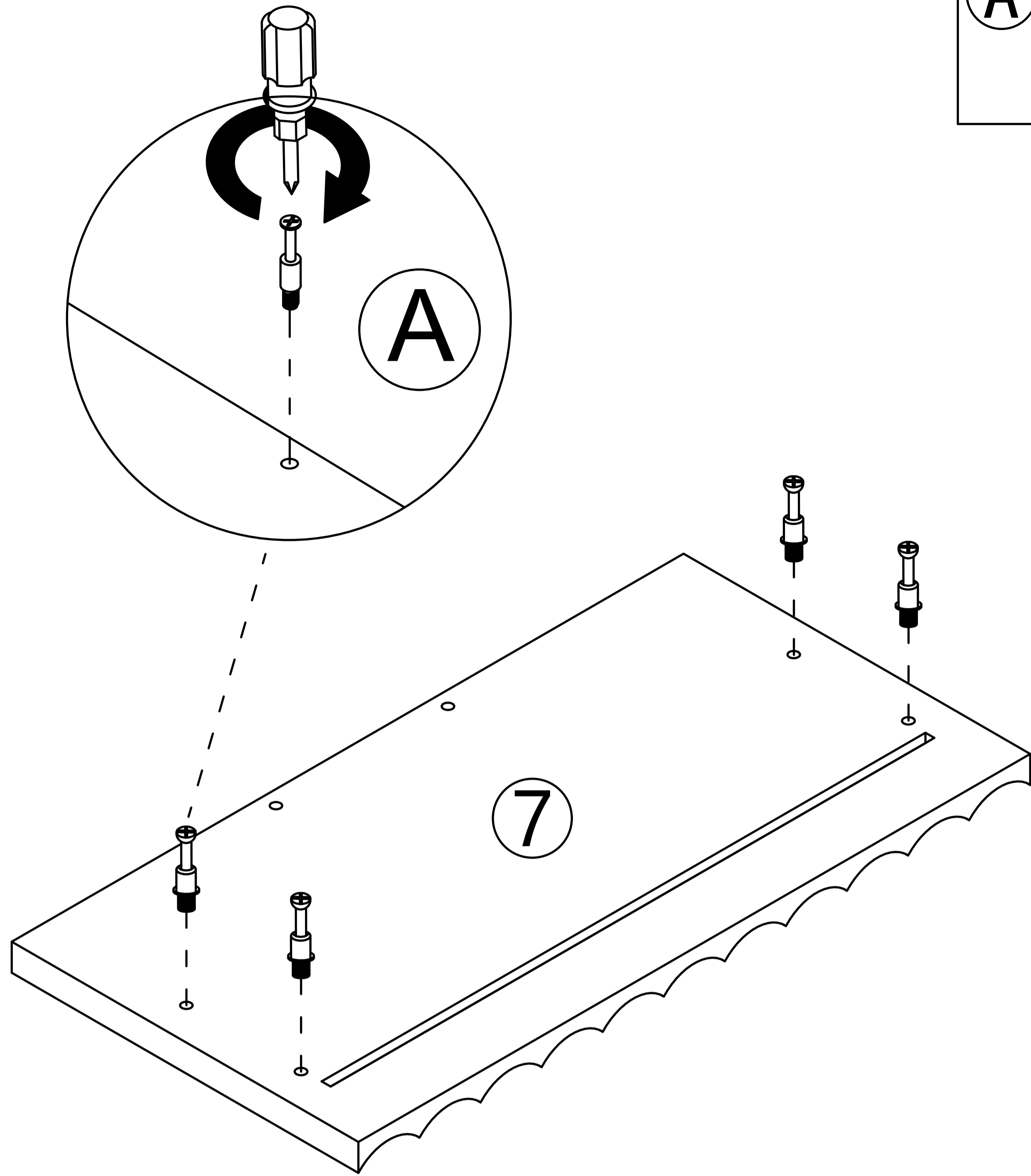
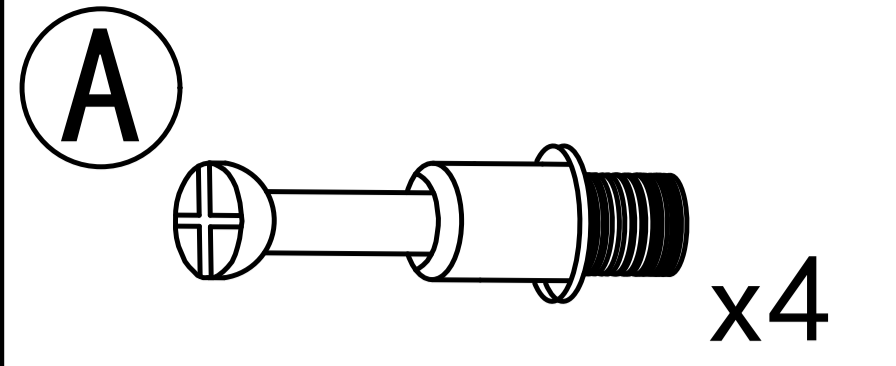


Step 3

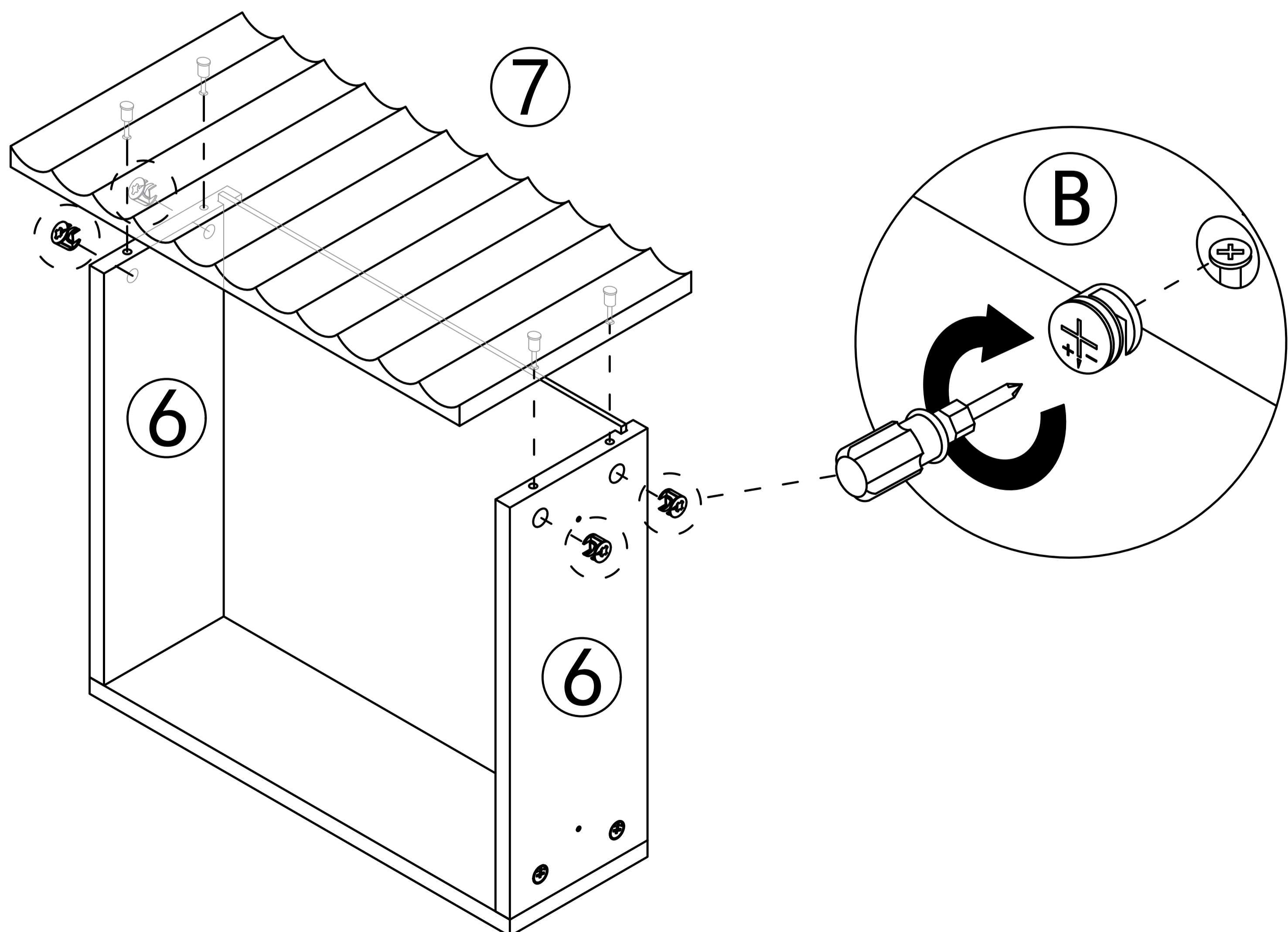
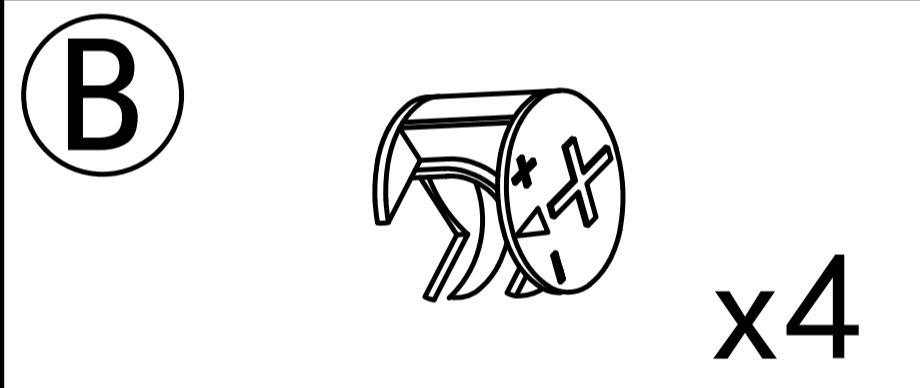


8

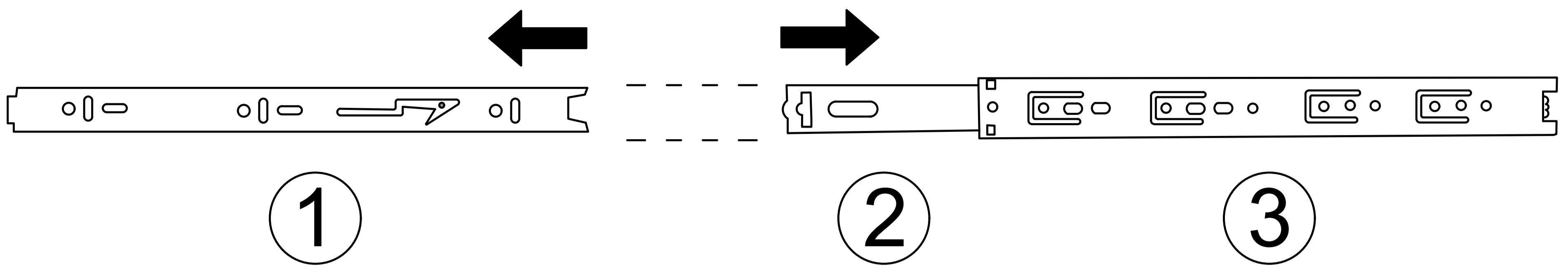
Step 4



Step 5

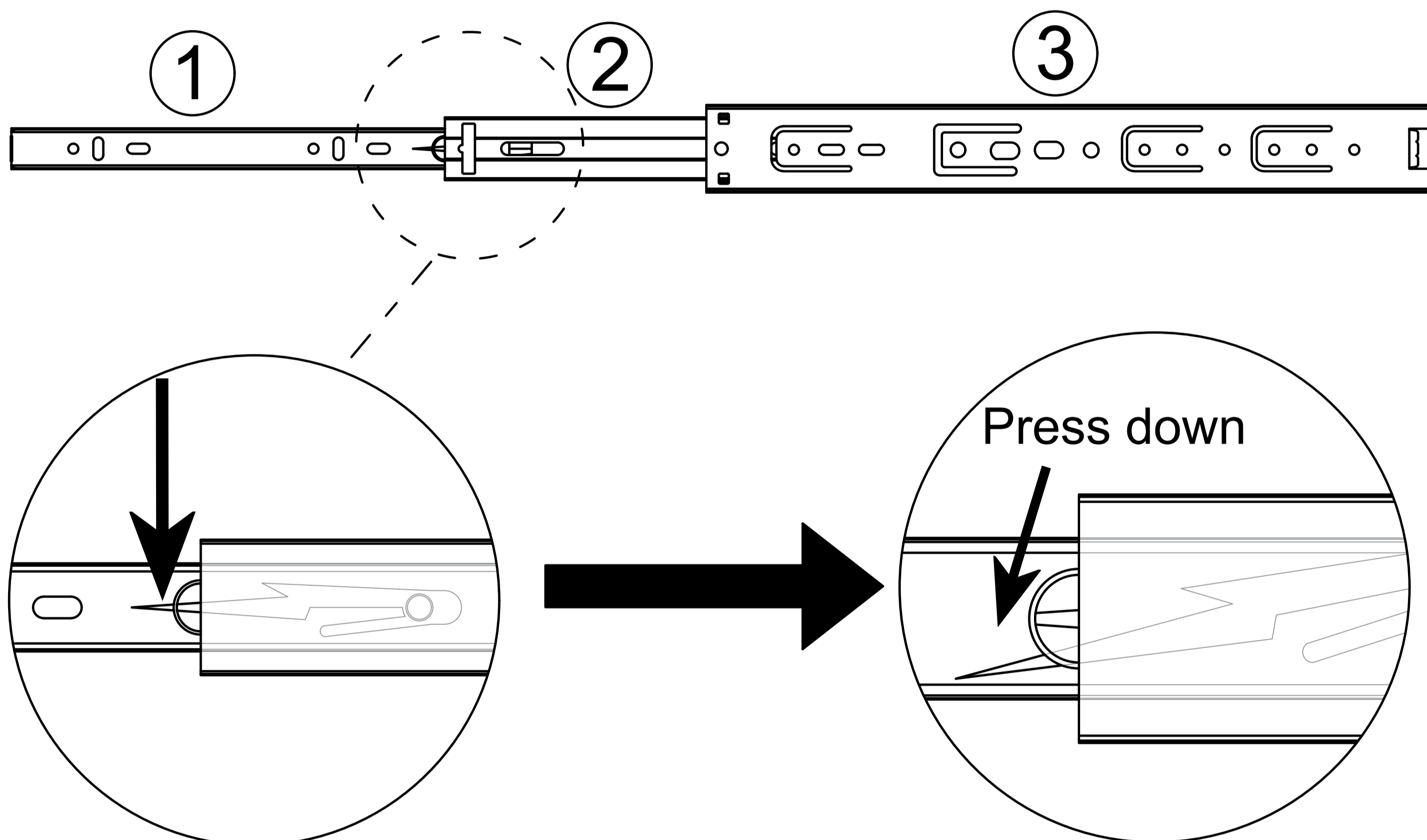


Drawer rail breakdown diagram



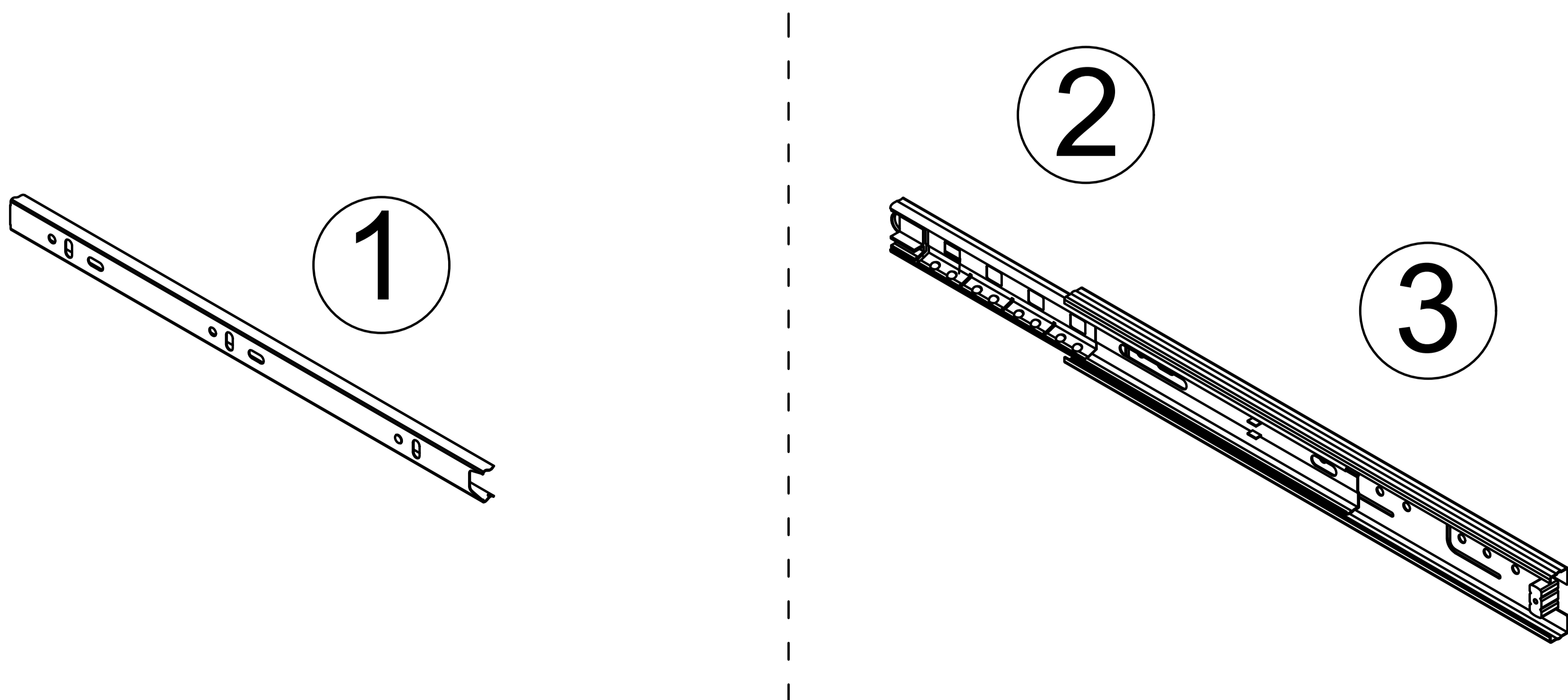
① Dismantle the schematic diagram

Step 1 : Pull the rails apart

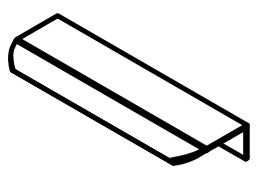



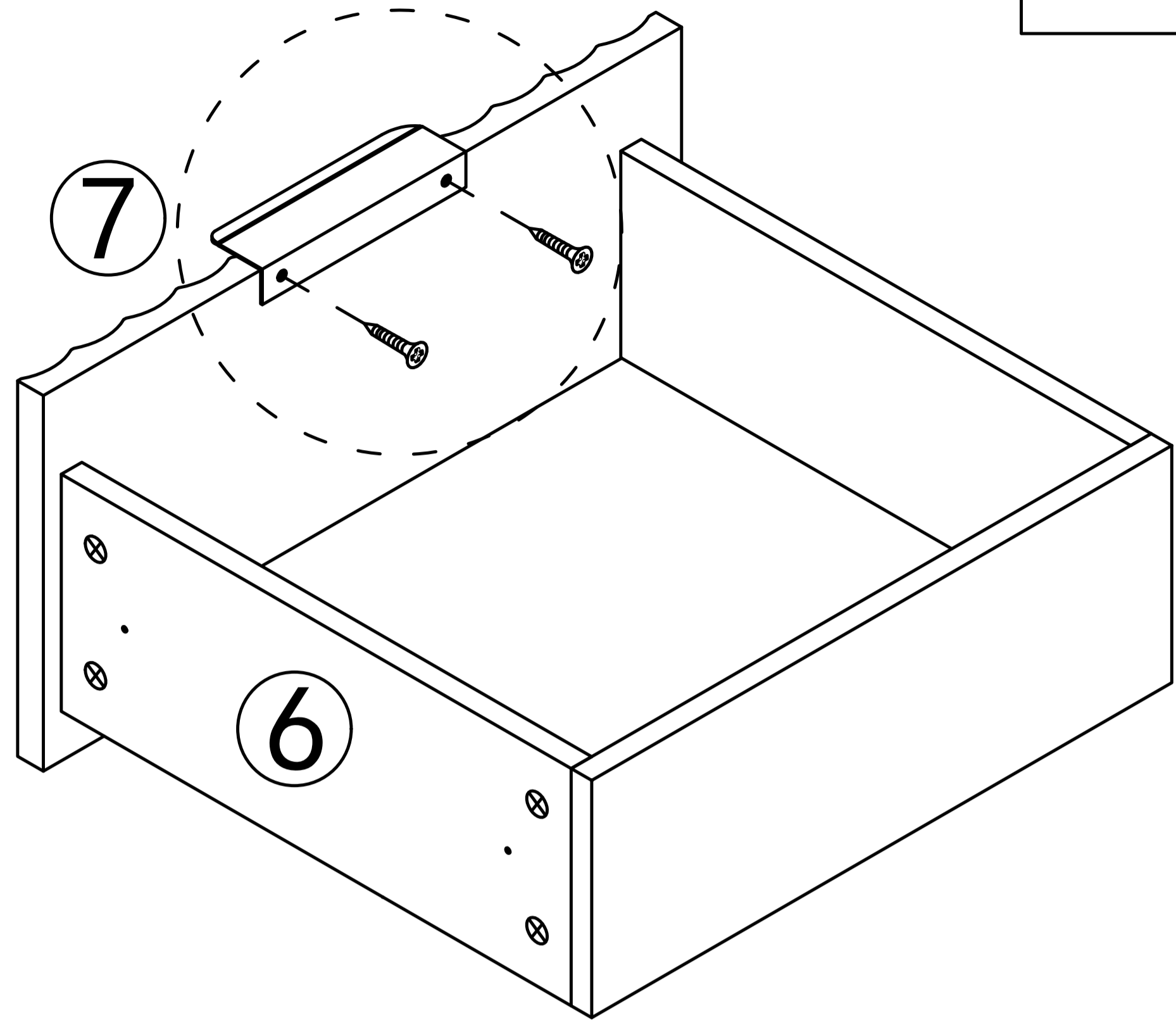
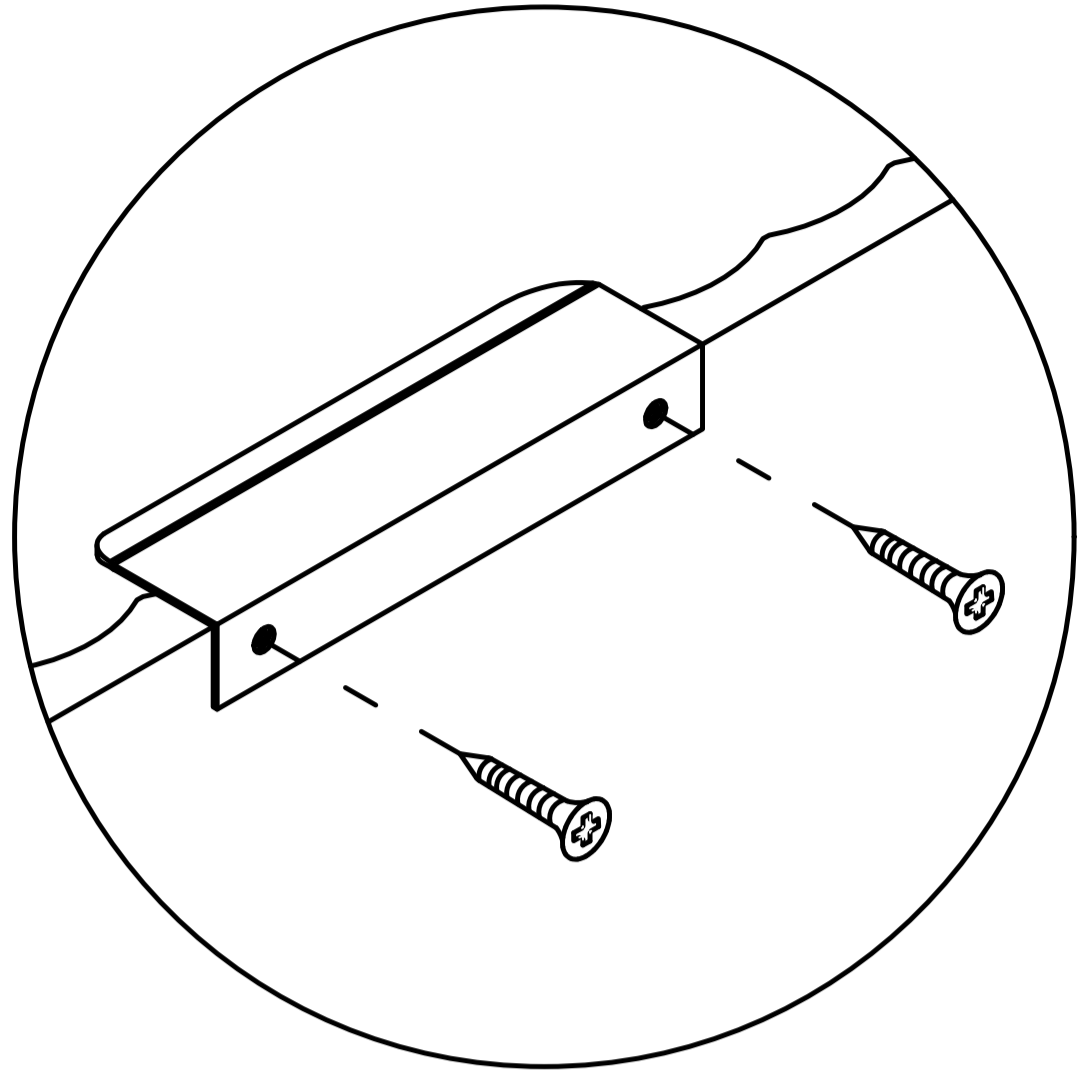
Step 2 : Press the nylon button and pull out ①.

Drawer rail decomposition completed schematic diagram

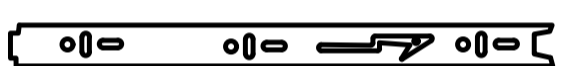



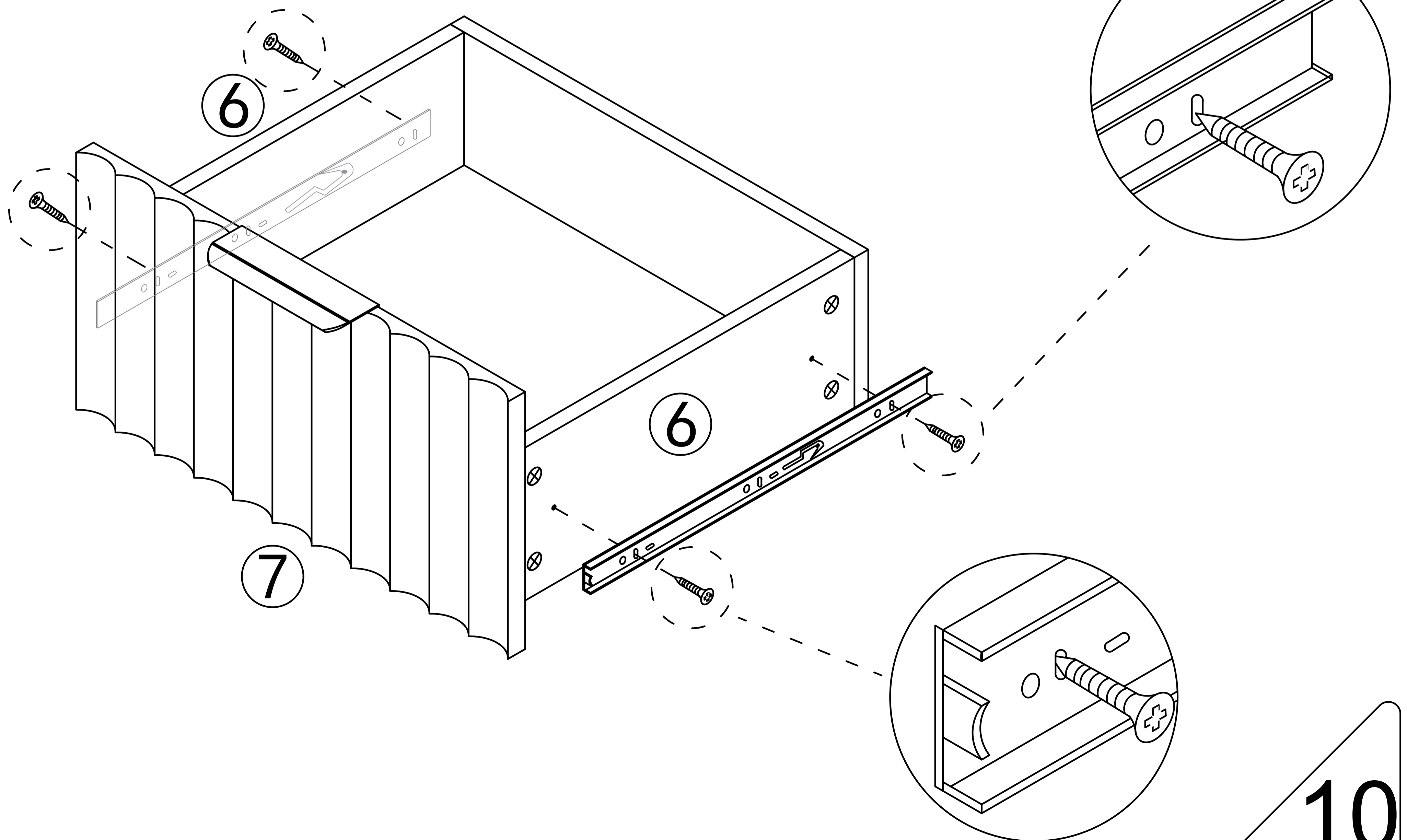
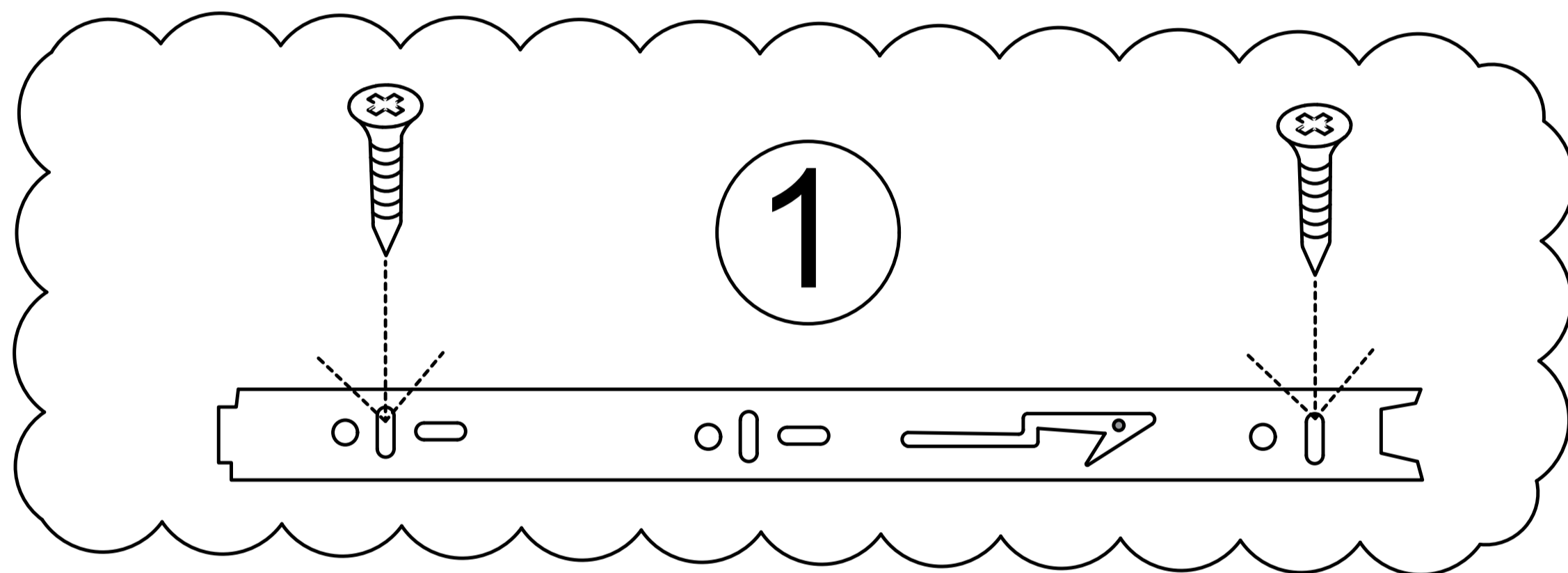
# Step 6

- D**  x1
-  x2

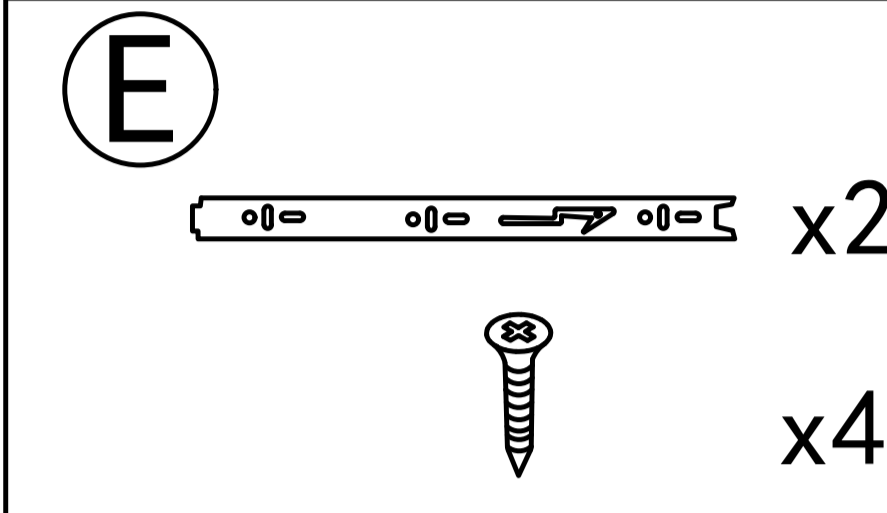
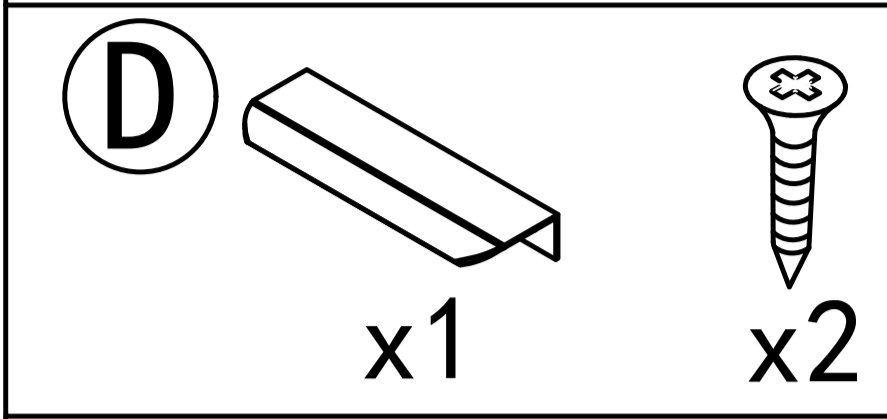
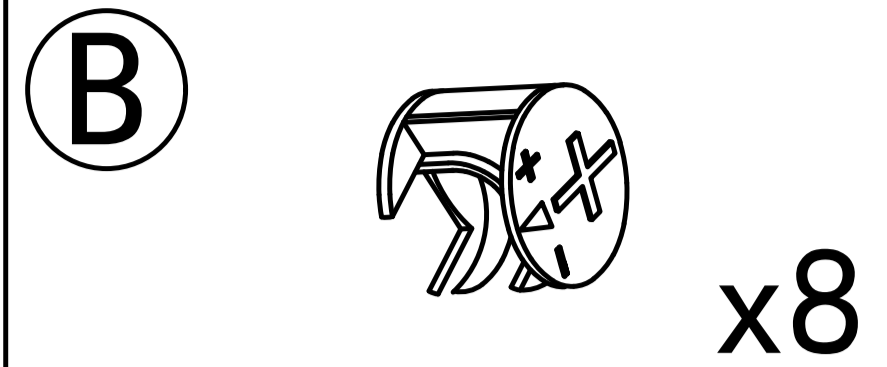
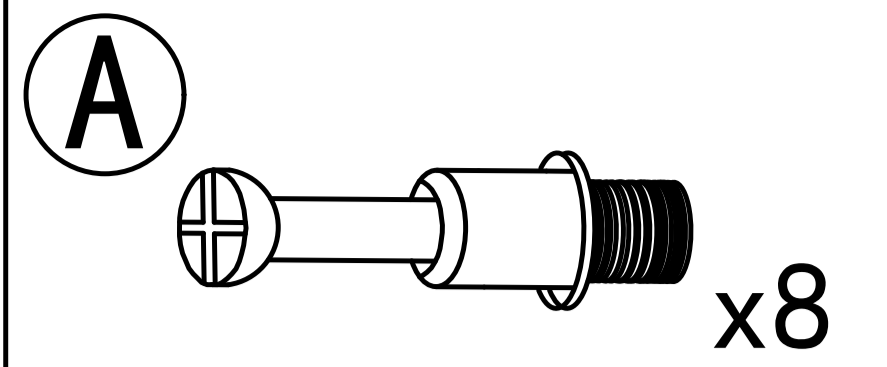


# Step 7

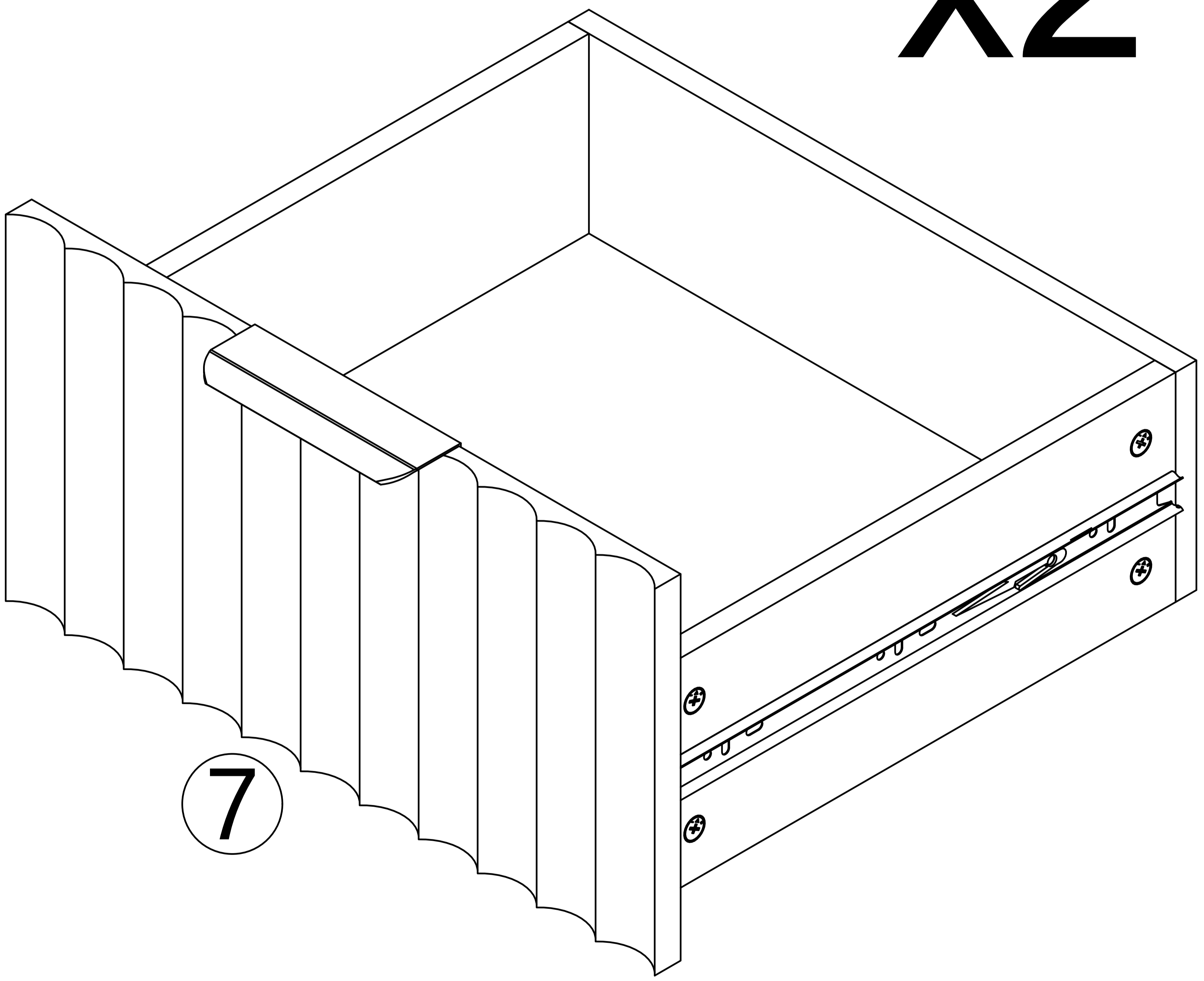
- E**  x2
-  x4



Step 8

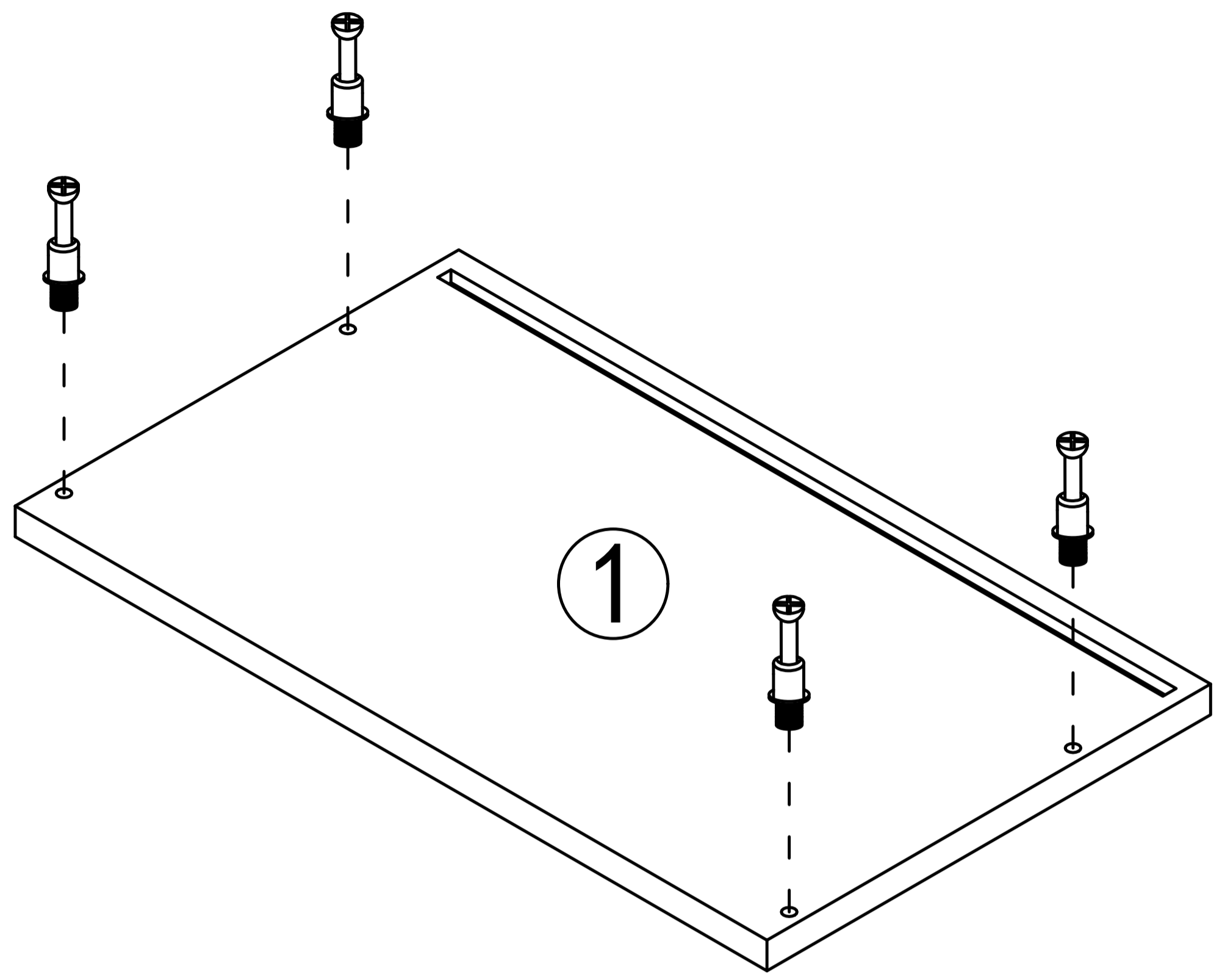
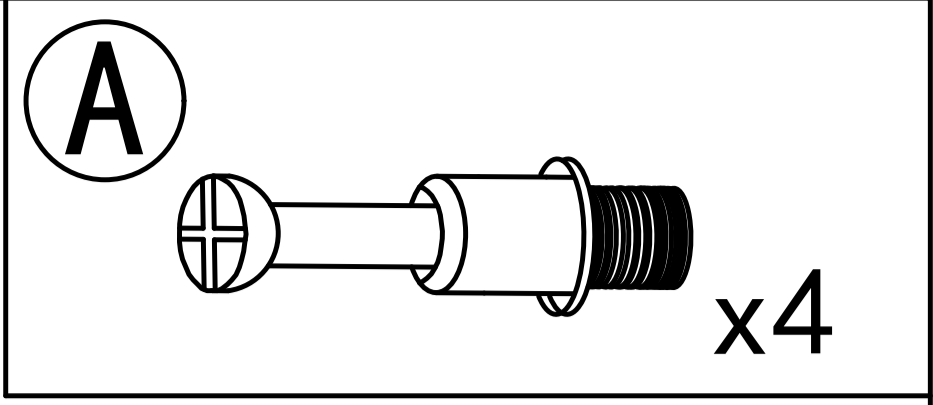


x2

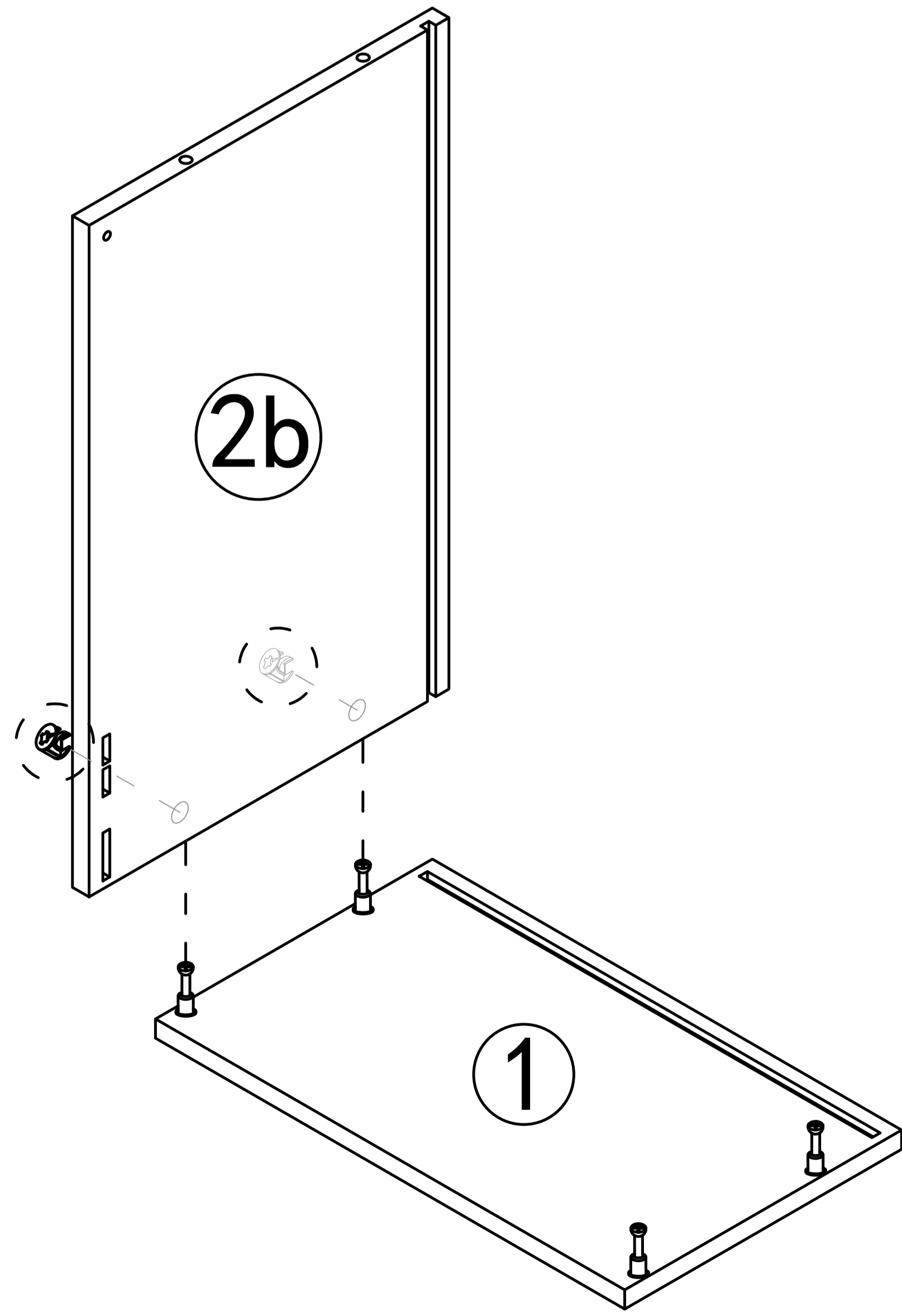
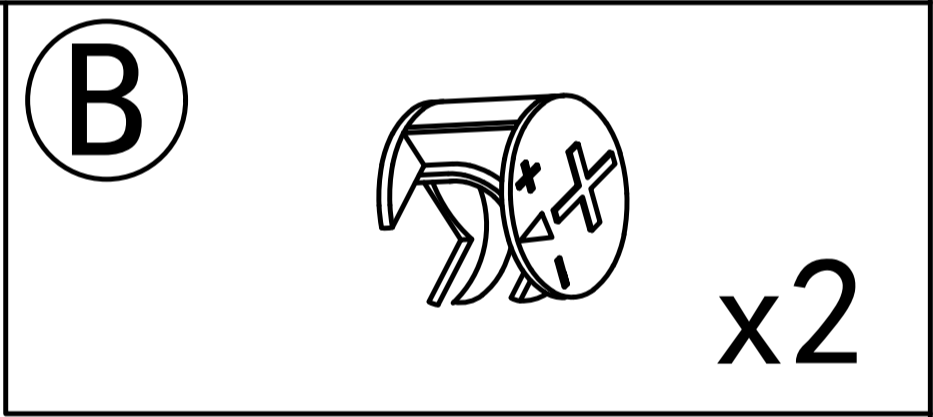


Repeat the drawer installation steps

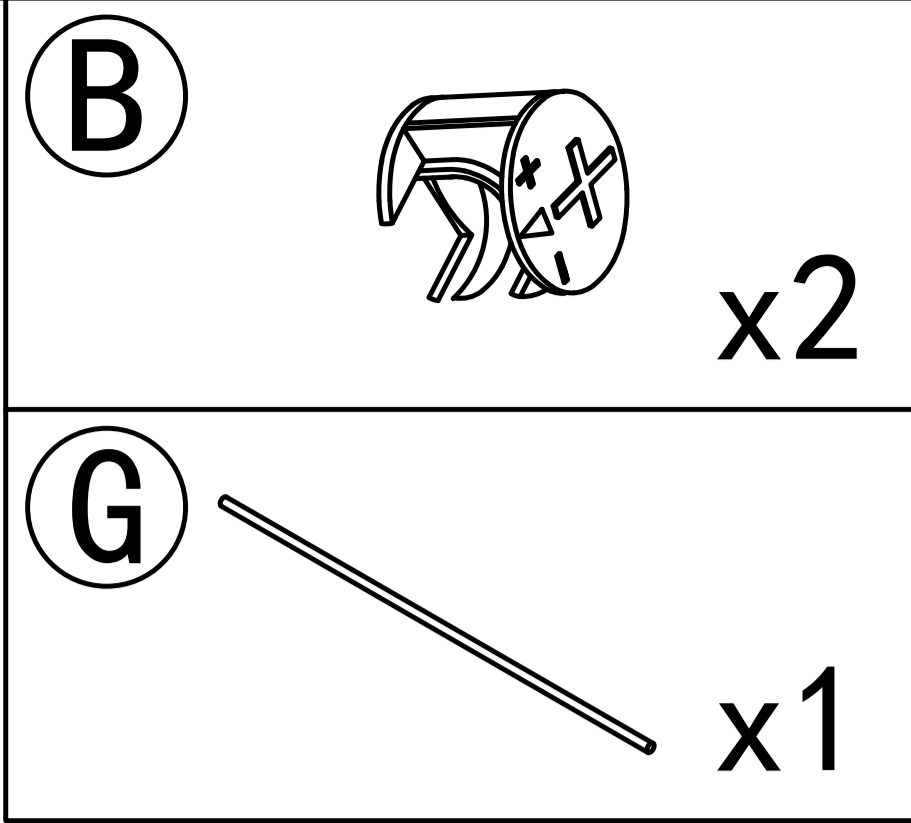
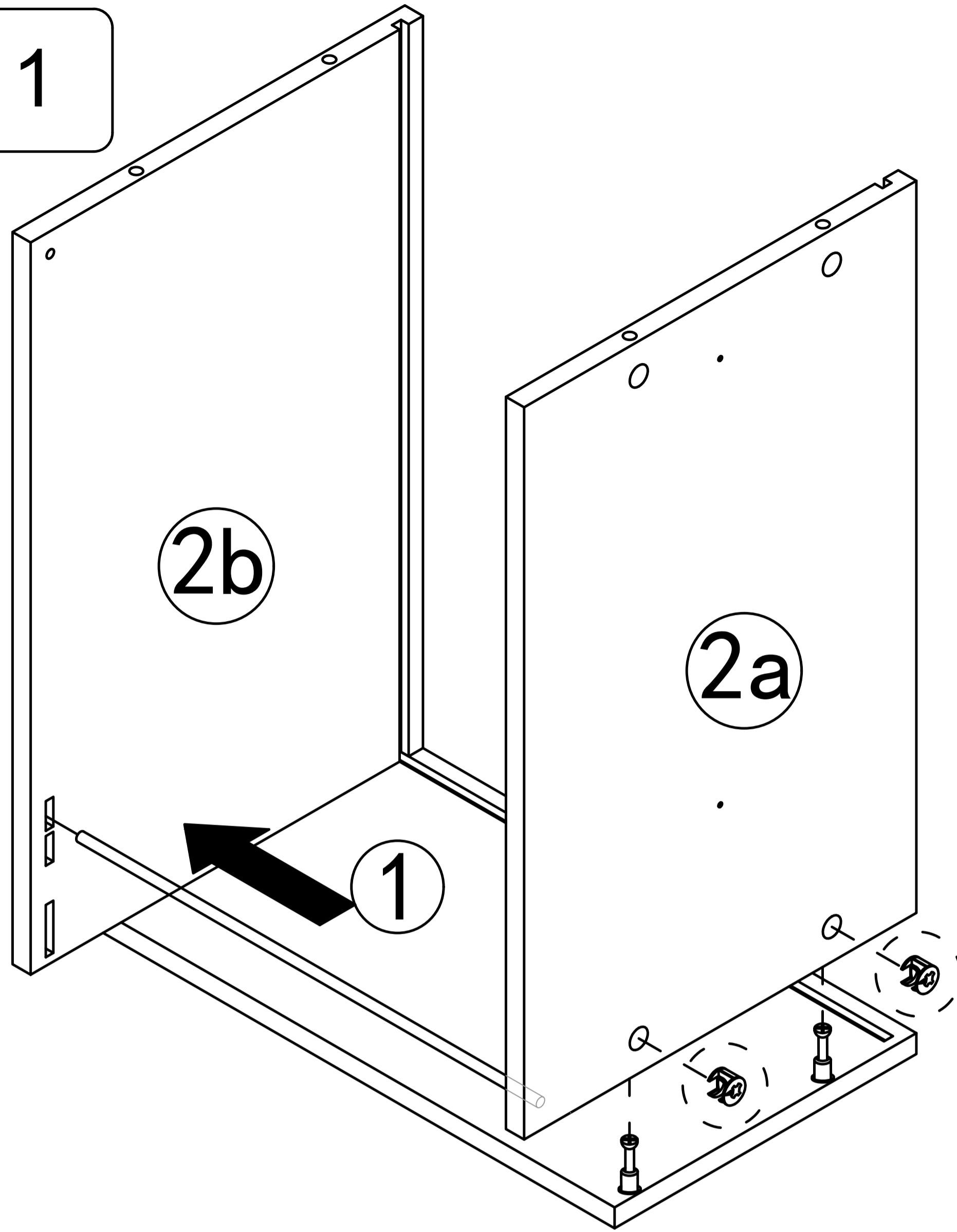
Step 9



Step 10



Step 11

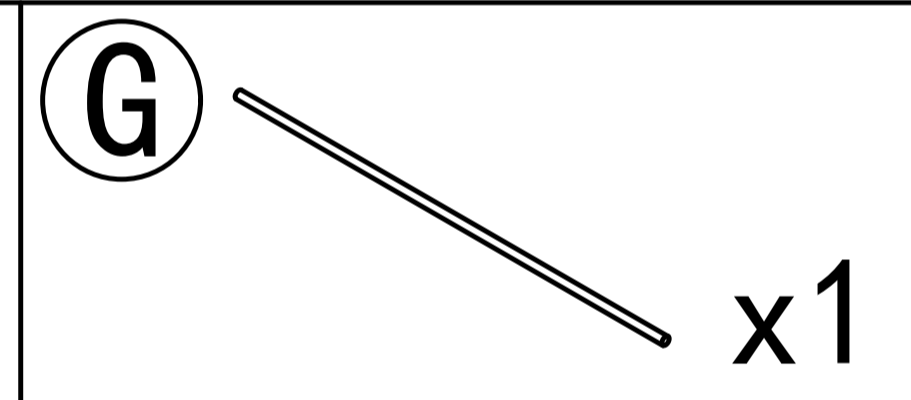
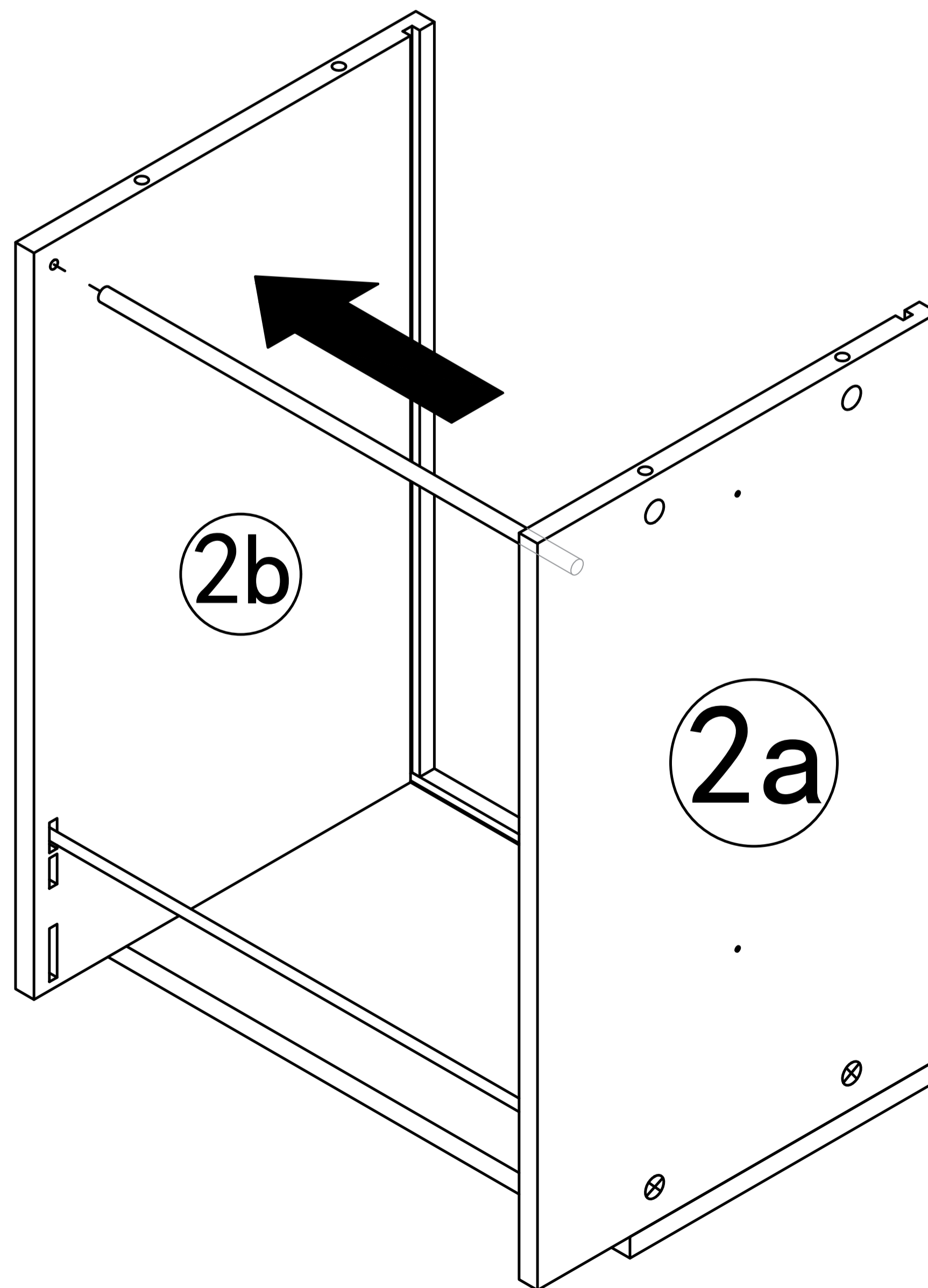


Note: the iron wire can be adjusted according to the size of the folder.

Try the size of the folder first, and then decide which slot to put the iron wire in.

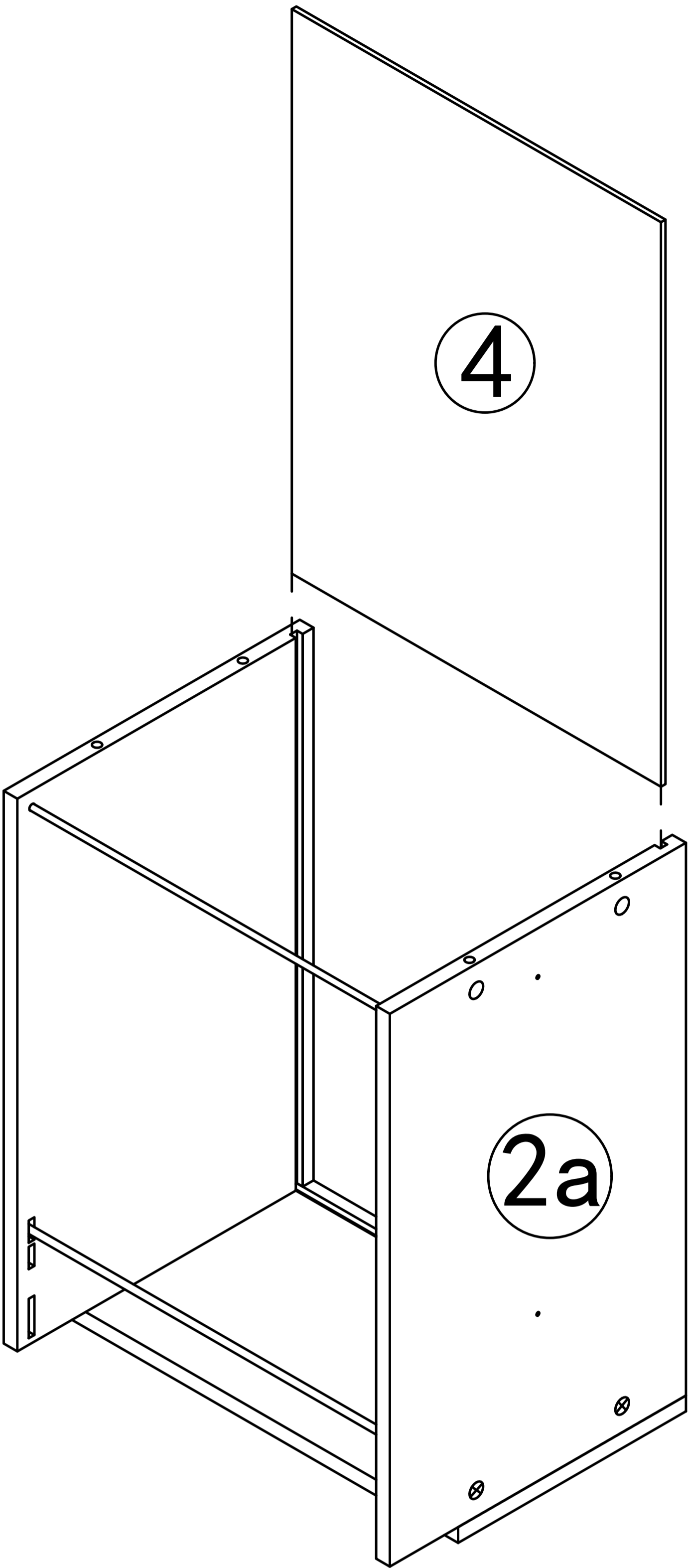
Note: Plate 2a should be tilted a little to align with the combination of iron wire and plate 2b.

Step 12

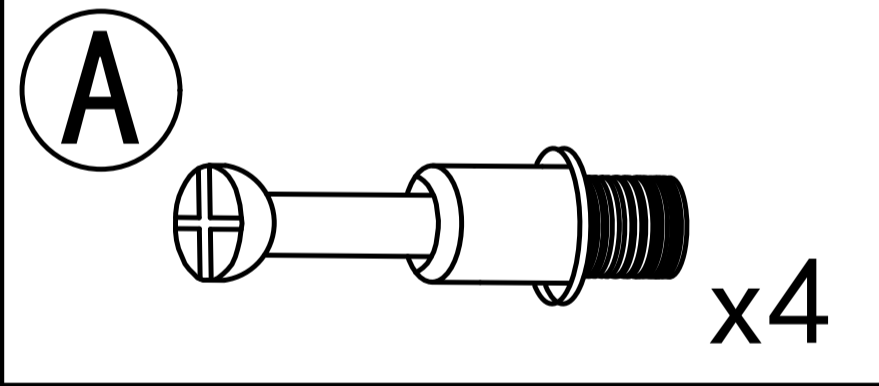
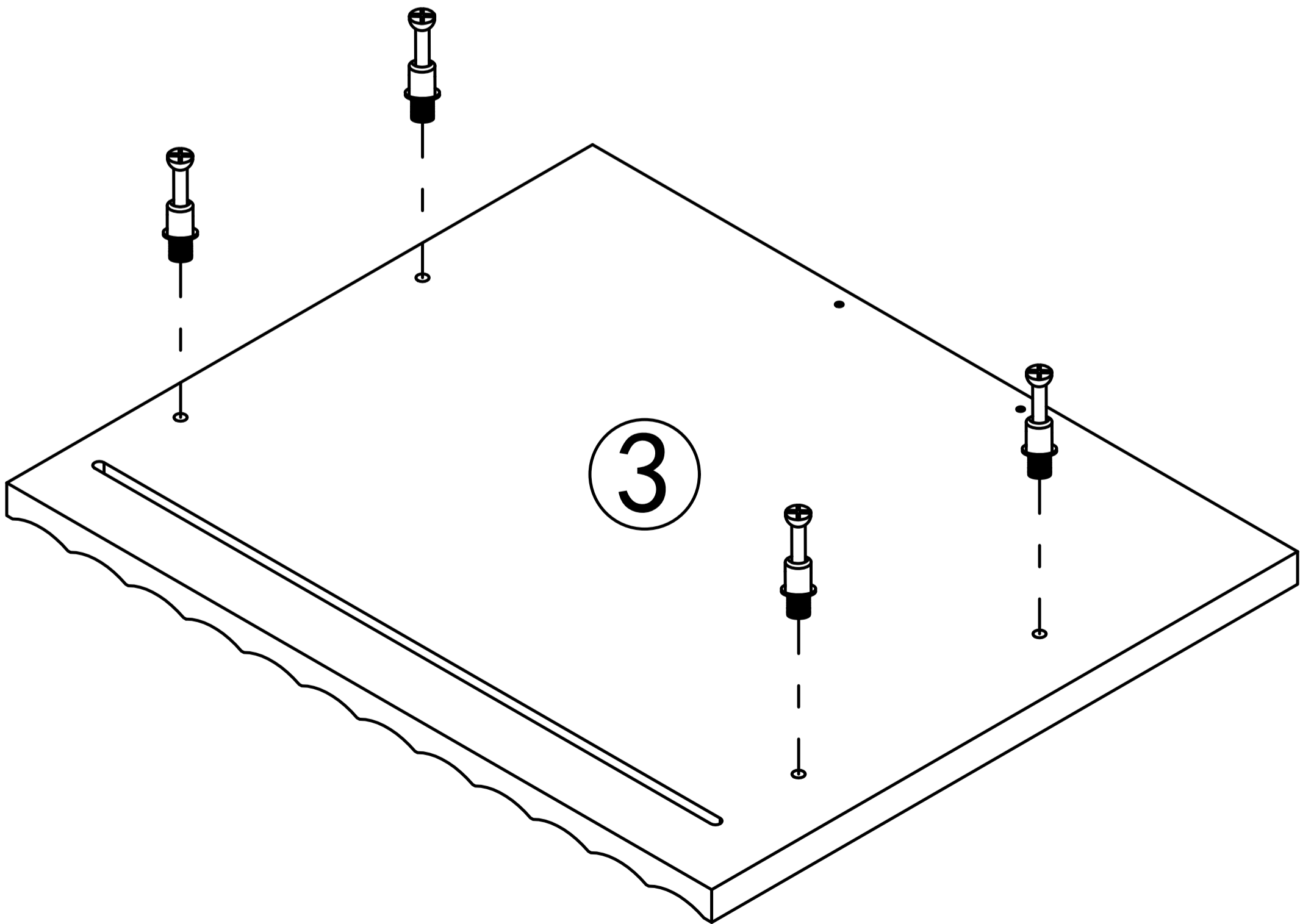


Note: You can bend component 2a outward slightly to facilitate iron wire threading into the hole.

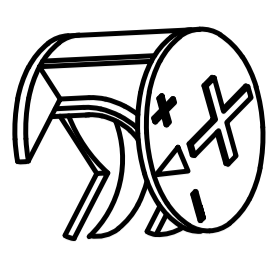
Step 13

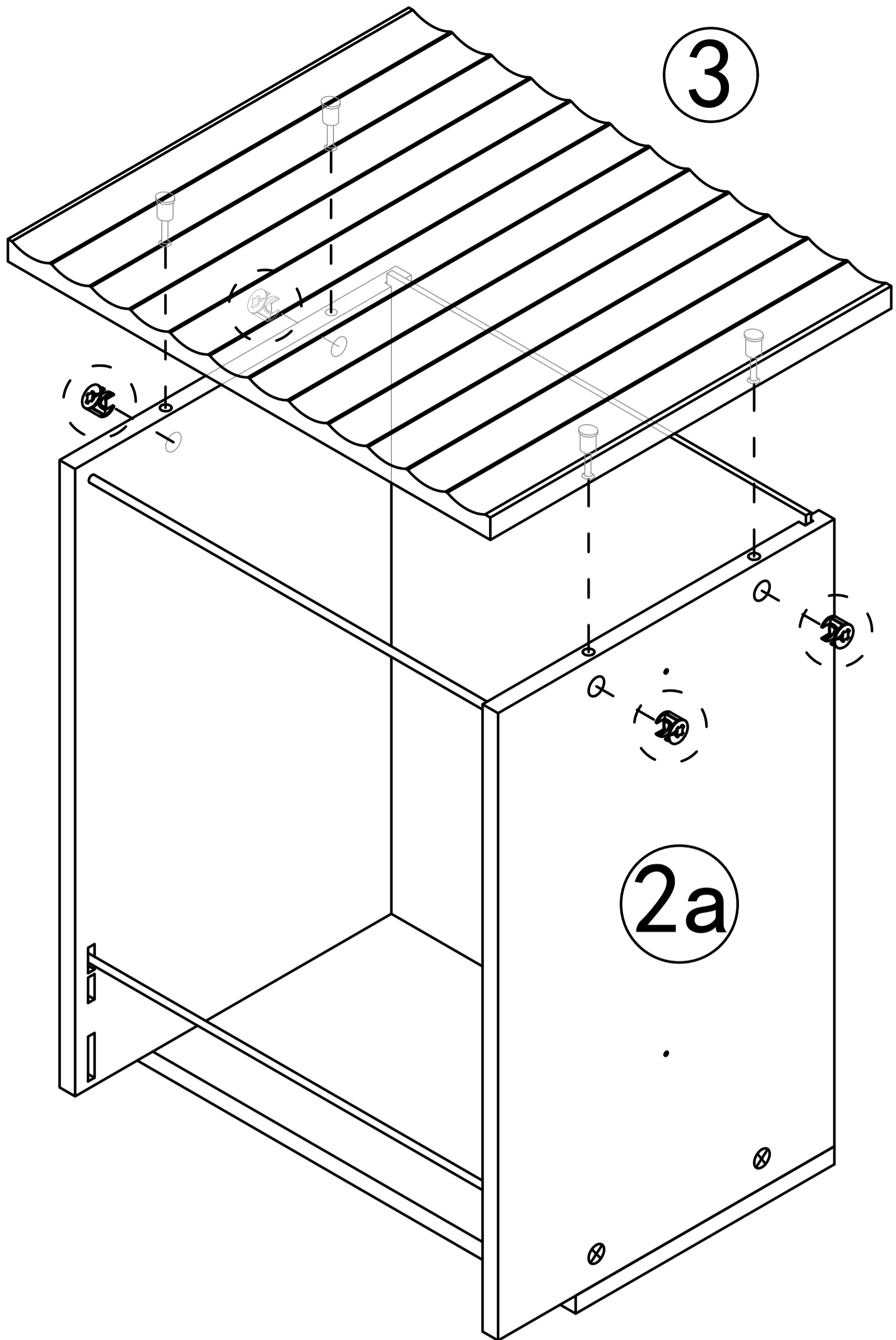


Step 14

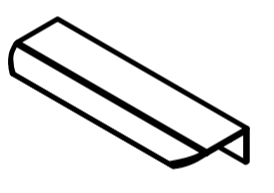



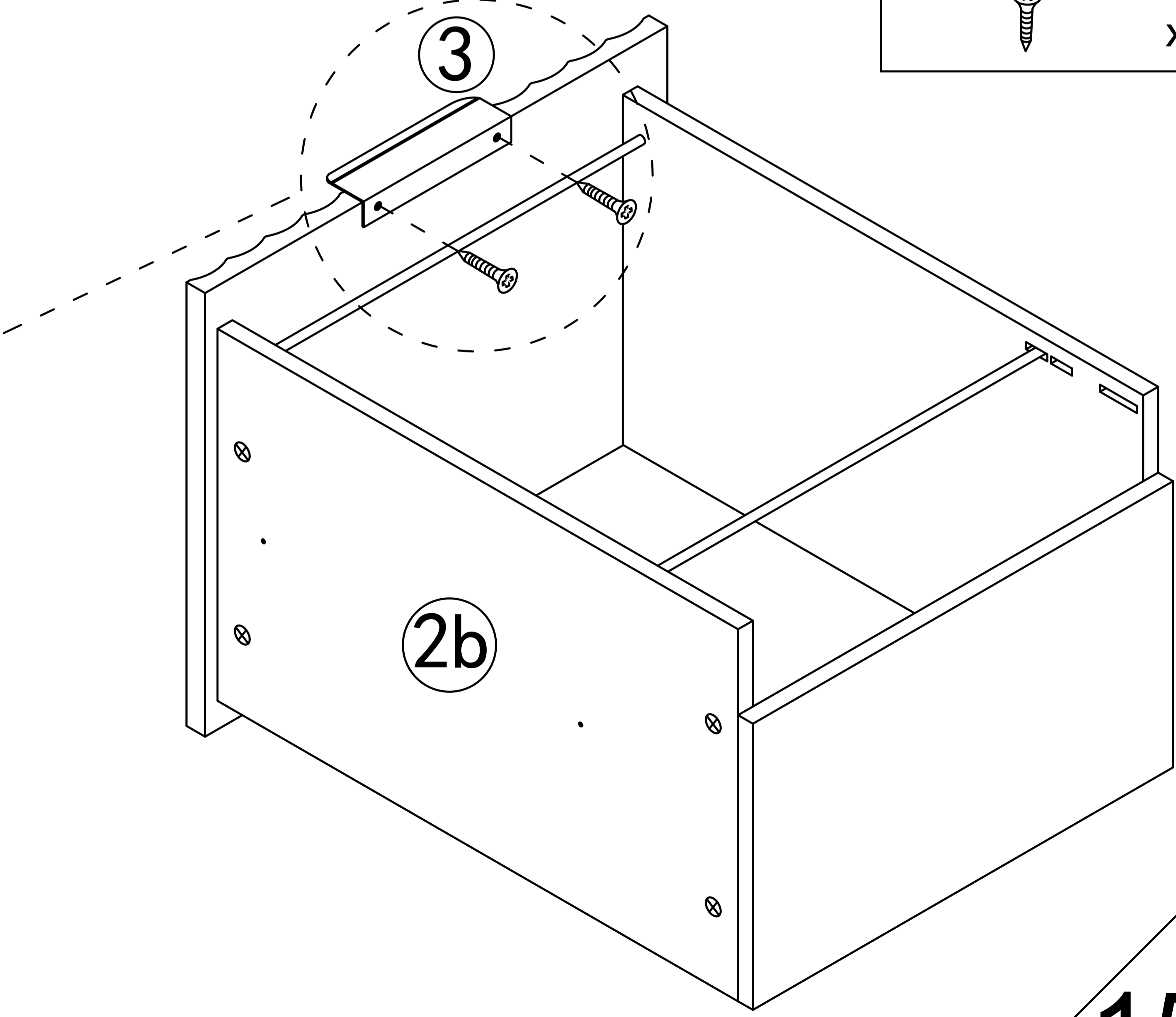
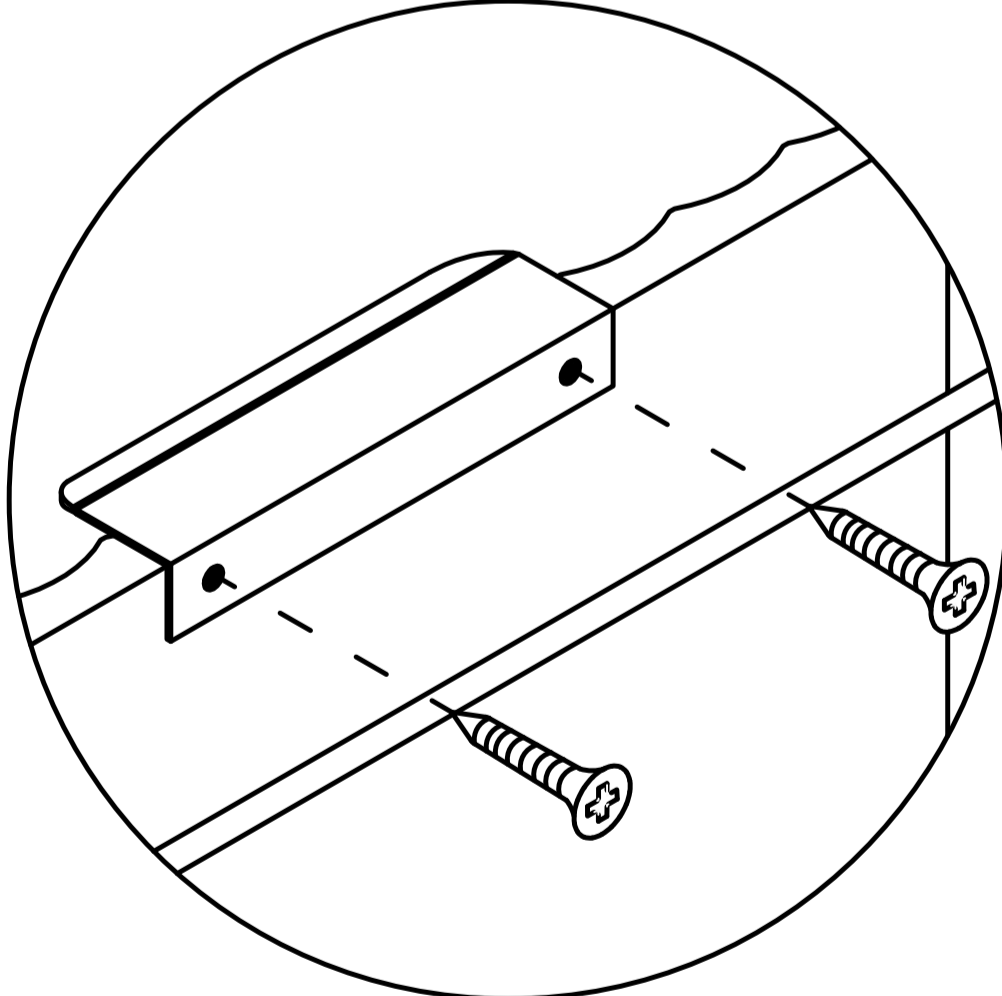
Step 15

**B**  x4

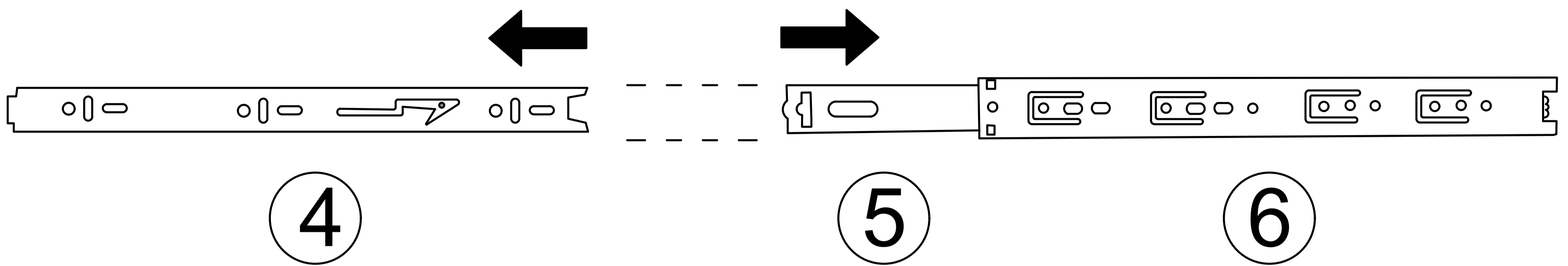


Step 16

**D**  x1  
 x2

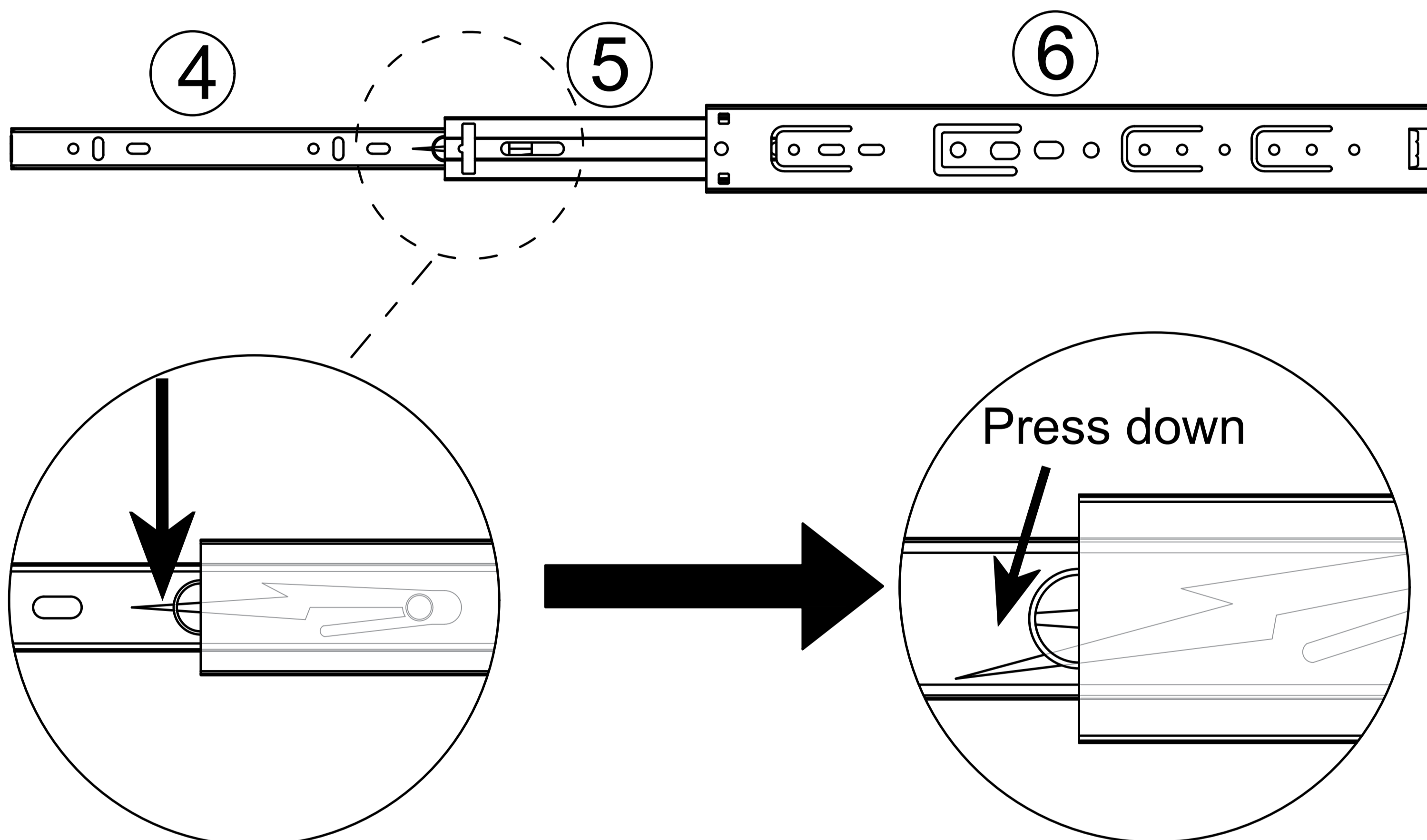


Drawer rail breakdown diagram



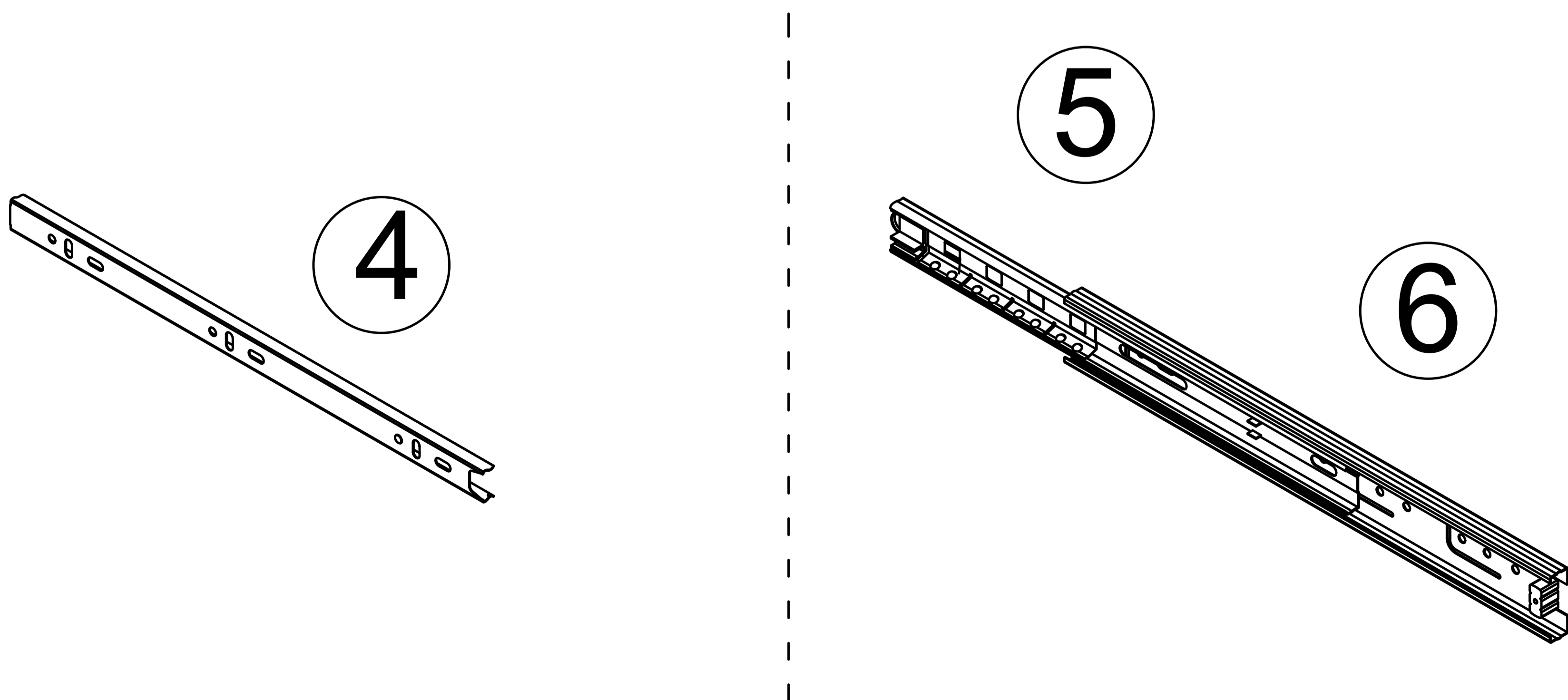
① Dismantle the schematic diagram

Step 1 : Pull the rails apart

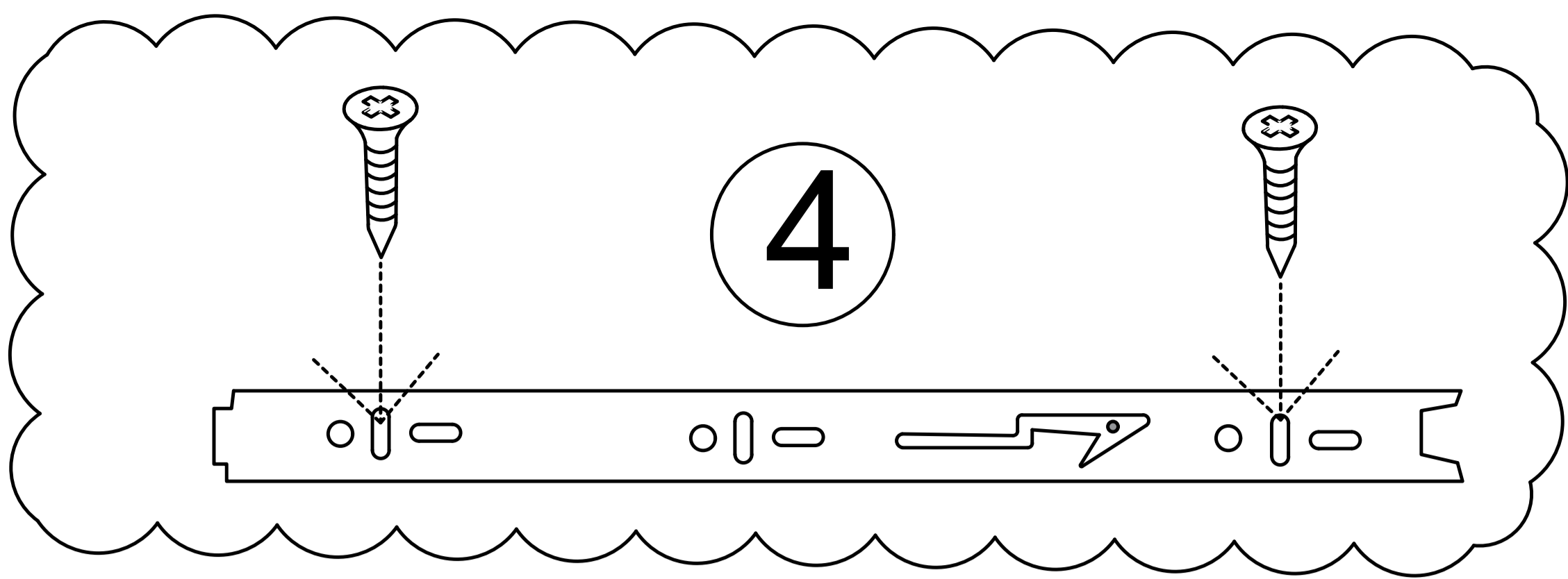



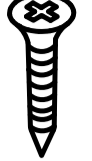
Step 2 : Press the nylon button and pull out ④.

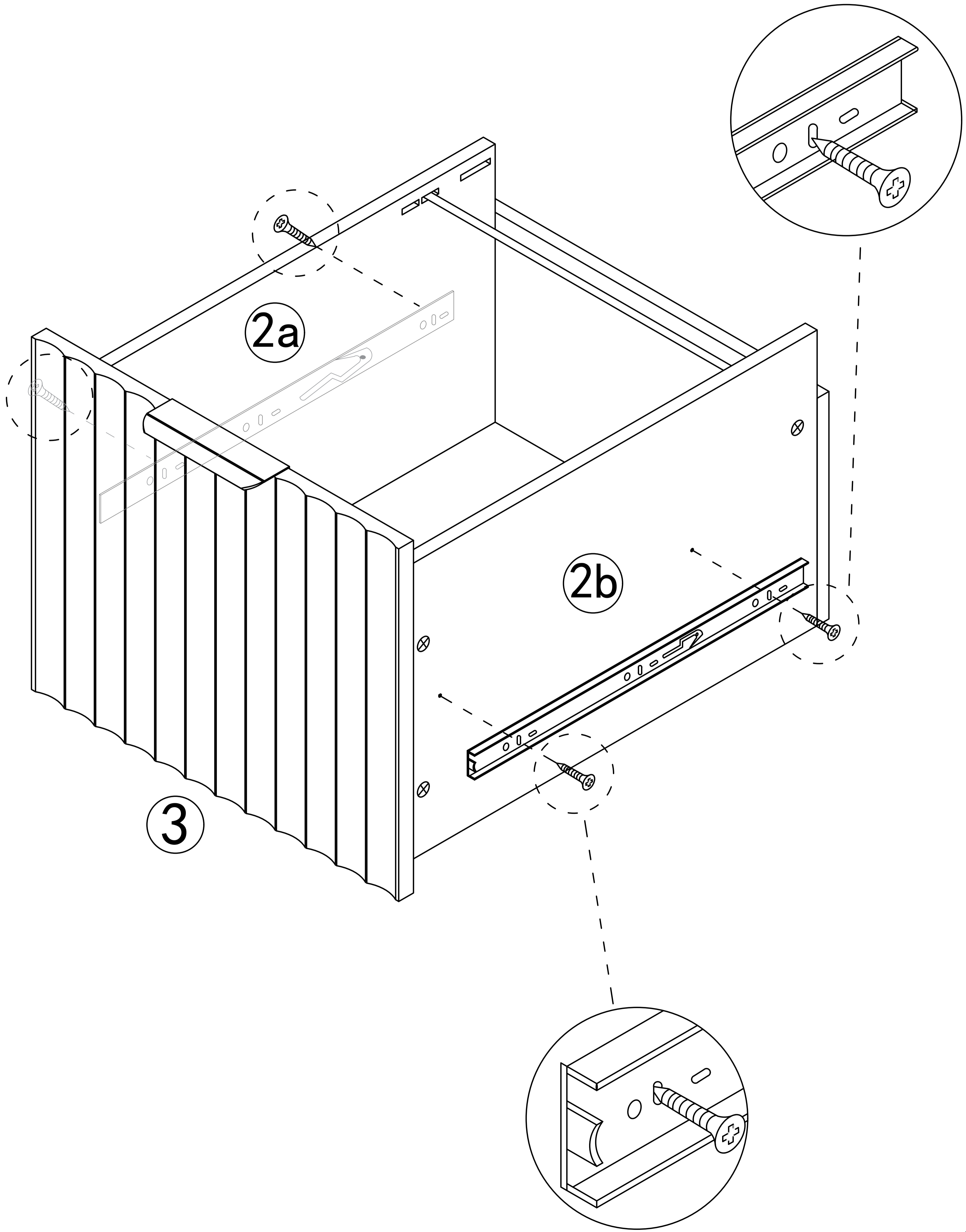
Drawer rail decomposition completed schematic diagram

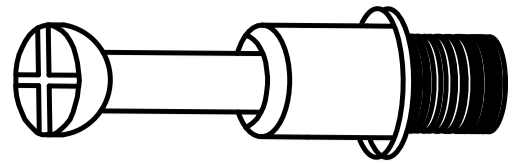
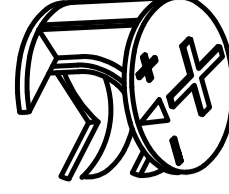
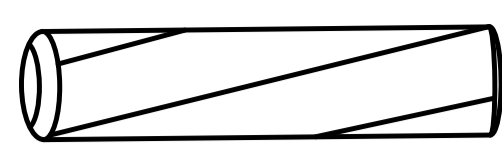
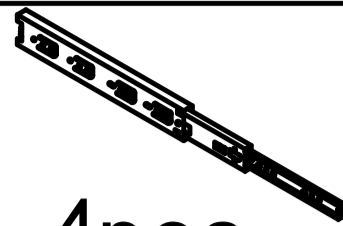
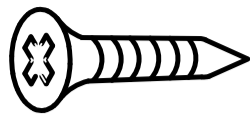

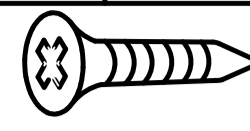

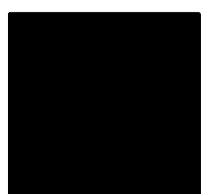
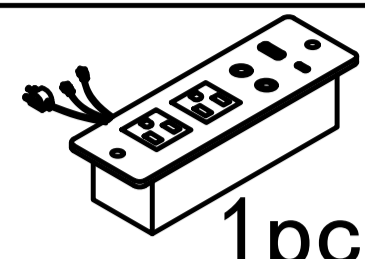
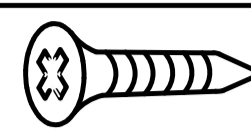


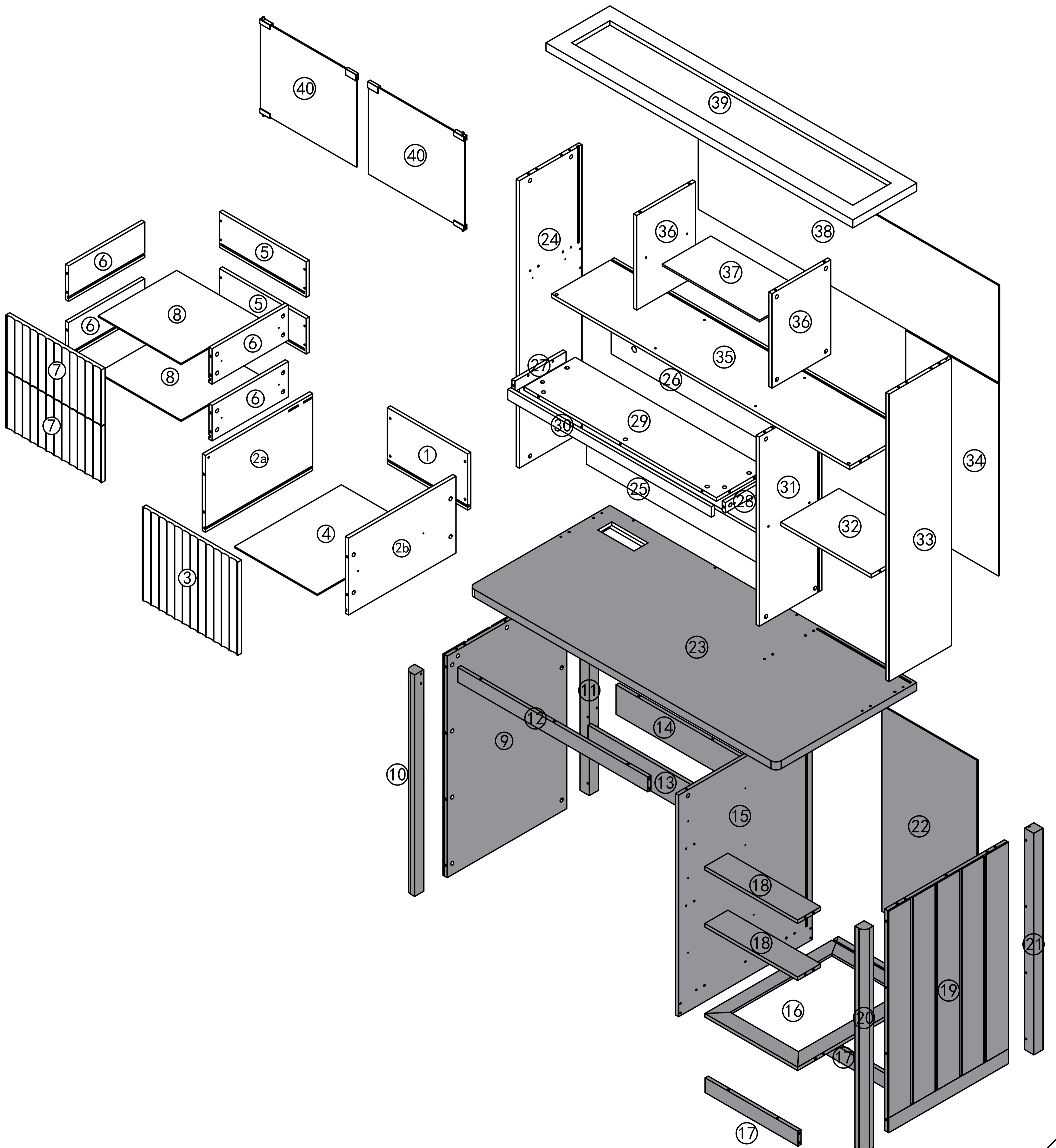
Step 17



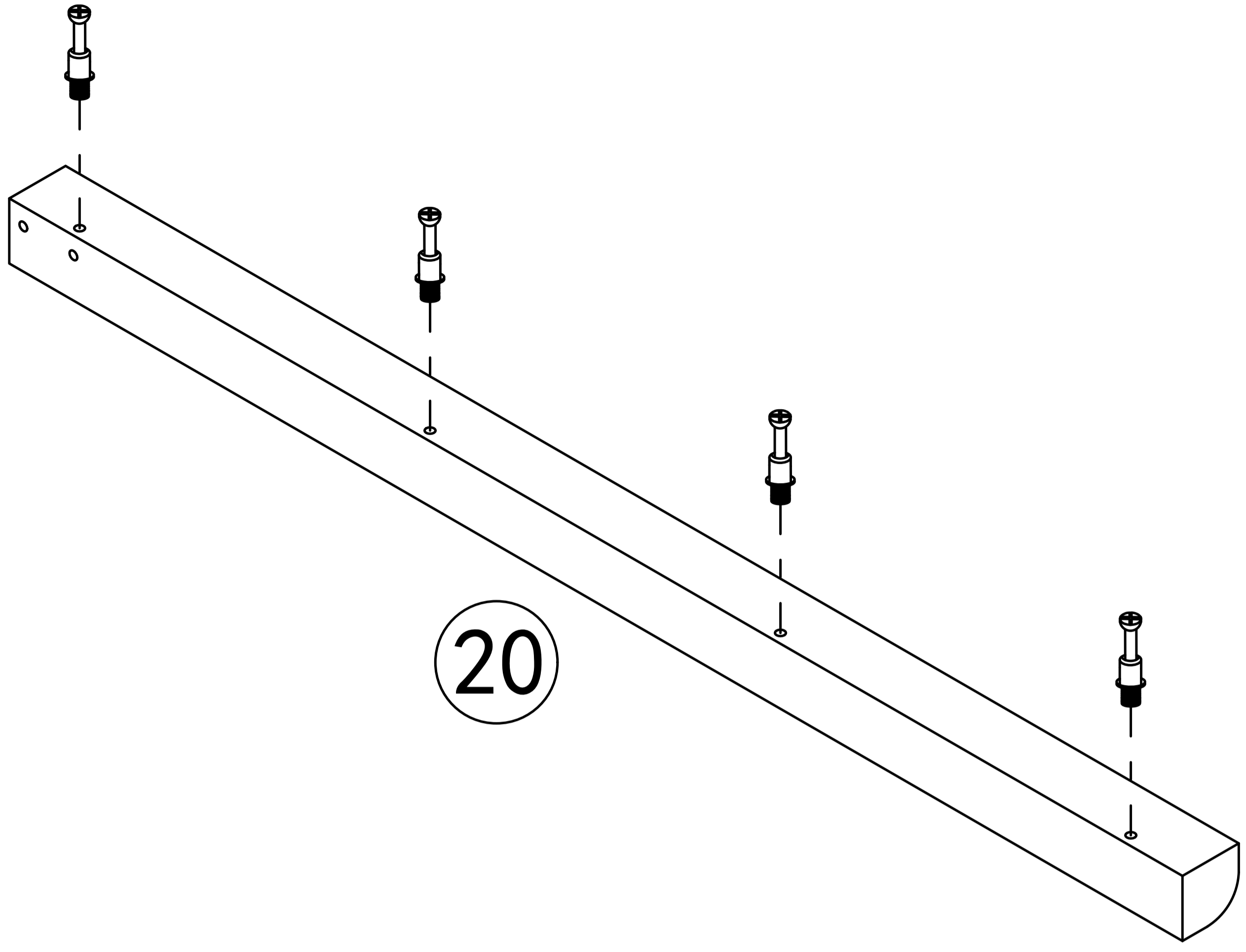
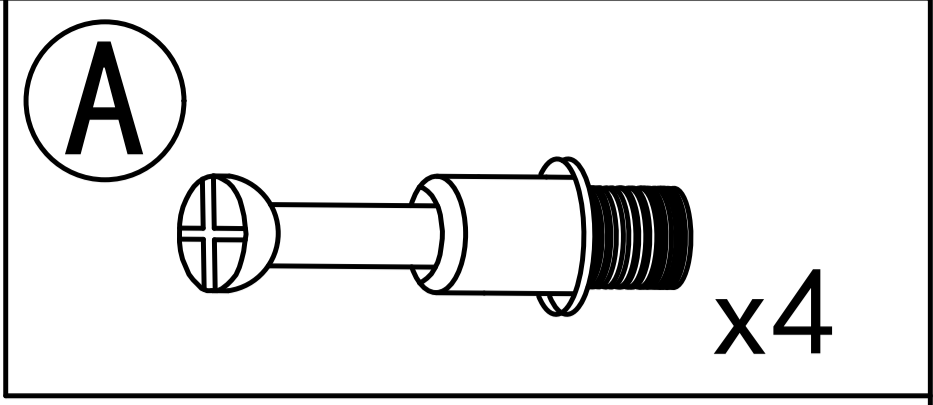
- F
-  x2
  -  x4



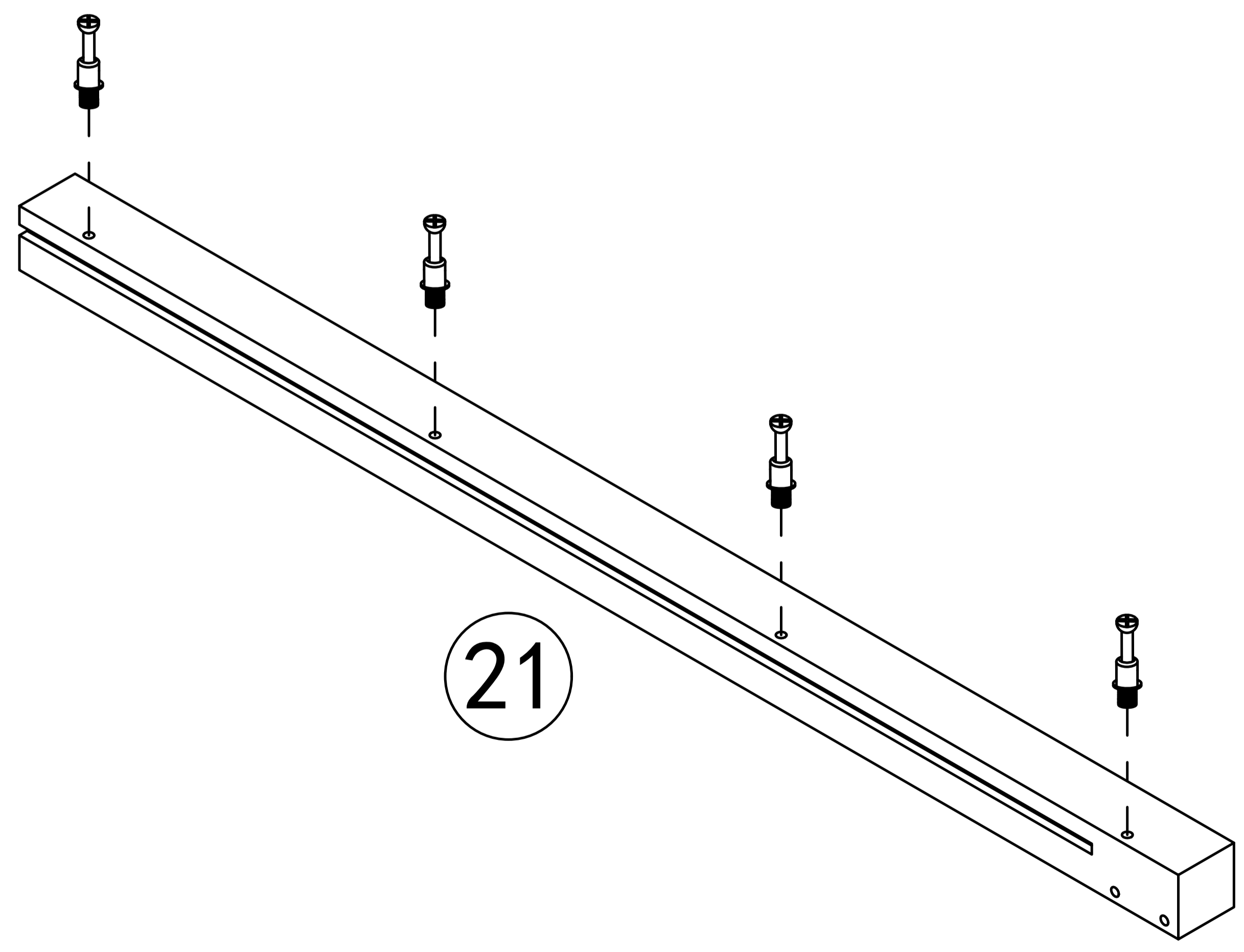
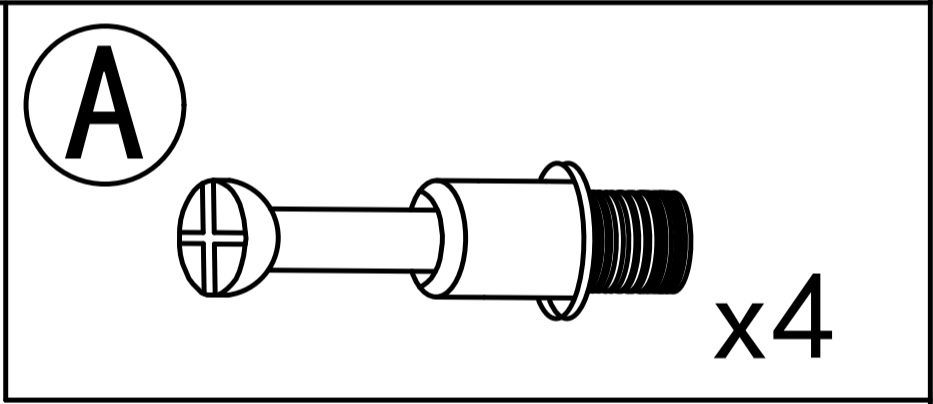
<b>A</b>		68pcs	<b>B</b>		68pcs	<b>C</b>		8pcs		
<b>E</b>		4pcs		12pcs	<b>F</b>		2pcs		6pcs	
<b>H</b>		5pcs	<b>I</b>		4pcs	<b>Q</b>		1pcs		2pcs



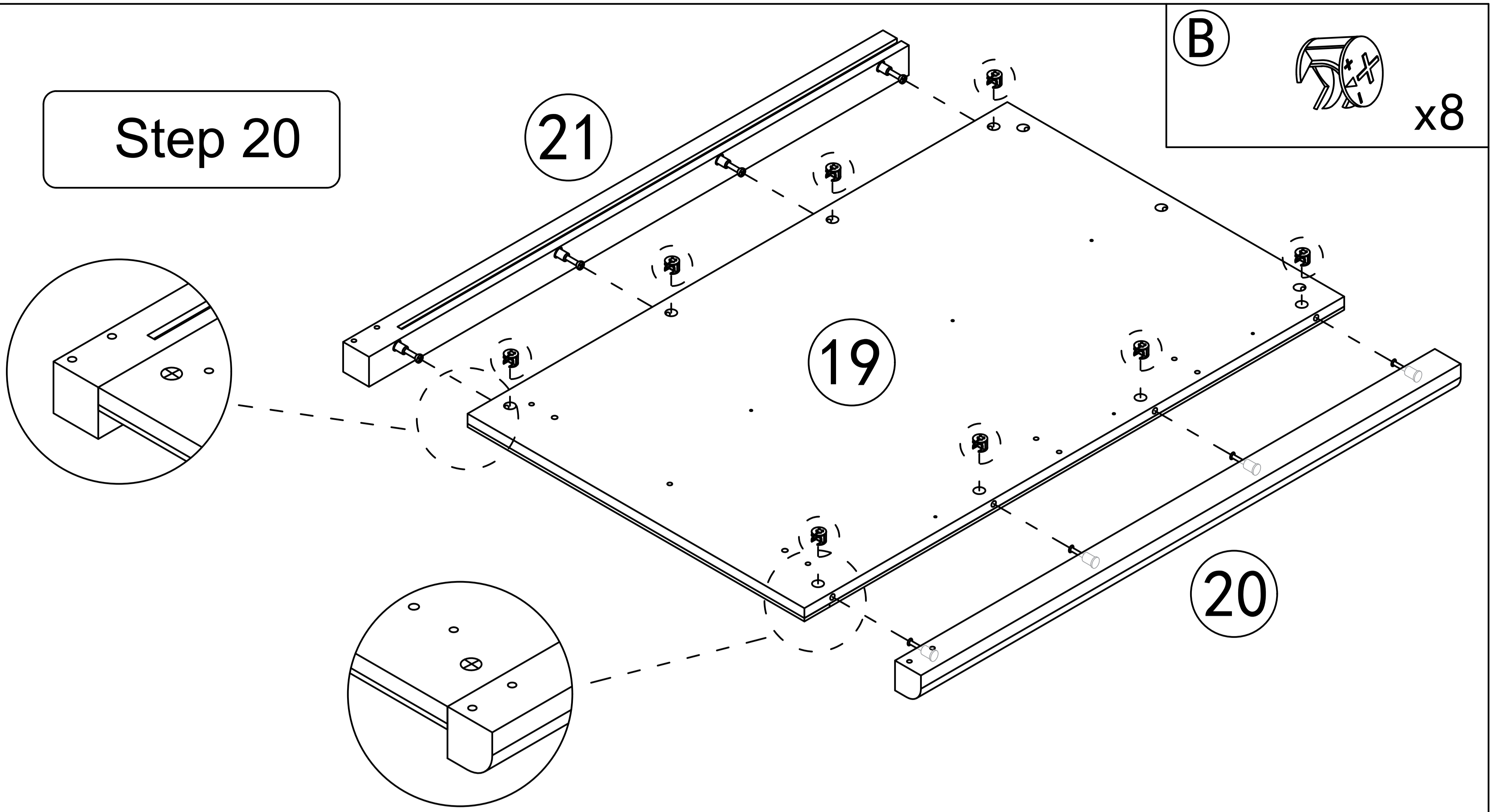
Step 18



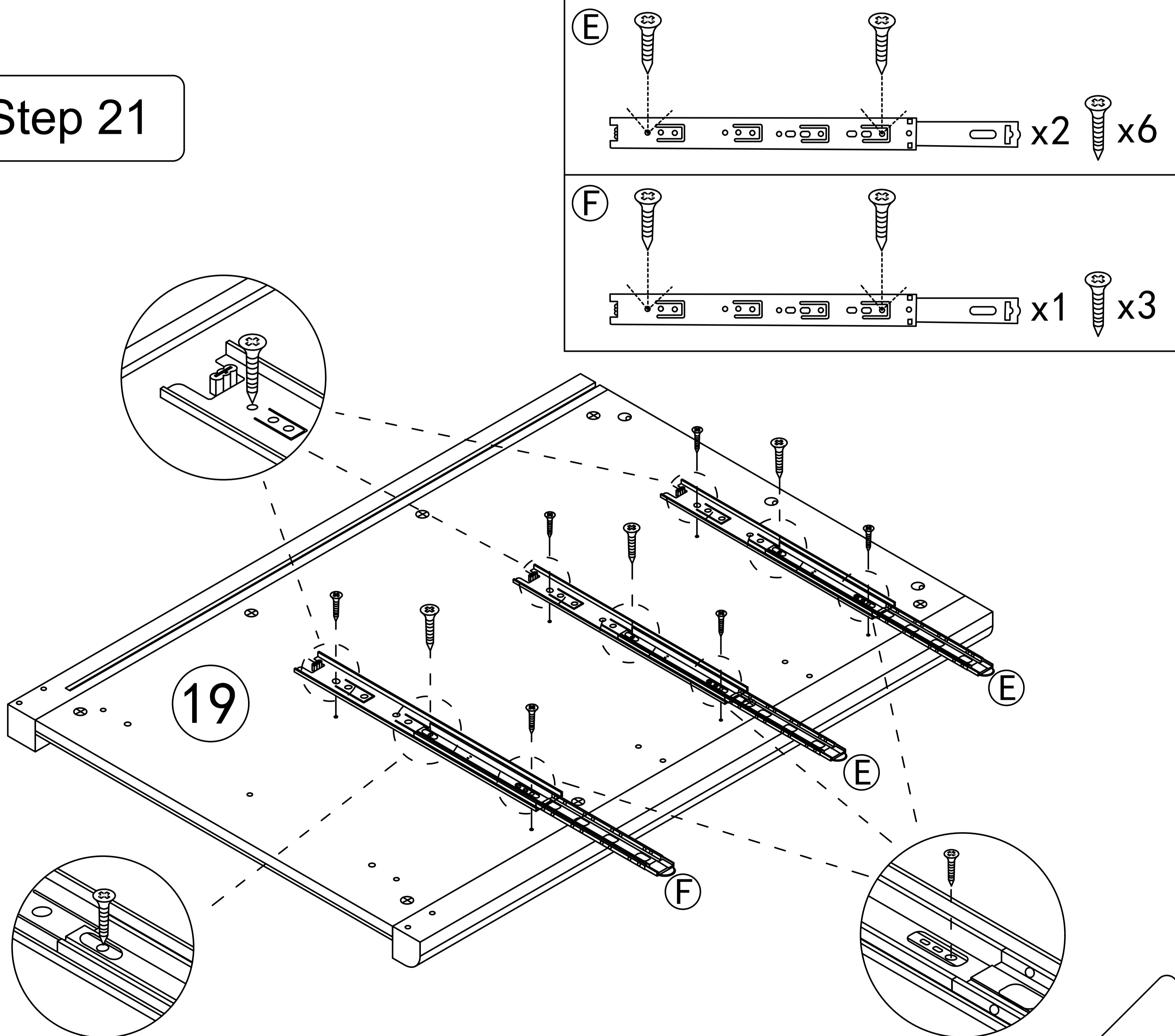
Step 19



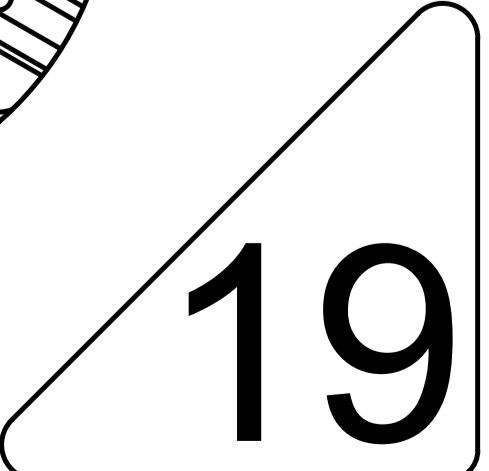
# Step 20



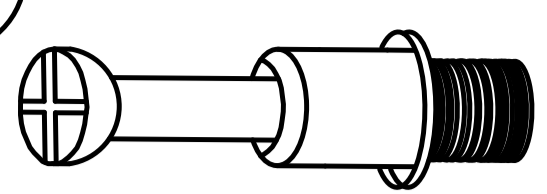
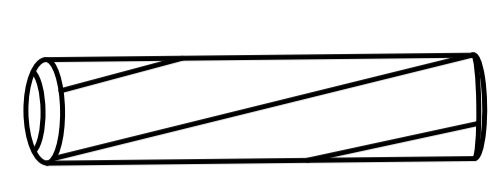
# Step 21

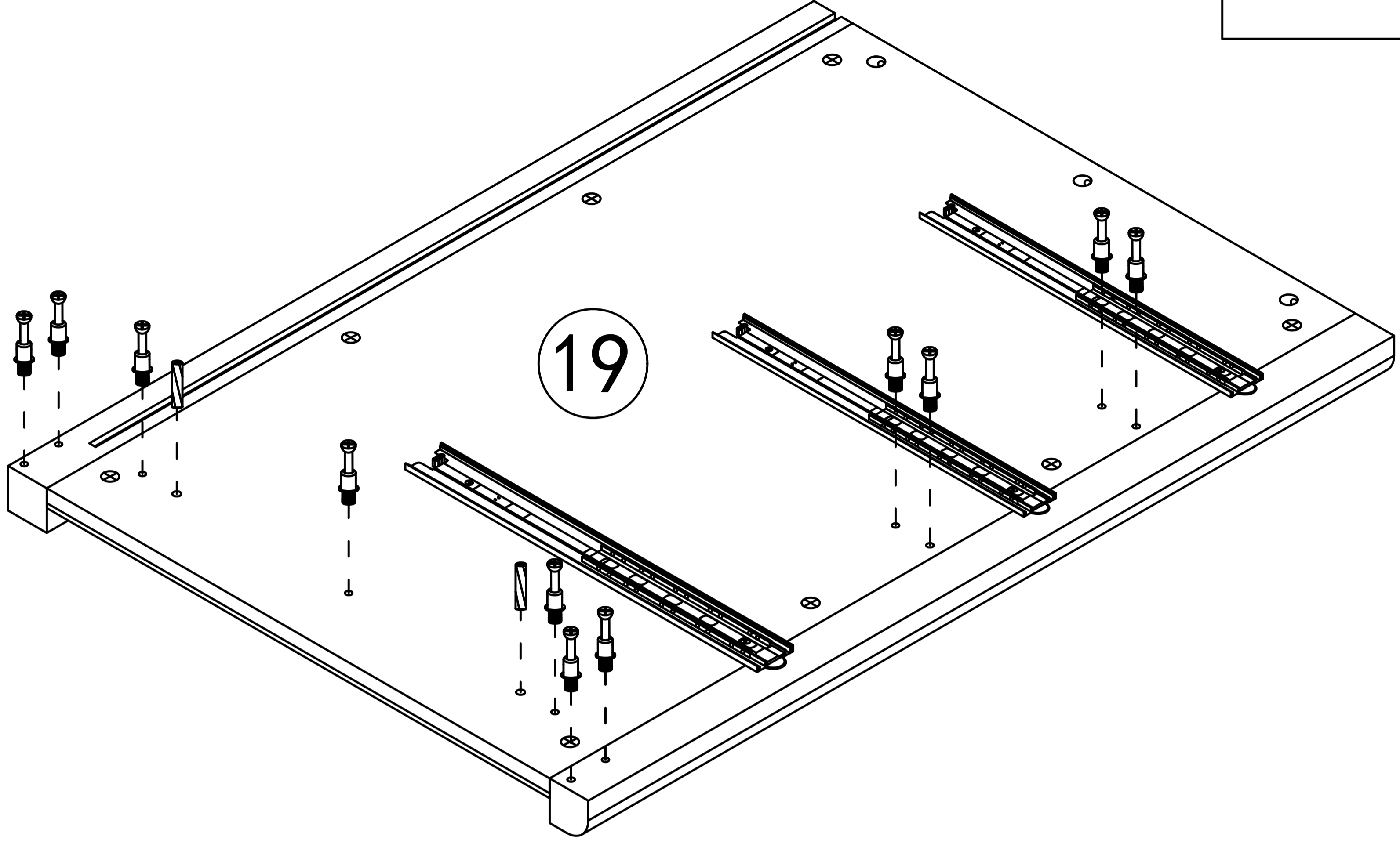


This hole is for strengthening fixed hole customers can choose to install according to their needs.

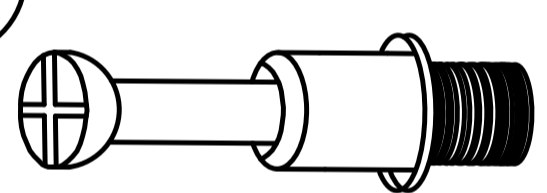


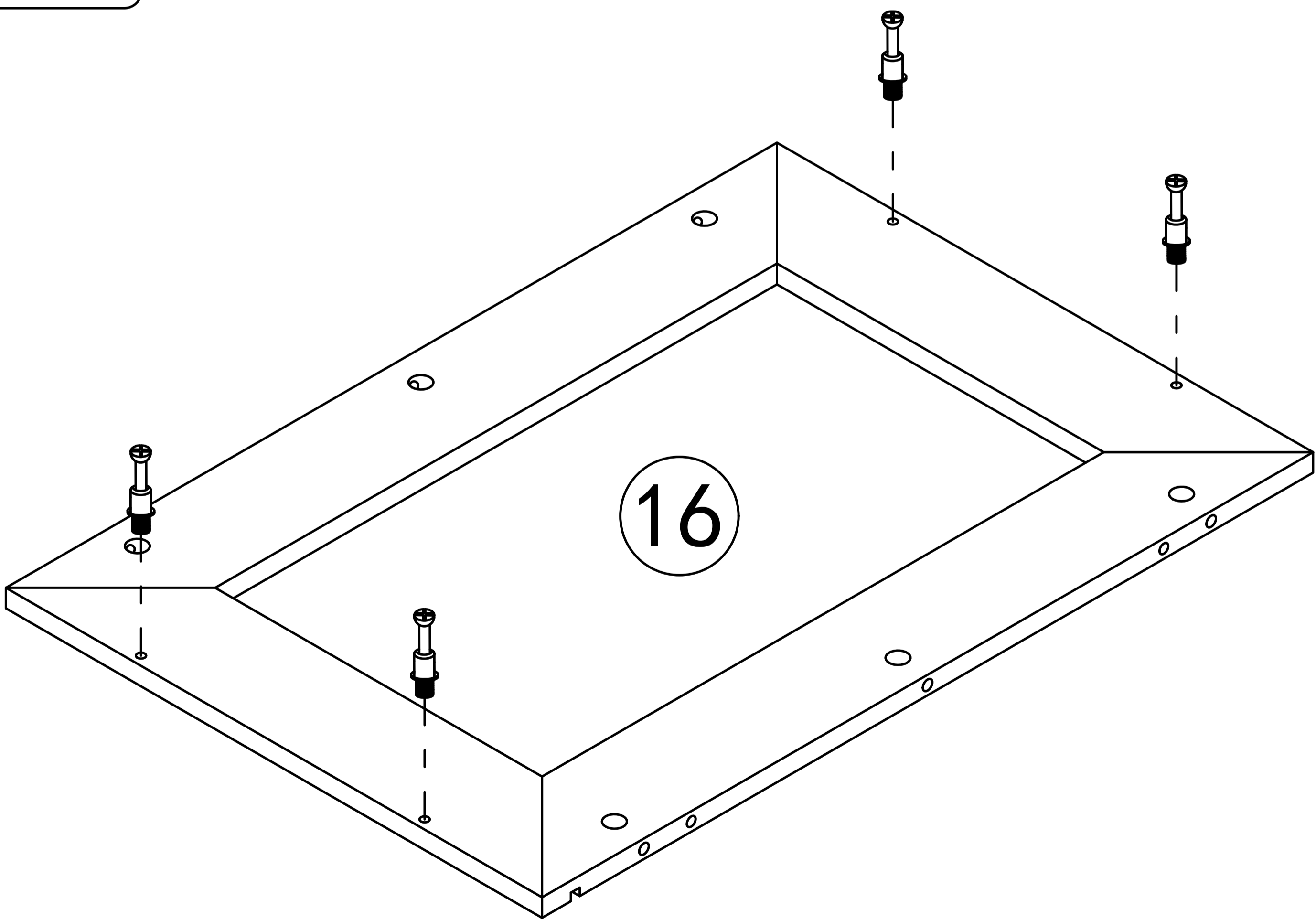
Step 22

- A  x11
- C  x2

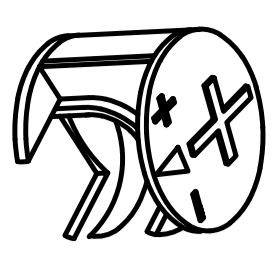


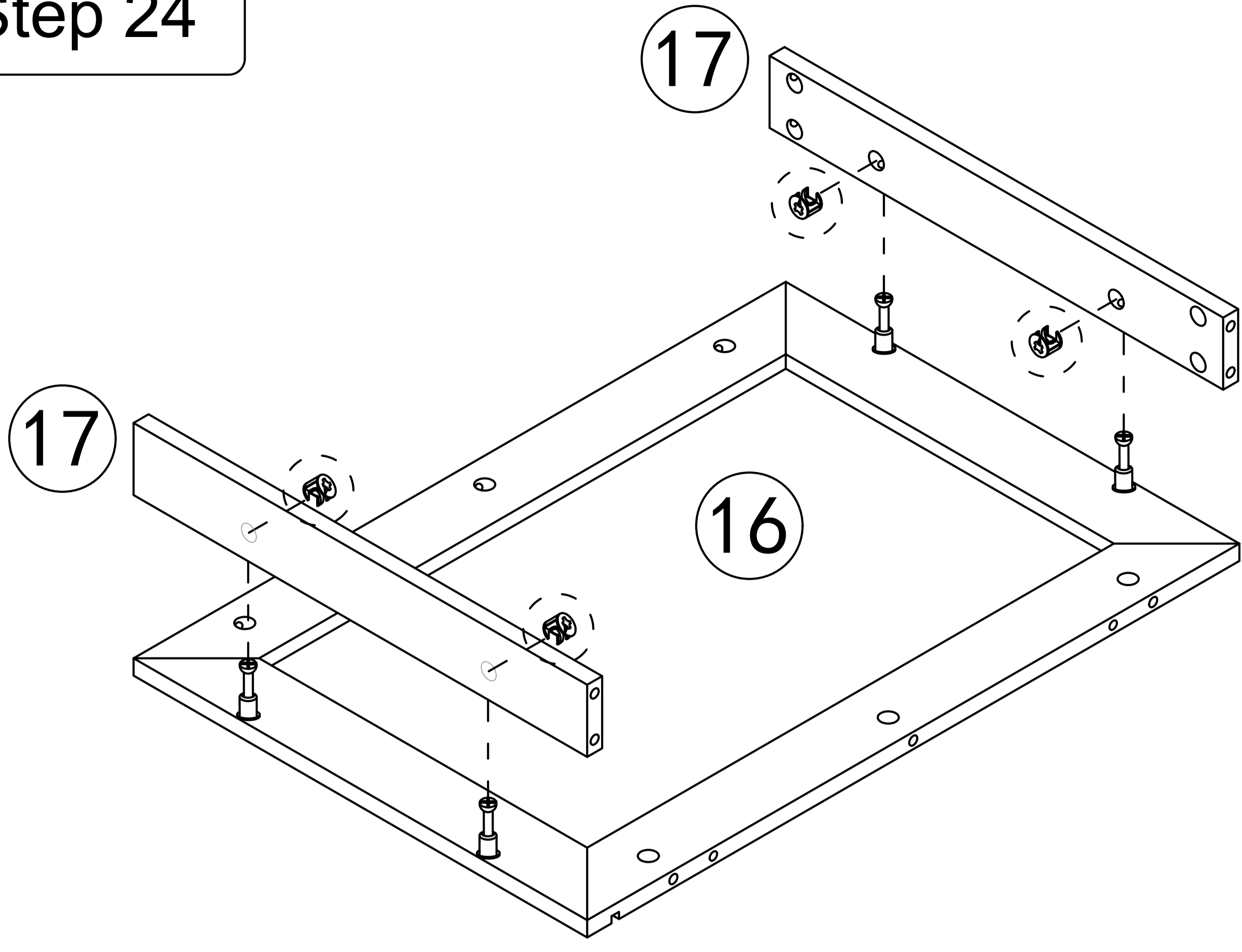
Step 23

- A  x4

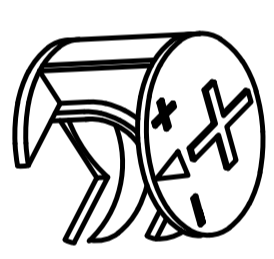


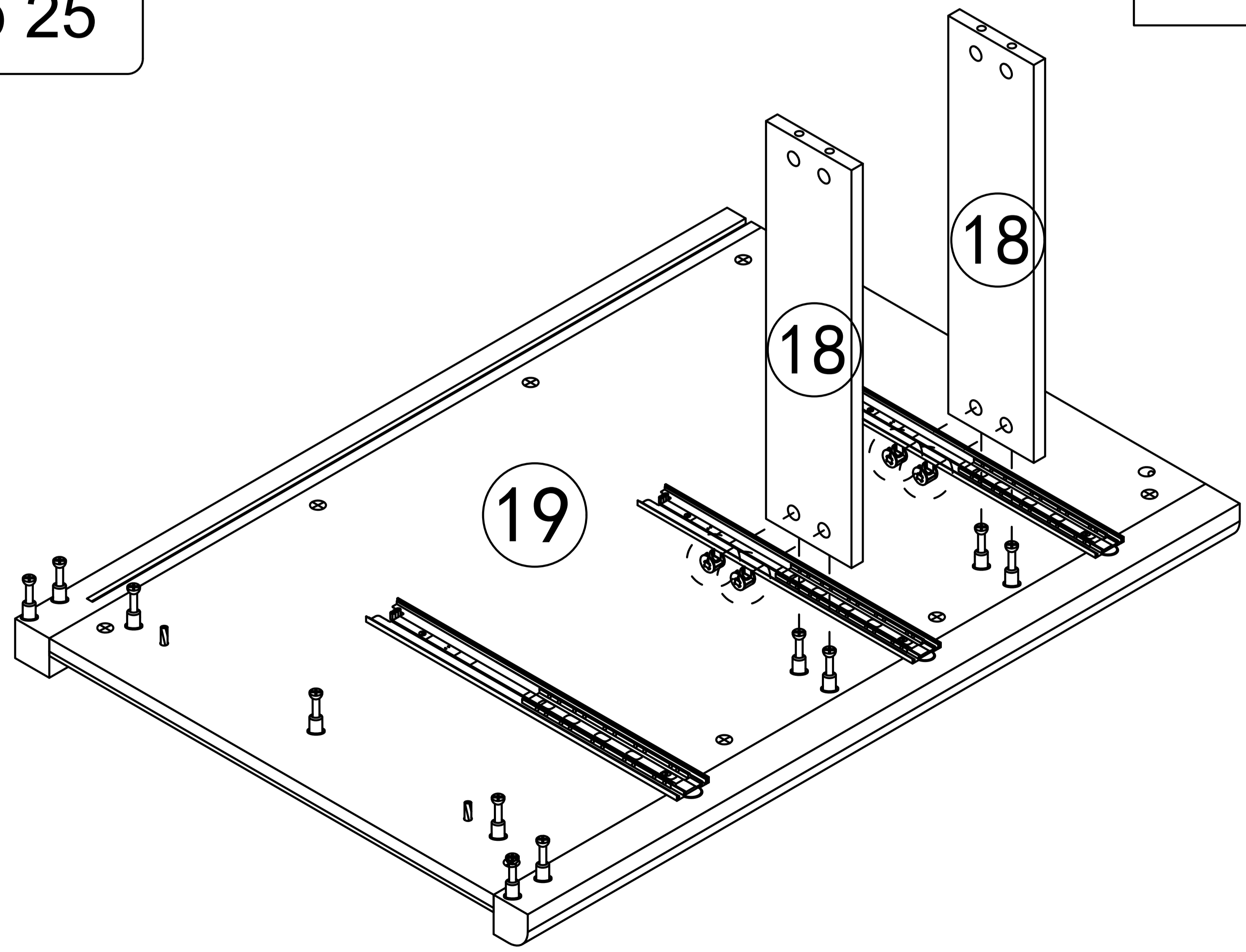
Step 24

(B)  x4

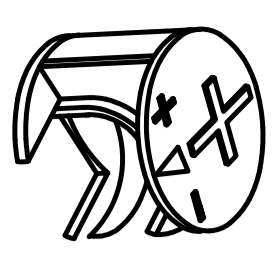



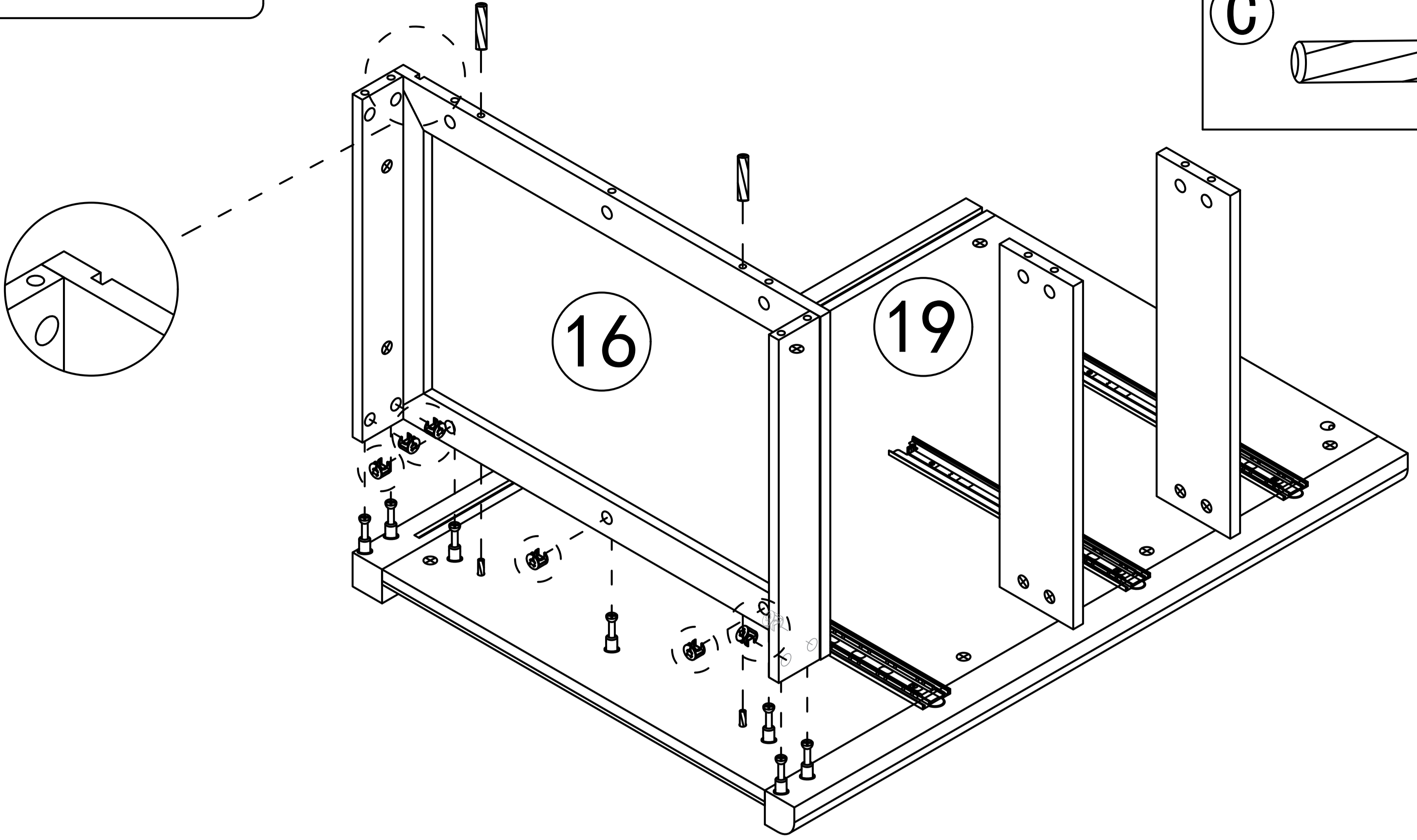
Step 25

(B)  x4



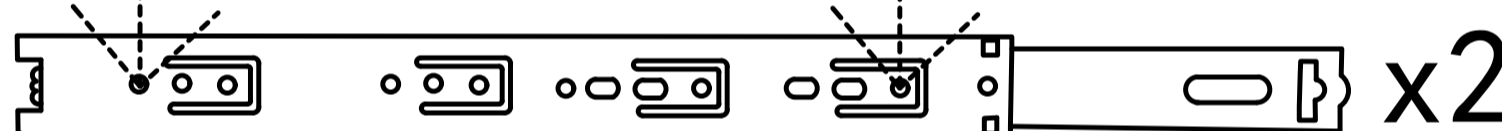







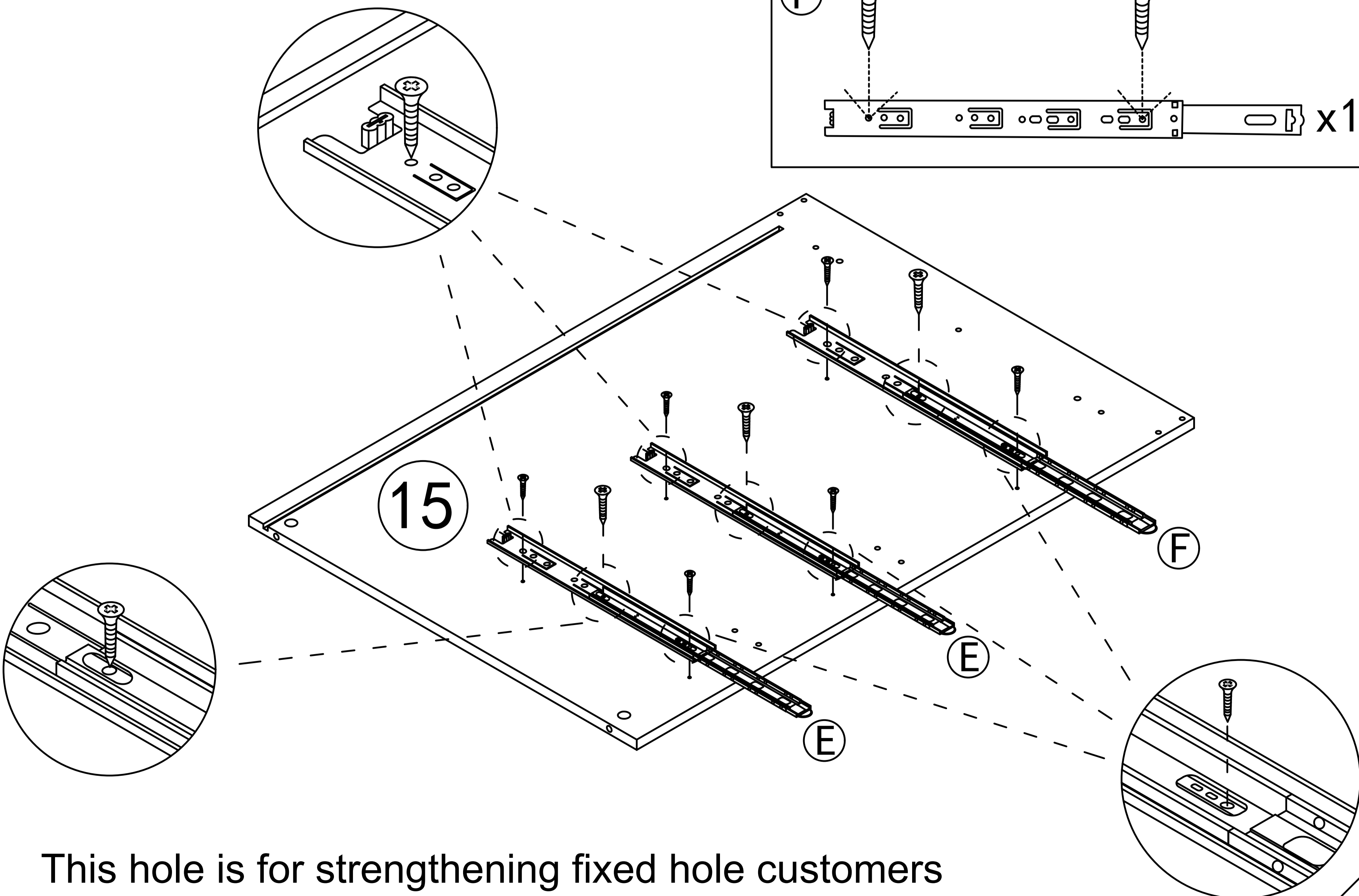
# Step 26

- B**  x7
- C**  x2



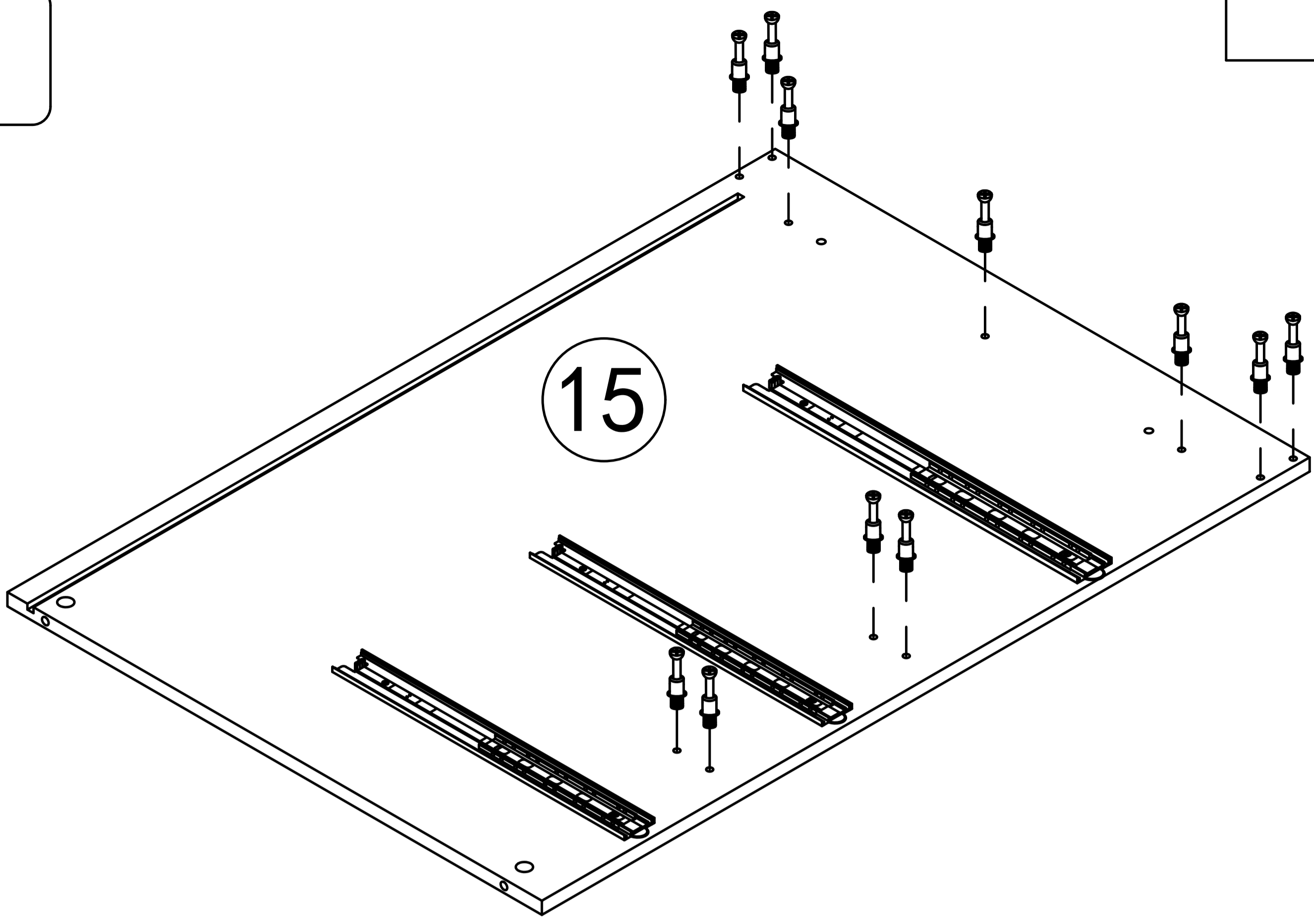
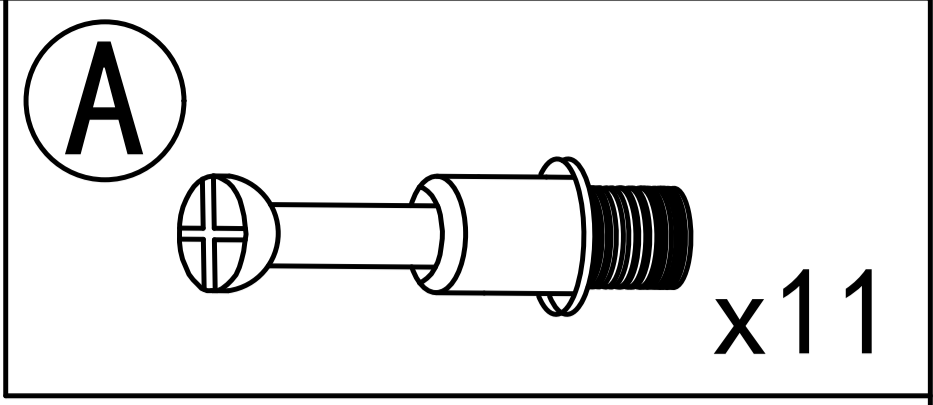
# Step 27

- E**    
 x2  x6
- F**    
 x1  x3

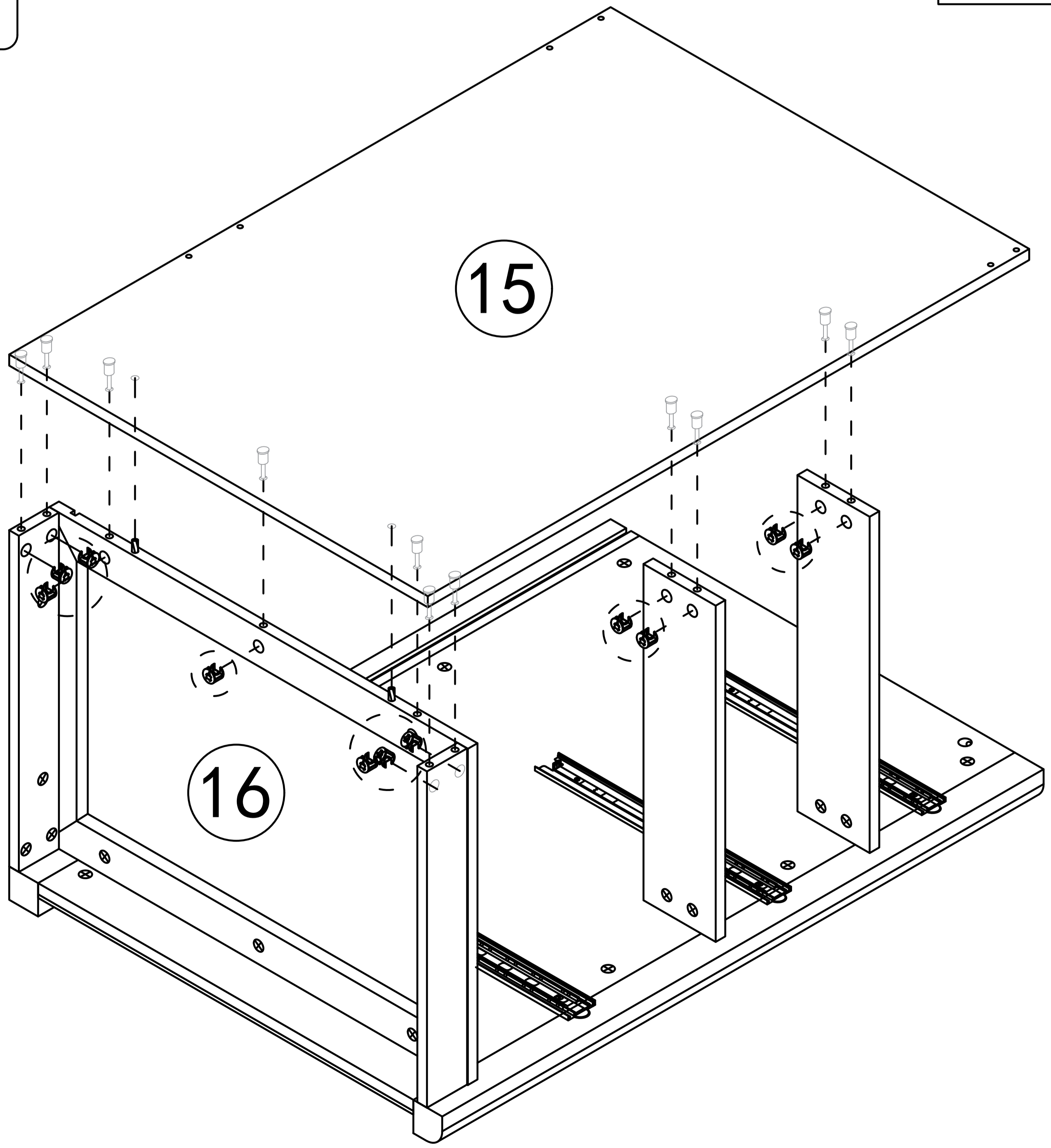
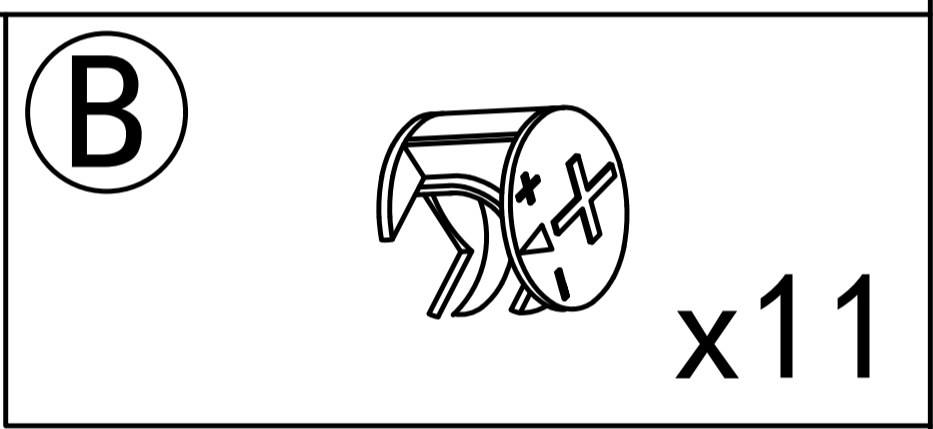


This hole is for strengthening fixed hole customers can choose to install according to their needs.

Step 28

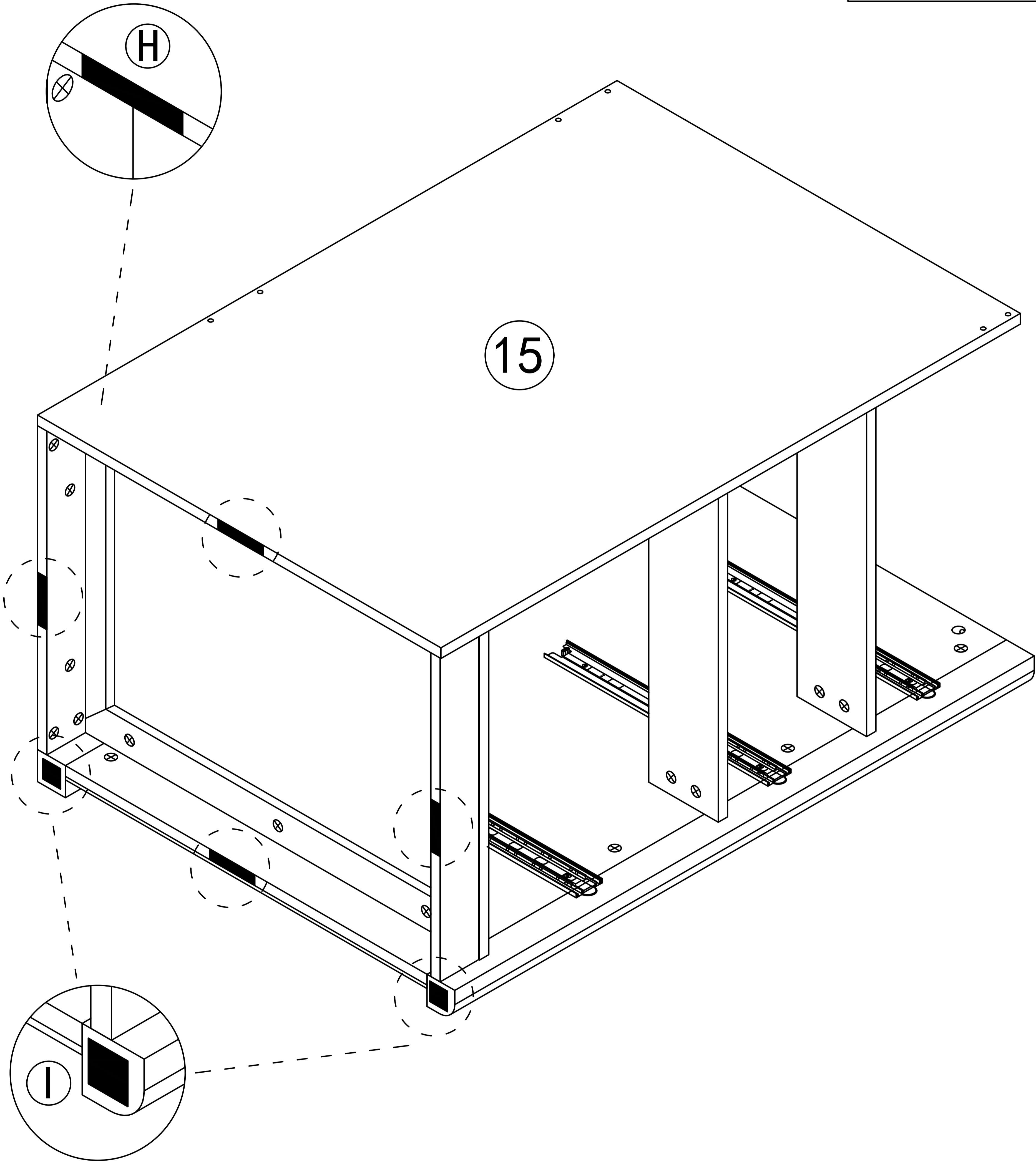


Step 29

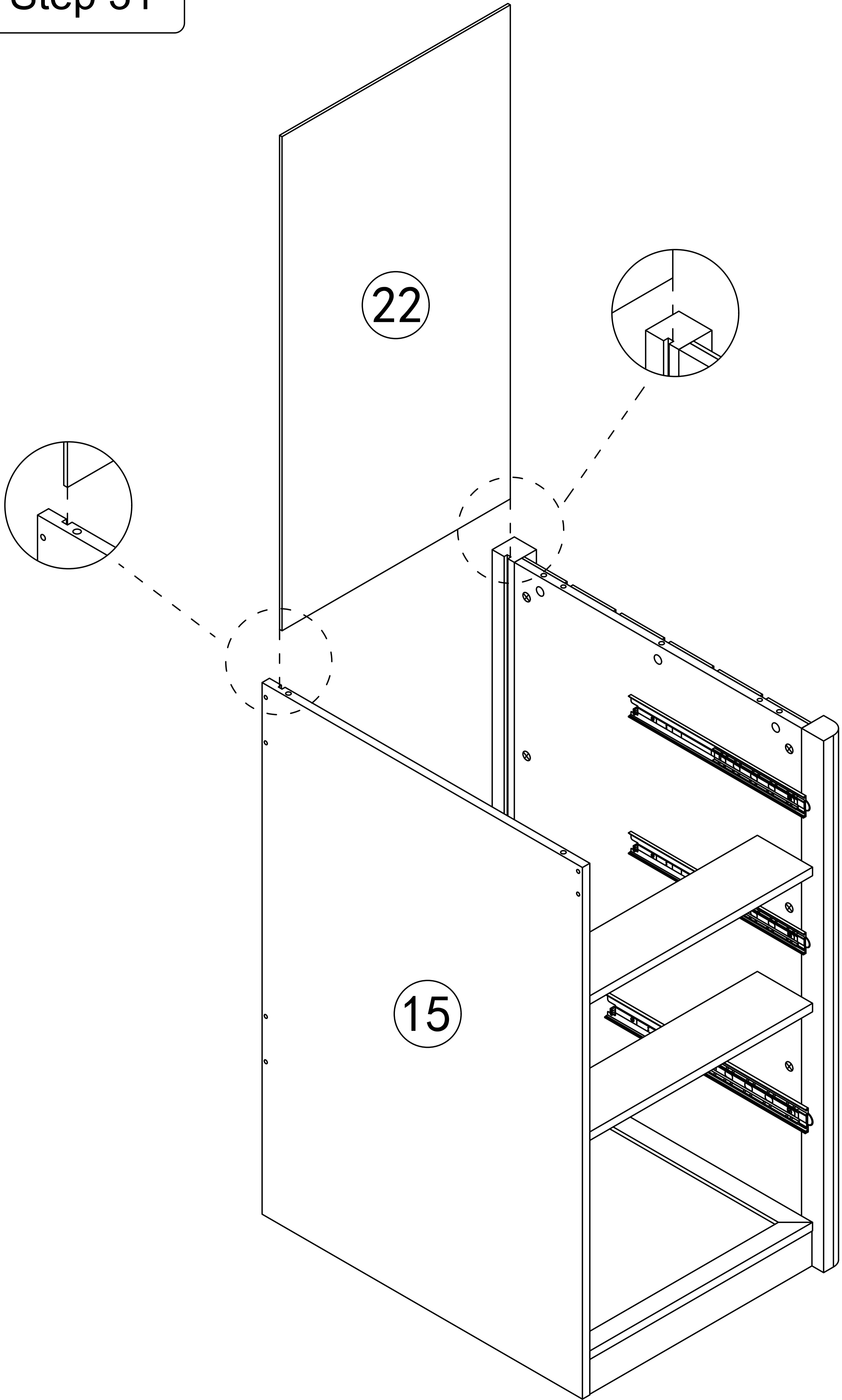


Step 30

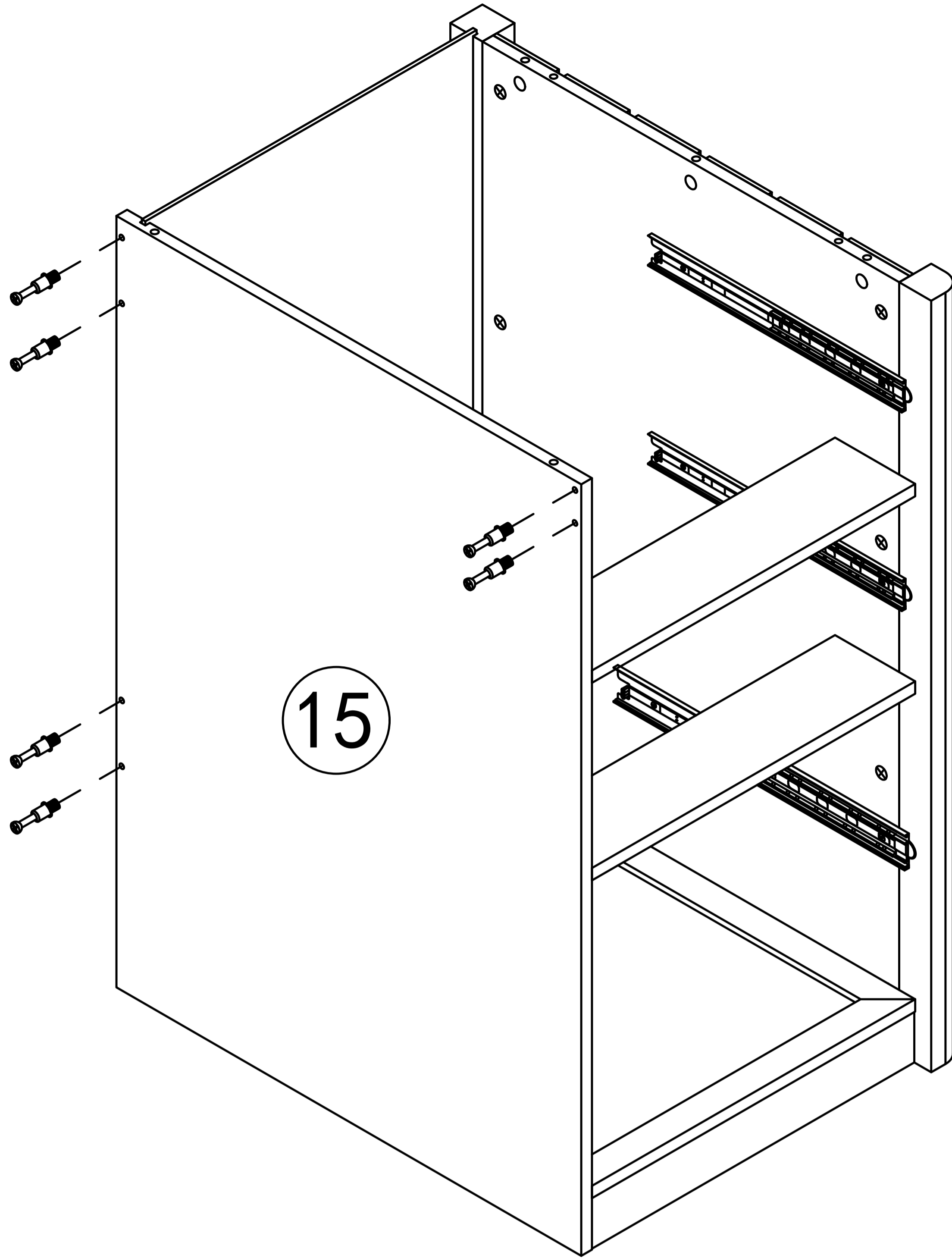
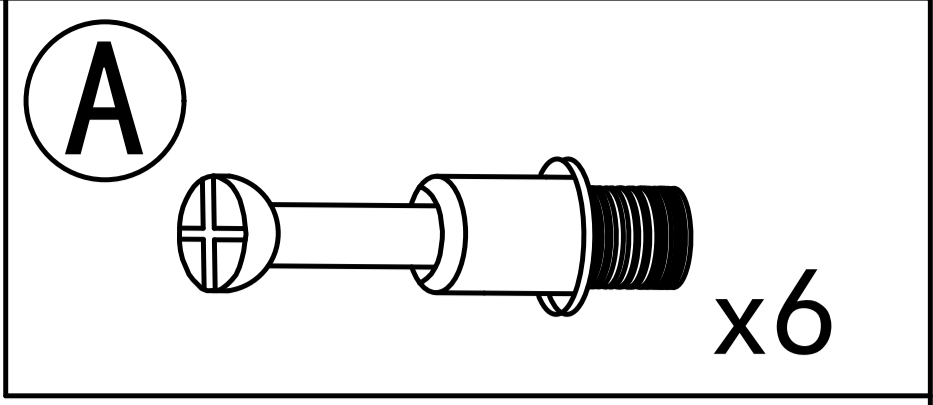
- (H) [rectangle] x4
- (I) [square] x2



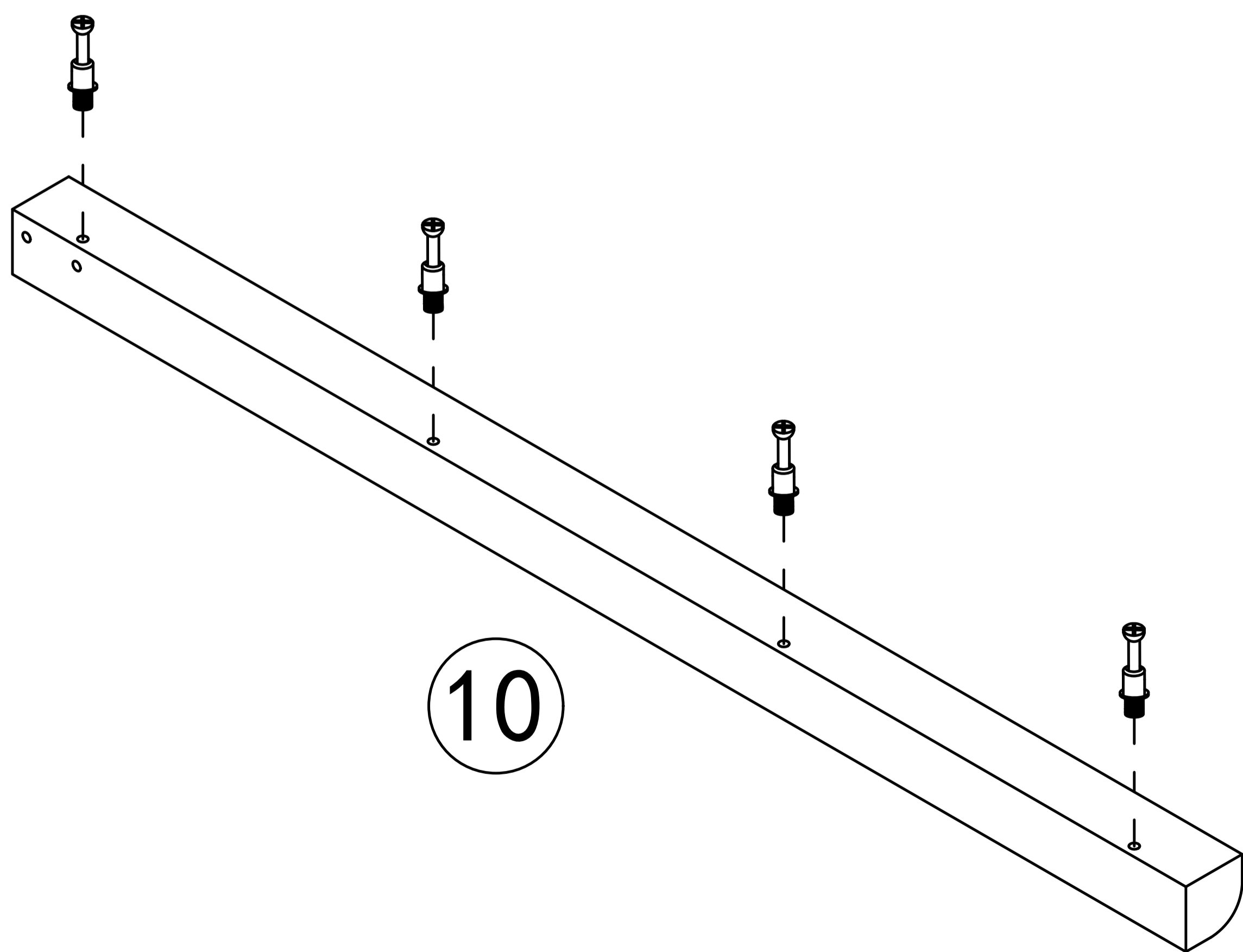
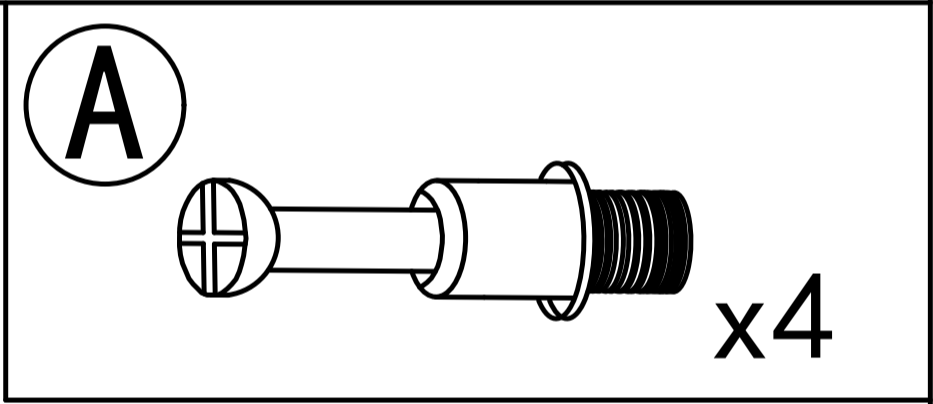
Step 31



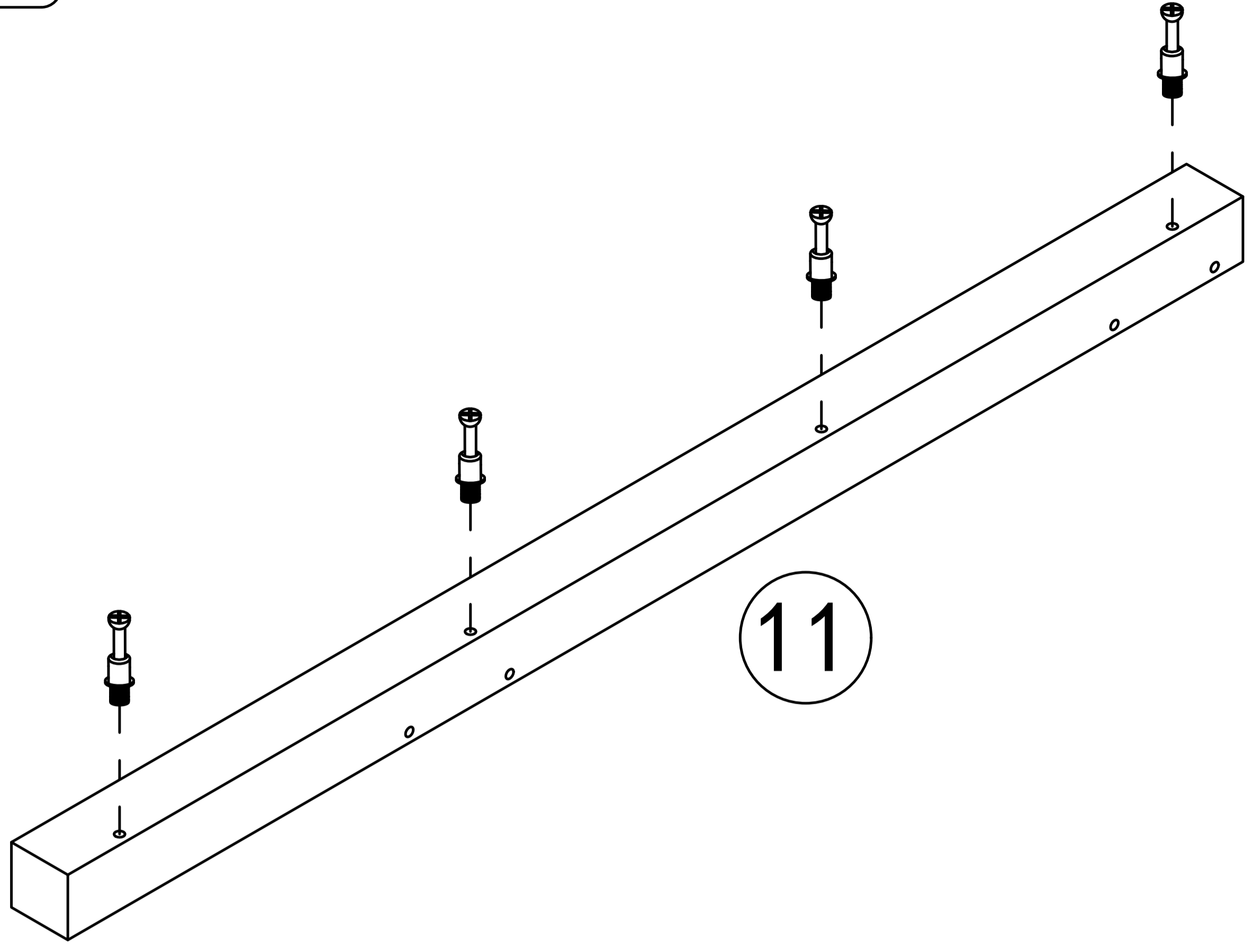
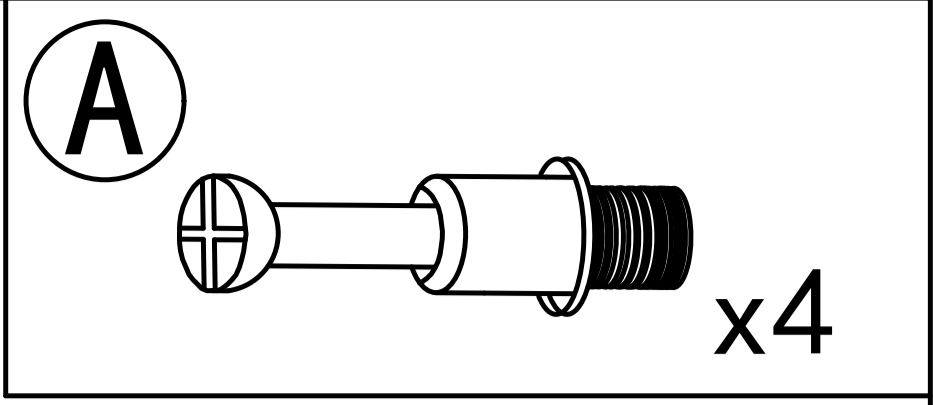
Step 32



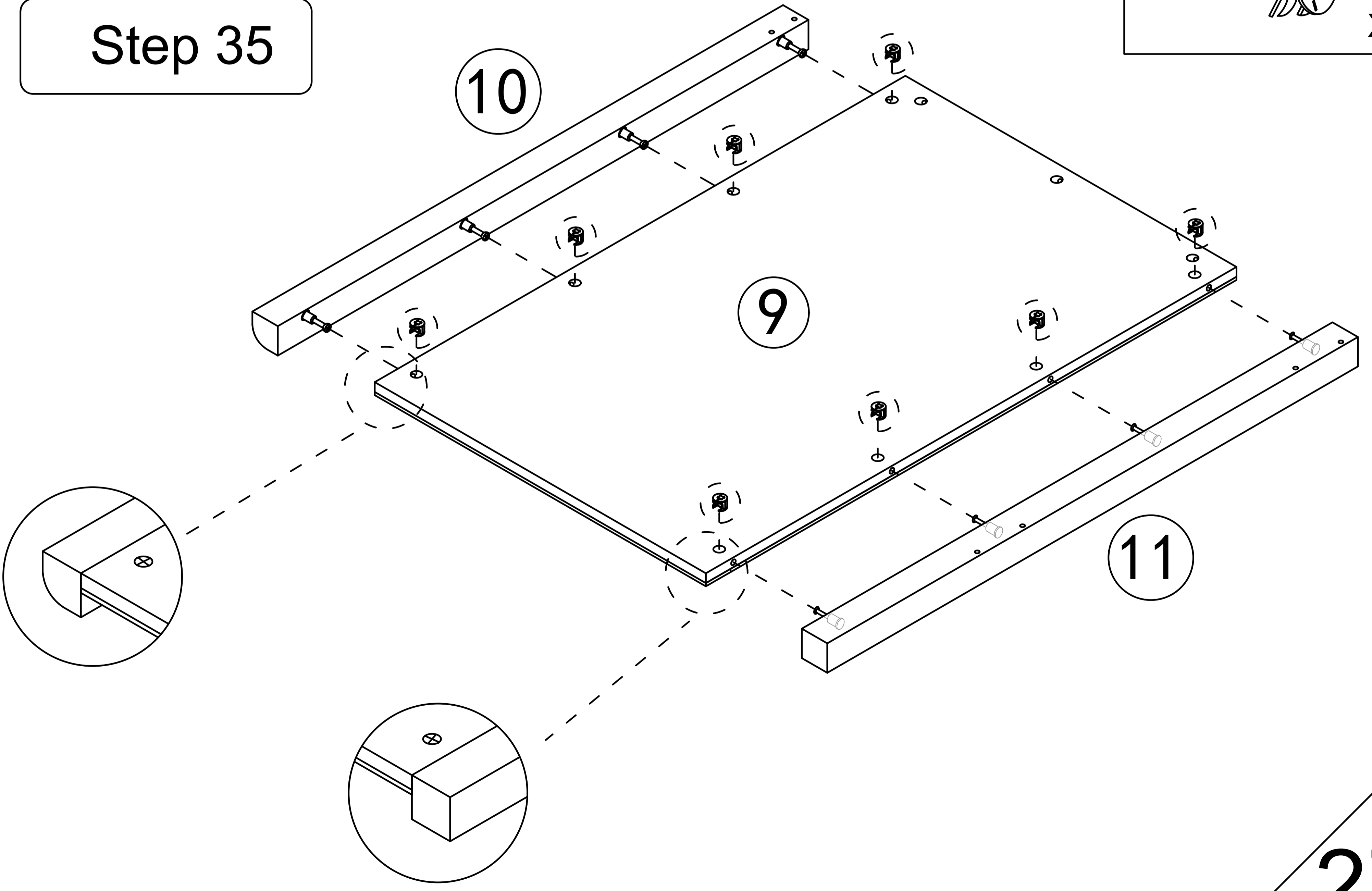
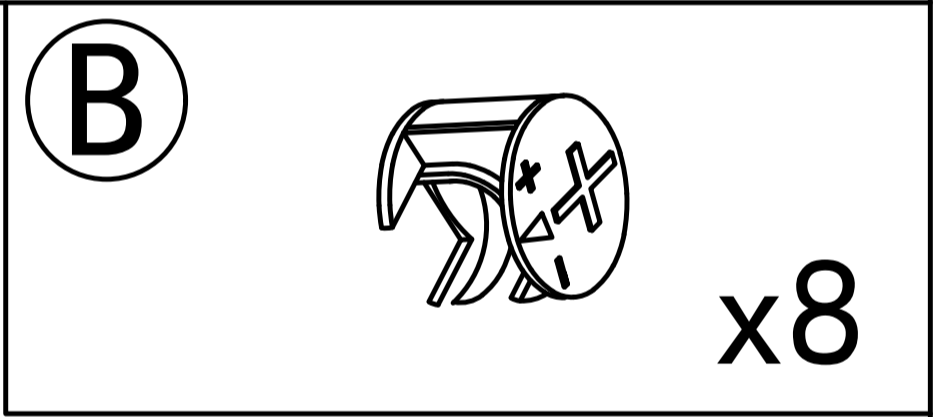
Step 33



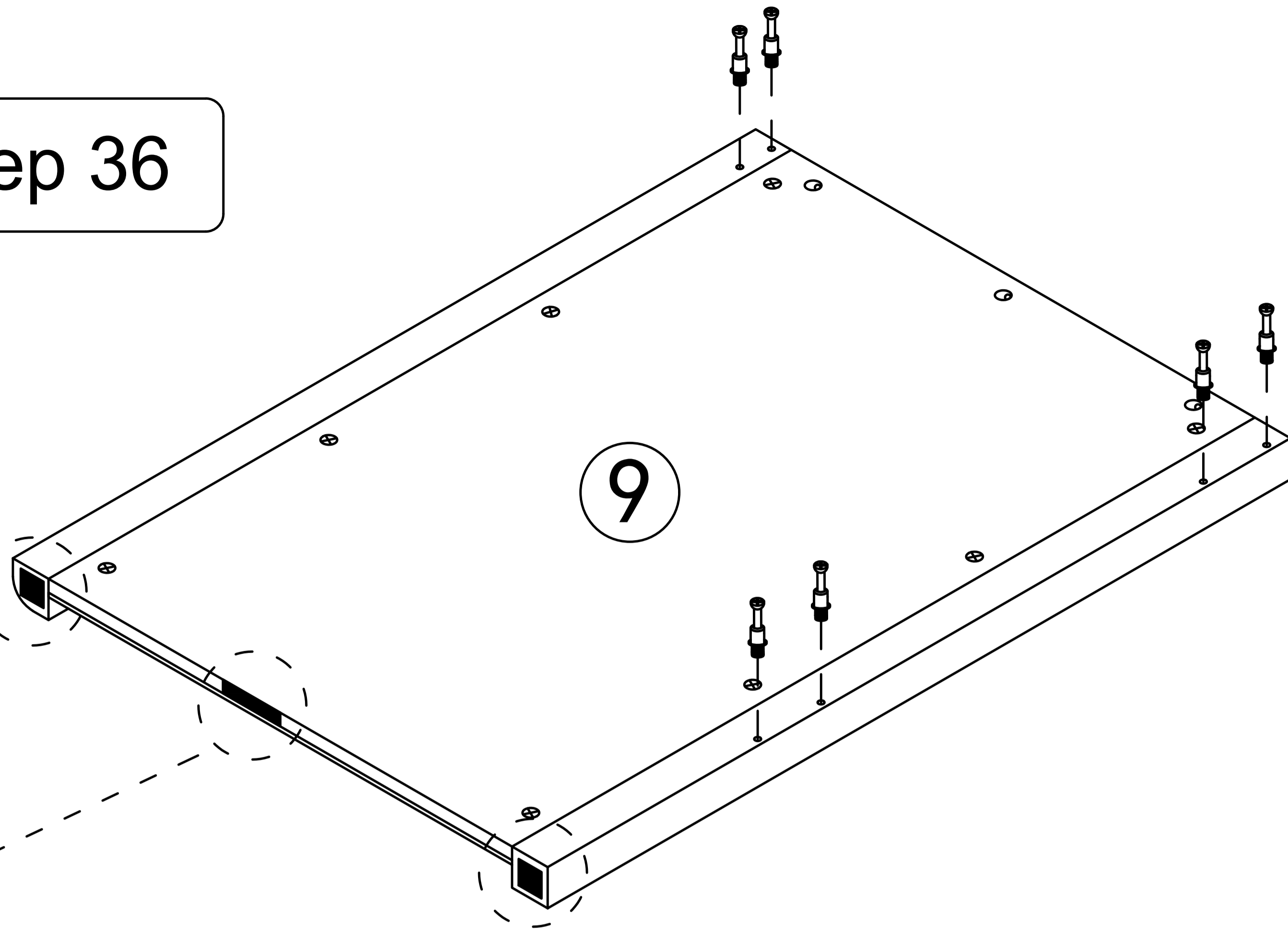
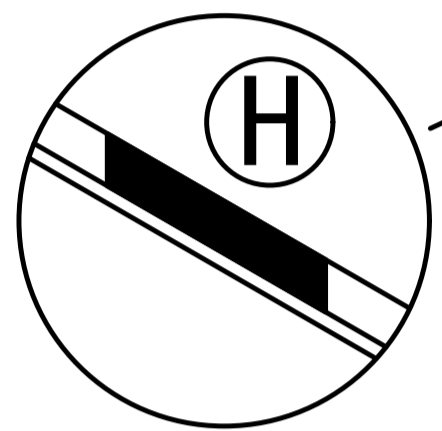
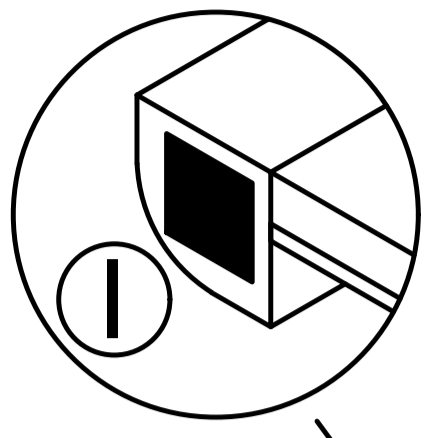
Step 34



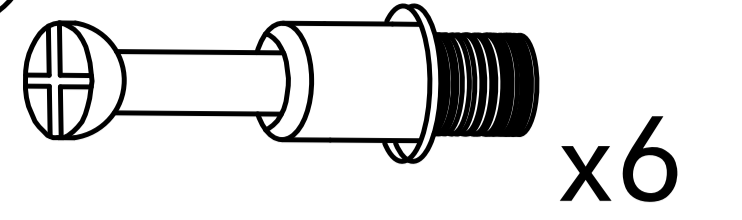
Step 35



Step 36



A



x6

H



x1

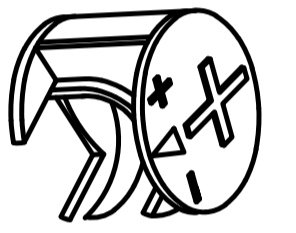
I



x2

Step 37

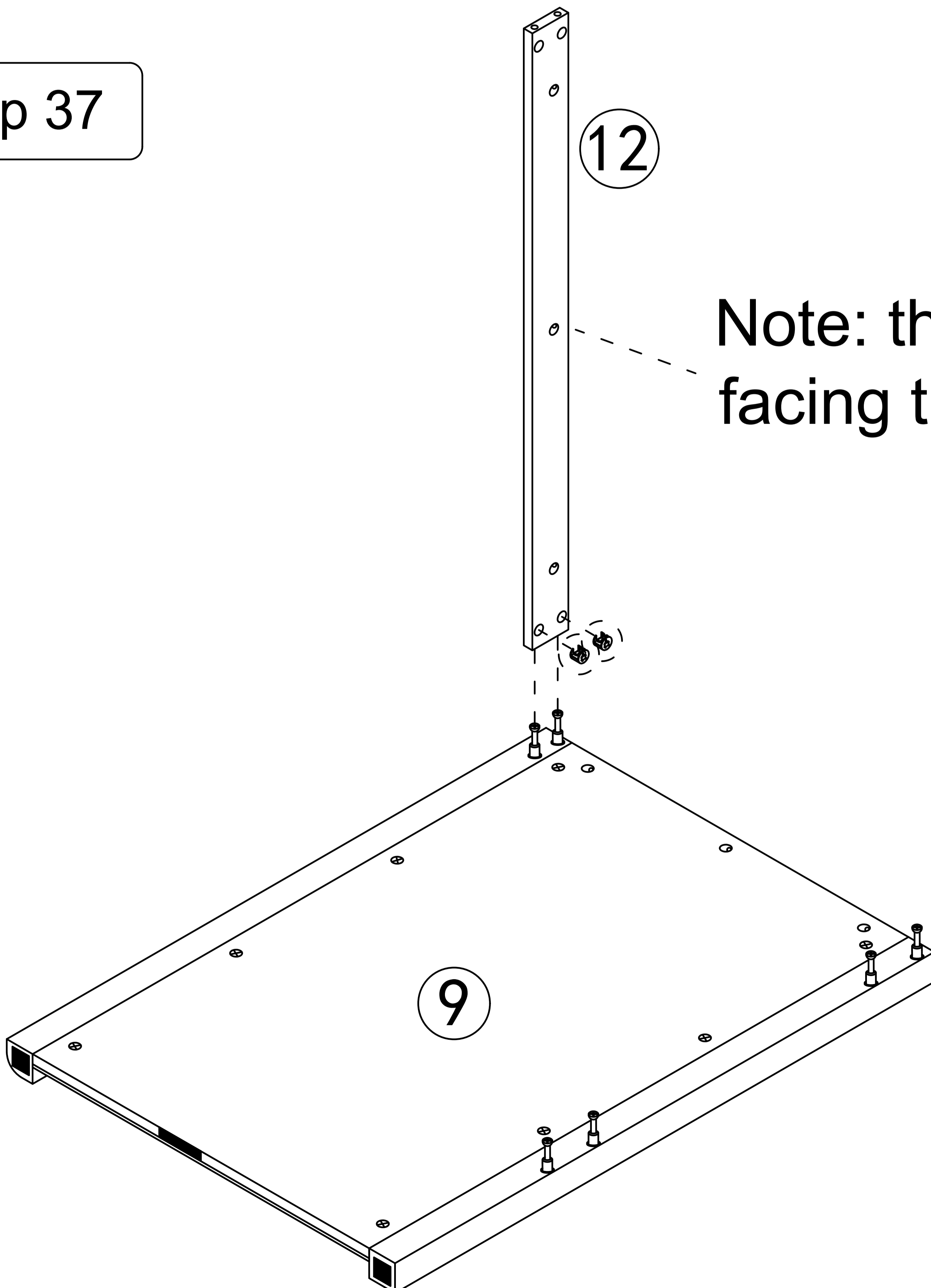
B



x2

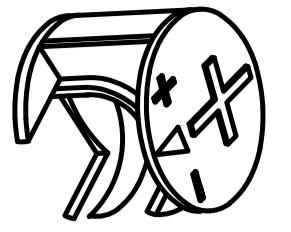
12

Note: the hole is facing this way

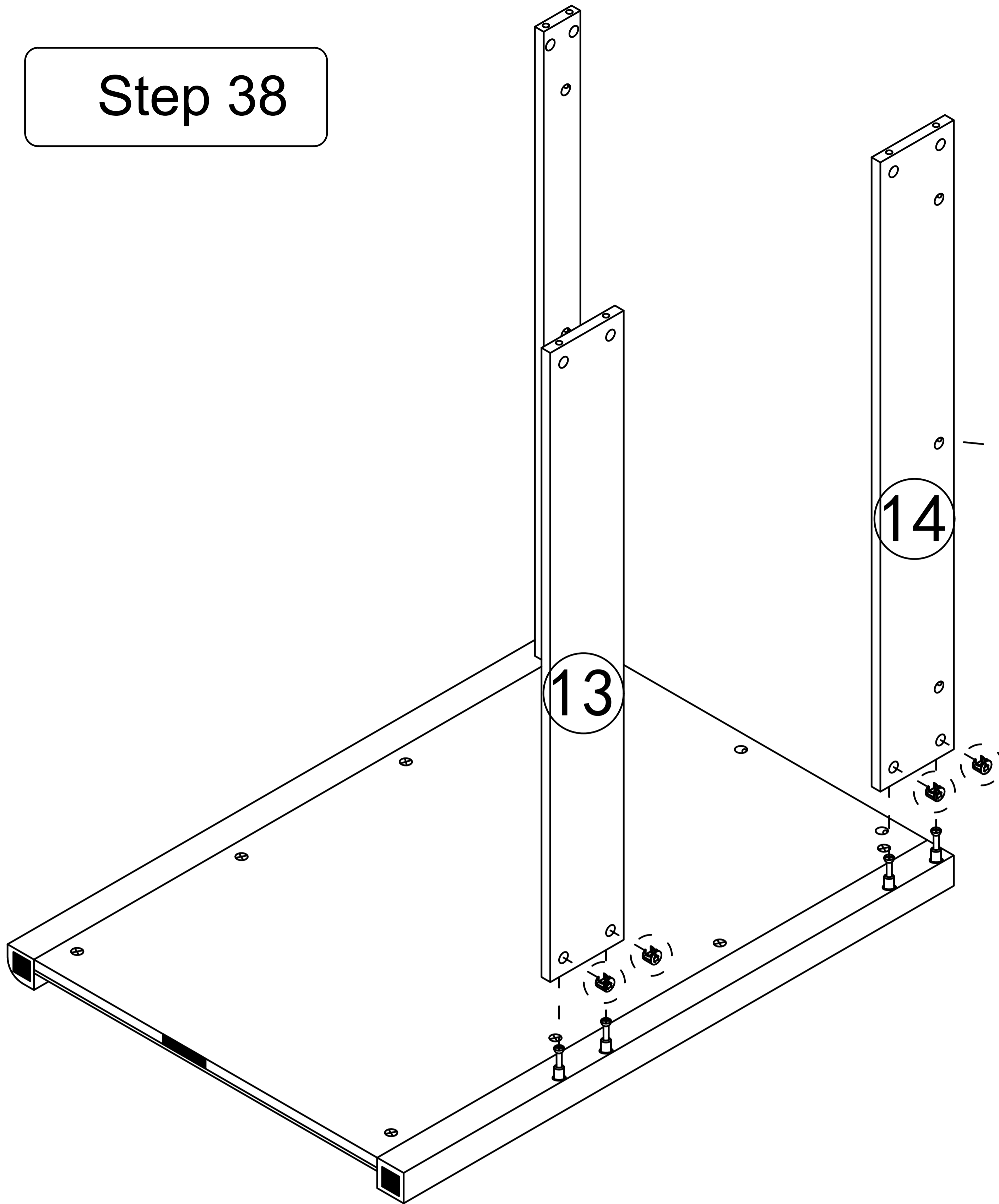


Step 38

B



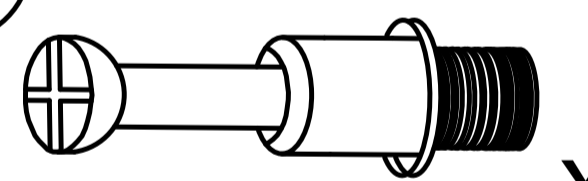
x4



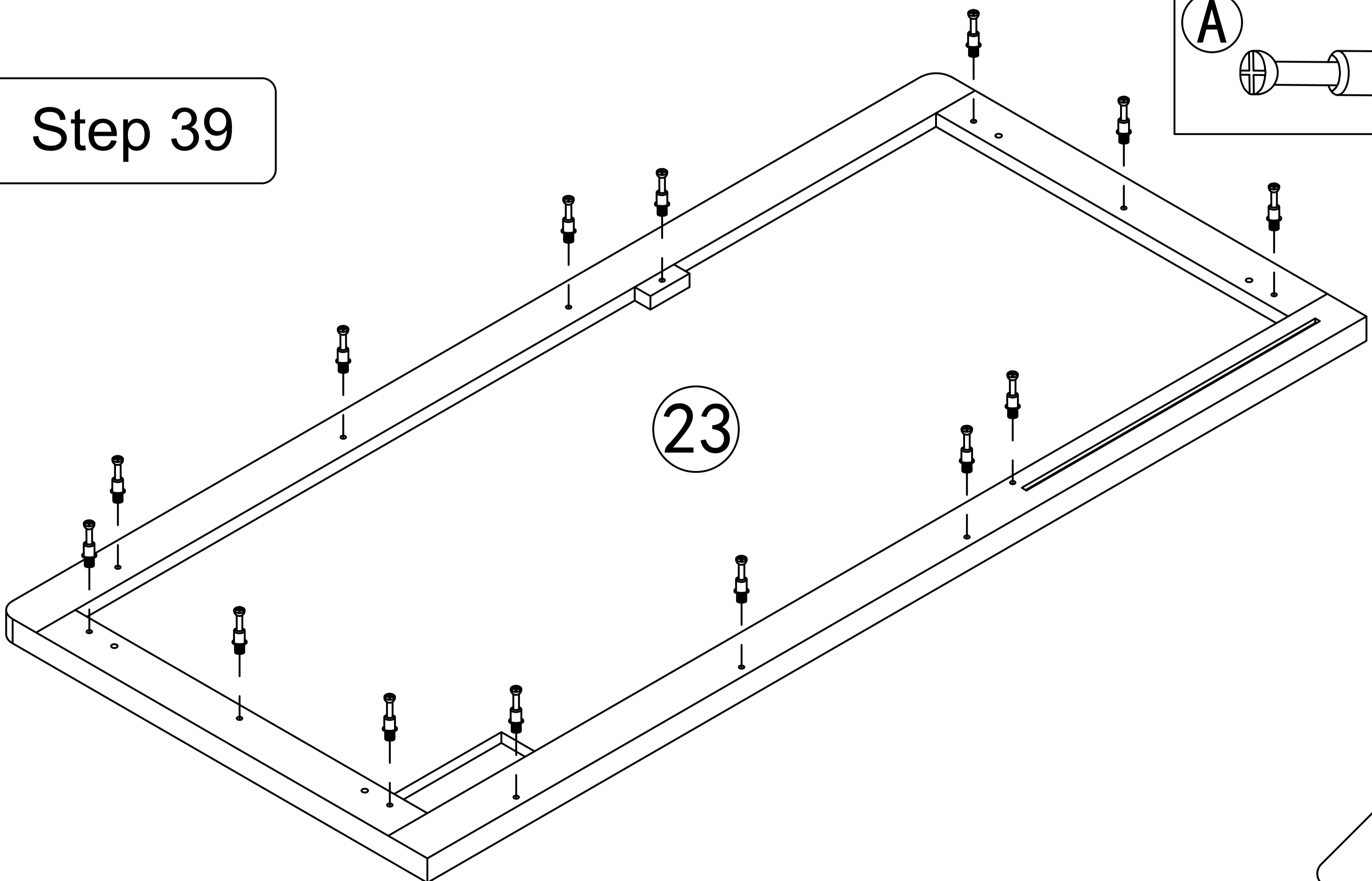
Note: the hole is facing this way

Step 39

A



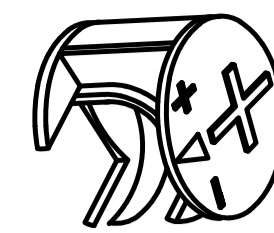
x14



29

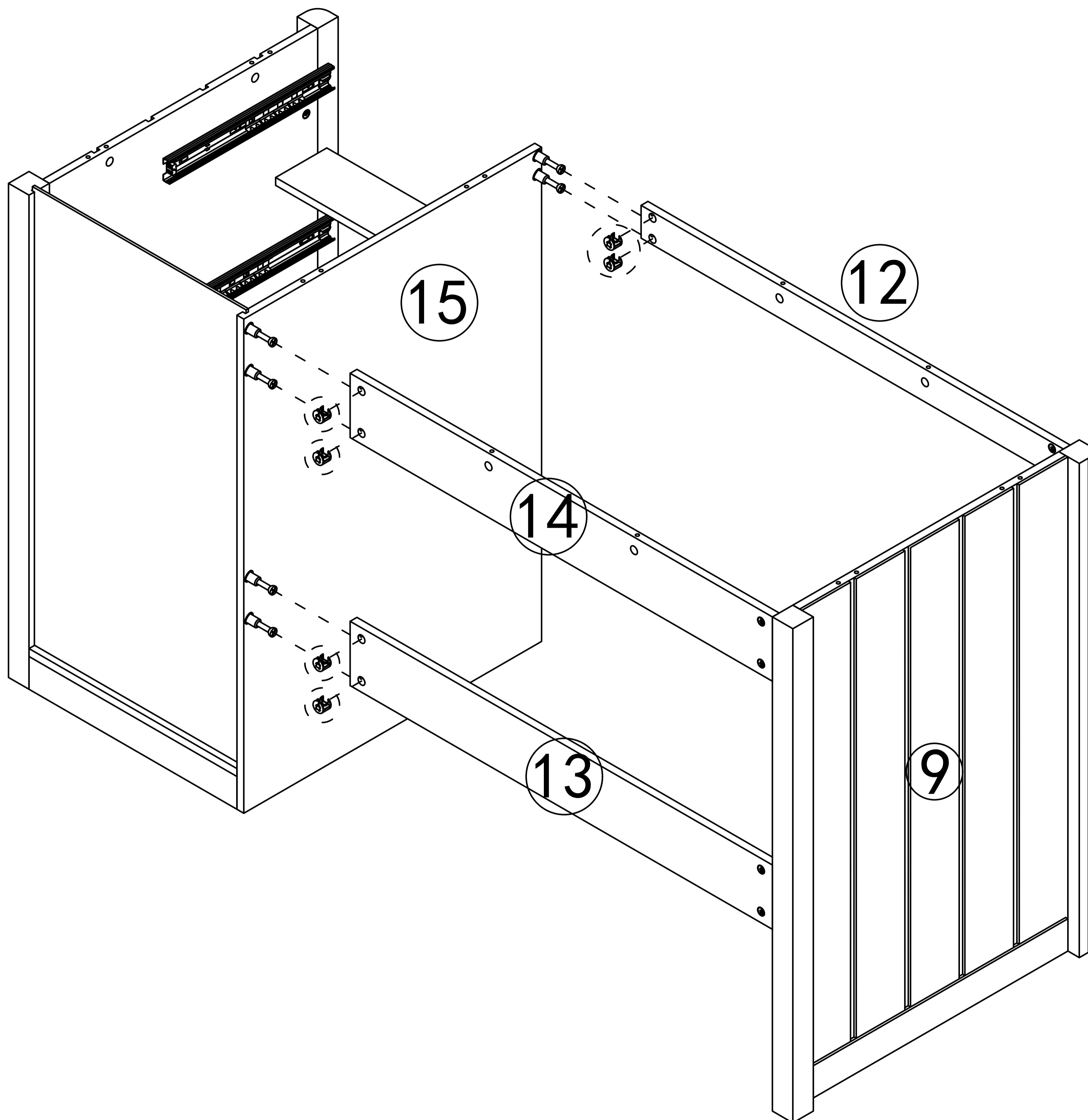
# Step 40

B

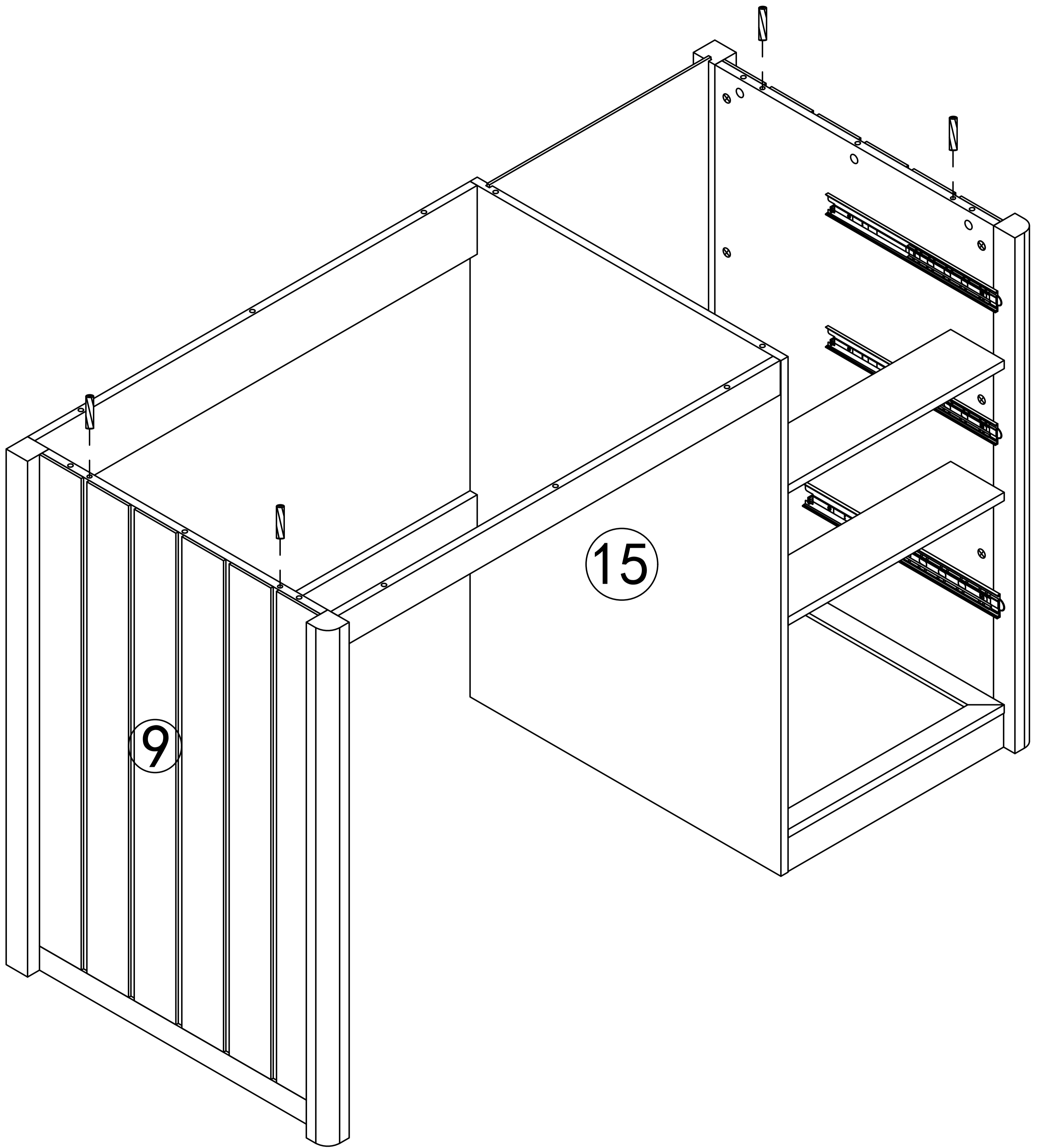
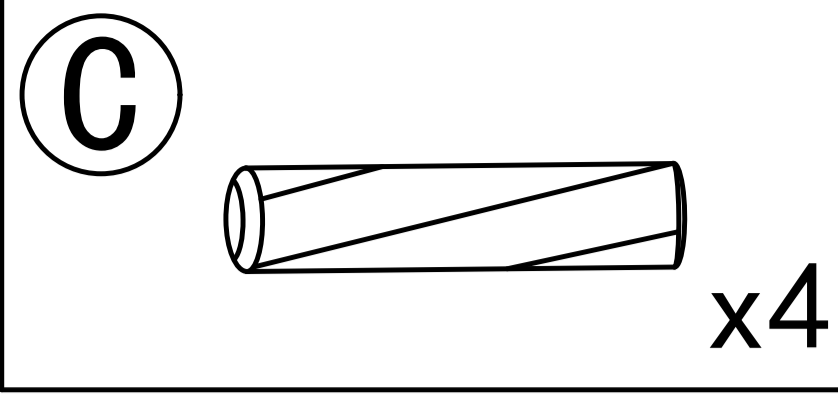


x6

It is recommended that two people work together to install the structural wood panels.

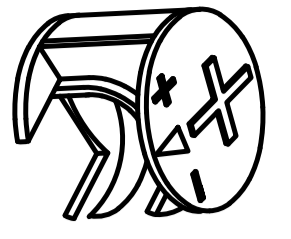


Step 41

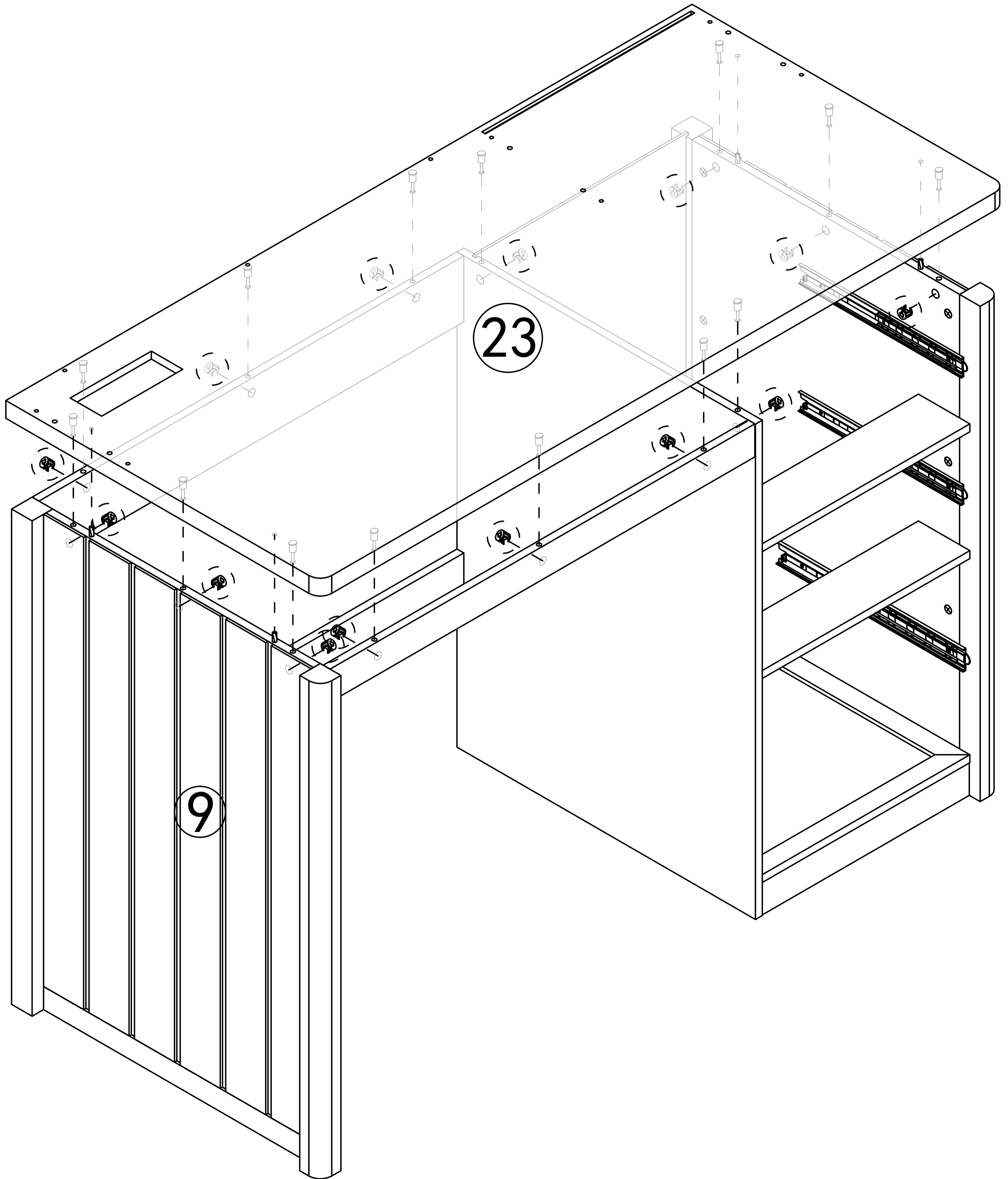


Step 42

B

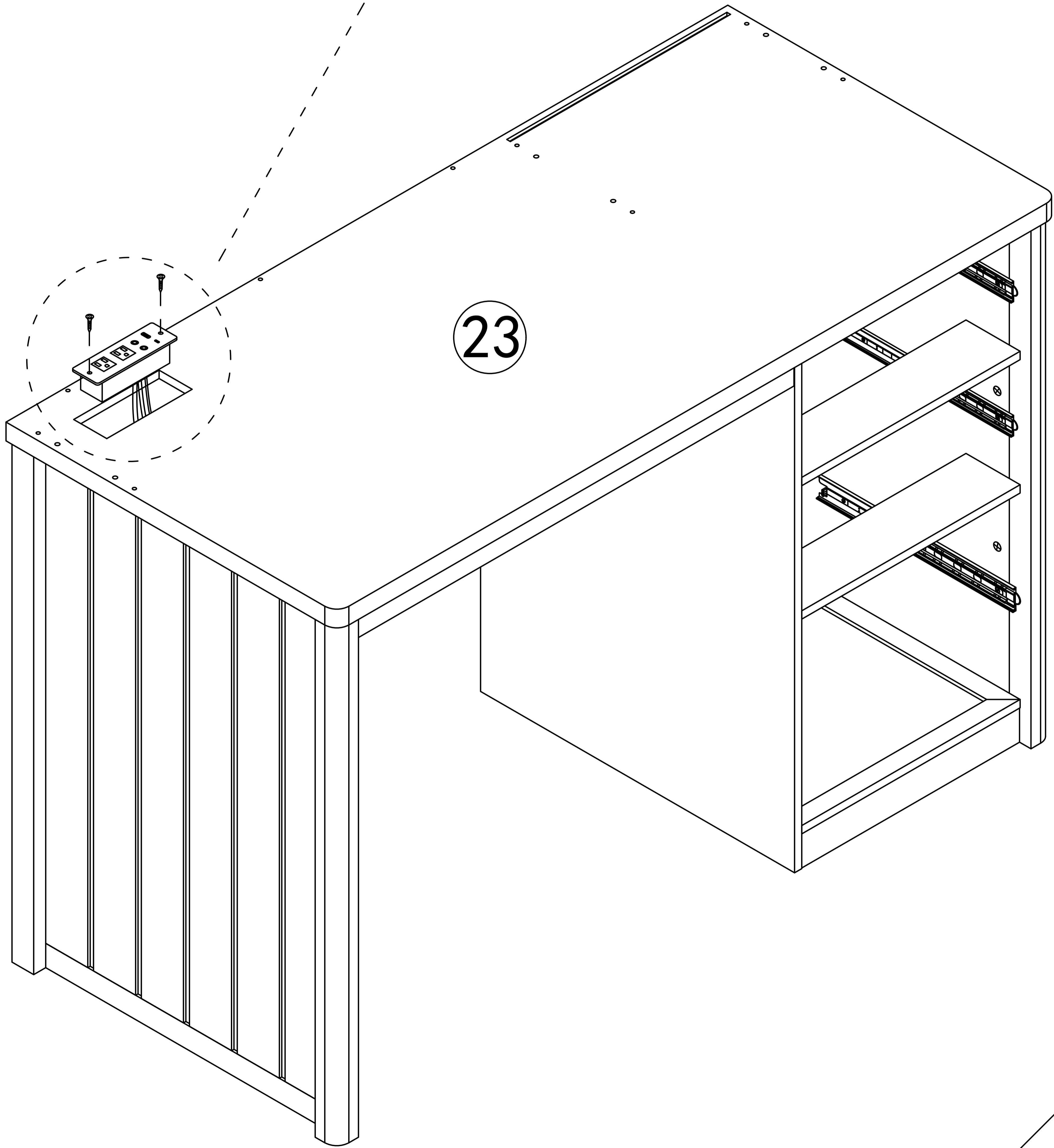
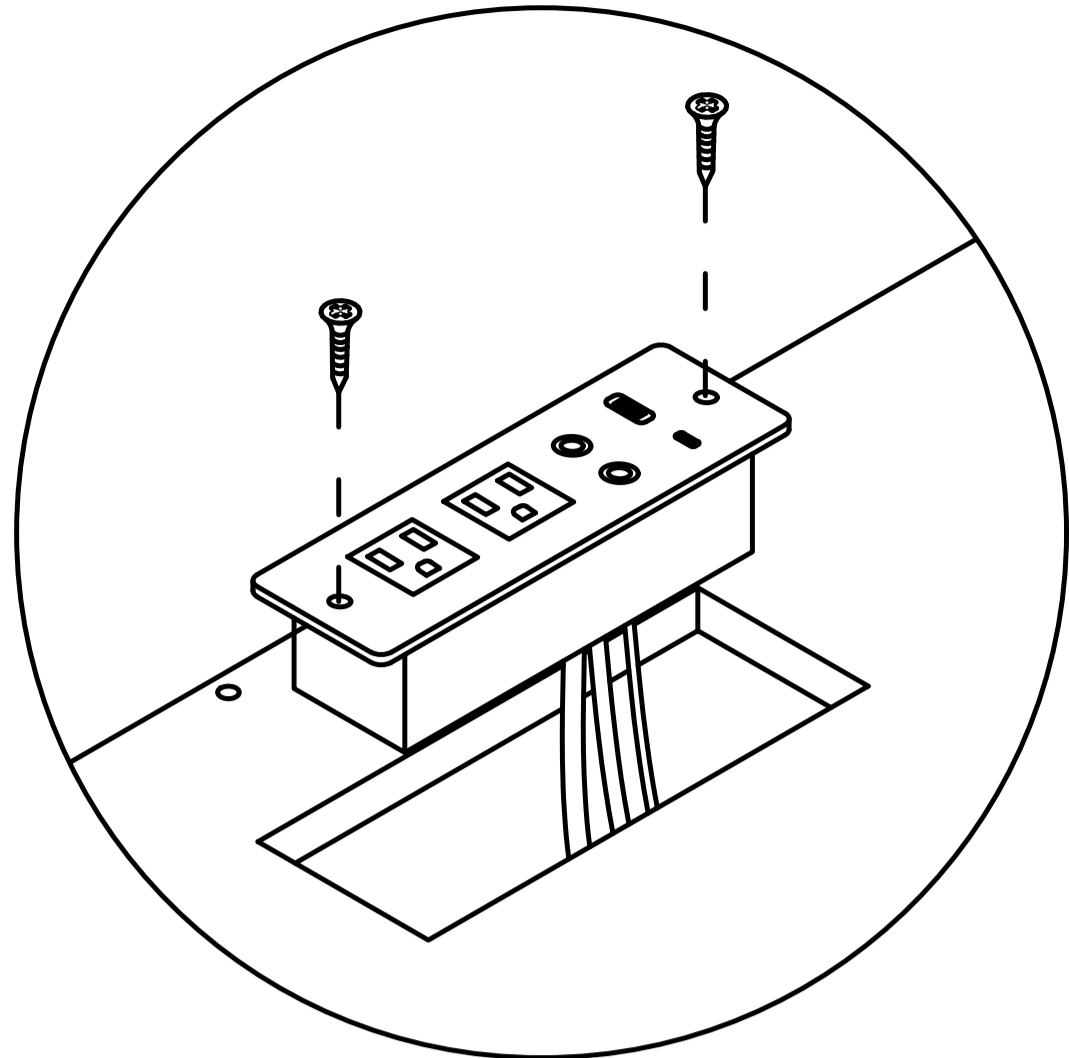


x14

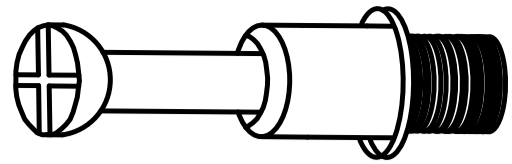
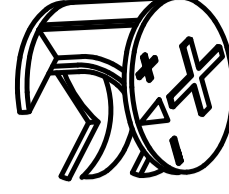
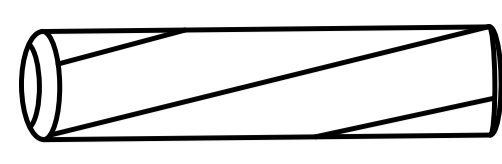
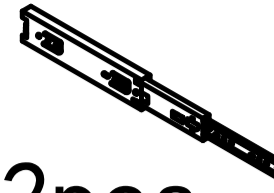
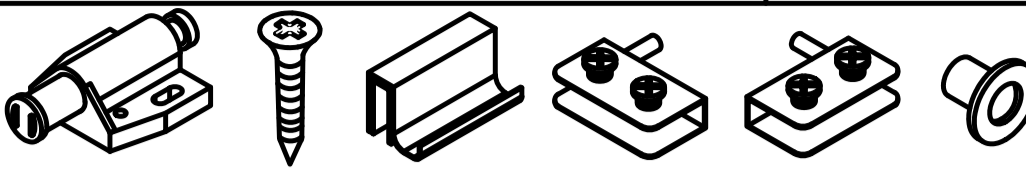
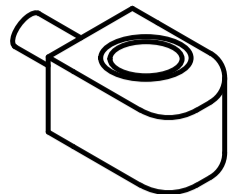
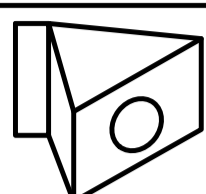
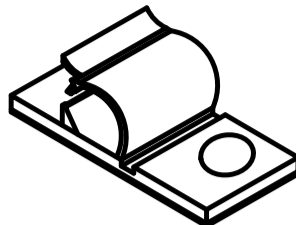

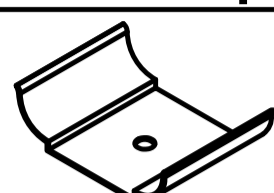

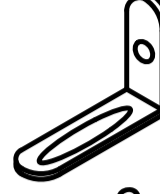
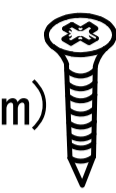
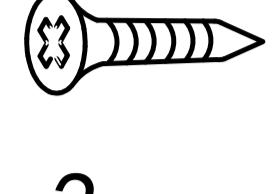




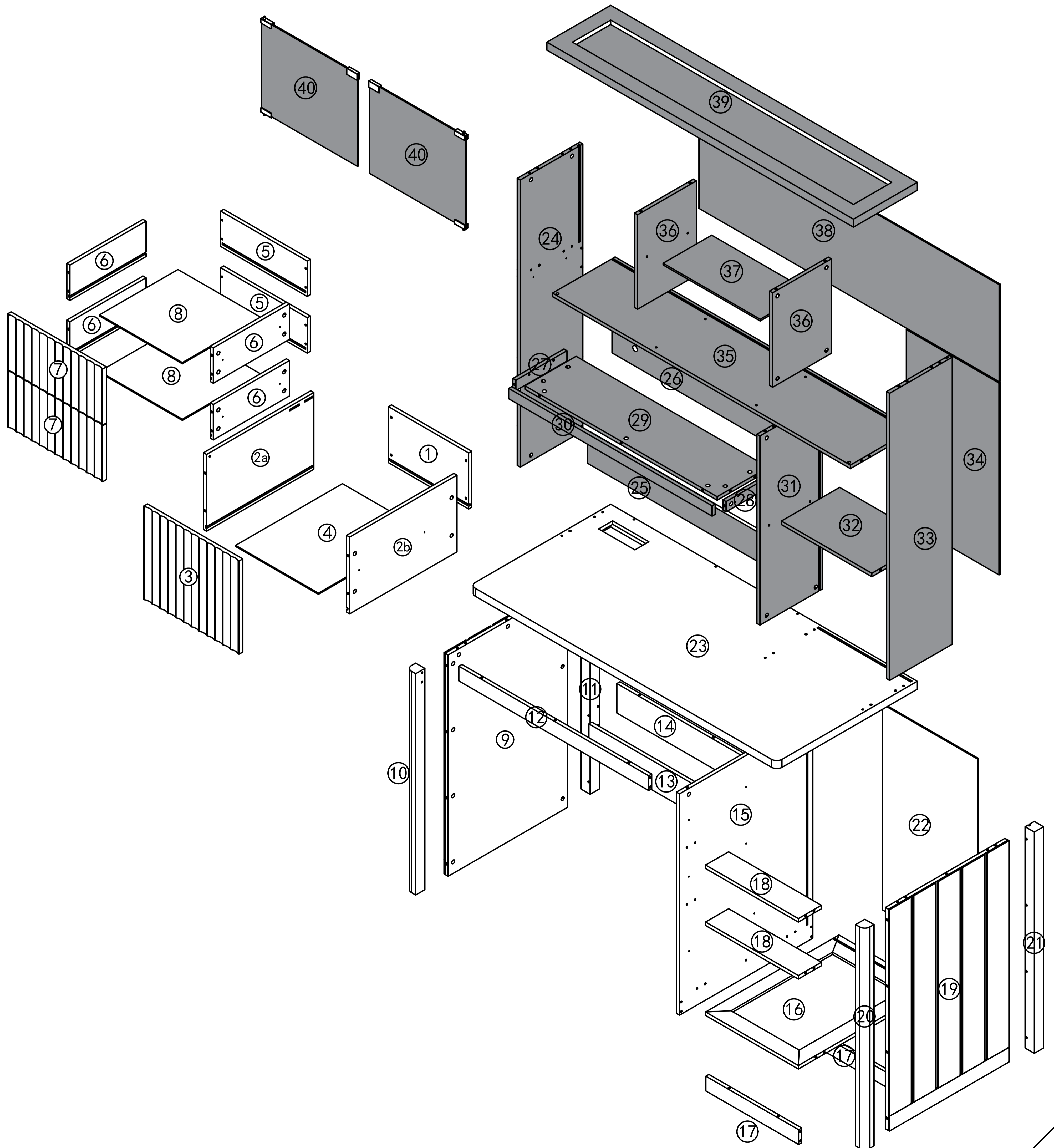
Step 43

Q  
x1 x2

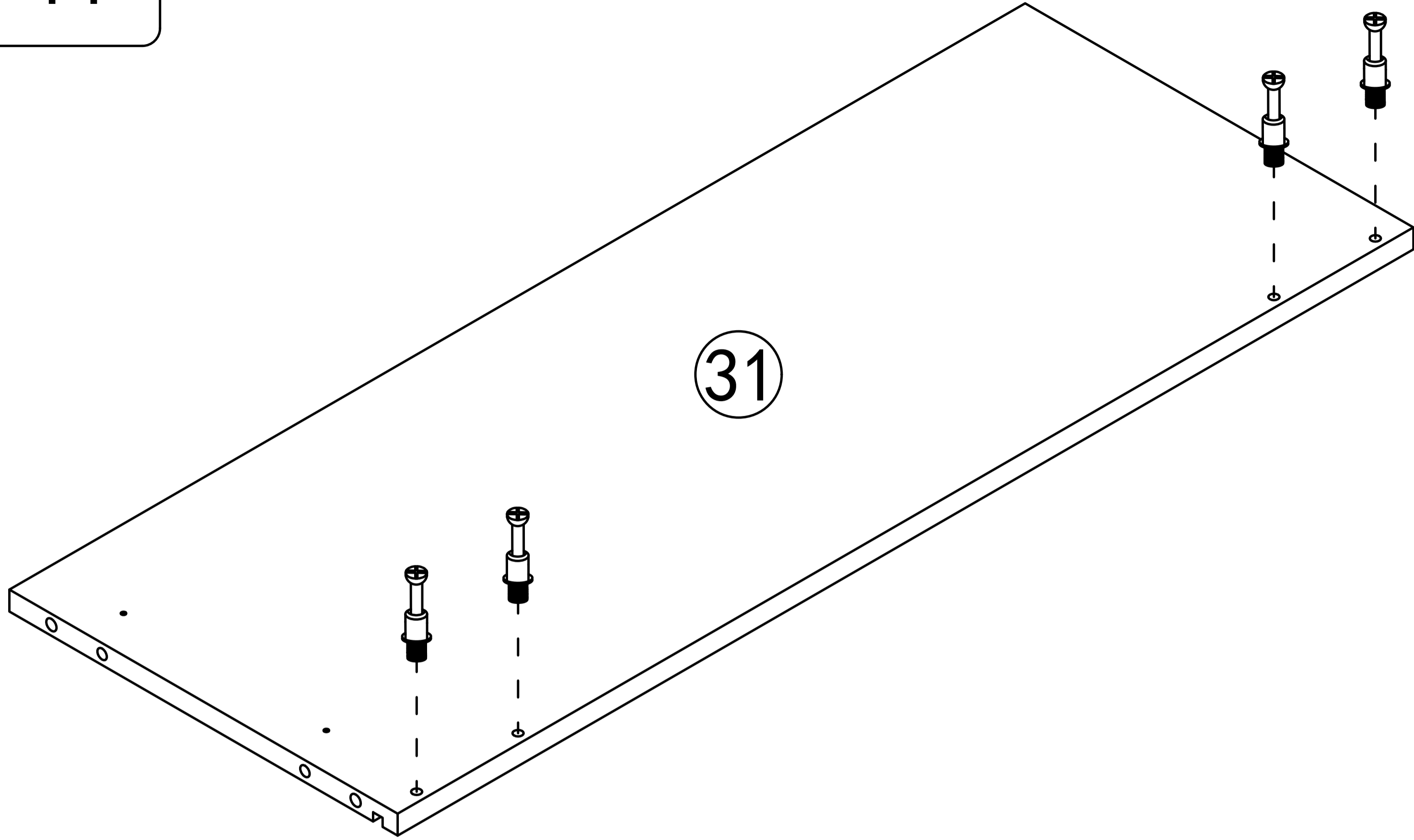
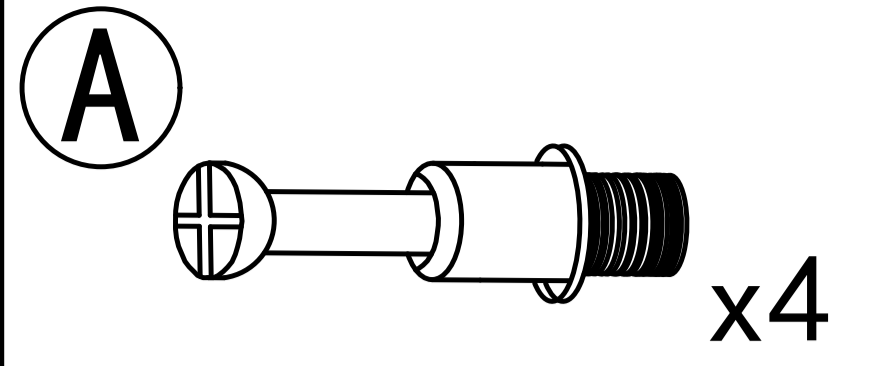


23

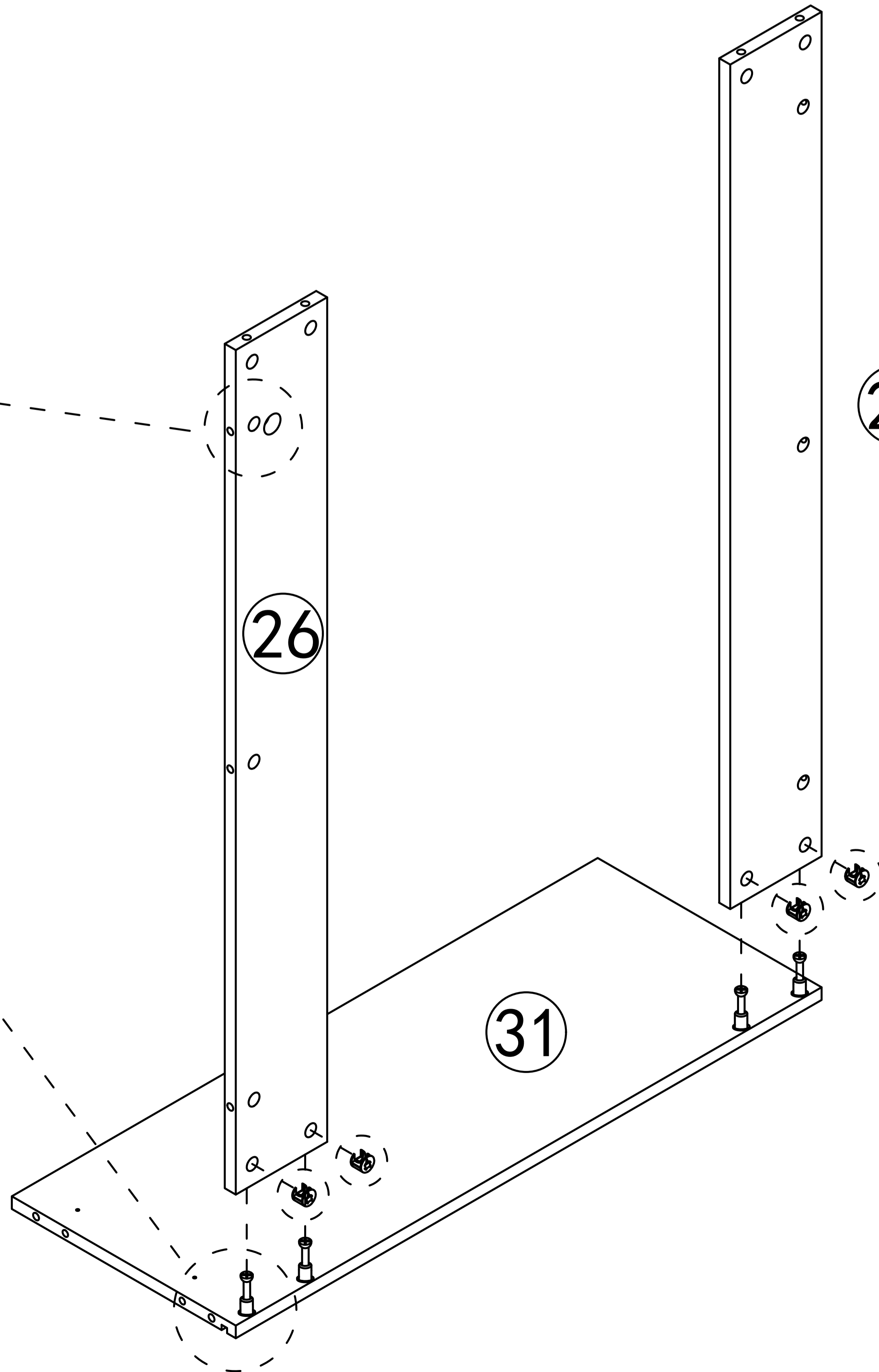
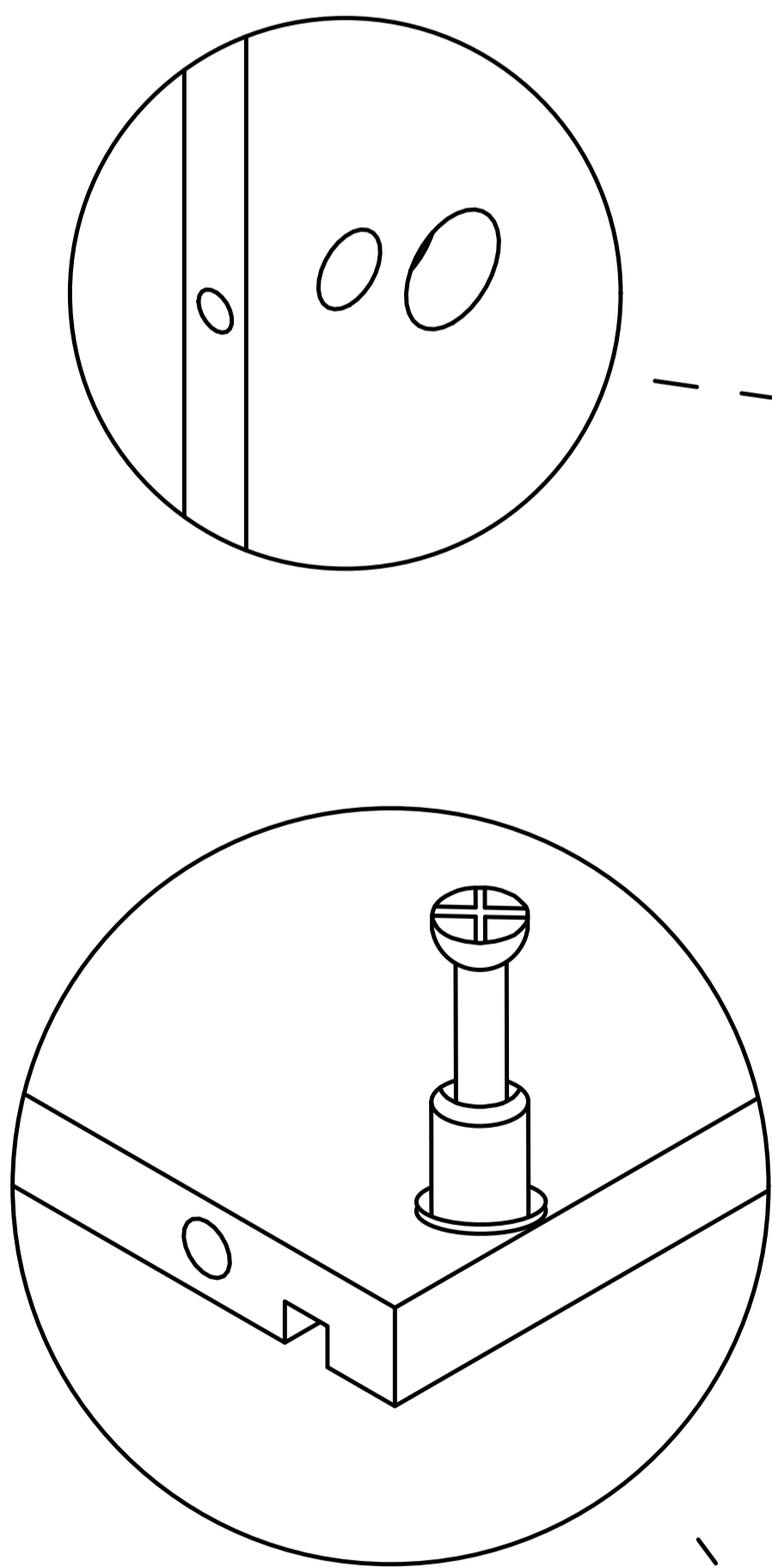
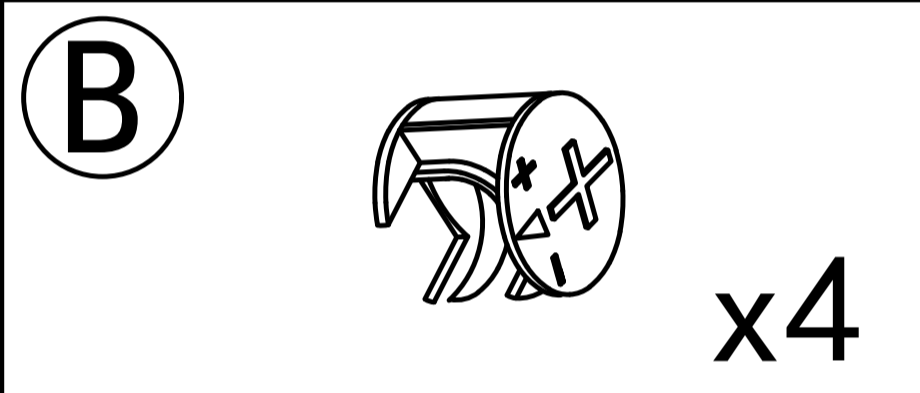
<b>A</b>		51pcs	<b>B</b>		51pcs	<b>C</b>		16pcs	
<b>J</b>		2pcs	<b>K</b>		2pcs 8pcs 2pcs 2pcs 2pcs 4pcs	<b>L</b>		4pcs	
<b>M</b>		26pcs	<b>N</b>		3pcs	<b>O</b>		1pcs	
<b>M</b>		3pcs	<b>N</b>		x2		x2		(3.5x14mm) x2
		3pcs					x4		x2 (4x45mm)



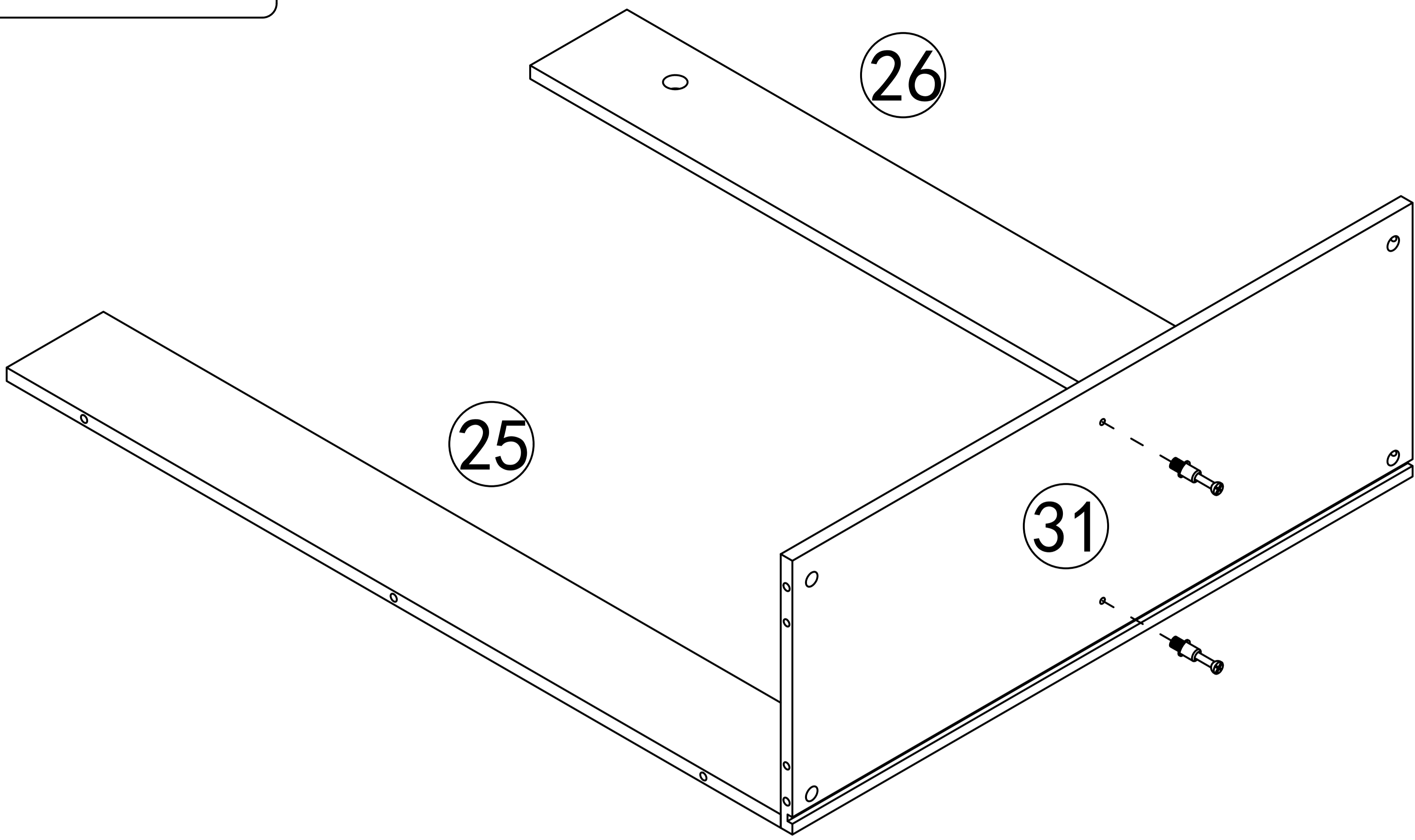
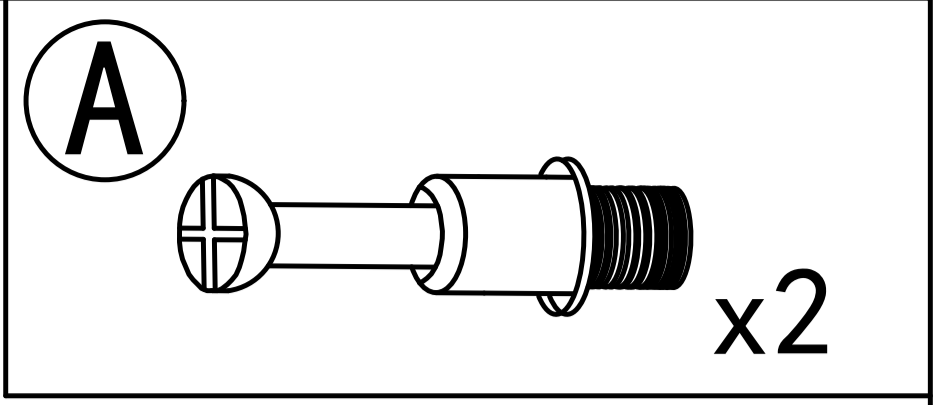
Step 44



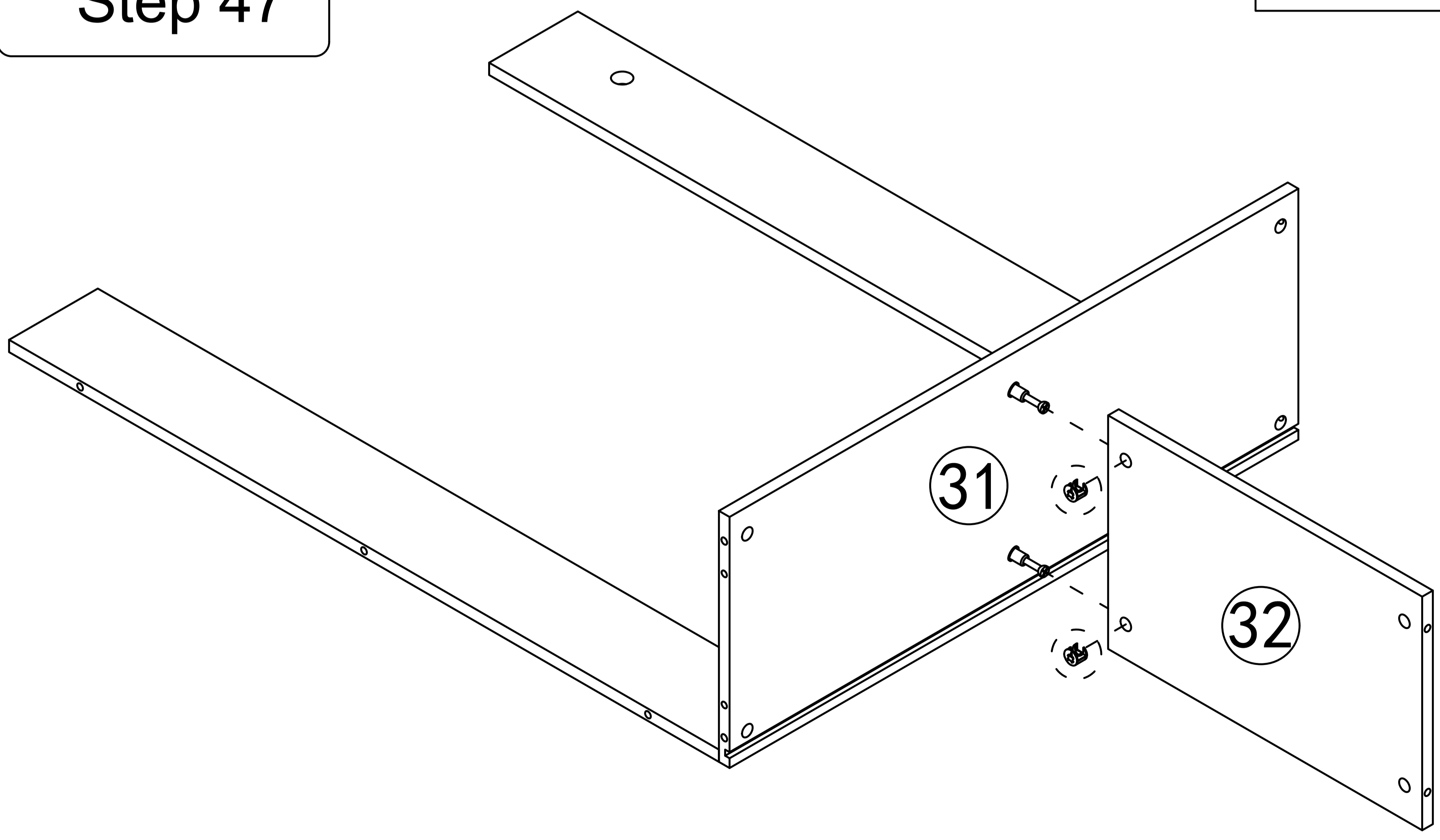
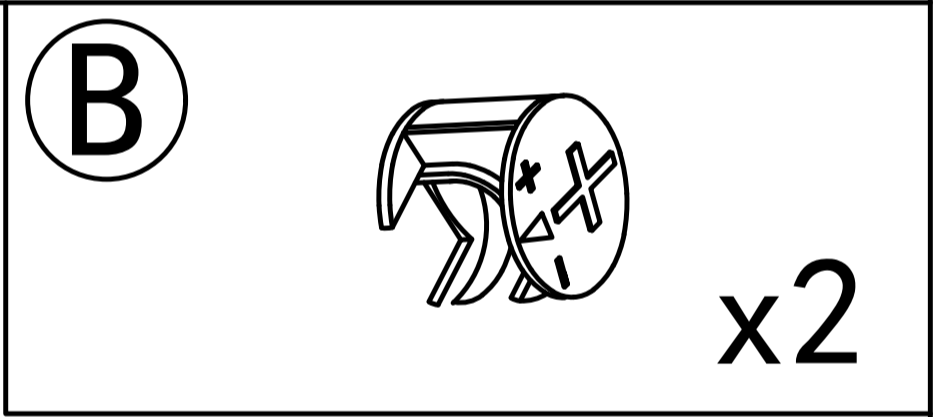
Step 45



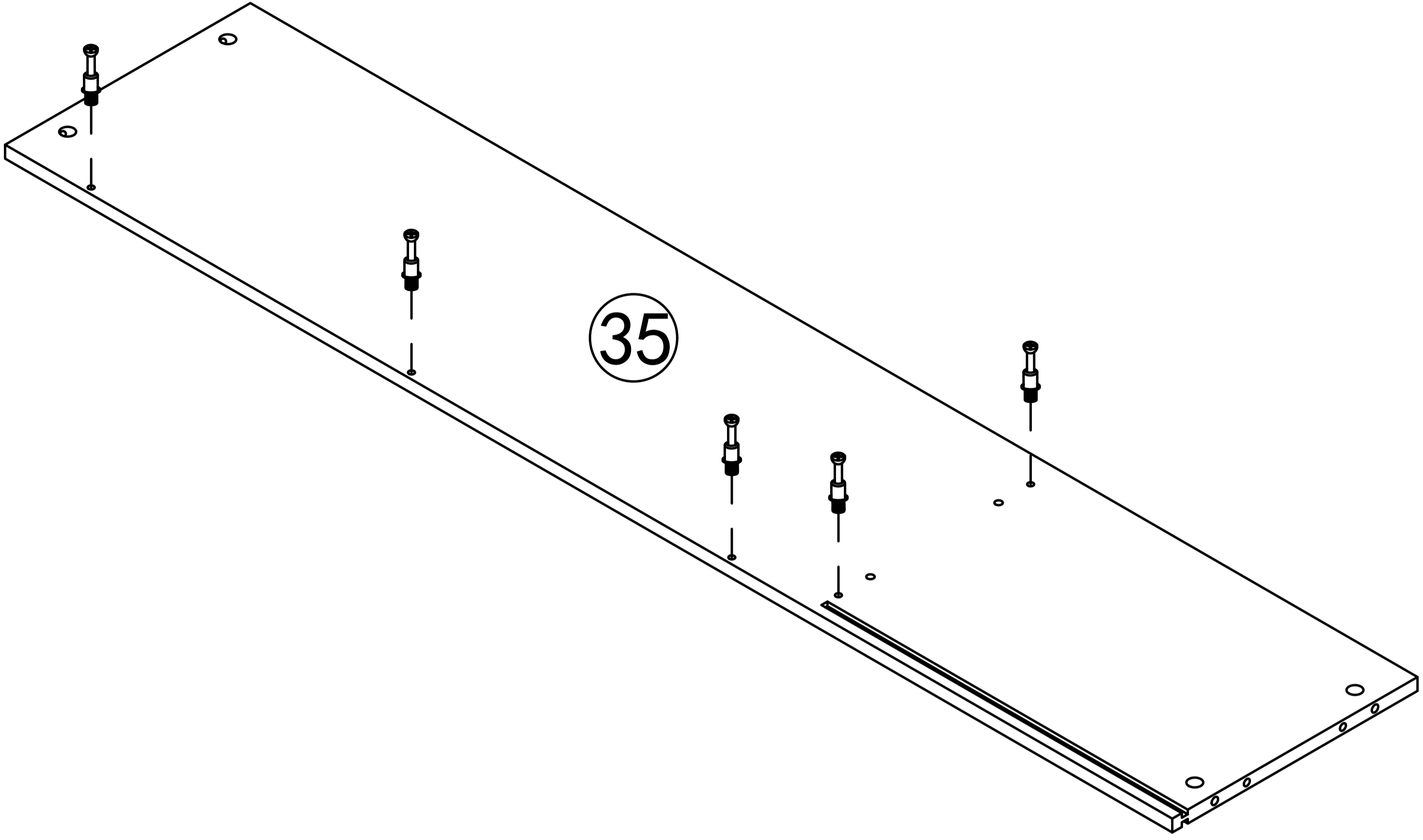
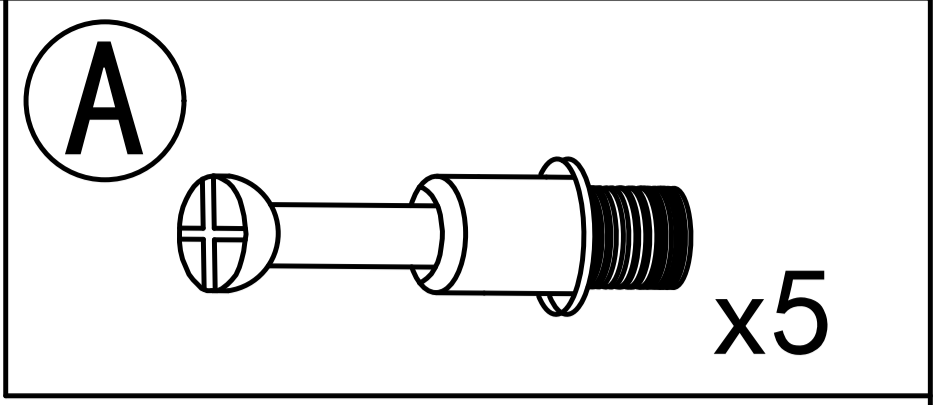
Step 46



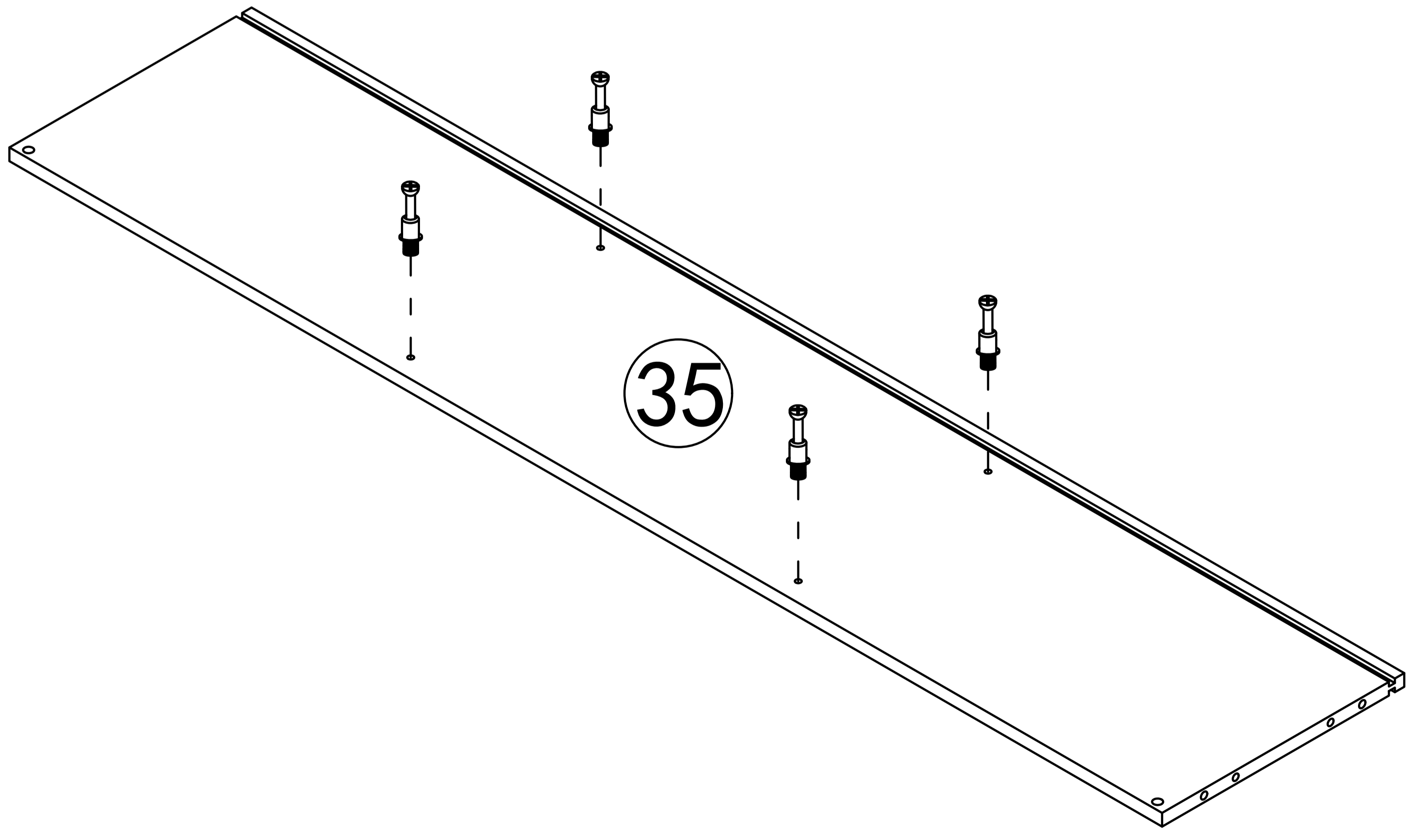
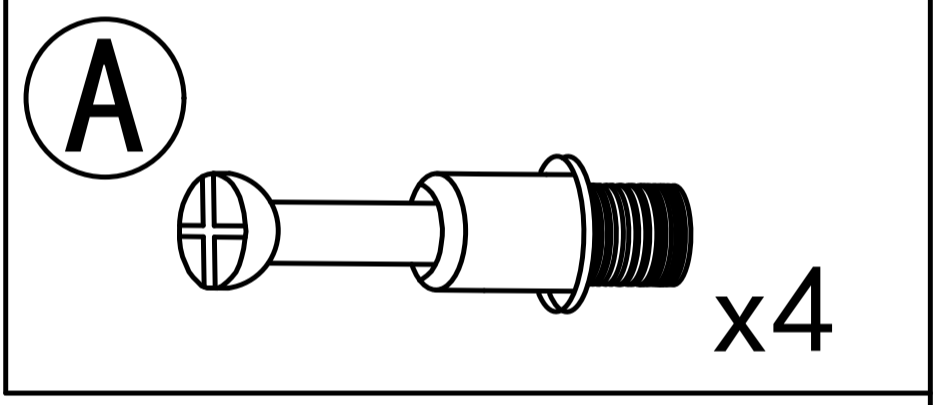
Step 47



Step 48



Step 49

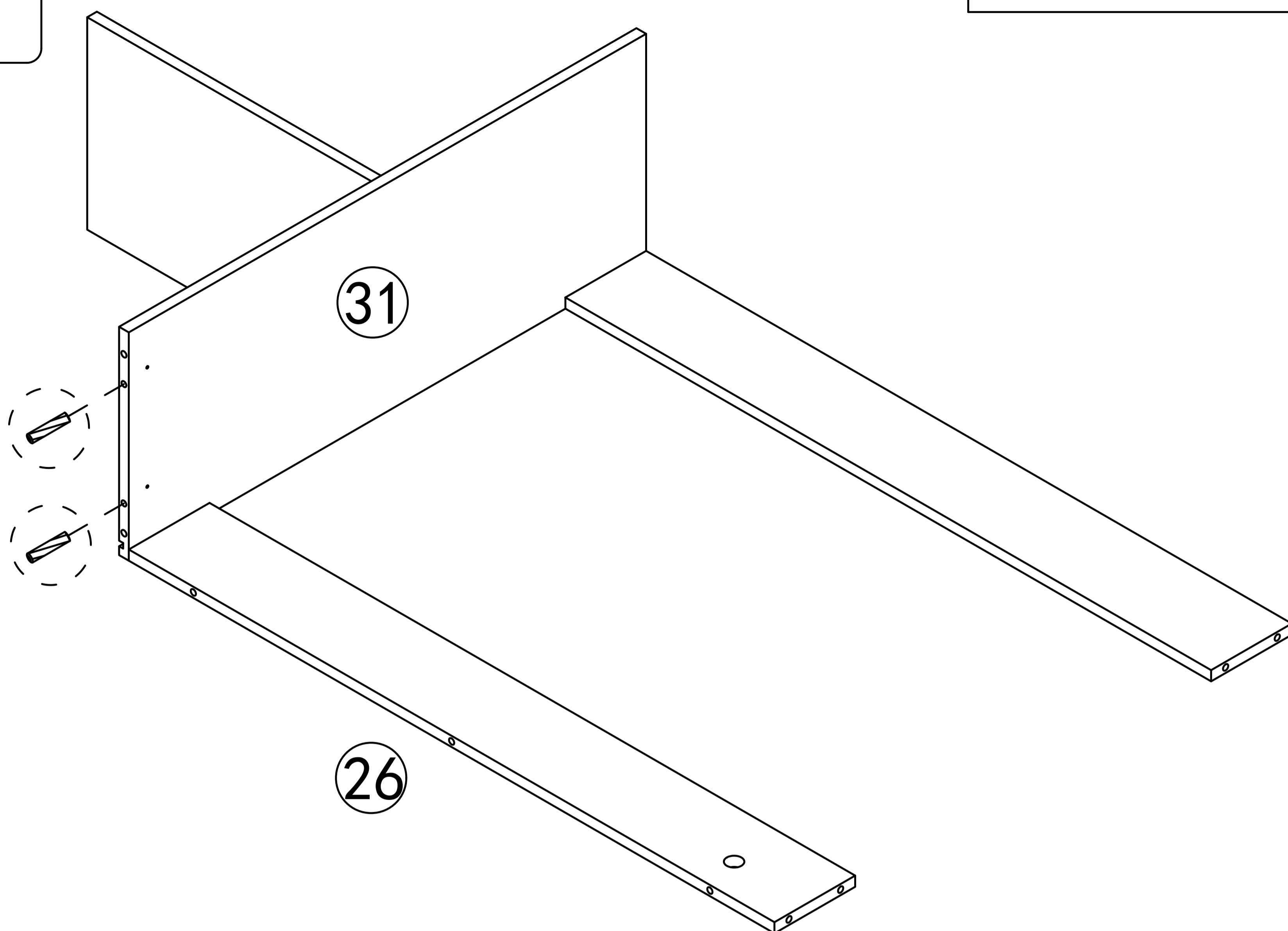


Step 50

C

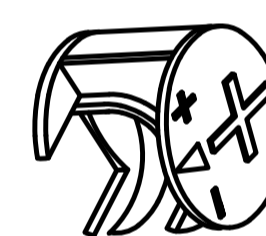


x2

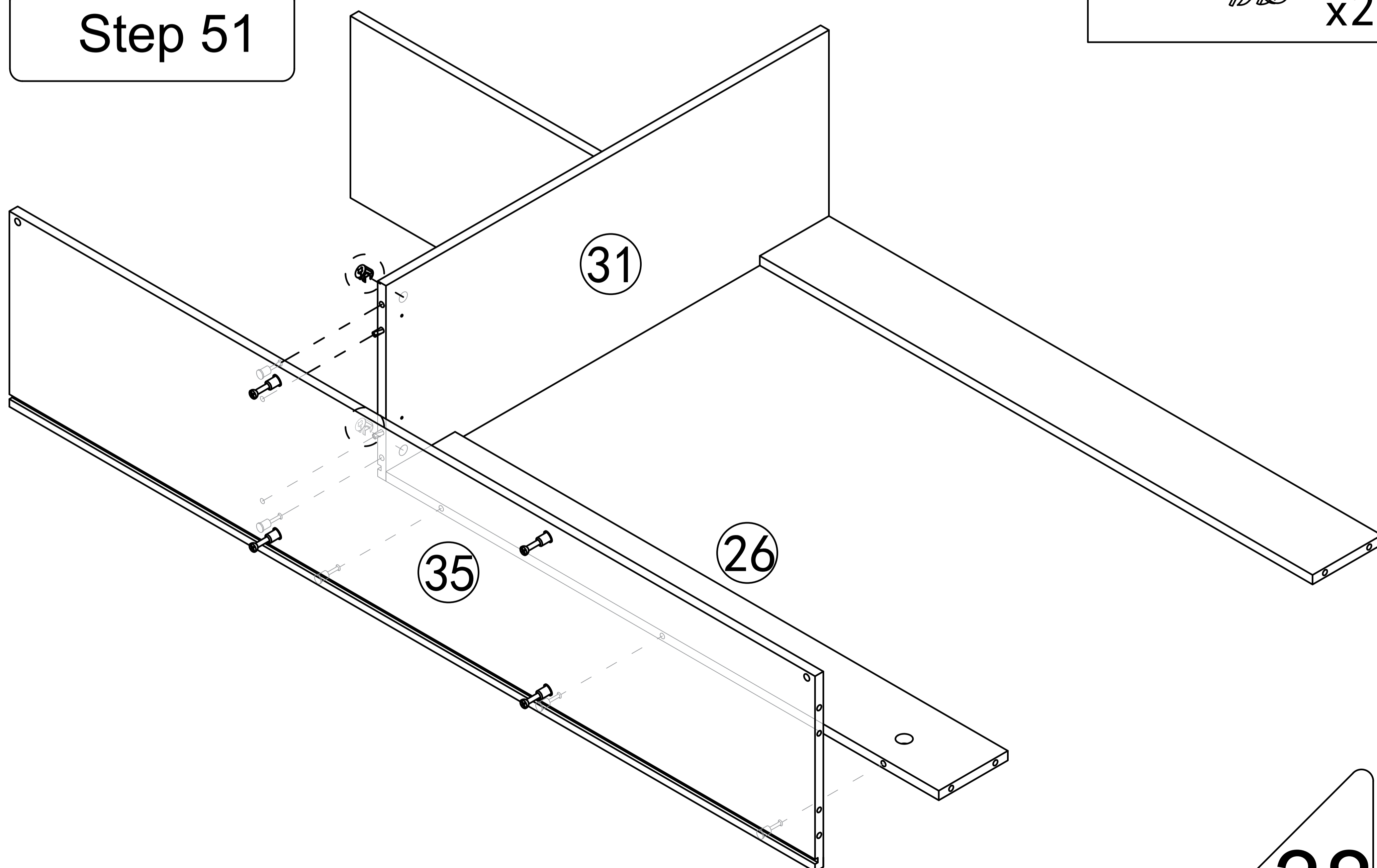


Step 51

B



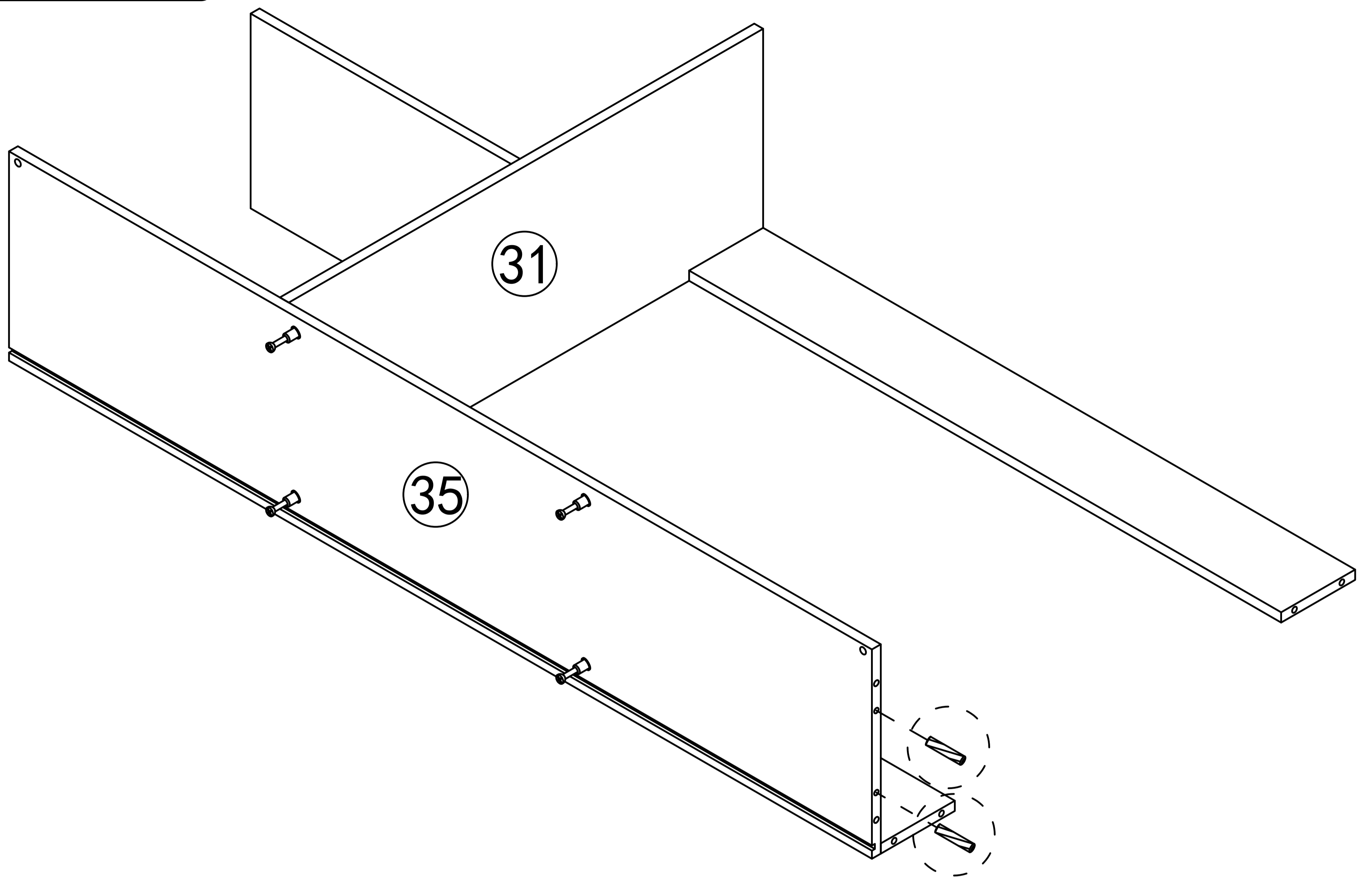
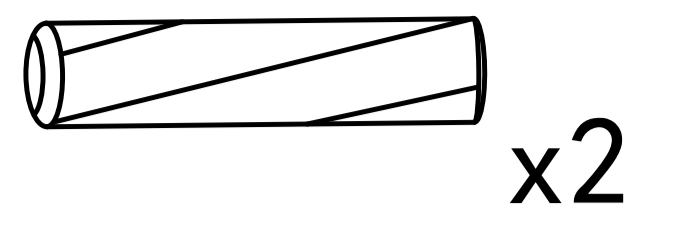
x2



38

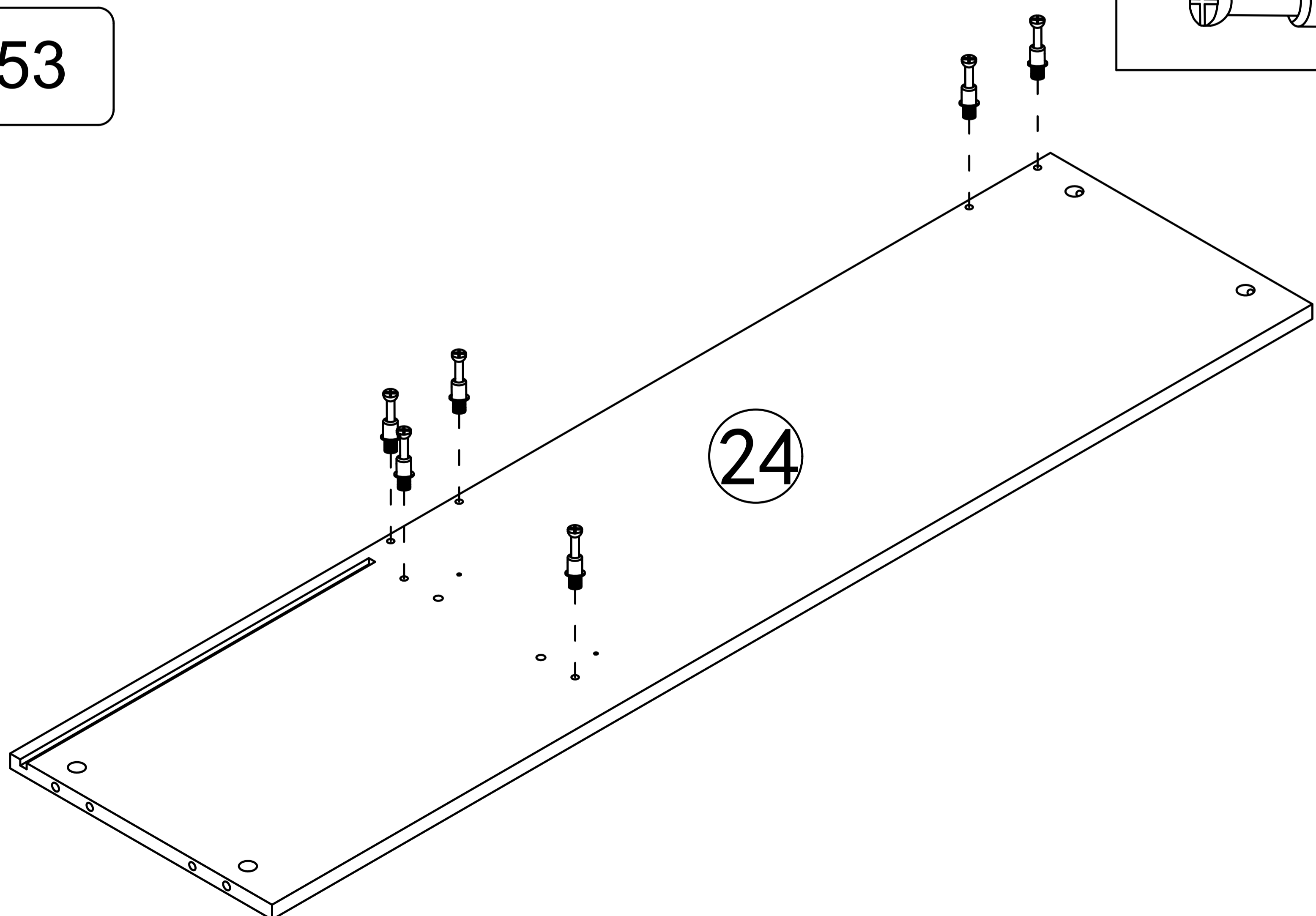
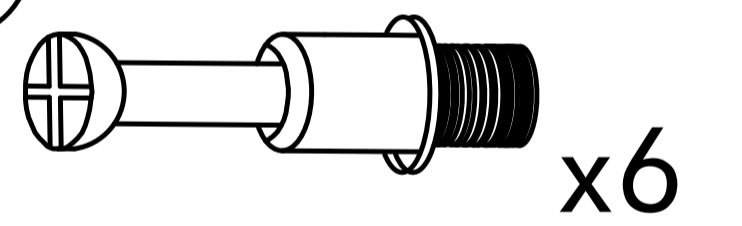
Step 52

C

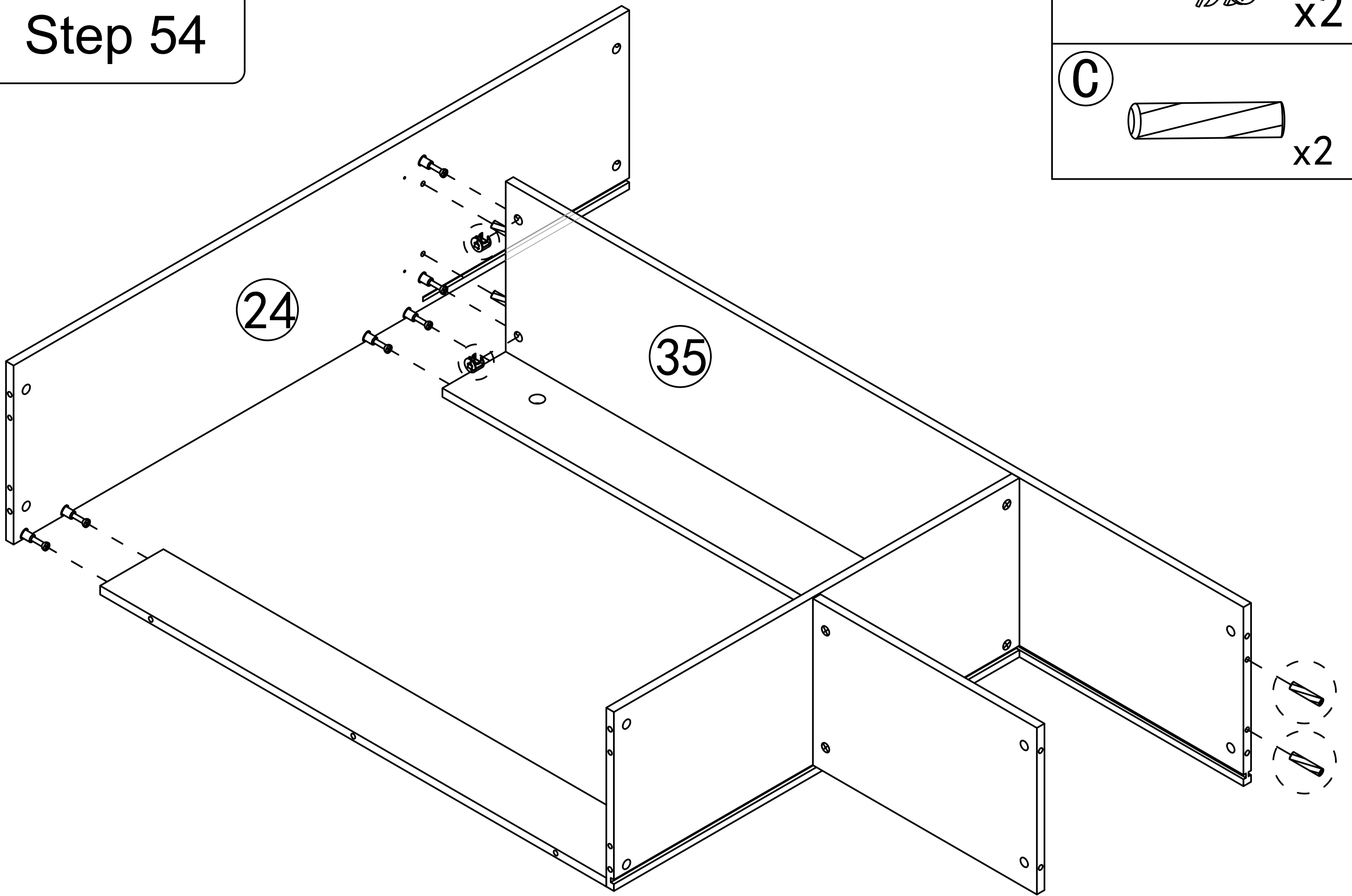


Step 53

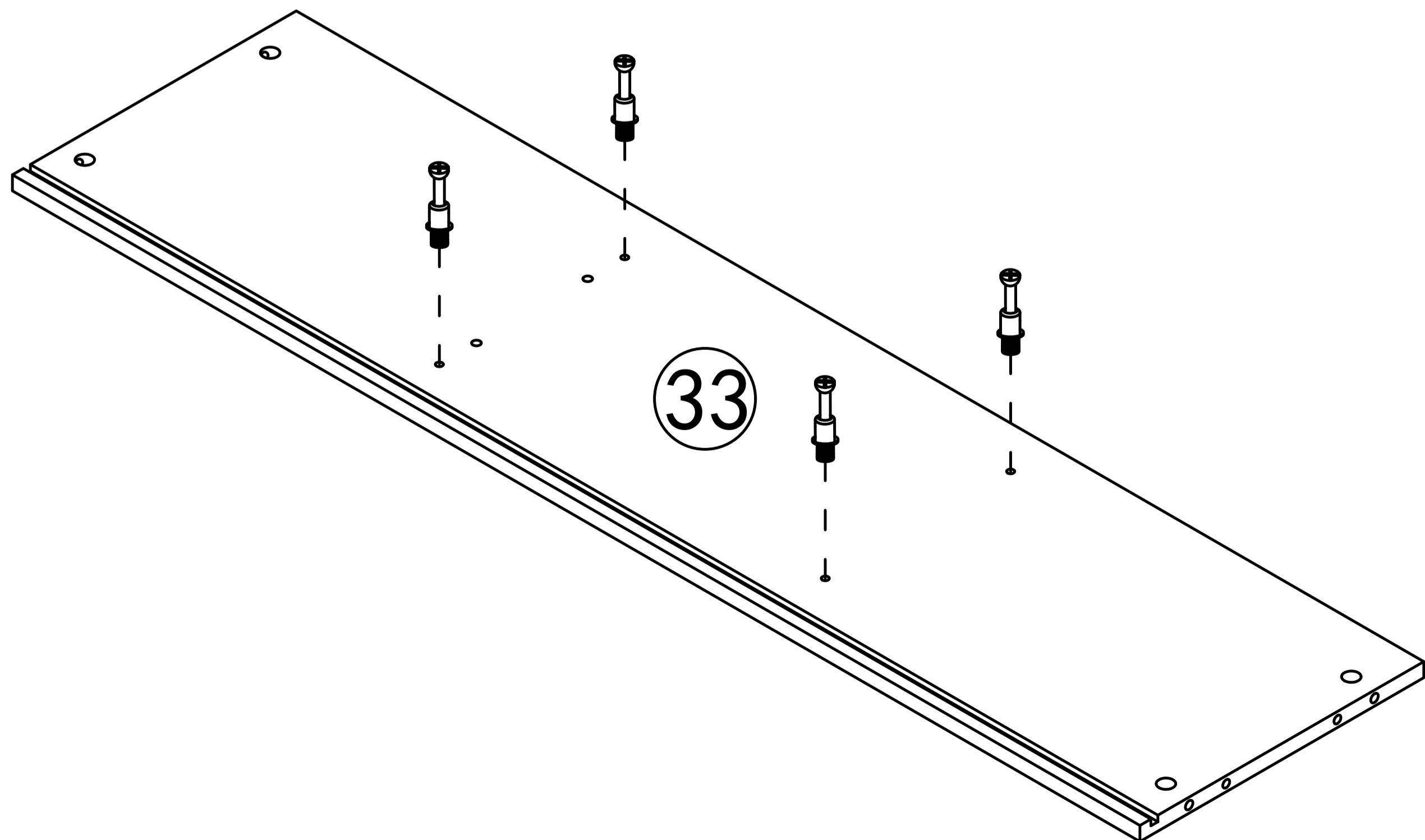
A



Step 54

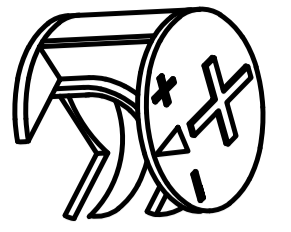


Step 55

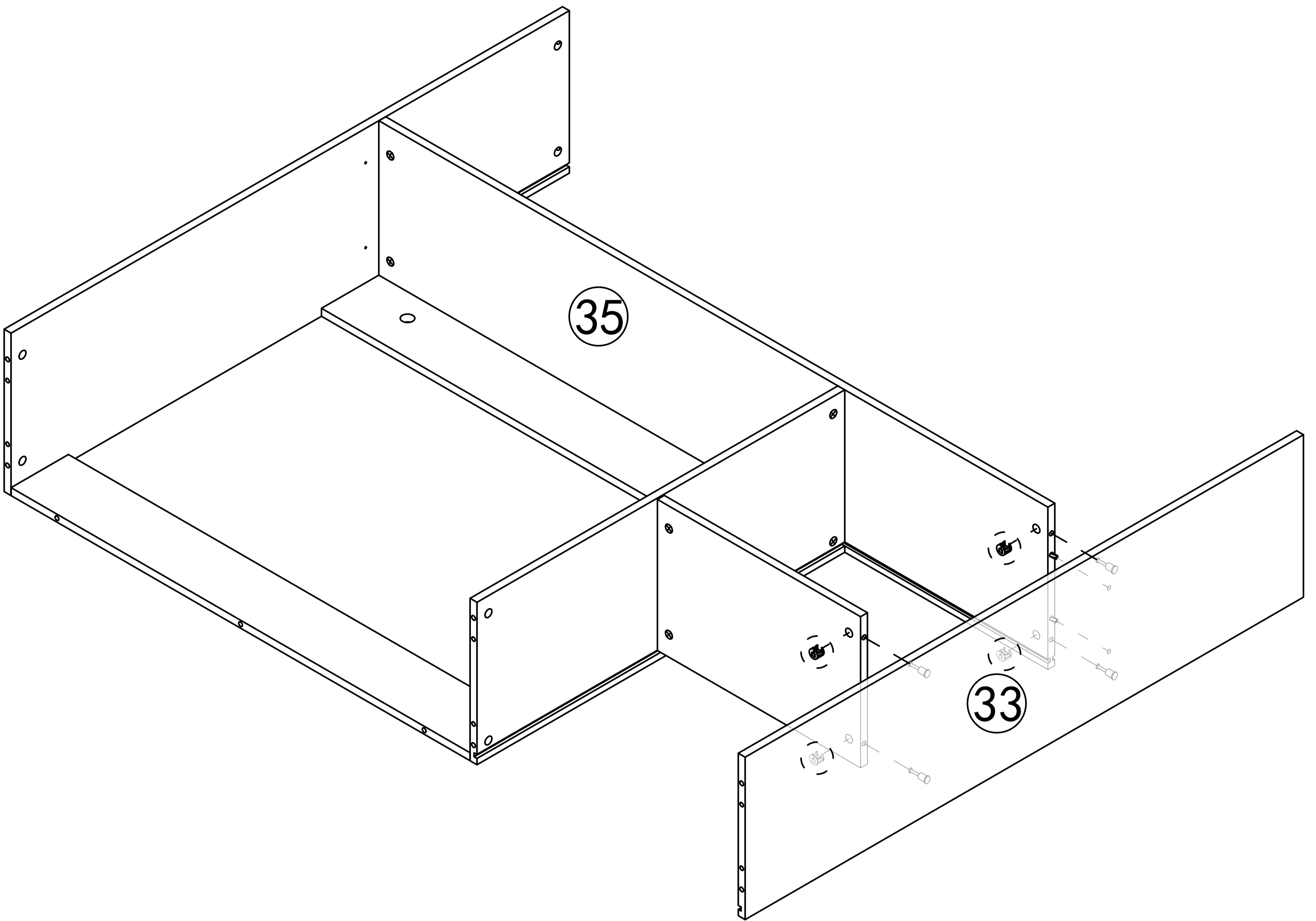


Step 56

B

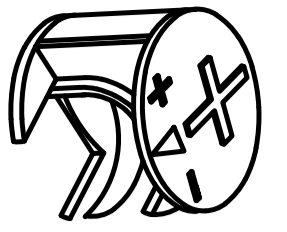


x4

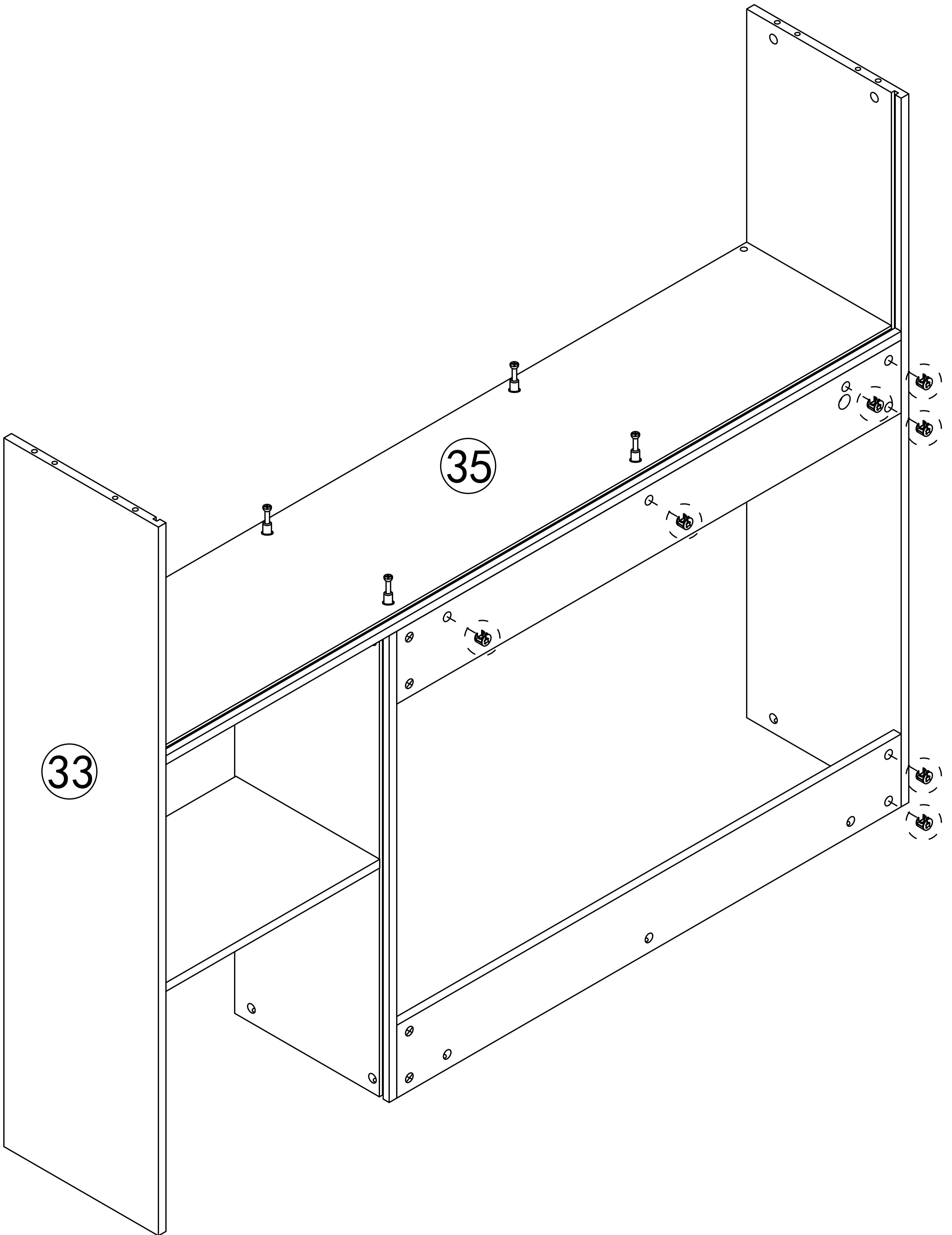


Step 57

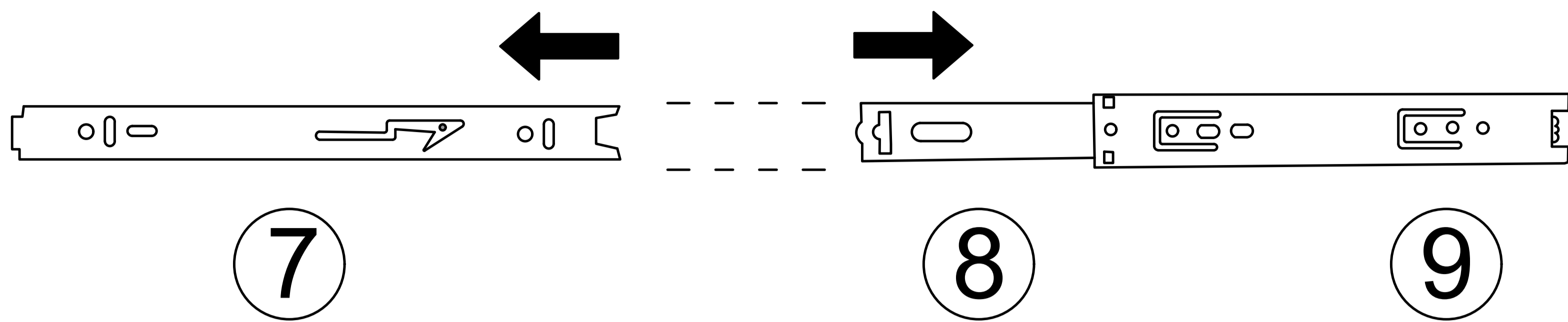
B



x7

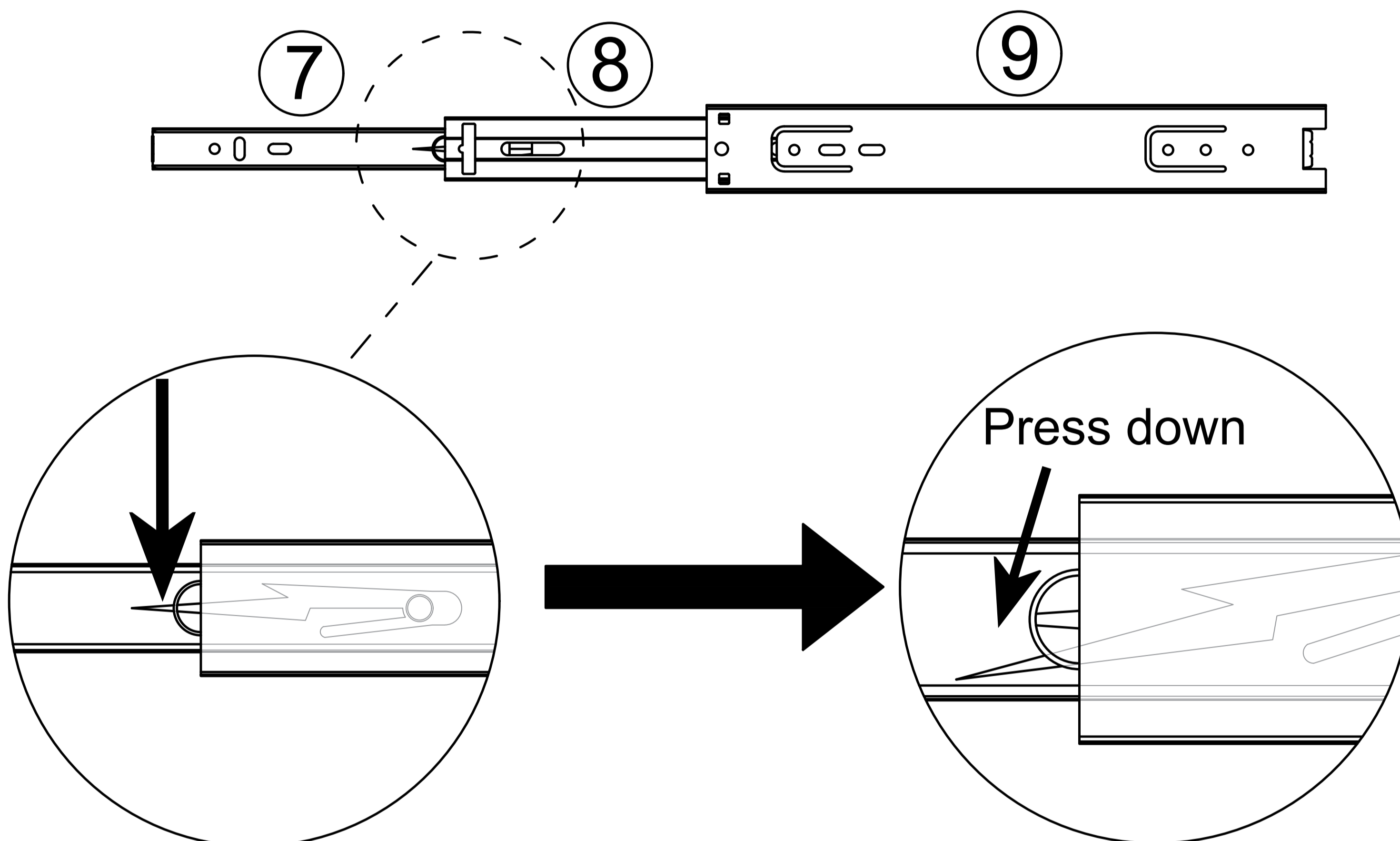


Drawer rail breakdown diagram



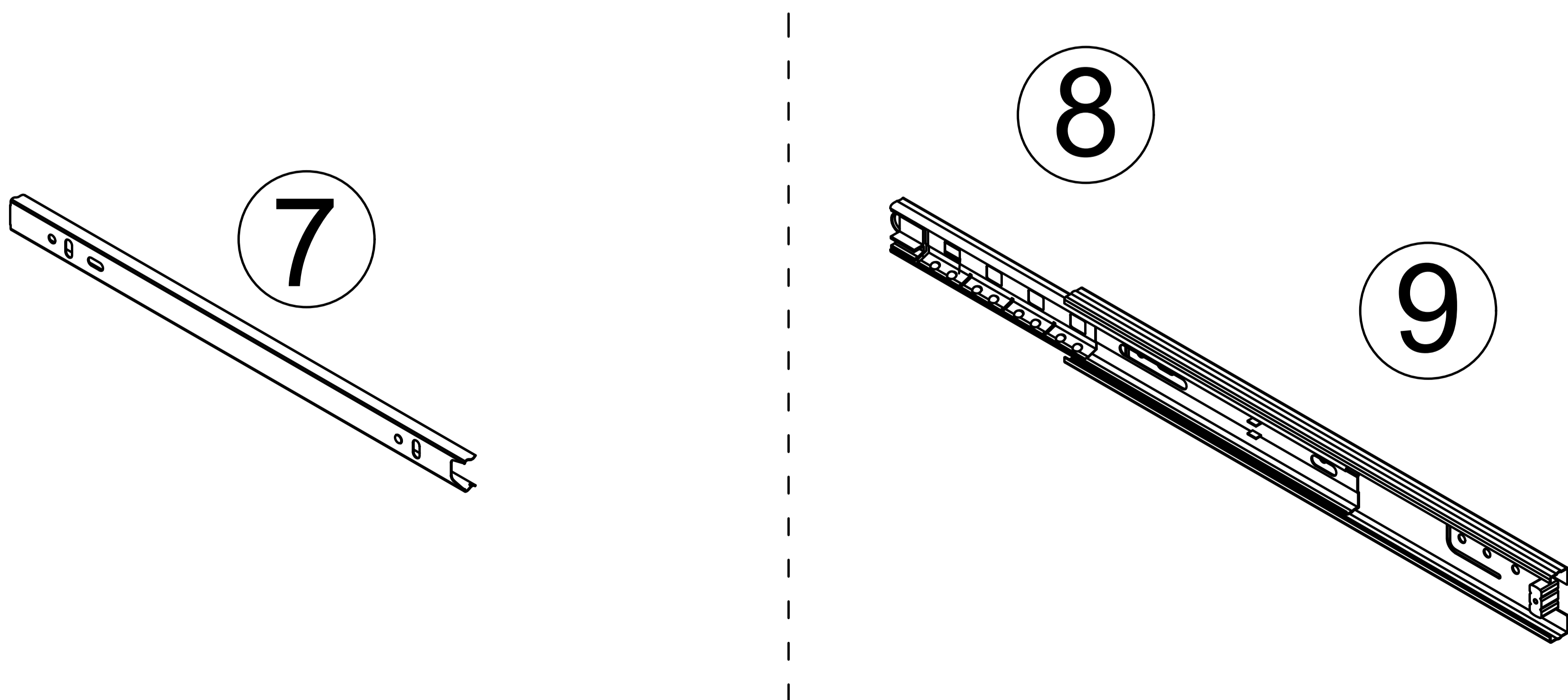
① Dismantle the schematic diagram

Step 1 : Pull the rails apart

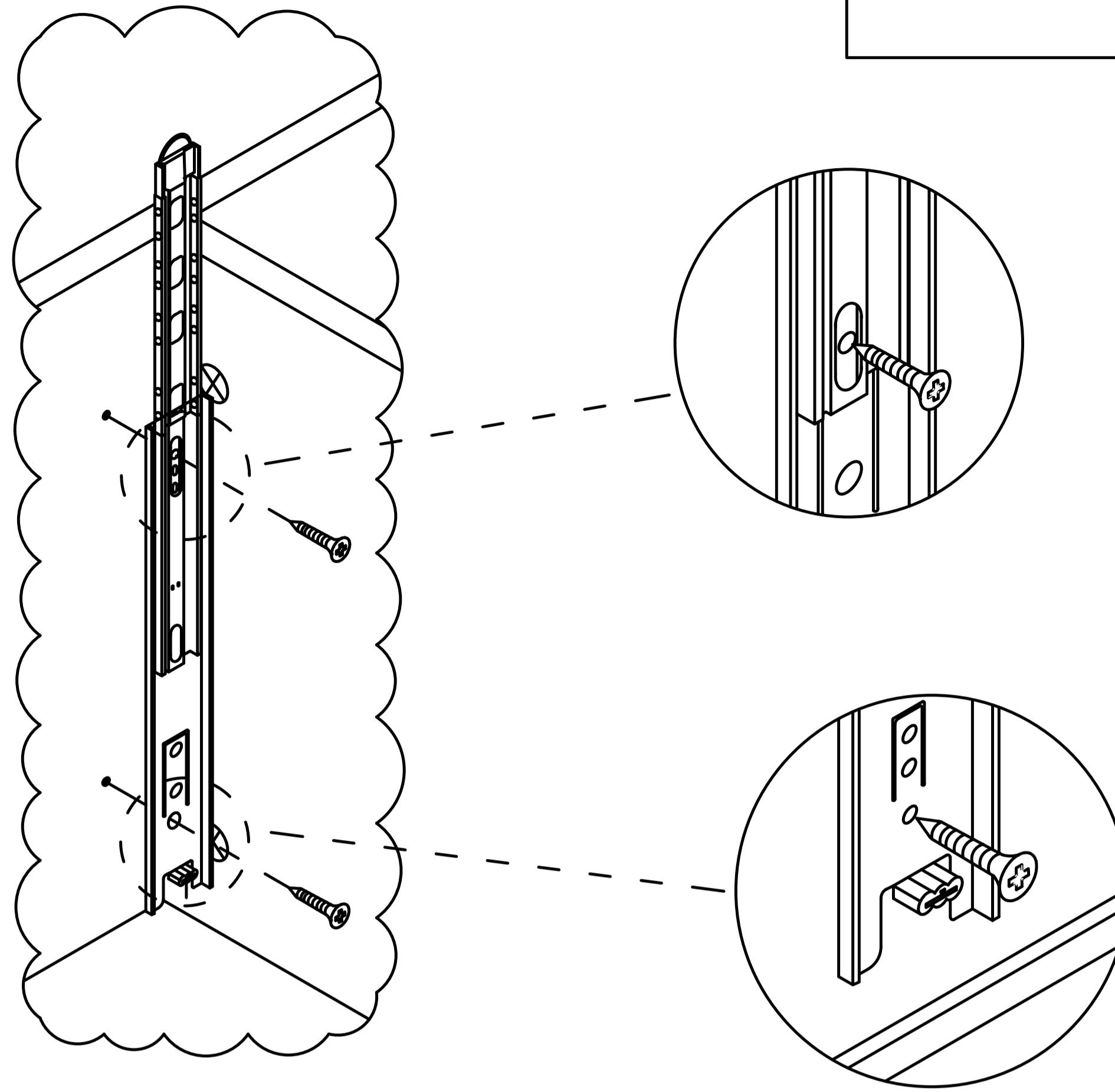
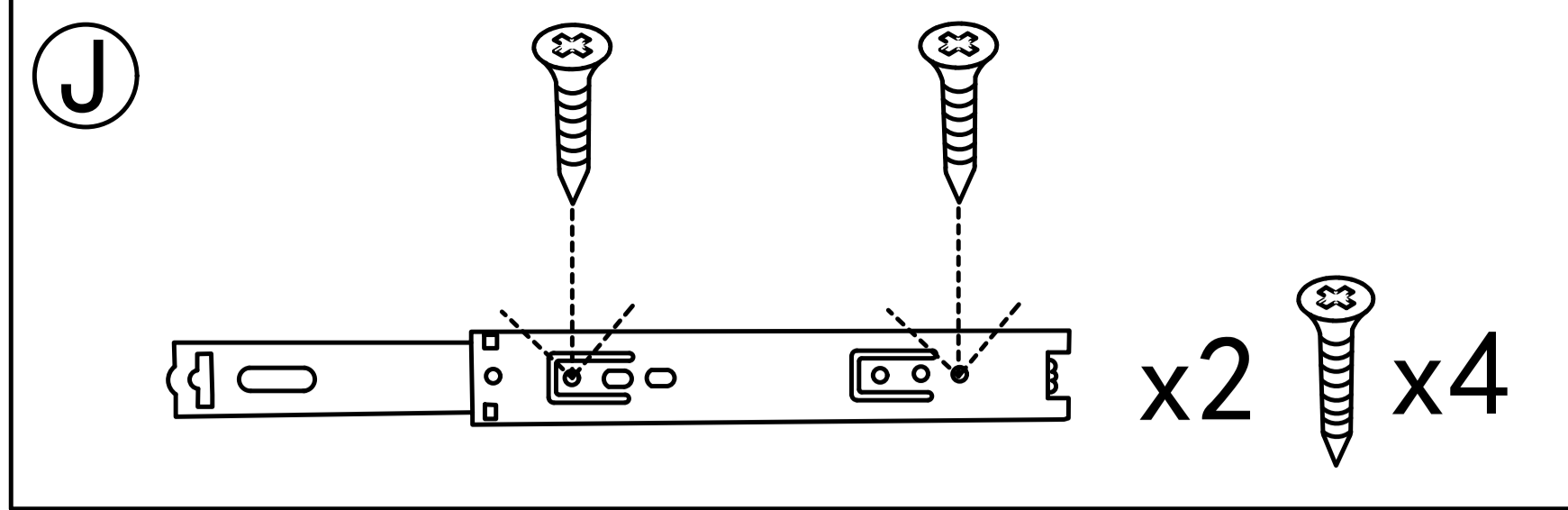


Step 2 : Press the nylon button and pull out ⑦.

Drawer rail decomposition completed schematic diagram

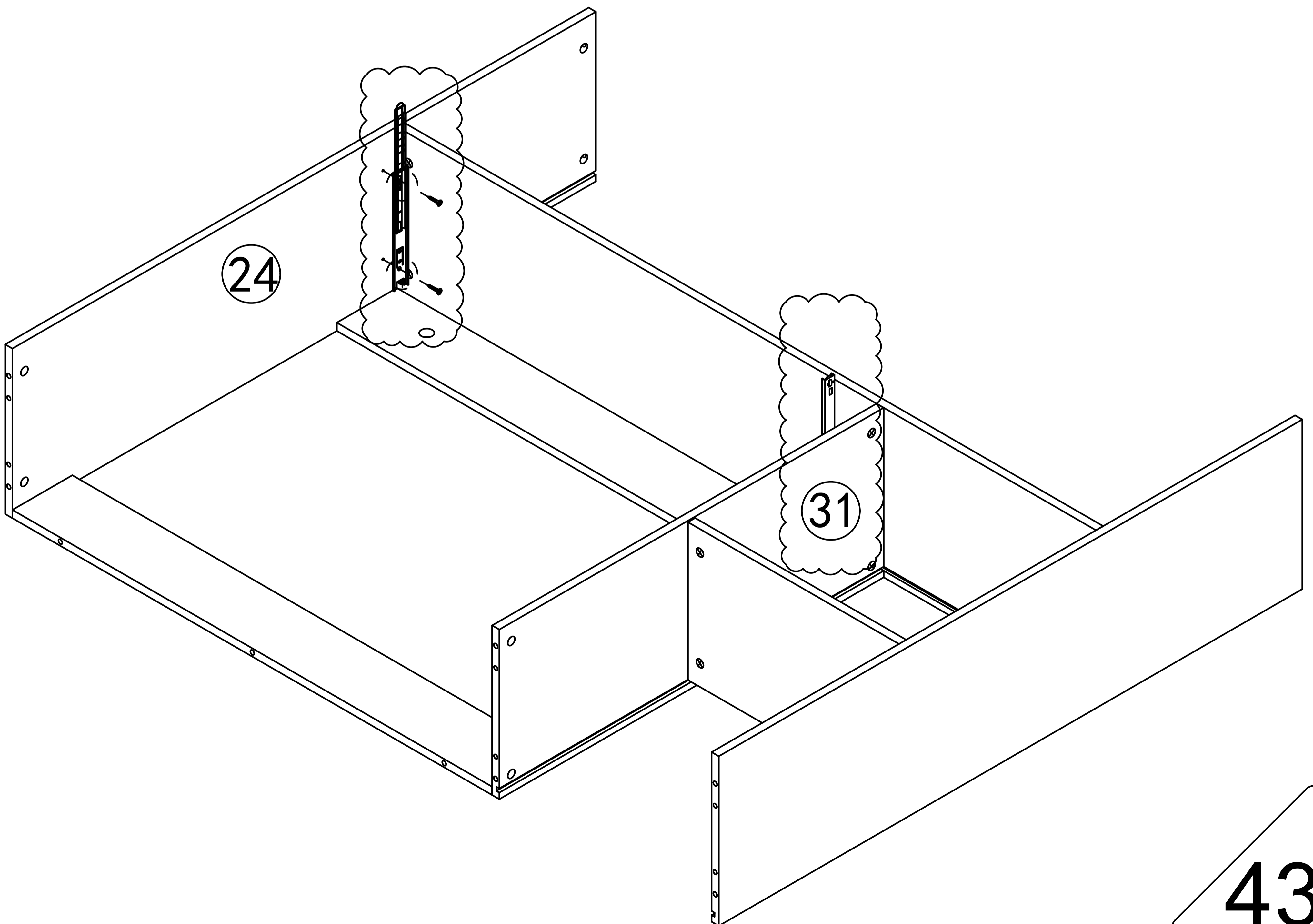


# Step 58

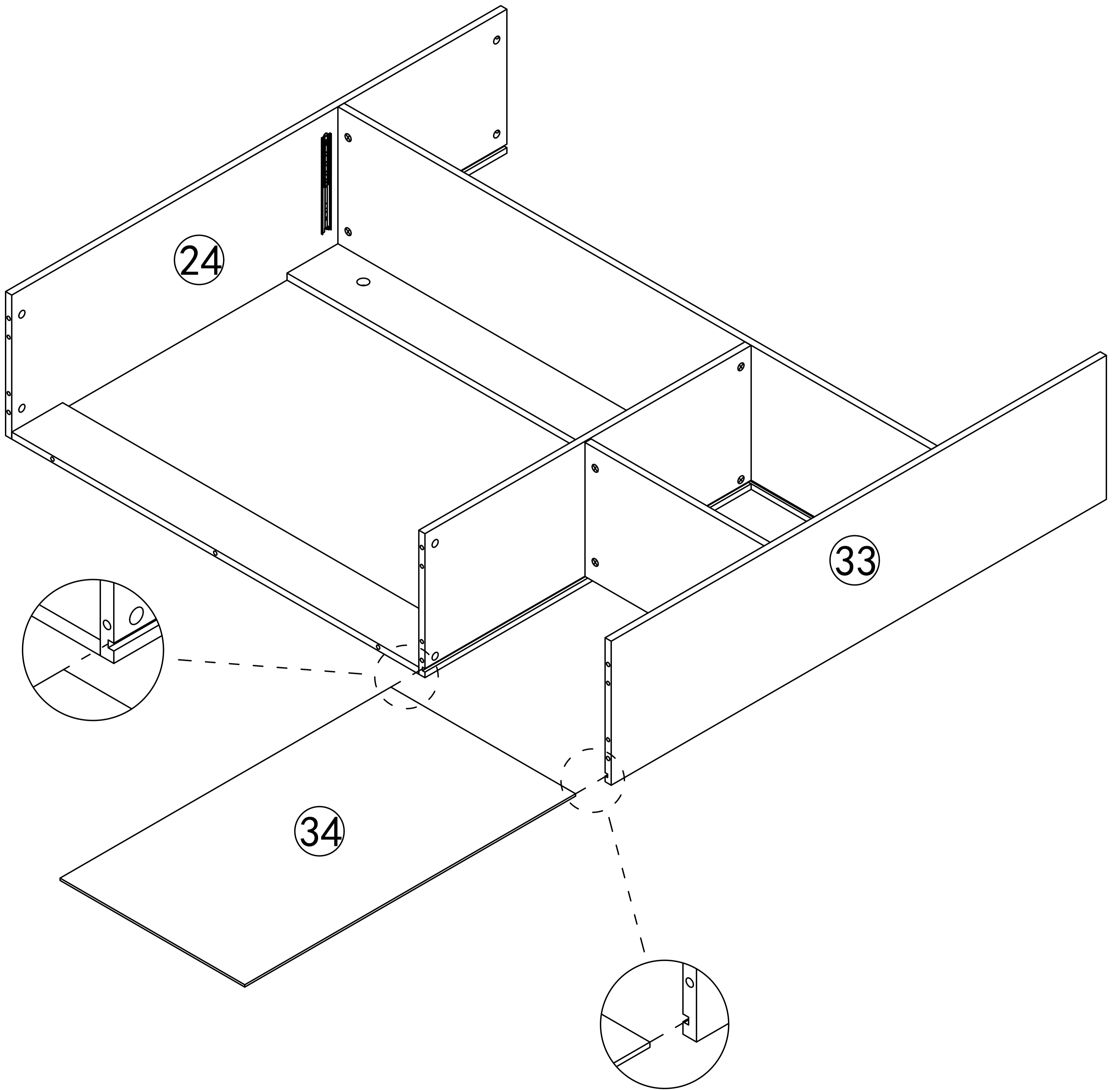


Note: The guide rail of 31 plate is installed according to the same installation method as the guide rail of 24 plate.

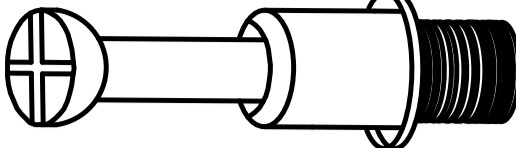

Note: Do not install the guide rail backwards.

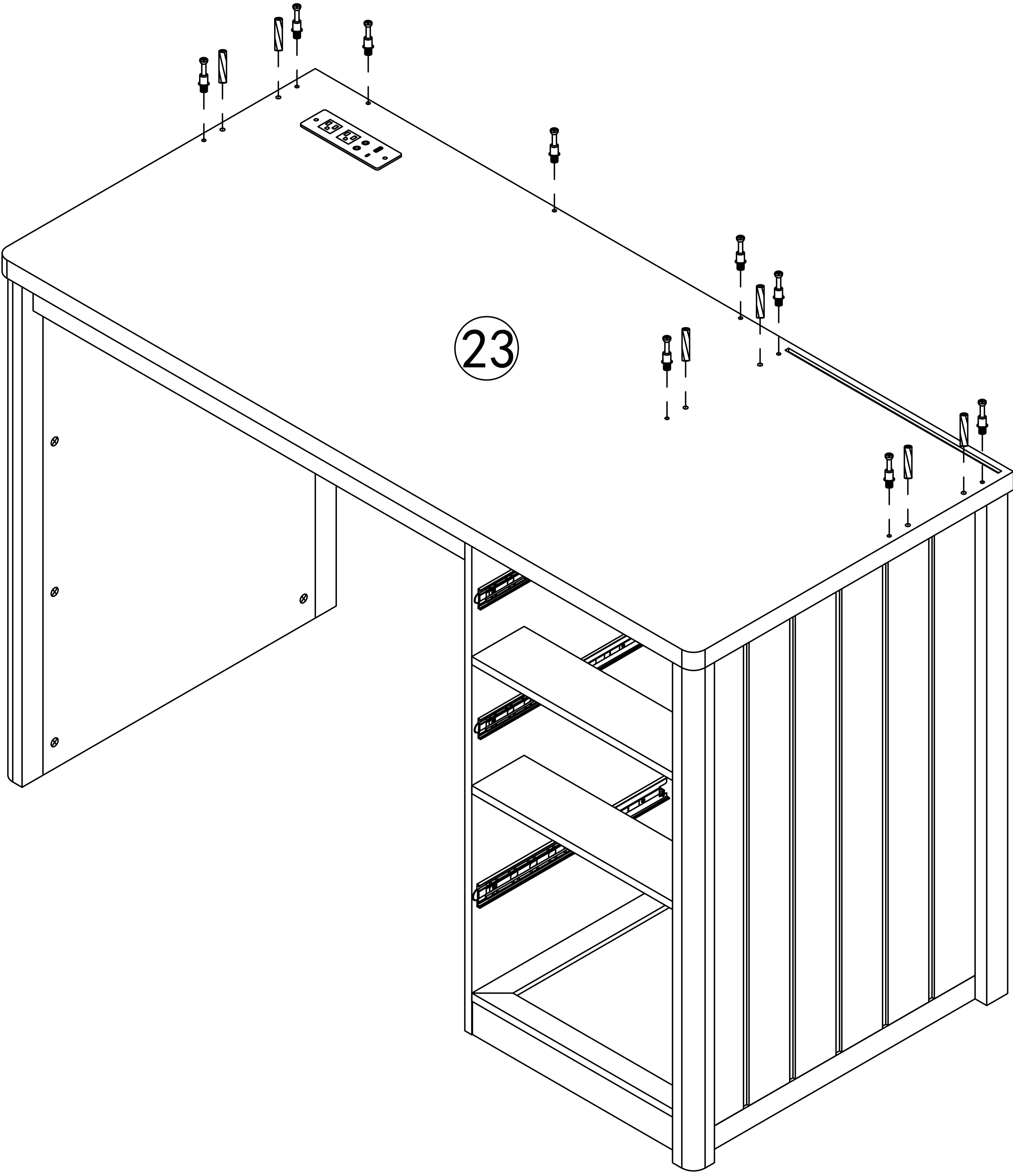


Step 59



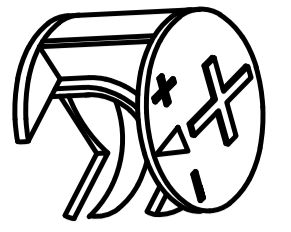
Step 60

- A  x9
- C  x6



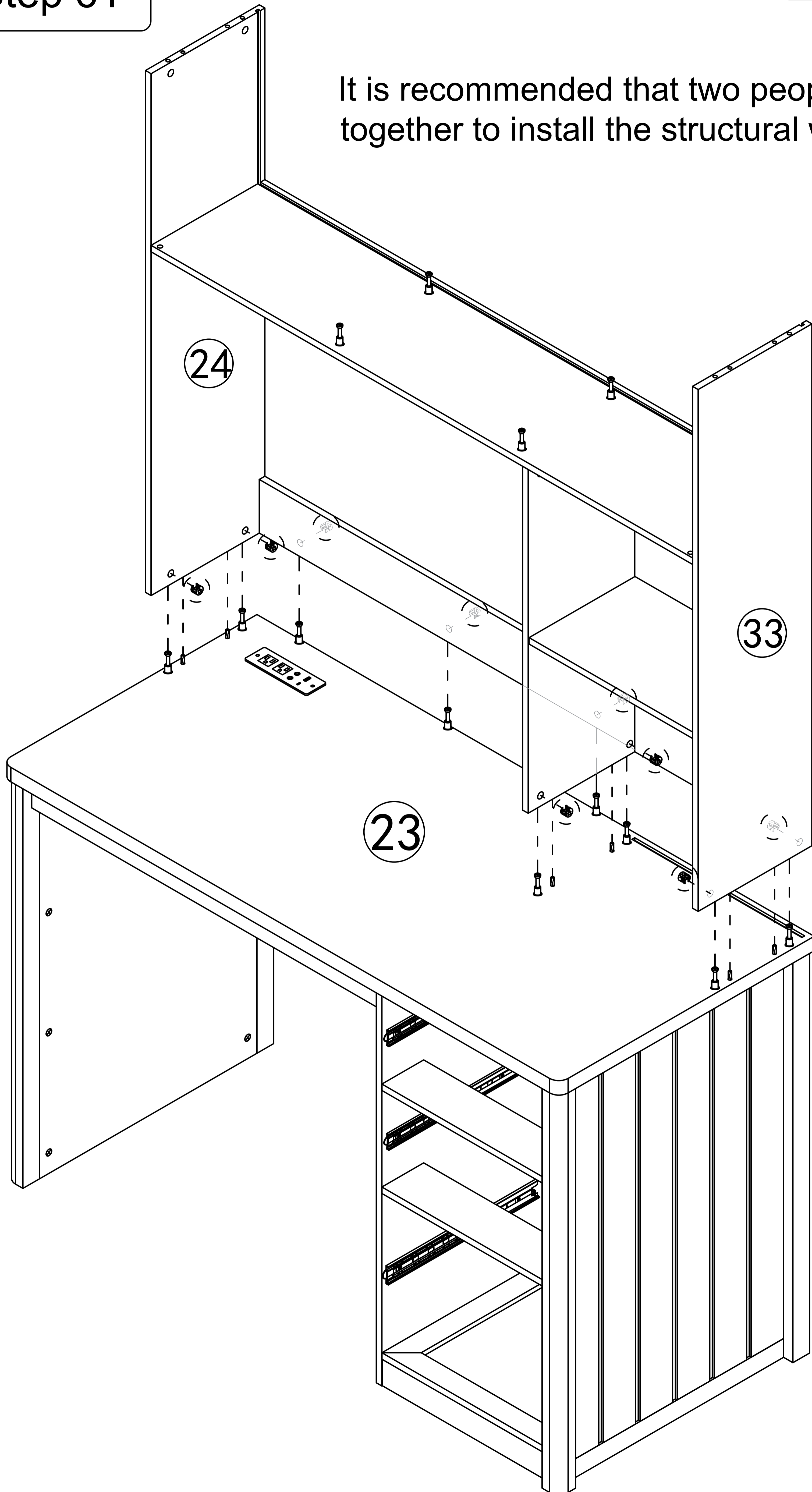
# Step 61

B

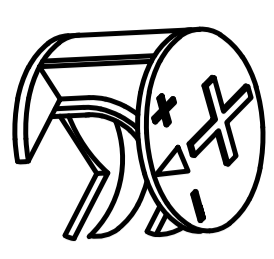


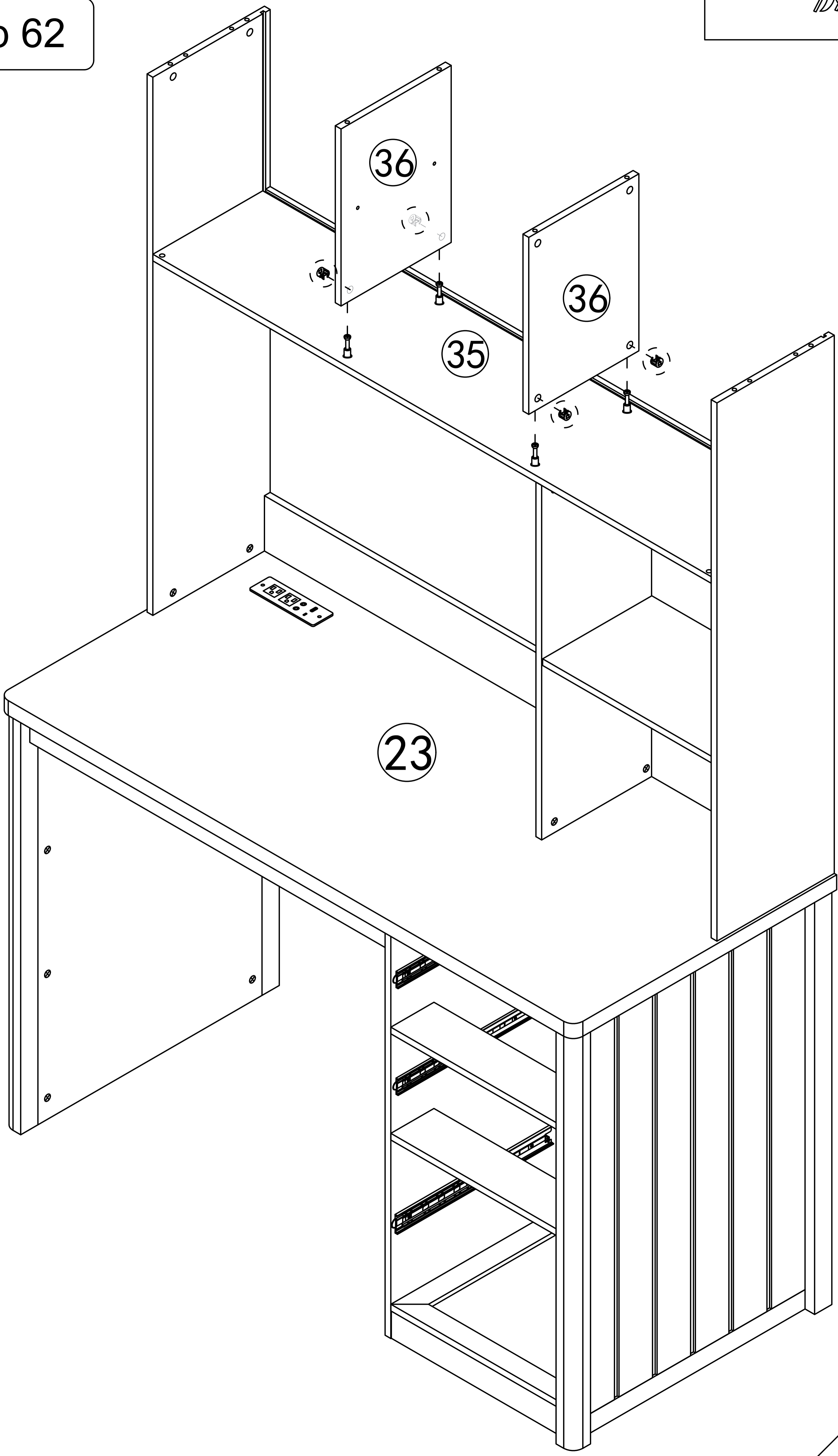
x9

It is recommended that two people work together to install the structural wood panels.

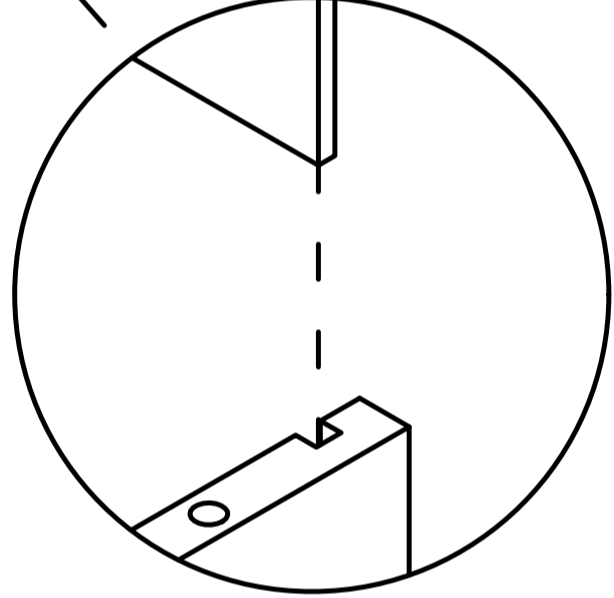
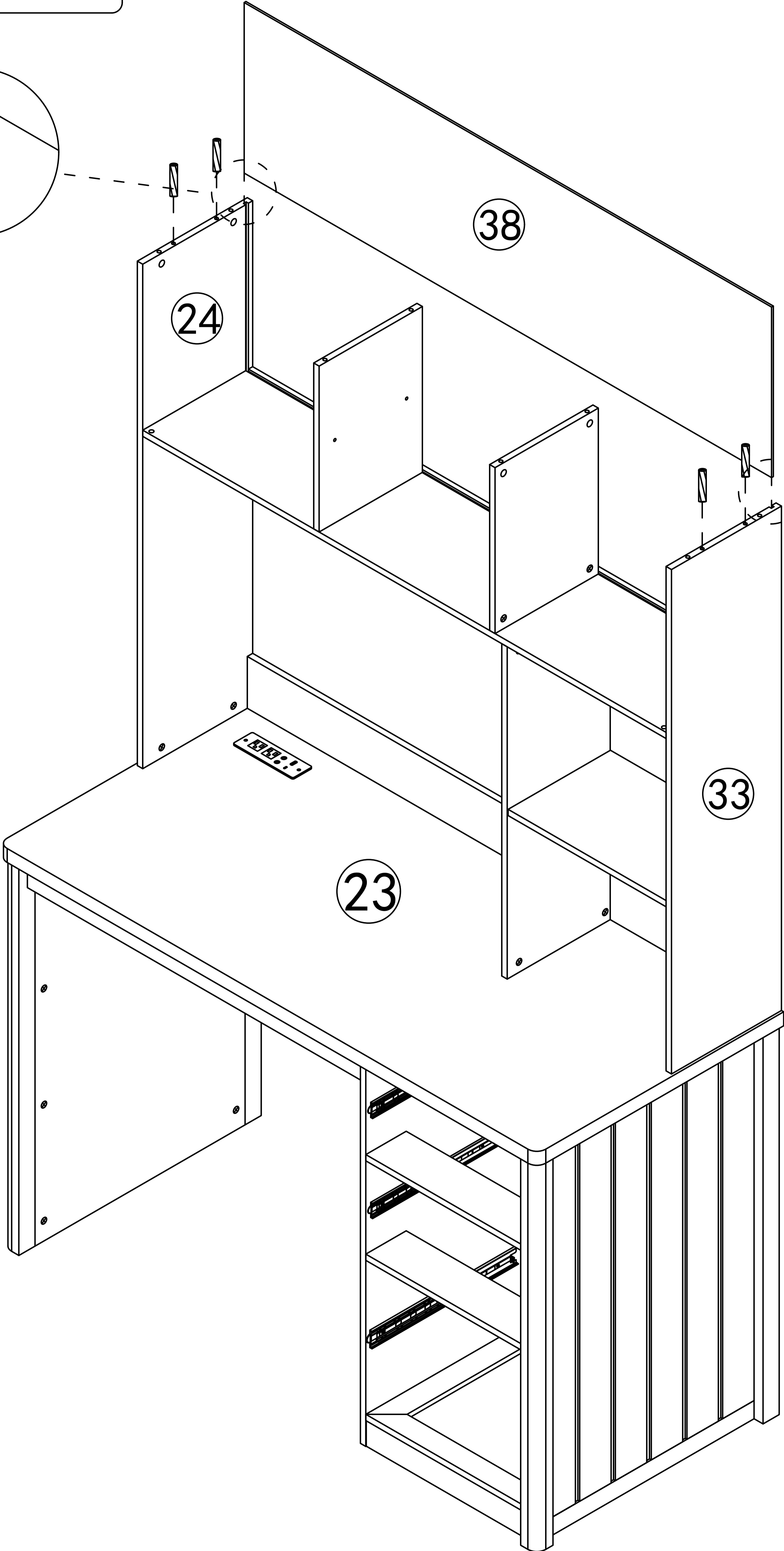
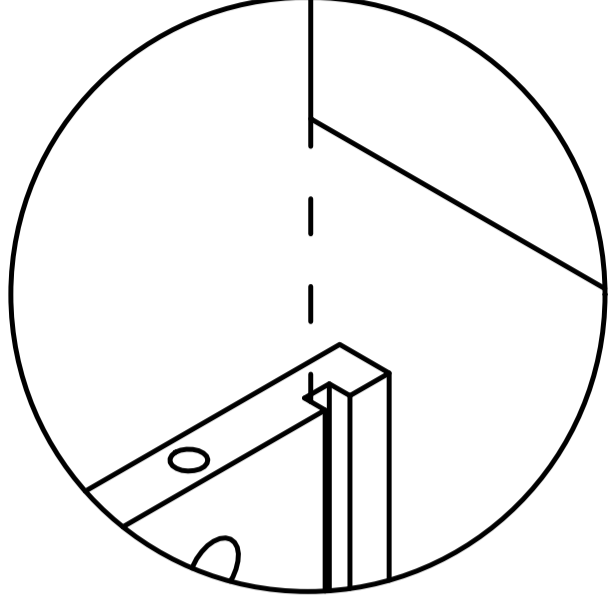
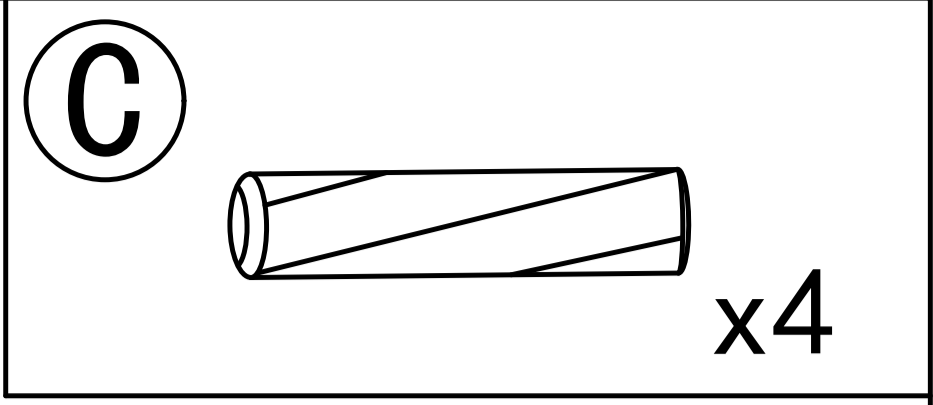


Step 62

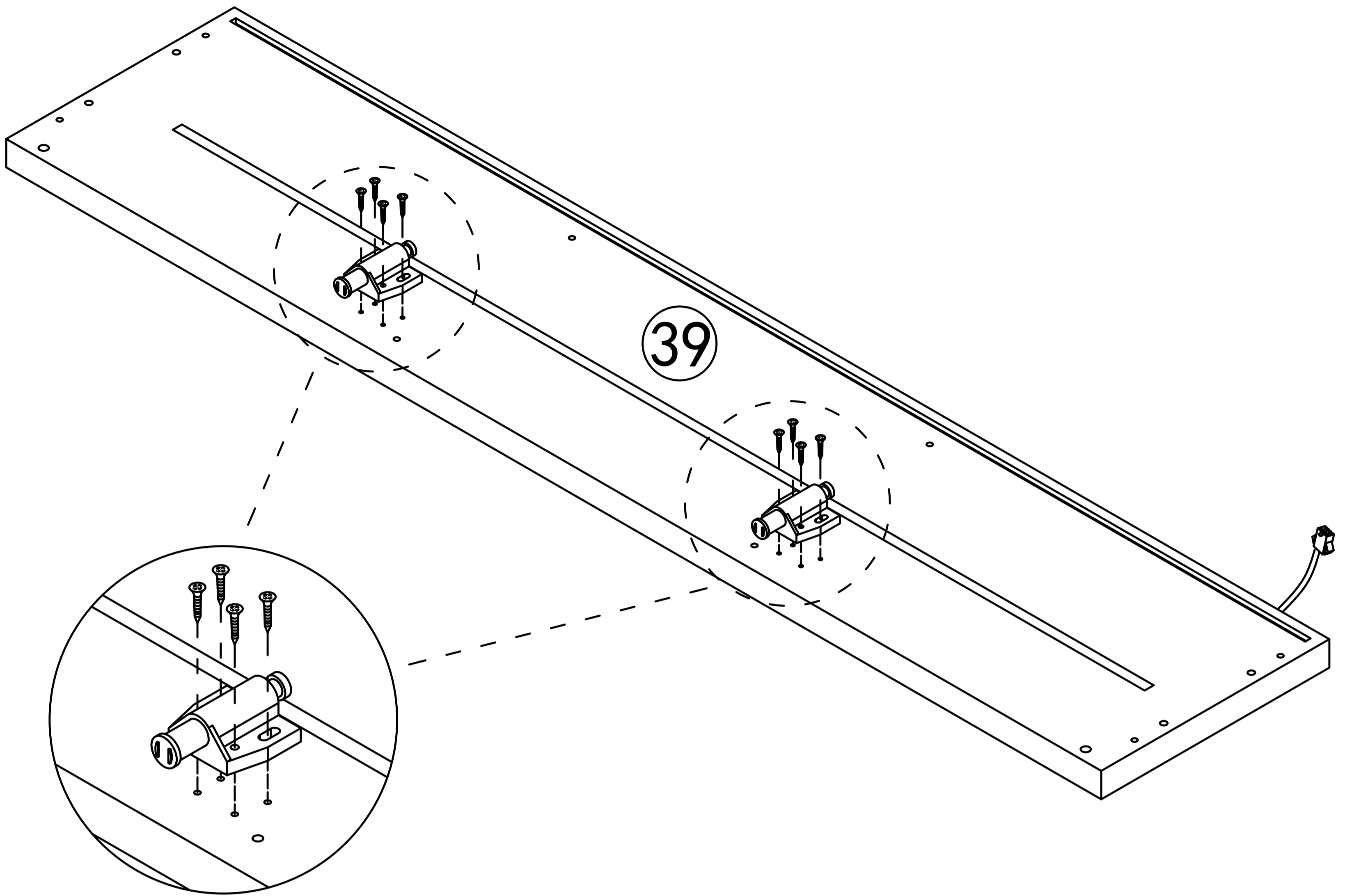
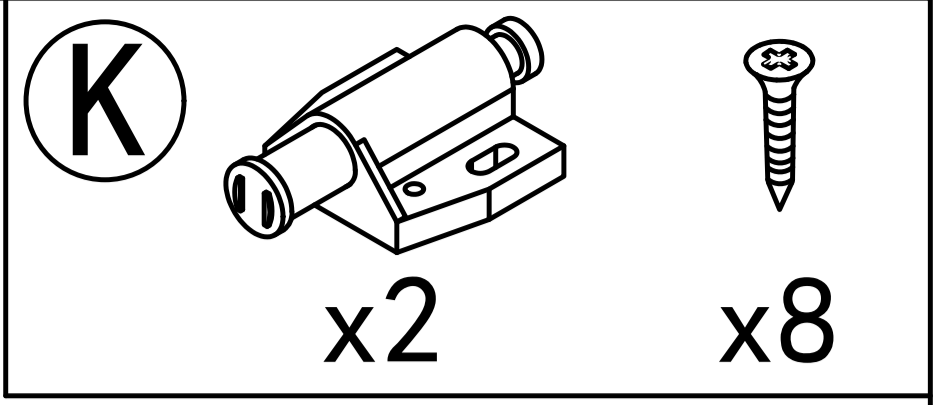
B  x4



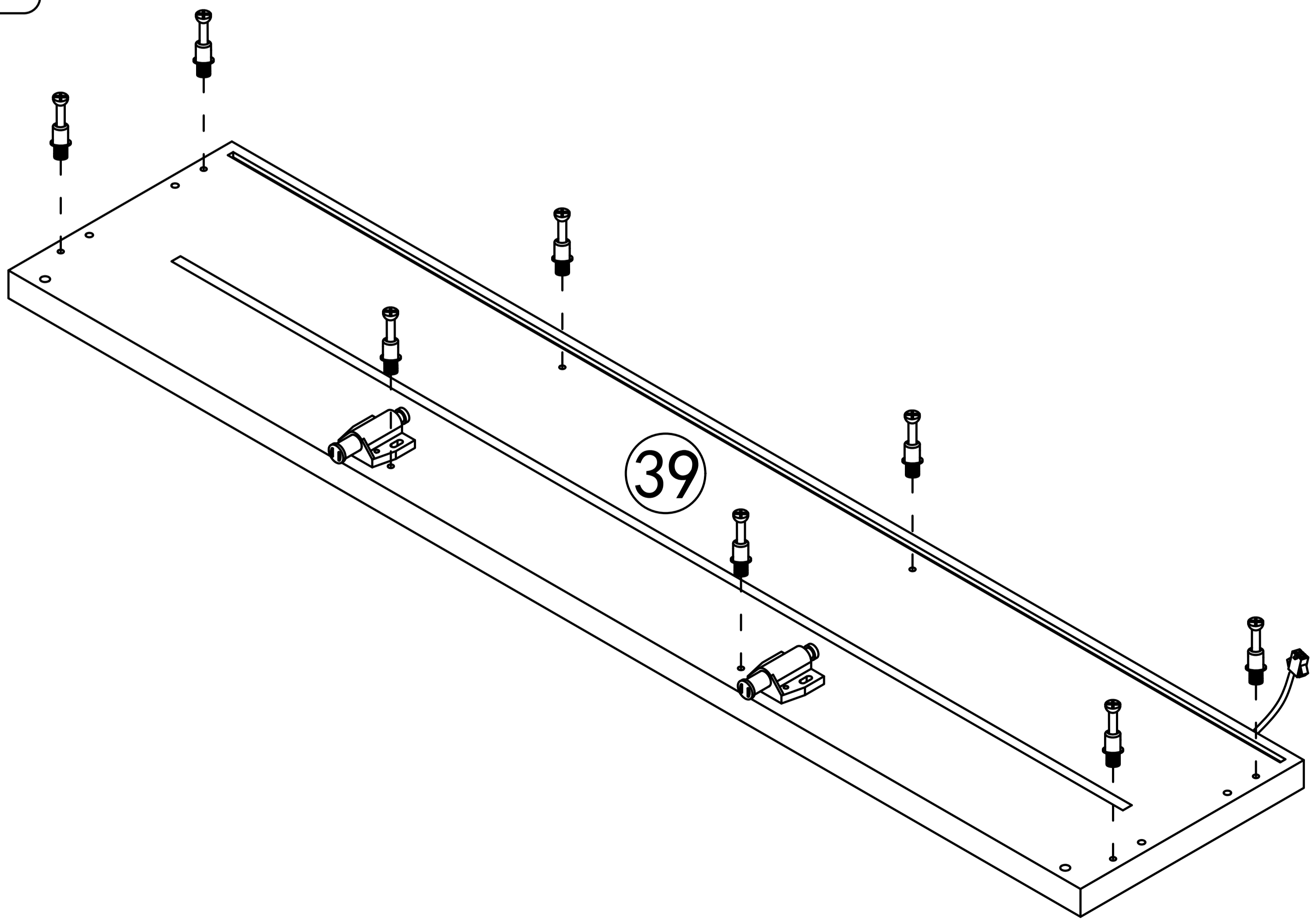
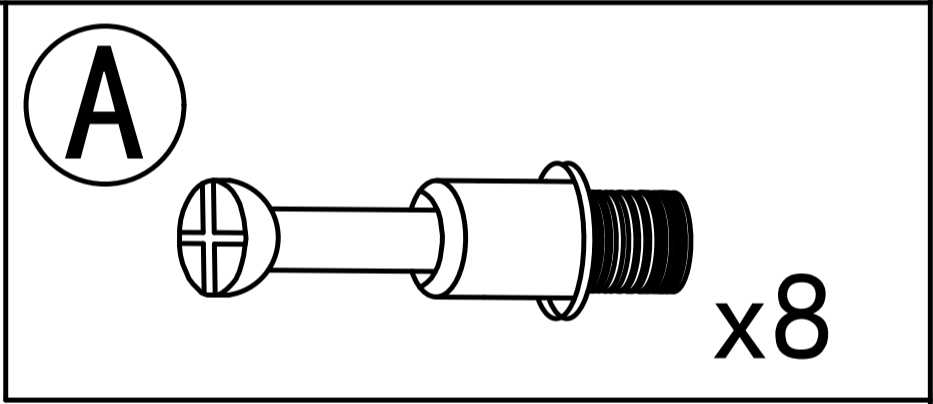
Step 63



Step 64

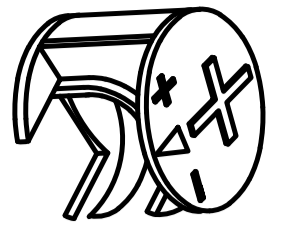


Step 65

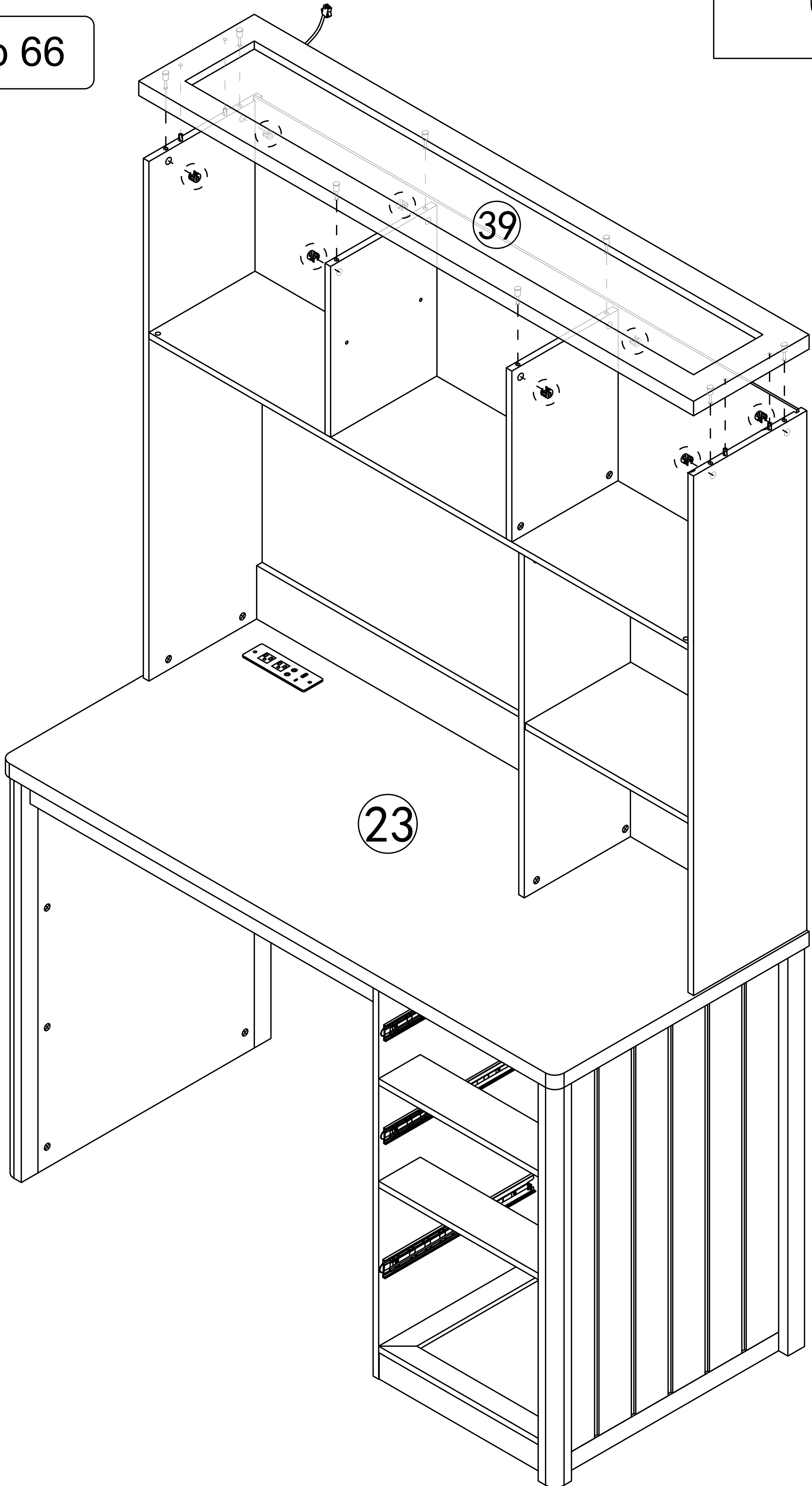


Step 66

B

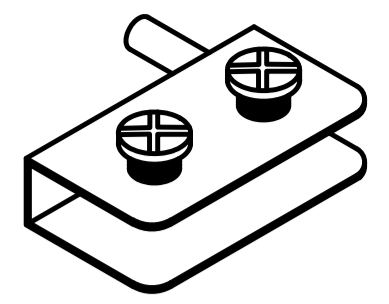


x8



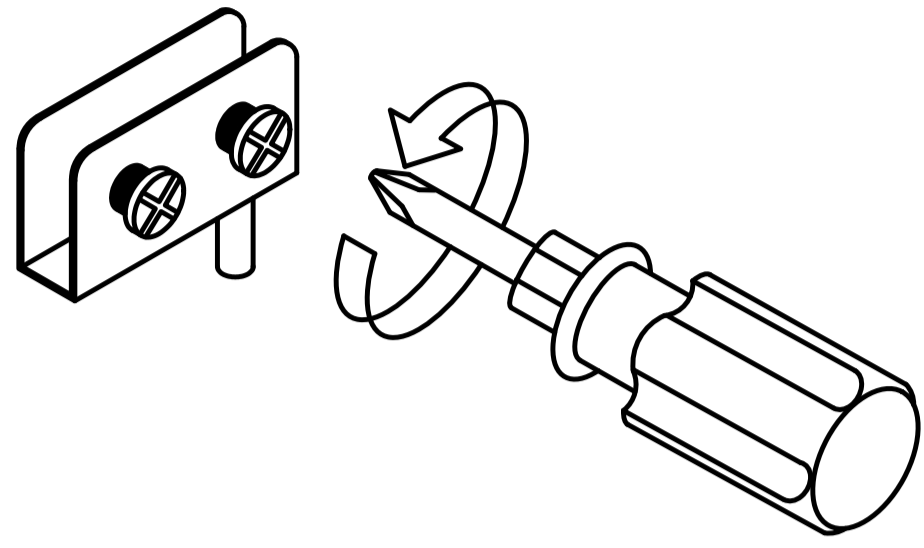
# Step 67

(K)

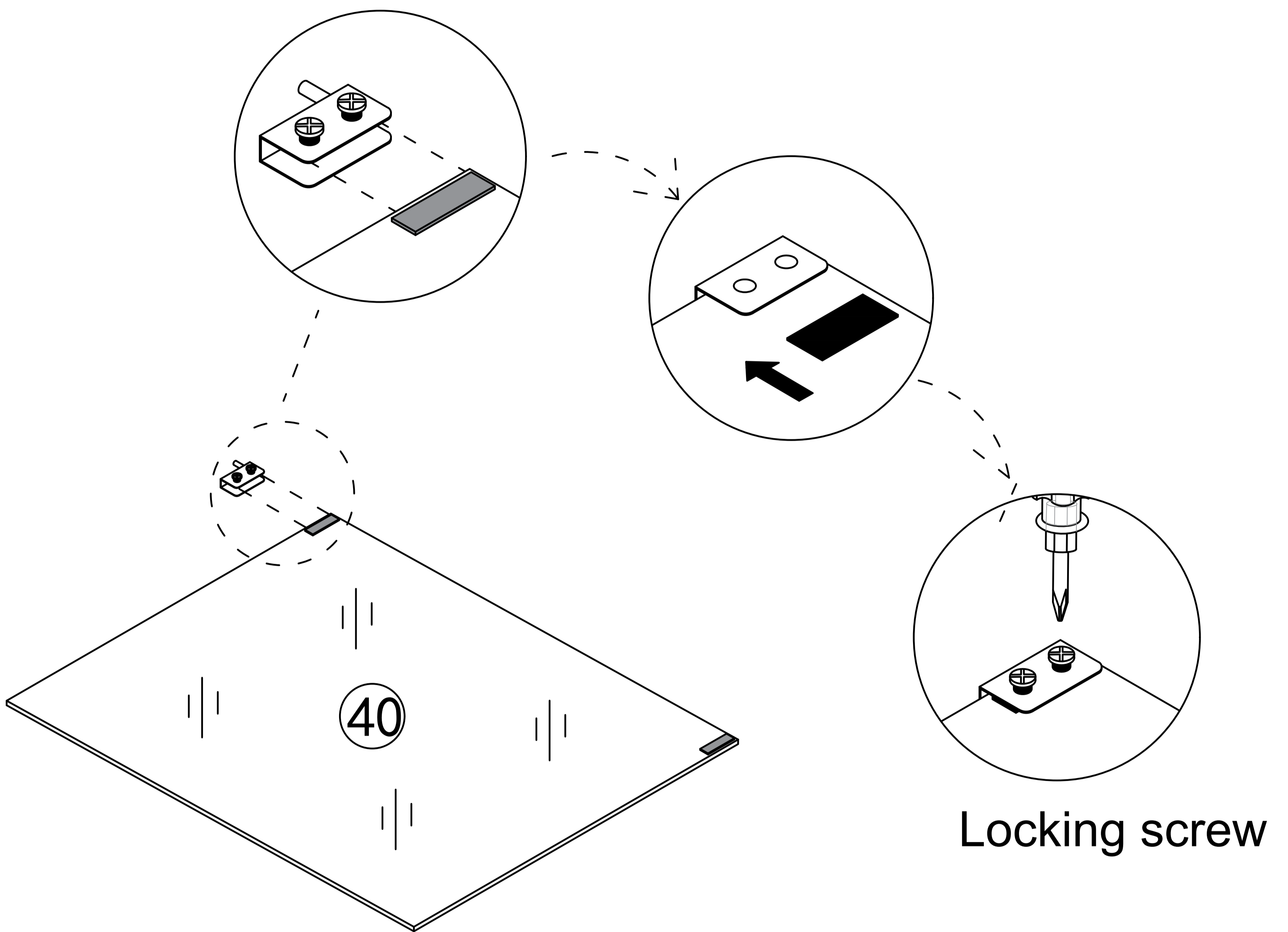
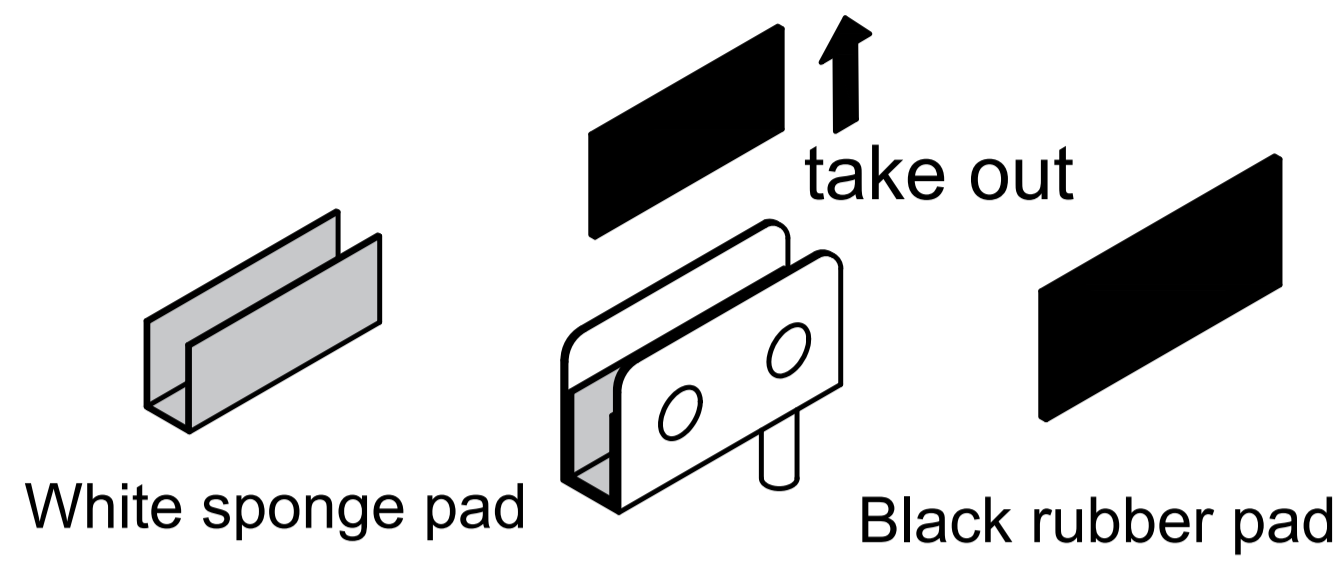


x1

First, completely unscrew the screws on the parts



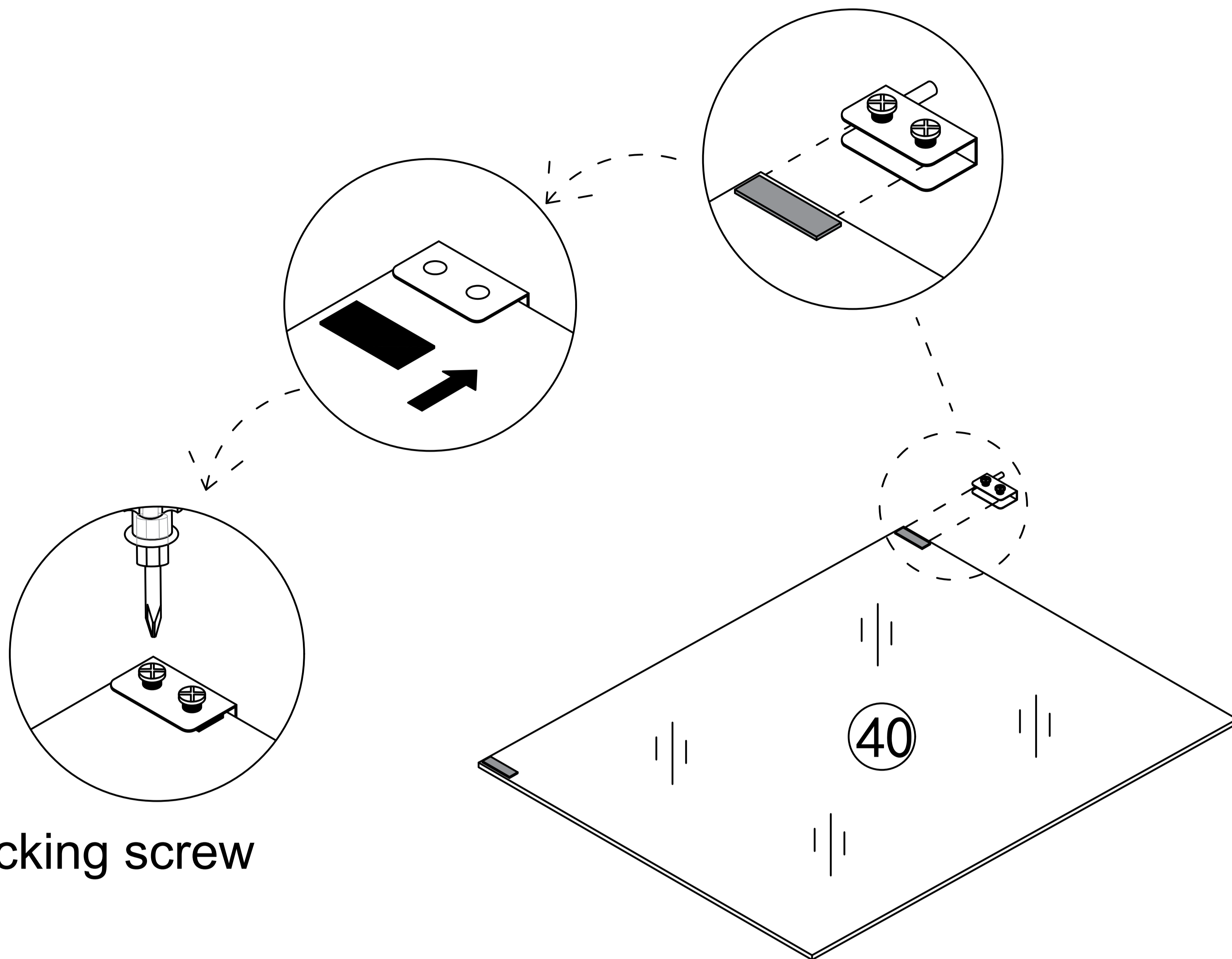
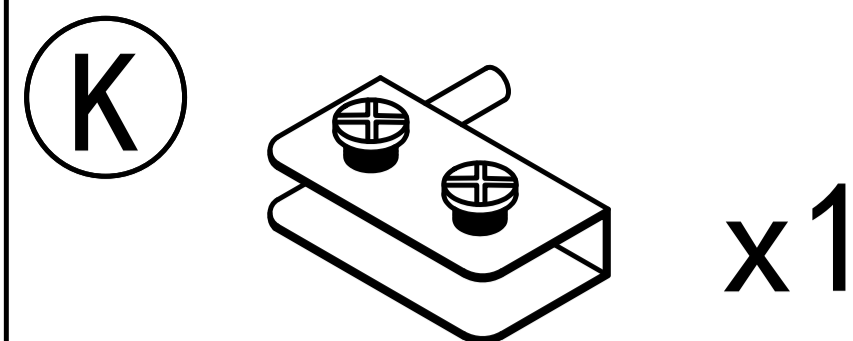
Then take out the black rubber pad from the inside of the part, and the white sponge remains unchanged inside the part.



Pay attention to the direction of the door hinge, rotate the screws to compress the black gasket, and do not place it in the opposite direction

Place the black gasket on the side where the screws are installed

## Step 68

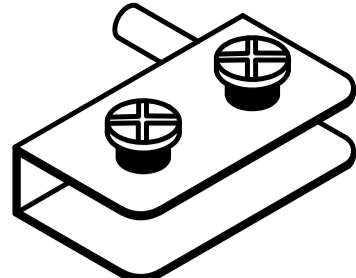
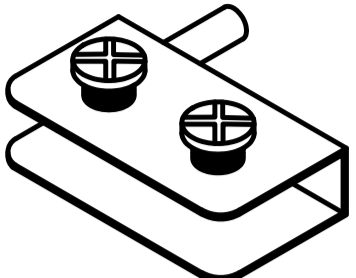
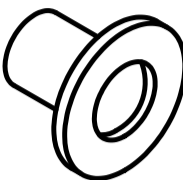


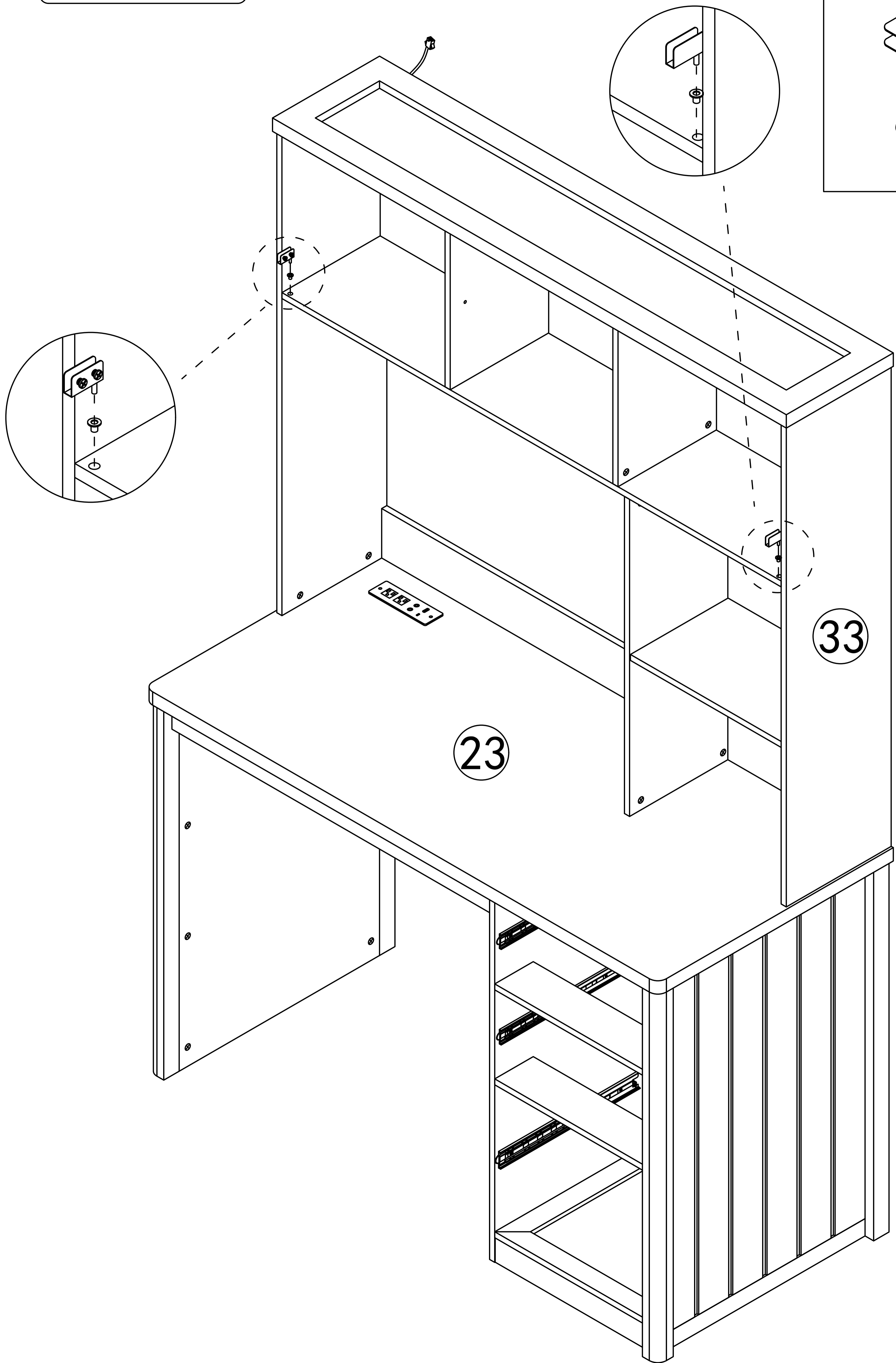
Locking screw

Pay attention to the direction of the door hinge, rotate the screws to compress the black gasket, and do not place it in the opposite direction

Place the black gasket on the side where the screws are installed

Step 69

- (K)  x1
-  x1
-  x2



# Step 70

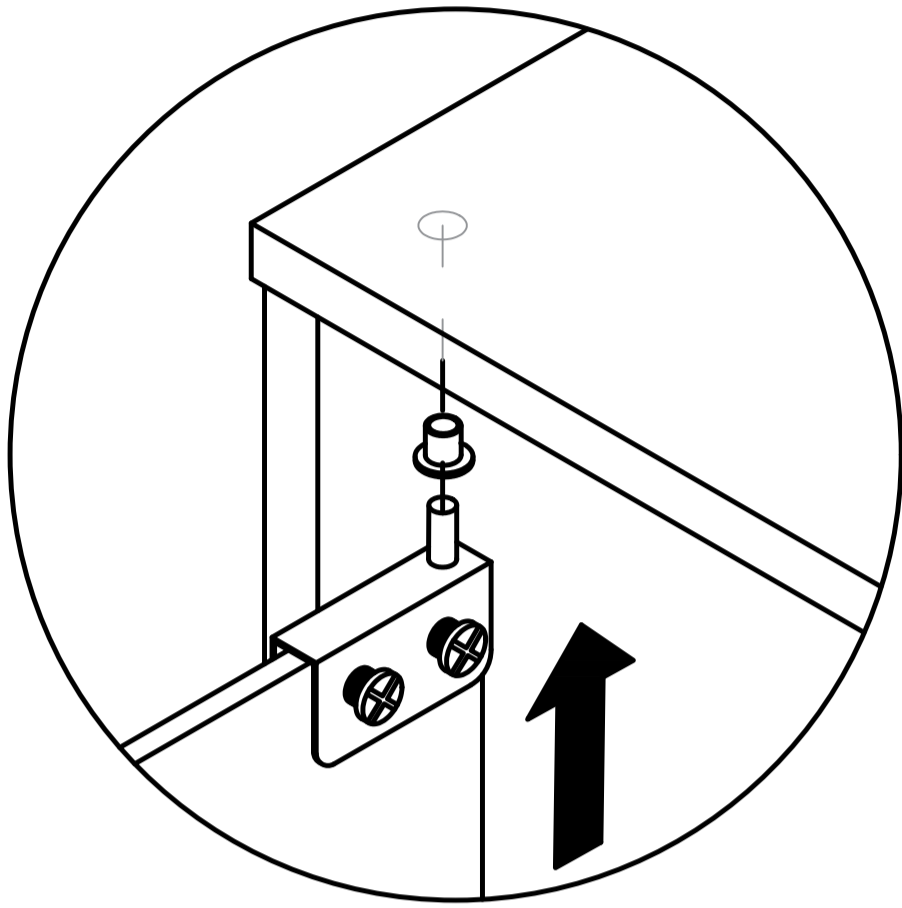
Pay attention to the direction of the door hinge during installation

(K)

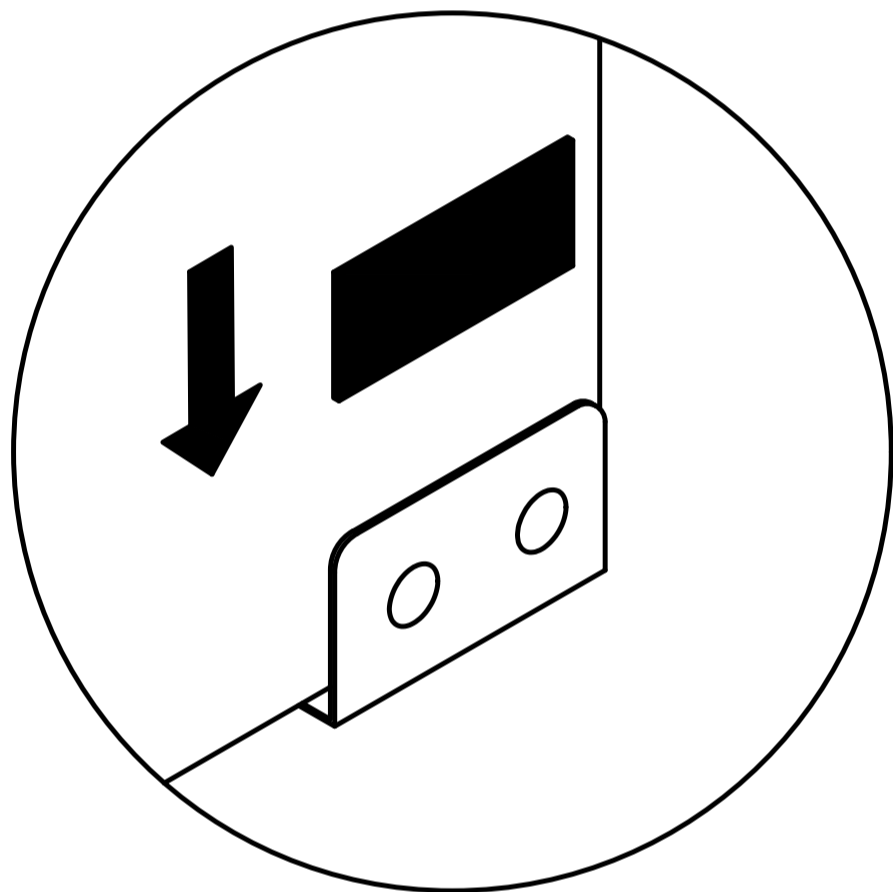


x2

When installing a glass door, it is recommended to have two people install it to avoid the glass door colliding or hitting oneself.

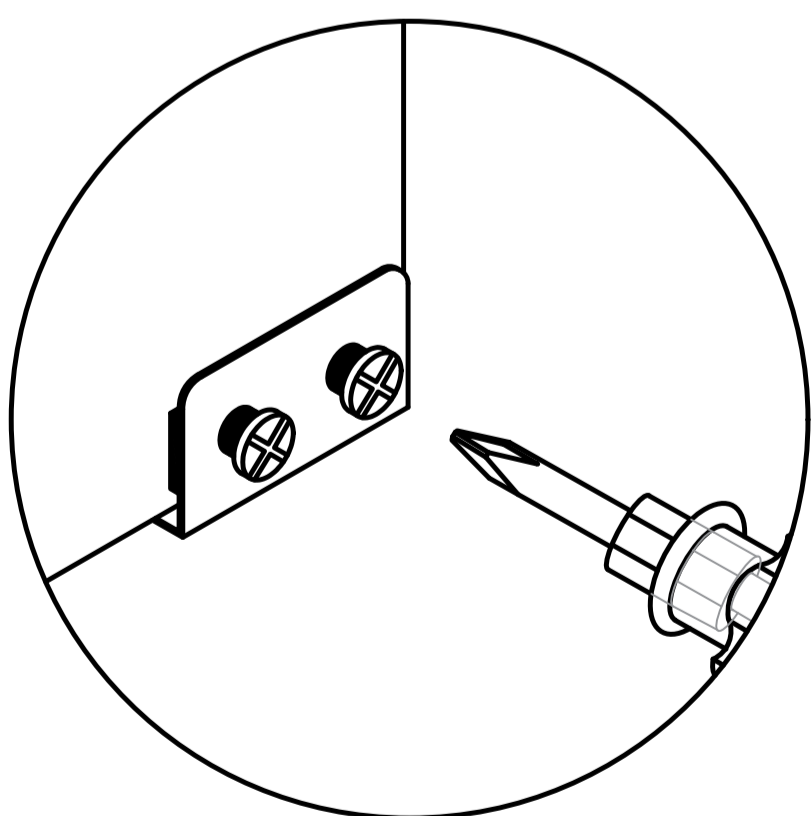


first



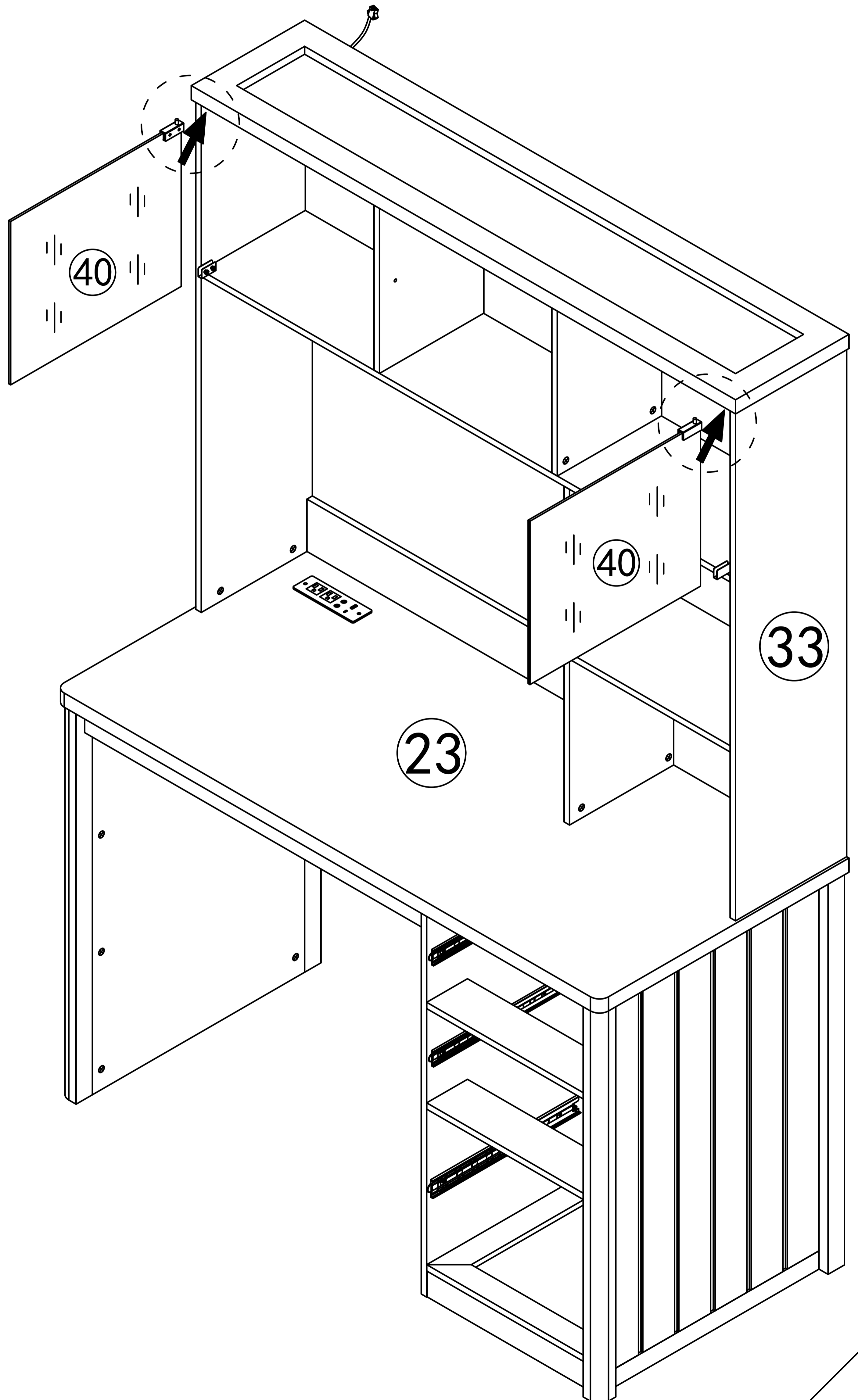
second

After installing the glass door, place the black gasket on the side where the screws are installed

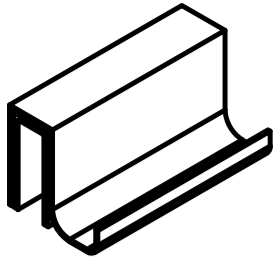


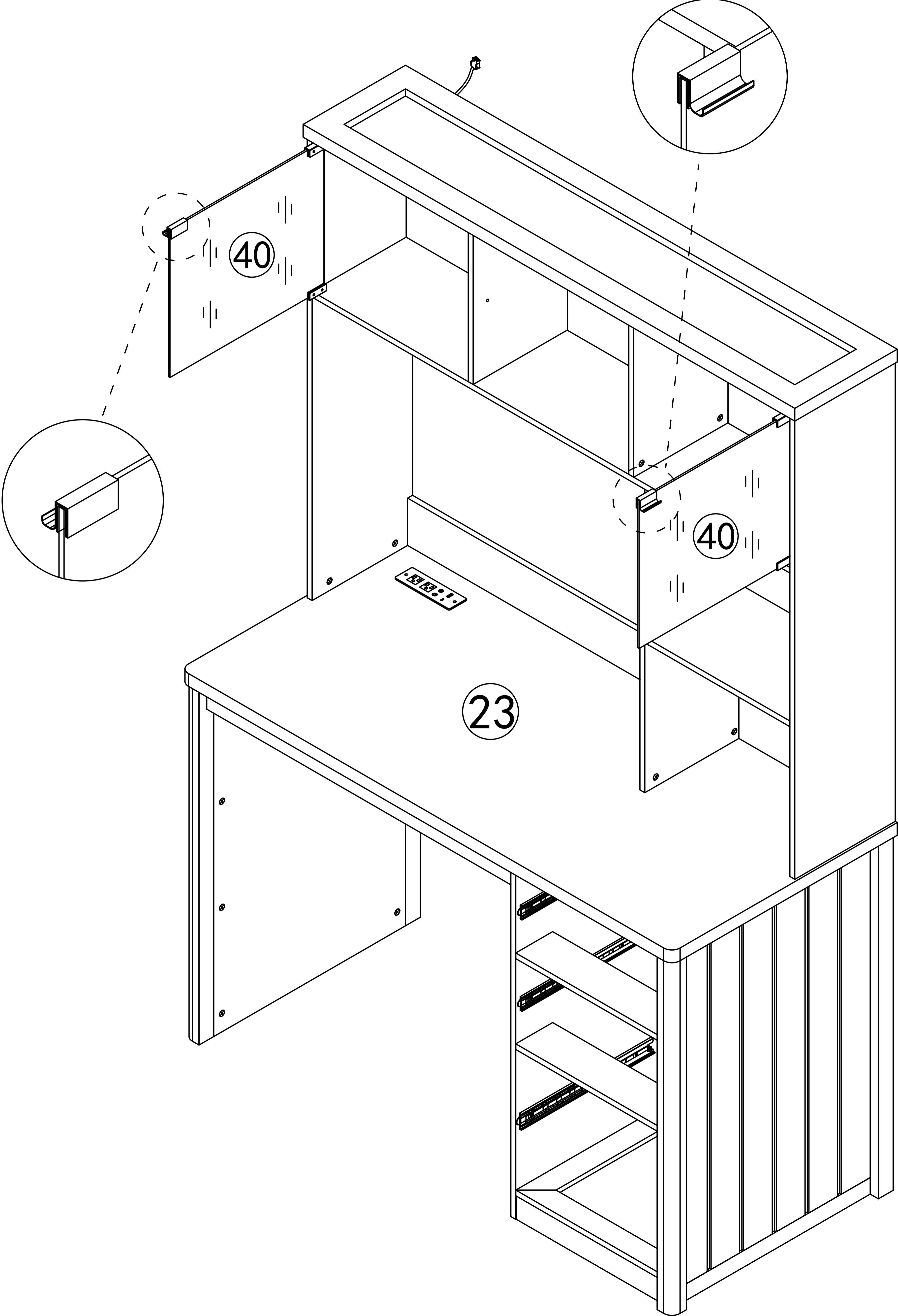
third

Locking screw

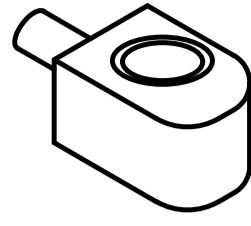


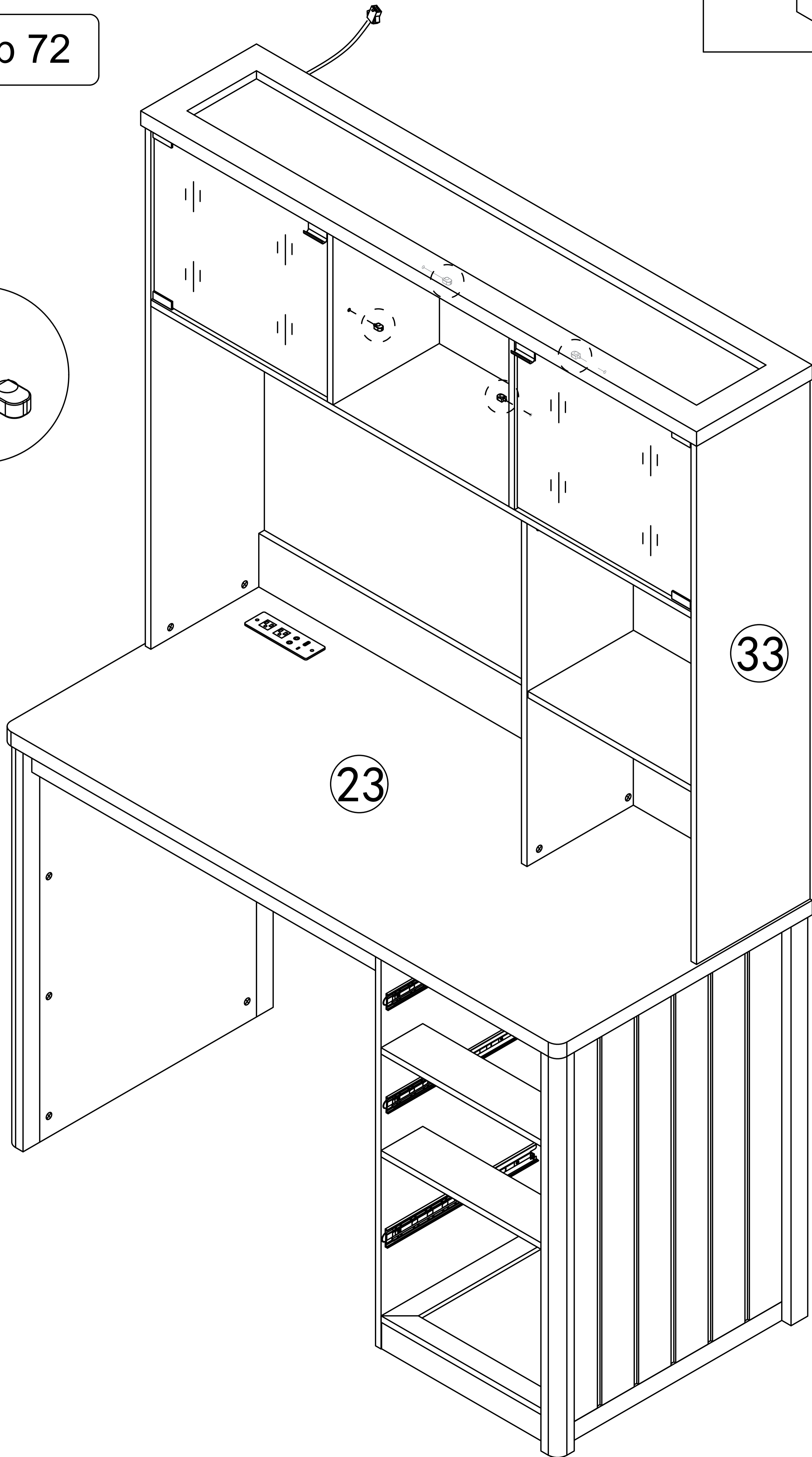
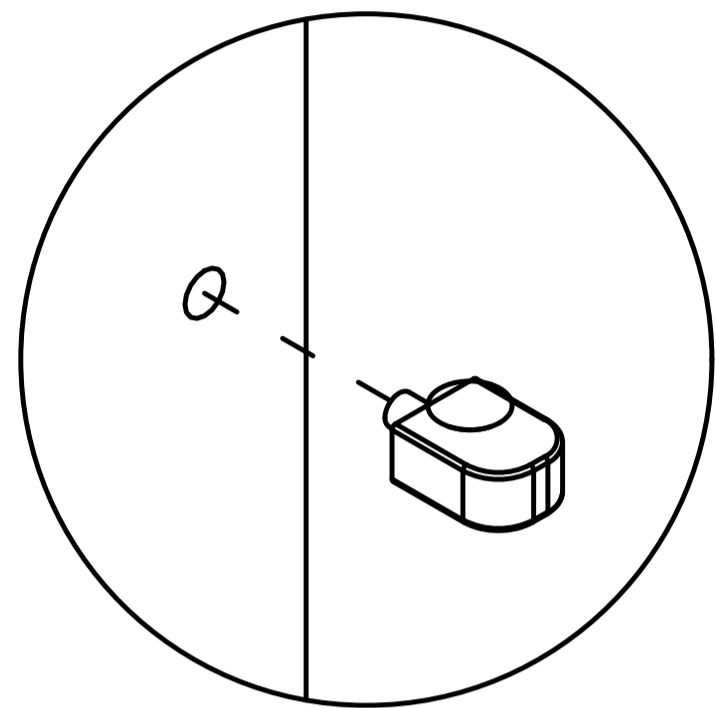
Step 71

(K)  x2

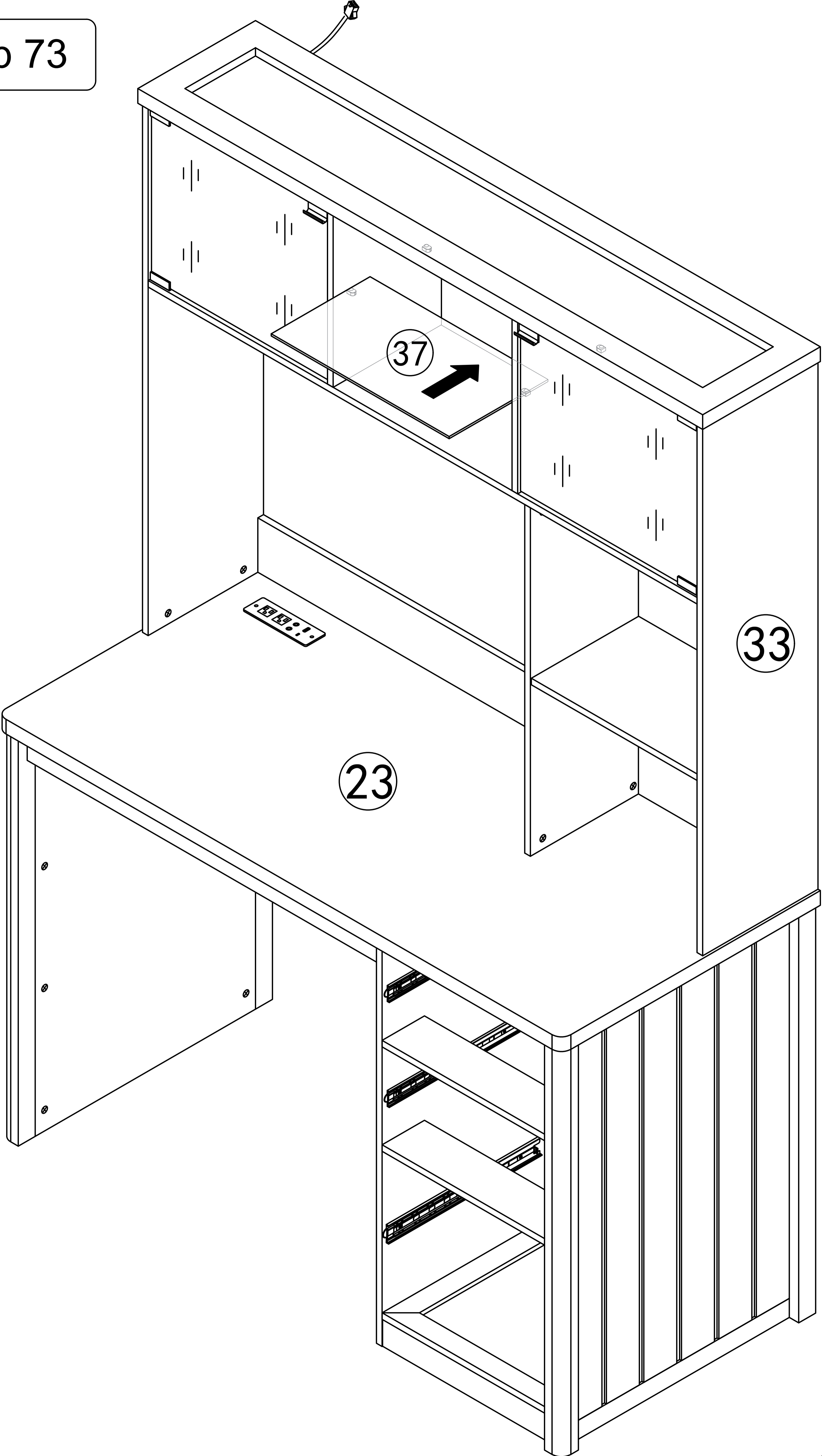


Step 72

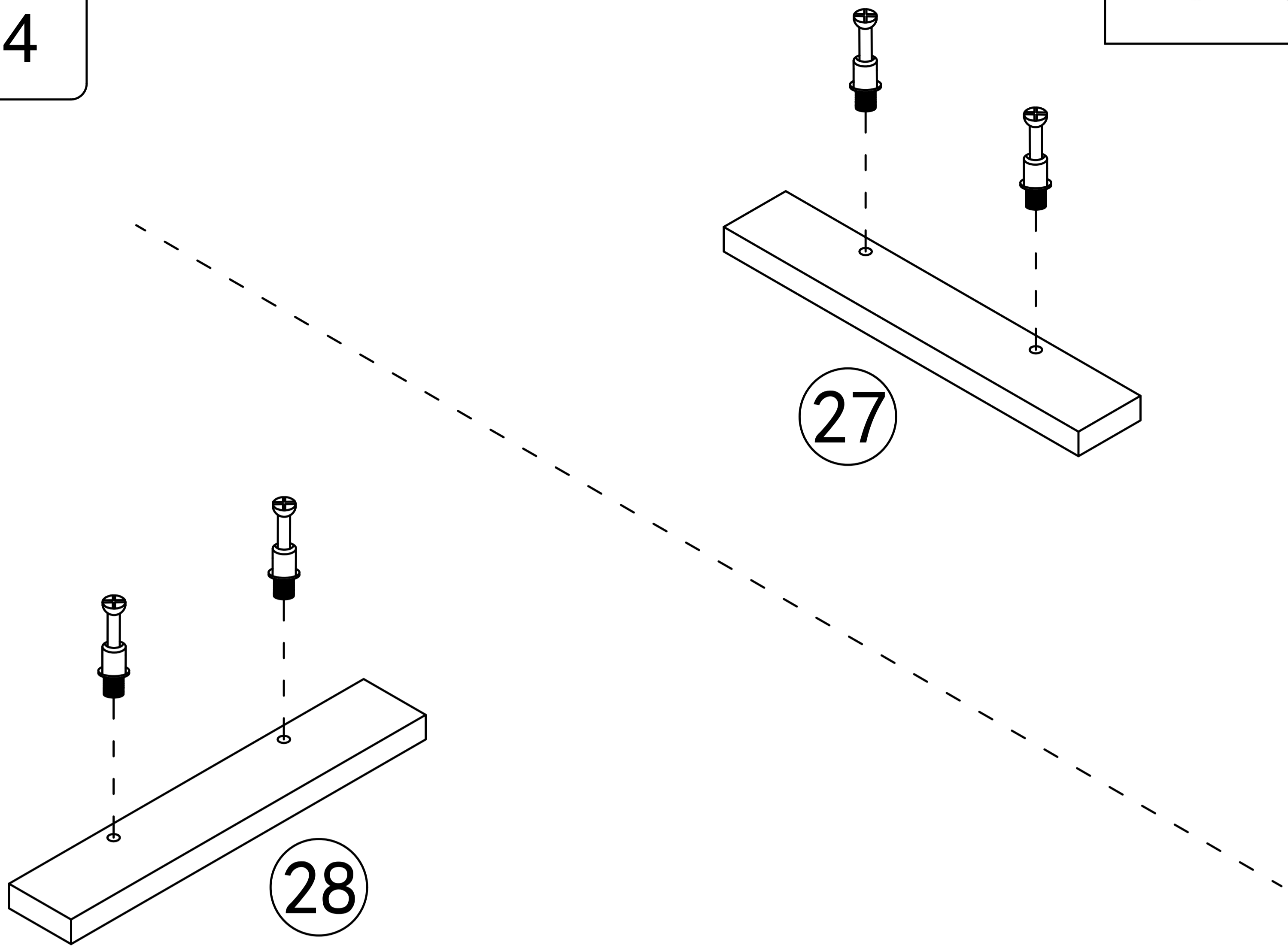
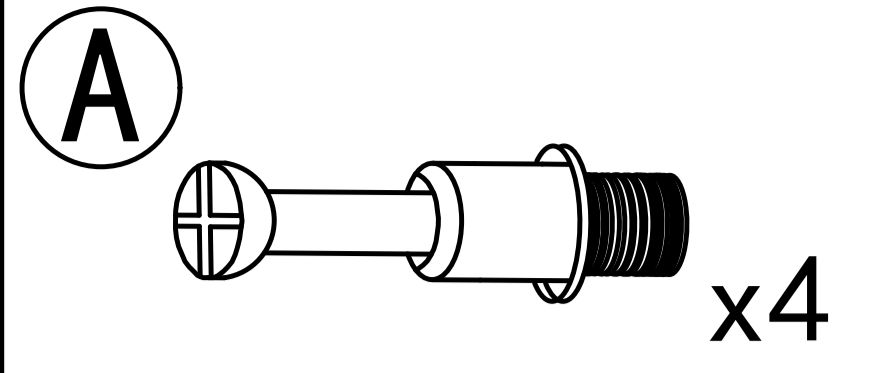
L  x4



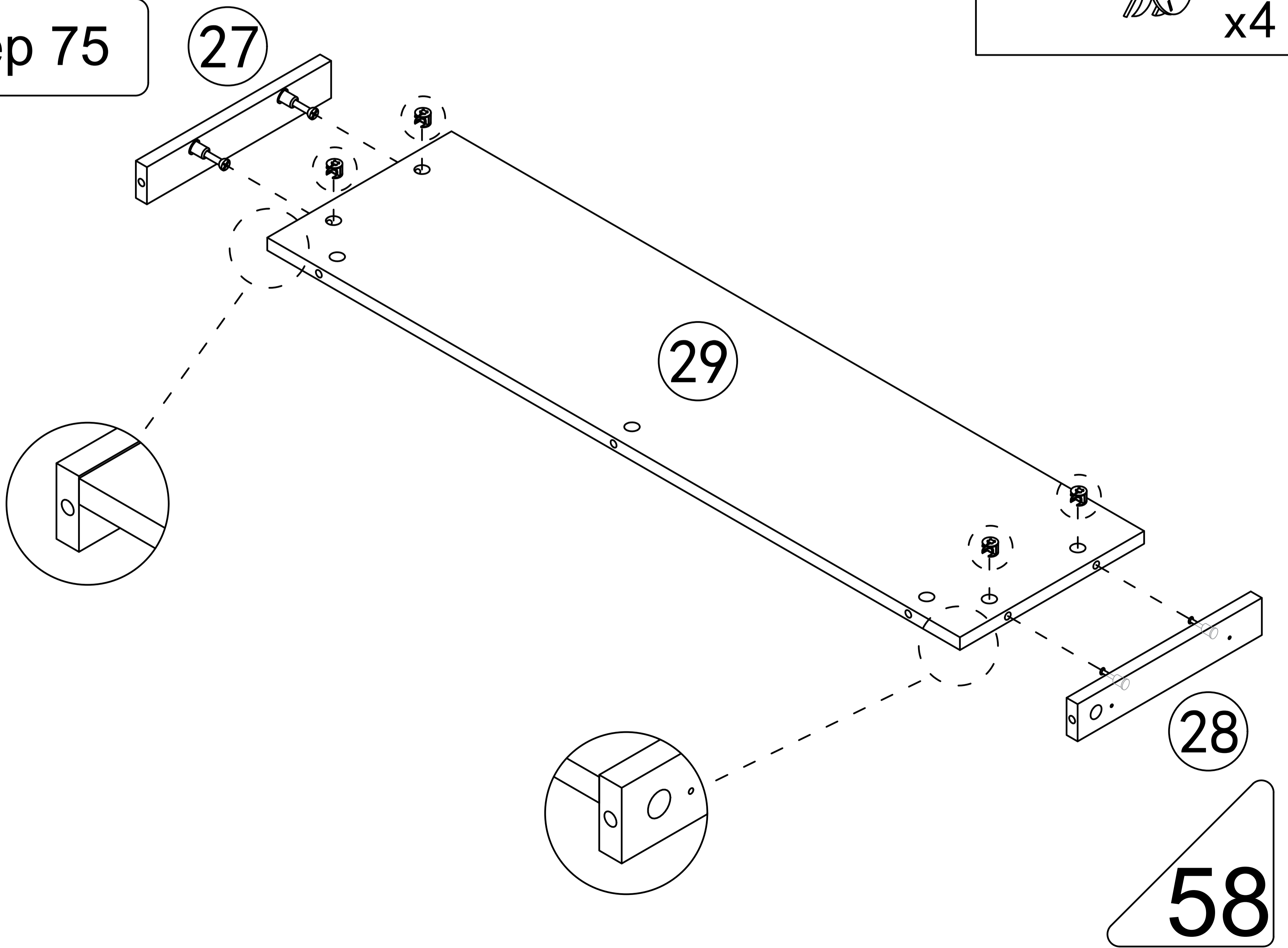
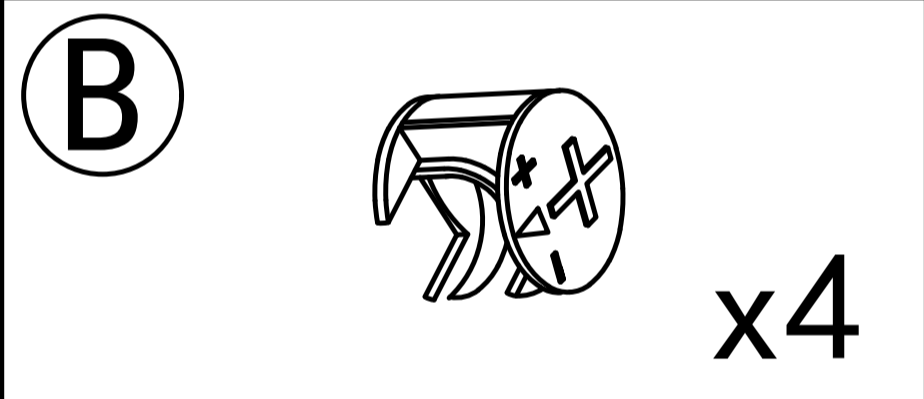
Step 73



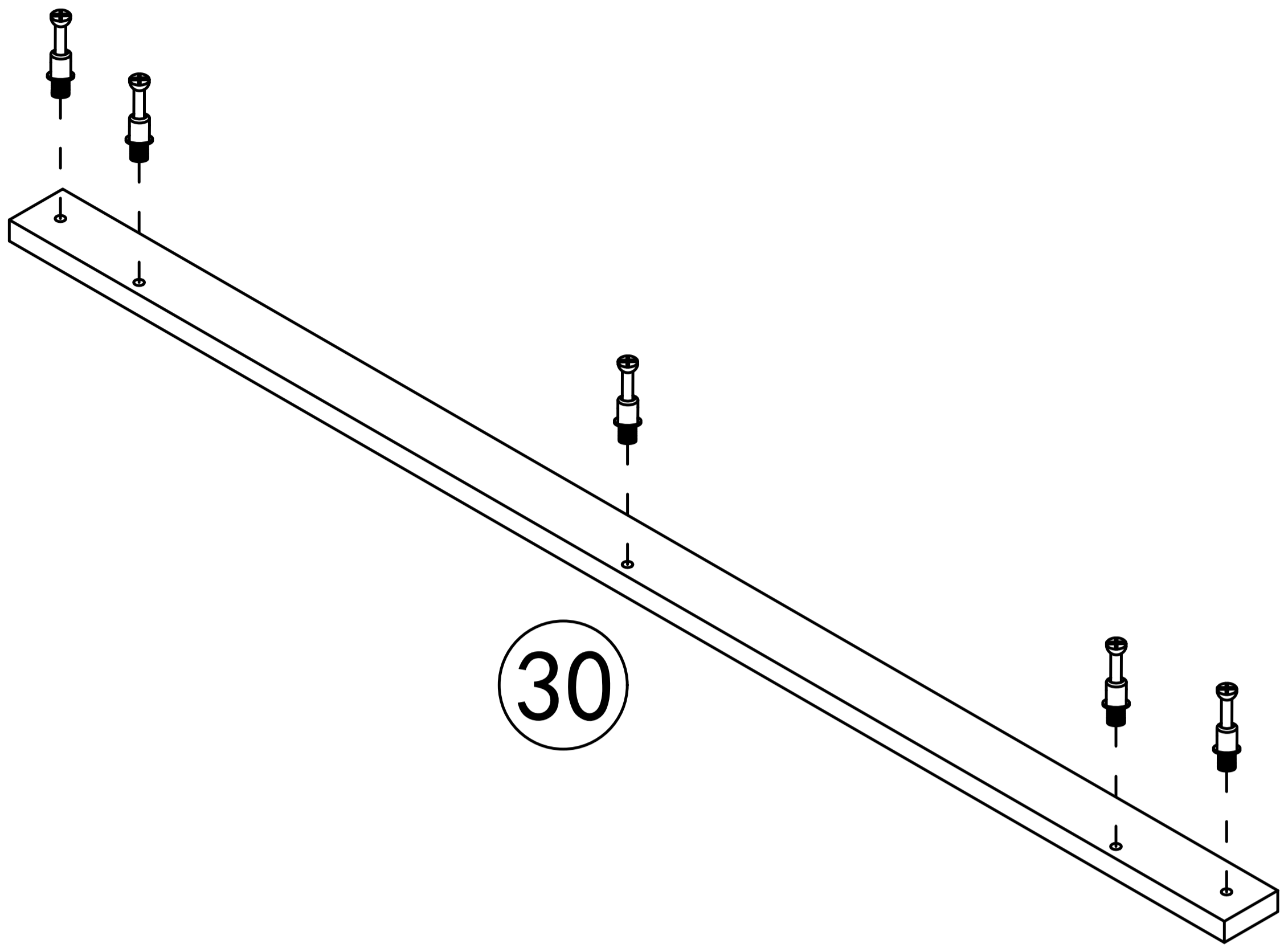
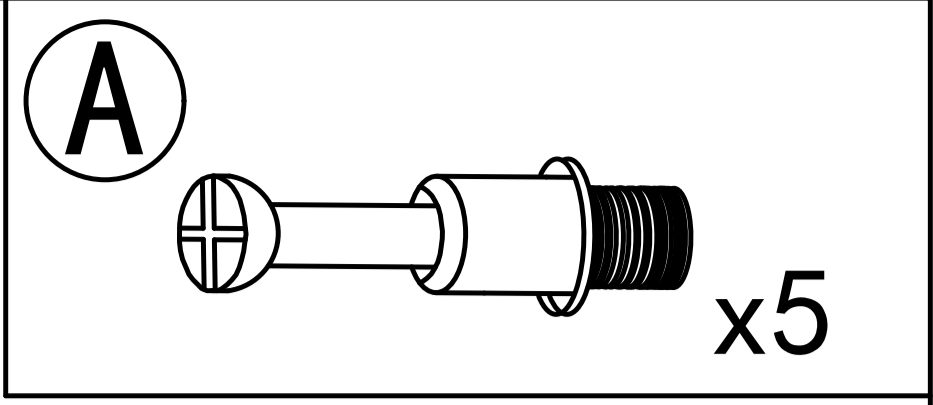
Step 74



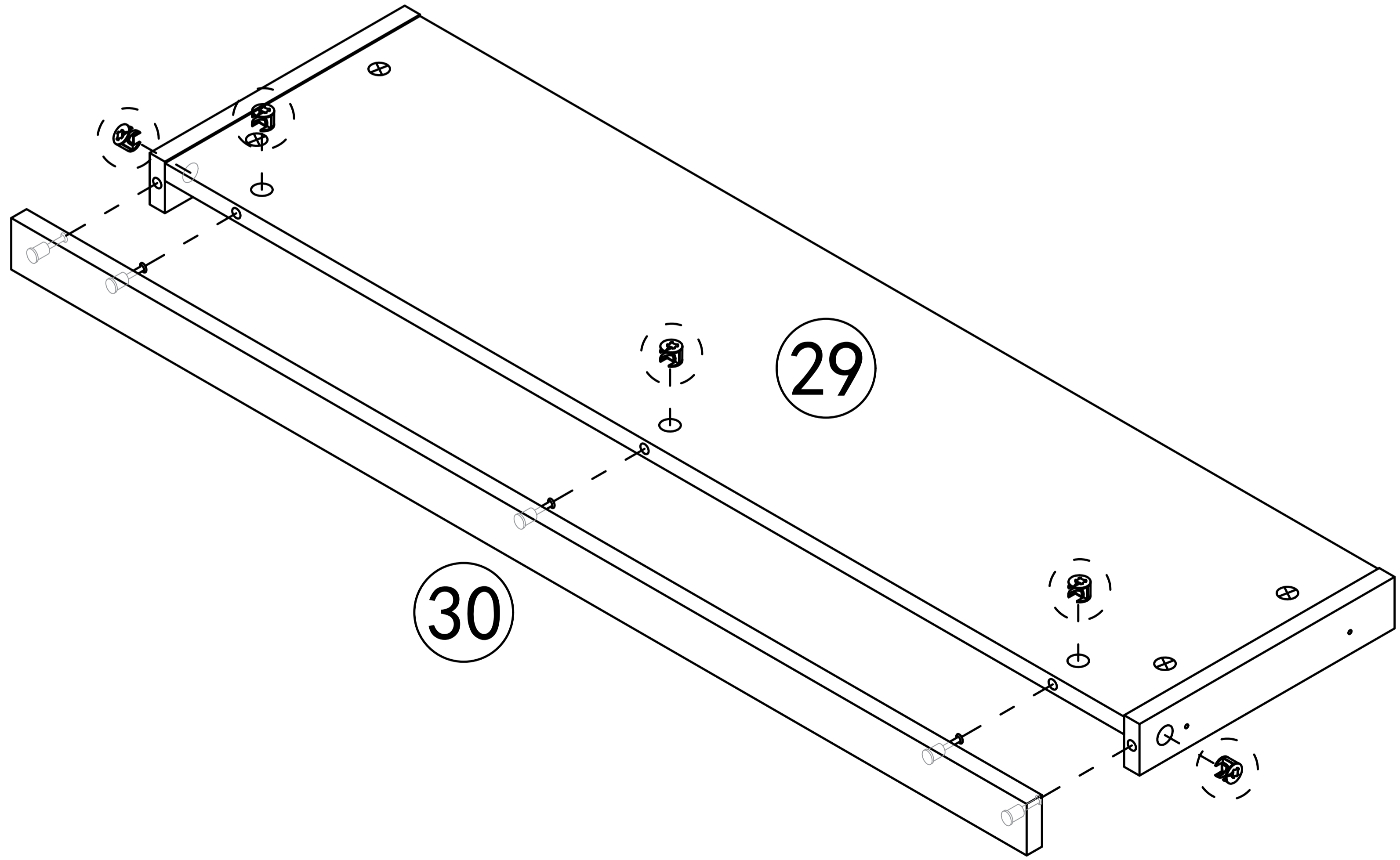
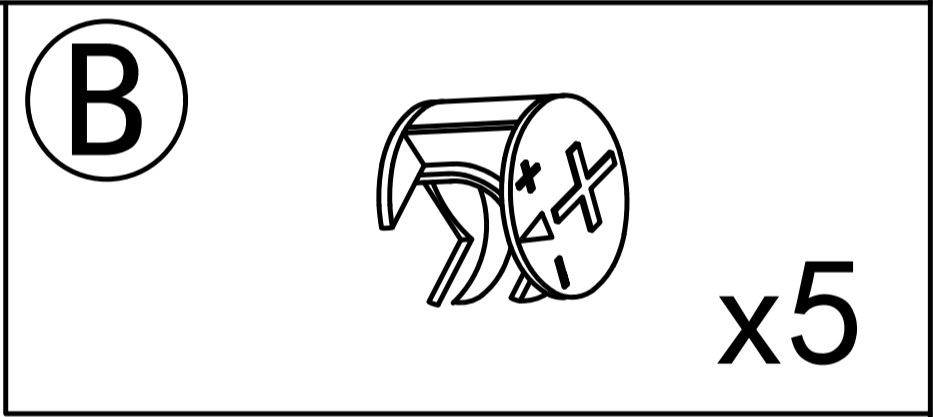
Step 75



Step 76

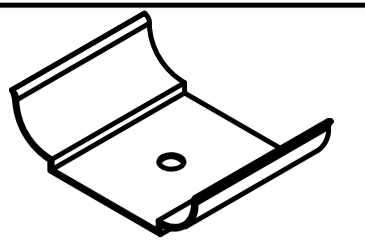


Step 77



Step 78

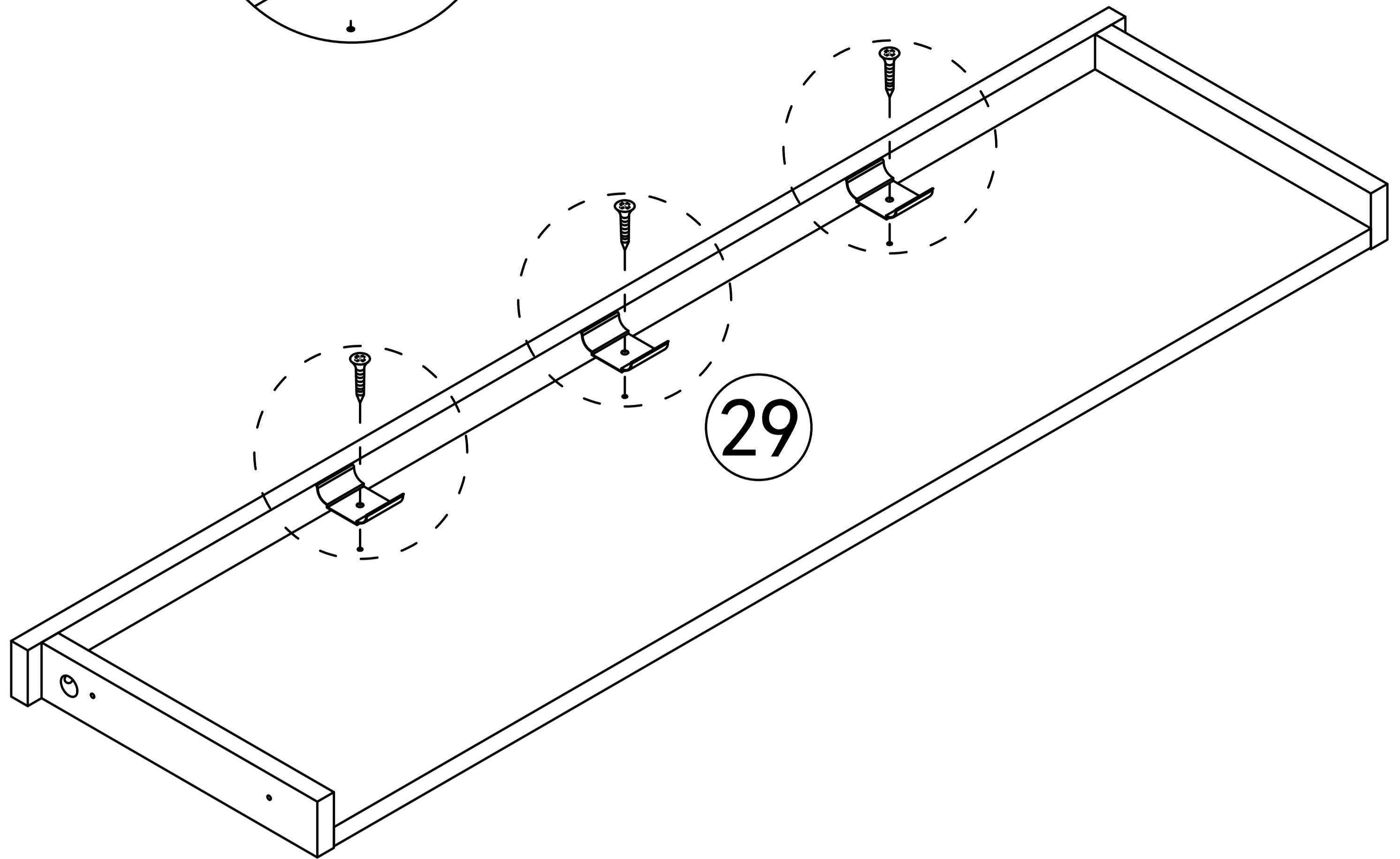
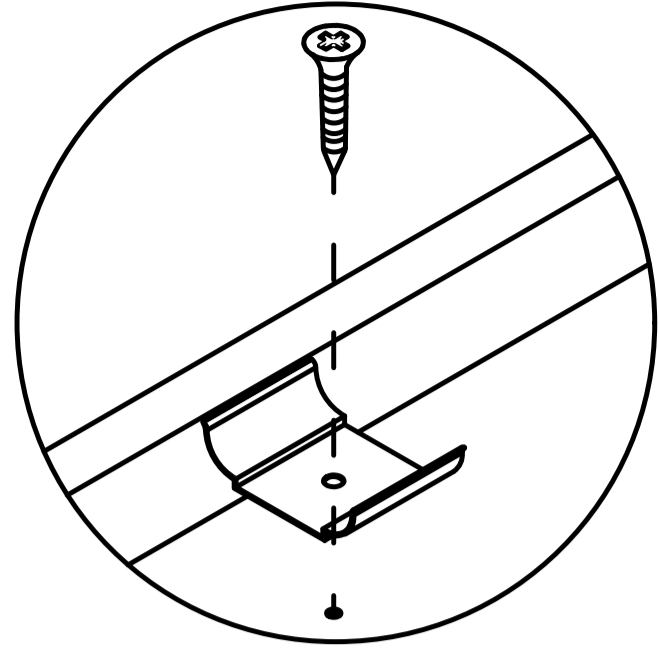
P



x3



x3



Step 79

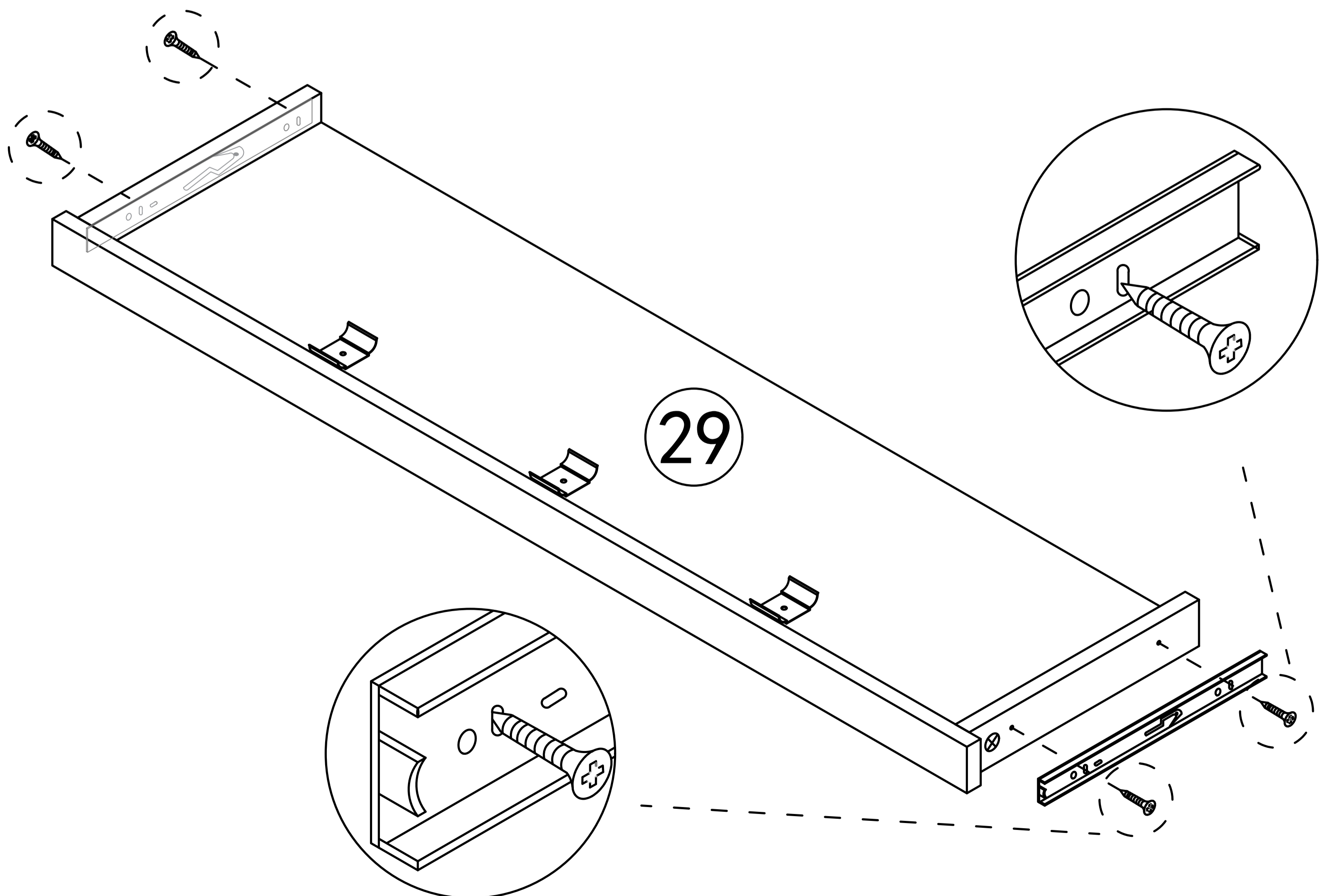
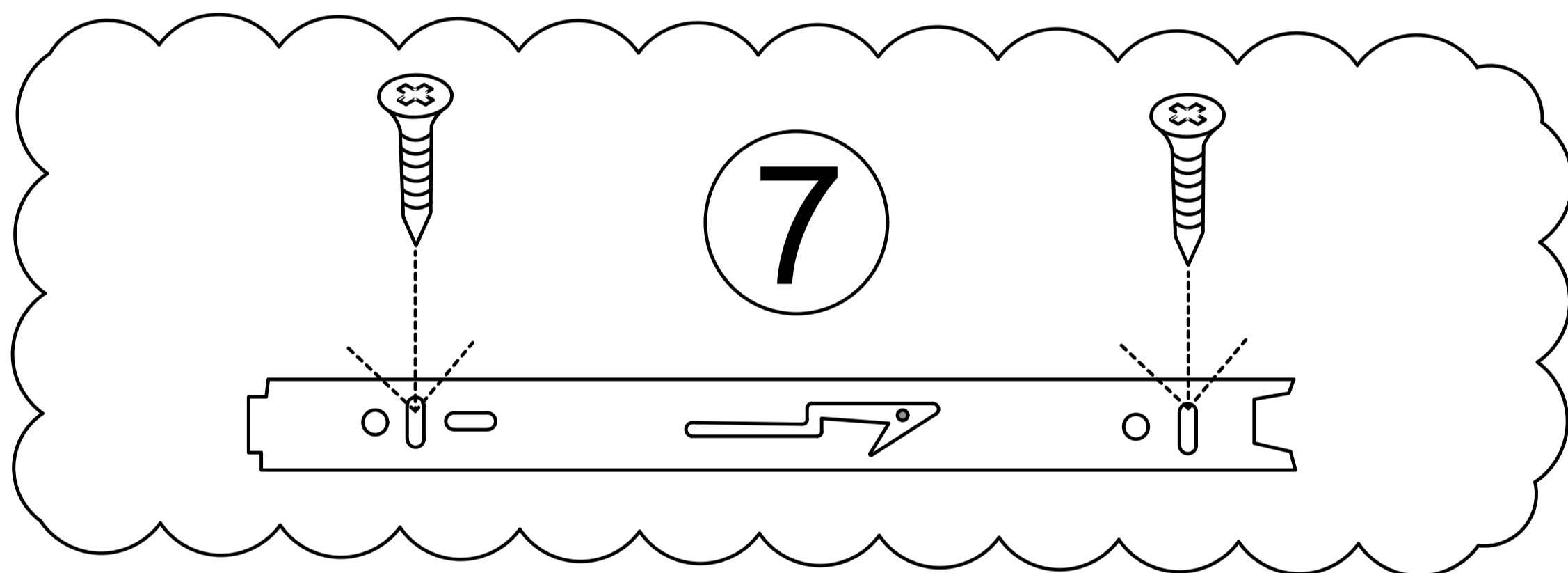
J



x2

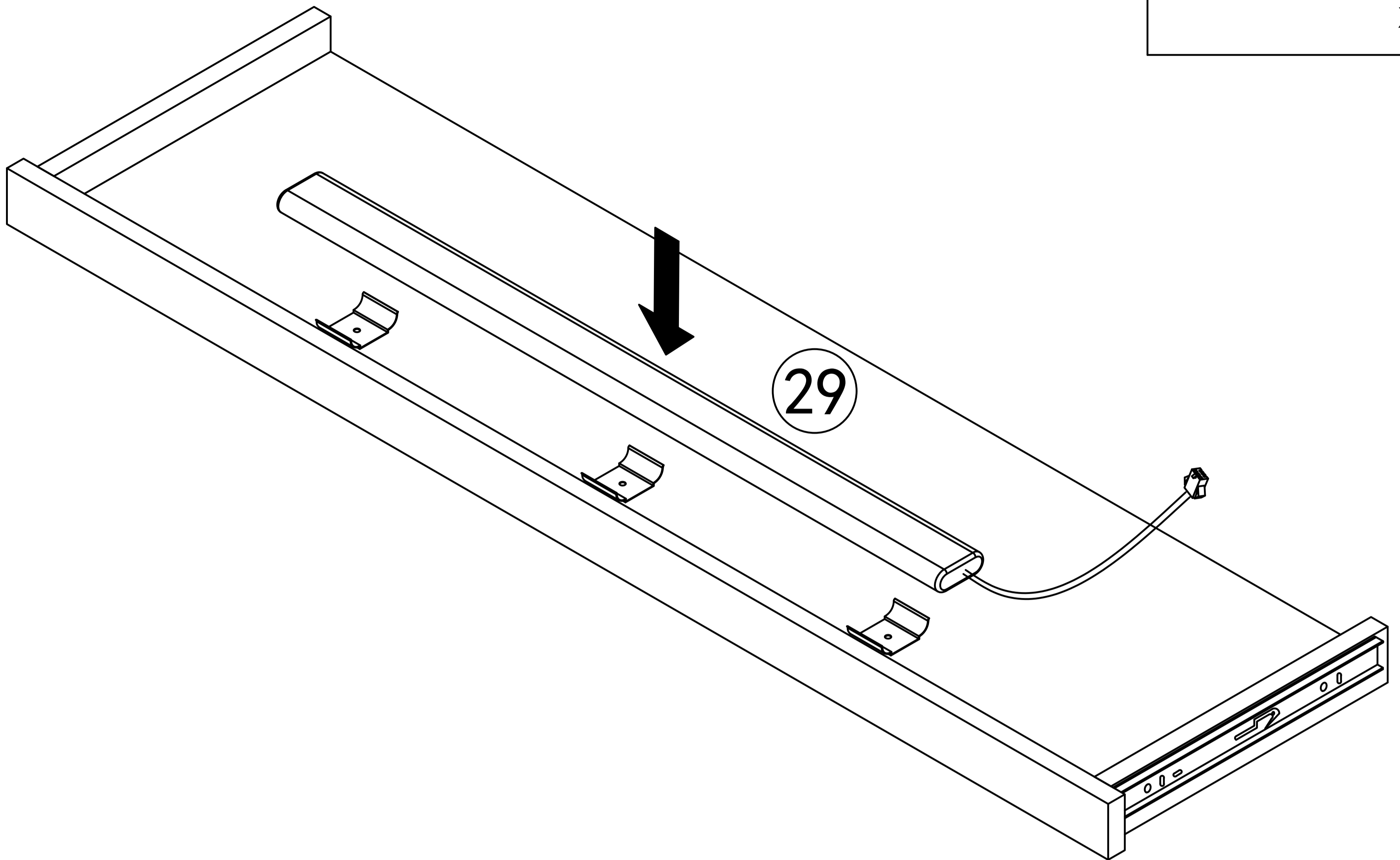
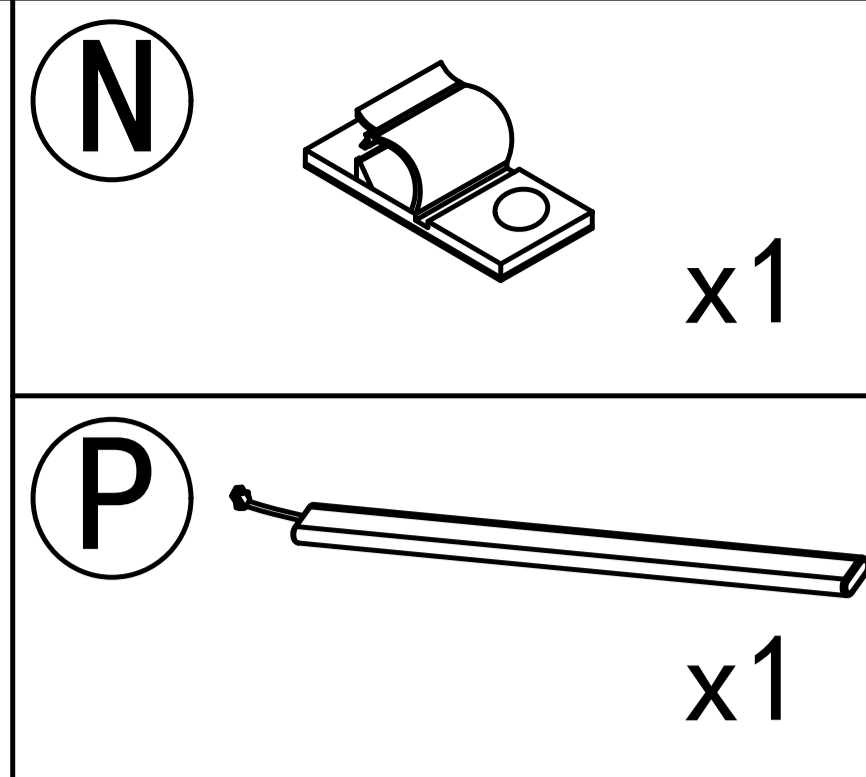


x4

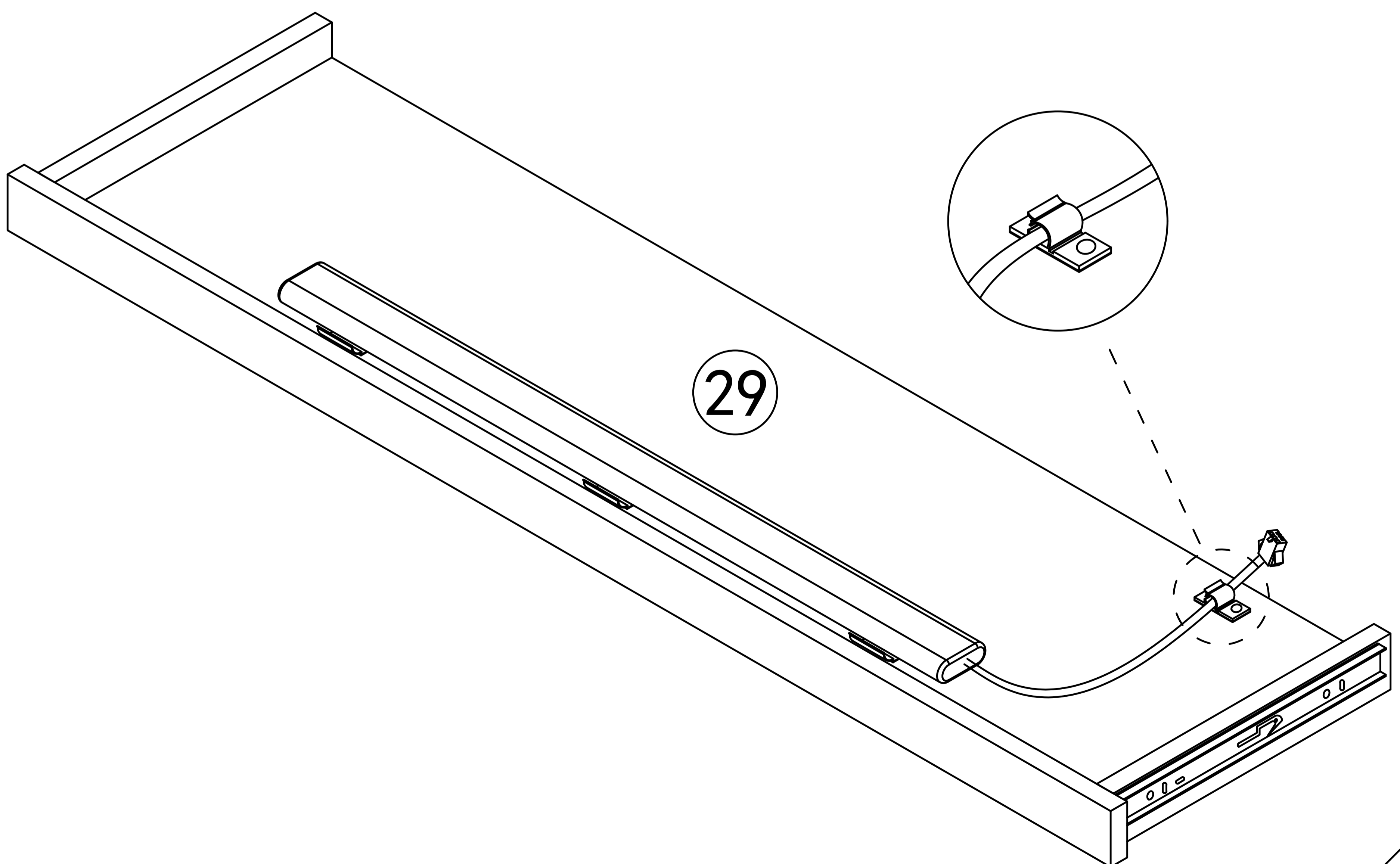


60

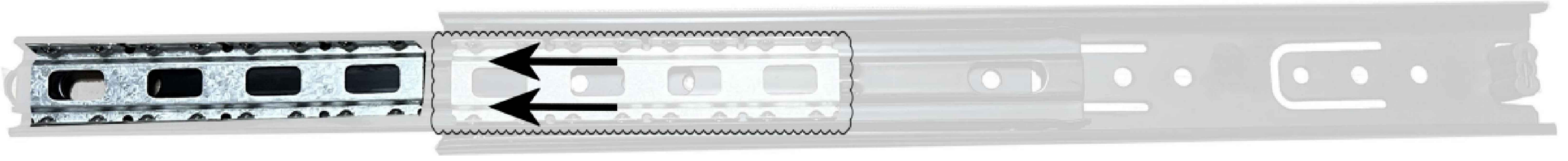
Step 80



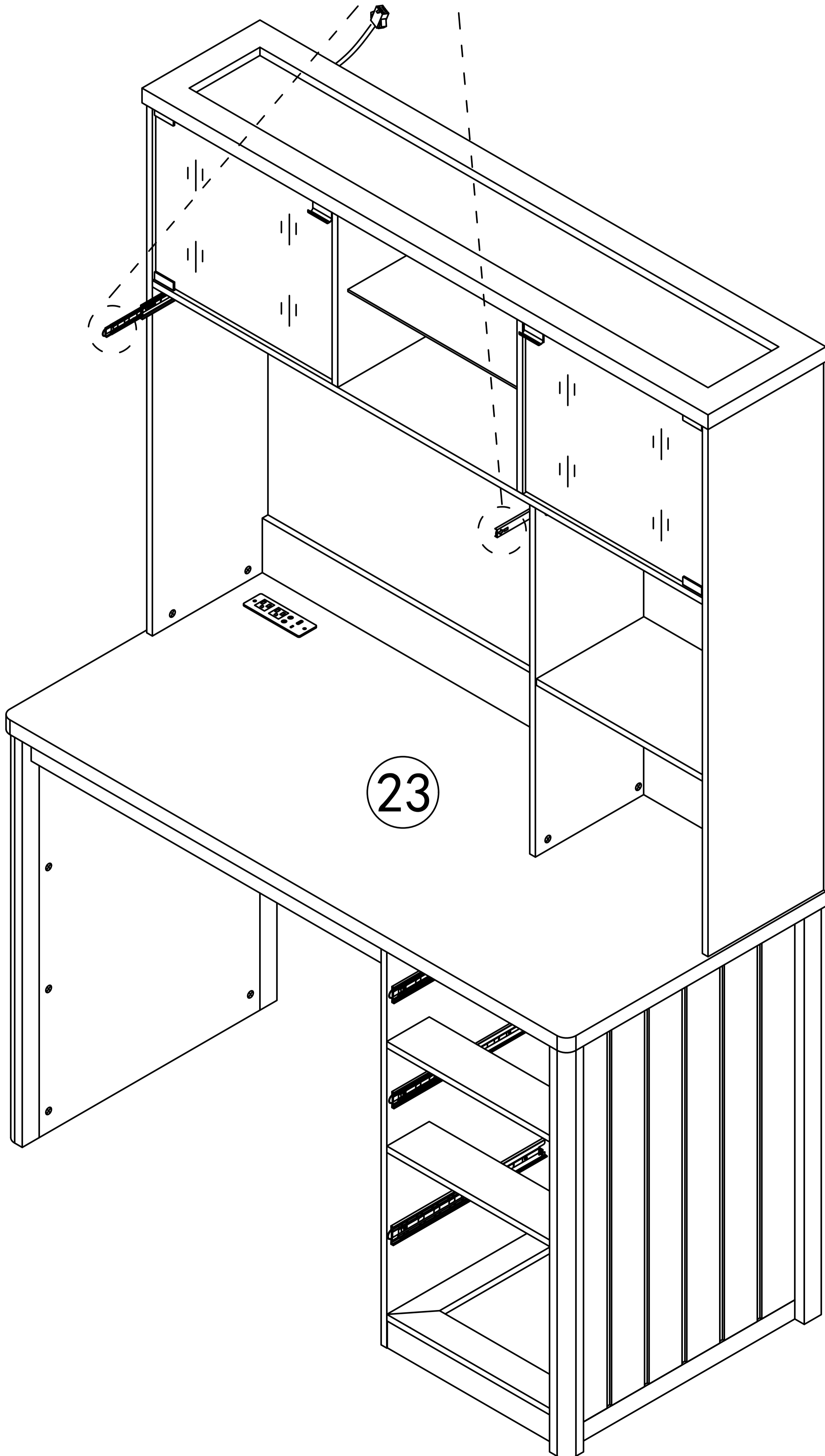
Mount the reading light onto the reading light holder.



## Step 81

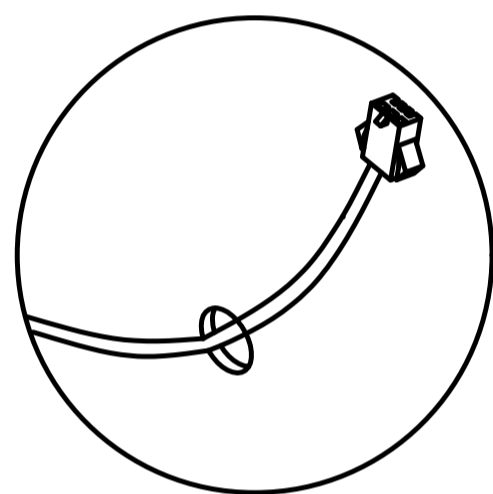
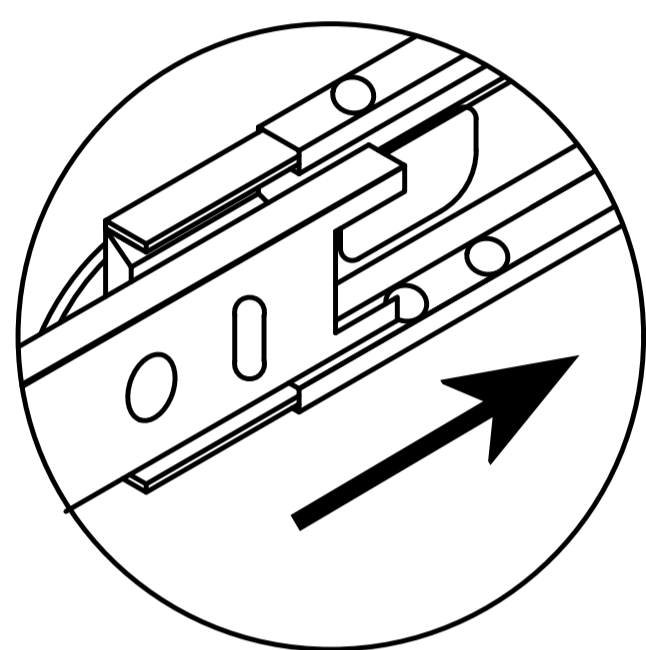
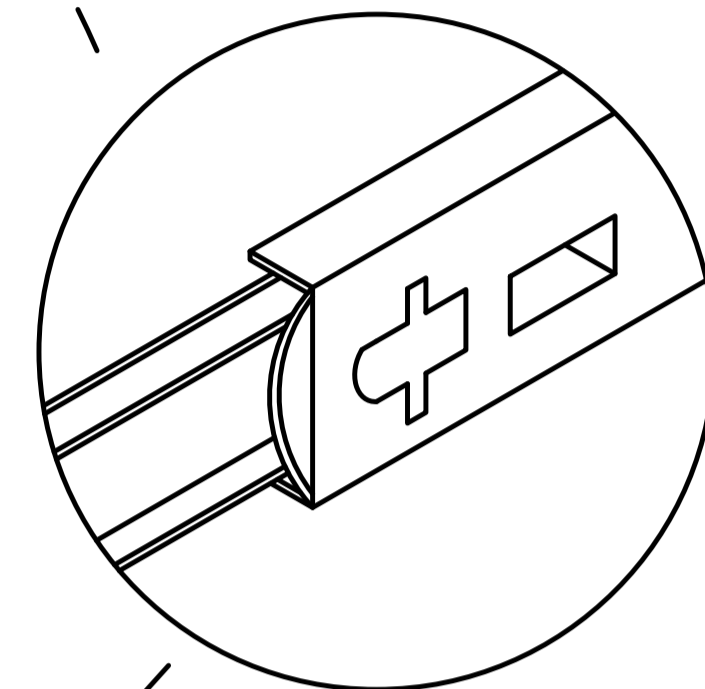
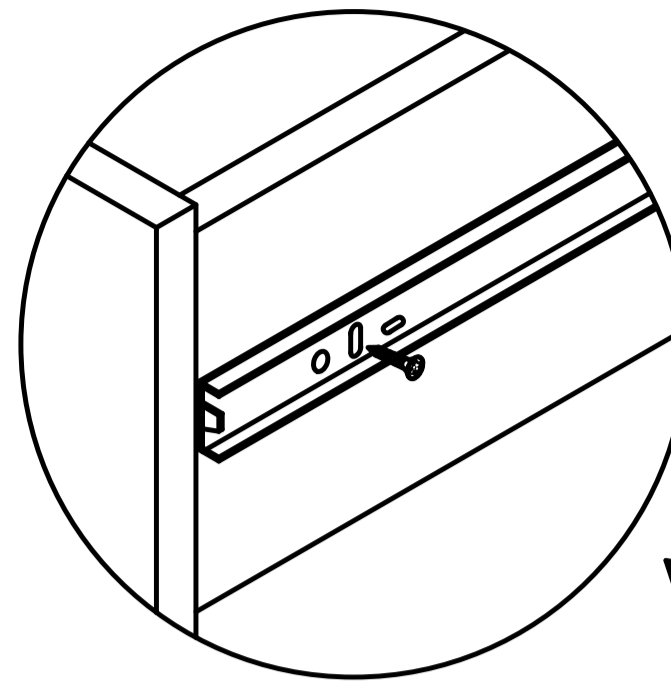
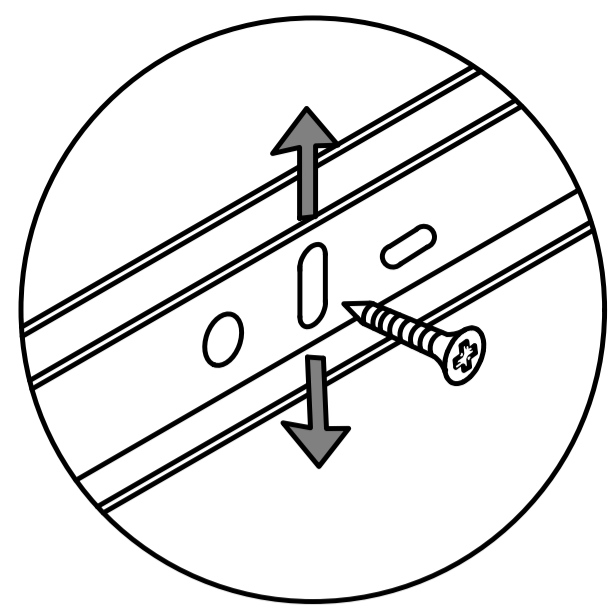


As shown, When installing the drawer, pull the guide rail out first, Slide beads are also pulled out.

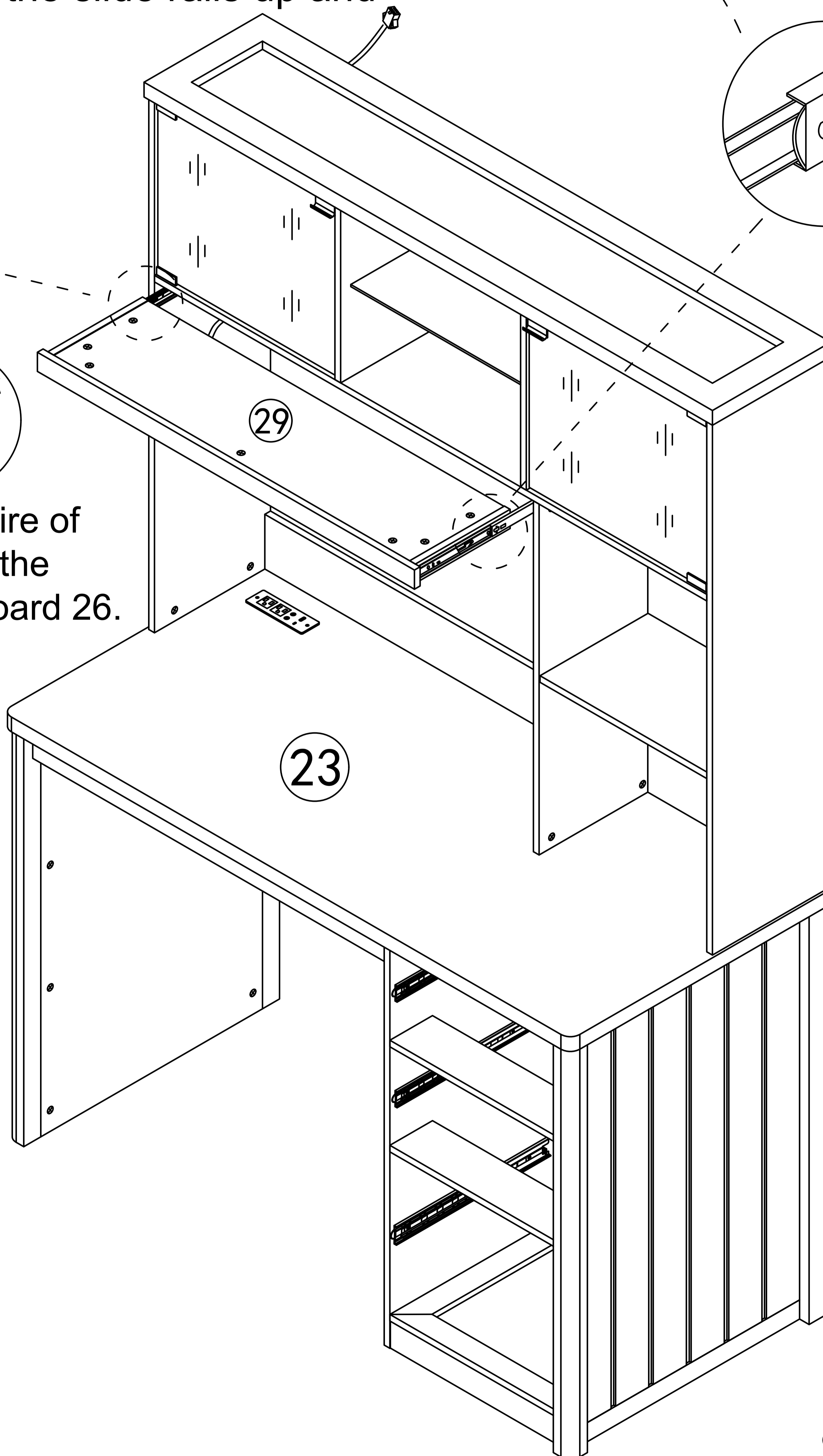


## Step 82

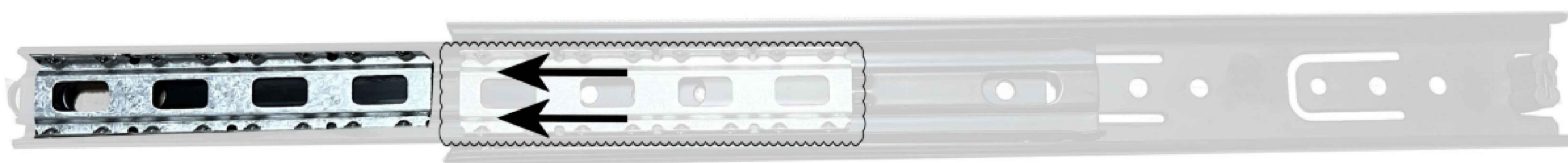
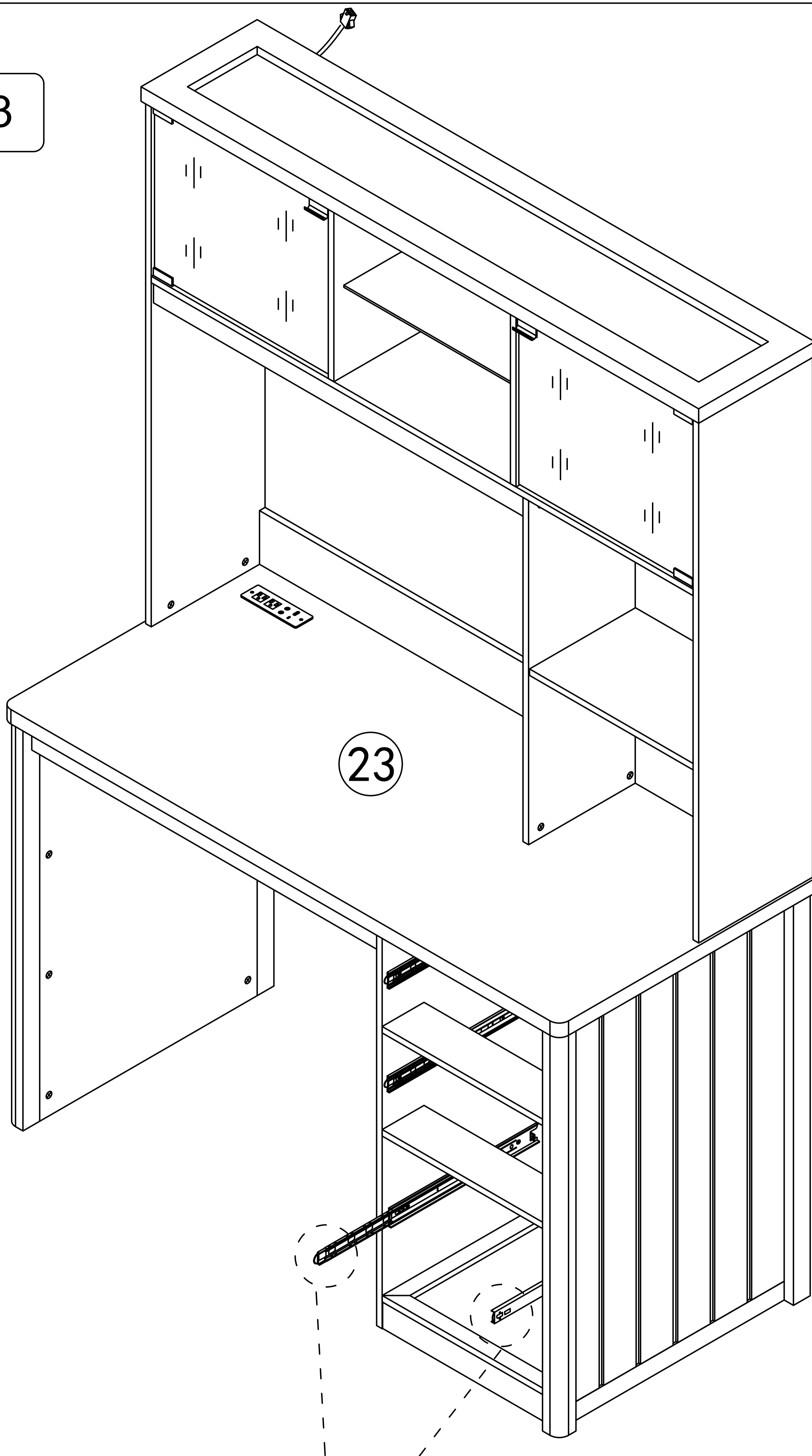
If there is a large gap after installing the extendable shelf, you can adjust the gap by moving the slide rails up and down.



Thread the light wire of Board 29 through the through-hole of Board 26.

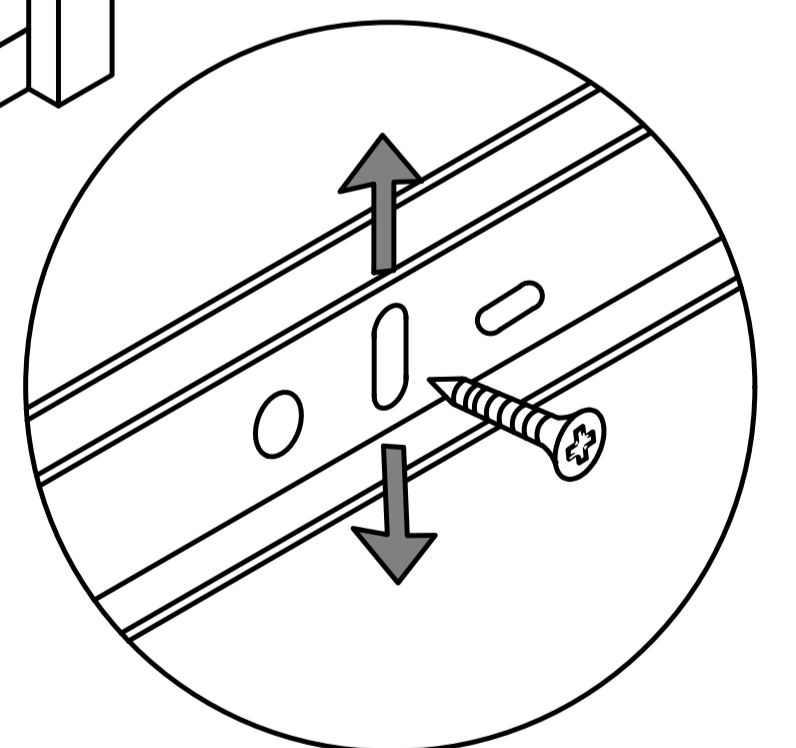
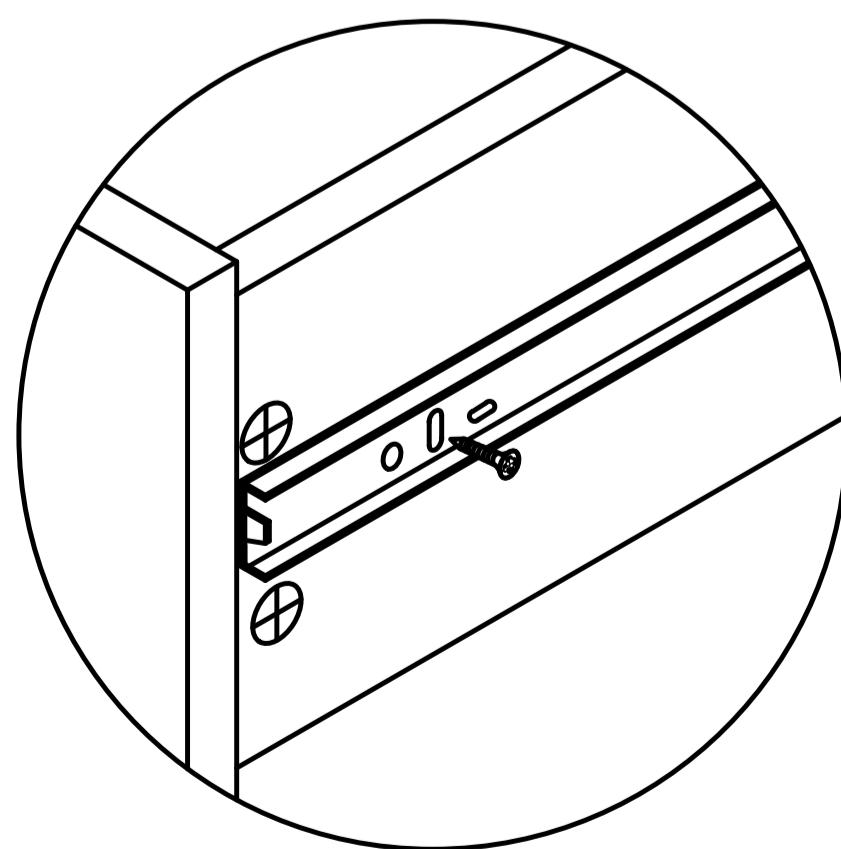
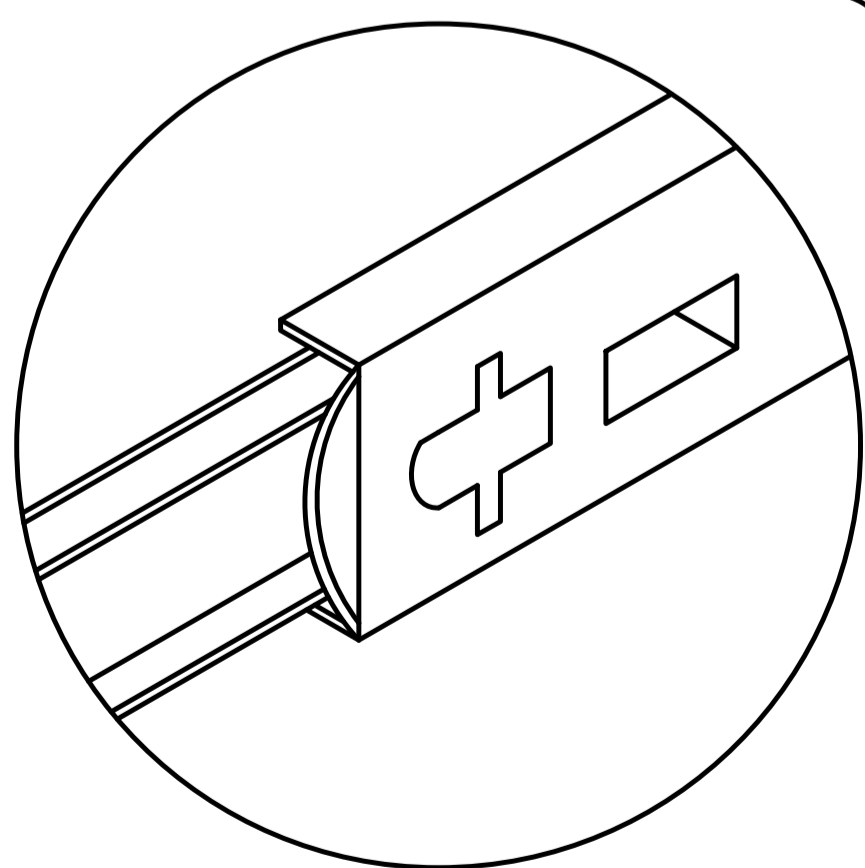
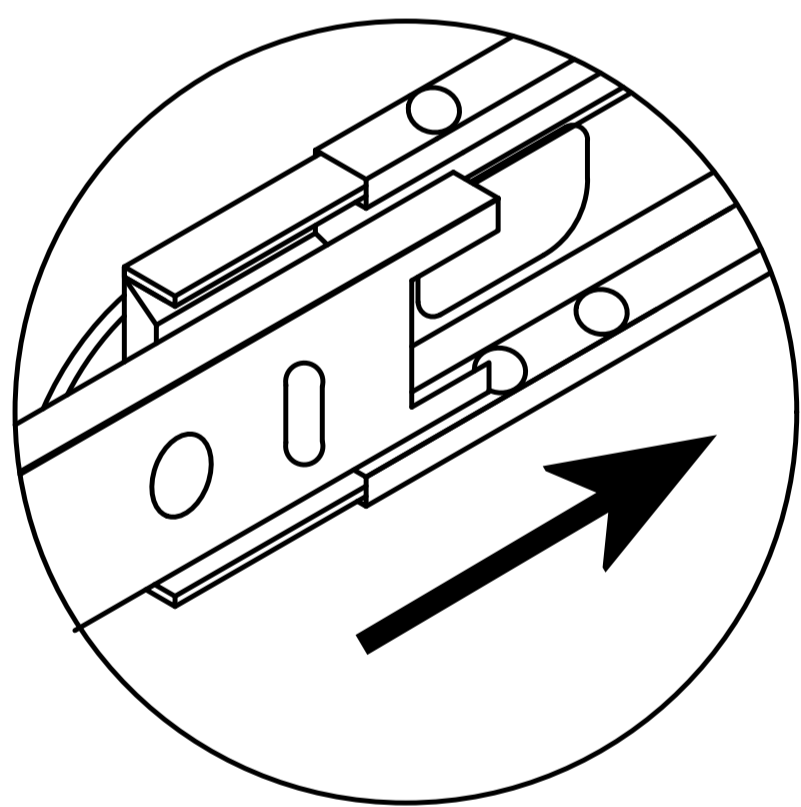
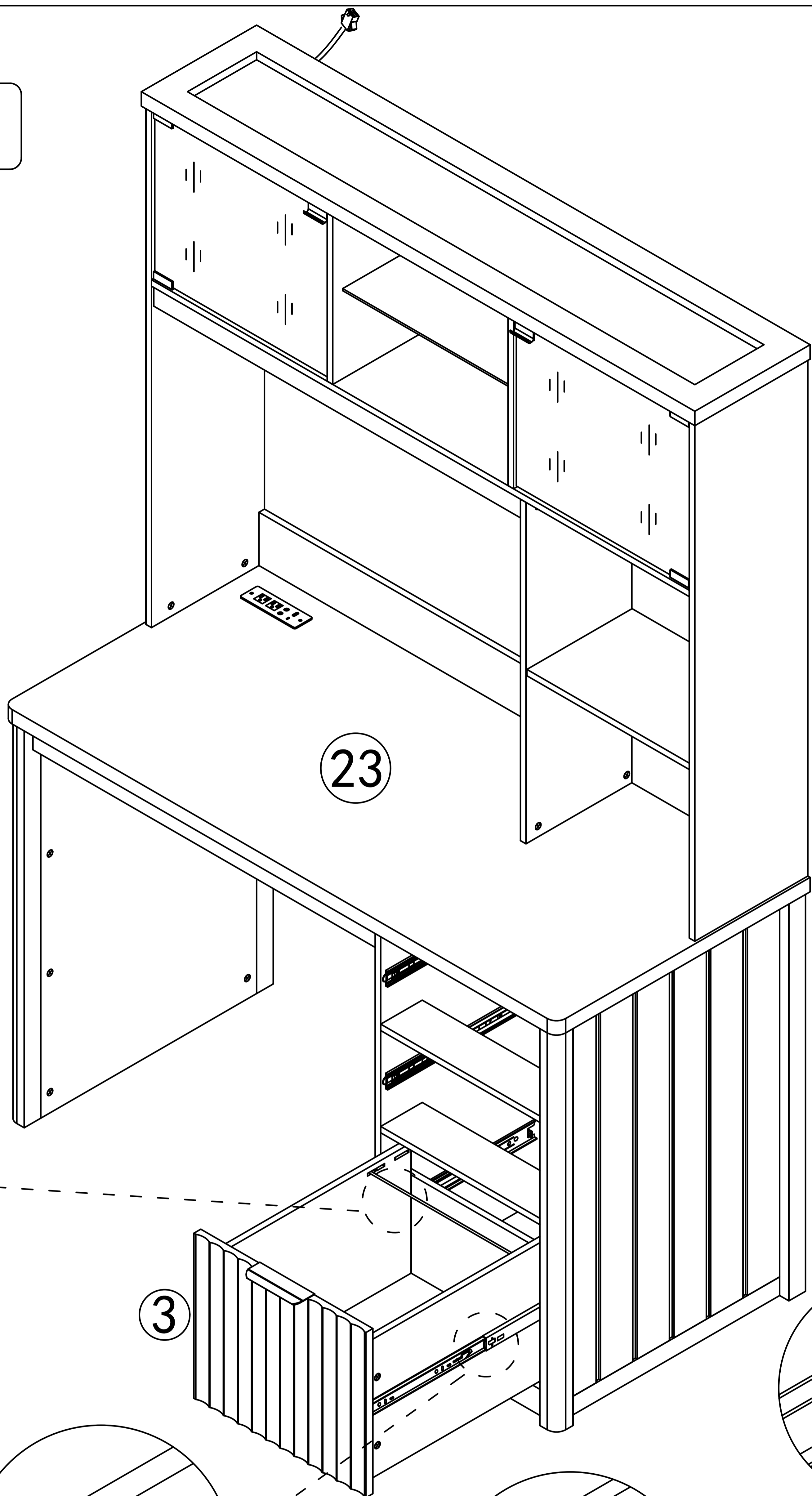


# Step 83



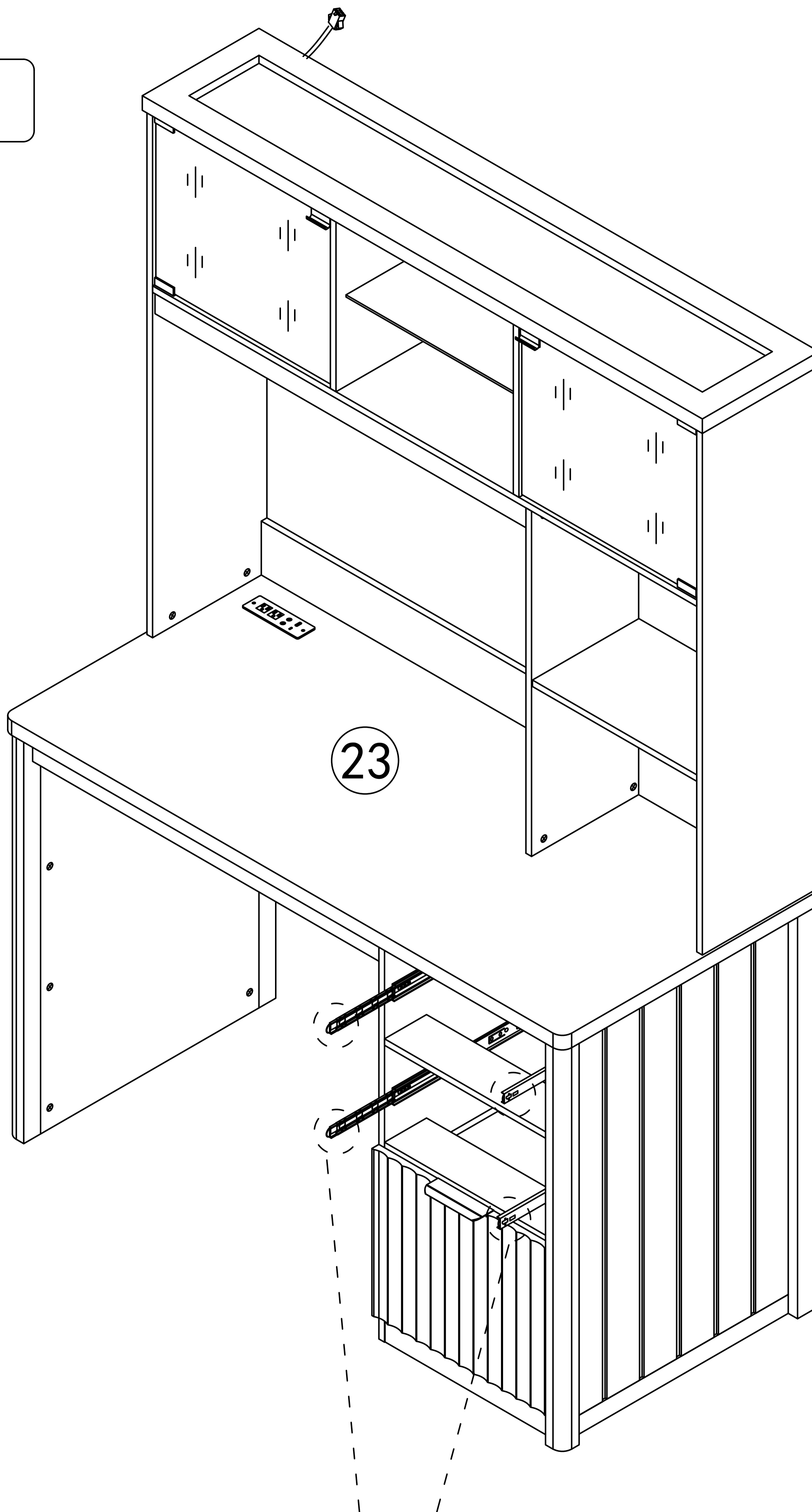
As shown, When installing the drawer,  
pull the guide rail out first, Slide beads are also pulled out.

Step 84



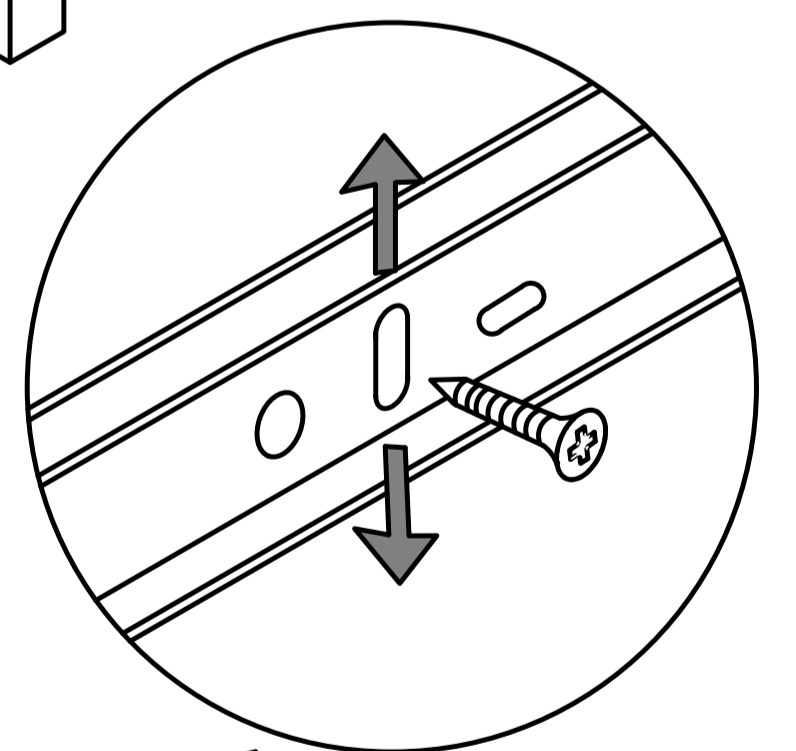
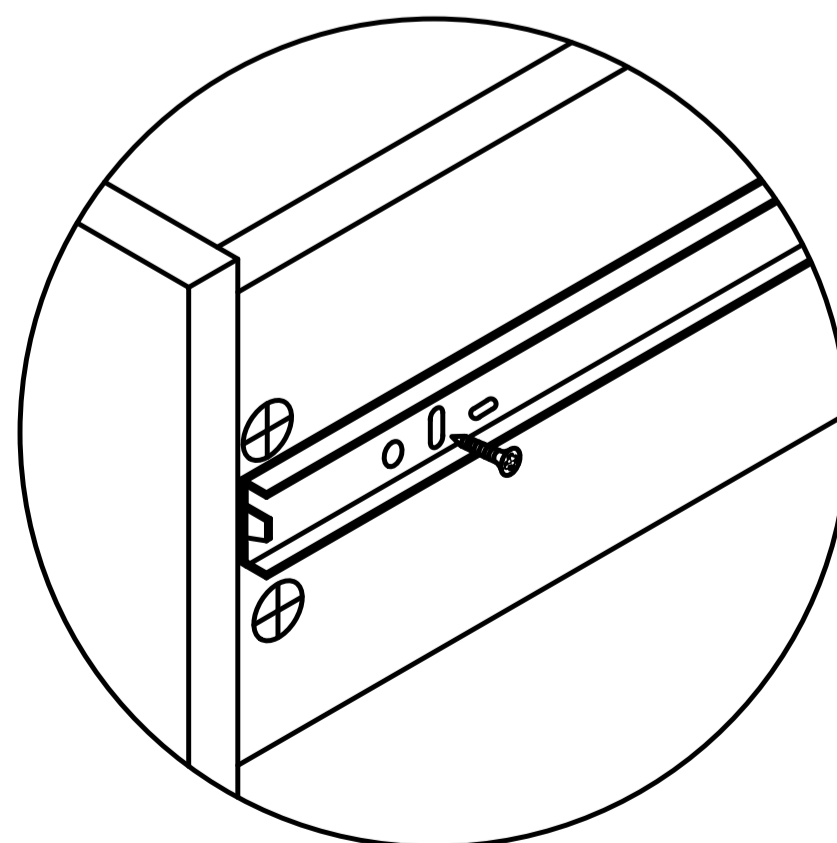
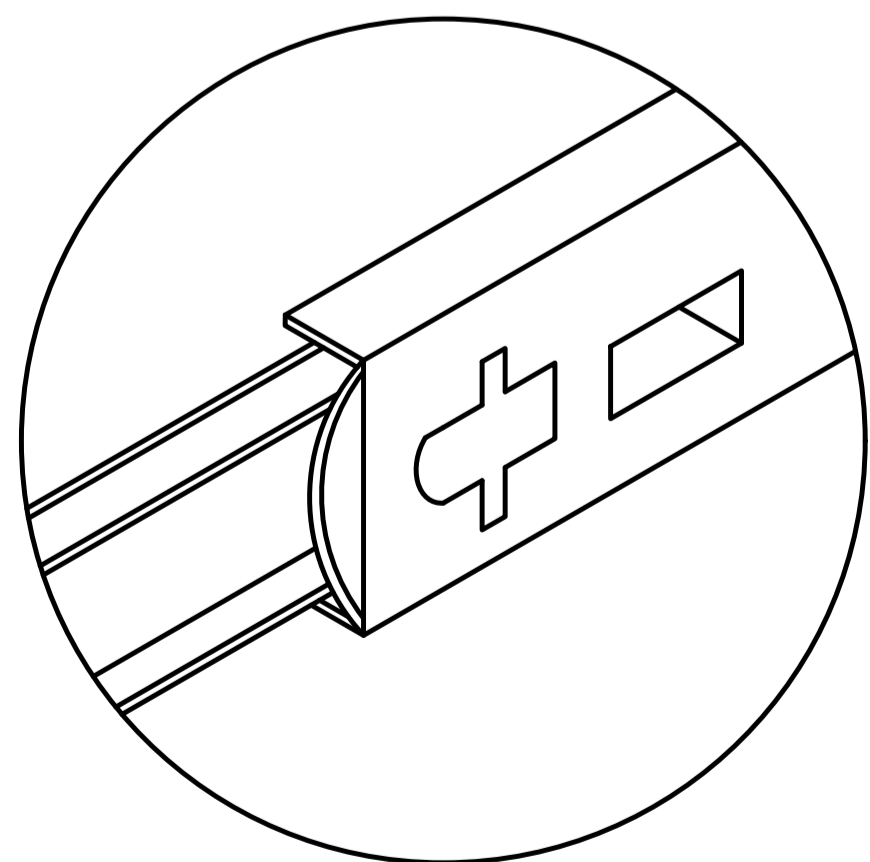
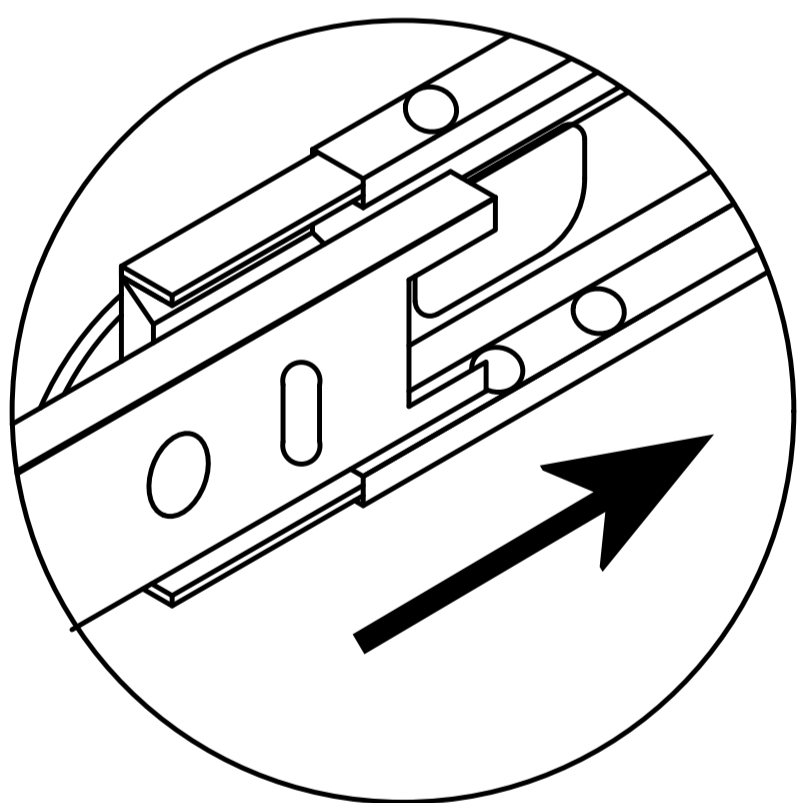
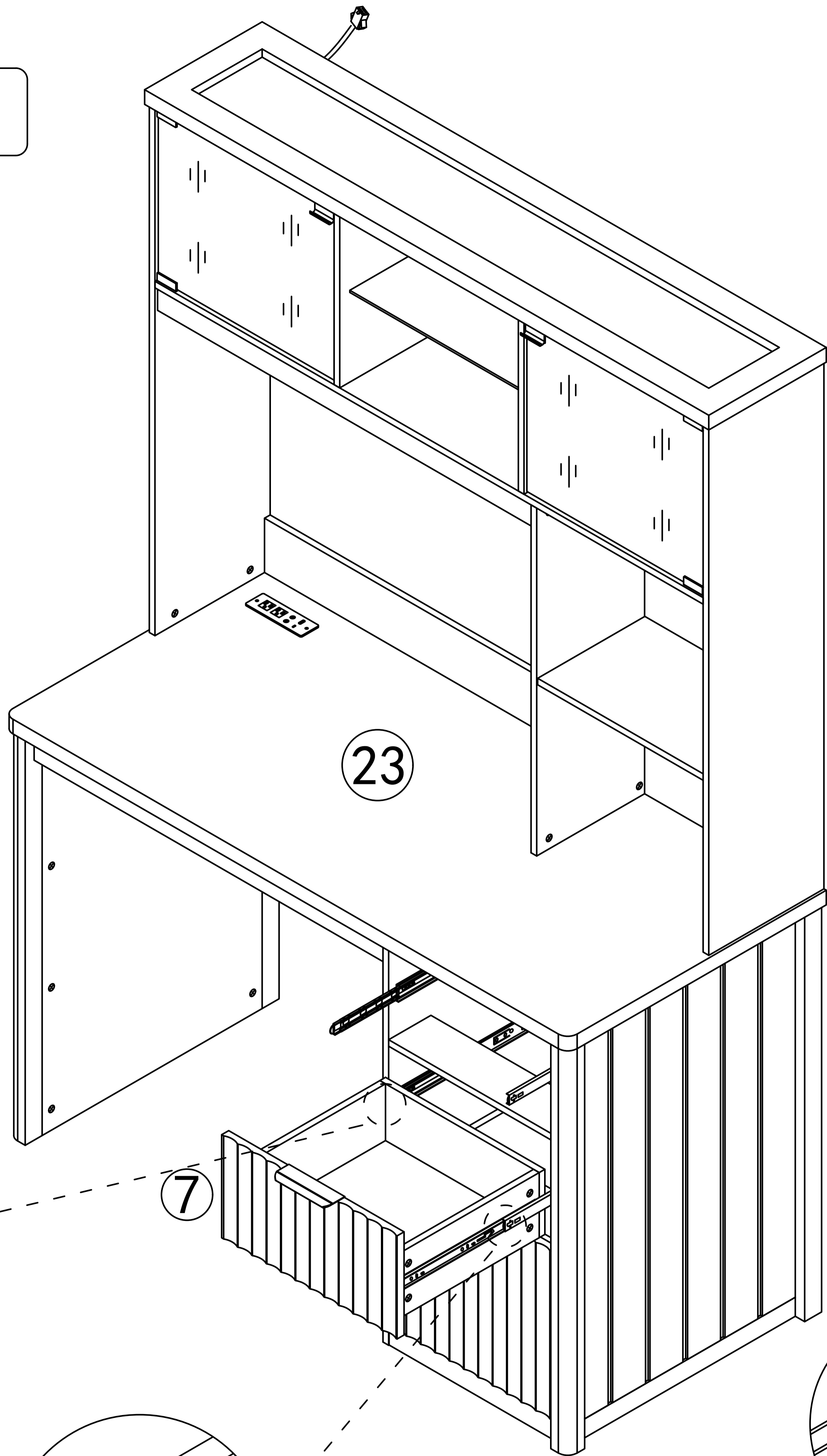
If a large gap is found after installing the drawer the slide rail can be moved up and down to adjust the gap

# Step 85



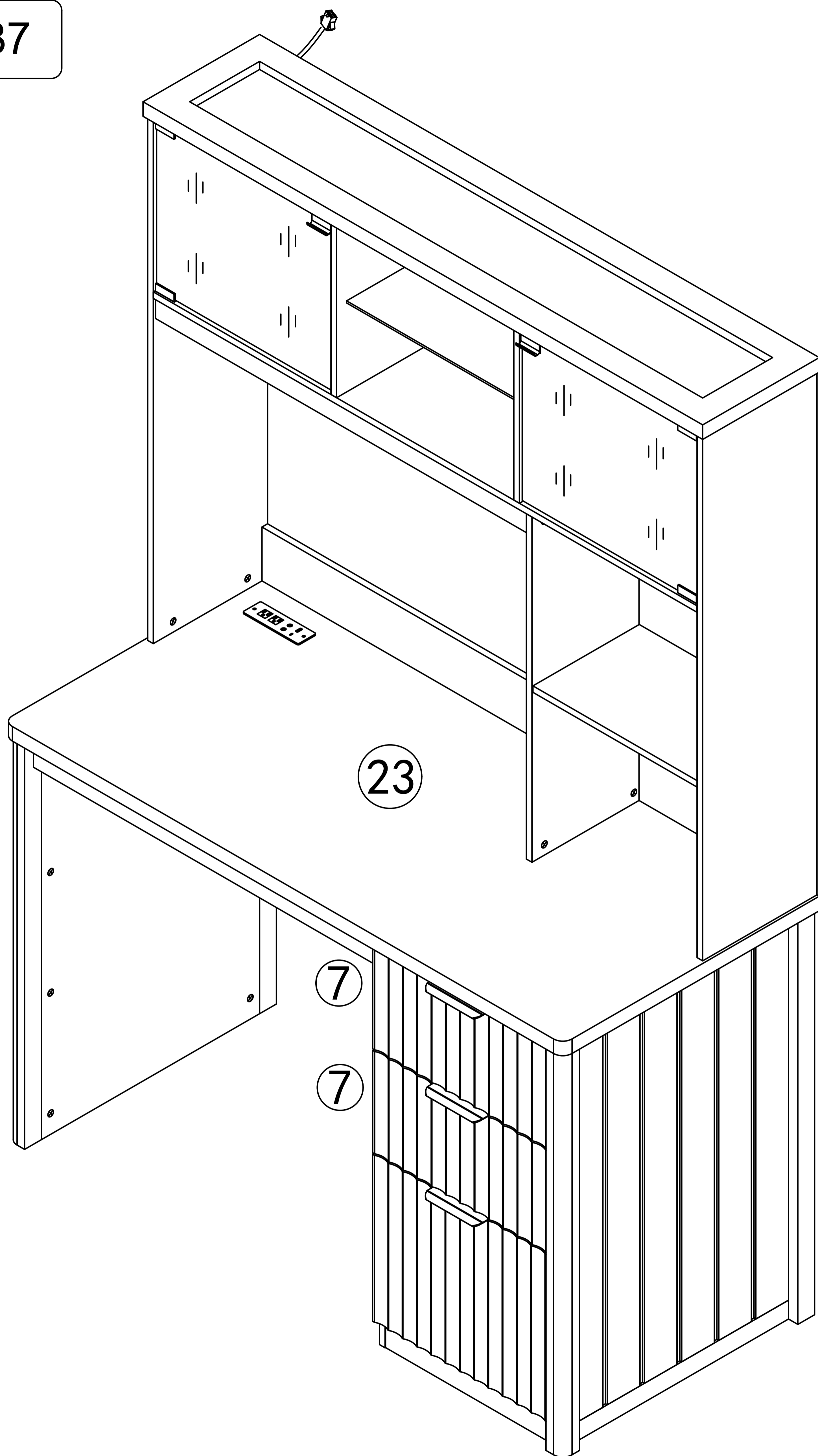
As shown, When installing the drawer, pull the guide rail out first, Slide beads are also pulled out.

Step 86



If a large gap is found after installing the drawer the slide rail can be moved up and down to adjust the gap

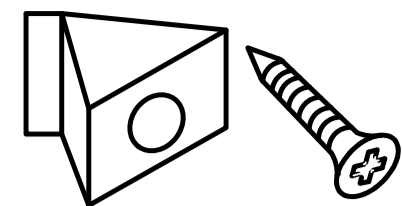
Step 87



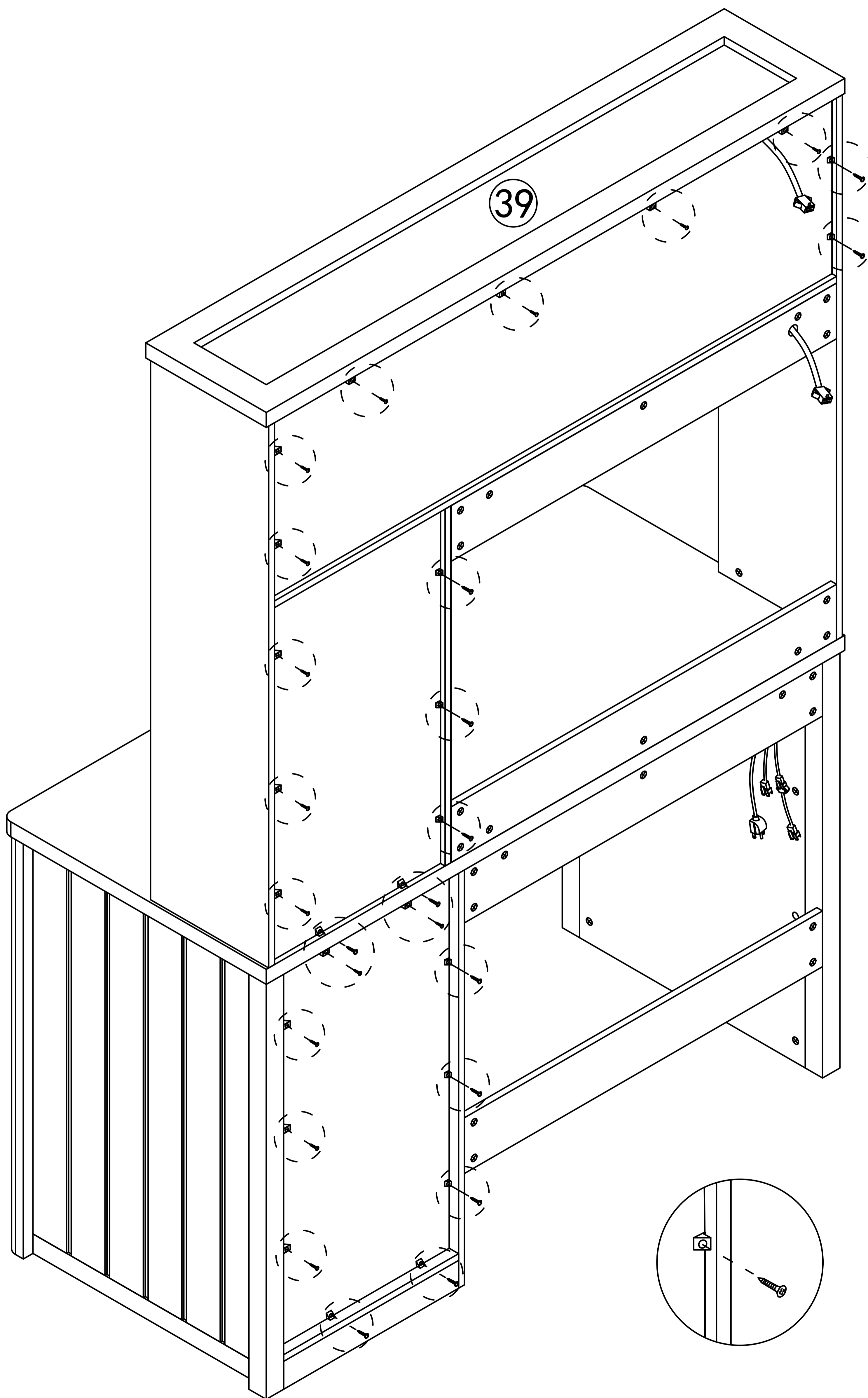
Repeat the drawer installation steps

Step 88

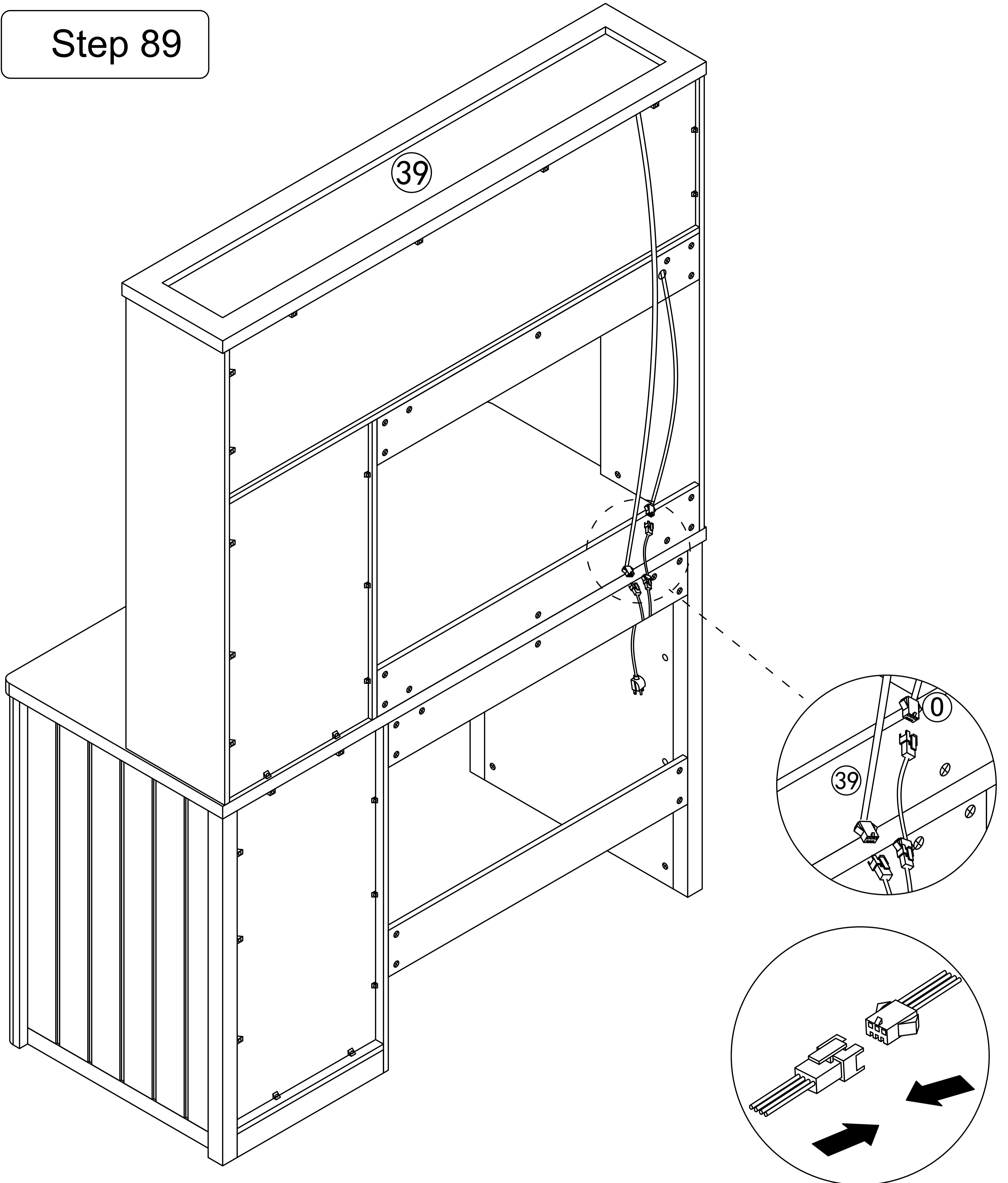
M



x26



Step 89

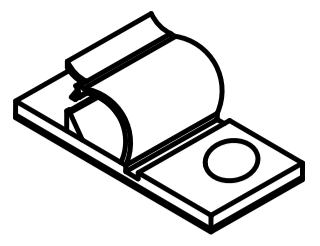


Long wire: O interface

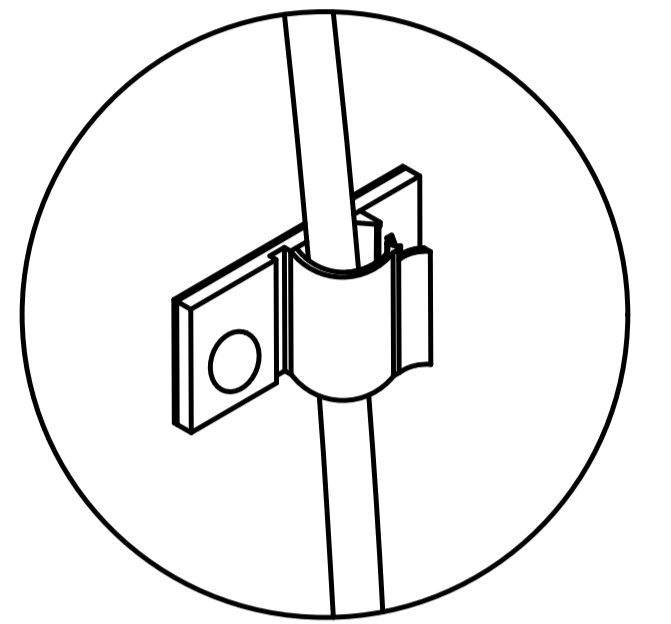
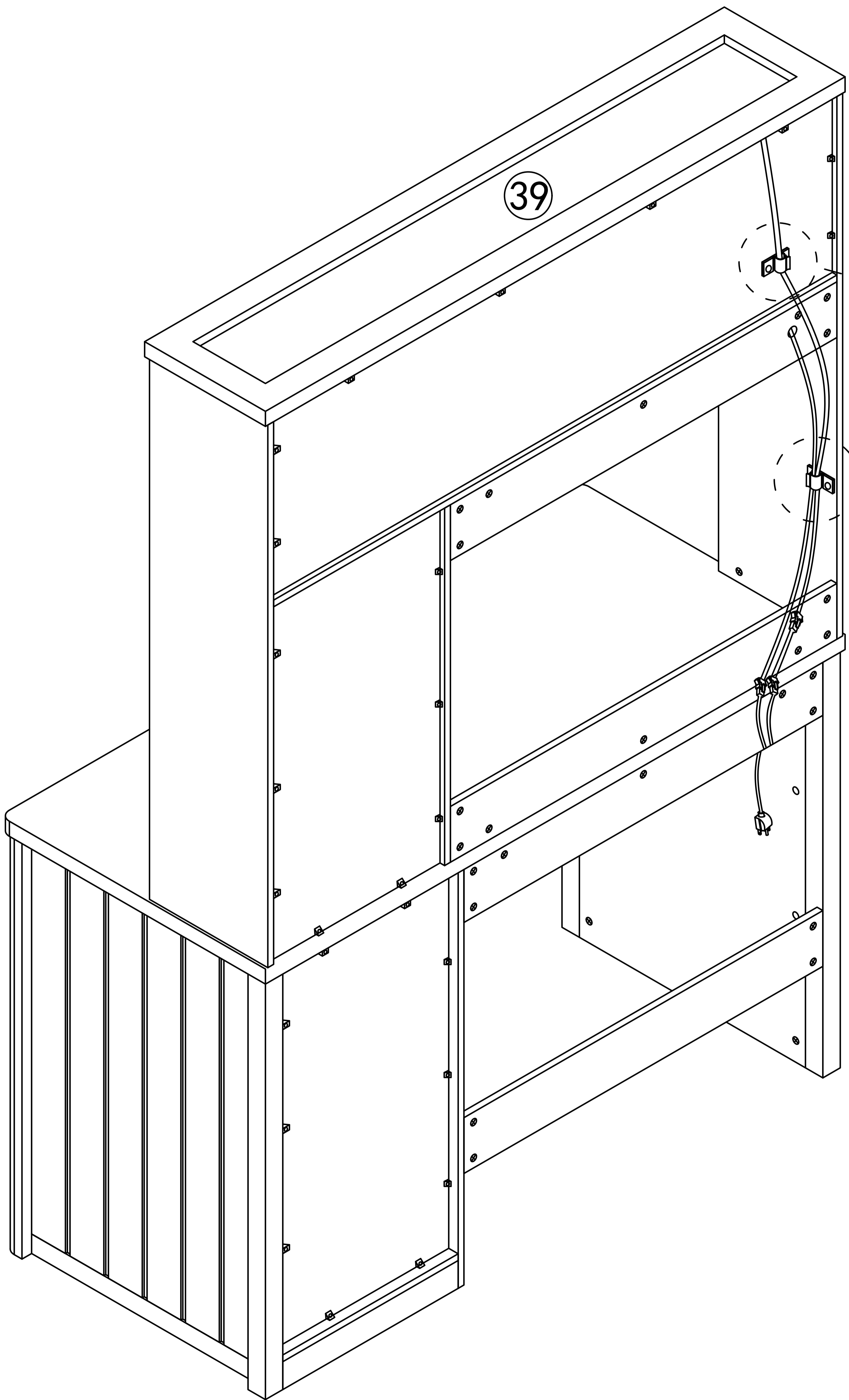
Short wire: Board 39 interface

Step 90

N

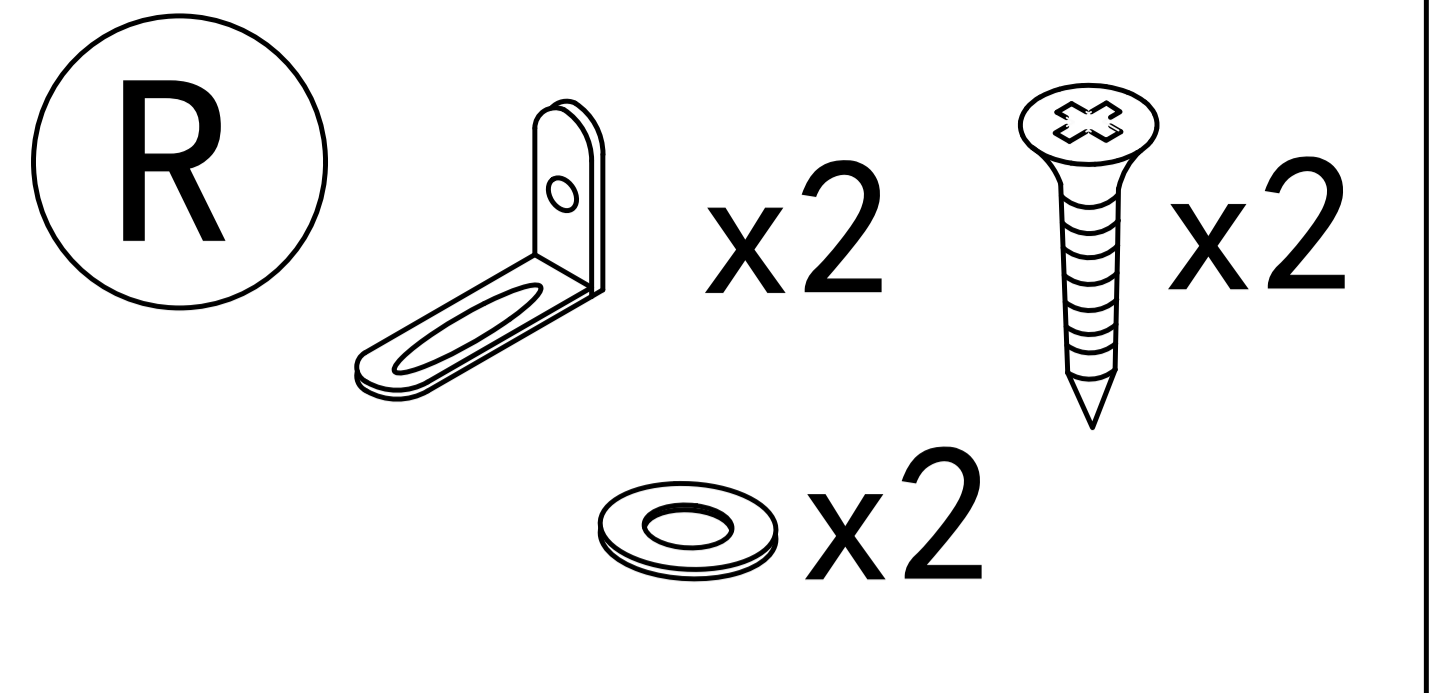


x2

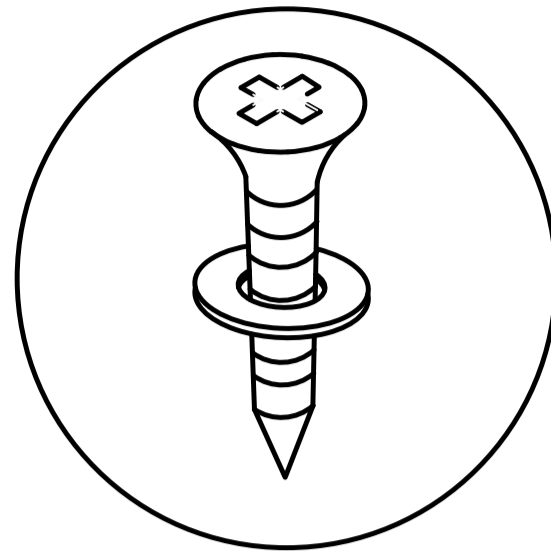


Step 91

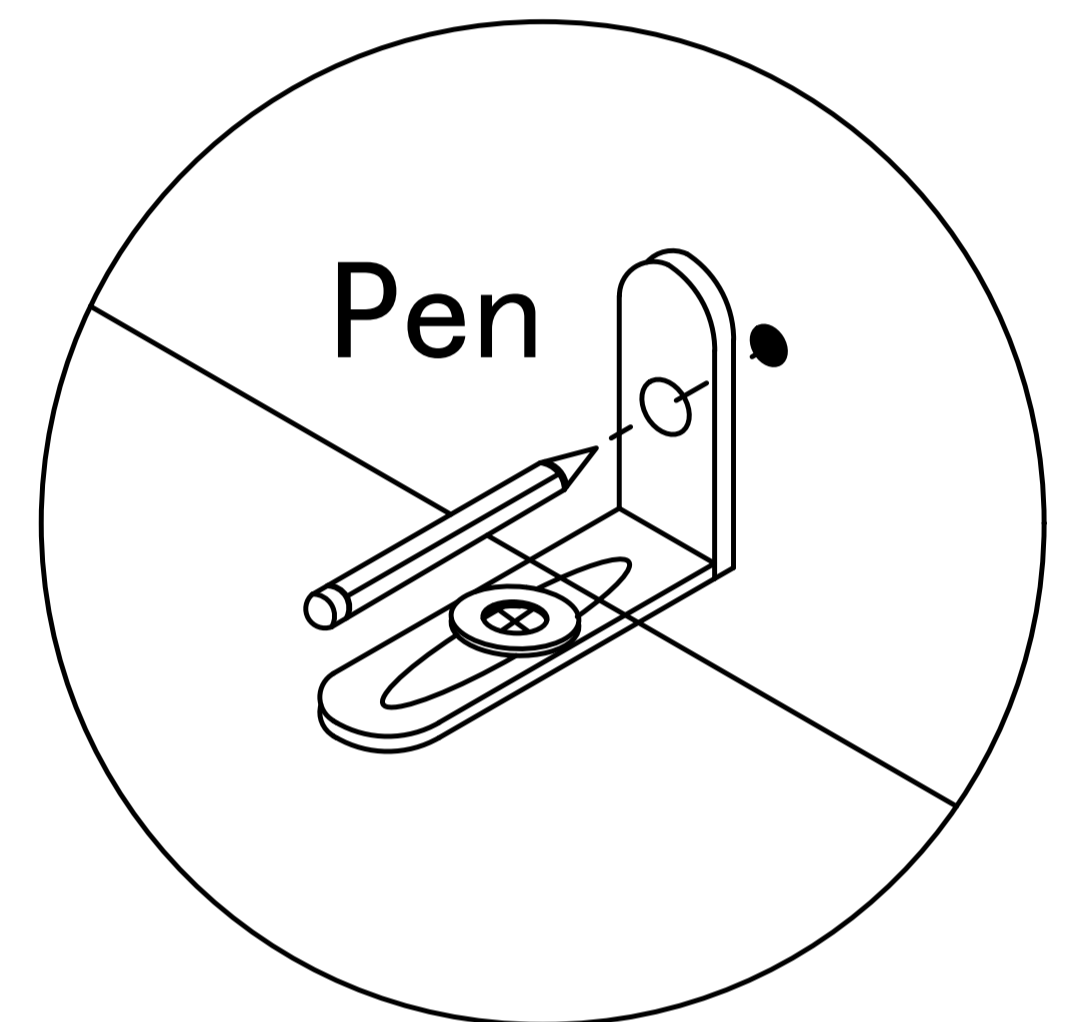
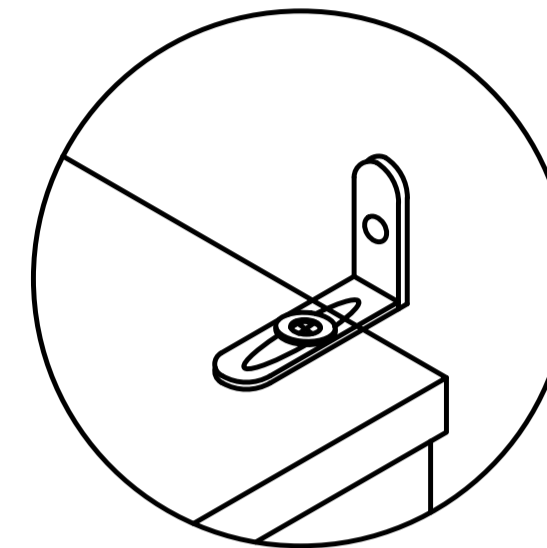
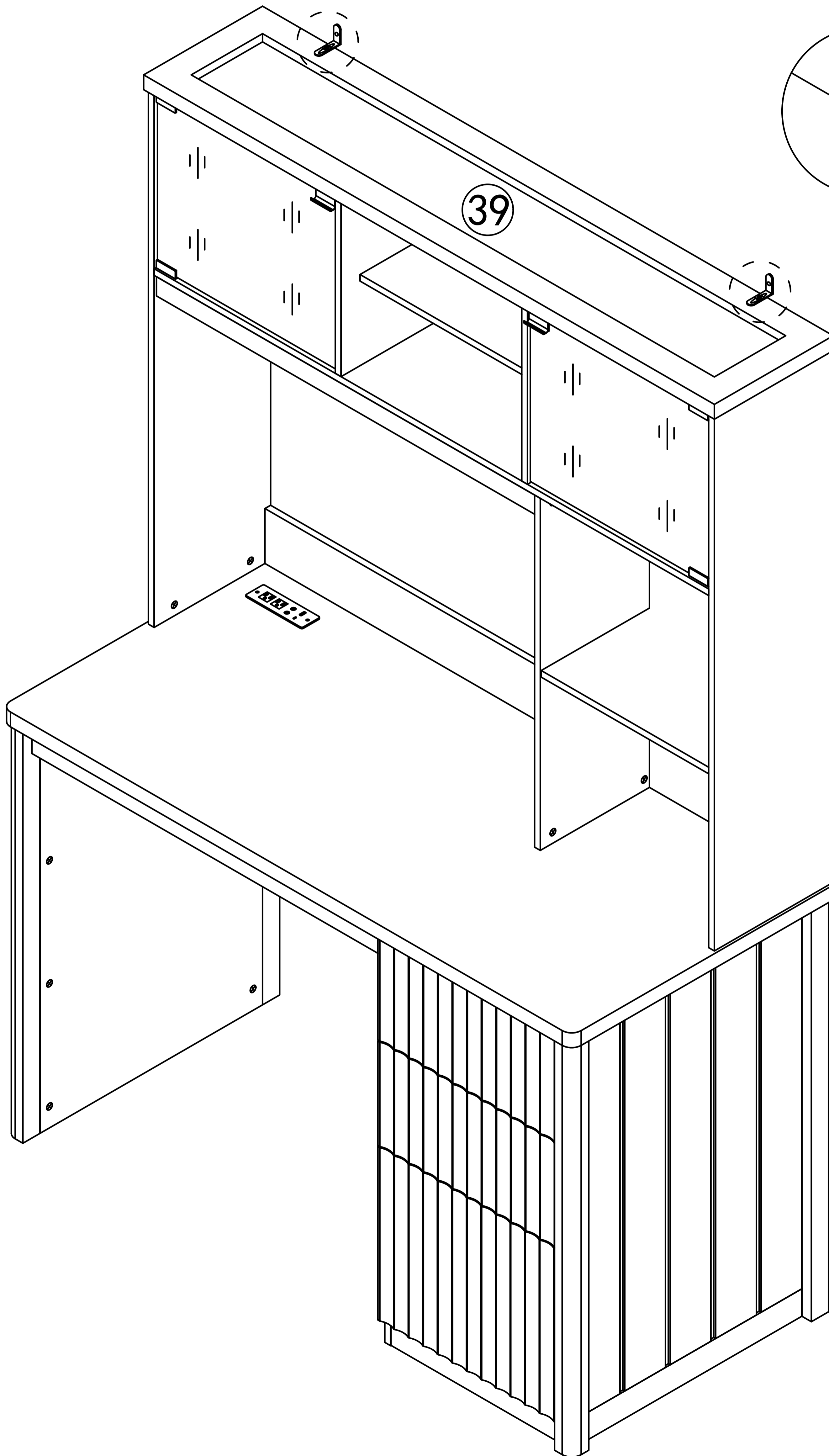
Install as required



3.5x14mm



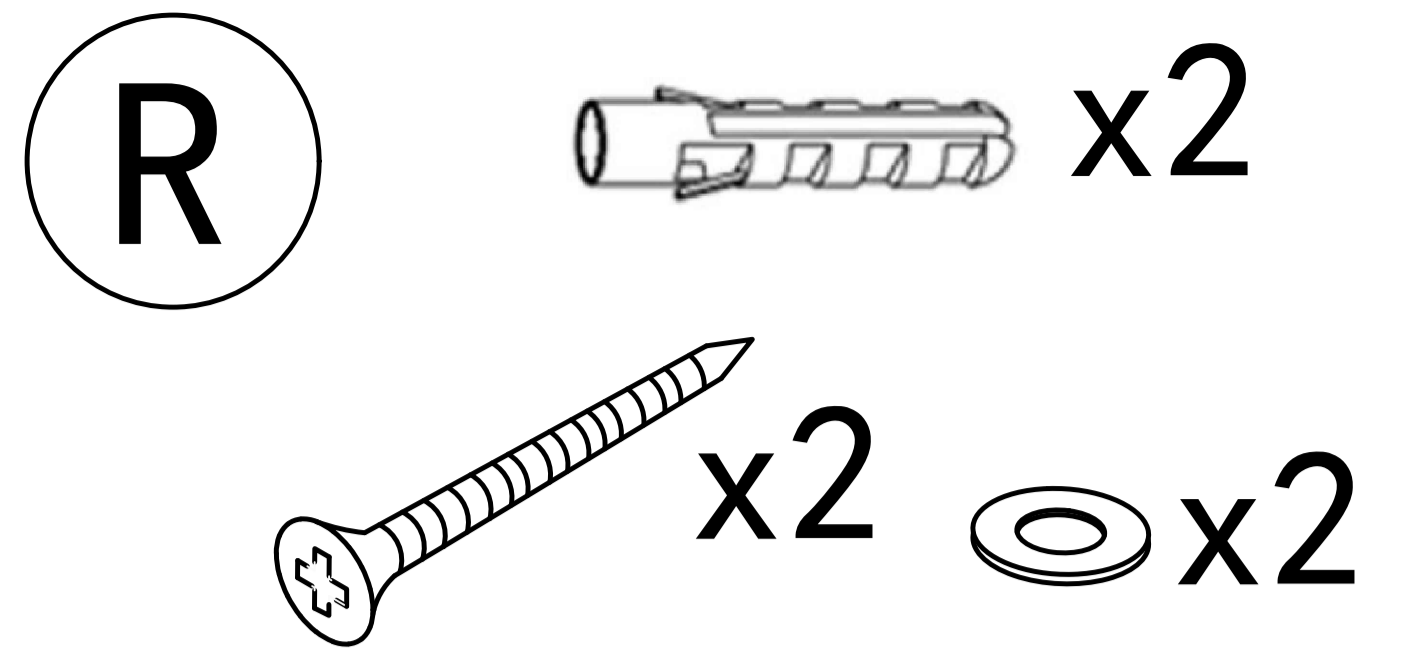
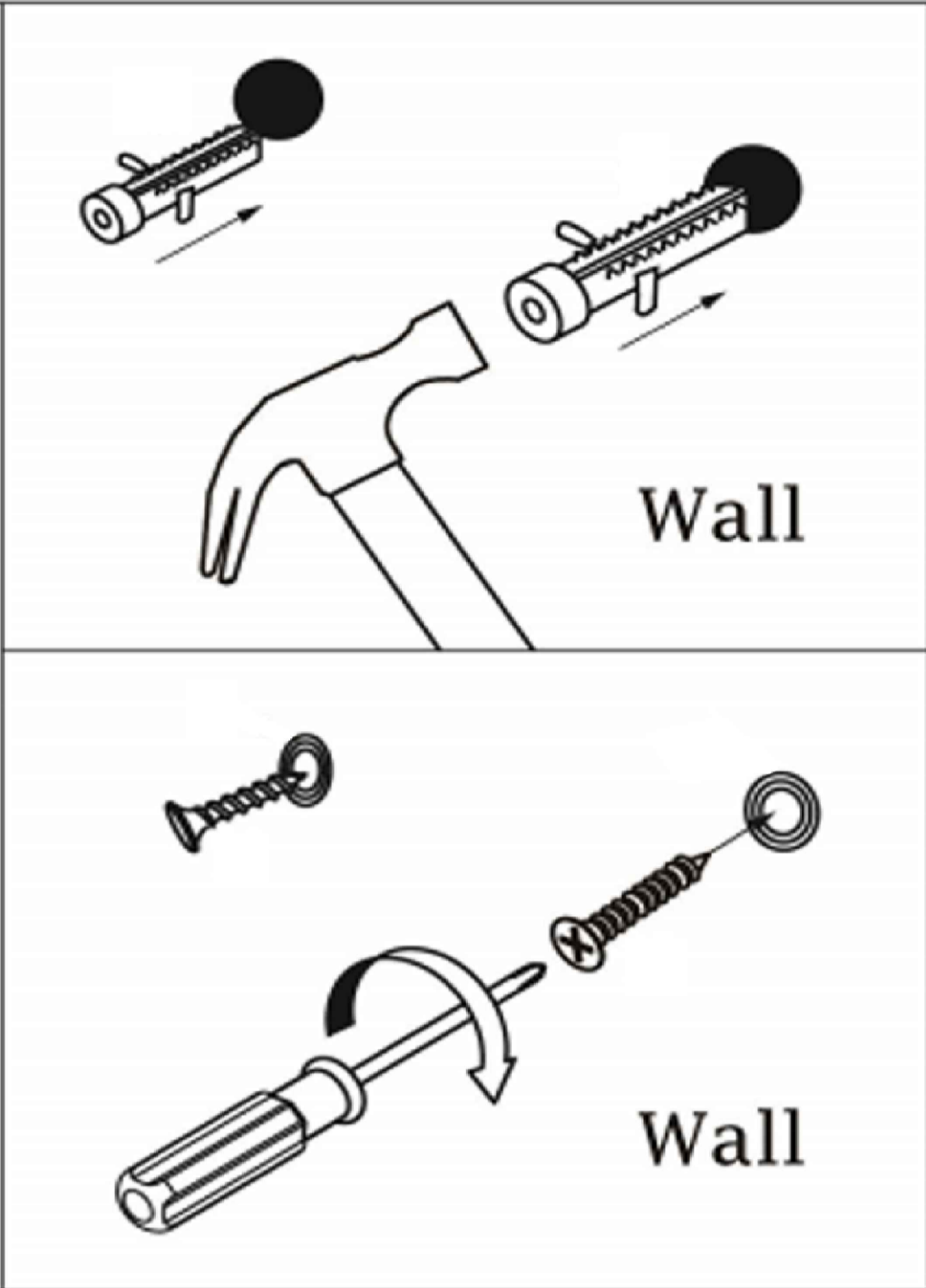
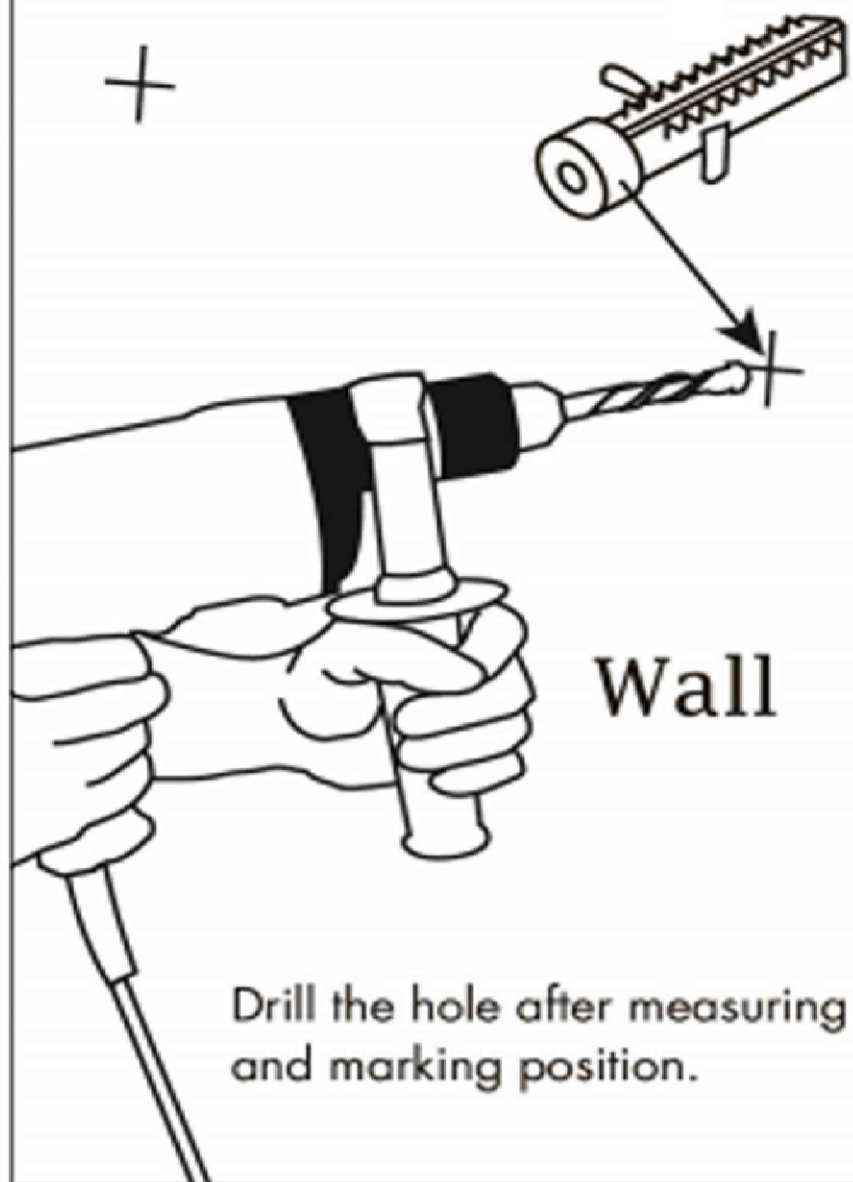
Install the anti fall hardware on the cabinet as shown in the picture first



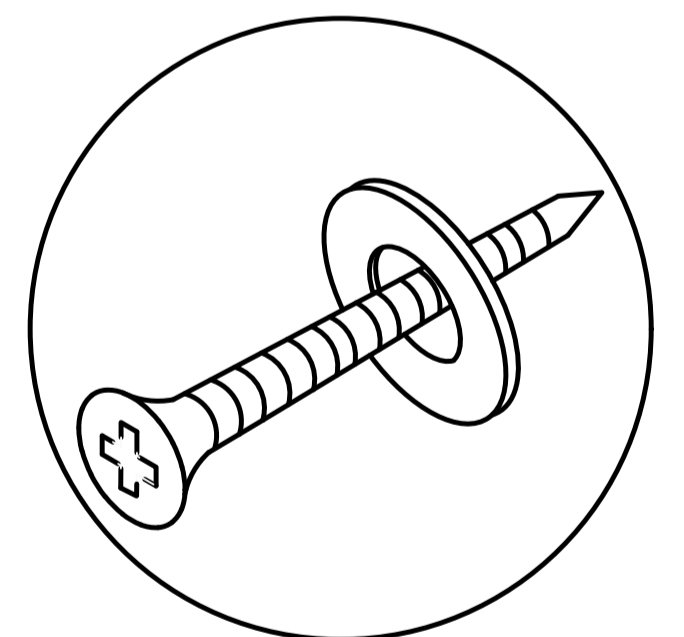
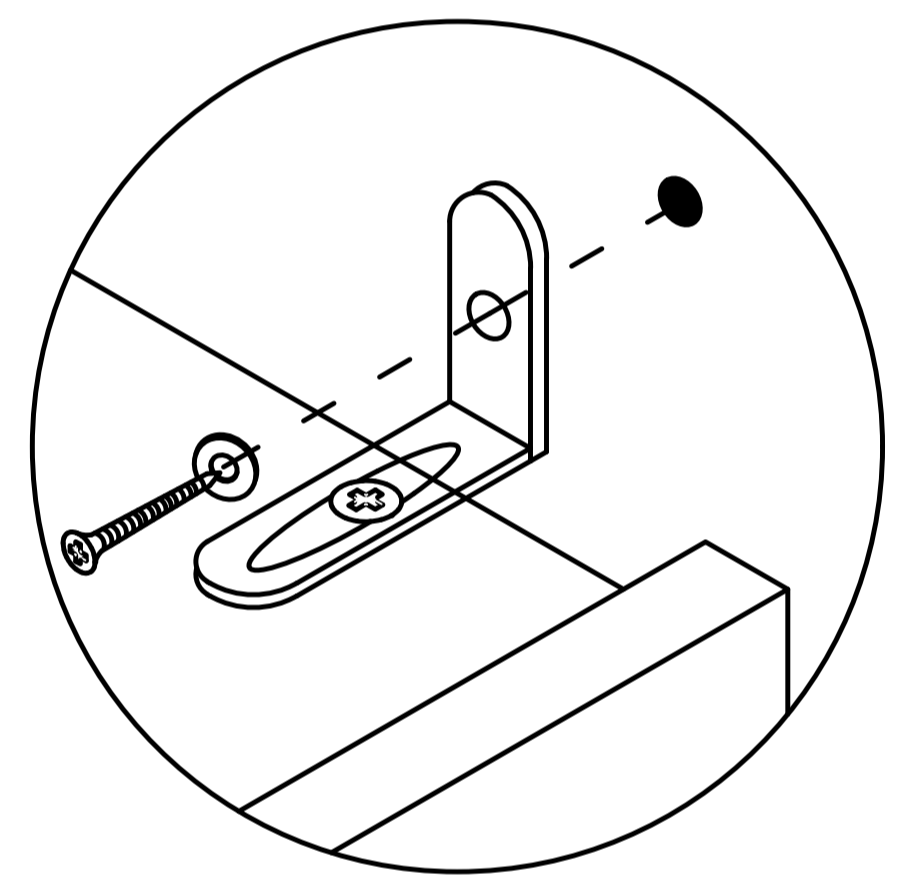
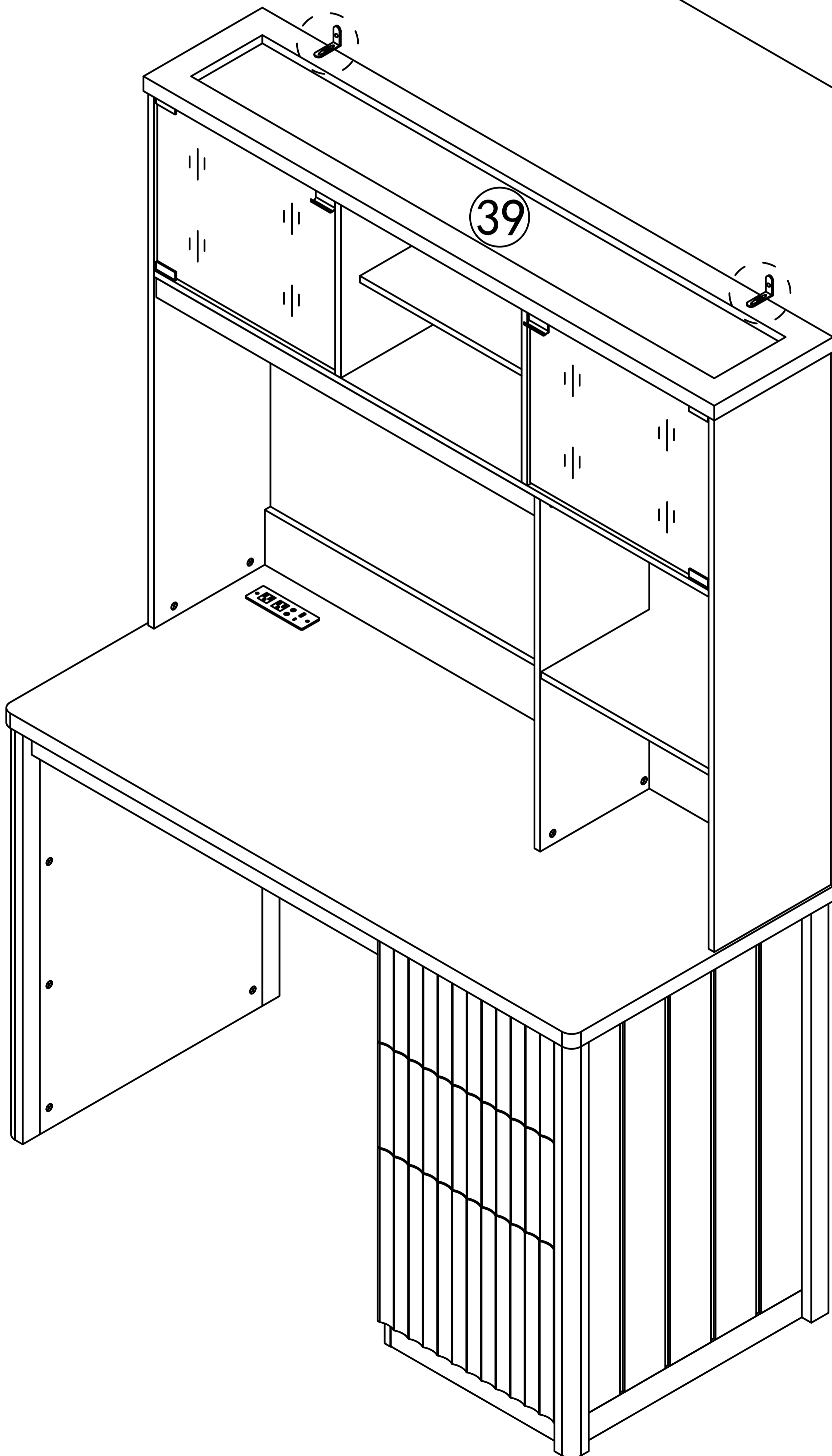
Then mark the wall with a pen through the holes in the anti-fall hardware

# Step 92

Wall Mount



Drill the hole with an electric drill and punch in the colloidal particles



4x45mm

Fix the dressing table to the wall

## User's Guide

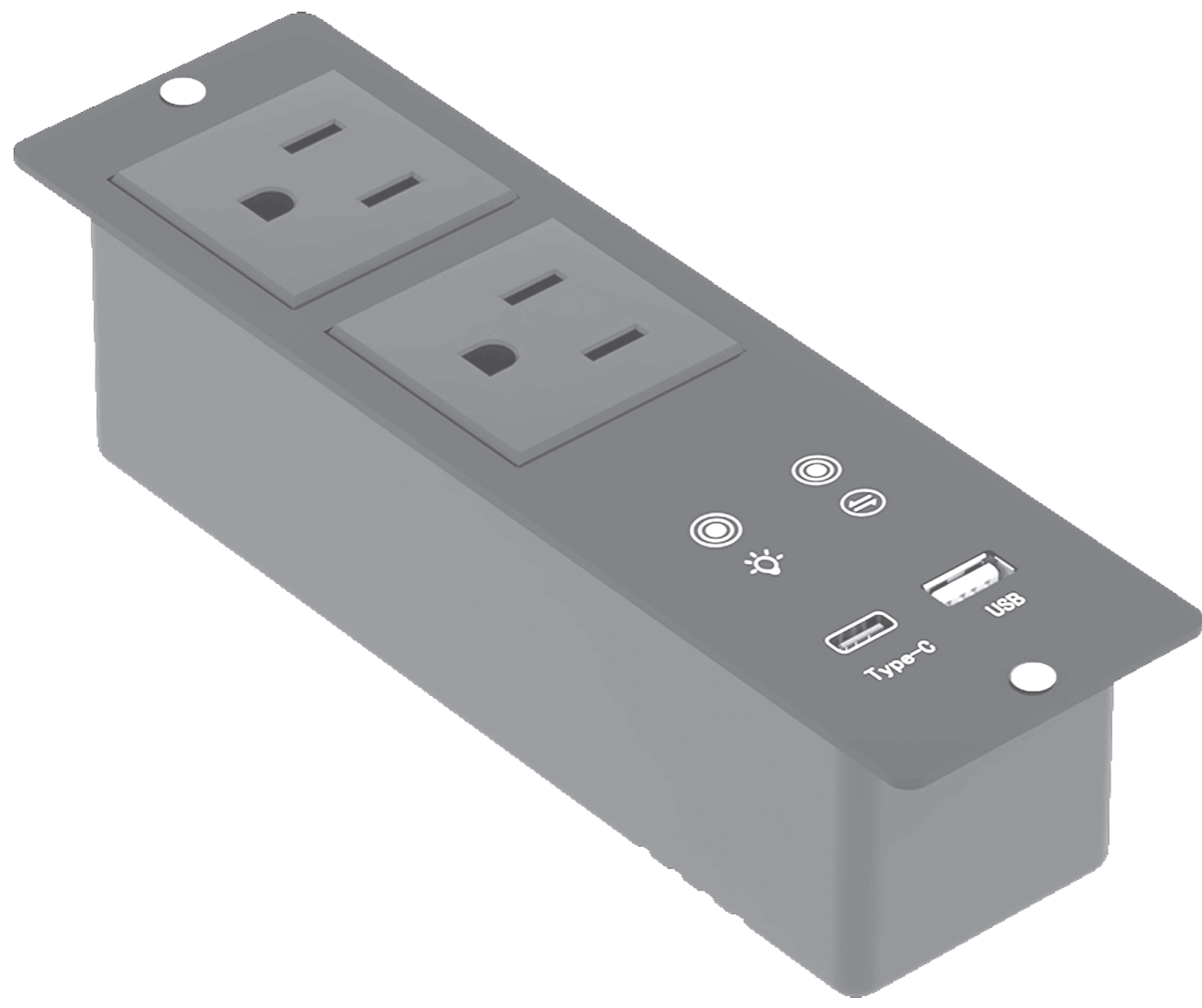
Thank you for purchasing this product.

To use this product, please connect it to a power source.

Please use if the product works normally after connecting to power.

## Introduction

The box is an intelligent controller. It has 1 USB output port 1 Type-c port and can distribute the current output up to 5V DC-2A. With 2 touch buttons, it can turn. ON/OFF the light, change light colors, and adjust the light luminance.



## Operation



This touch button controls the on/off of the light

Short touch -> lighting on -> short touch -> lighting off.

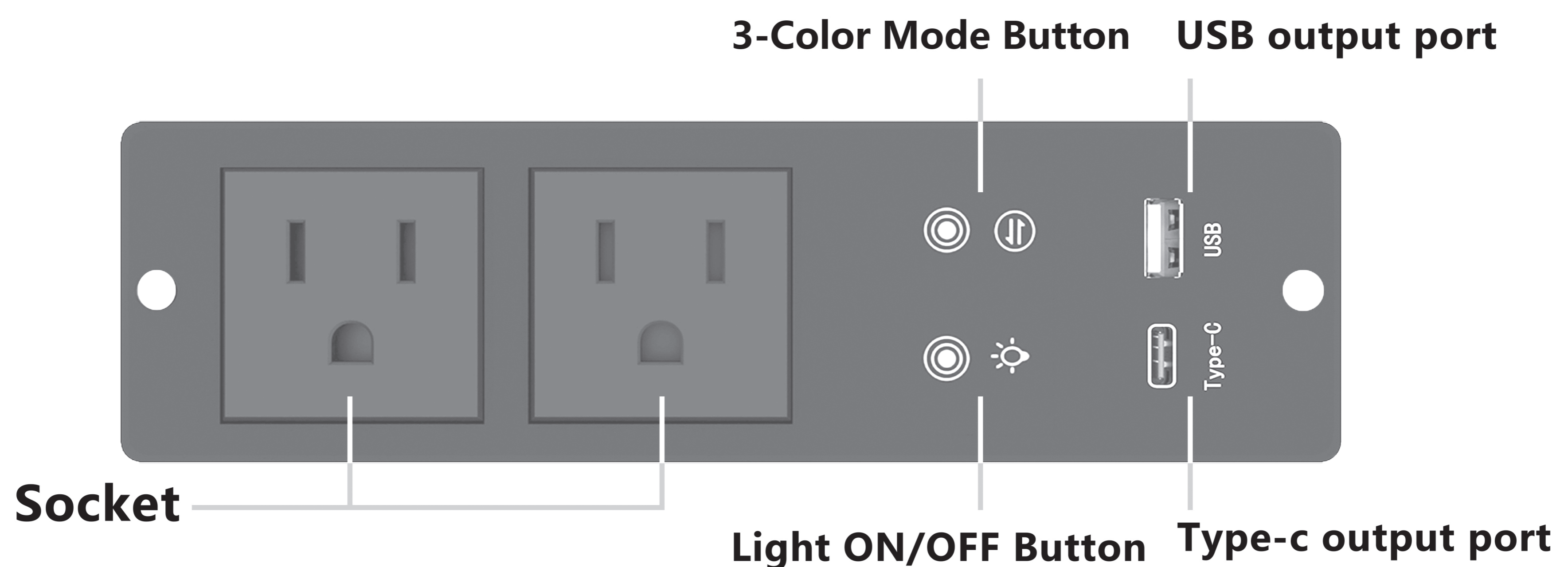


This touch button controls the color switching and brightness adjustment of the light

1. It can only be used when the light is on

2. Offering 3 different colors to choose from. Simply tap to cycle through the options.

3. Long touch -> adjust the luminance.



## ATTENTION PLEASE

1. If there is no touch response suddenly, Re-plug the power to reset the touch static electricity.

2. If you have any questions when installing, please feel free to contact us. Thank you.