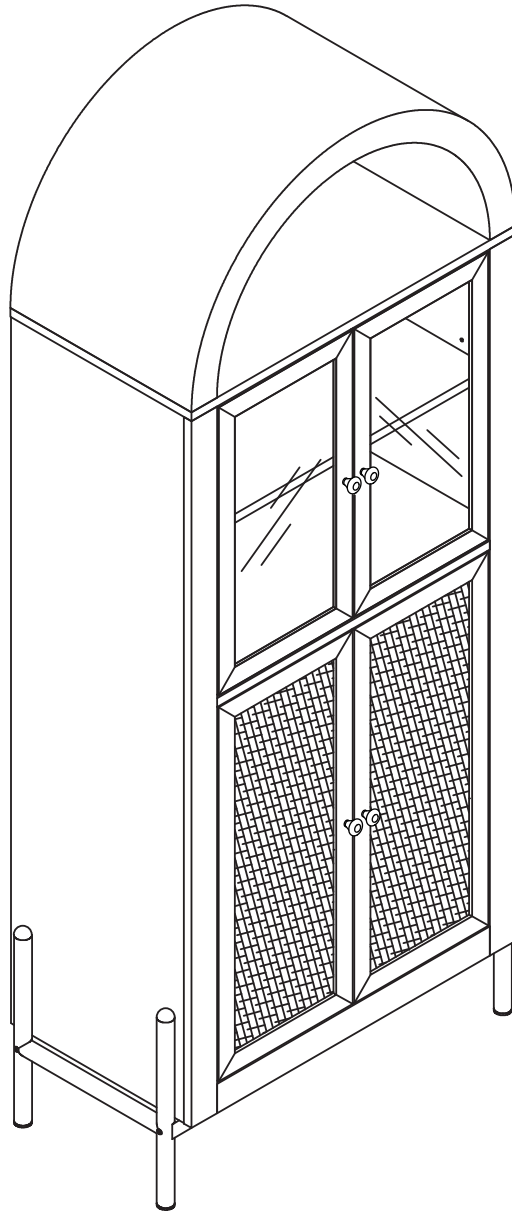


Treasures Classic Curio



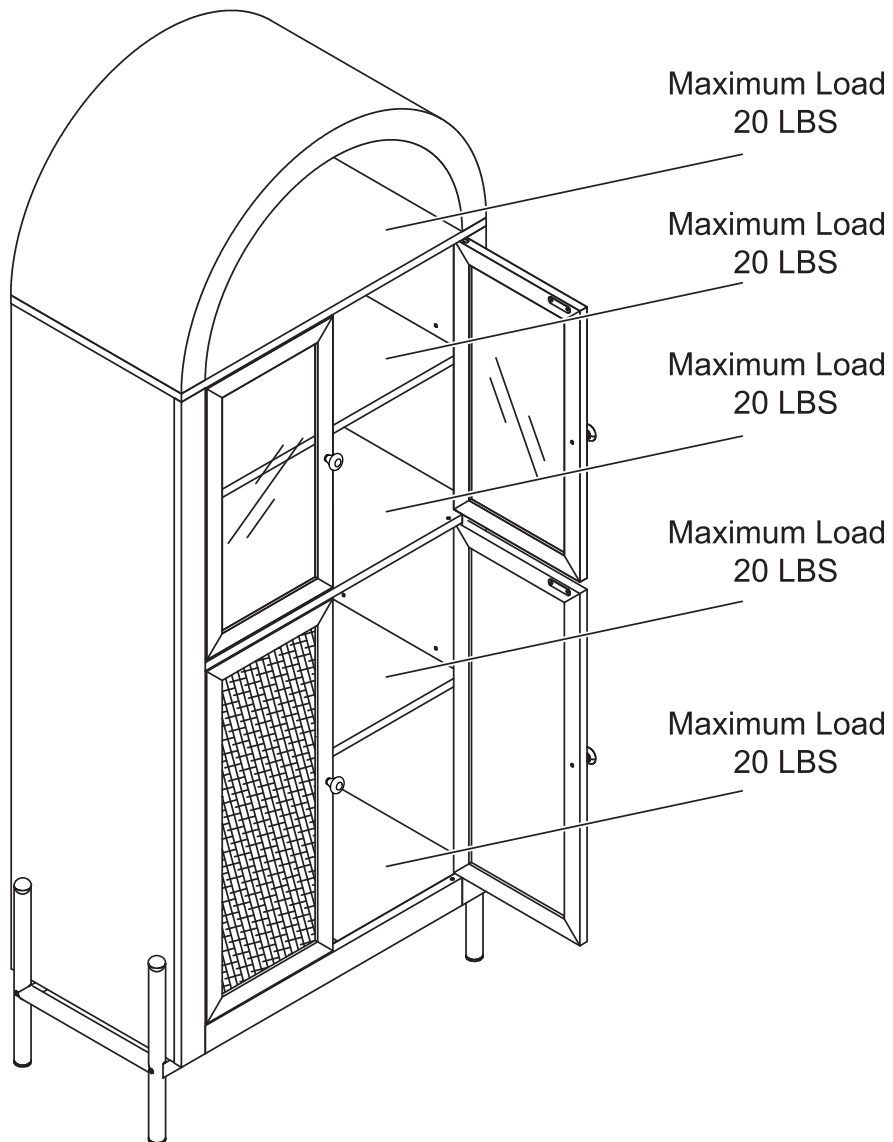


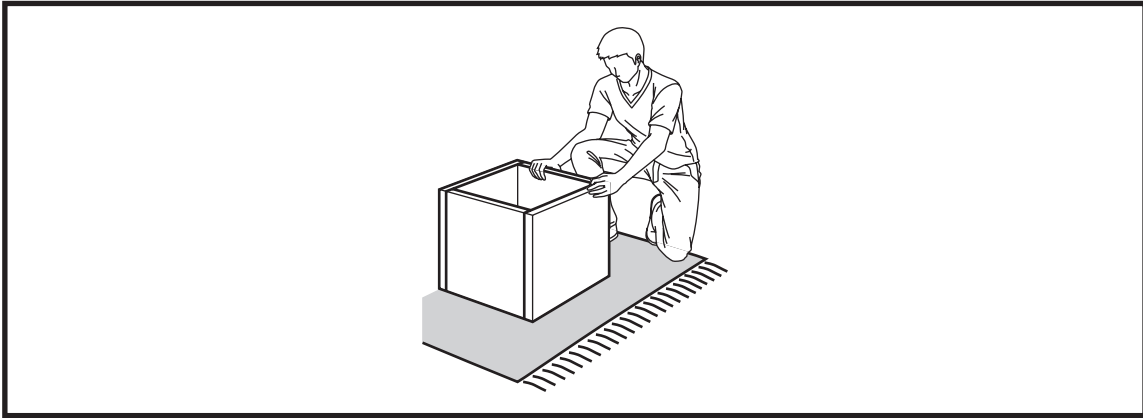
Estimated time for assembly:

90 mins



Weight limitations are as follows:

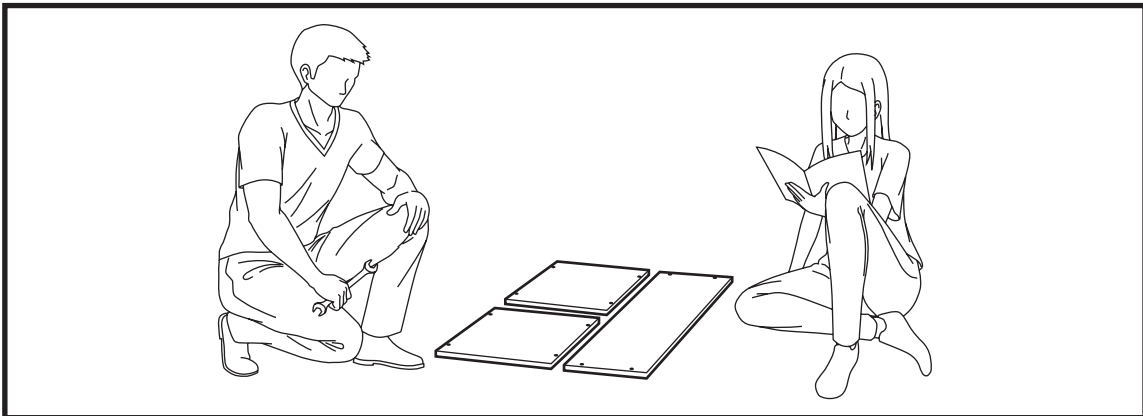




Assemble the furniture on an empty carton, carpet, or rug to prevent scratches or damage.

For safety, please keep pets and children away from the assembly area.

Ensure the product is fully assembled before use. If you are missing any hardware or products, do not use it until you have restored the missing parts.



This furniture requires 2 people for assembly.

Read this instruction manual prior to assembly to familiarize yourself with the various steps.

Lay out all components and hardware separately on a flat surface and make sure that no parts are missing or damaged before assembly. Do not destroy or discard any packaging until you are certain that you have all the necessary parts for assembly.

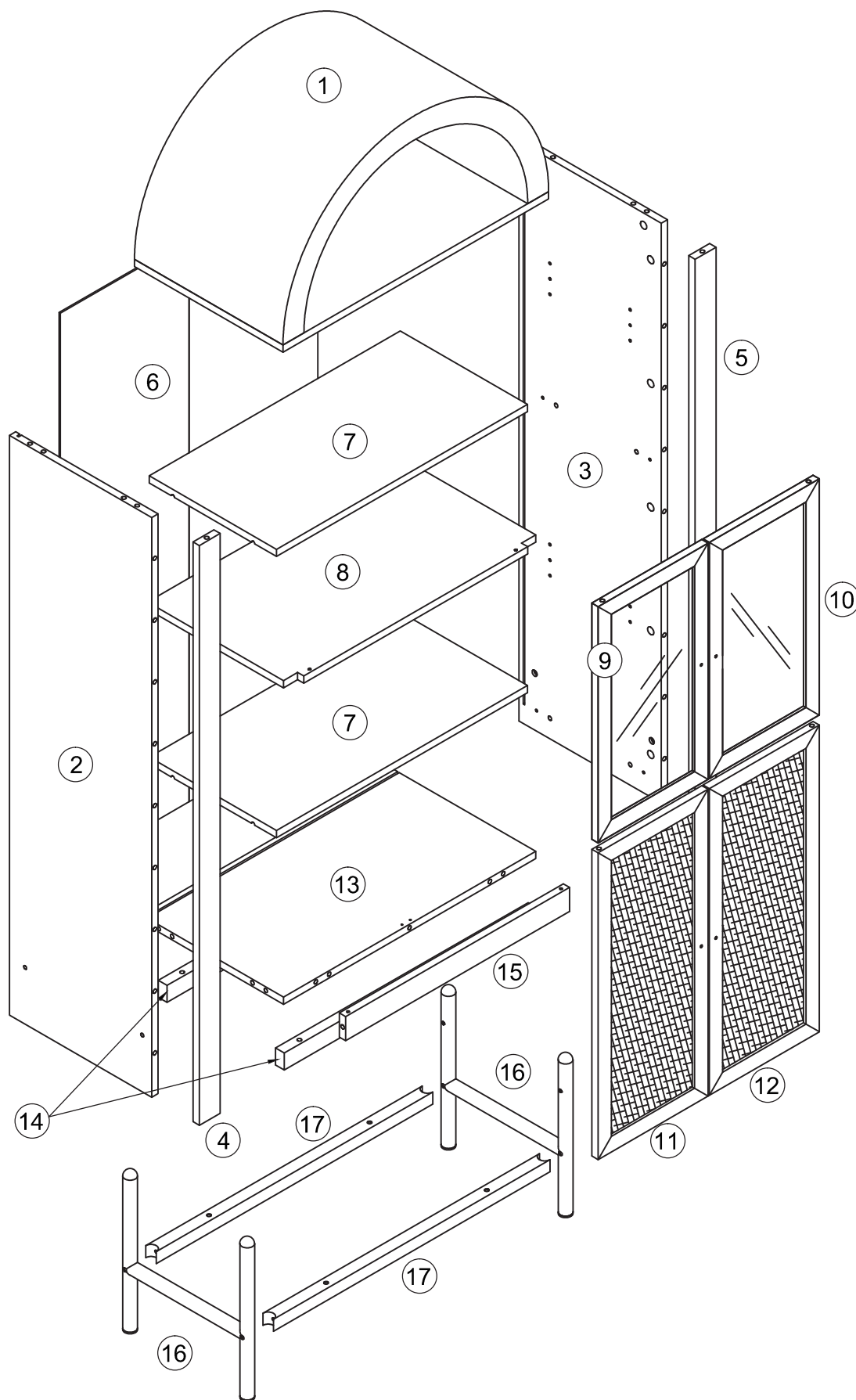
Hand tight all hardware and careful not to over tighten to avoid damaging the product.

CAUTION

There are small components used in the construction of this product. Loose items should be kept away from pets and children to avoid a choking hazard.

Keep all plastic bags and packaging film away from pets and children to avoid suffocation.

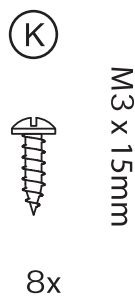
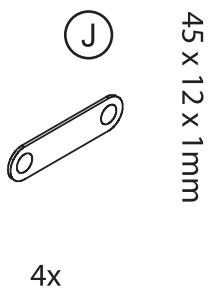
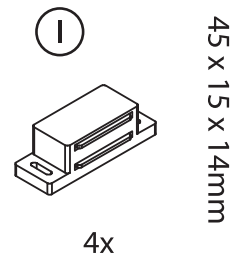
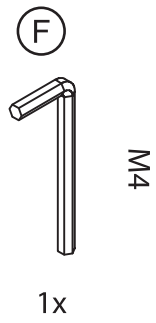
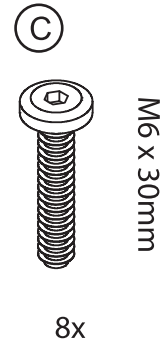
PACKAGE CONTENT



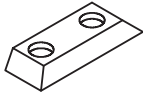
PACKAGE CONTENTS

CODE	DESCRIPTION	QTY
1	Arched Top	1
2	Left Panel	1
3	Right Panel	1
4	Right Front Strip	1
5	Left Front Strip	1
6	Back Panel	1
7	Storage Shelf Panel	2
8	Center Panel	1
9	Left small cabinet door	1
10	Right small cabinet door	1
11	Left large cabinet door	1
12	Right large cabinet door	1
13	Bottom Panel	1
14	Support Crossbar	2
15	Center Front Strip	1
16	Leg	2
17	Base Crossbar	2

PACKAGE CONTENTS



(M)



1x

(N)



Ø12 x 25mm

8x

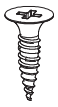
(O)



Ø7 x 18mm

8x

(P)



Ø3 x 16mm

10x+1x

(Q)



15 x 15 x 10mm

10x+1x

(R)



M6 x 25 mm

4x

(S)



Ø30mm

25x+2x

(T)



M4 x 38mm

2x

(U)



Ø8 x 40mm

2x

(V)



190 x 20mm

2x

(W)



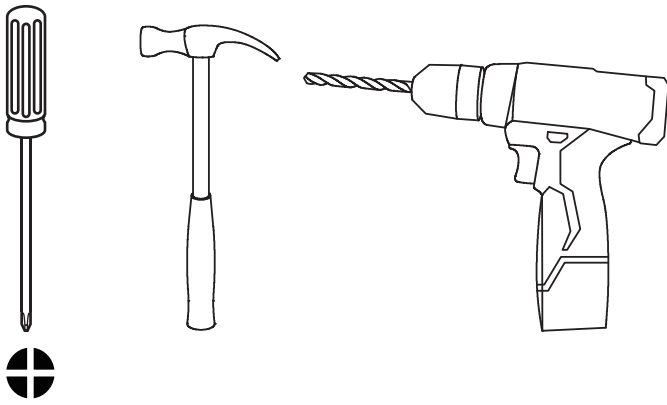
M4 x 15mm

2x



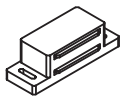
Install all hardware perpendicular to the opening.

Required tools for assembly (Not included)



1

Attach magnetic catches to the bottom side of the center panel (8).



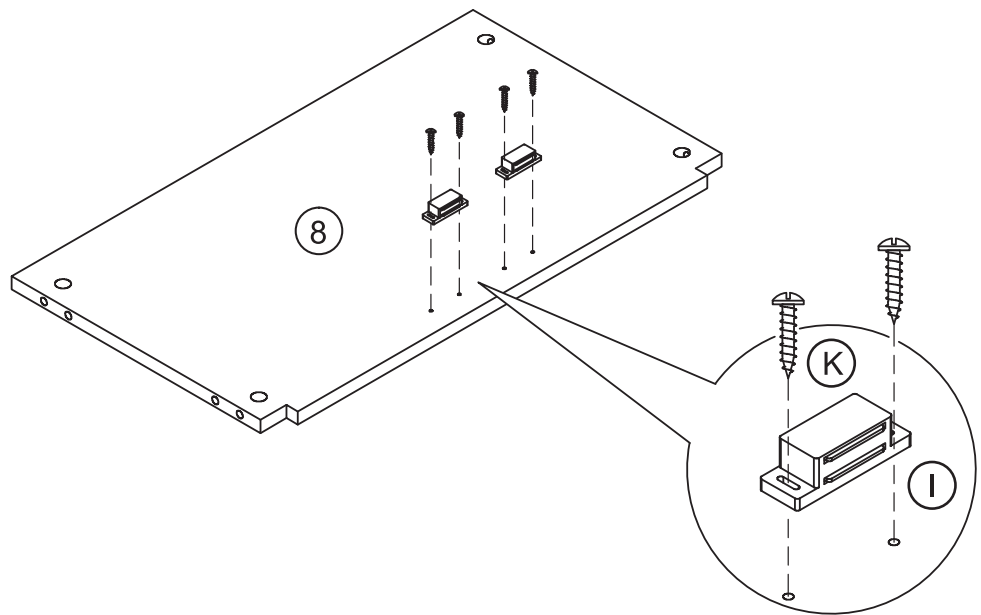
45 x 15 x 14mm

(I) 2x



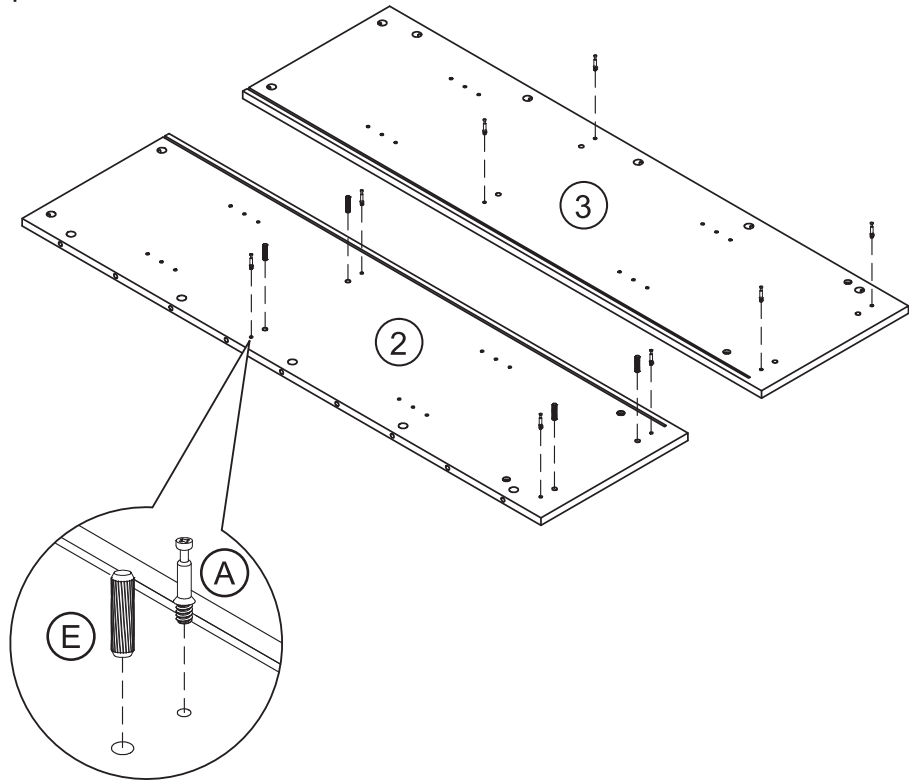
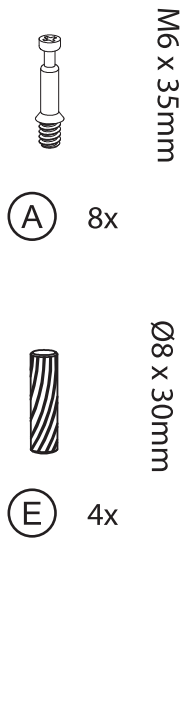
M3 x 15mm

(K) 4x



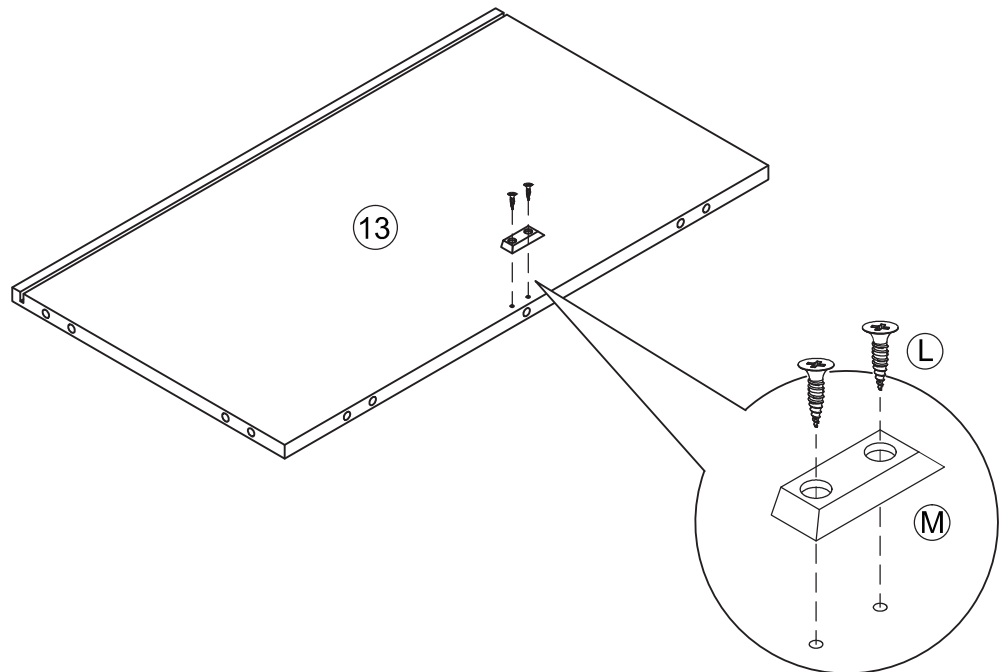
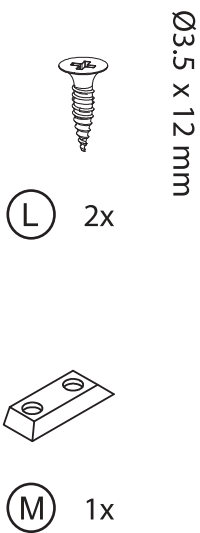
2

Attach cam bolts to the side panels (2,3), insert wood dowels to the side panels(2).



3

Attach door stop on the bottom panel(13).



4



Ø15 x 11mm

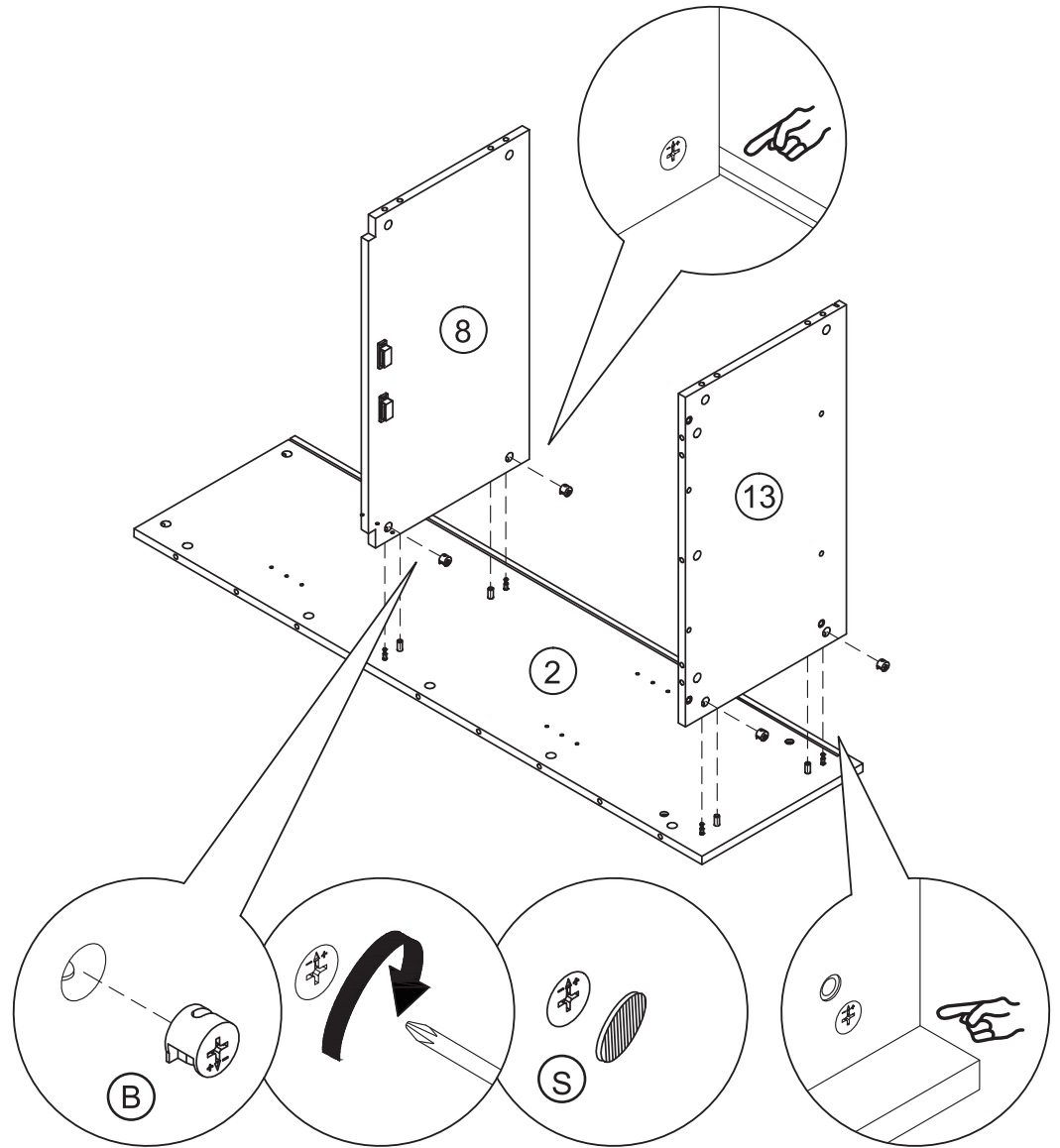
(B) 4x



Ø30mm

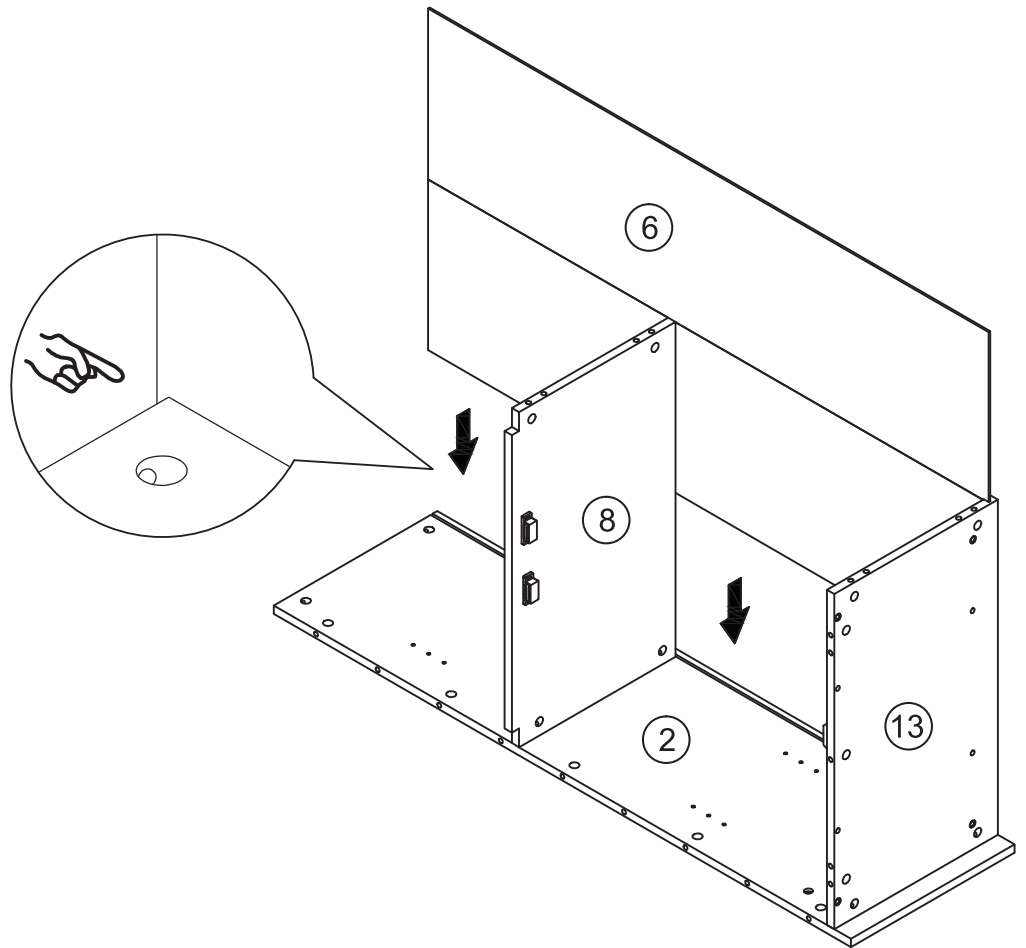
(S) 4x

Assemble the center panel (8) and bottom panel (13) to the left panel (2).



5

Slide the back panel (6) to the left panel (2) and the bottom panel (13).



6



Ø15 x 11mm

(B) 4x



Ø8 x 30mm

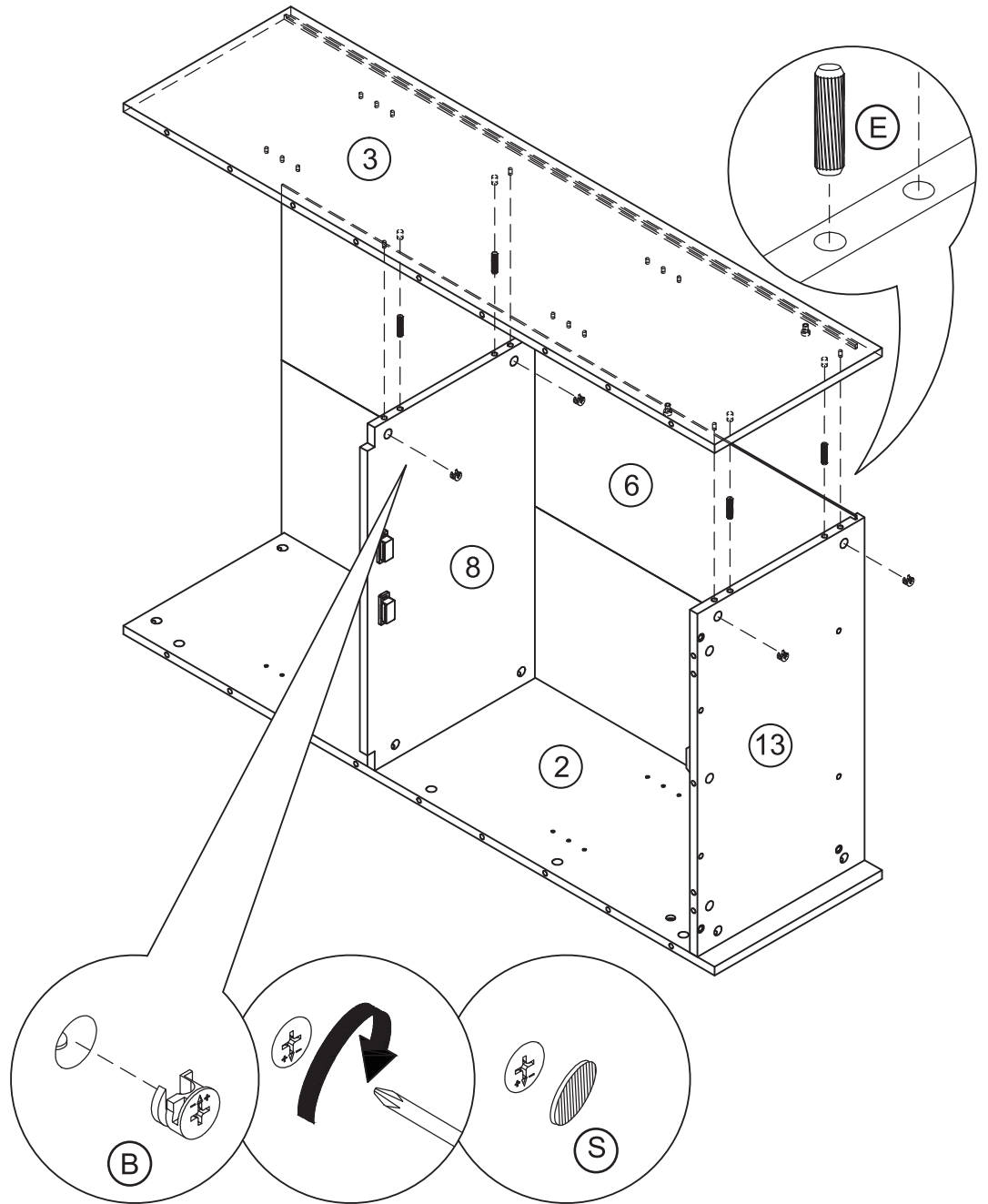
(E) 4x



Ø30mm

(S) 4x

Assemble the right panel (3) to the other side of the cabinet assembly.



7

Attach cam bolts to the front strips (4, 5, 15).



M6 x 35mm

(A)

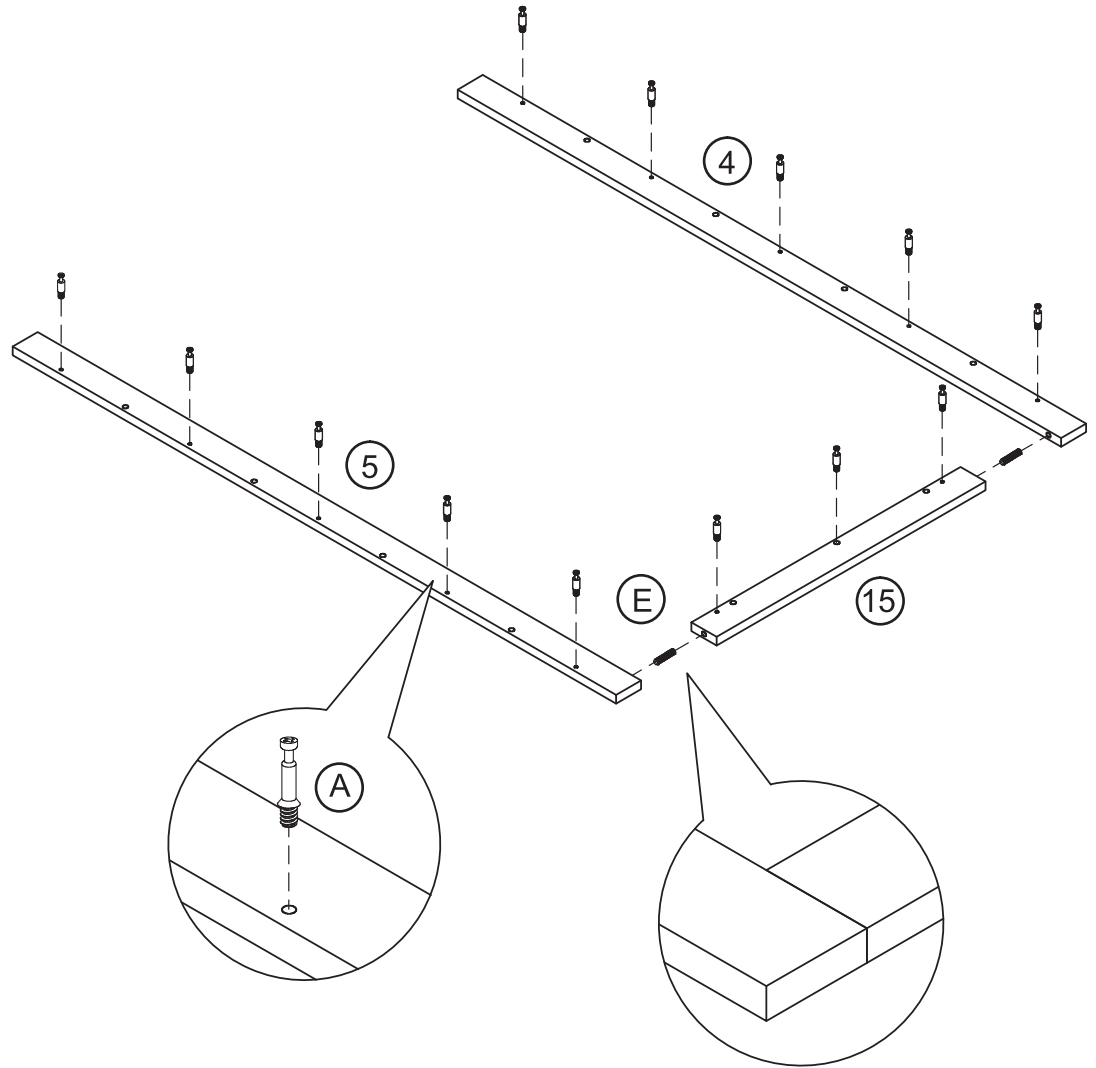
13x



Ø8 x 30mm

(E)

2x



8

Attach front strips (4, 5, 15) over the cabinet assembly.



Ø15 x 11mm

(B)

13x



Ø8 x 30mm

(E)

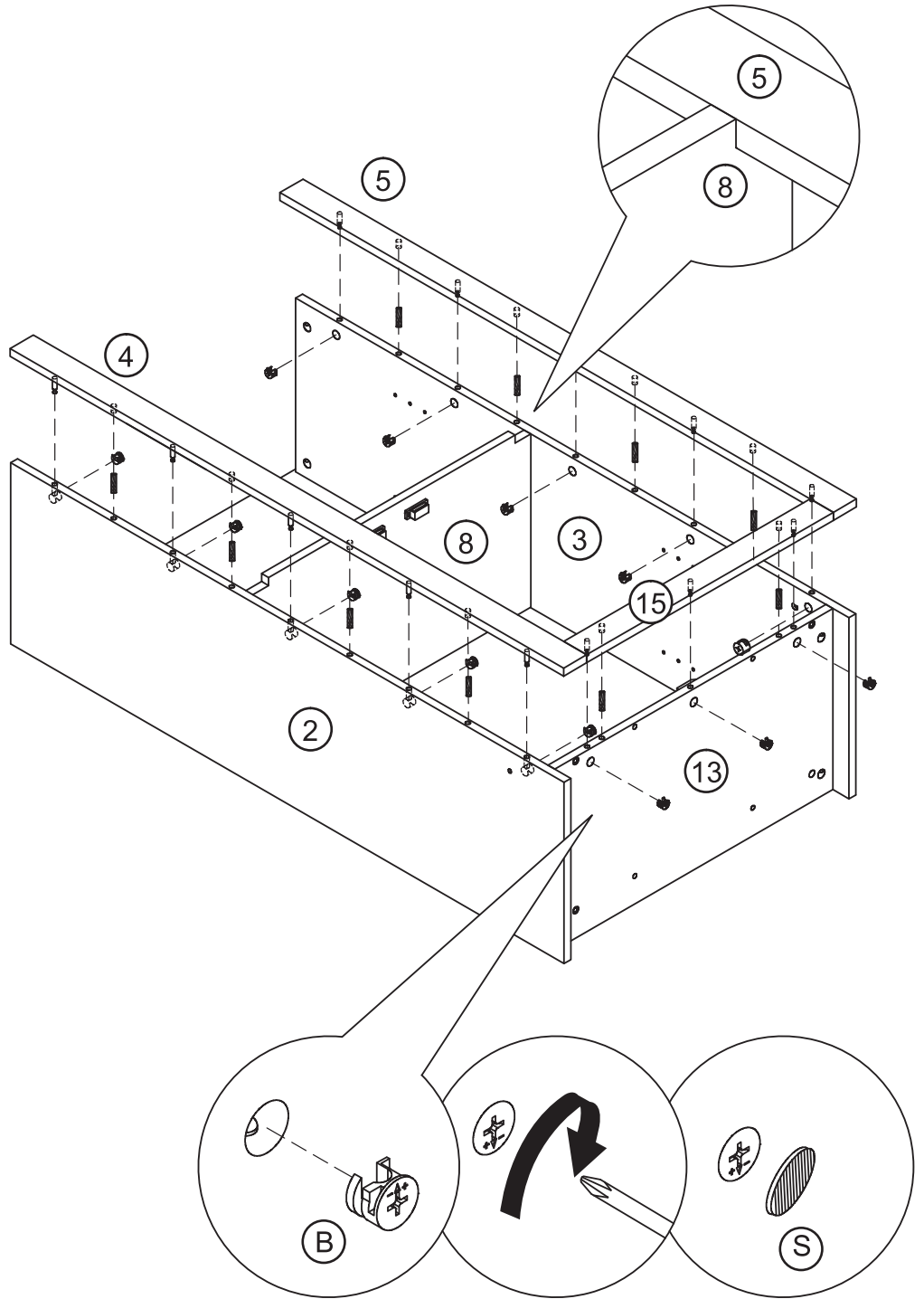
10x



Ø30mm

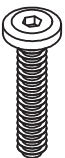





(S)

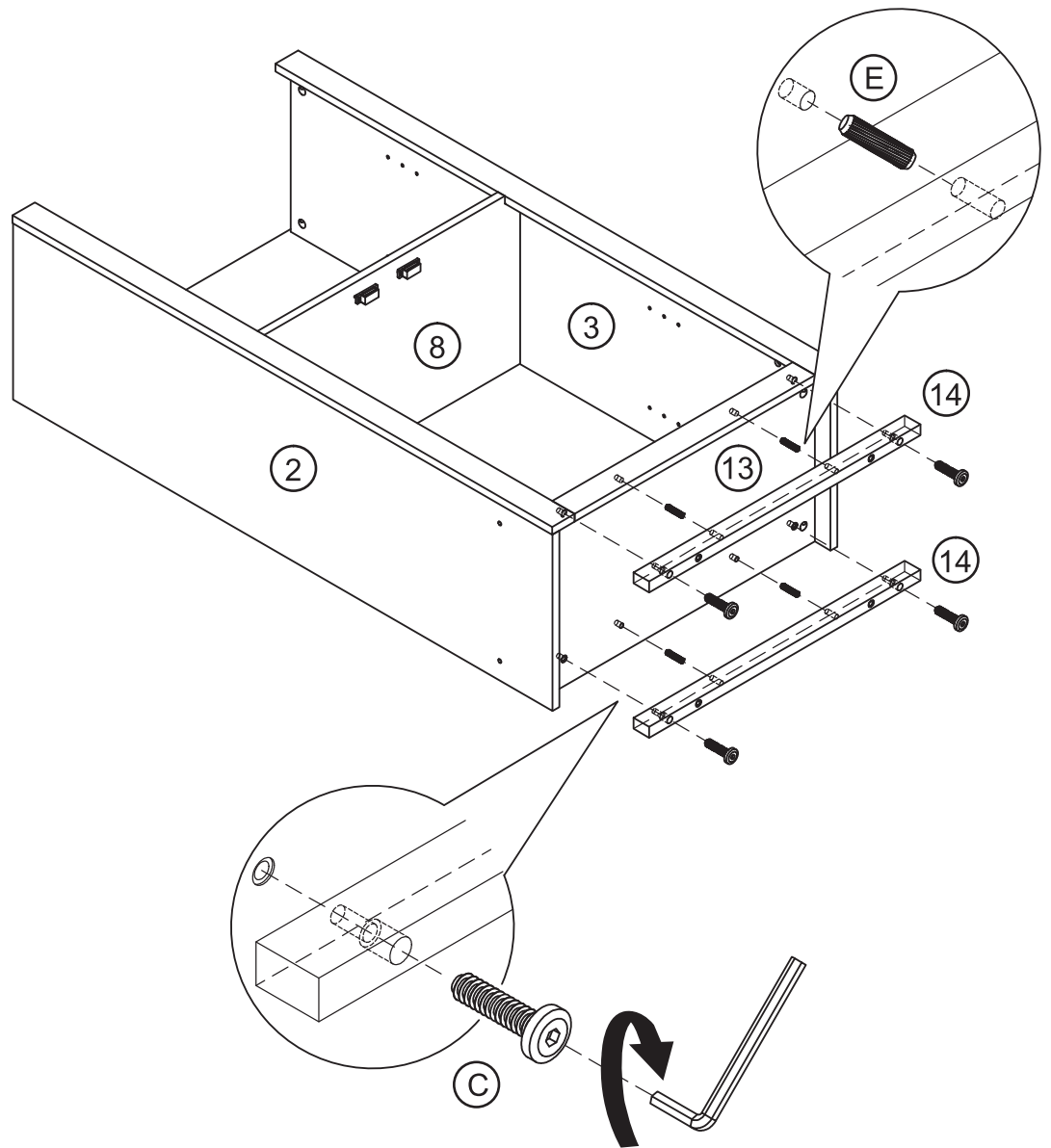
13x



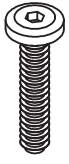
9

Assemble support crossbars (14) underneath the bottom panel (13).

-  M6 x 30mm
-  4x
-  Ø8 x 30mm
-  4x
-  M4
-  1x



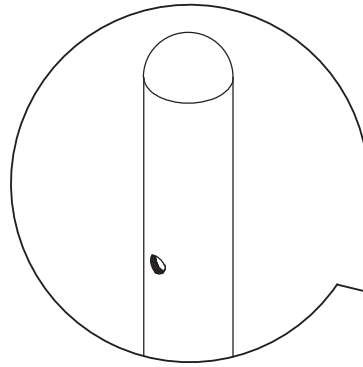
10



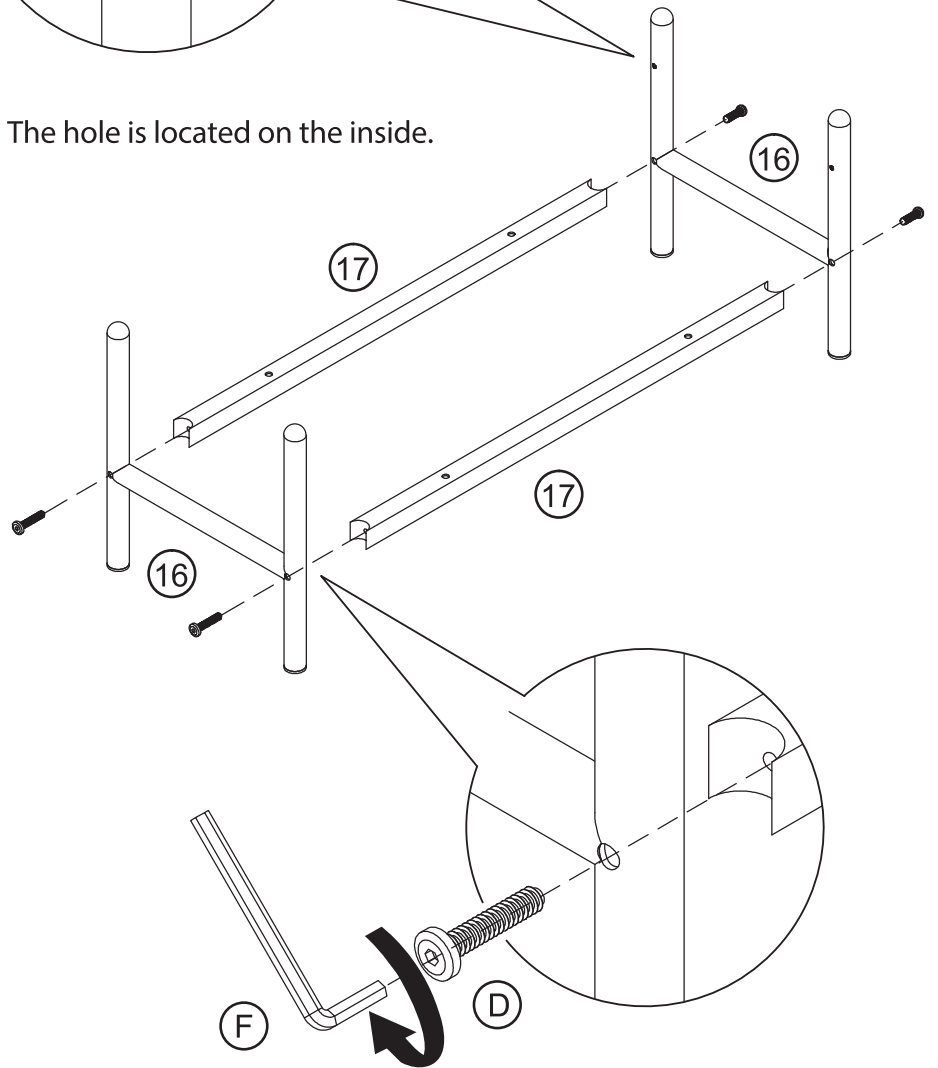
M6 x 32mm

(D) 4x

Assemble the base crossbars (17) between the legs (16).

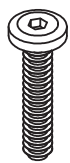


Note: The hole is located on the inside.



Note: Leave bolts 80% tightened.

11

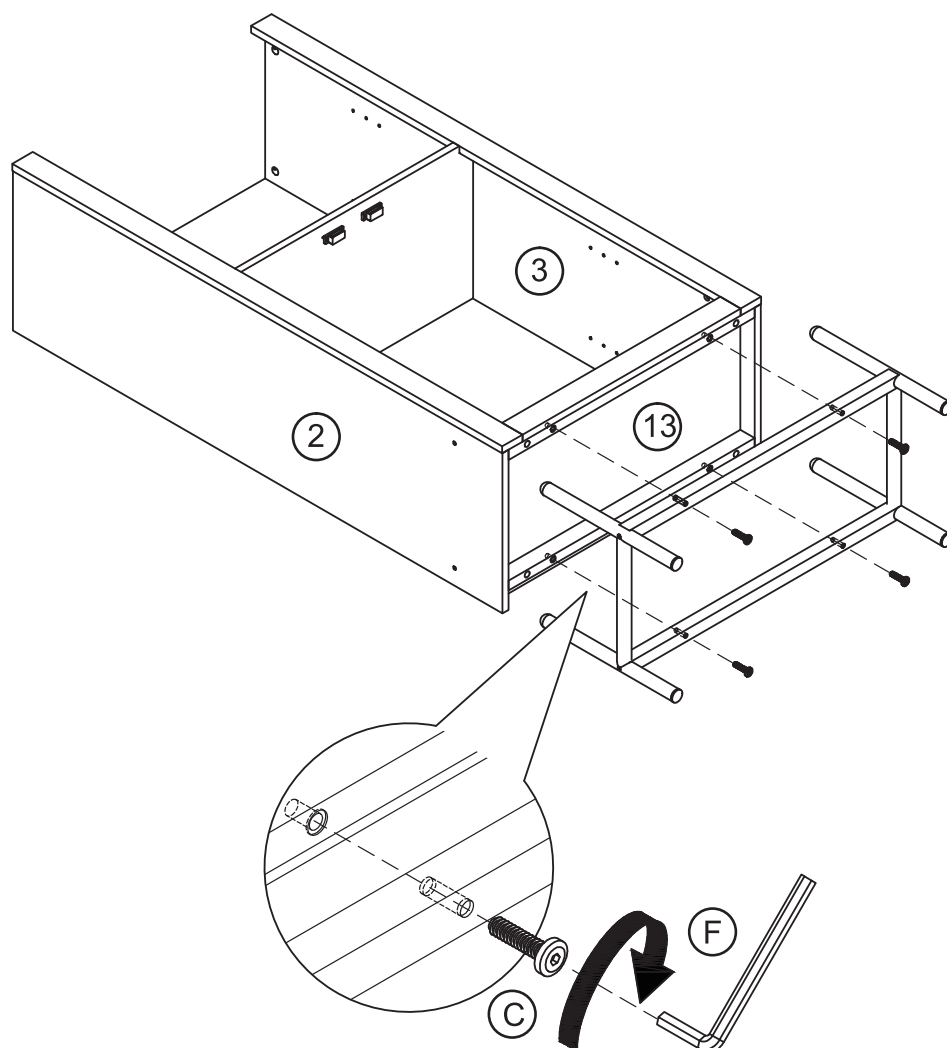


M6 x 30mm

(C)

4x

Assemble the base underneath the cabinet.



Note: Leave bolts 80% tightened.

12

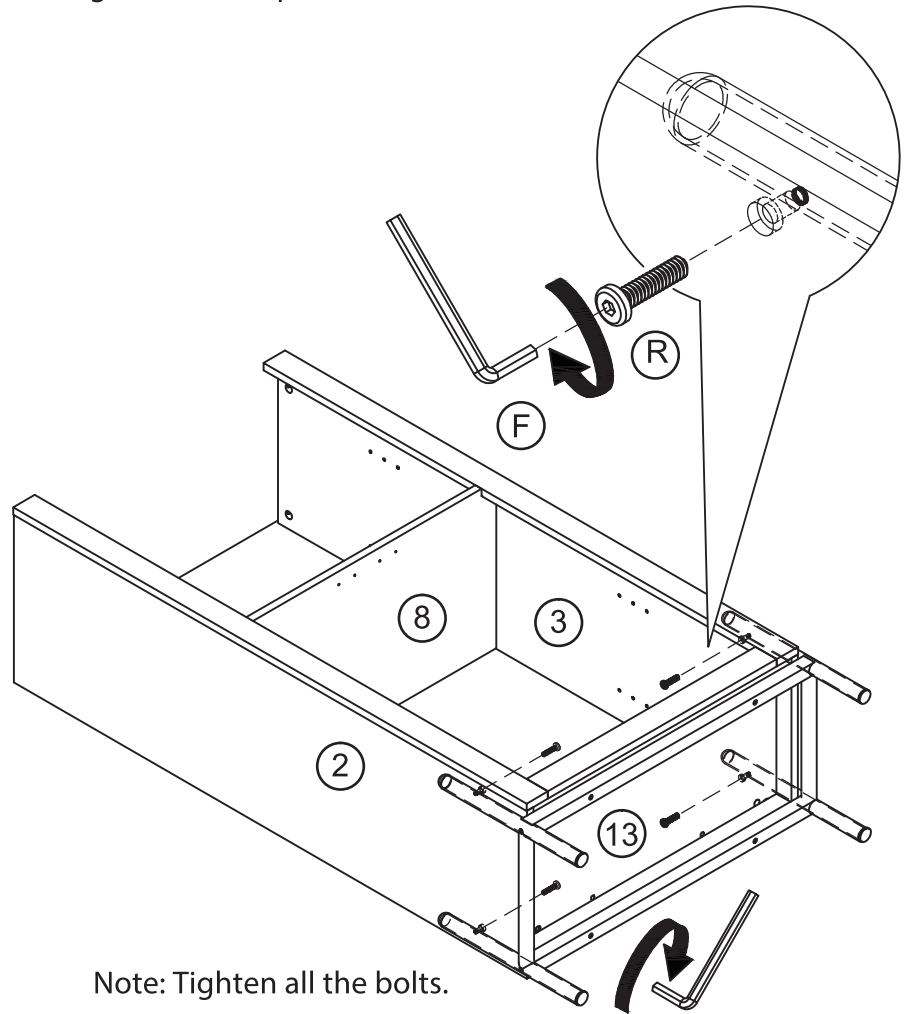
Secure the legs to the side panels.



M6 x 25 mm



4x



Note: Tighten all the bolts.

13

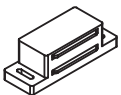
Attach magnetic catches and cam bolts to the bottom side of the arched top (1).



M6 x 35mm



4x



45 x 15 x 14mm



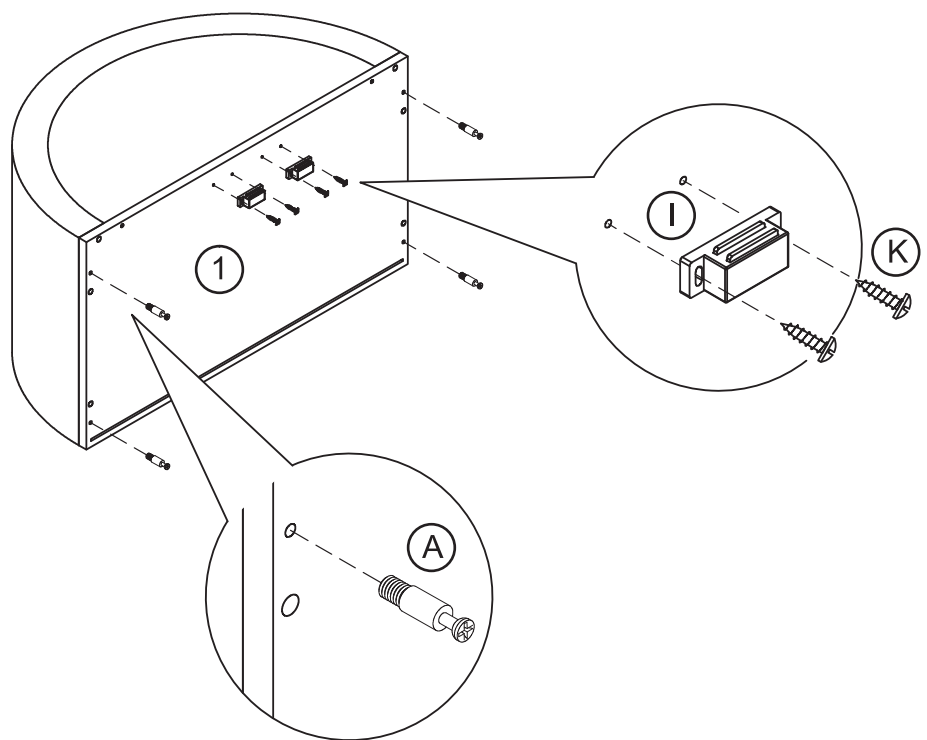
2x



M3 x 15mm



4x



14

Assemble the arched top (1) on top of the cabinet.



Ø15 x 11mm

(B) 4x



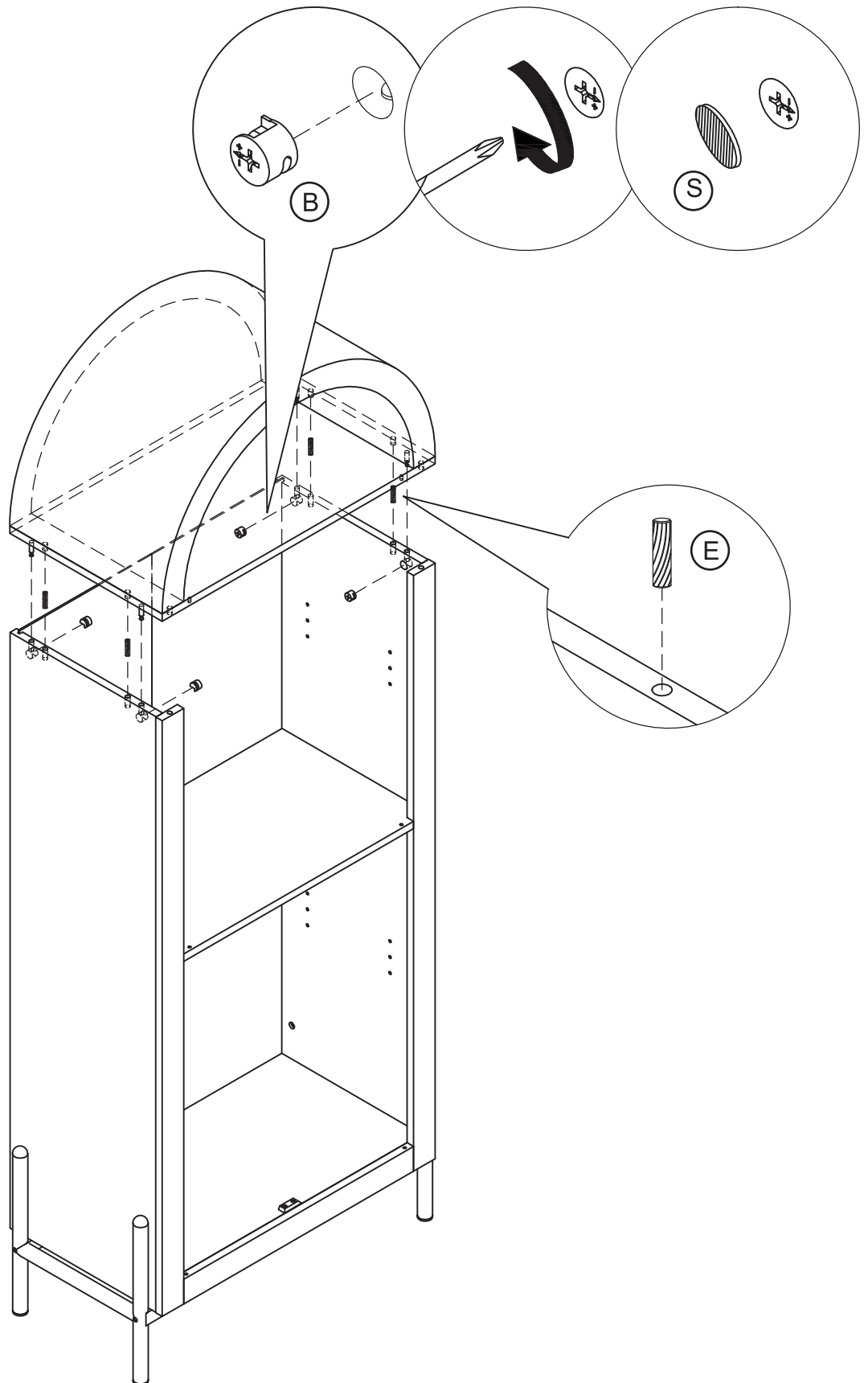
Ø8 x 30mm

(E) 4x



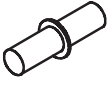
Ø30mm

(S) 4x



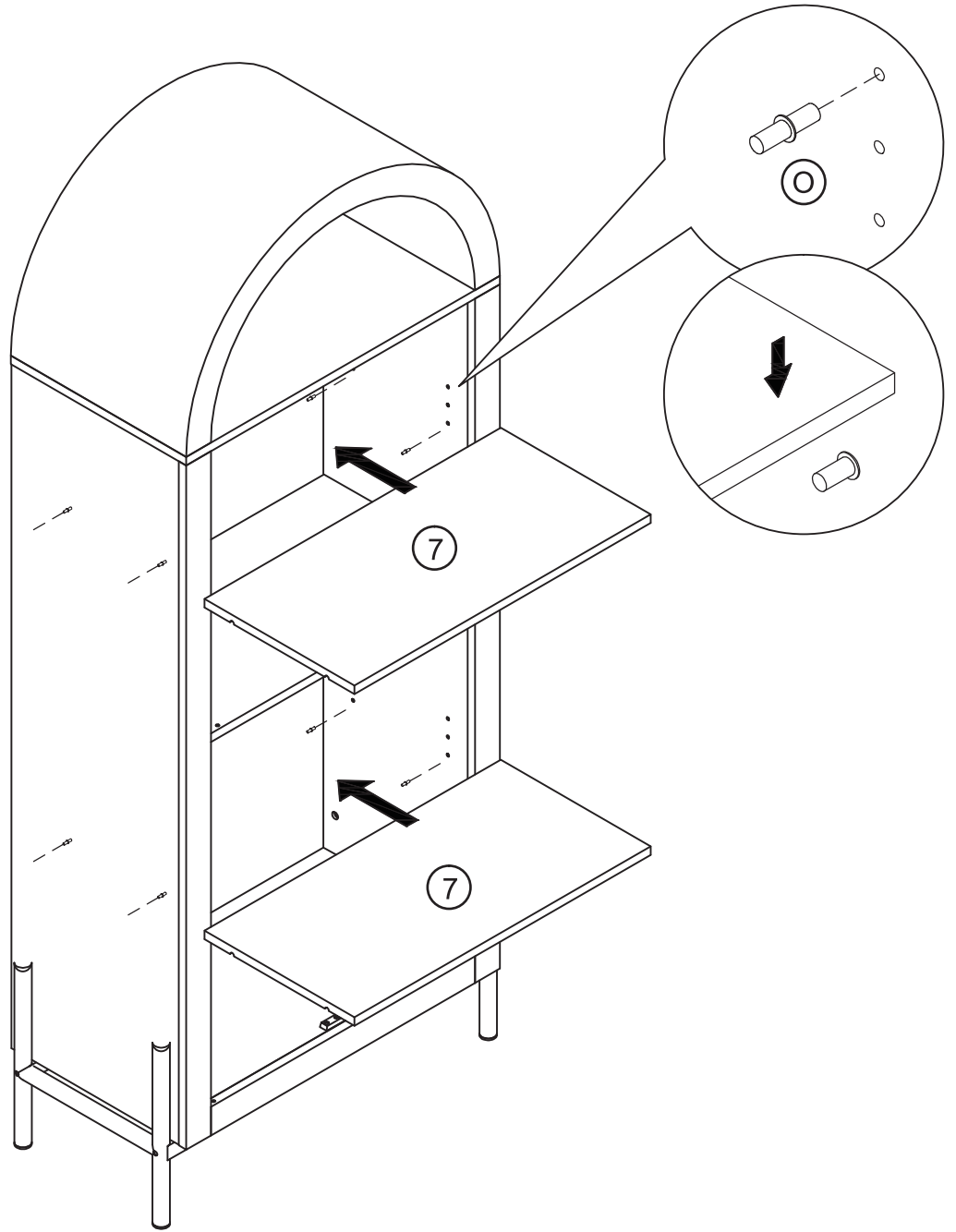
15

Insert shelf pegs inside the cabinet, then put on the storage shelf panels (7).



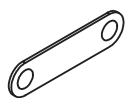
Ø7 x 18mm

⊙ 8x



16

Attach metal plates to the left / right small cabinet doors (9,10).



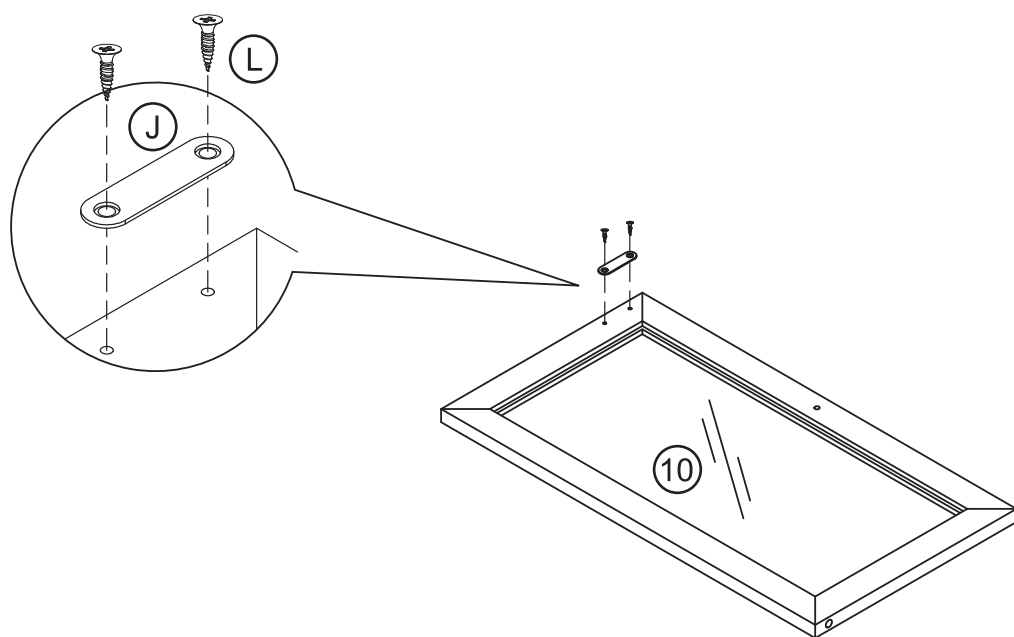
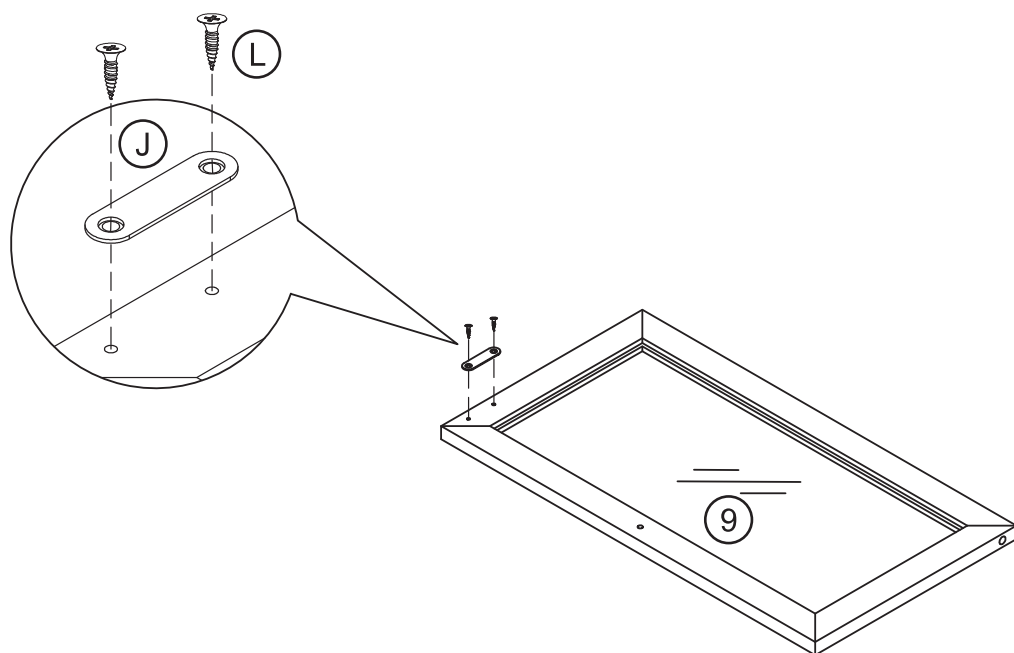
45 x 12 x 1mm

(J) 2x



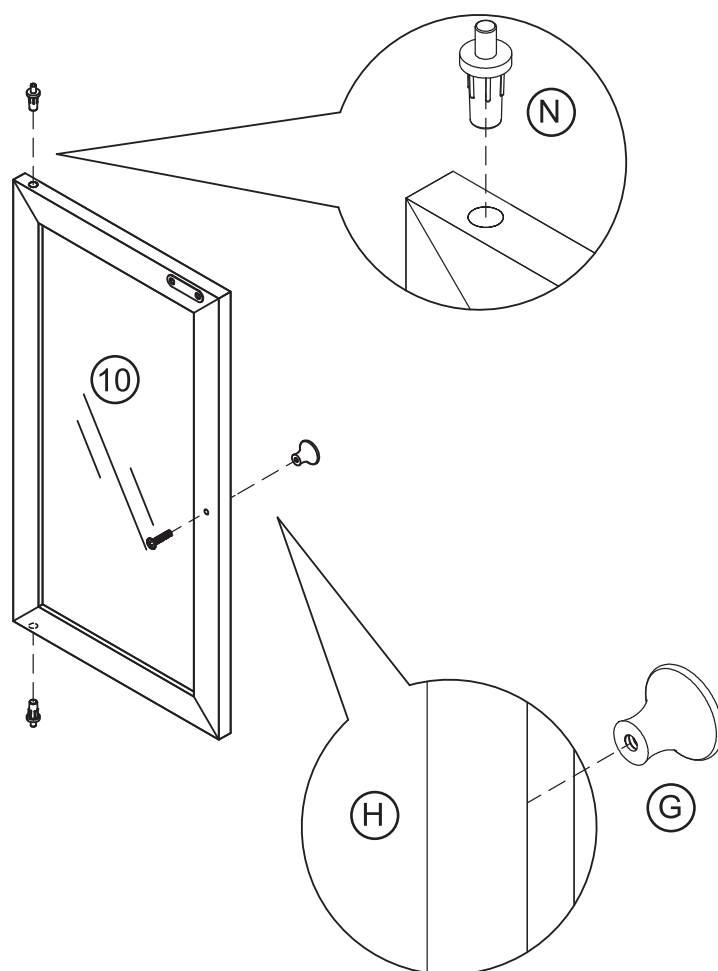
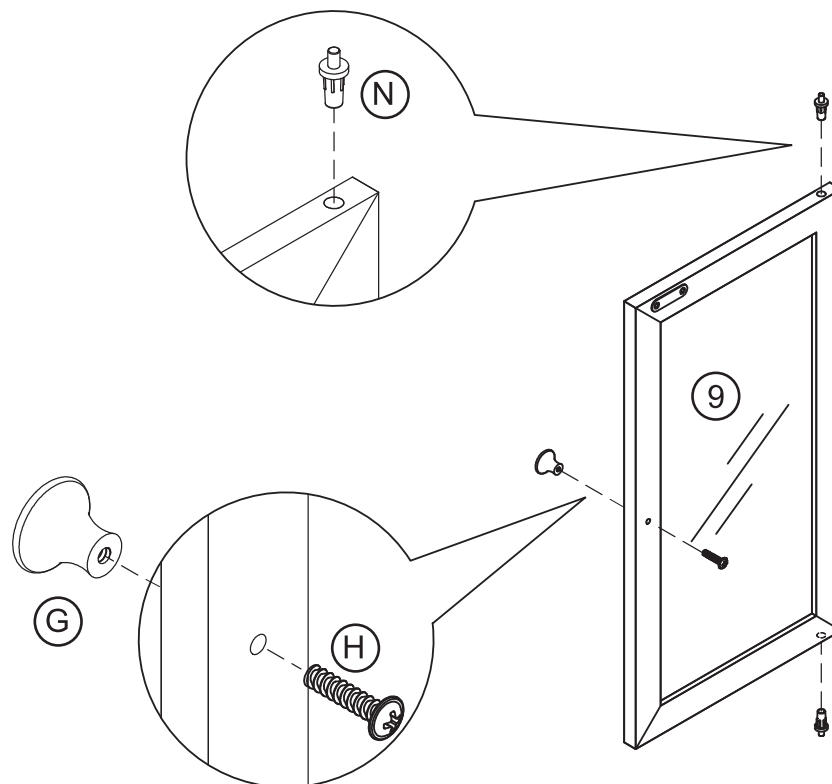
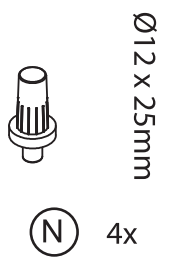
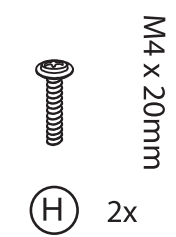
Ø3.5 x 12mm

(L) 4x



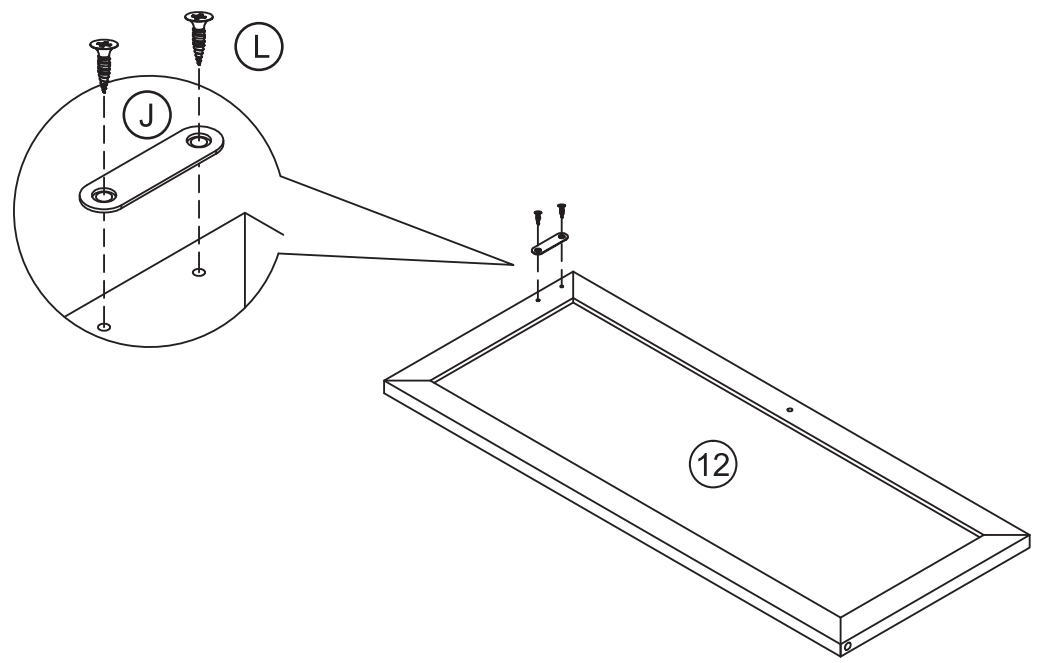
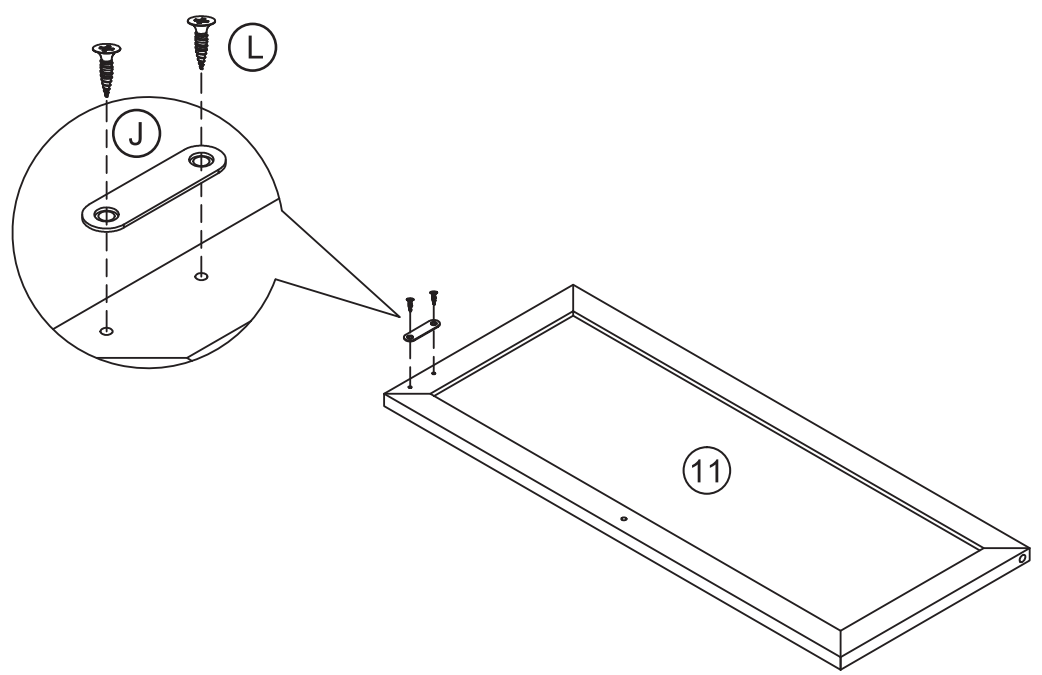
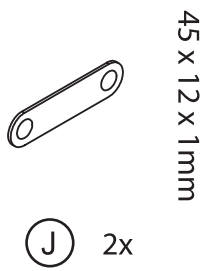
17

Attach hinge pins and door knobs to the left / right small cabinet doors (9,10).



18

Attach metal plates to the left / right large cabinet doors (11,12).



19

Attach hinge pins and door knobs to the left / right large cabinet doors (11,12).



Ø28x 29mm

(G) 2x



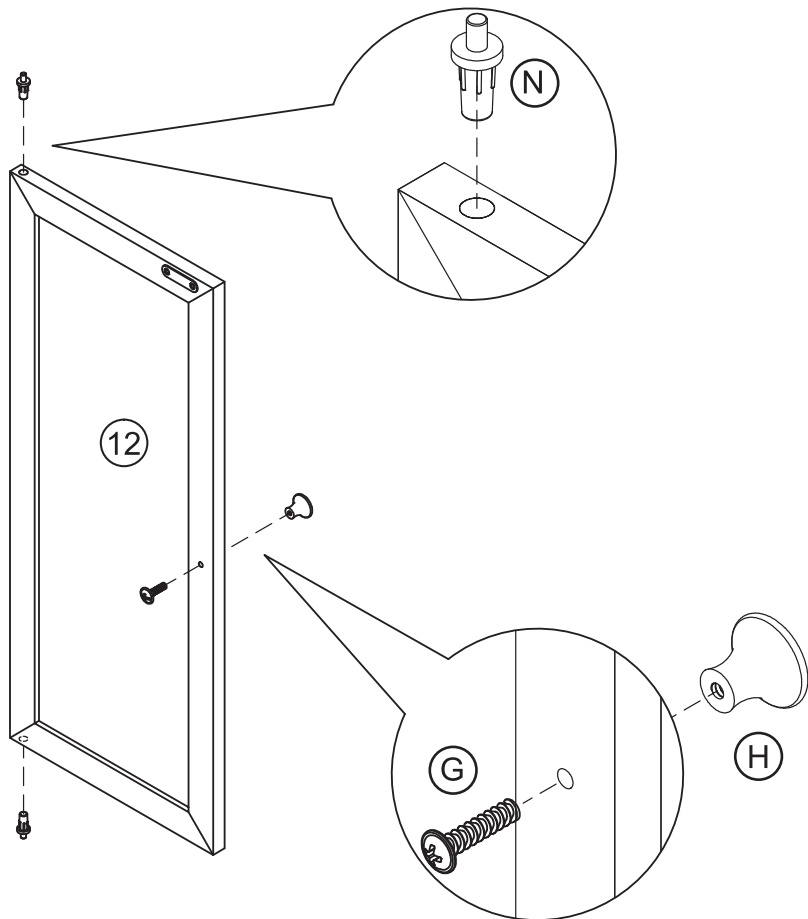
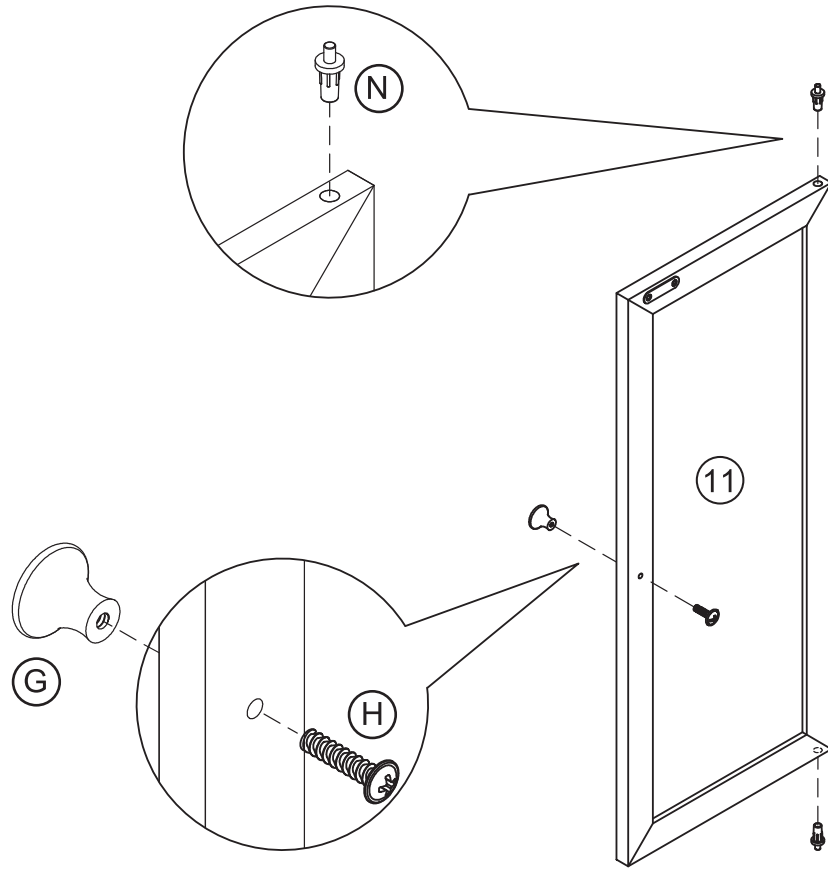
M4 x 20mm

(H) 2x

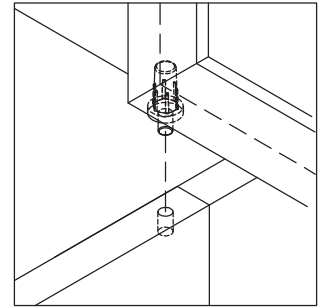
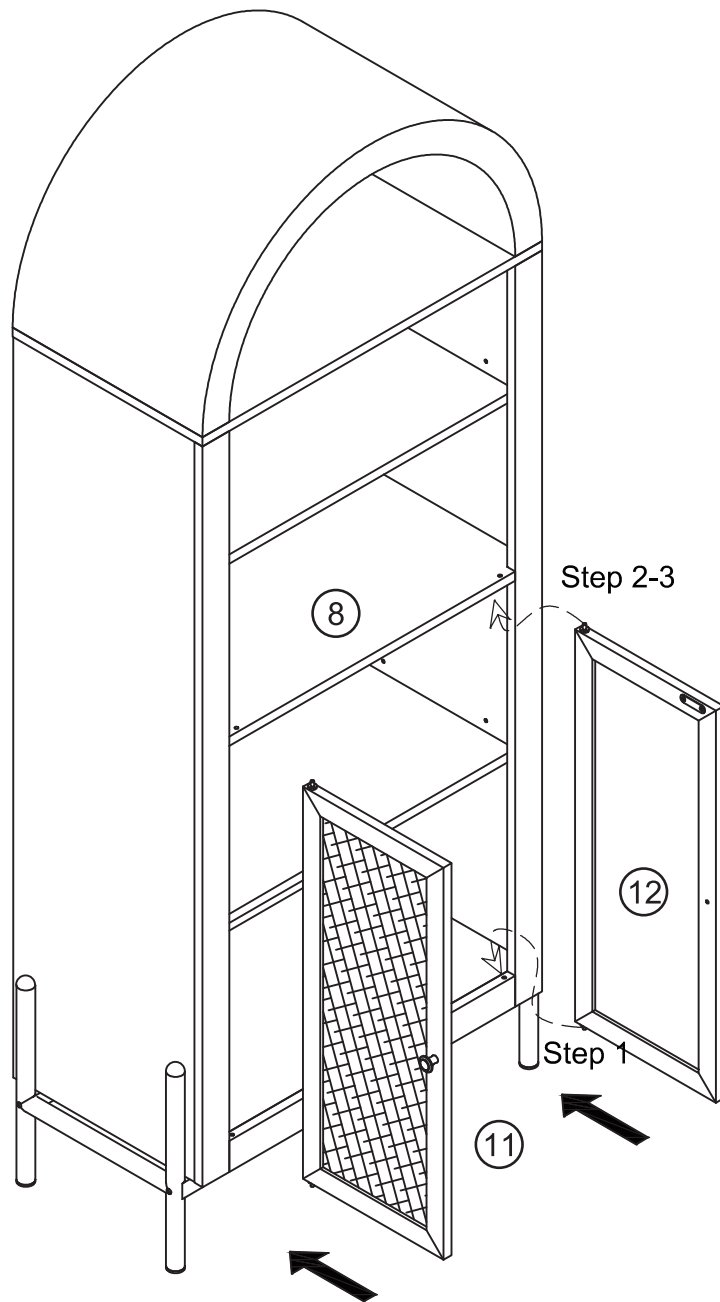


Ø12 x 25mm

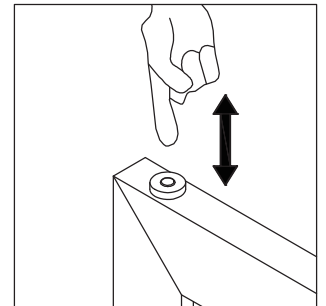
(N) 4x



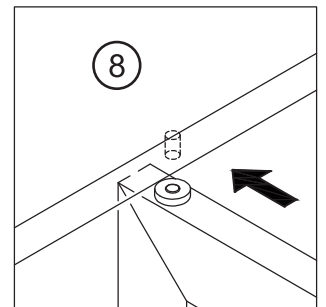
Attach cabinet doors to the cabinet.



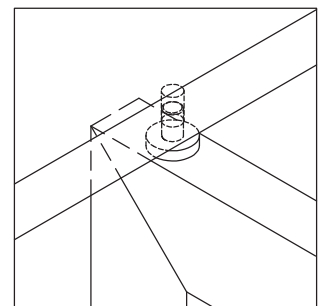
Step 1: Insert hinge pin into bottom hole.



Step 2: Press down the hinge pins and keep it in a non ejected state.

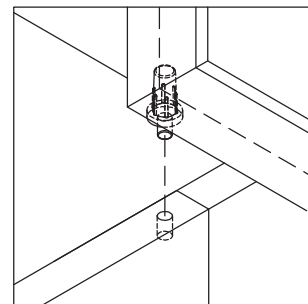
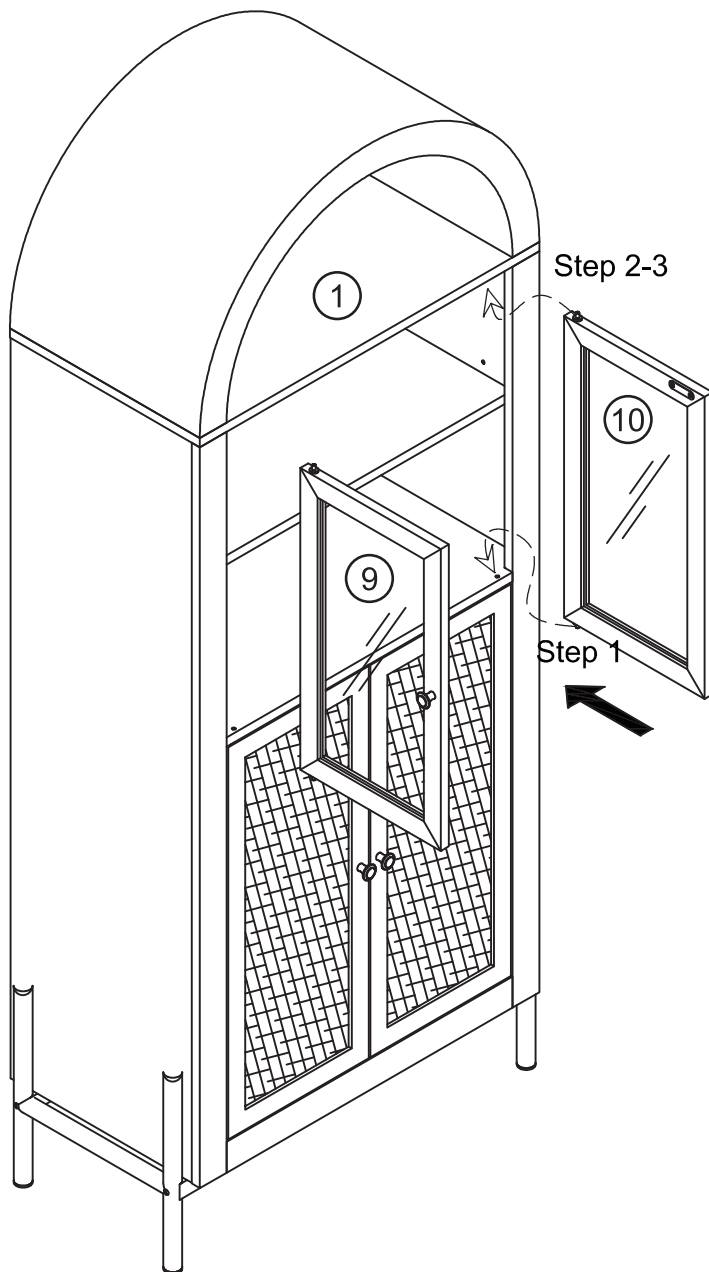


Step 3: Move horizontally to slide the hinge pin into the center panel (8) hole.

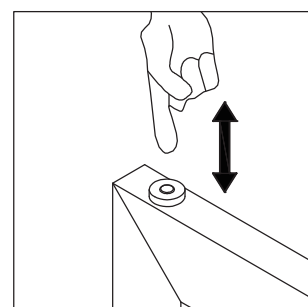


Note: Install carefully so as not to pinch your hands.

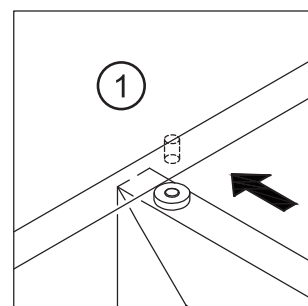
Attach cabinet doors to the cabinet.



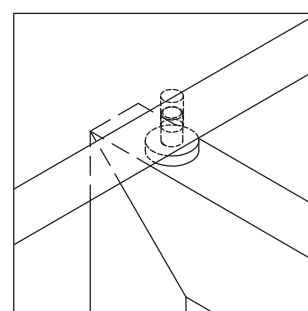
Step 1: Insert hinge pin into bottom hole.



Step 2: Press down the hinge pins and keep it in a non ejected state.



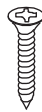
Step 3: Move horizontally to slide the hinge pin into the center panel(1) hole.



Note: Install carefully so as not to pinch your hands.

22

Secure the back panel in place.



Ø3 x 16mm



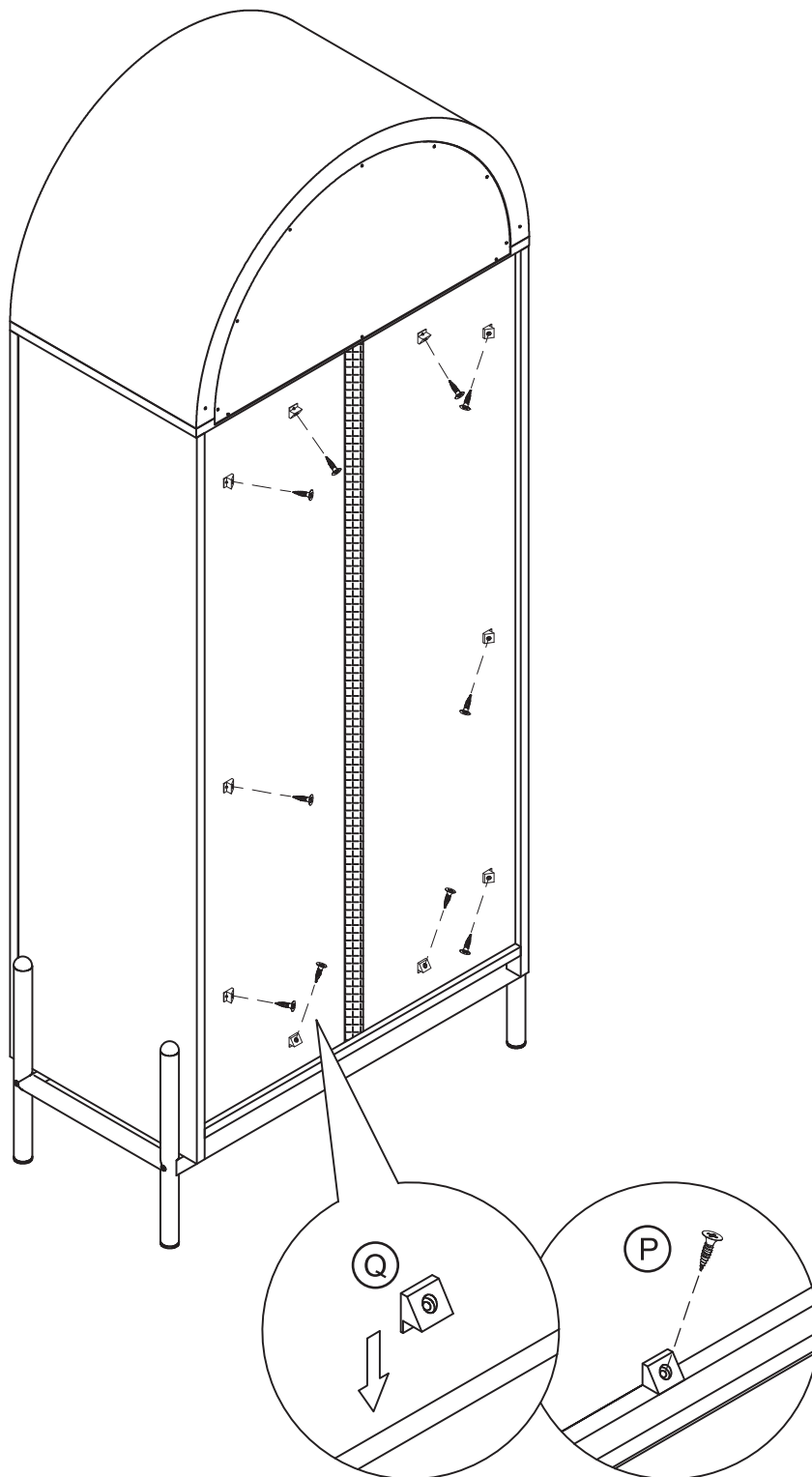
10x



15 x 15 x 10mm







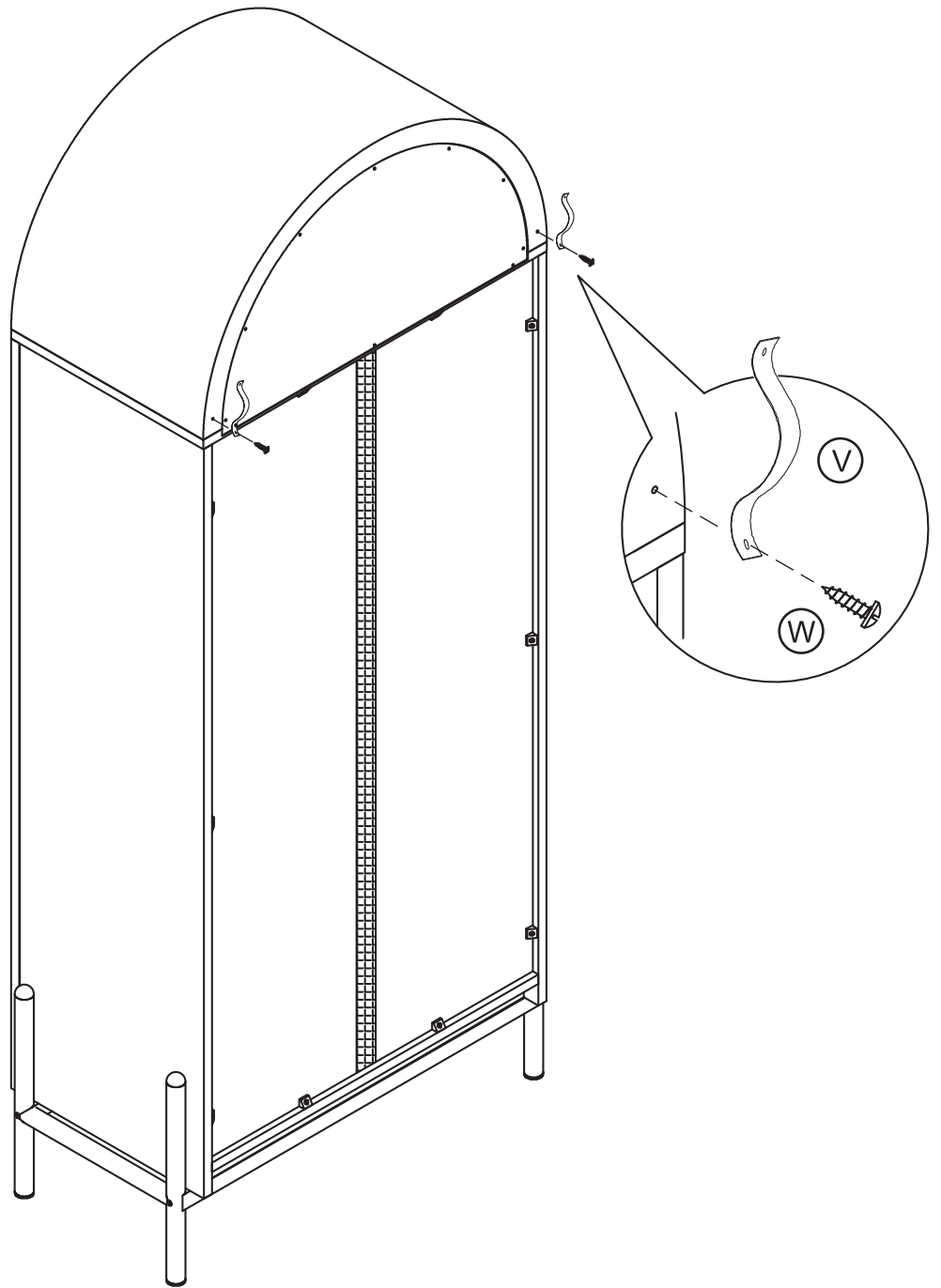
10x



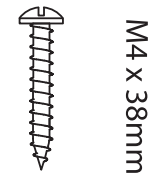
23

Attach anti-tipping straps to the back of the cabinet.

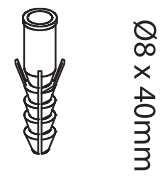
-  M4 x 15mm
-  2x
-  190 x 20mm
-  2x



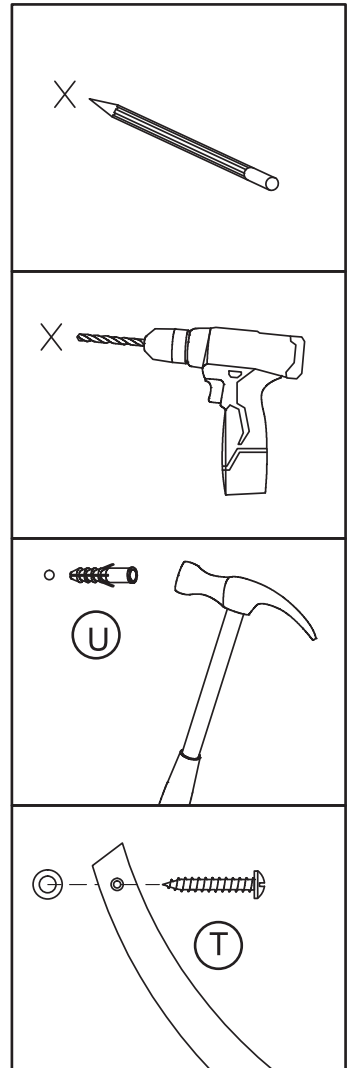
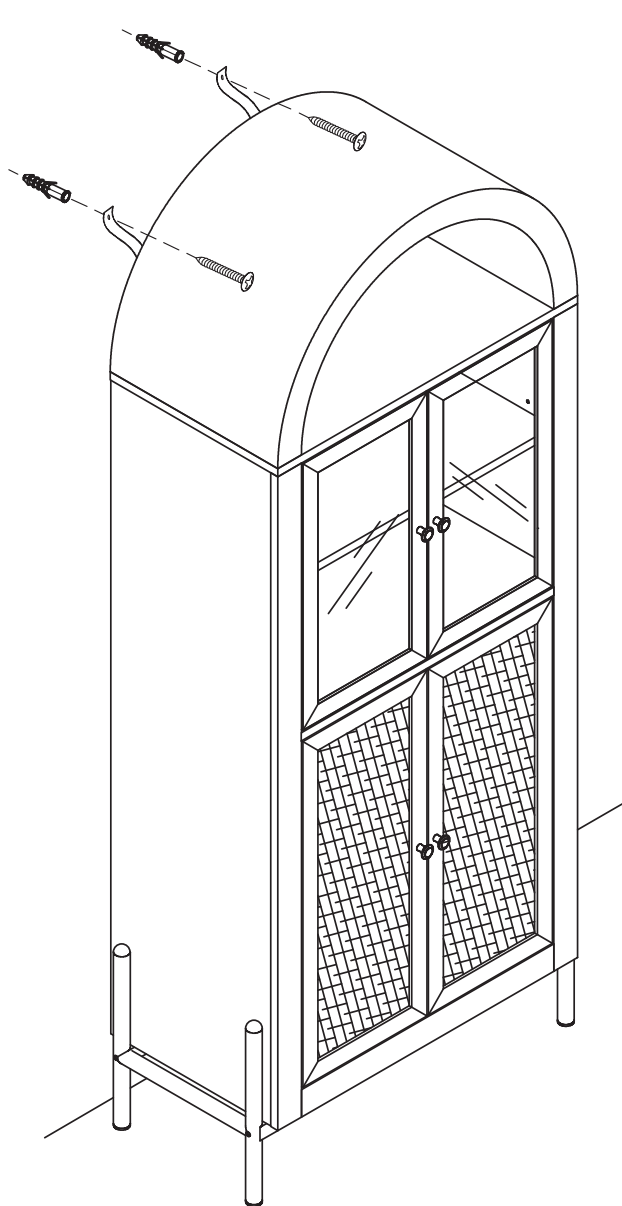
Affix the cabinet to a wall.



(T) 2x



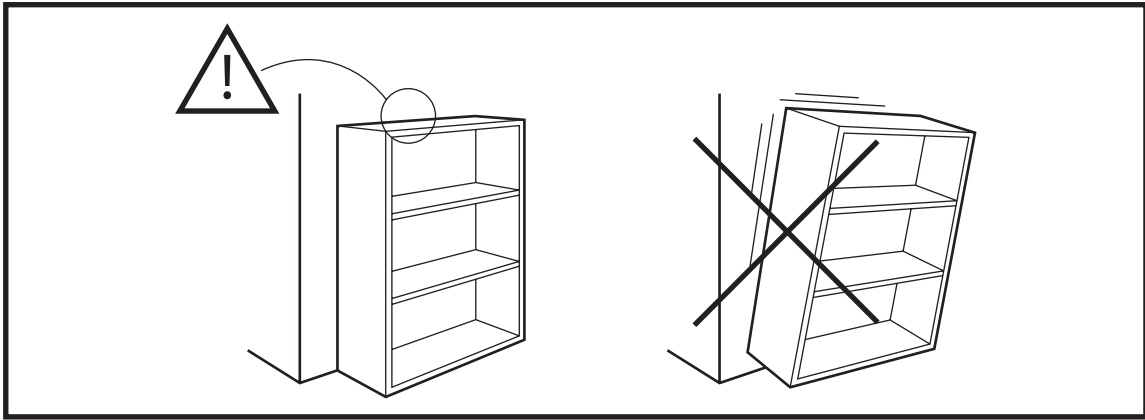
(U) 2x



Furniture must permanently fixed to the wall stud with included anti-tipping device to prevent the furniture from tipping over.

- Mark the drill position on the wall with a pencil.
- Drill a small hole on the marked position.
- Insert a wall anchor into the drilled hole.
- Fixed the anti-tipping strap to the wall with provided screws.

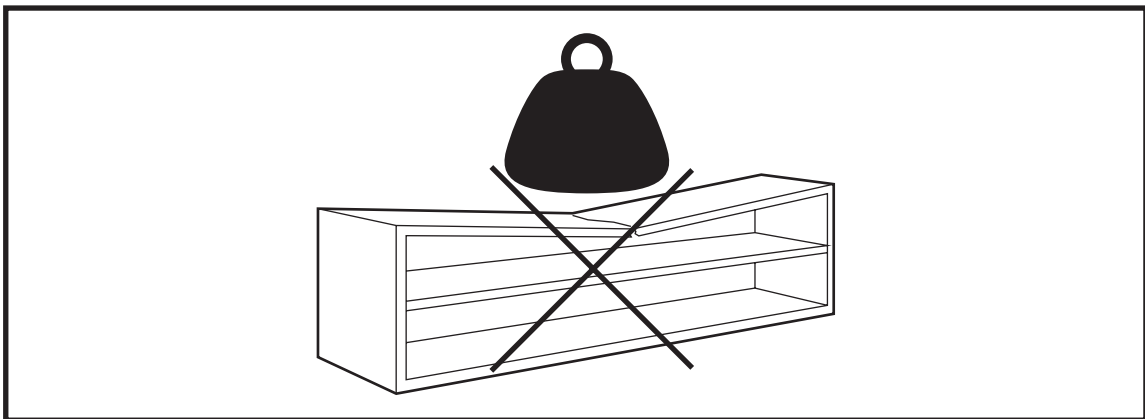
YOU'RE FINISHED!



Warning

Serious or fatal crushing injuries may occur if the furniture tip-over. Furniture must permanently affixed to the wall with included anti-tipping device in order to prevent the furniture from tipping over.

Different wall materials requires different types of wall anchors or screws. Use a suitable wall anchors or screws for your specific wall in order to secure the stability and load bearing capacity of the furniture. If you are uncertain about which type of device to use, please contact us or your local hardware store.



Warning

Only place items on top of the product if they meet the recommended size and weight limits.

Climbing on, stepping on, or placing overweighted objects on the product may cause property damage and/or injuries.

Items placed onto this product must be resting on a support surface without hanging over the edges.

FURNITURE CARE AND MAINTENANCE

Medium - Density Fiberboard

Thank you for your purchase. We want your item to last as long as possible. To ensure the product gives you years of longevity, please follow the recommendations in this care and maintenance guide.



MAINTENANCE

- Tighten all bolts and screws again within the first 2 weeks of assembly.
- Check the tightness of all bolts every 2 months and tighten them if necessary.



CLEANING

- Clean the surface of the MDF (medium - density fiberboard) with a lightly dampened cloth.
- A small amount of mild soap can be used if necessary.
- Dry the surface immediately after cleaning.

⚠ DO NOT use bleach or alcohol to clean the surface.

⚠ DO NOT apply wood treatment on parts made with MDF.

MDF will swell and distort when exposed to water damage. Make sure to dry the furniture immediately after cleaning.

⚠ WARNING

The manufacturer and seller are not responsible for any and all liability relating to personal injury, property damage or losses, whether direct, indirect, or incidental, resulting from the incorrect attachment, improper use, inadequate maintenance, unapproved modification or neglect of this product.