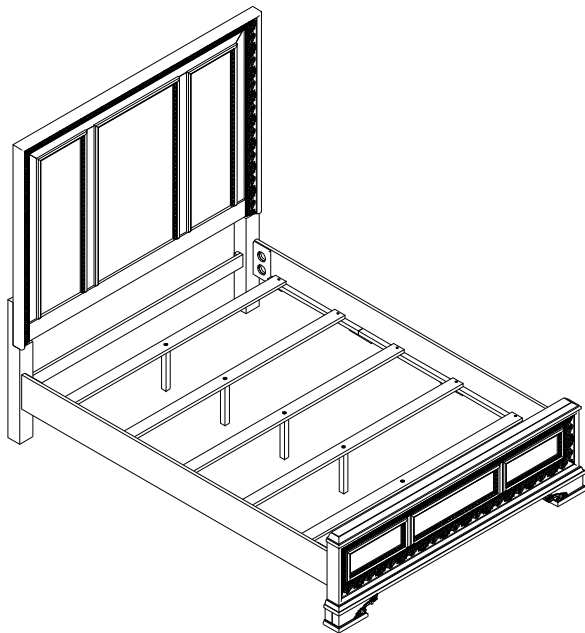


# ASSEMBLY INSTRUCTIONS

---



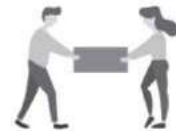
## TOOLS REQUIRED



Screwdriver  
(Not included)



(Included)  
Allen Wrench



2 - People

## ASSEMBLY RATING



EASY —————> DIFFICULT

The Assembly Rating is a 5-point system showing the level of effort needed to assemble a specific product.



## **CHECK BEFORE STARTING**

### **Are you missing anything?**

Double-check all parts, hardware and accessories listed are all accounted for.

### **Check out our Quick Tips!**

We recommend reviewing the pre-assembly handouts. Even experts need a refresher now and then!

### **Should we send any replacements?**

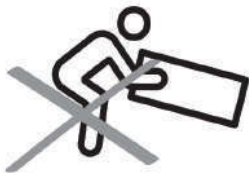
Are there any irregularities or flaws in the parts? We can send replacements!

### **Prep Time!**

Please review the assembly instructions and all diagrams prior to assembling.

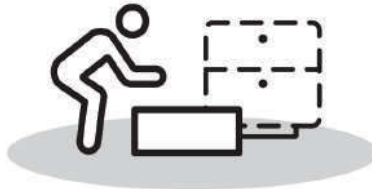
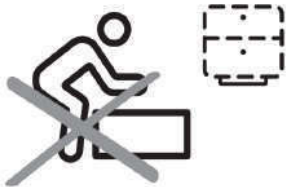
# PRE ASSEMBLY INTRODUCTION

We understand building ready-to-assemble furniture can be a challenging experience for some. To help avoid confusion, we have provided some helpful tips that may speed up the process.



## Teamwork

ALWAYS have at least two people to help with transporting and assembling the product to avoid potential injury and/or damage.



## Suitable Location

Assembling near the area of the intended location is highly recommended.



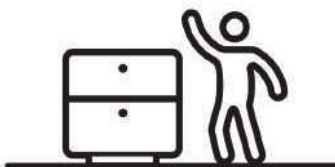
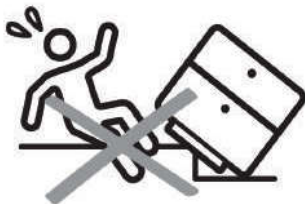
## Sufficient Space

Make sure you have enough space to move around during the assembly.



## Avoid Scratches

Use cardboard, blankets or a carpeted area while assembling furniture to prevent scratches and damages.



## Flat Surface

Make sure the furniture rests on a flat and level surface with each leg evenly touching the floor.

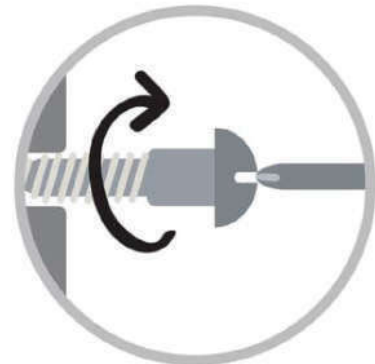
# ASSEMBLY AND CARE ADVICE



**FAILURE TO FOLLOW THE GUIDELINES BELOW MAY RESULT IN INJURY AND/OR PROPERTY DAMAGE.**



Position each part correctly and insert screws or bolts into their respective holes.



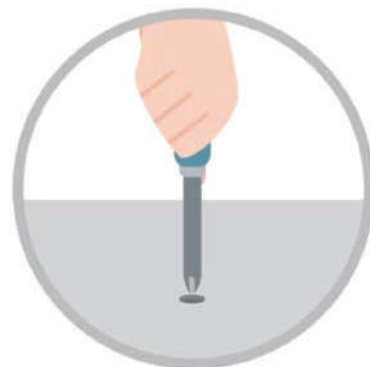
Turn clockwise to tighten and only tighten when step is completed or when instructed to do so.



Use the appropriate hand tools or power tools for assembly. Select steps, such as tightening screws and/or bolts, may require hand tools to avoid causing damage during assembly.



Save the instructions and store any supplied tools for later maintenance.



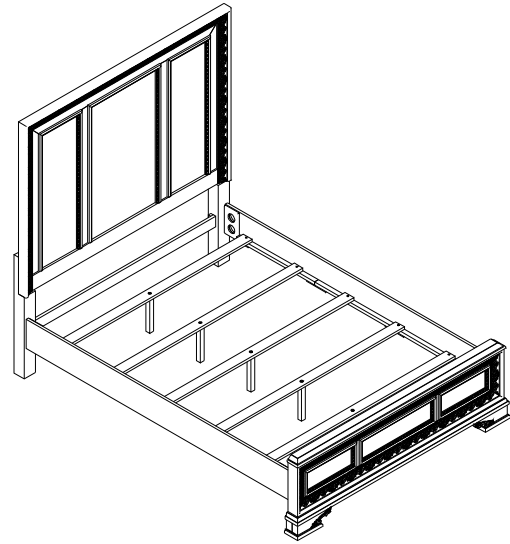
After two weeks, check and tighten any loose hardware and repeat again every six months thereafter.

**IT IS THE USER'S RESPONSIBILITY TO MAINTAIN THE FURNITURE. THE HARDWARE MAY LOOSEN OVER TIME AND MAY CAUSE THE FURNITURE TO BE WOBBLY AND UNABLE TO SUPPORT ITS INTENDED WEIGHT CAPACITY. THIS MAY LEAD TO COLLAPSE AND MAY CAUSE SERIOUS INJURY.**

# QUEEN BED



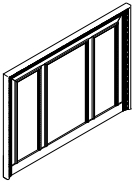
- Please keep instructions for future reference.
- Check the quantity and irregularity of parts and hardware before you start.



## PARTS

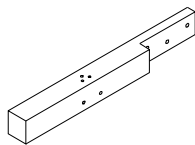
### PART LIST OF HEADBOARD

#1 1pc



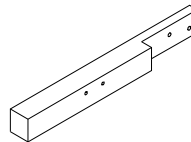
QUEEN PANEL  
HEADBOARD

#2 1pc



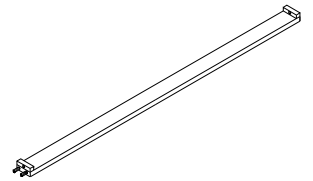
HEADBOARD LEG - (R)

#3 1pc



HEADBOARD LEG - (L)

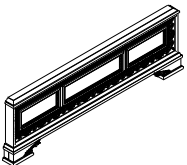
#4 1pc



BOTTOM STRETCHER

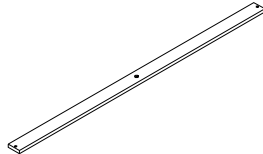
### PART LIST OF FOOTBOARD

#5 1pc



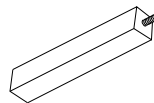
QUEEN FOOTBOARD

#6 5pcs



SLATS

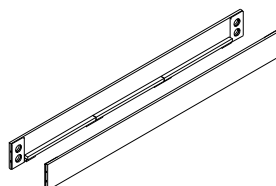
#7 5pcs



SUPPORT LEG  
30 X 30 X 237 MM

### PART LIST OF SIDE RAILS

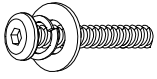
#8 2pcs



SIDE RAILS

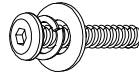
## HARDWARE

#A 6pcs



BOLT  $\phi 5/16"$  X 2"  
 SPRING WASHER  $\phi 5/16"$  X 13 X 1.2MM  
 FLAT WASHER  $\phi 5/16"$  X 19 X 1.8MM

#B 2pcs



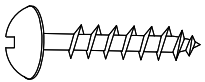
BOLT  $\phi 1/4"$  X 1-1/2"  
 SPRING WASHER  $\phi 1/4"$  X 13 X 1.2MM  
 FLAT WASHER  $\phi 1/4"$  X 19 X 1.8MM

#C 1pc



ALLEN WRENCH 4MM

#D 10pcs



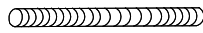
Screw #8 x 1-1/4"

#G 8pcs



LOCK WASHER  $\phi 5/16"$

#E 8pcs



BOLT  $\phi 5/16"$  X 3"

#H 8pcs



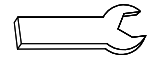
NUT  $\phi 5/16"$

#F 8pcs

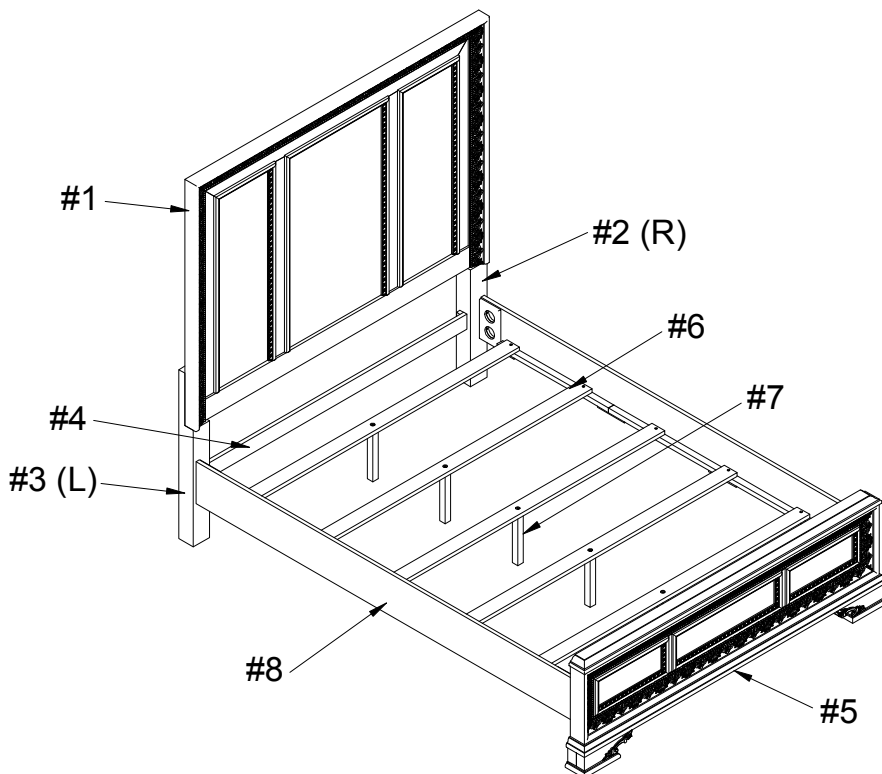


"C" WASHER  $\phi 5/16"$

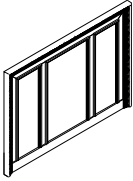
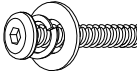
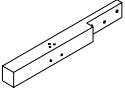
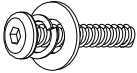
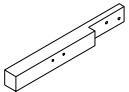

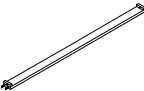
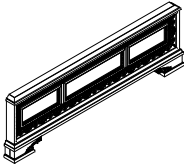
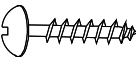
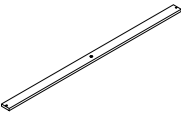
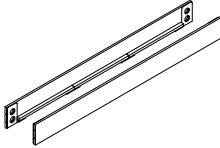
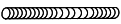


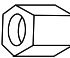
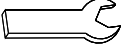
#I 1pc



OPEN WRENCH



## packed in 3 cases

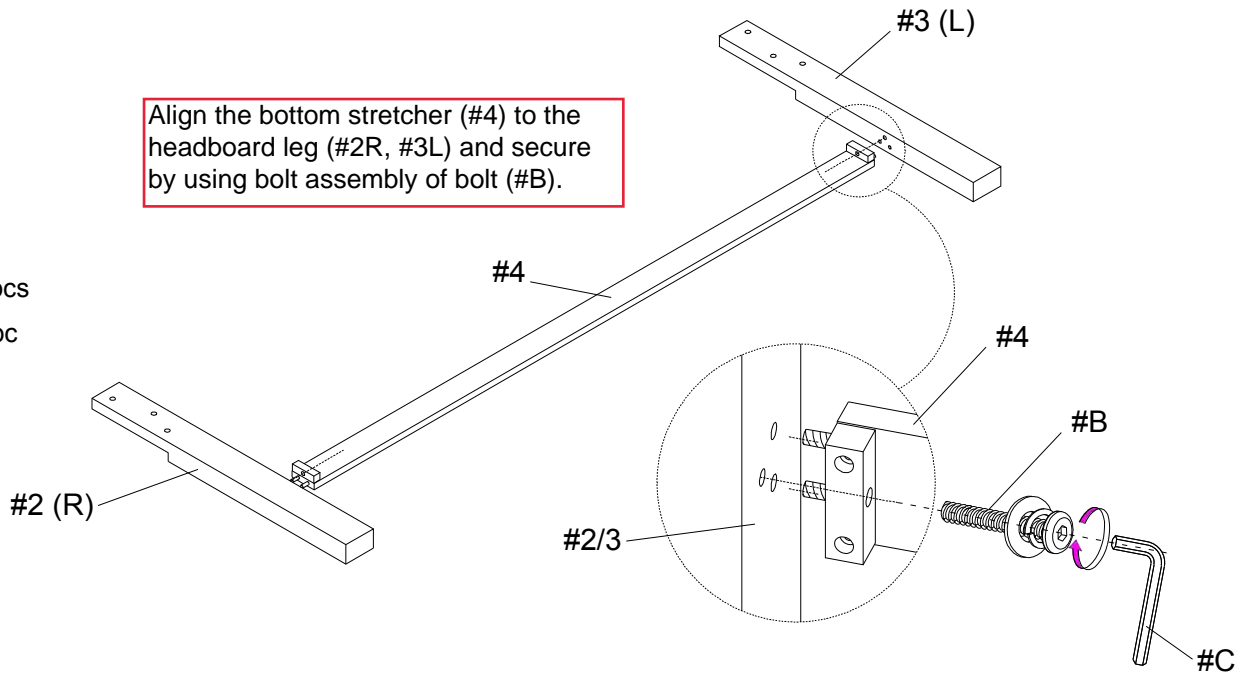
Carton	Designation	Part		Hardware
	Queen Panel Headboard (1pc)	#1		 #A 6pcs
	Headboard Leg - (R) (1pc)	#2		 #B 2pcs
	Headboard Leg - (L) (1pc)	#3		 #C 1pc
	Bottom Stretcher (1pc)	#4		
	Queen Footboard (1pc)	#5		 #D 10pcs
	Slats (5pcs)	#6		
	Support Leg (5pcs) 30 x30 x 237 mm	#7		
	Side Rails (2pcs)	#8		 #E 8pcs  #F 8pcs  #G 8pcs  #H 8pcs  #I 1pc

# ASSEMBLY INSTRUCTIONS

## 1

- Part #2 x1pc
- Part #3 x1pc
- Part #4 x1pc
- Hardware #B x2pcs
- Hardware #C x1pc

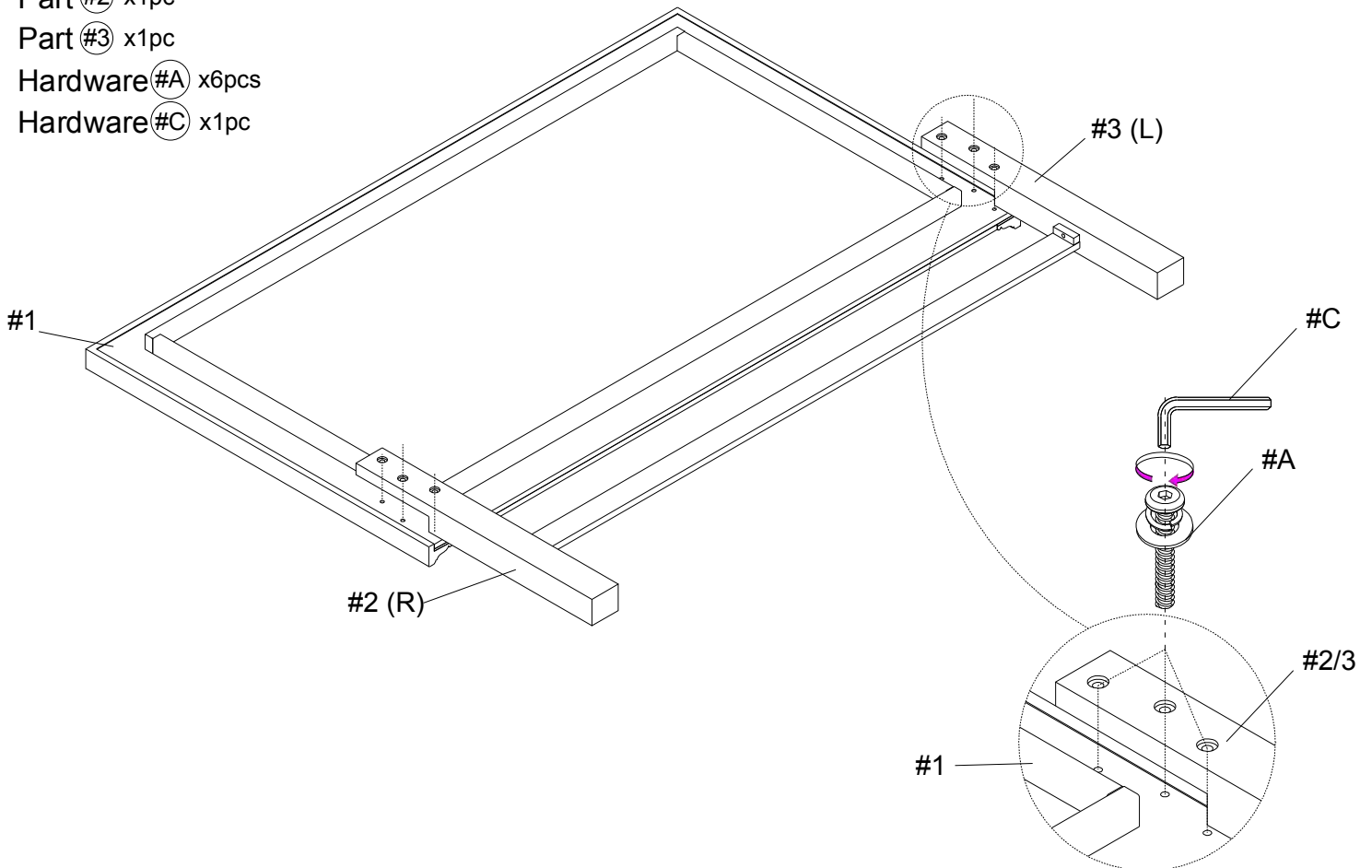
Align the bottom stretcher (#4) to the headboard leg (#2R, #3L) and secure by using bolt assembly of bolt (#B).



## 2

- Part #1 x1pc
- Part #2 x1pc
- Part #3 x1pc
- Hardware #A x6pcs
- Hardware #C x1pc

Align the headboard leg (#2R, #3L) to the headboard panel (#1) and secure by using allen wrench (#C) to insert bolt assembly of bolt (#A).

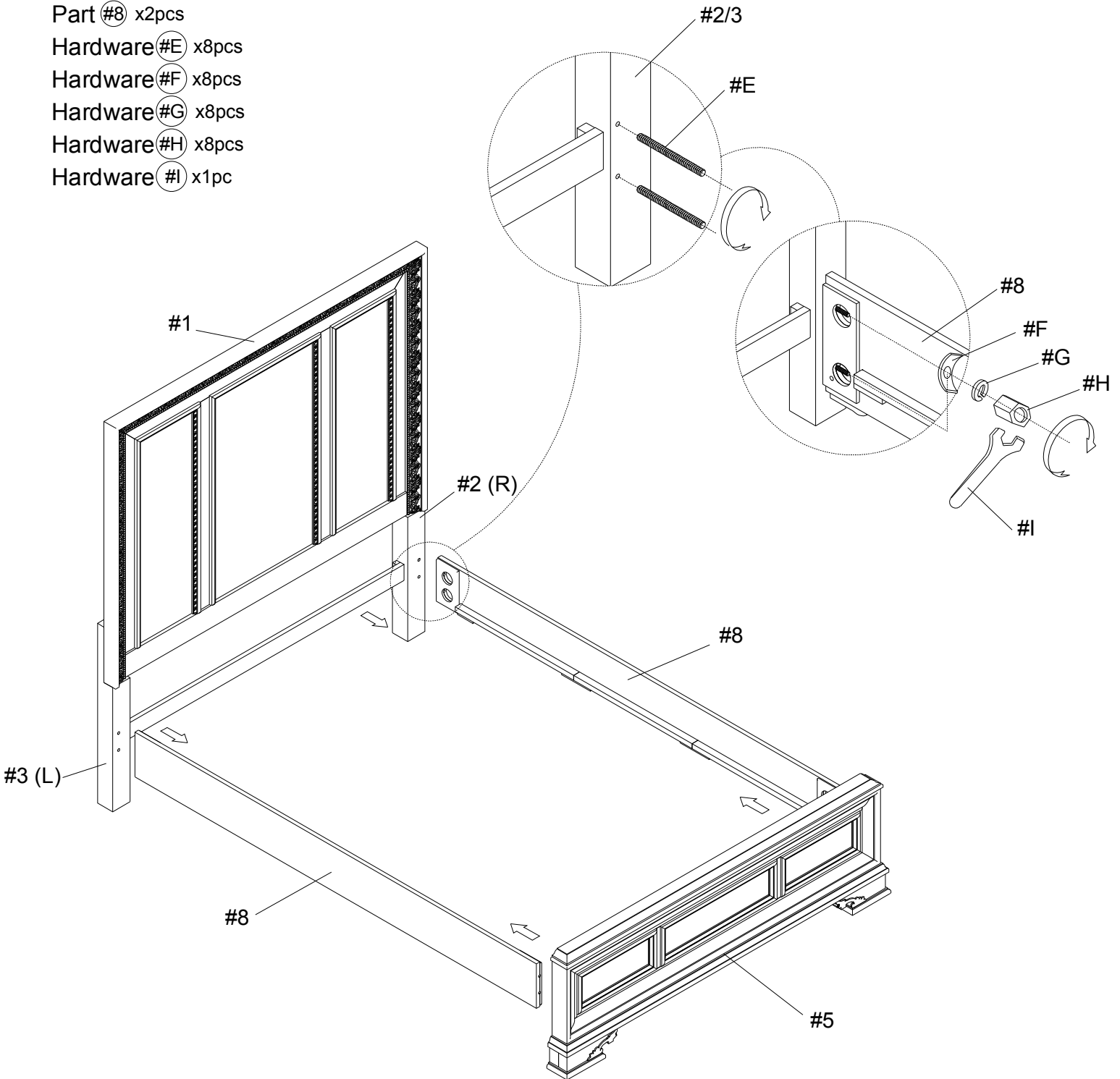


# ASSEMBLY INSTRUCTIONS

## 3

- Part #1 x1pc
- Part #2 x1pc
- Part #3 x1pc
- Part #5 x1pc
- Part #8 x2pcs
- Hardware #E x8pcs
- Hardware #F x8pcs
- Hardware #G x8pcs
- Hardware #H x8pcs
- Hardware #I x1pc

Attach bolt (#E) to the headboard (#1) and footboard (#5). Align the side rails onto bolt (#E) and secure with "C" washer (#F), lock washer (#G) and nut (#H).



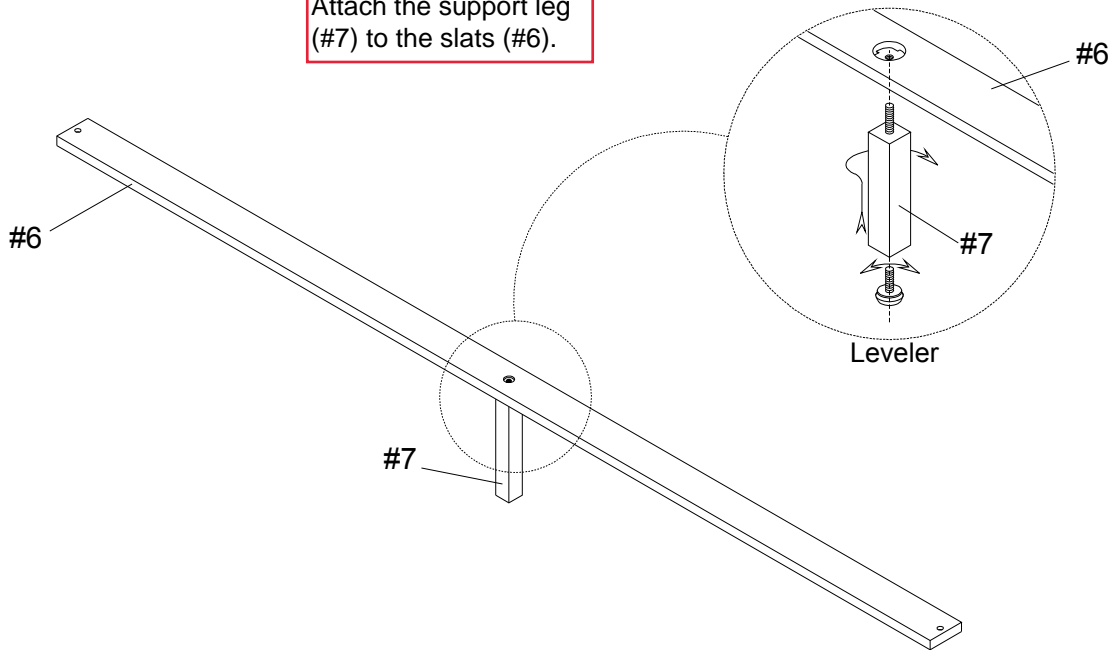
# ASSEMBLY INSTRUCTIONS

## 4

Part #6 x5pcs

Part #7 x5pcs

Attach the support leg (#7) to the slats (#6).



## 5

Part #1 x1pc

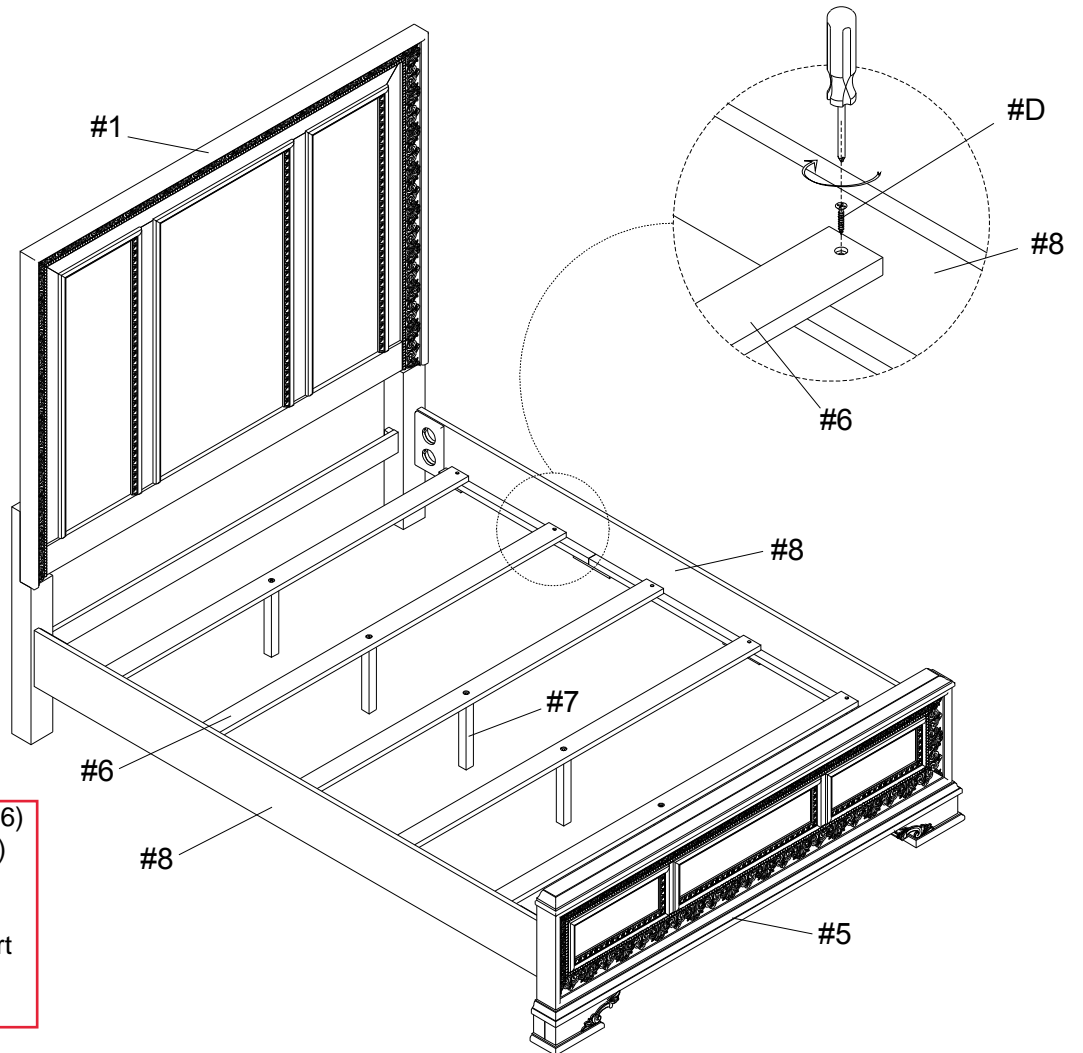
Part #5 x1pc

Part #6 x5pcs

Part #7 x5pcs

Part #8 x2pcs

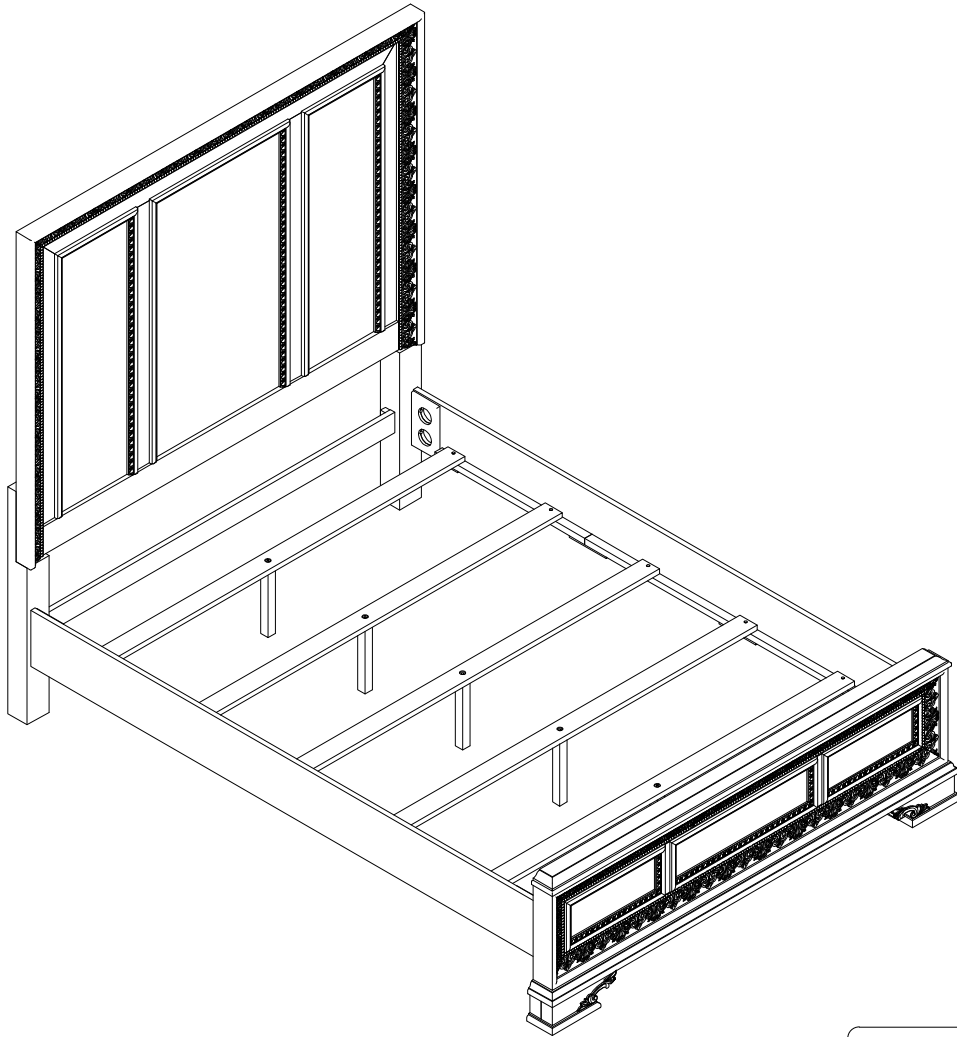
Hardware #D x10pcs



Evenly place slats (#6) over the side rail (#8) and secure by using Screw (#D). Adjust leveler on the support leg (#7) to sit right above the floor.

# ASSEMBLY INSTRUCTIONS

6



## ASSEMBLY COMPLETED



Please ensure the furniture rests on an even and flat surface. If the product wobbles or feels loose, double-check all bolts and/or screws are properly tightened and secured.

### ✔ Keep this handy!

Please retain this instruction manual and any order-related information for future reference.

### ✔ Lift, don't drag!

To avoid damage to product please always LIFT the product when transporting or adjusting the placement.

This product is intended for RESIDENTIAL USE ONLY and not for commercial use.