

Assembly Instruction

*Please follow this instruction to avoid assembly errors.

*For customer service, please contact E-mail: shop@robud.com

⚠ WARNING:

CHOKING HAZARD-Small parts. STRANGULATION HAZARD-Long cord. Not suitable for children under 3 years.

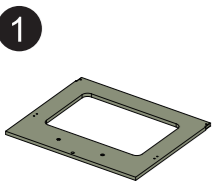
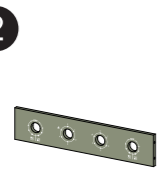
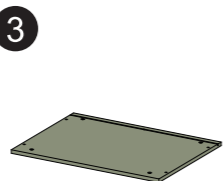

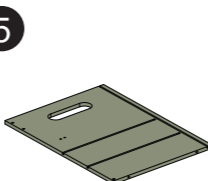
Toys intended to be assembled by an adult. Children should use the product under adult's guidance.

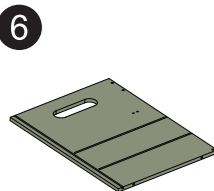
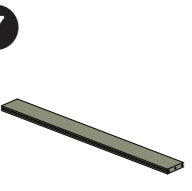
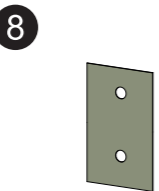
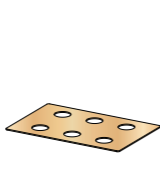
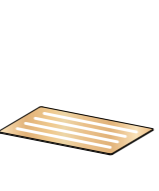
After opening the package, please keep the packaging items such as plastic film or bags away from babies and children to avoid danger of suffocation.


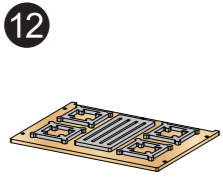
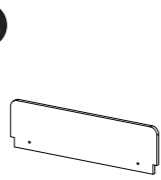


Please be careful when opening the door to prevent injury.

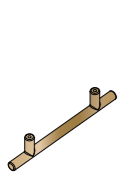
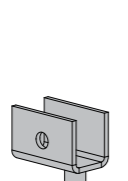
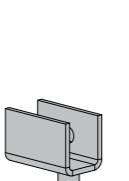


Please keep the product away from water, and don't put liquid in the pot sets.




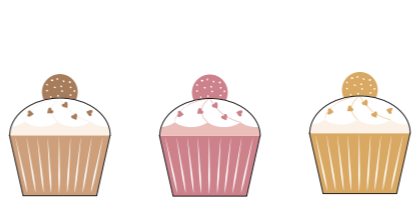
Please clean the product with dry soft cloth, don't clean this product with chemical cleaners: alcohol, ammonia water, glass cleaner, etc.

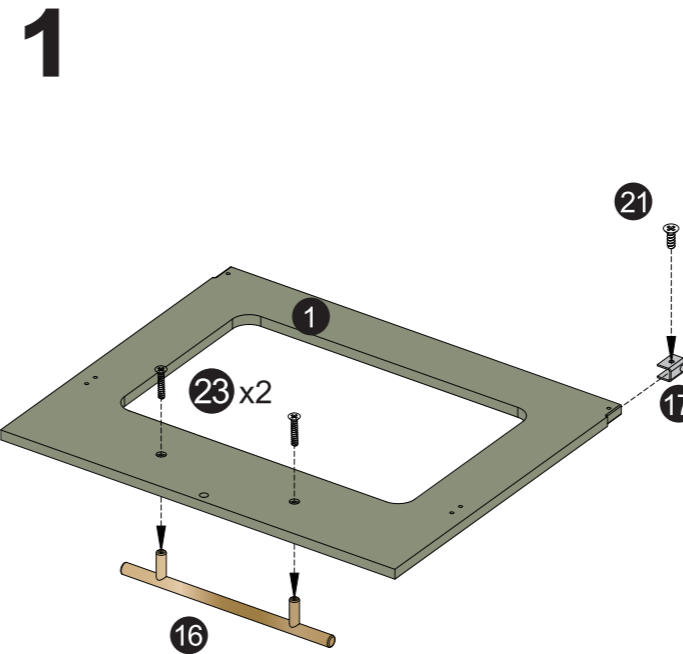
				
x1	x1	x1	x4	x1

				
x1	x1	x2	x1	x1

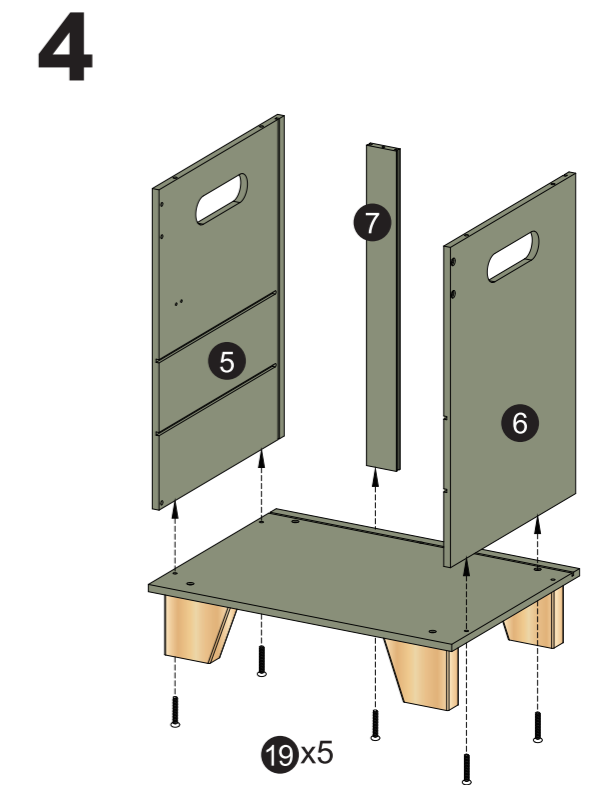
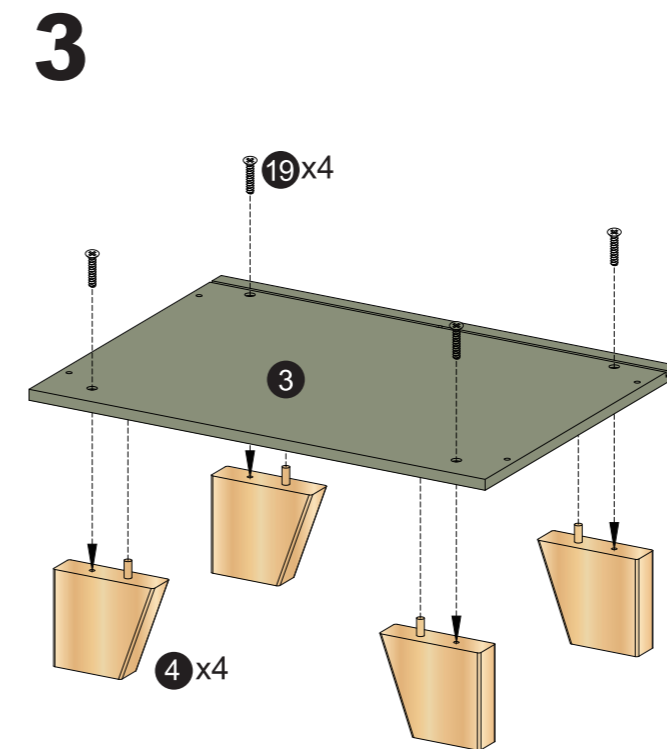
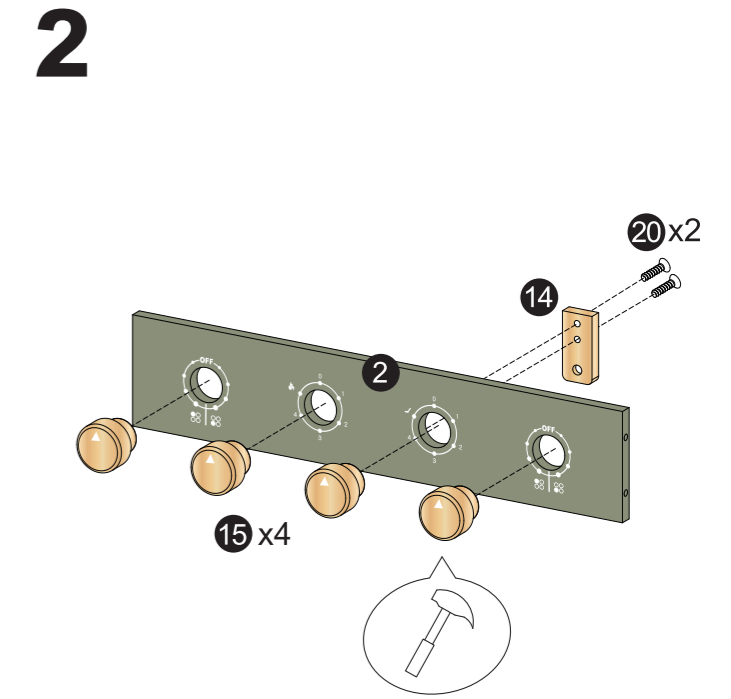
				
x2	x1	x1	x1	x4

				
x1	x1	x1	M4*25 x20	M4*14 x2

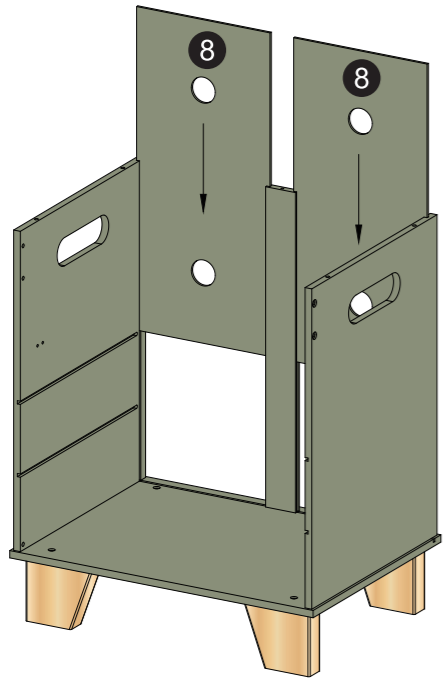
			
M4*10 x2	M3*16 x8	M4*14 x2	x1



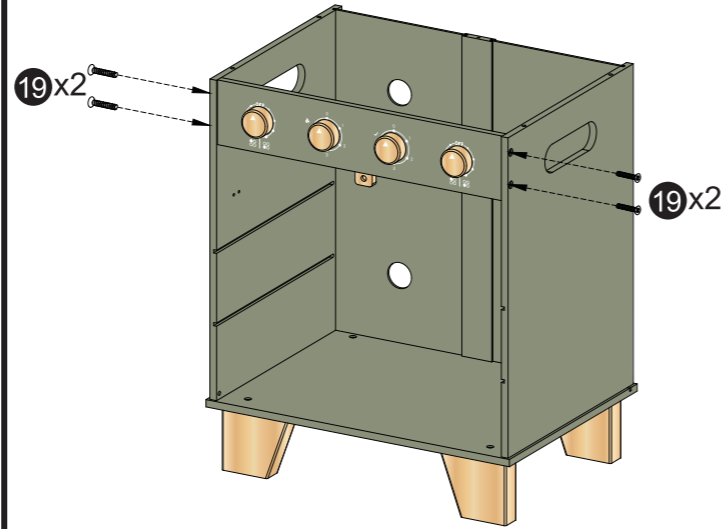
! Assemble the right door hinge first. Leave the left door hinge for later assembly.



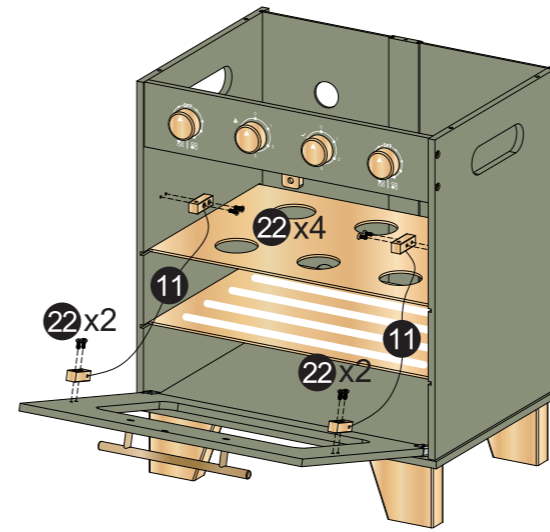
5



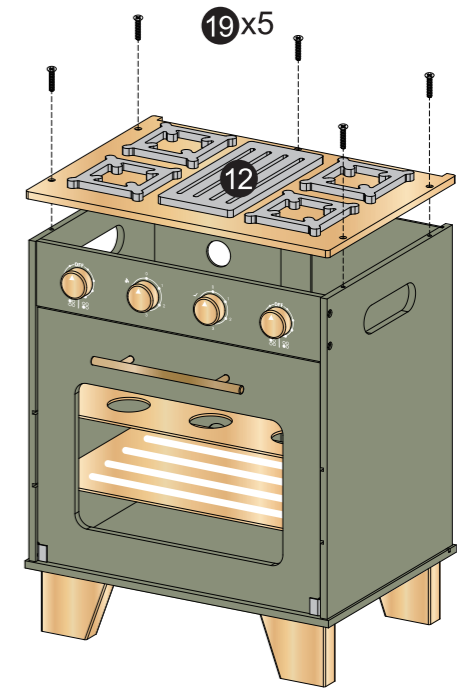
6



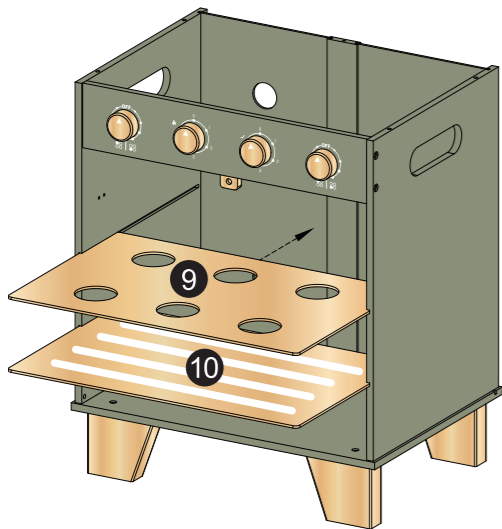
9



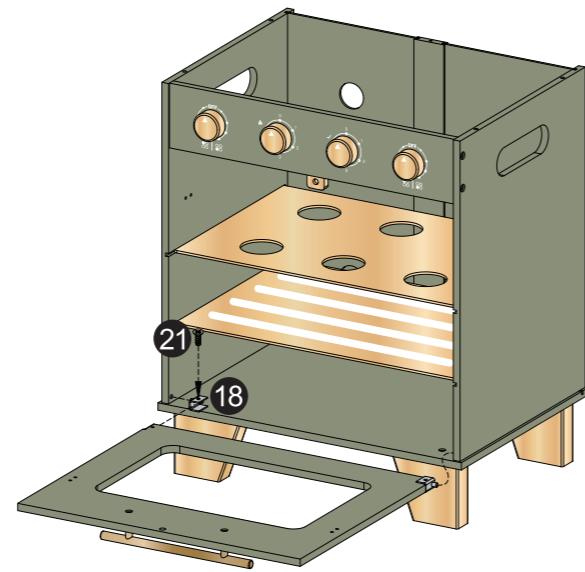
10



7

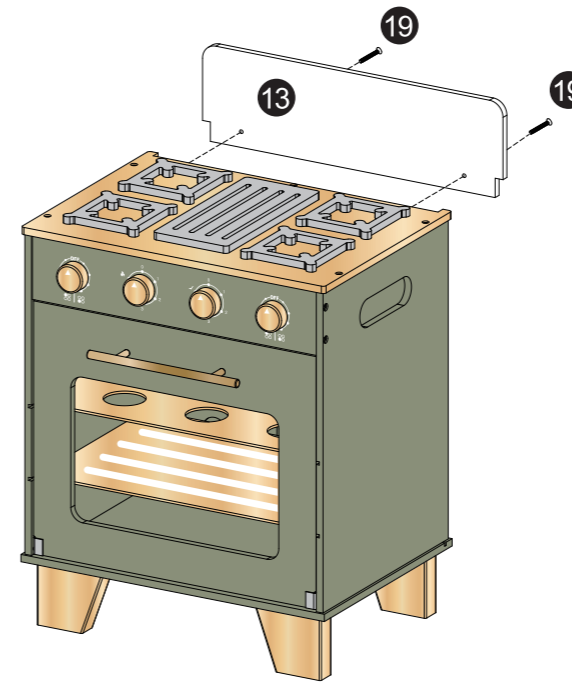


8

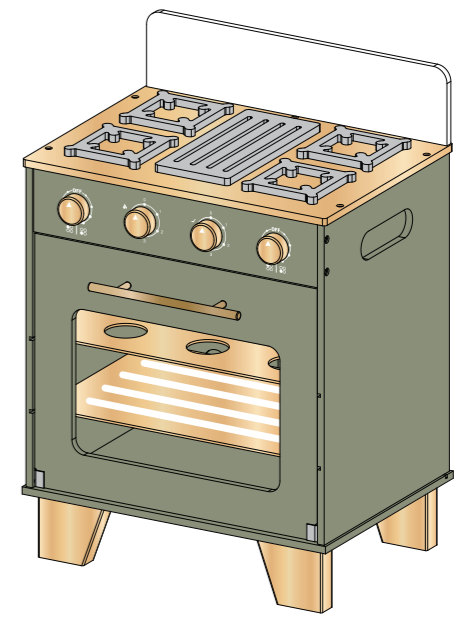


Insert Part 18 into the hole first.
Place the right door hinge into the hole.
At last, slide the oven board onto the left door hinge and secure it with screws.

11



12



Finally, put cakes into the oven.