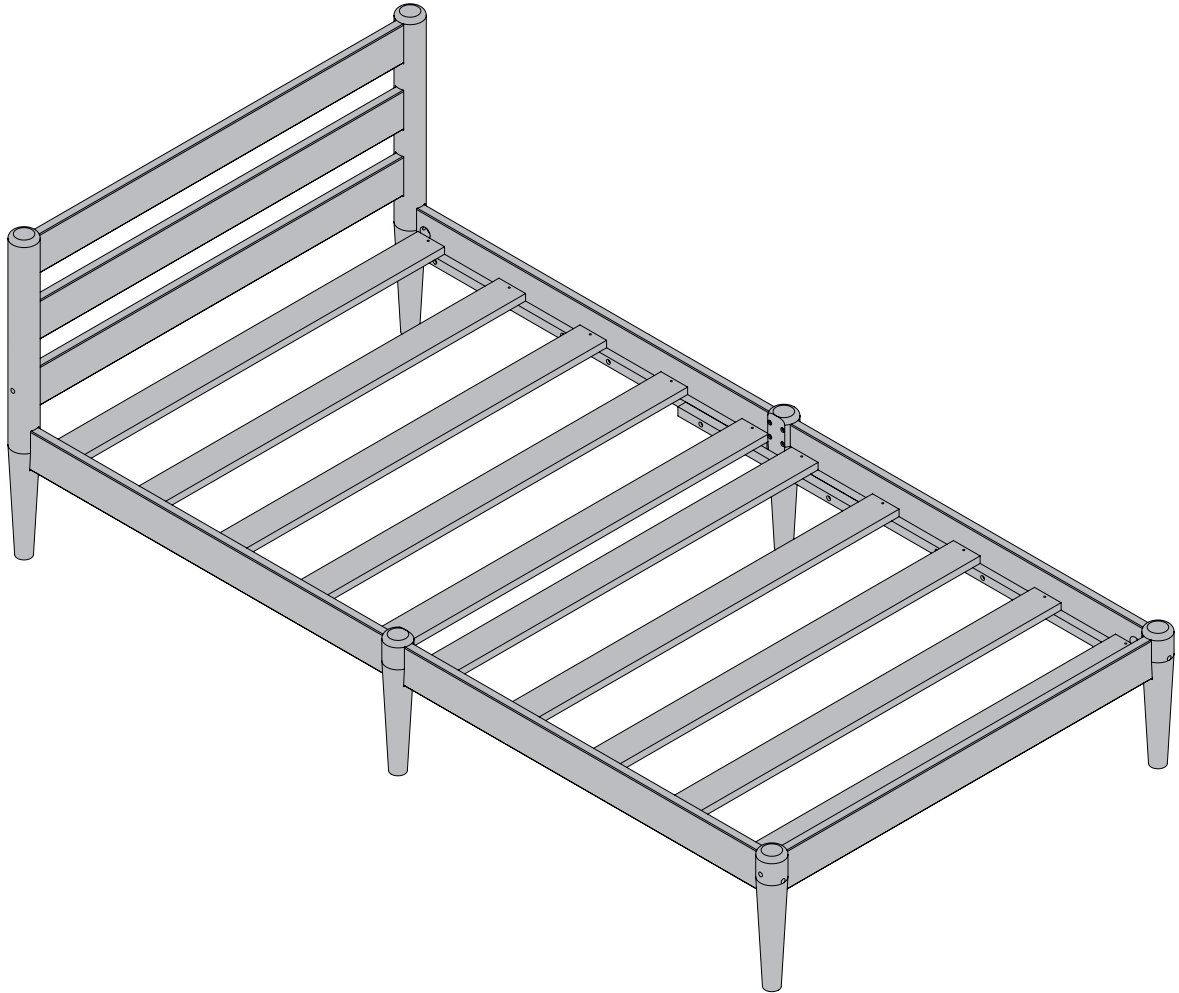


Installation & Assembly

Twin Bed



Assembly
02 people



Time
1:00 hour approximately

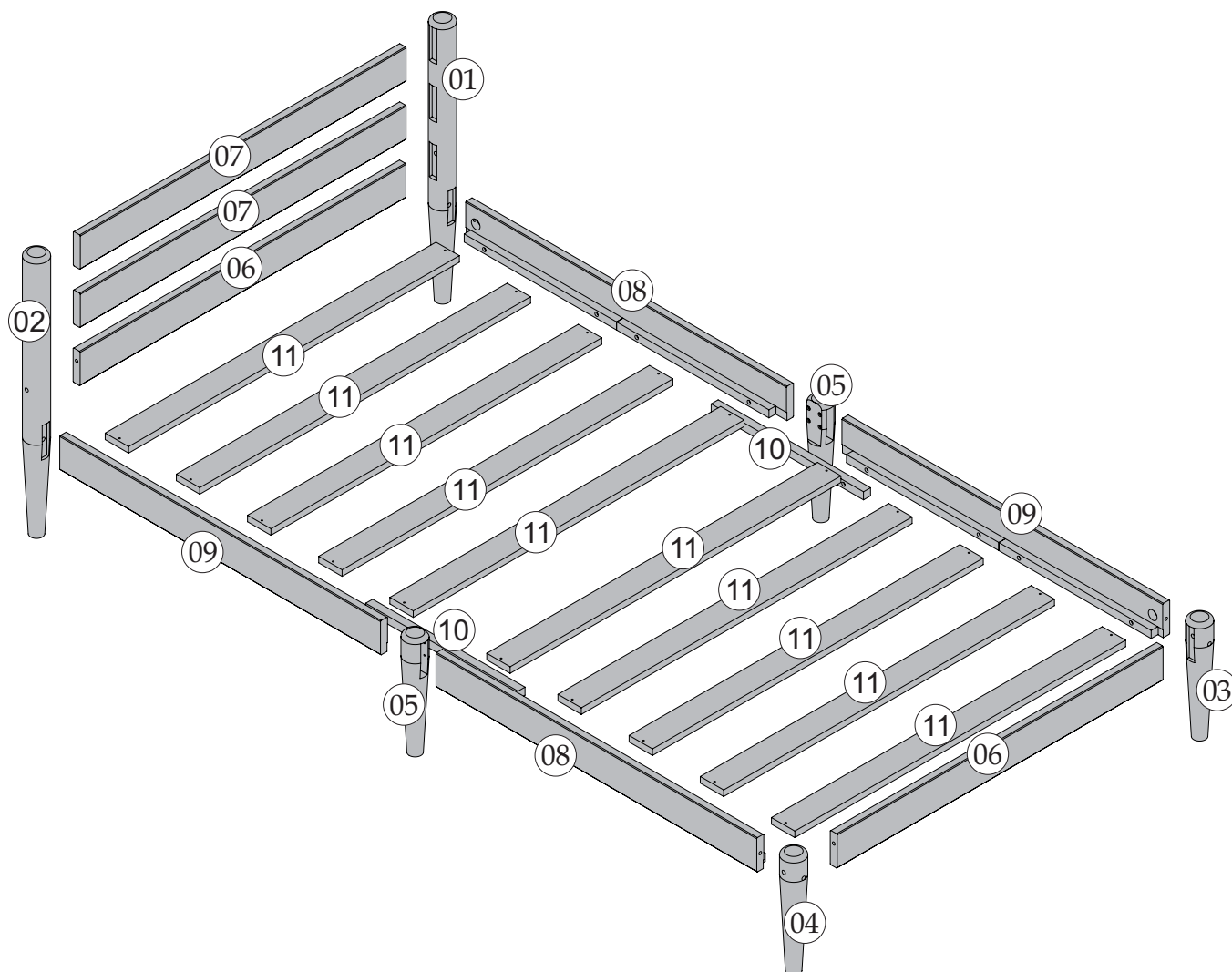


Tools
philips key, rubber hammer



Volume quantity
01 boxes



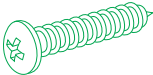

Parts list for assembly. Please confirm all parts available before assembly

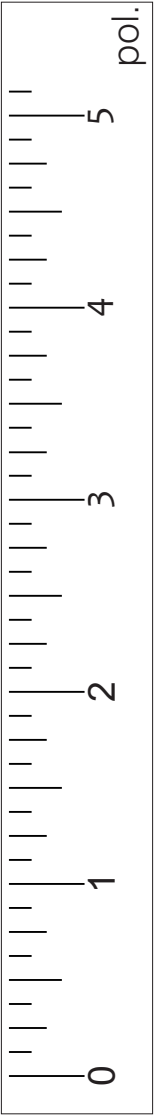


ATTENTION

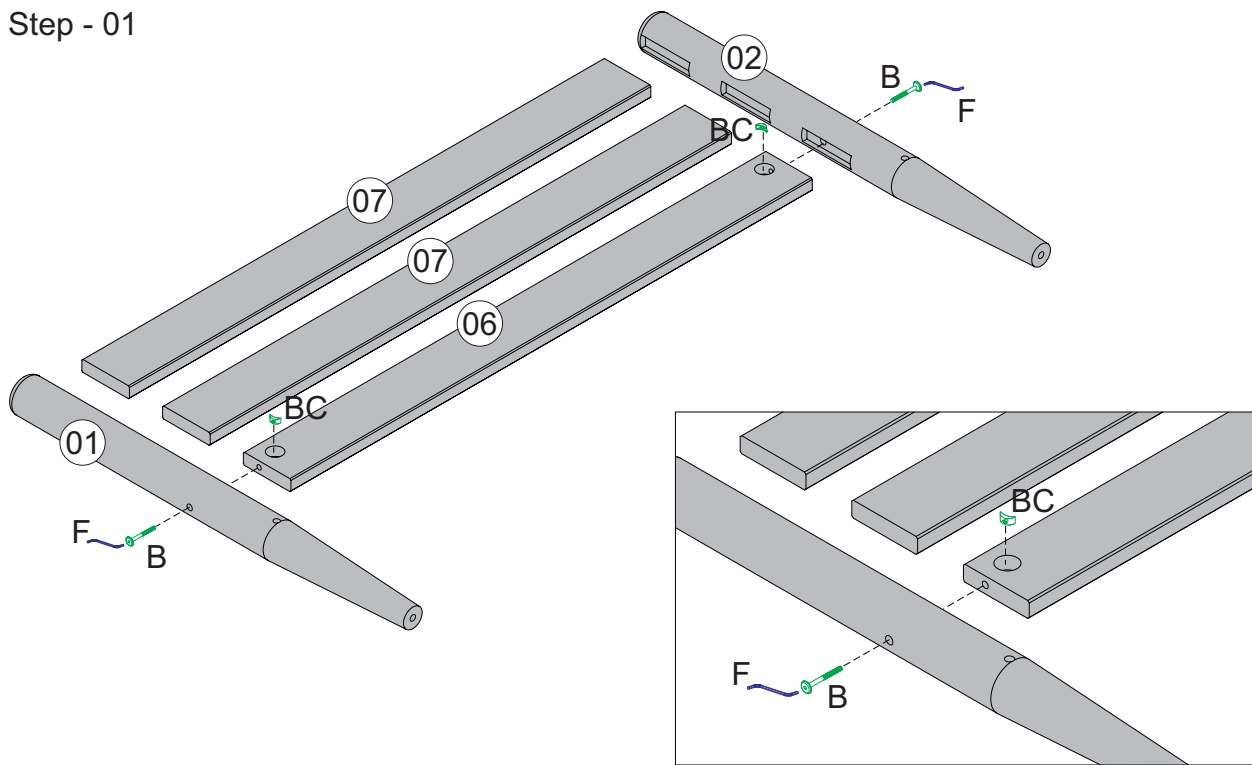
- * Read and observe carefully all the assembly instructions before beginning assembly.
- * The assembly of the product must be done on a clean and flat surface. We suggest to use the packaging to cover the floor to avoid damages.
- * The screws must be tightened periodically.
- * Avoid contact with sharp objects.
- * Avoid banging pieces together.

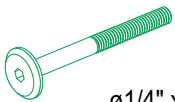


Hardware list for assembly.
Please confirm all hardware available before assembly

B	 $\emptyset 1/4" \times 4' 1/4"$	08x	+	SPARE 01x
F		01x	+	01x
AE	 $\emptyset 1/8" \times 1' 1/8"$	32x	+	03x
BC	 $1/4"$	08x	+	01x

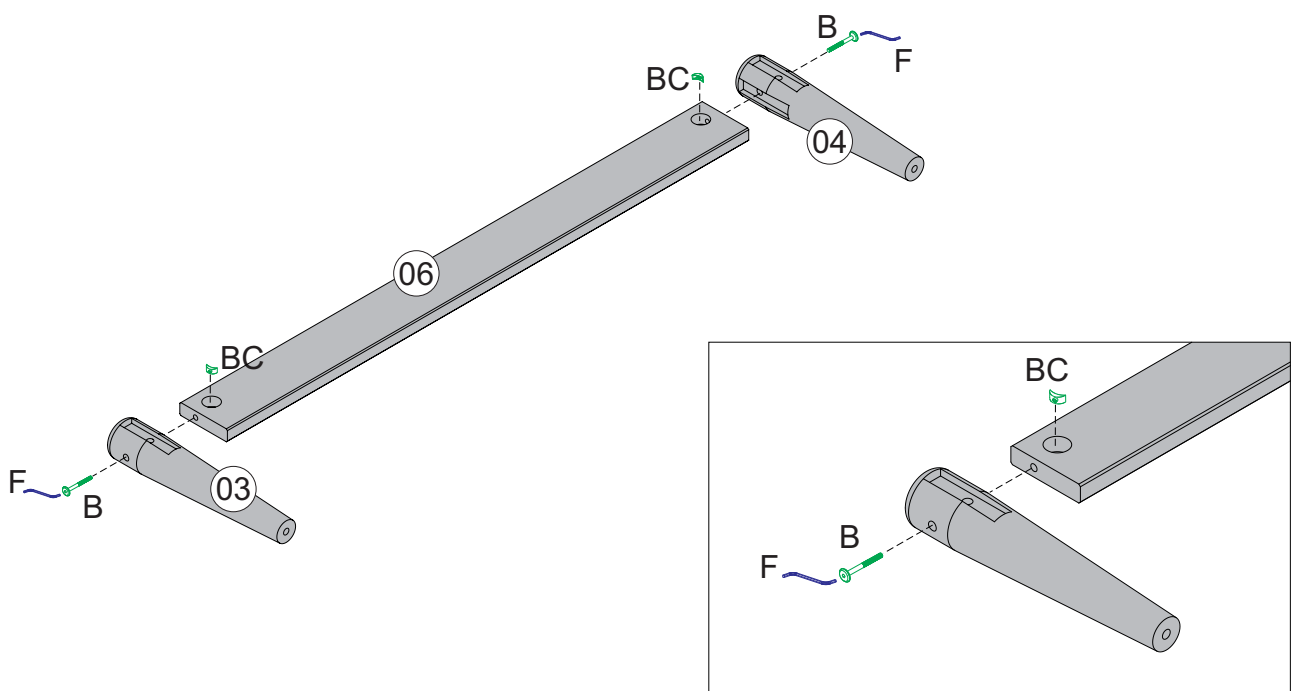


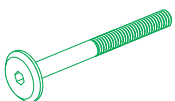


Step - 01



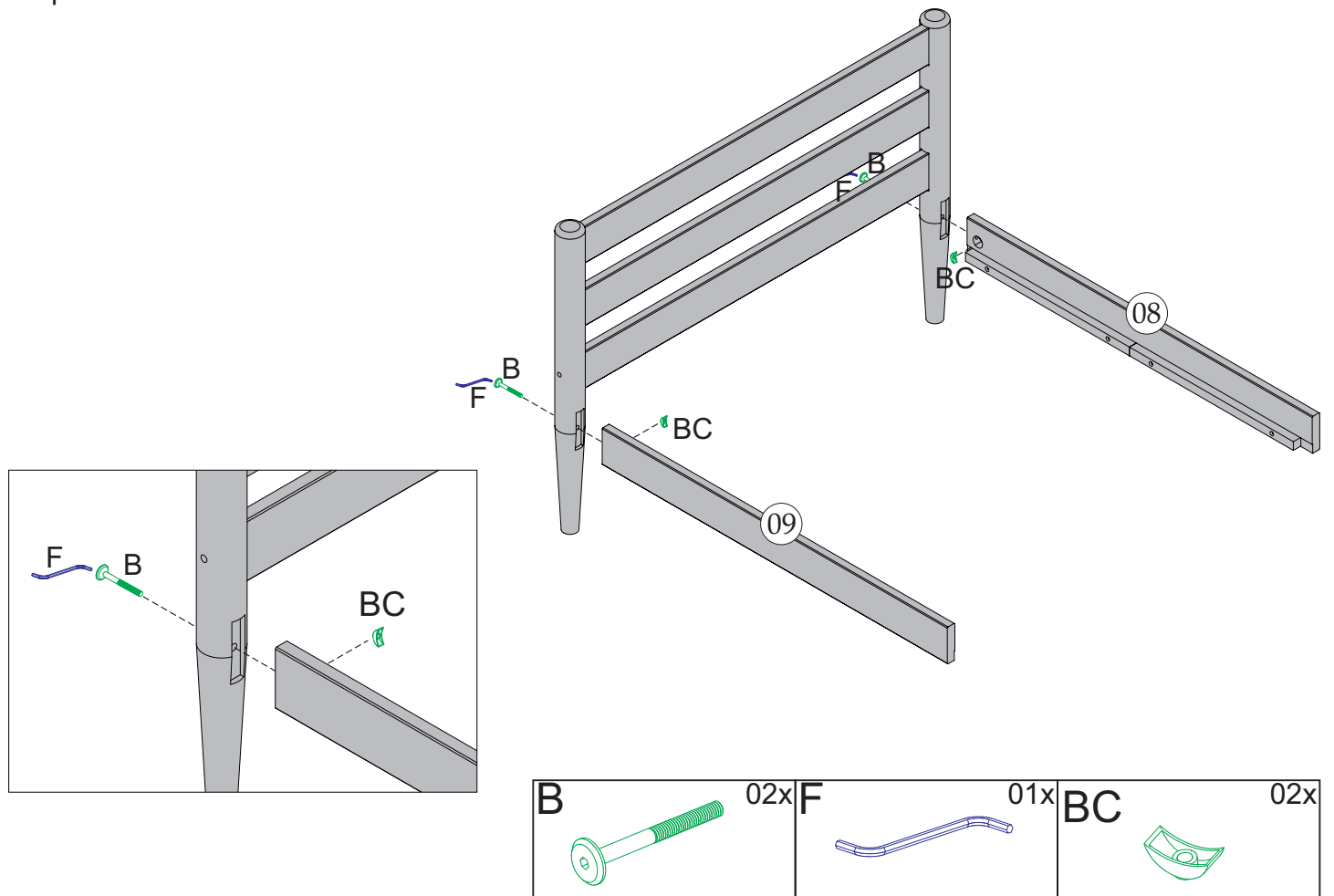
B		02x	F		01x	BC		02x
	$\varnothing 1/4" \times 4 1/4"$							1/4"

Step - 02

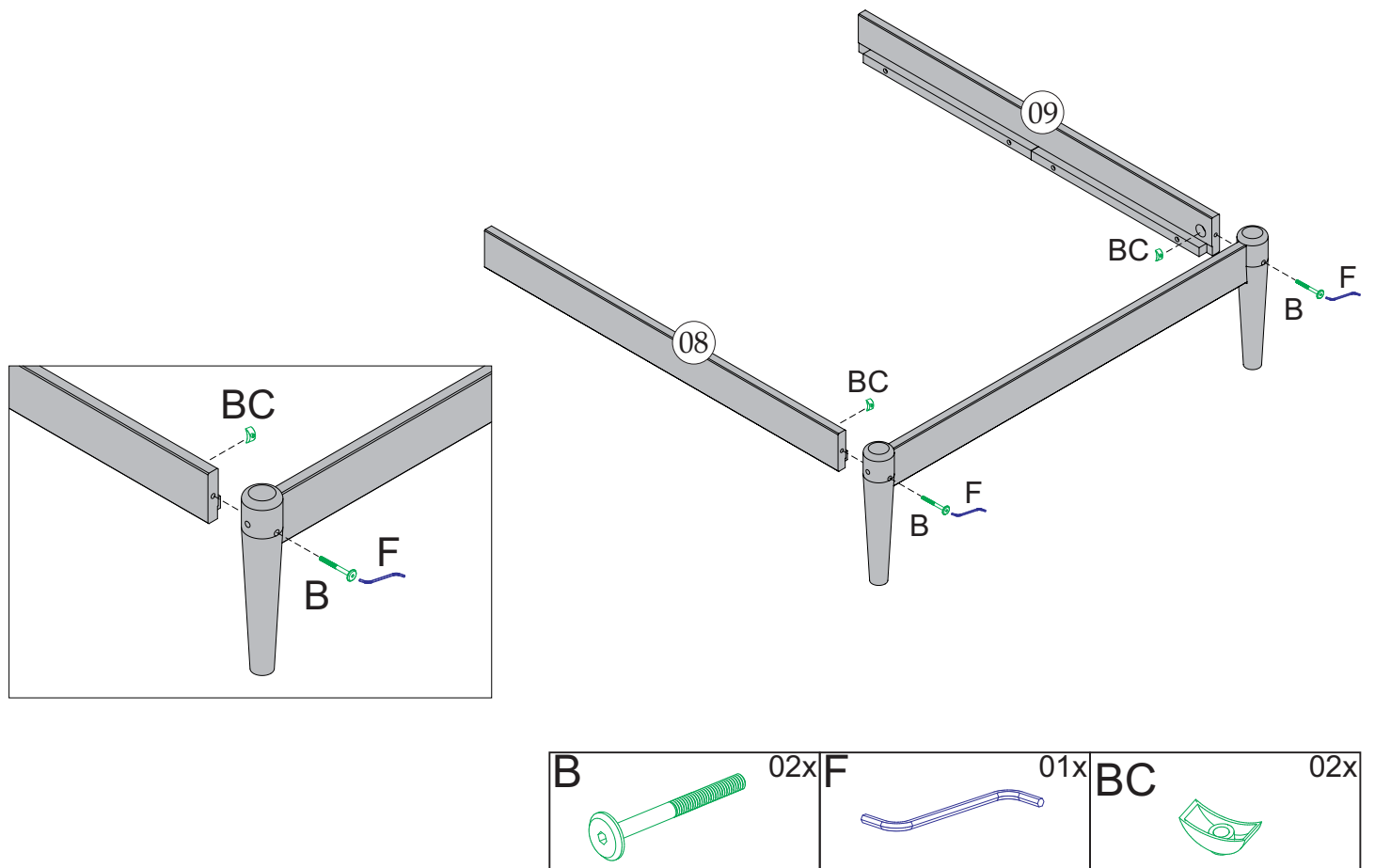


B		02x	F		01x	BC		02x
	$\varnothing 1/4" \times 4 1/4"$							1/4"

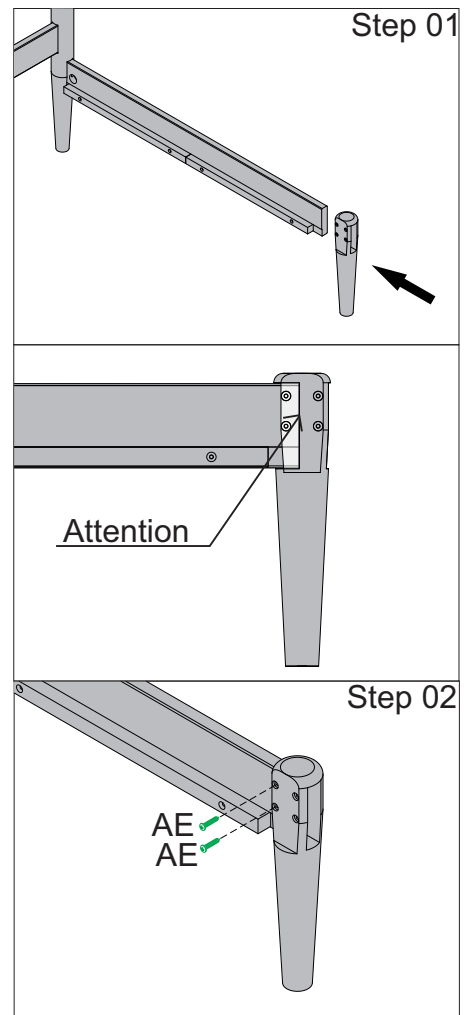
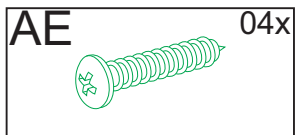
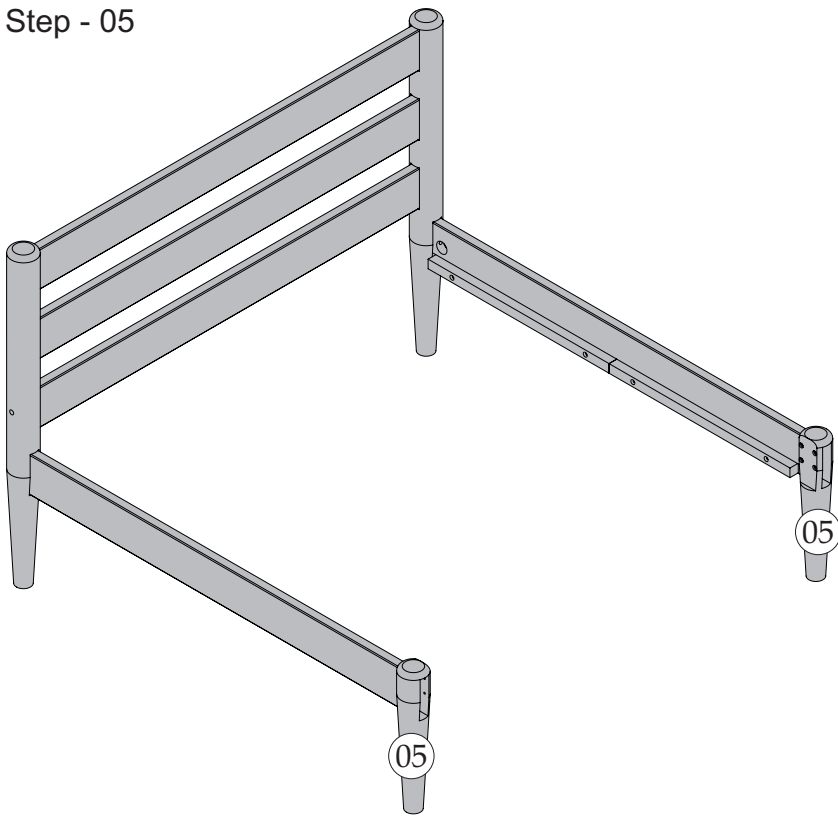
Step - 03



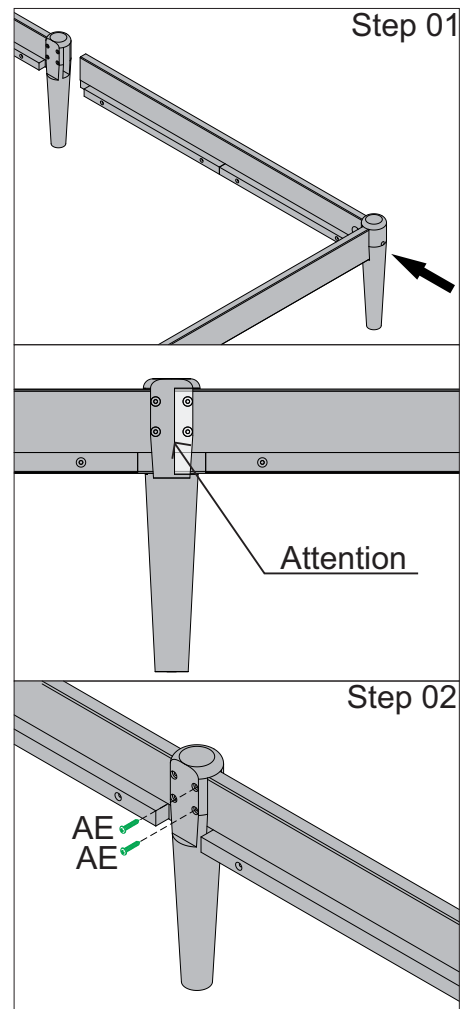
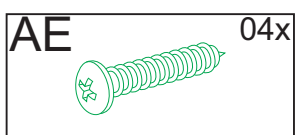
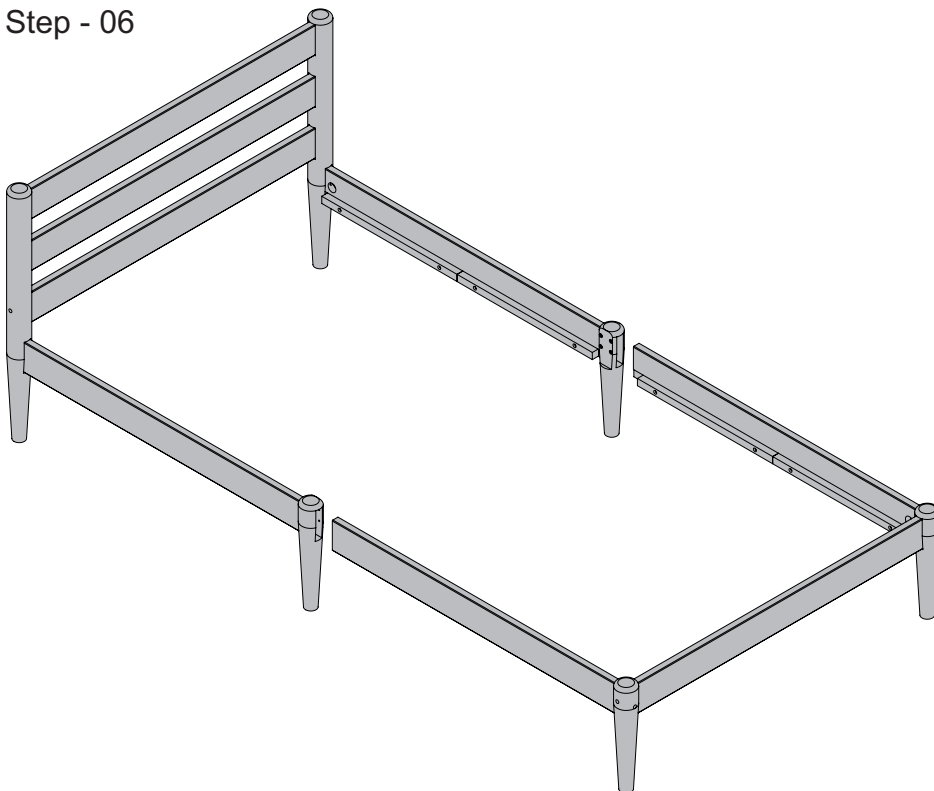
Step - 04



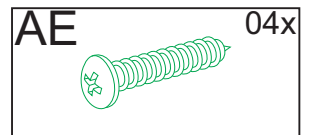
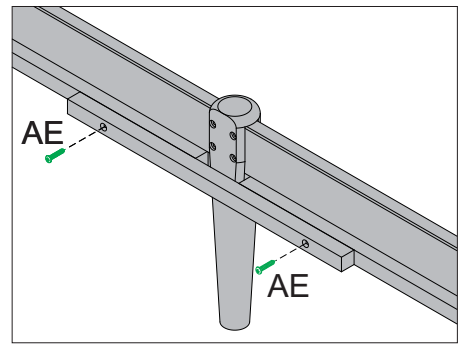
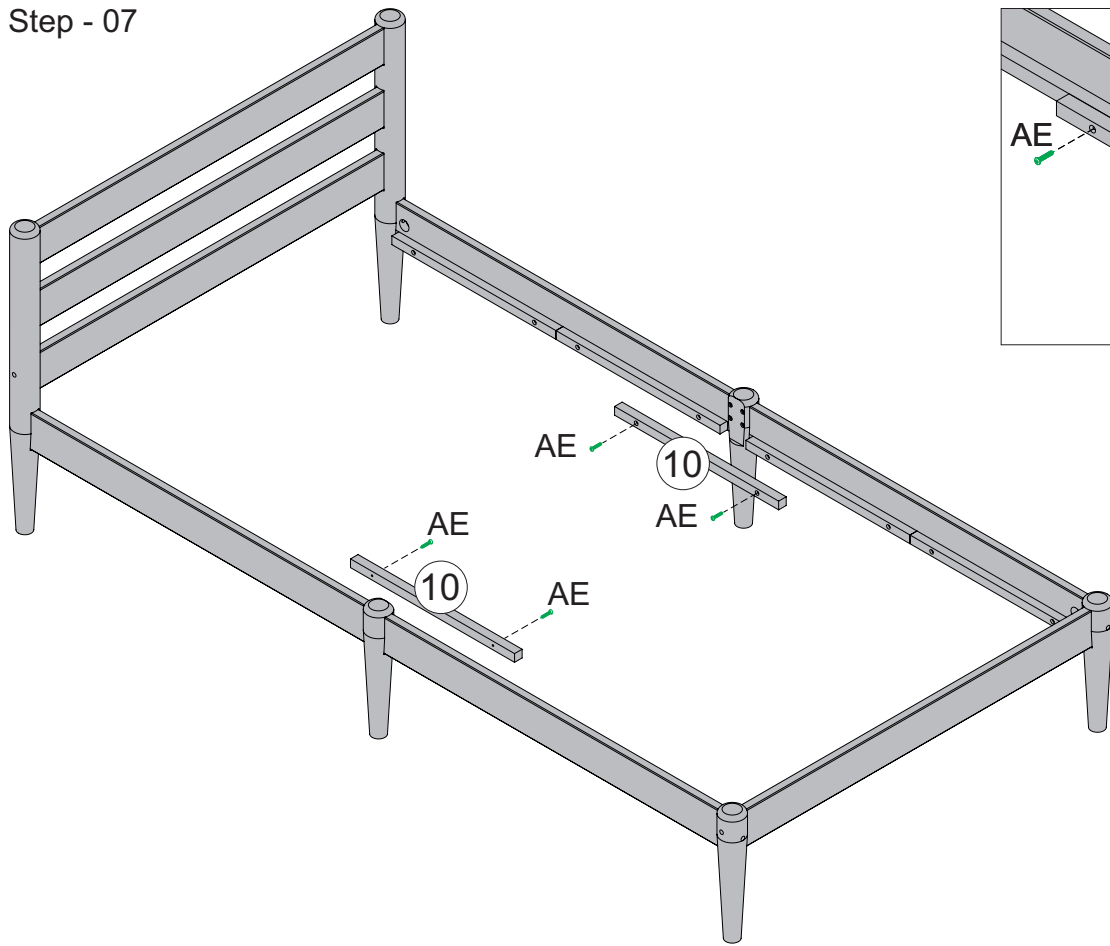
Step - 05



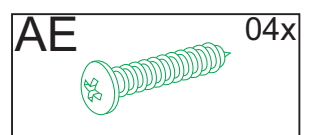
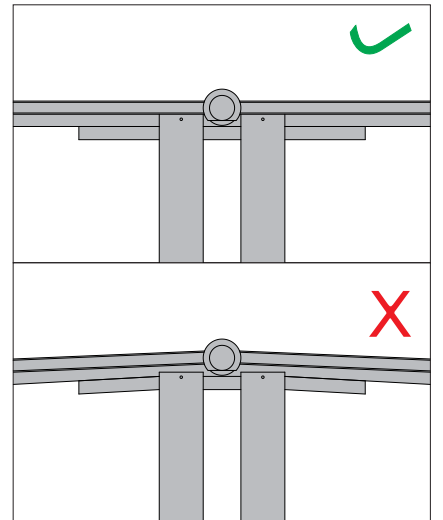
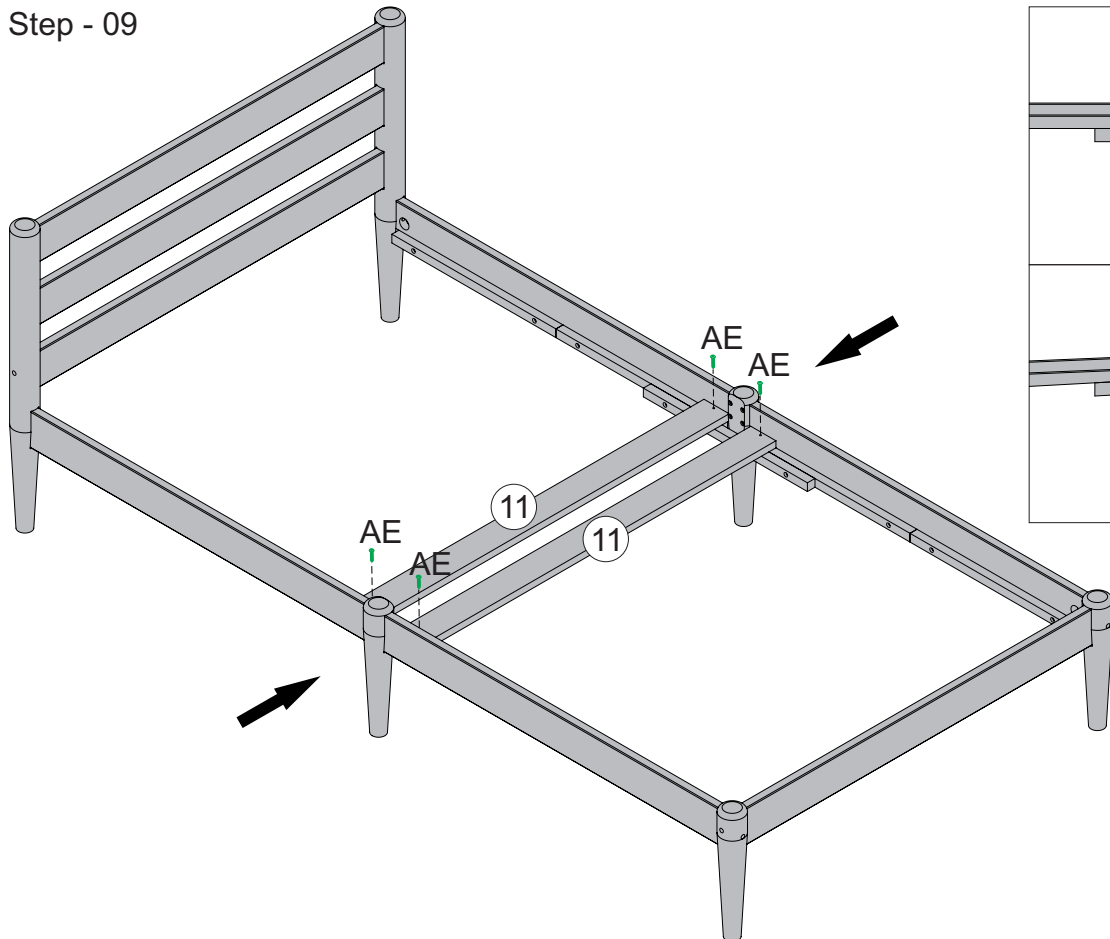
Step - 06



Step - 07



Step - 09



Step - 09

