

INSTALLATION

Product Manual



IMPORTANT INFORMATION!

please read the entire manual before starting to assemble and/or using this product. follow the manual thoroughly and keep it for further reference.



AVOID SCRATCHES!

In order to avoid scratching this furniture should be assembled on a soft layer- could be a rug.



IMPROVE EFFICIENCY !

Try to find a partner to install with you, which can speed up the installation efficiency and shorten the time.



ANTI-TOPPLE WARNING !

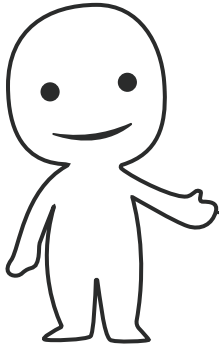
Overturned furniture can cause serious or fatal crush injuries. To prevent tipping over, be sure to use the wall attachment, if not included with this product. Please purchase the wall attachment that fit your wall. If unsure, seek professional advice. Please read and follow each step of the instructions carefully.

IMPORTANT !

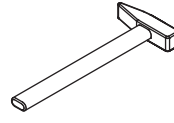
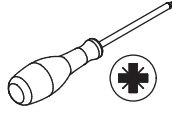
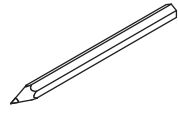
It is important that any product which is assembled using any kind of screw is re-tightened 2 weeks after assembly, and once every 3 months - in order to assure stability through-out the lifespan of the product.

For regular maintenance and cleaning of the product, for the frame, please use a rag dipped in neutral detergent to fully wipe it, and then dry it with a clean rag. For glass materials, wipe with a rag dampened with water glass cleaner, and then dry with a dry rag.

Do not use an electric screwdriver, and do not use too much force when installing, because the board is easy to break.

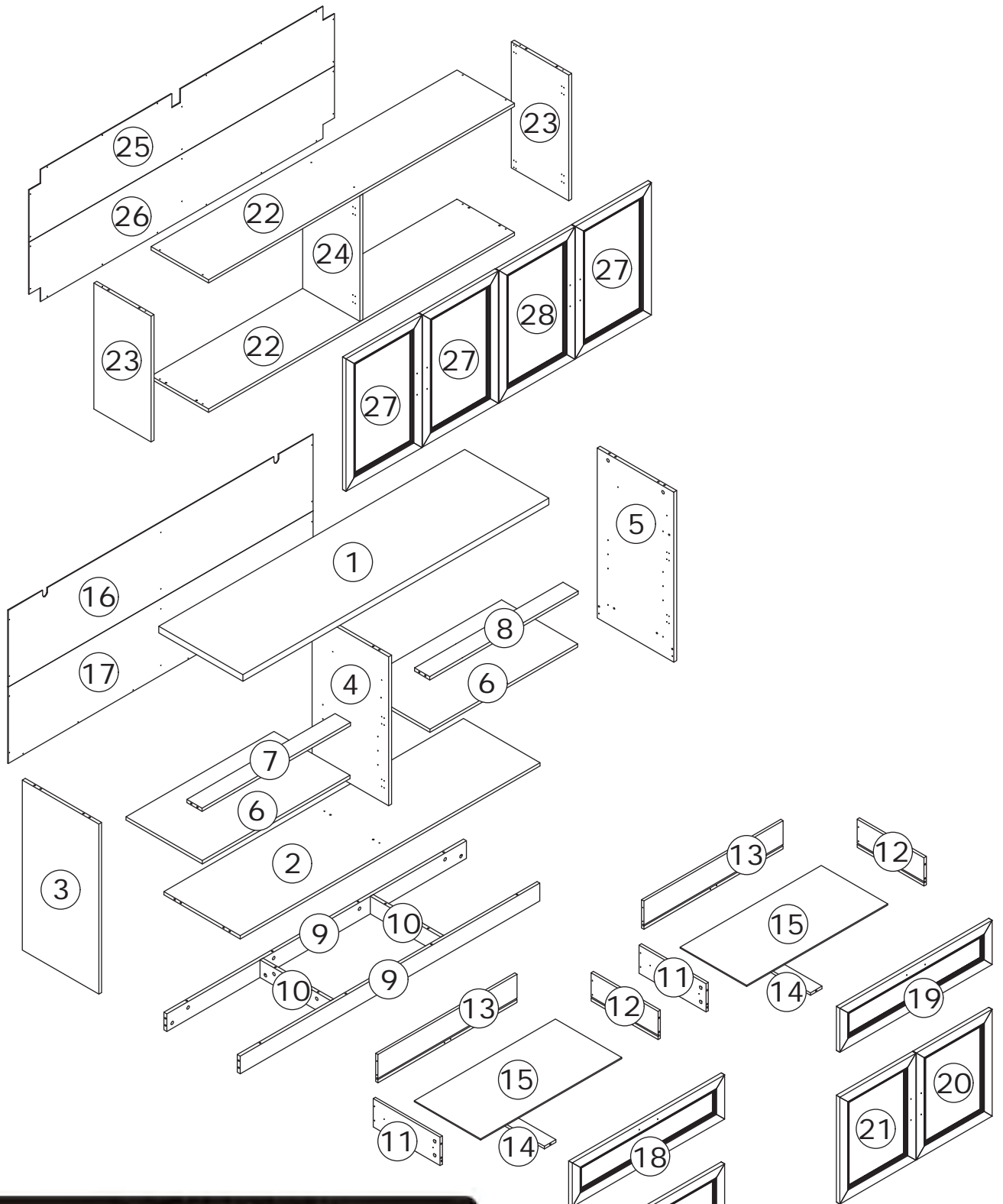


Please prepare the following tools



When installing, please carefully confirm whether each screw corresponds to the manual, accessories with similar shapes can be distinguished by size

<p>A x 43</p>  <p>CRA0635A</p>	<p>B x 43</p>  <p>CRB1595A</p>	<p>C x 35</p>  <p>CRF0830A</p>	<p>D x 15</p>  <p>CRD0440A</p>	<p>E x 12</p>  <p>CRD0430A</p>
<p>F x 8</p>  <p>DGA861A</p>	<p>G x 8</p>  <p>DGA861B</p>	<p>H x 118</p>  <p>CRD3514A</p>	<p>J x 4</p>  <p>HG3508-14"</p>	<p>K x 16</p>  <p>CRD3512A</p>
<p>L x 8</p>  <p>Ø 4.9 x 16 mm</p>	<p>M x 10</p>  <p>96 mm</p>	<p>N x 20</p>  <p>CRE0422A</p>	<p>P x 42</p>  <p>CRE0312A</p>	<p>Q x 7</p>  <p>Ø 8 x 60 mm</p>
<p>R x 2</p> 	<p>S x 5</p> 	<p>T x 7</p>  <p>CRD0555A</p>		



⚠ WARNING



Children have died from furniture tipover. To reduce the risk of furniture tipover:

- ALWAYS install Anti-tip device provided.
- NEVER put a TV on this product.
- NEVER allow children to stand, climb or hang on drawers, doors, or shelves.
- NEVER open more than one drawer at a time.
- Place heaviest items in the lowest drawers.



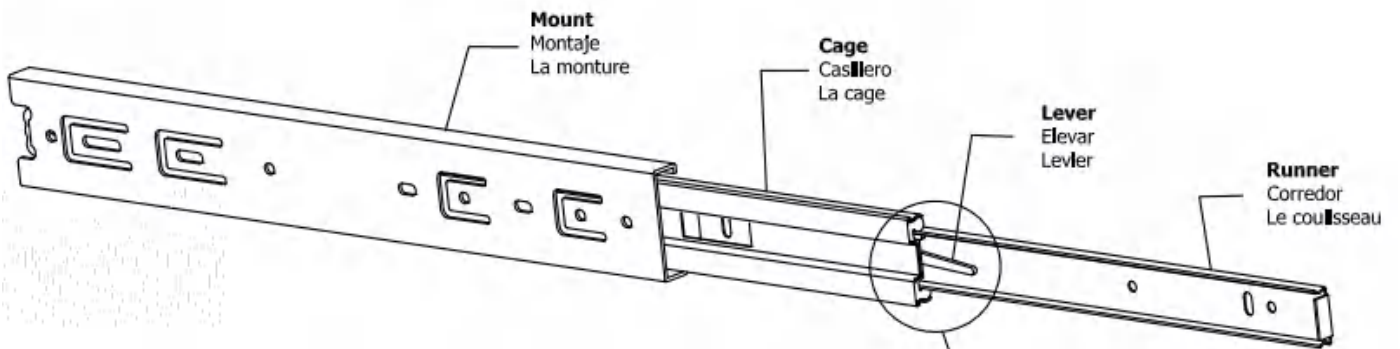
*This is a permanent label.
Do not remove!*



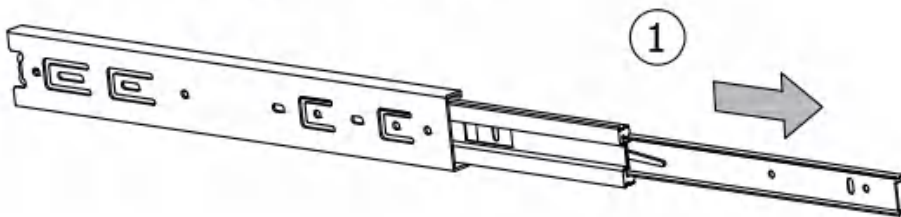
**Slides Must Be Separated Before Assembly.
After Separated, Set Aside Until Needed for Assembly.**

Las diapositivas deben separarse antes del montaje.
Después de la separación, déjelo a un lado hasta que sea necesario.

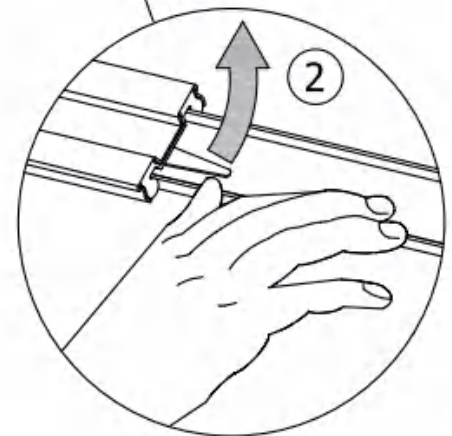
Les glissières doivent être séparées avant l'assemblage.
Après la séparation, mettez de côté jusqu'au moment de l'assemblage.



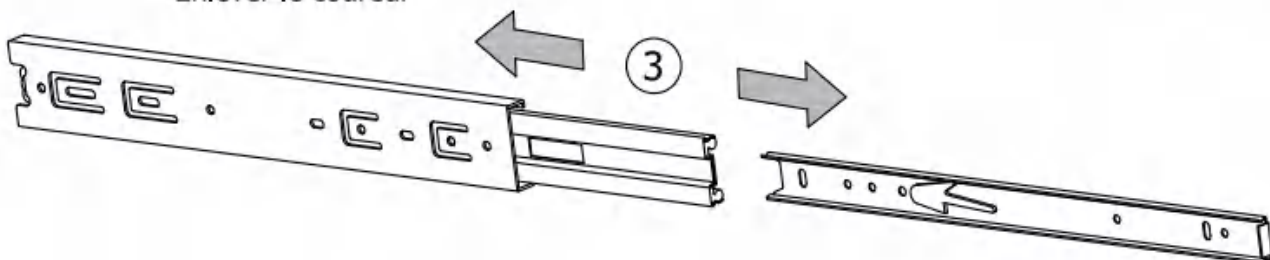
STEP 1: Extend Slide
Extender la diapositiva
Extendre la diapositive



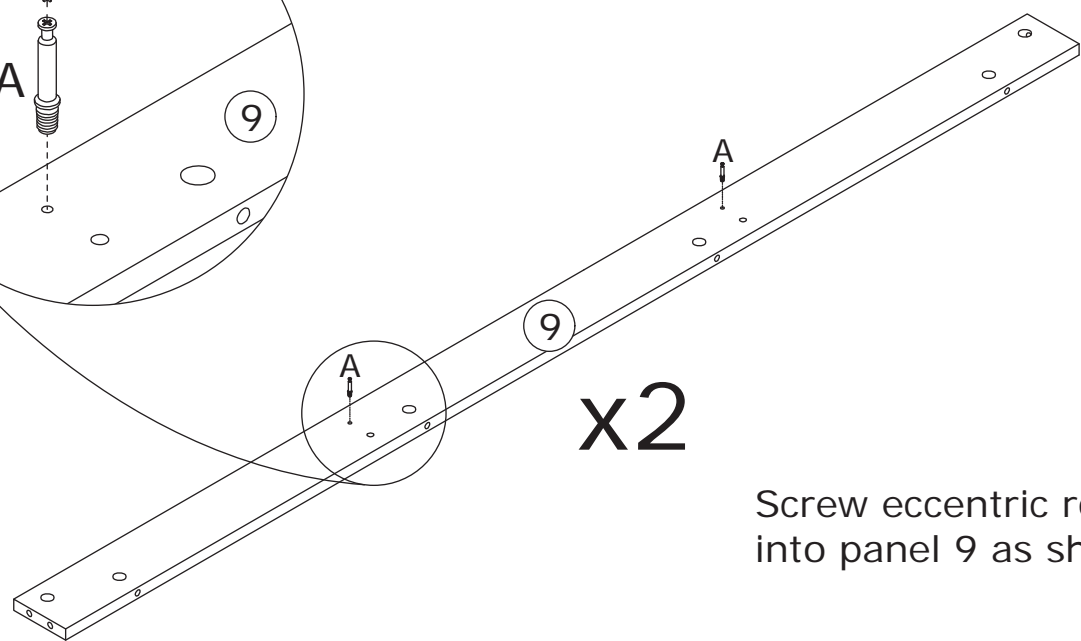
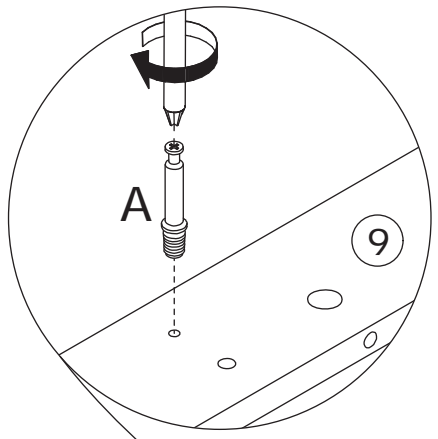
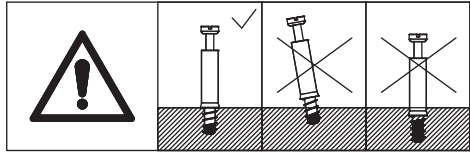
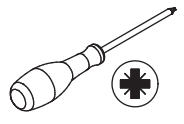
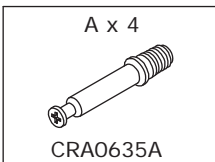
STEP 2: Push Lever UP
Empujar hacia arriba
Lever le levier



STEP 3: Remove Runner
Quitar el corredor
Enlever le coureur

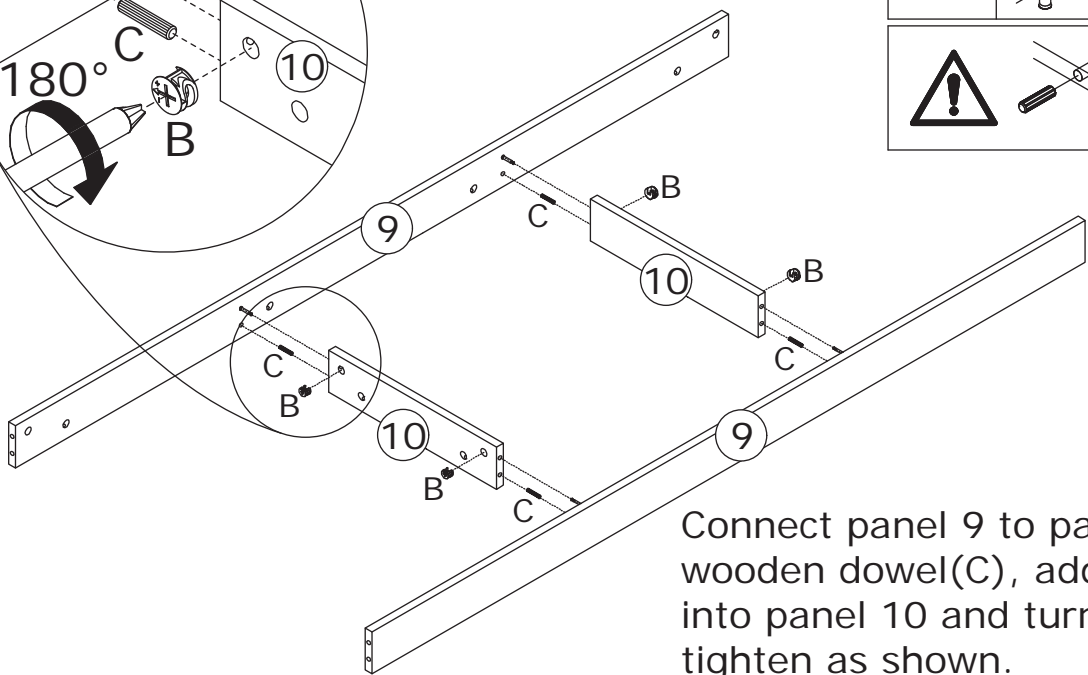
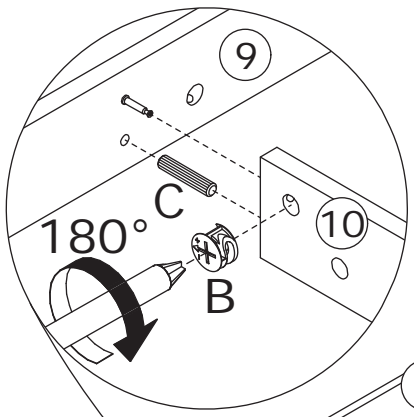
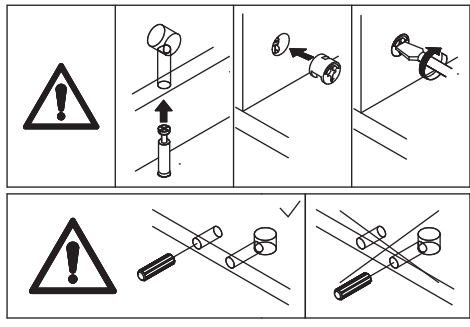
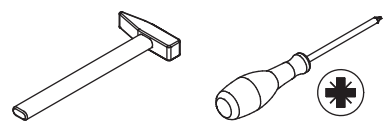
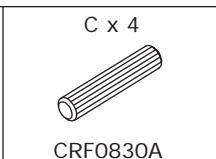
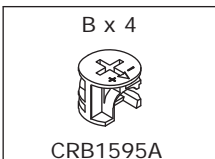


1



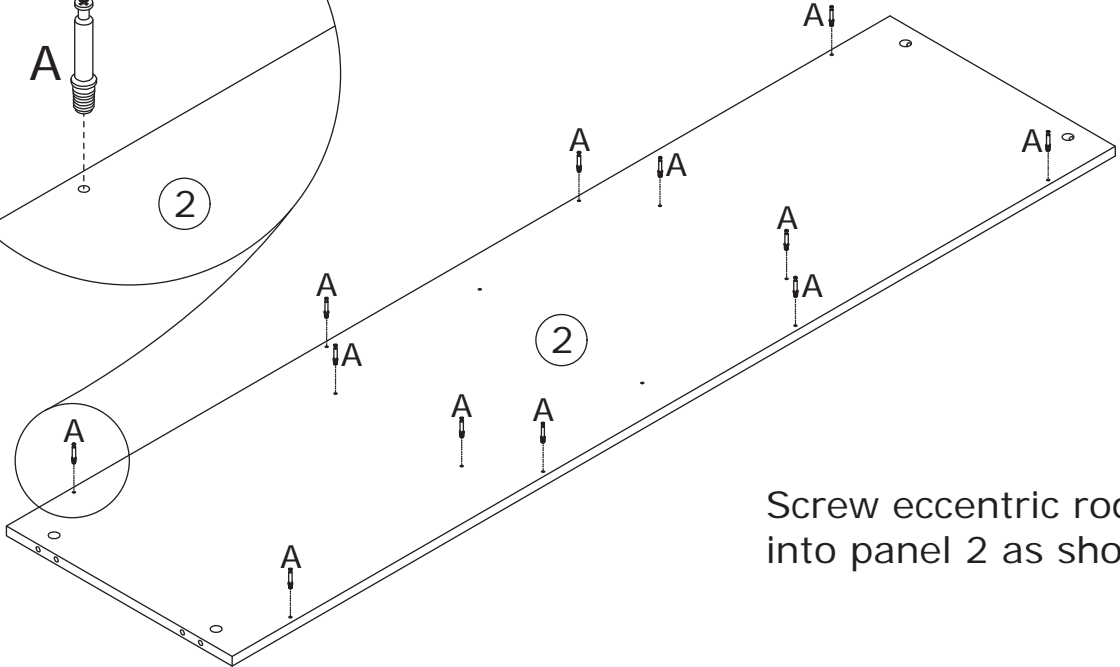
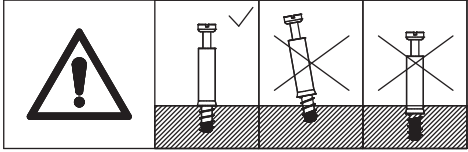
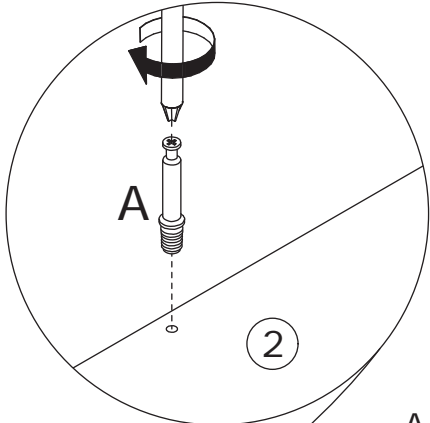
Screw eccentric rod(A)
into panel 9 as shown.

2



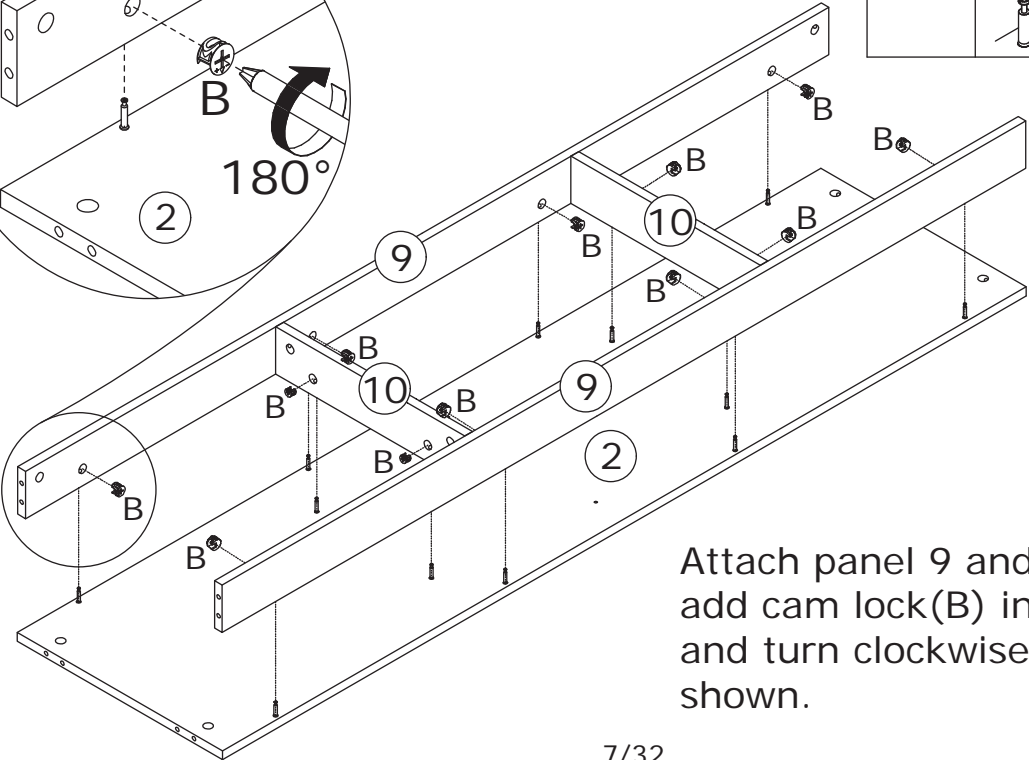
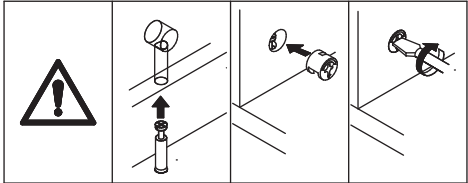
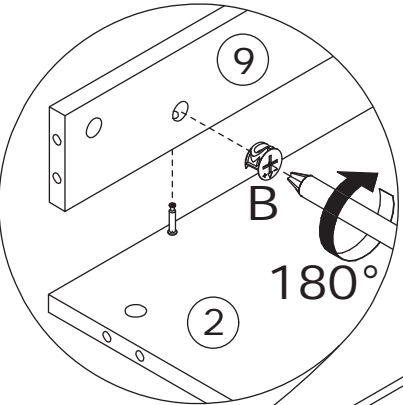
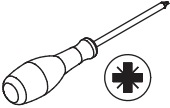
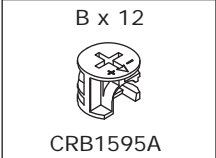
Connect panel 9 to panel 10 using
wooden dowel(C), add cam lock(B)
into panel 10 and turn clockwise to
tighten as shown.

3



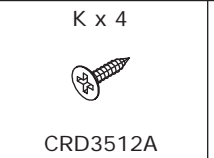
Screw eccentric rod(A)
into panel 2 as shown.

4

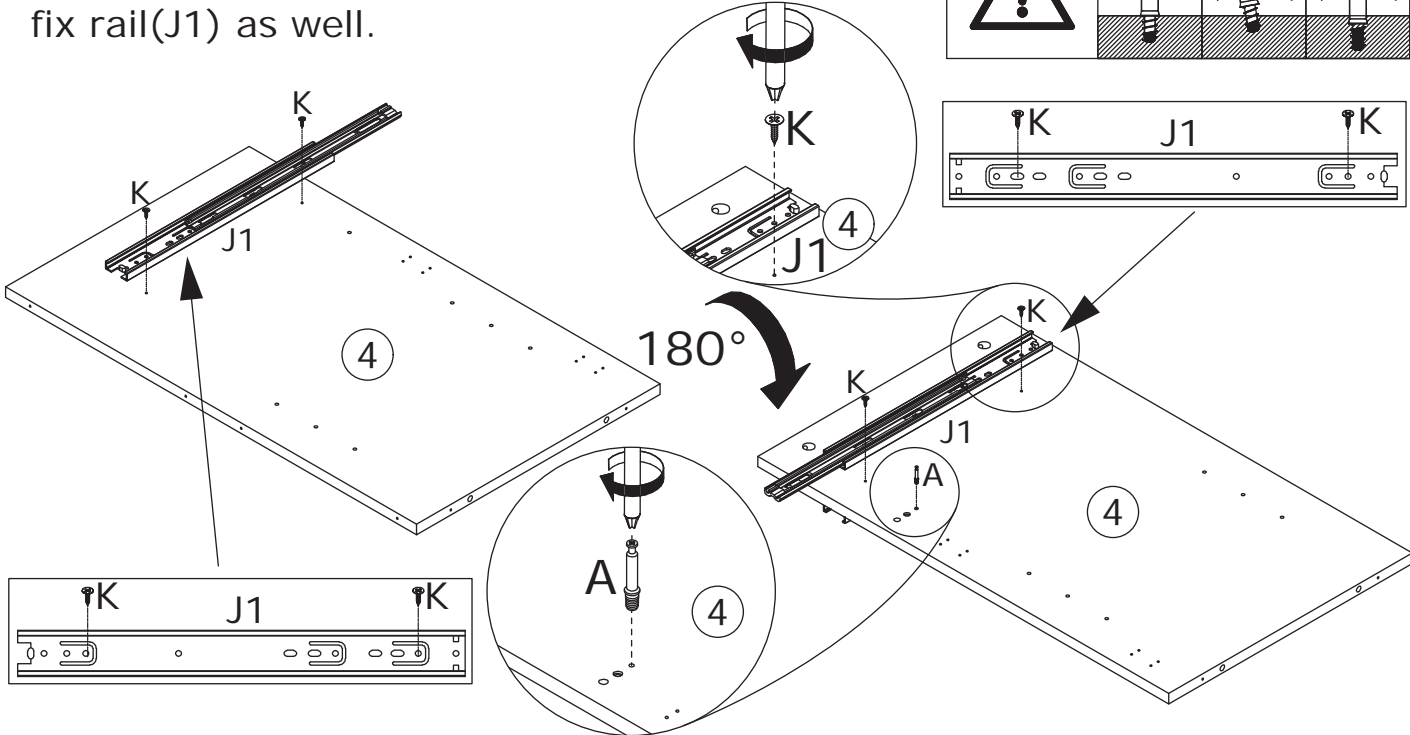
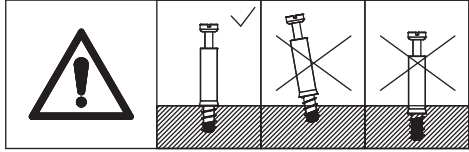


Attach panel 9 and 10 to panel 2,
add cam lock(B) into panel 9,10
and turn clockwise to tighten as
shown.

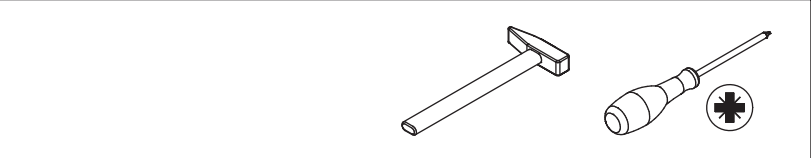
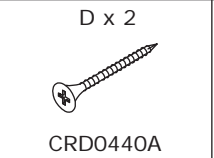
5



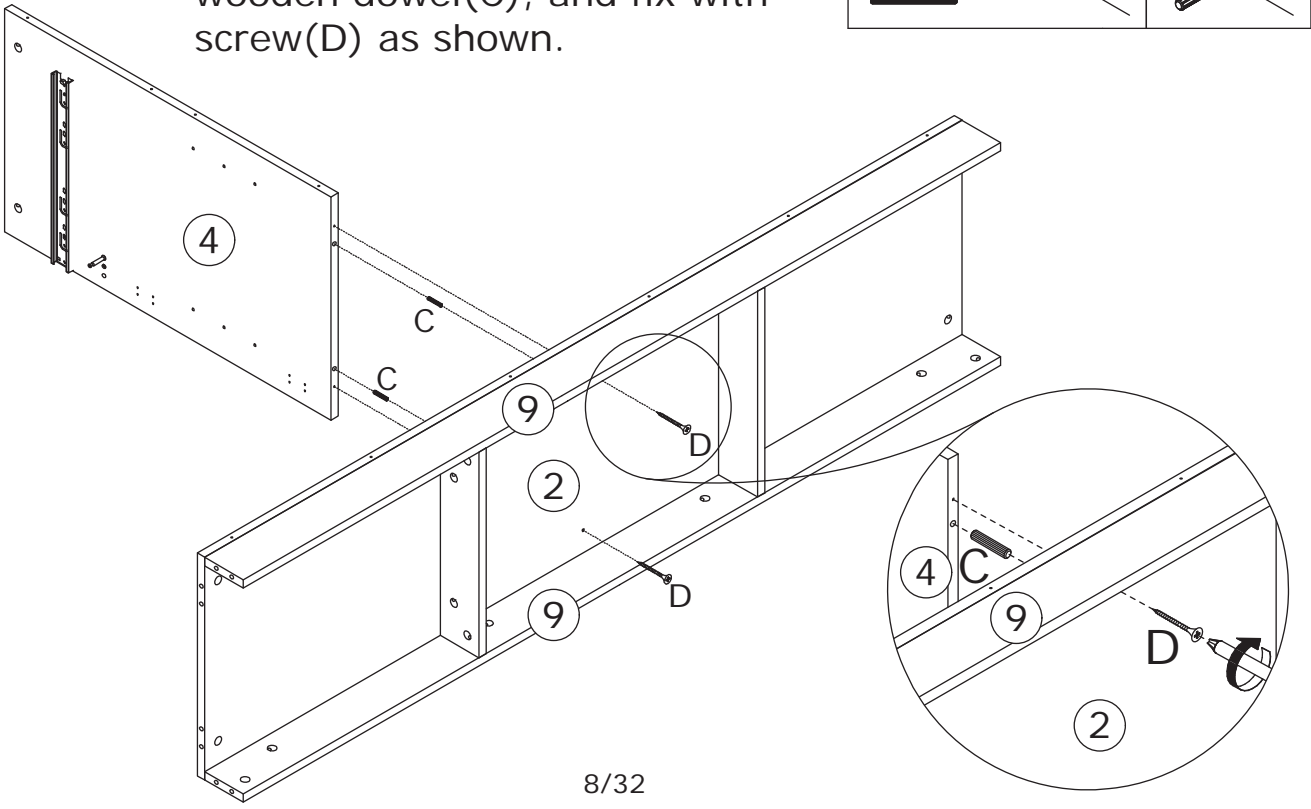
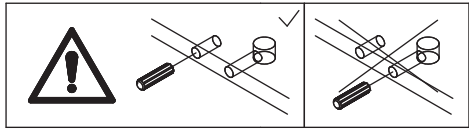
Fix rail(J1) to panel 4 with screw(K) as shown. **Flip to back**, screw eccentric rod(A) into and fix rail(J1) as well.



6



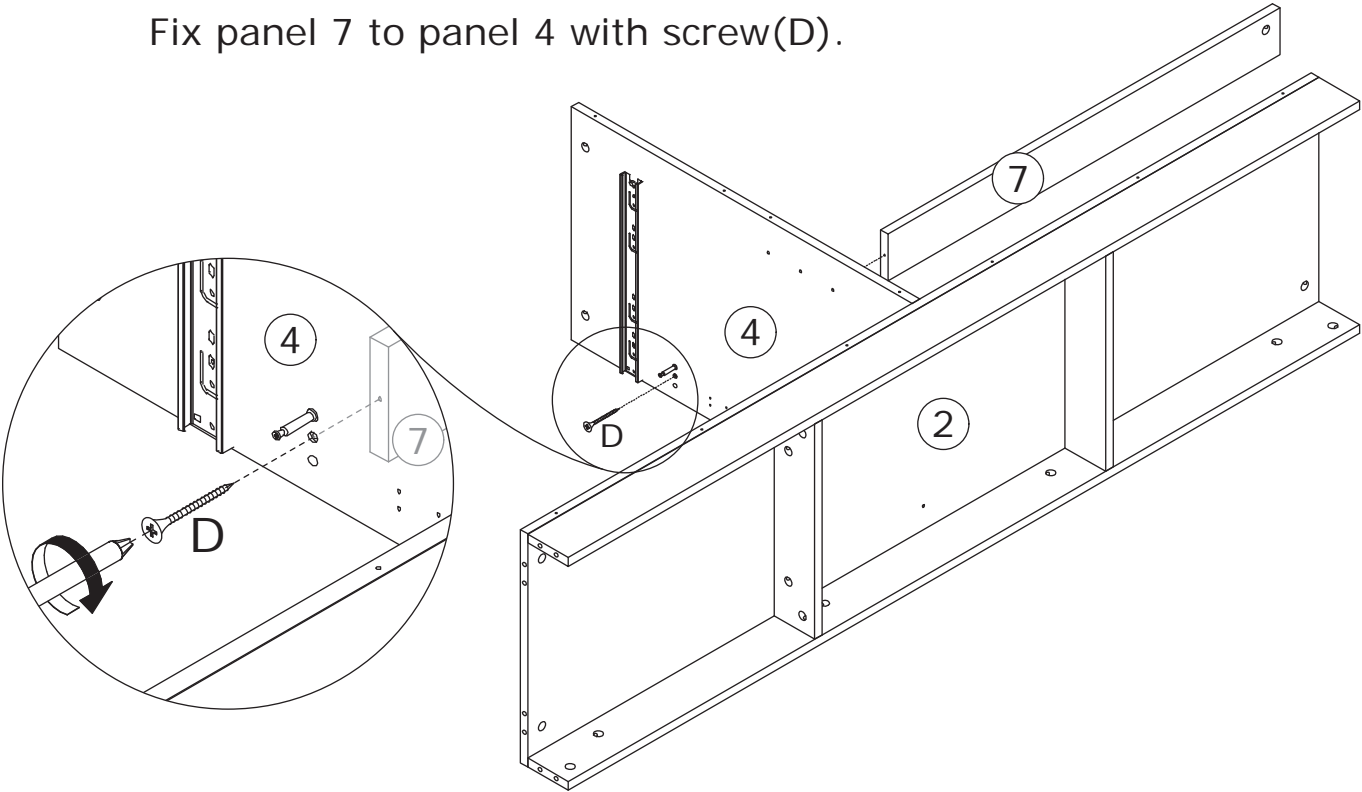
Attach panel 4 to panel 2 using wooden dowel(C), and fix with screw(D) as shown.



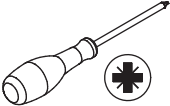
7



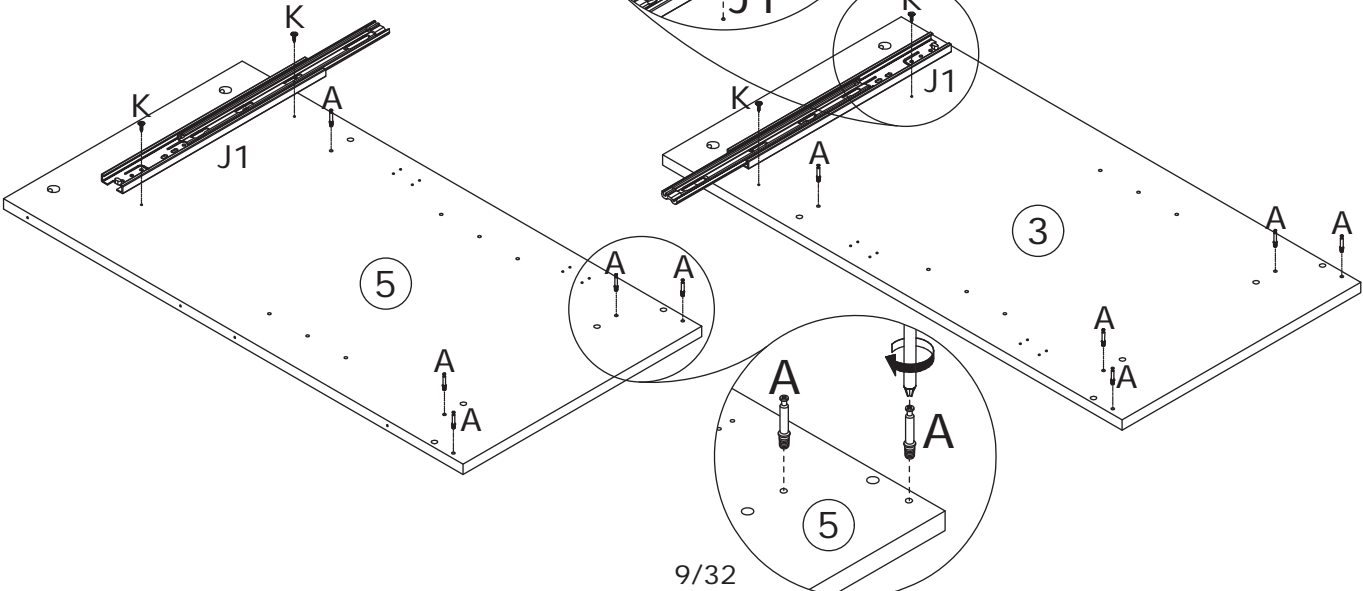
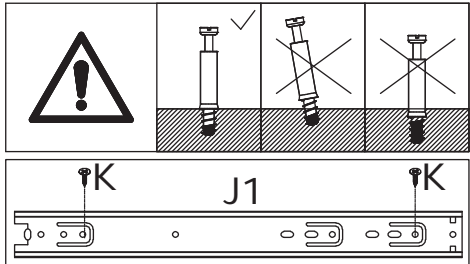
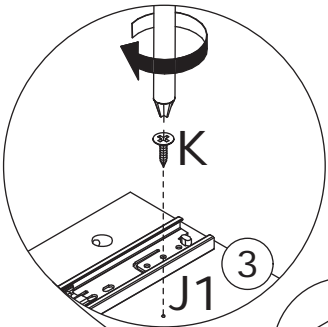
Fix panel 7 to panel 4 with screw(D).



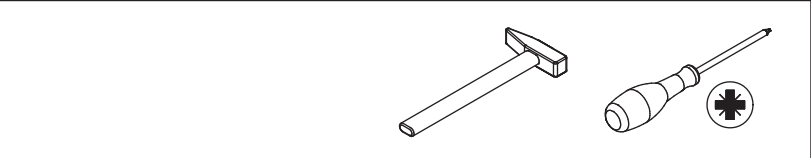
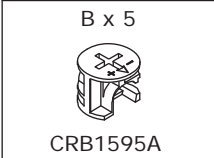
8



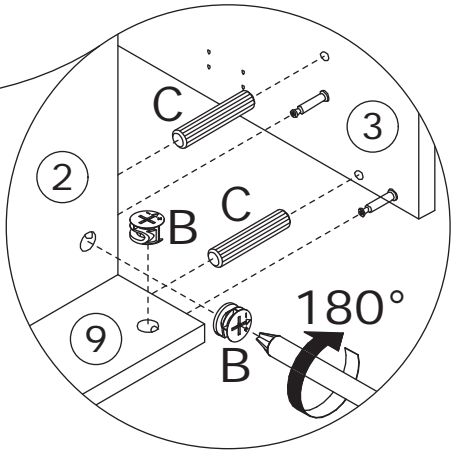
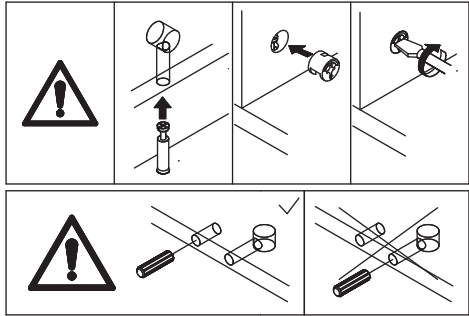
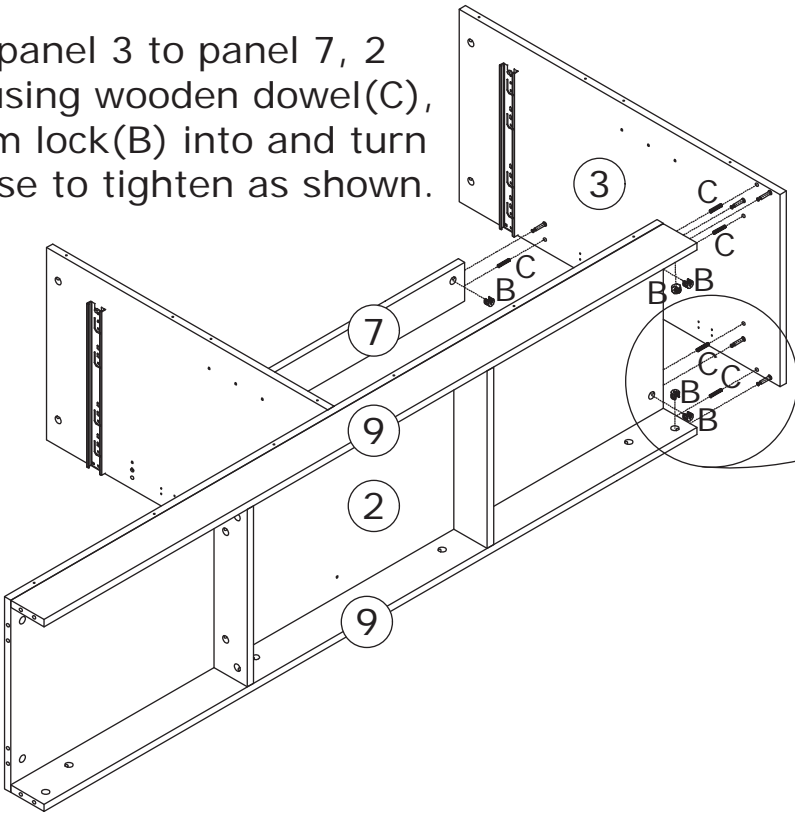
Fix rail(J1) to panel 3 and 5 with screw(K) as shown. Screw eccentric rod(A) into panel 3 and 5 as shown.



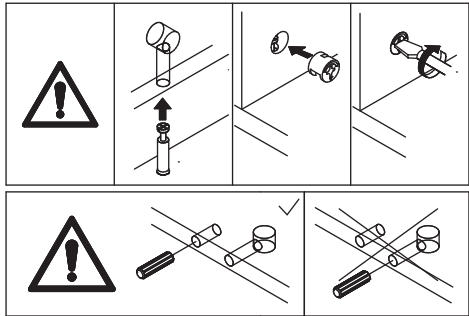
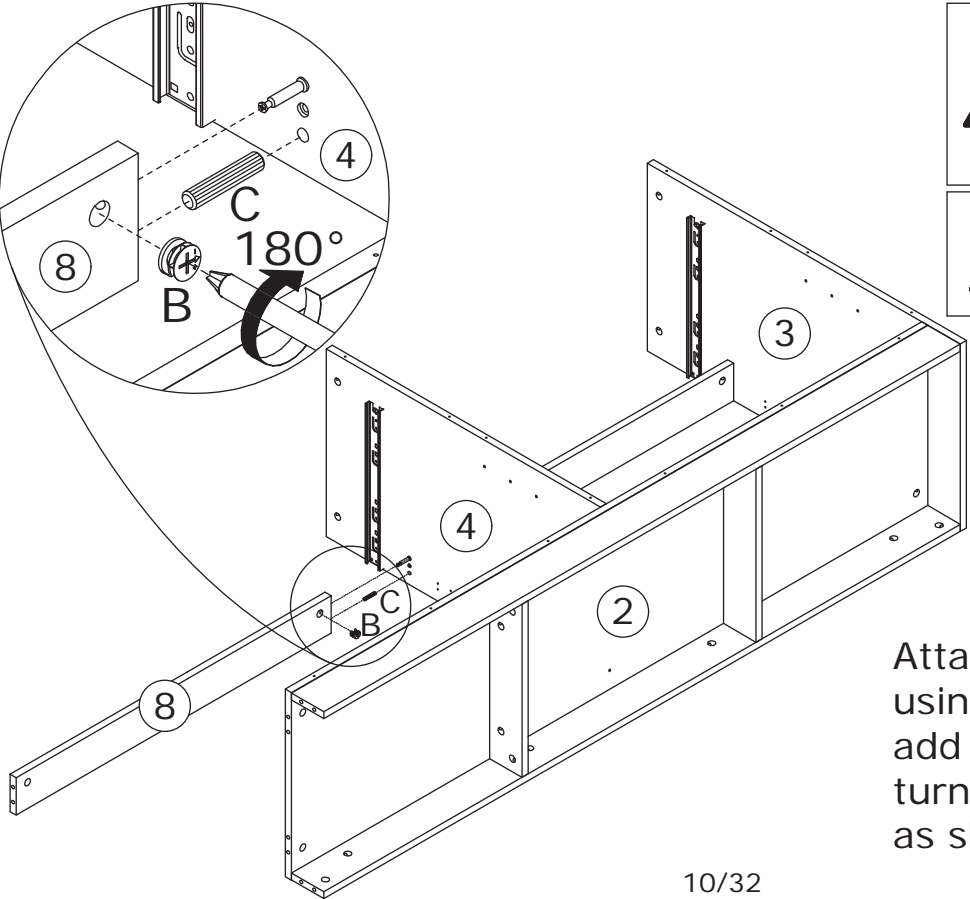
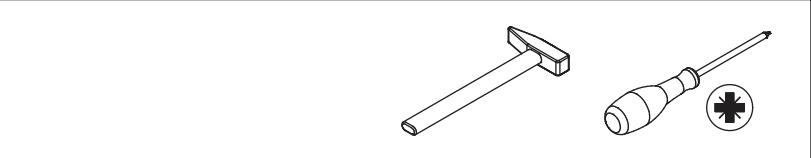
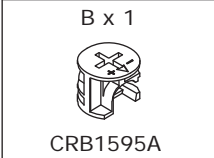
9



Attach panel 3 to panel 7, 2 and 9 using wooden dowel(C), add cam lock(B) into and turn clockwise to tighten as shown.

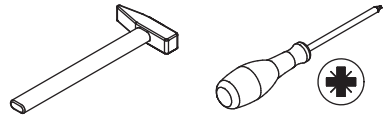
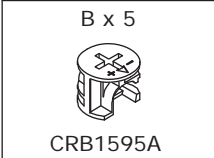


10

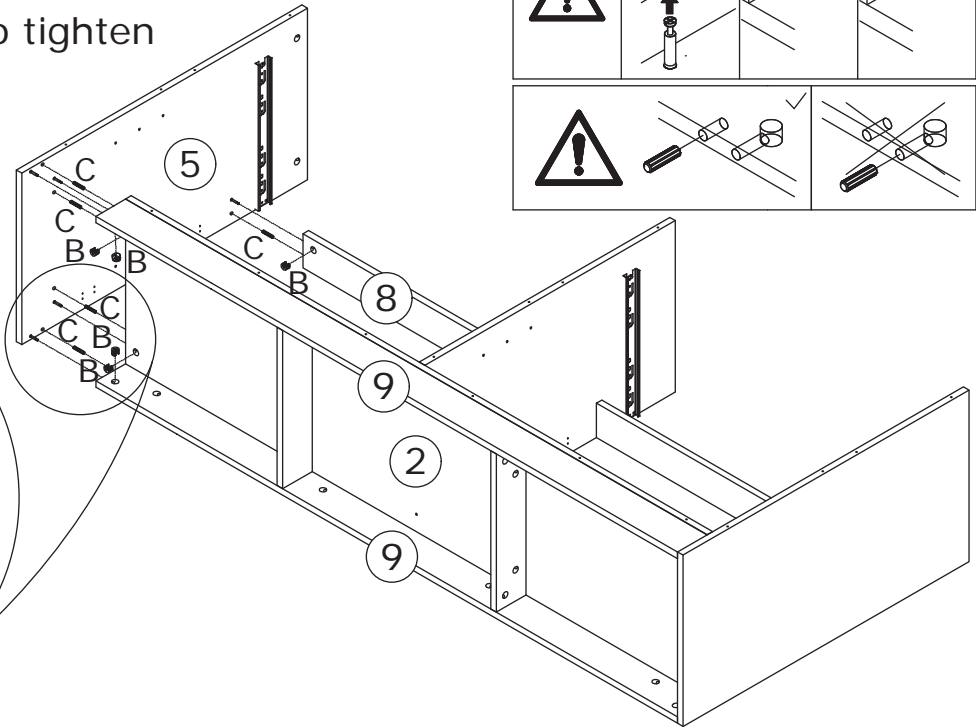
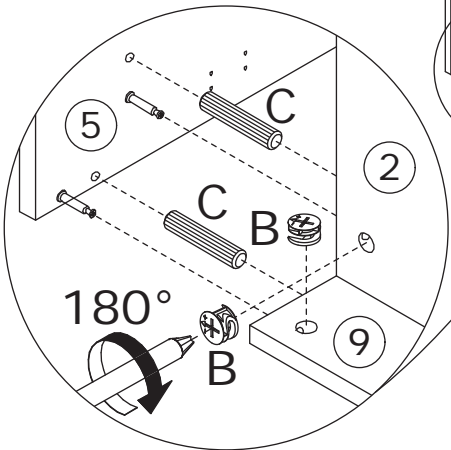
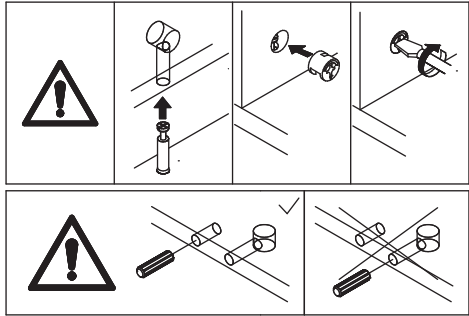


Attach panel 8 to panel 4 using wooden dowel(C), add cam lock(B) into and turn clockwise to tighten as shown.

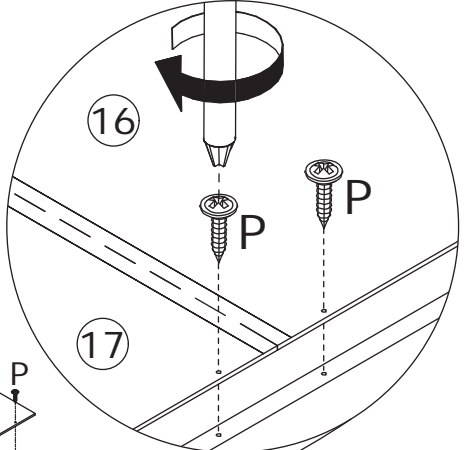
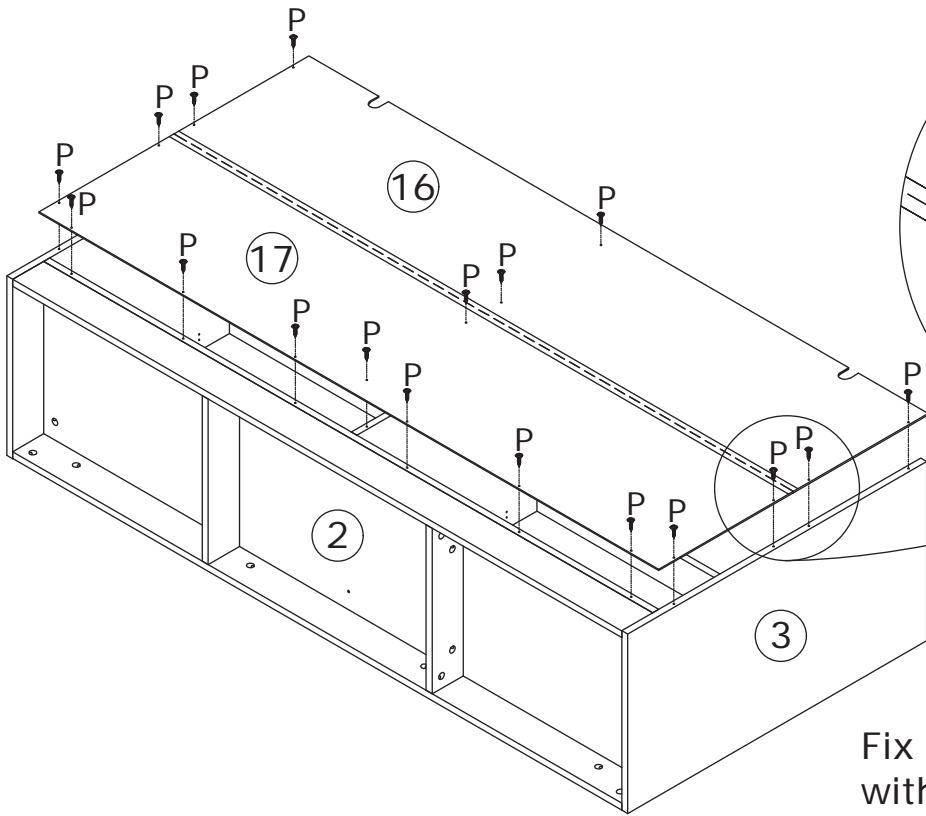
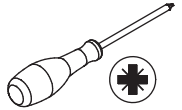
11



Attach panel 5 to panel 8, 2 and 9 using wooden dowel(C), add cam lock(B) into and turn clockwise to tighten as shown.

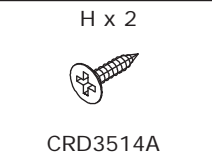


12

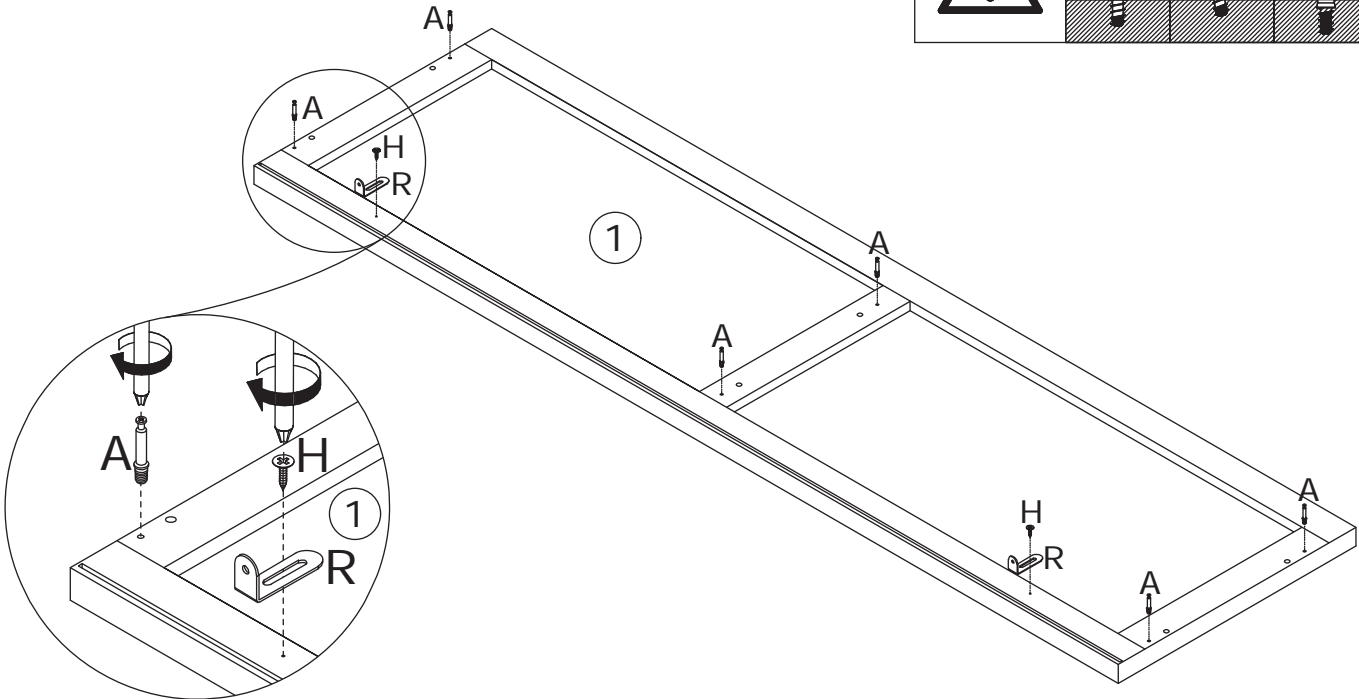
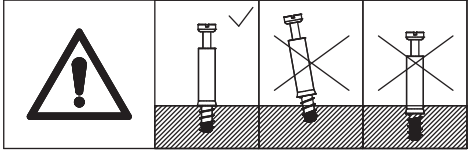


Fix back panel 16 and 17 with screw(P) as shown.

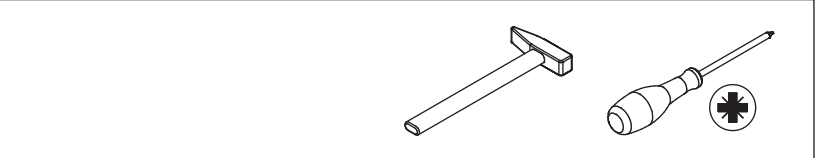
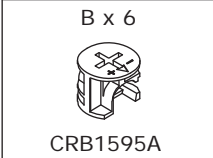
13



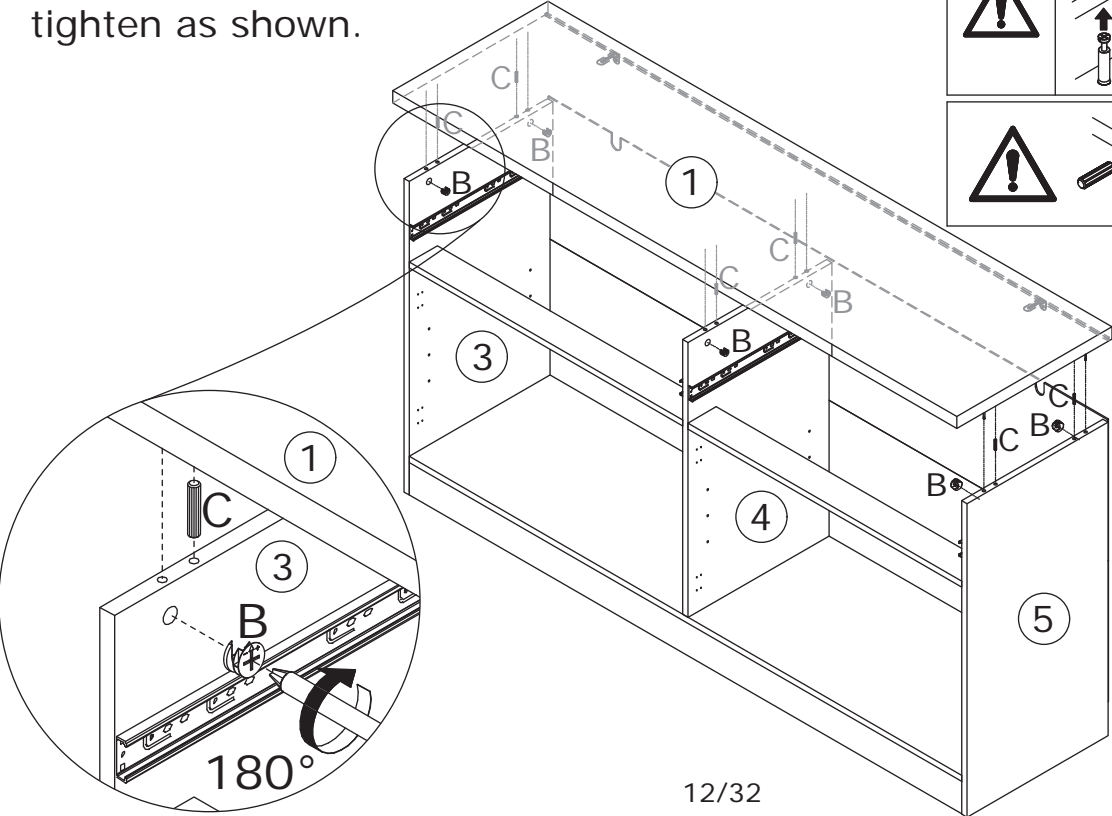
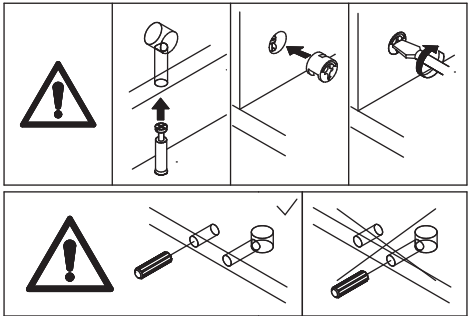
Screw eccentric rod(A) into panel 1, fix part(R) with screw(H) as shown.



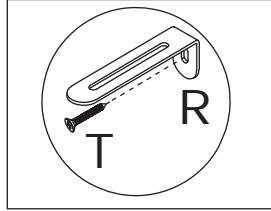
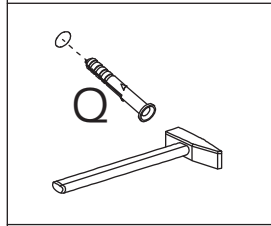
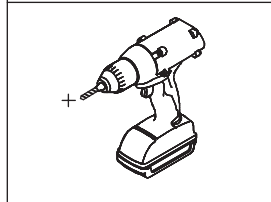
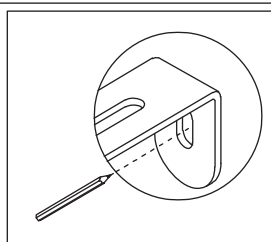
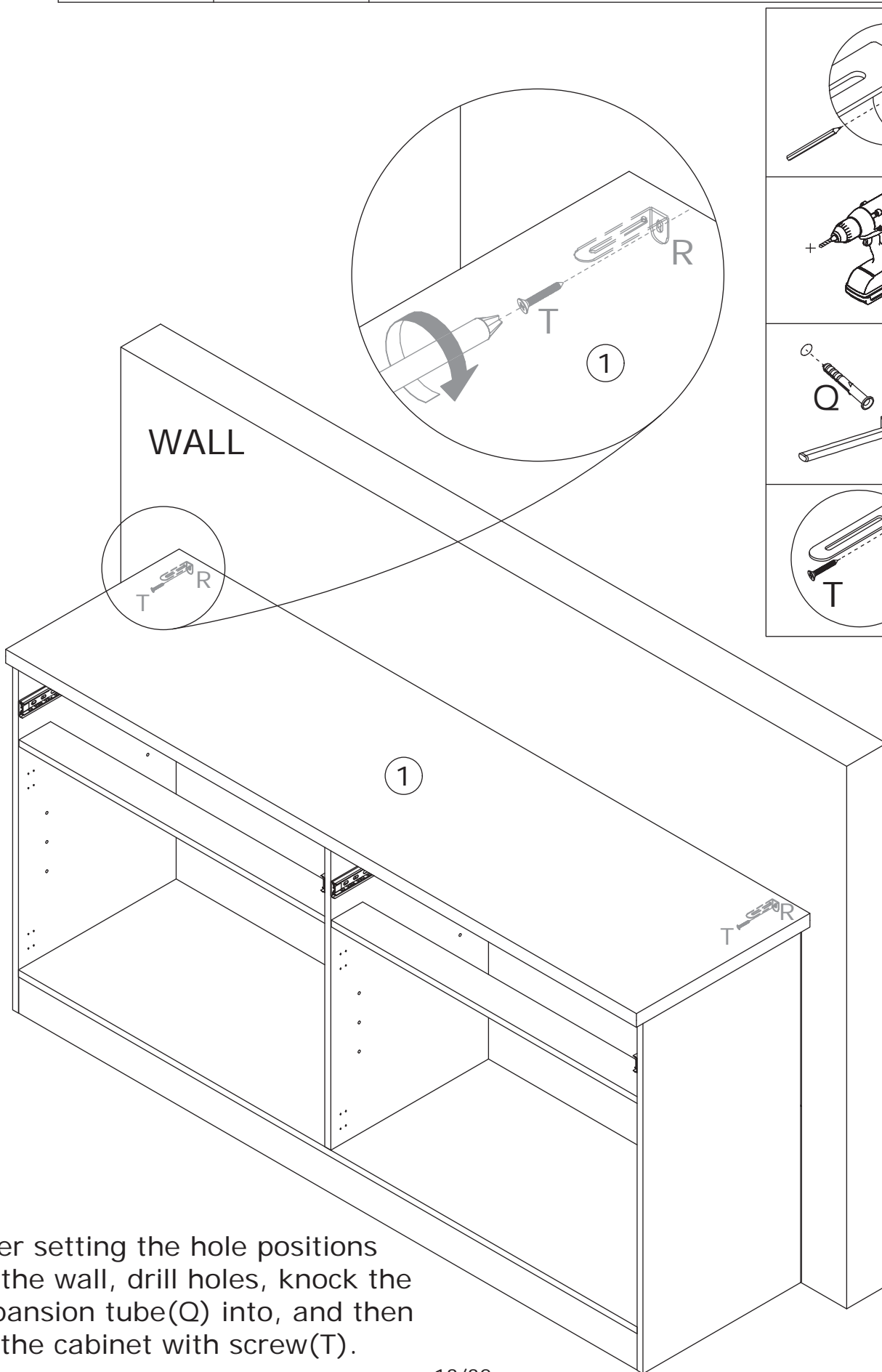
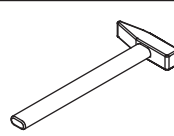
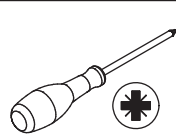
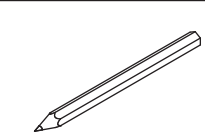
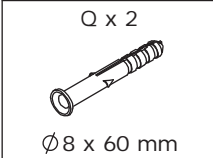
14



Attach panel 1 to top using wooden dowel(C), add cam lock(B) into and turn clockwise to tighten as shown.

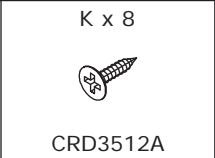


15

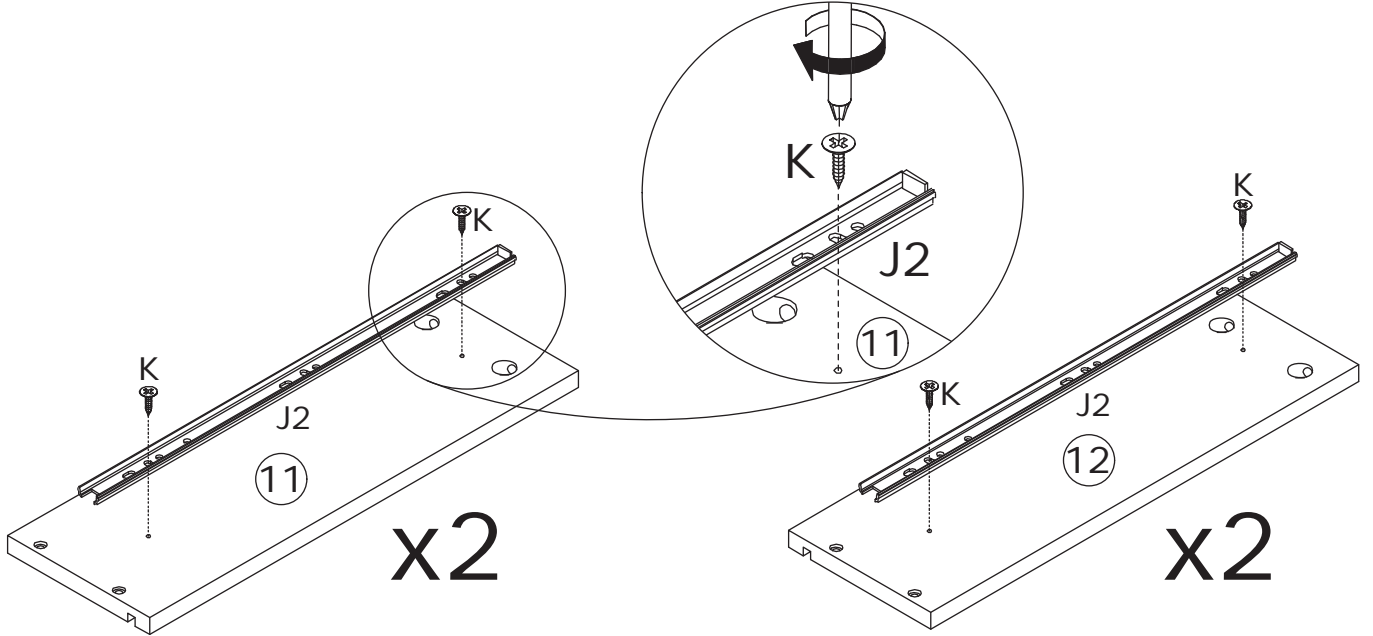
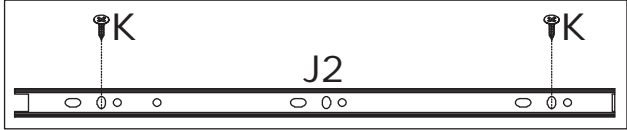


After setting the hole positions on the wall, drill holes, knock the expansion tube(Q) into, and then fix the cabinet with screw(T).

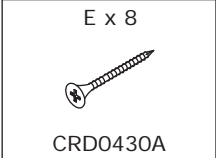
16



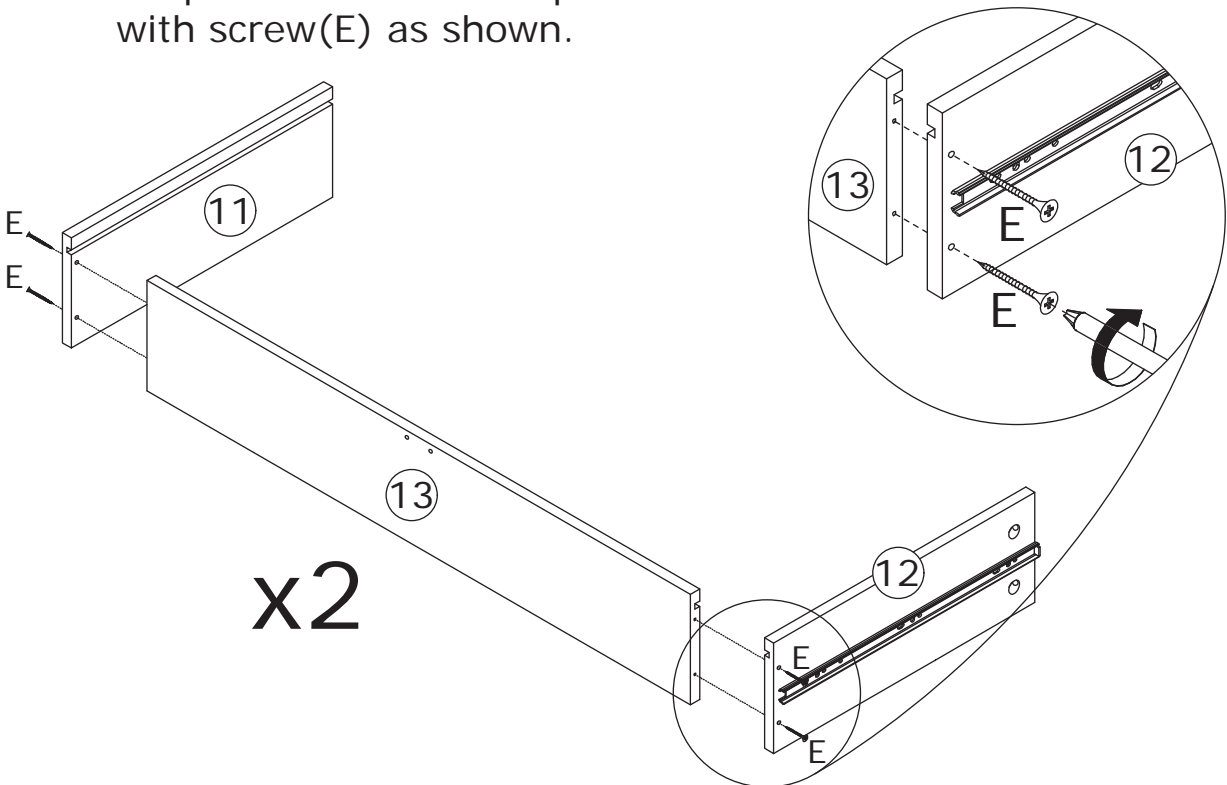
Fix runner(J2) to panel 11 and 12 with screw(K) as shown.



17



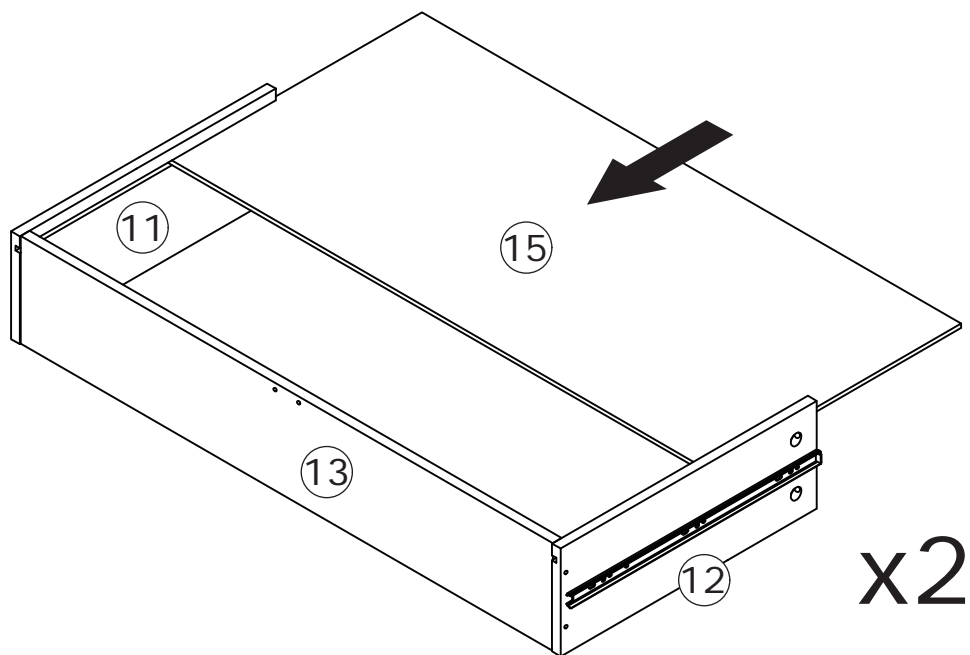
Fix panel 11 and 12 to panel 13 with screw(E) as shown.



18



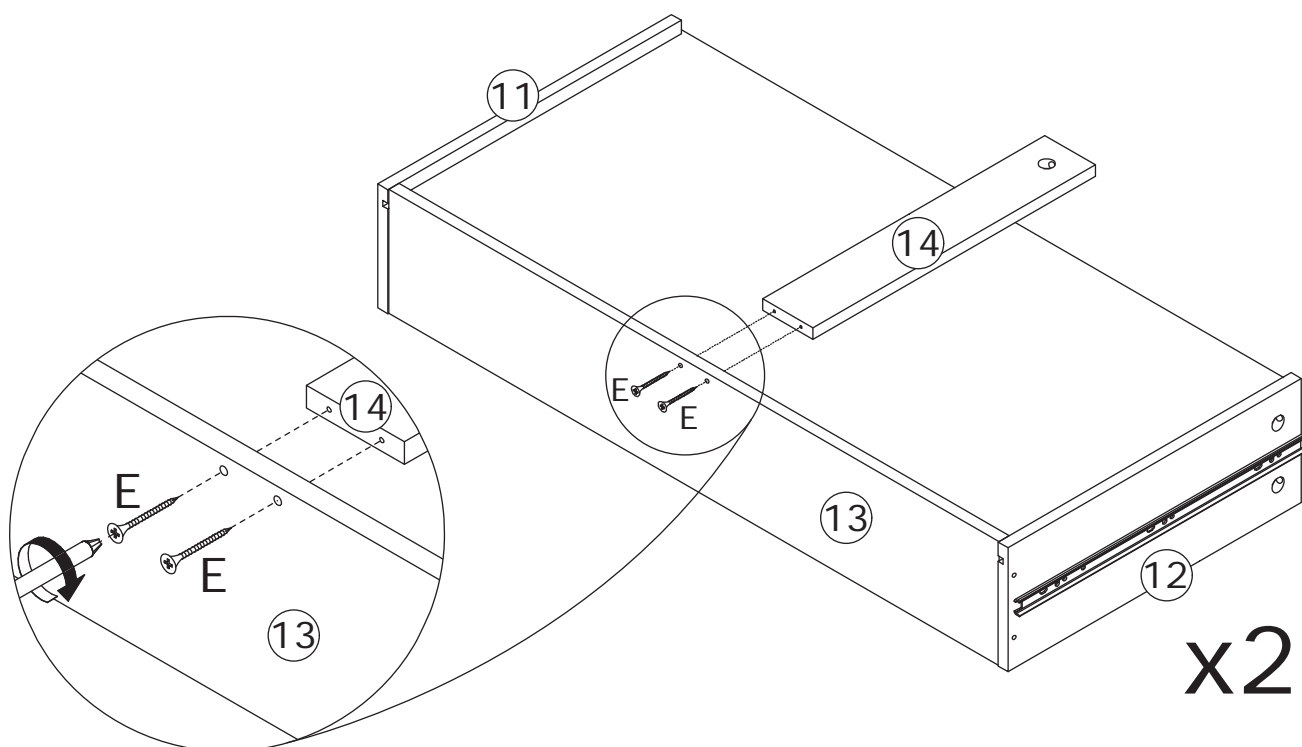
Insert bottom panel 15 along available grooves as shown.



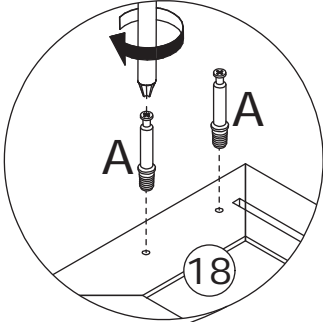
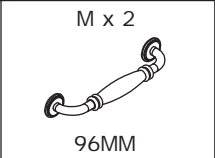
19



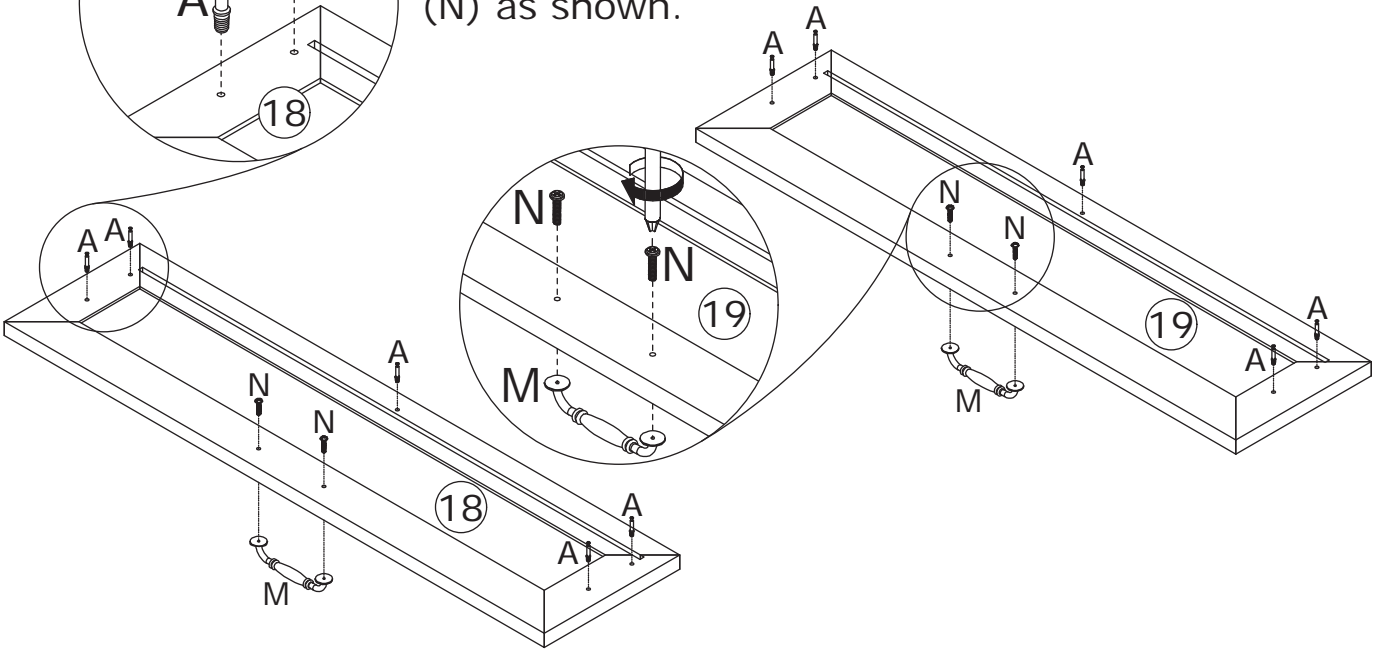
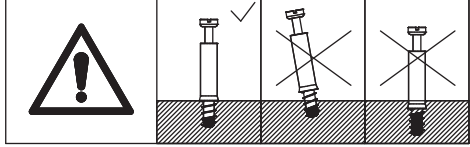
Fix panel 14 to panel 13 with screw(E) as shown.



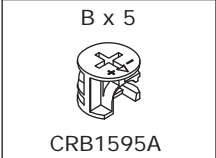
20



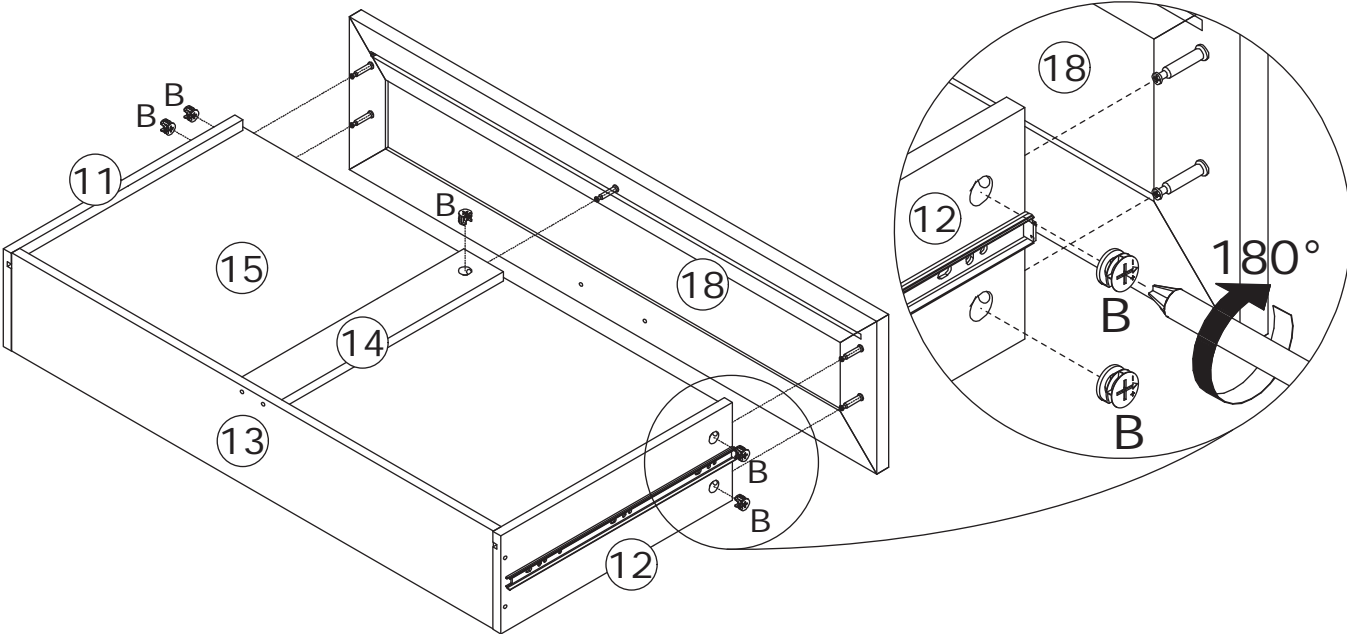
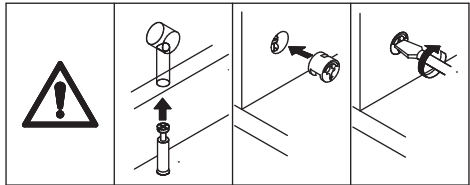
Screw eccentric rod(A) into panel 18 and 19, fix handle(M) with screw (N) as shown.



21



Attach panel 18 to the component, add cam lock(B) into and turn clockwise to tighten as shown.

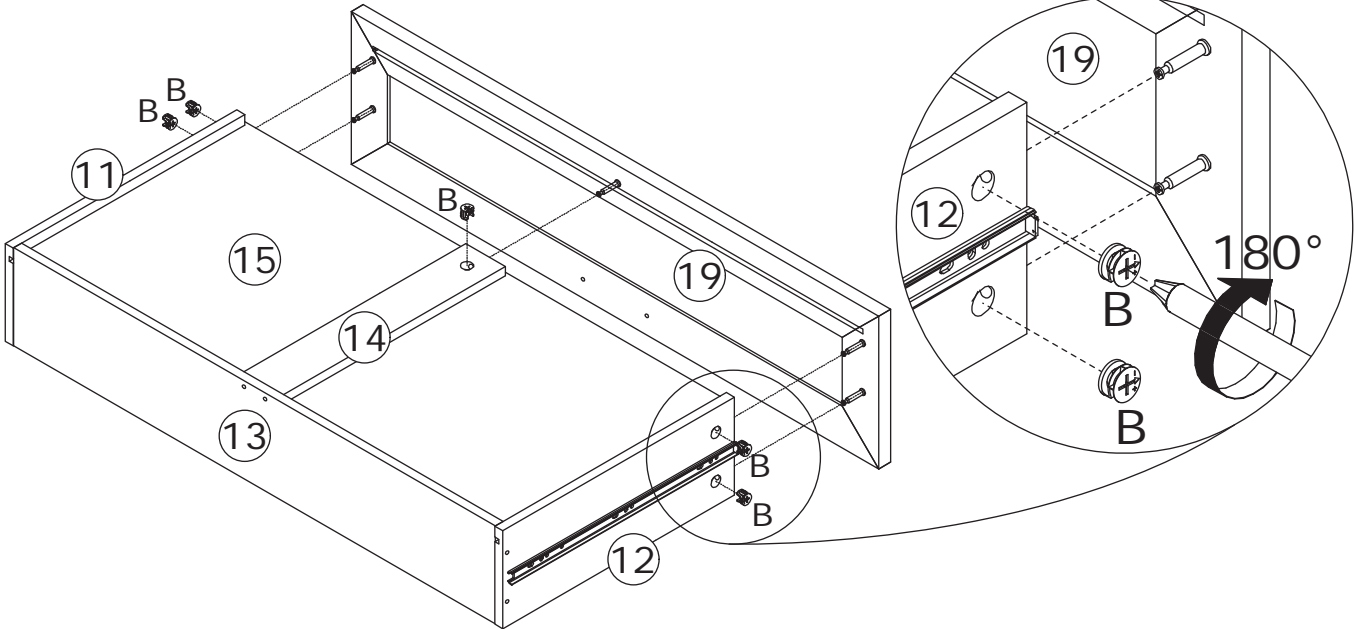
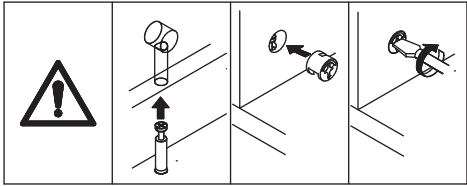


22

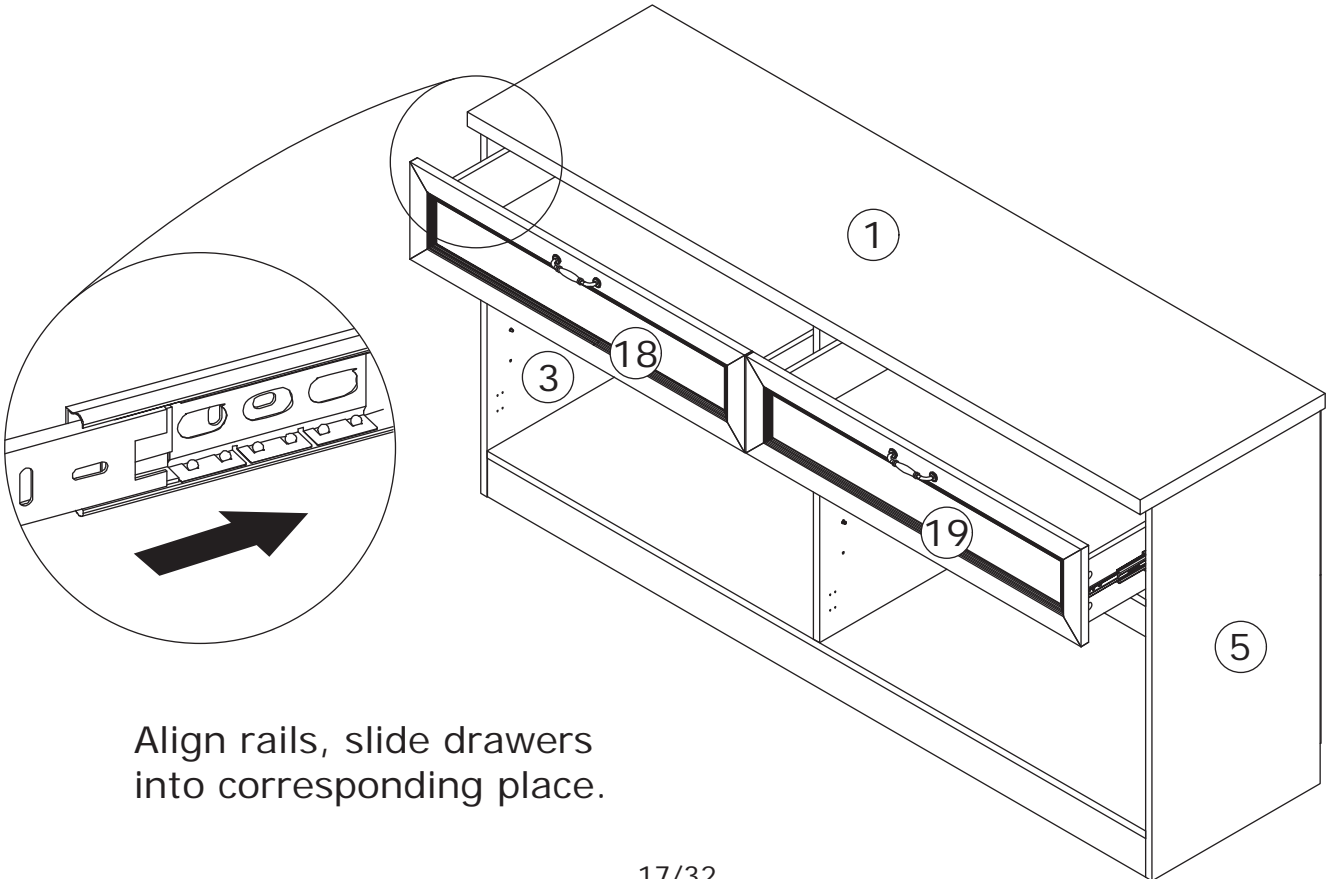
B x 5
CRB1595A



Attach panel 19 to the component, add cam lock(B) into and turn clockwise to tighten as shown.



23

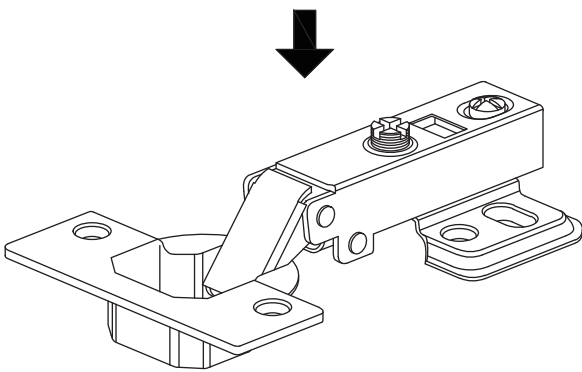


Align rails, slide drawers into corresponding place.



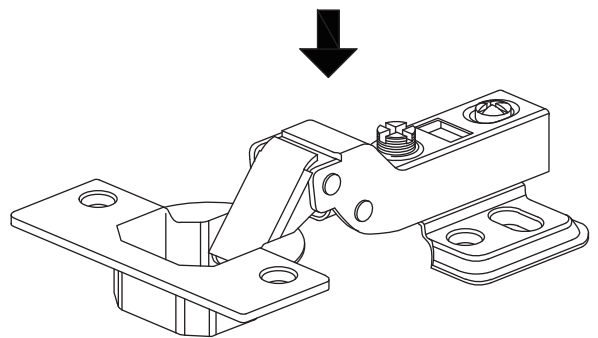
Pay attention to the difference between the middle parts of the two types of door hinges.

- The full overlay door hinges(F) are used on the outermost door plates
- And the curved door hinges(G) are used on the door panel in the middle of the cabinet.



F

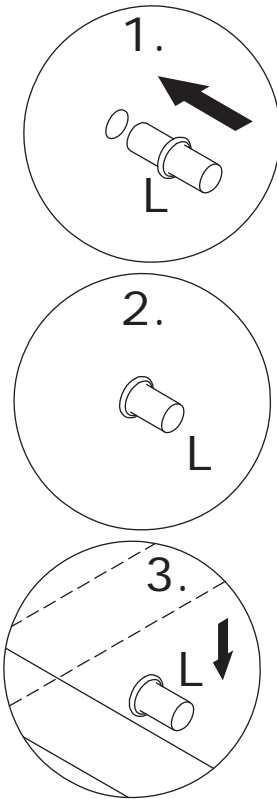
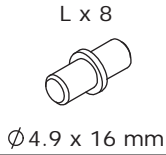
Full overlay hinge



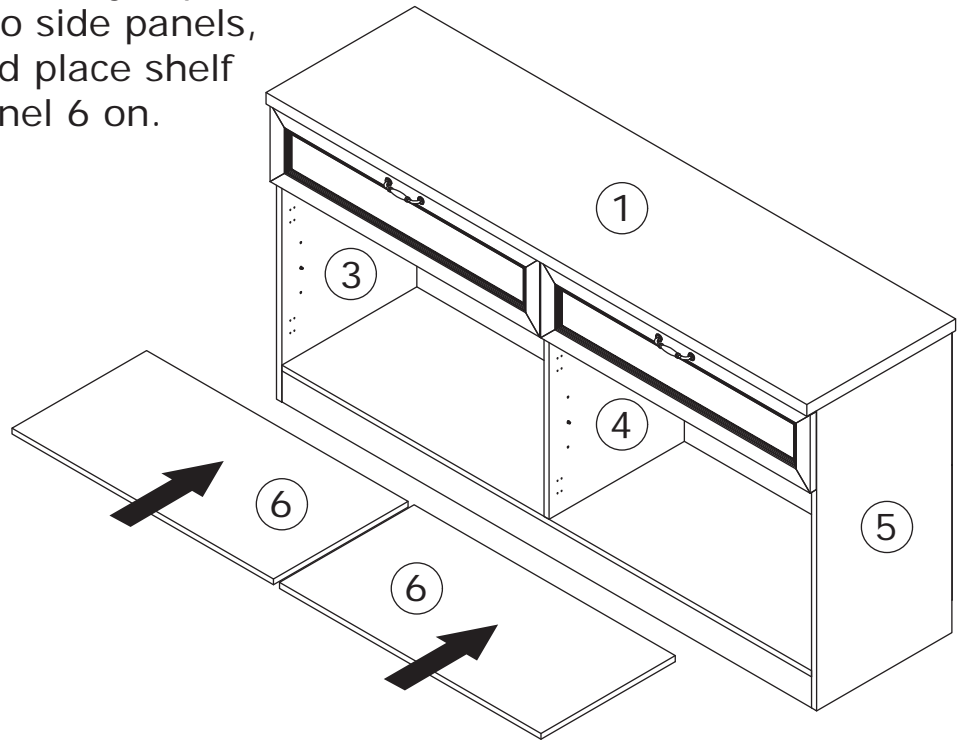
G

Half overlay hinge

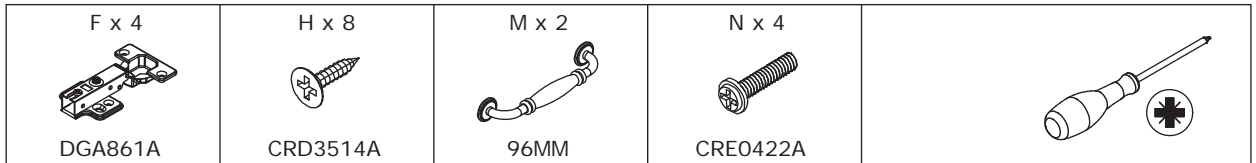
25



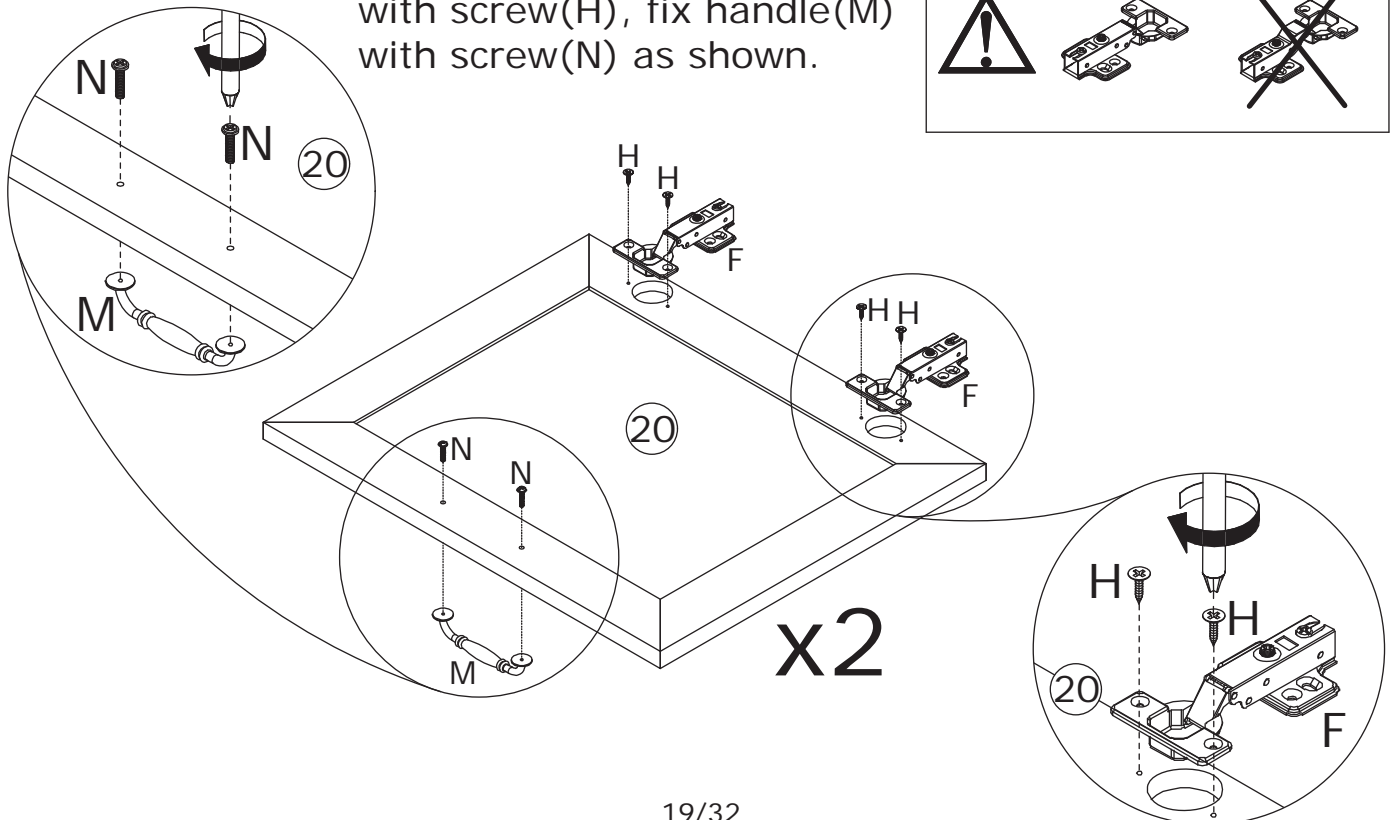
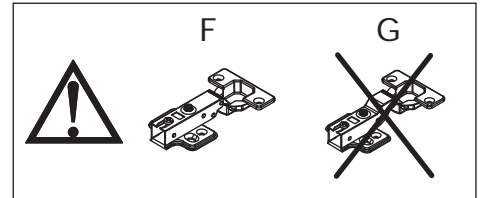
Insert layer pin(L) into side panels, and place shelf panel 6 on.



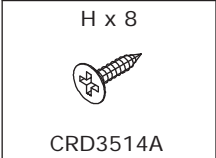
26



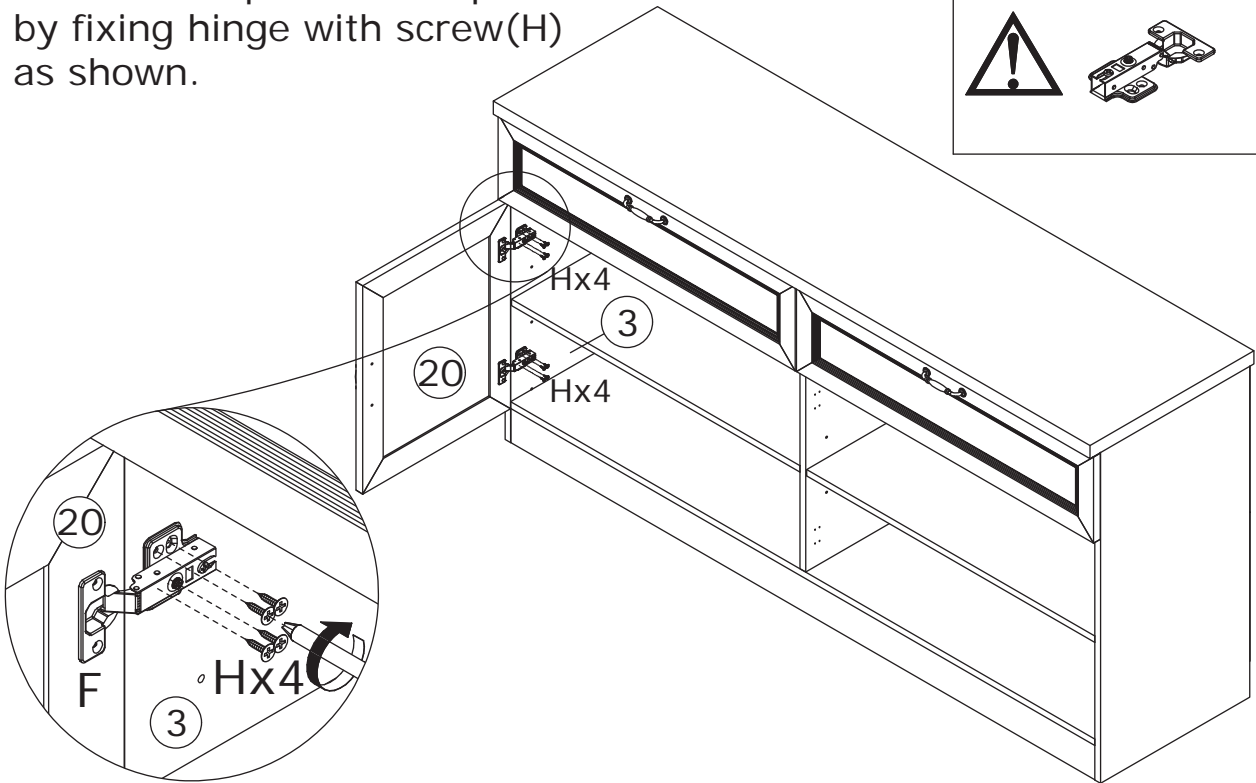
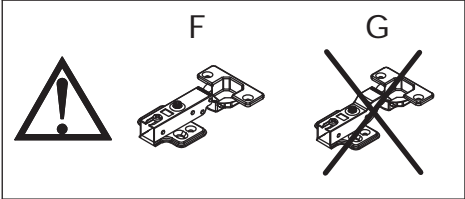
Fix hinge(F) to panel 20 with screw(H), fix handle(M) with screw(N) as shown.



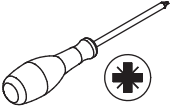
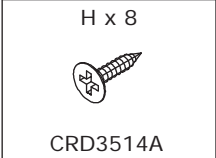
27



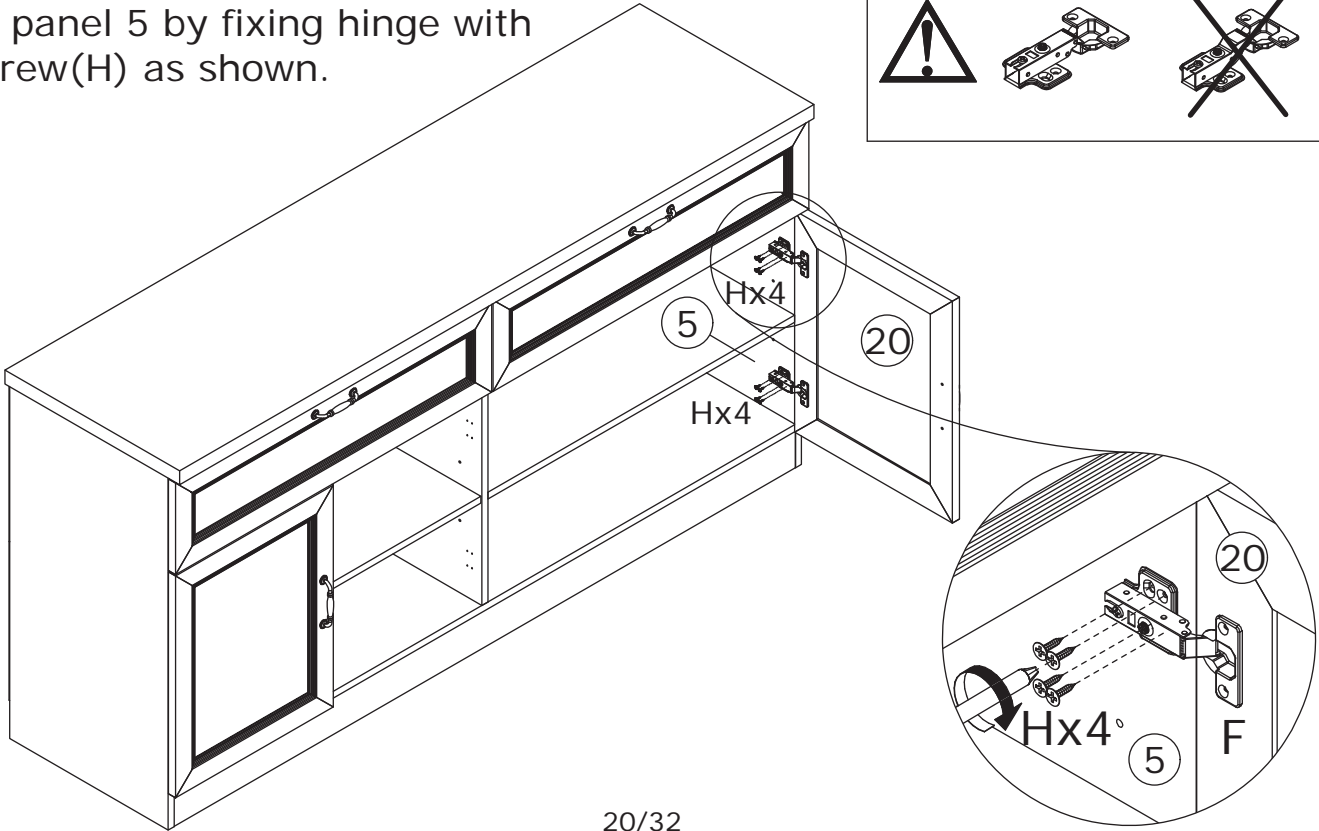
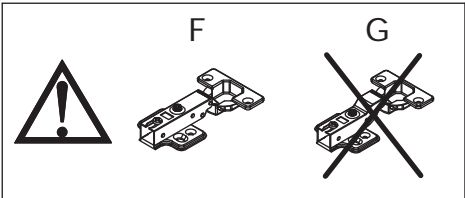
Attach door panel 20 to panel 3 by fixing hinge with screw(H) as shown.



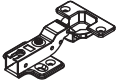
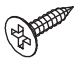
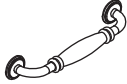

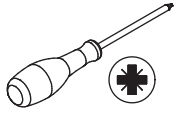
28



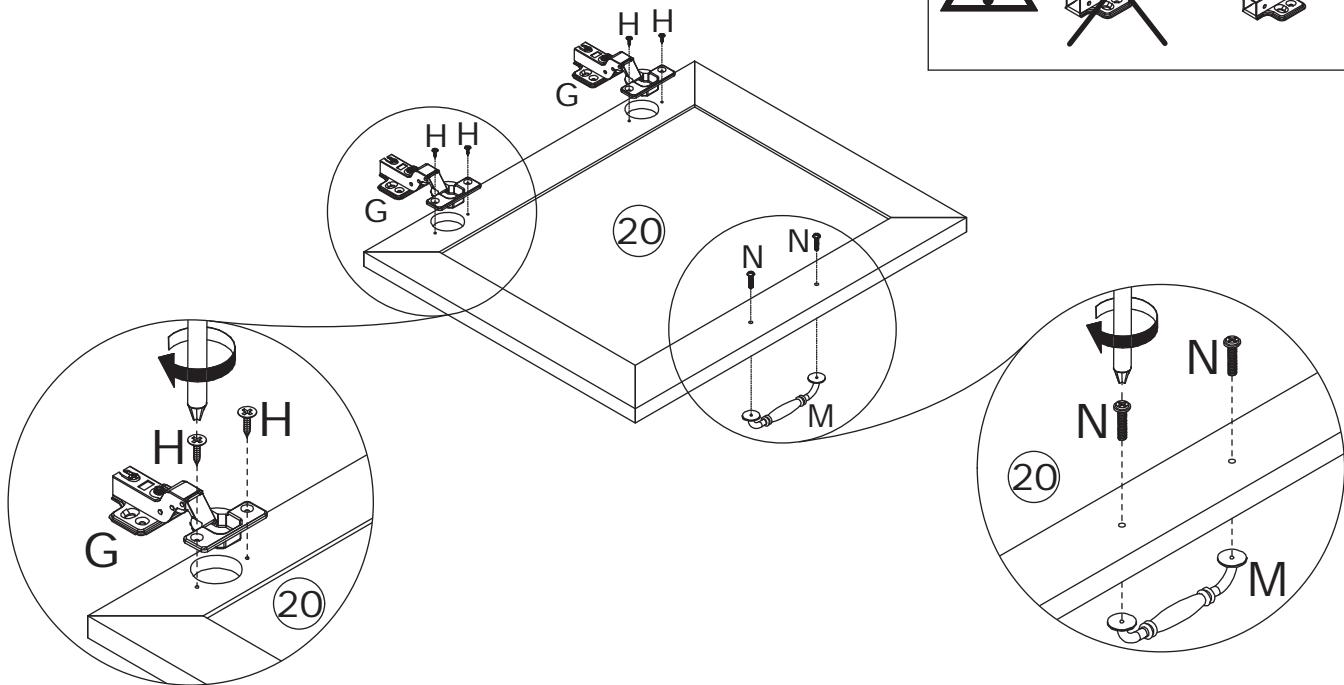
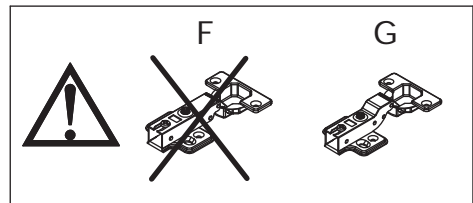
Attach another door panel 20 to panel 5 by fixing hinge with screw(H) as shown.



28

<p>G x 2</p>  <p>DGA861B</p>	<p>H x 4</p>  <p>CRD3514A</p>	<p>M x 1</p>  <p>96MM</p>	<p>N x 2</p>  <p>CRE0422A</p>	
---	--	--	---	---

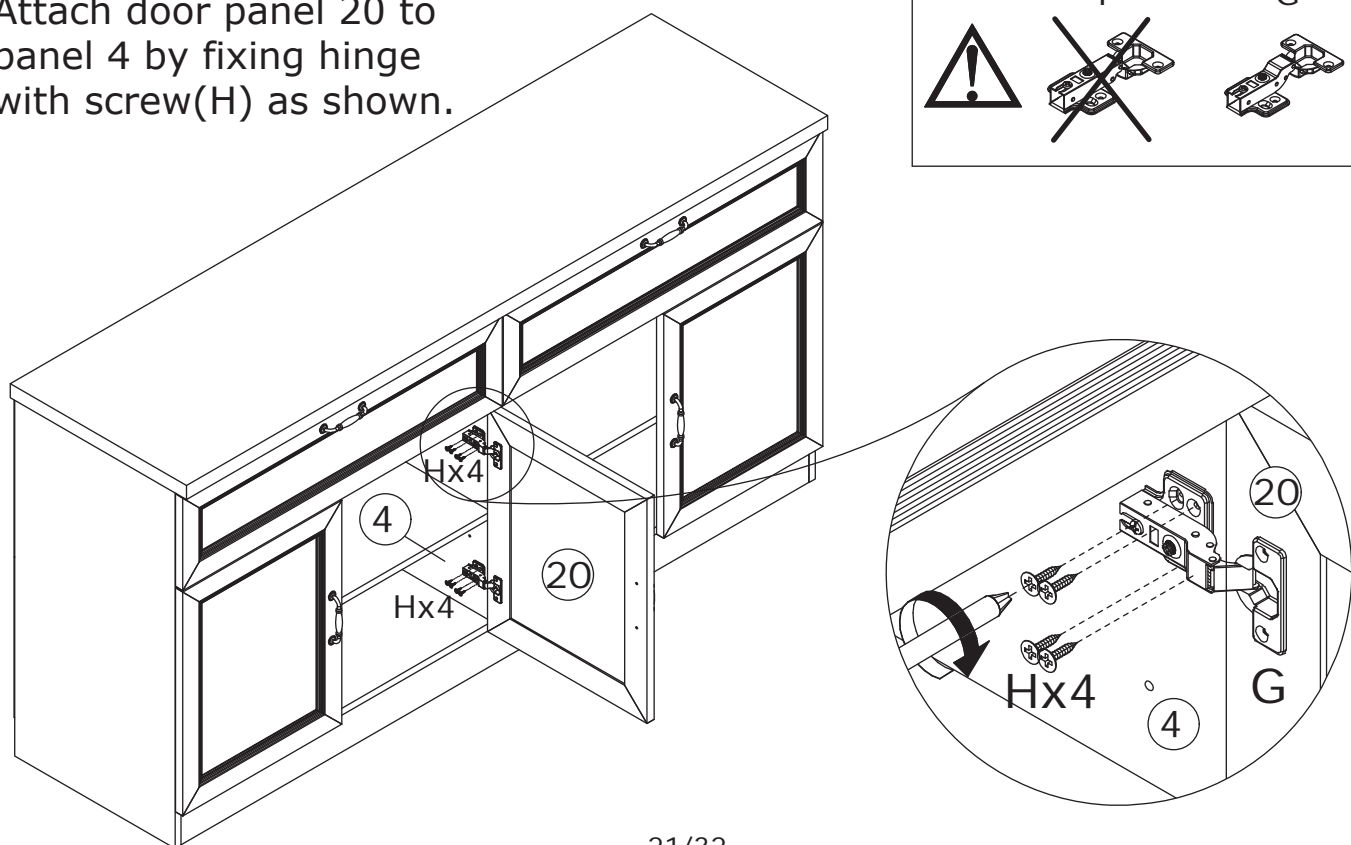
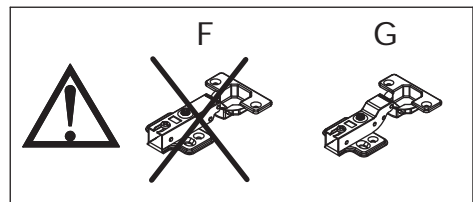
Fix hinge(G) to panel 20 with screw(H),
fix handle(M) with screw(N) as shown.



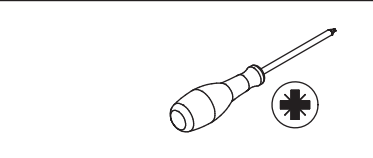
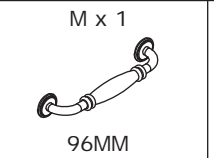
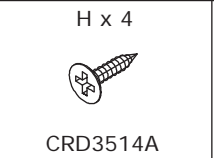
29

<p>H x 8</p>  <p>CRD3514A</p>	
--	---

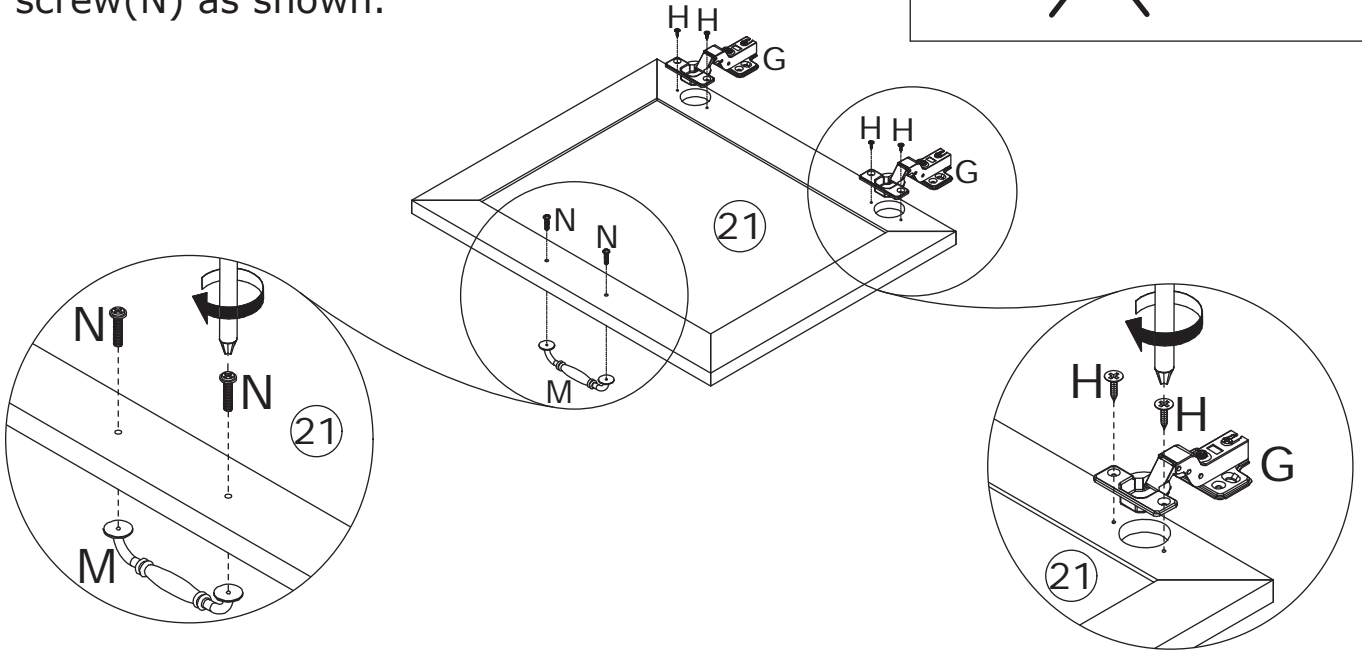
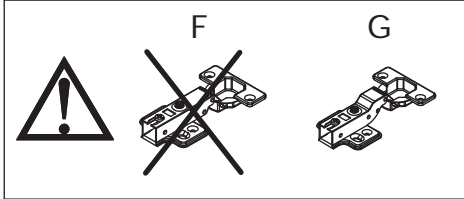
Attach door panel 20 to
panel 4 by fixing hinge
with screw(H) as shown.



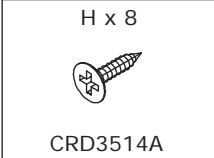
30



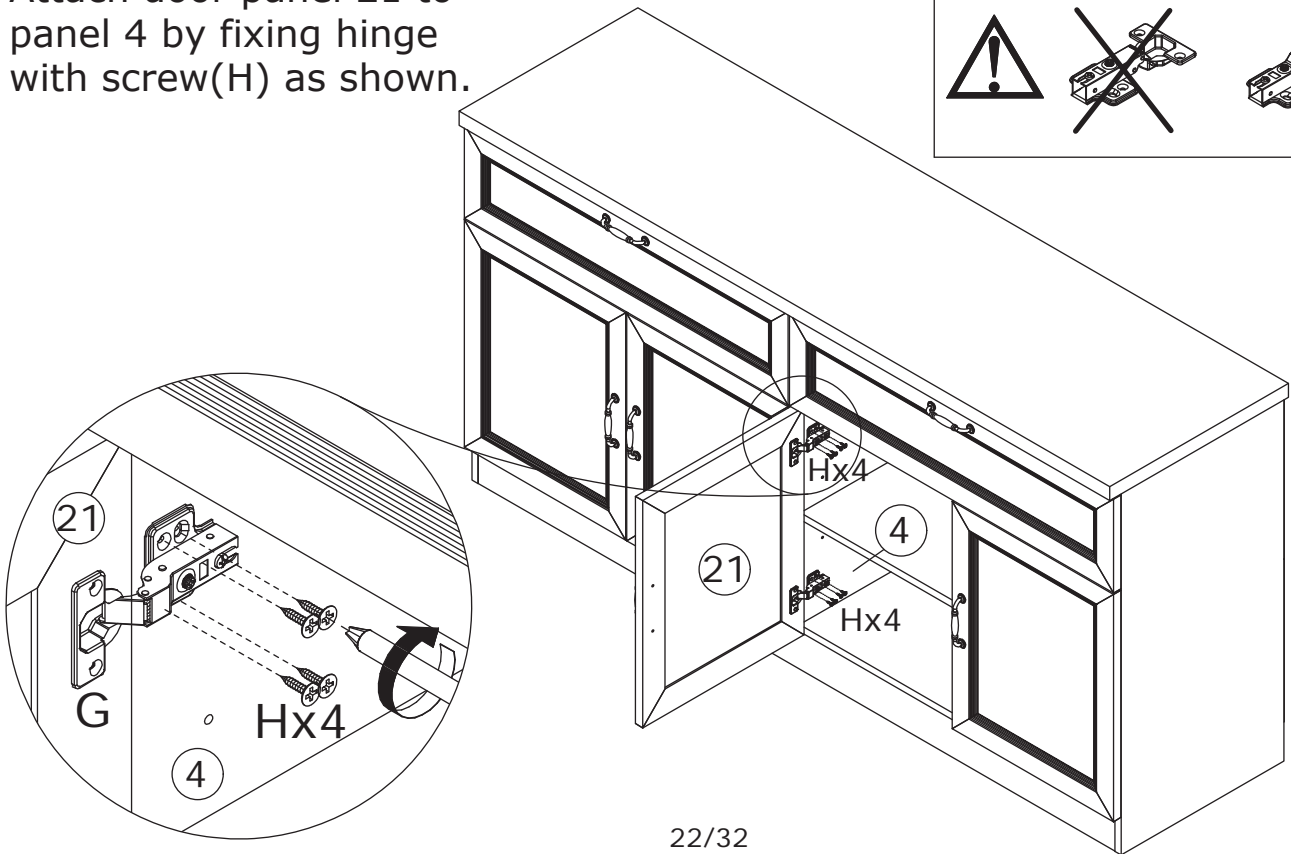
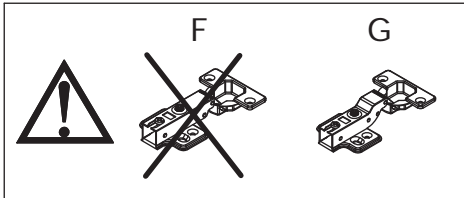
Fix hinge(G) to panel 21 with screw(H), fix handle(M) with screw(N) as shown.

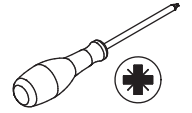


31



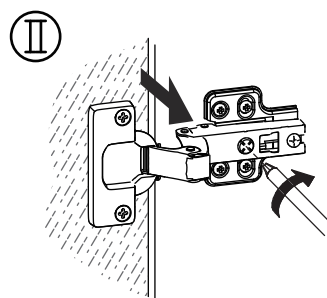
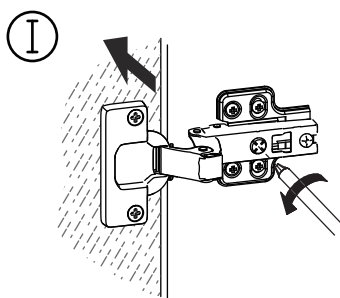
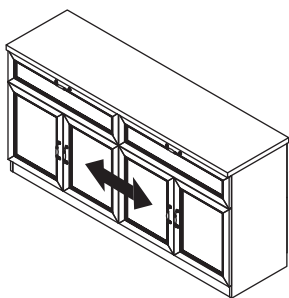
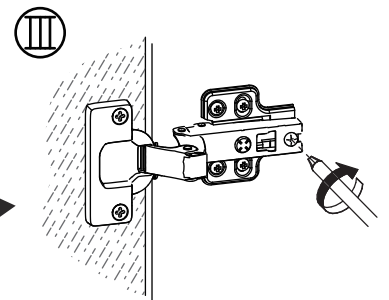
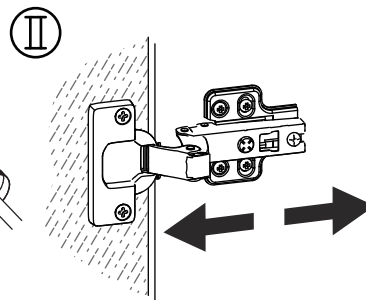
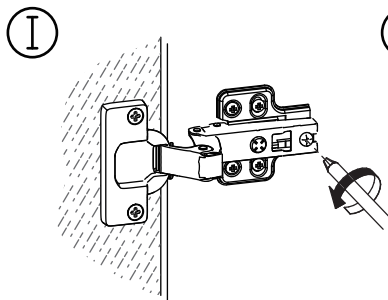
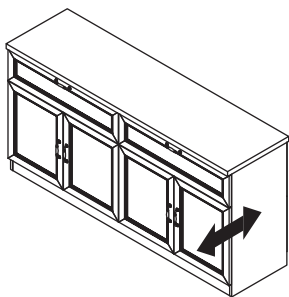
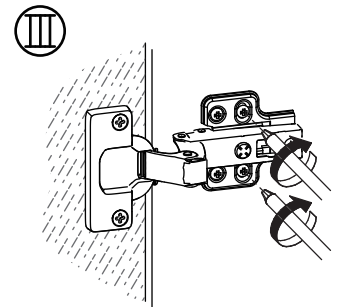
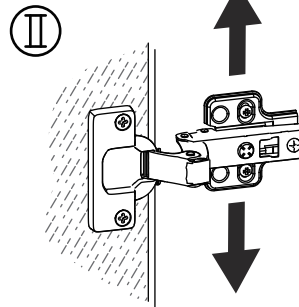
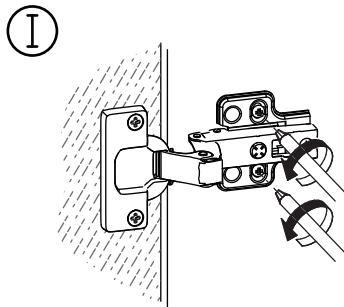
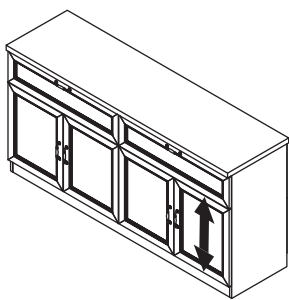
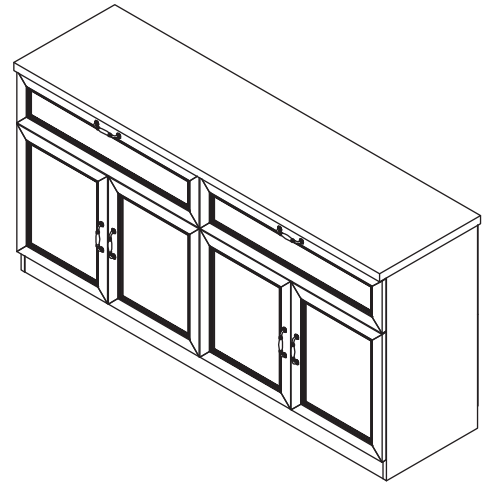
Attach door panel 21 to panel 4 by fixing hinge with screw(H) as shown.



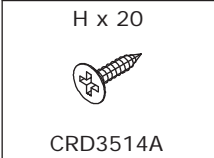


If doors are still not aligned if the hinges are properly correctly, please watch the video.

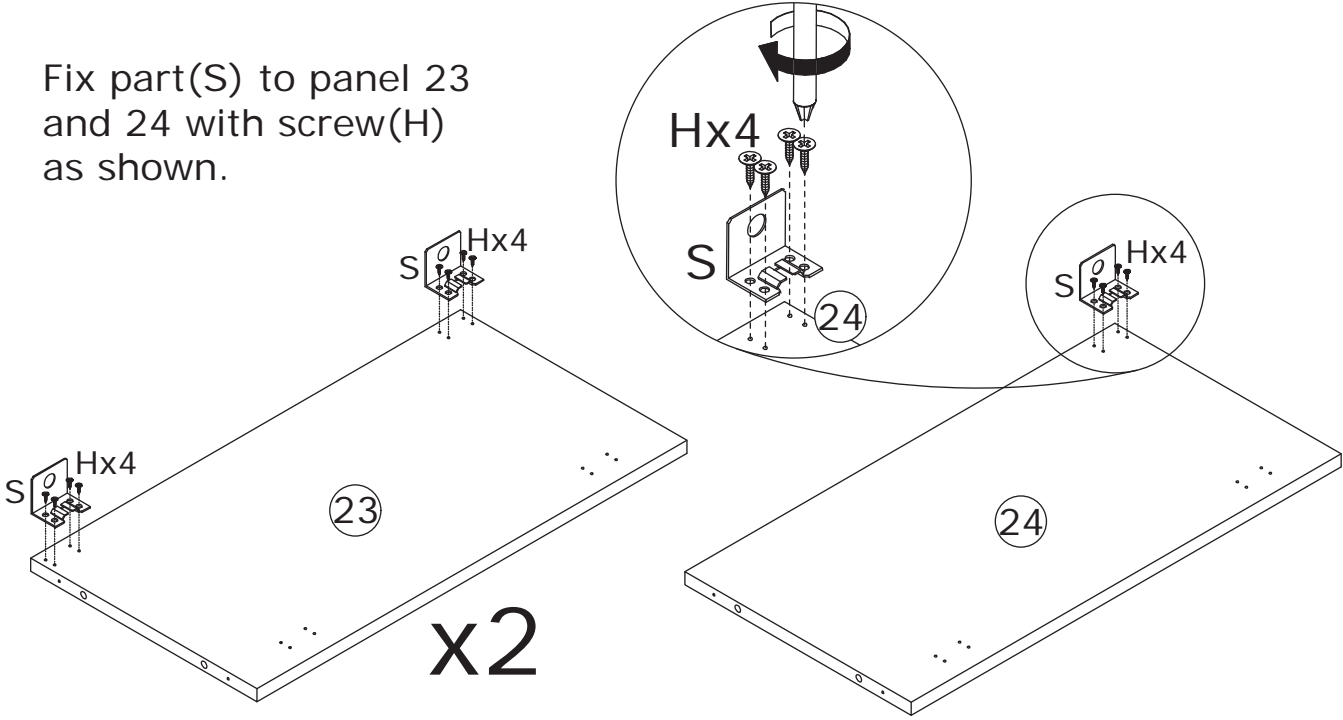
<https://youtu.be/n0Lb36SoODM>



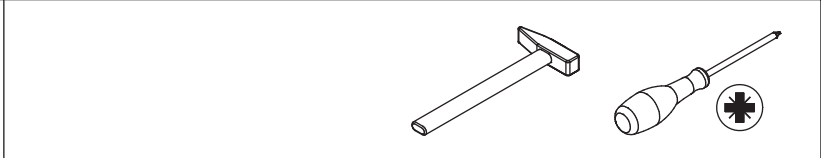
33



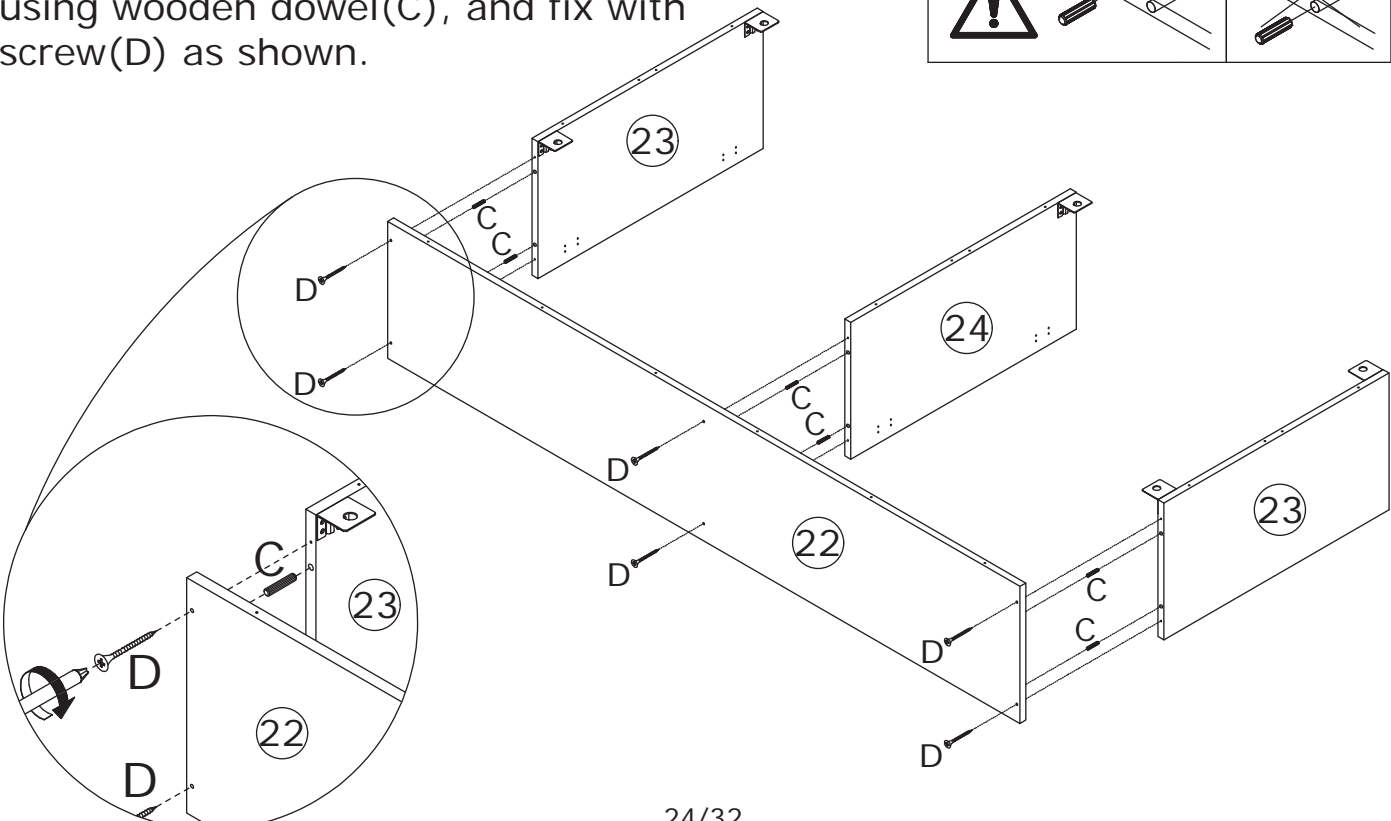
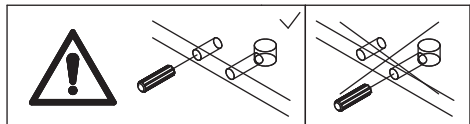
Fix part(S) to panel 23 and 24 with screw(H) as shown.



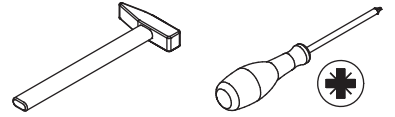
34



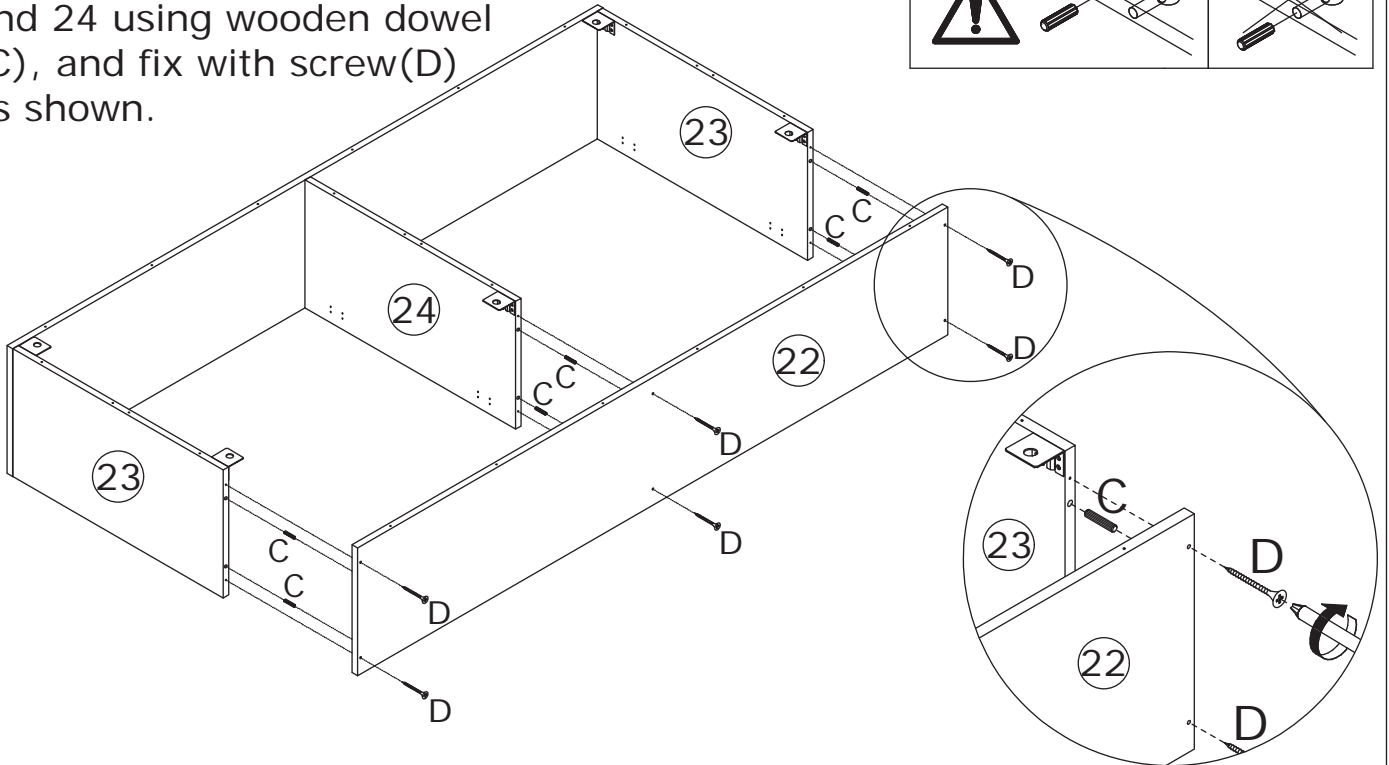
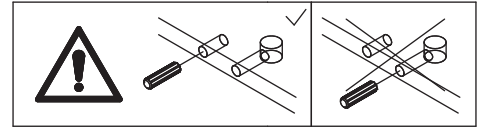
Attach panel 23 and 24 to panel 22 using wooden dowel(C), and fix with screw(D) as shown.



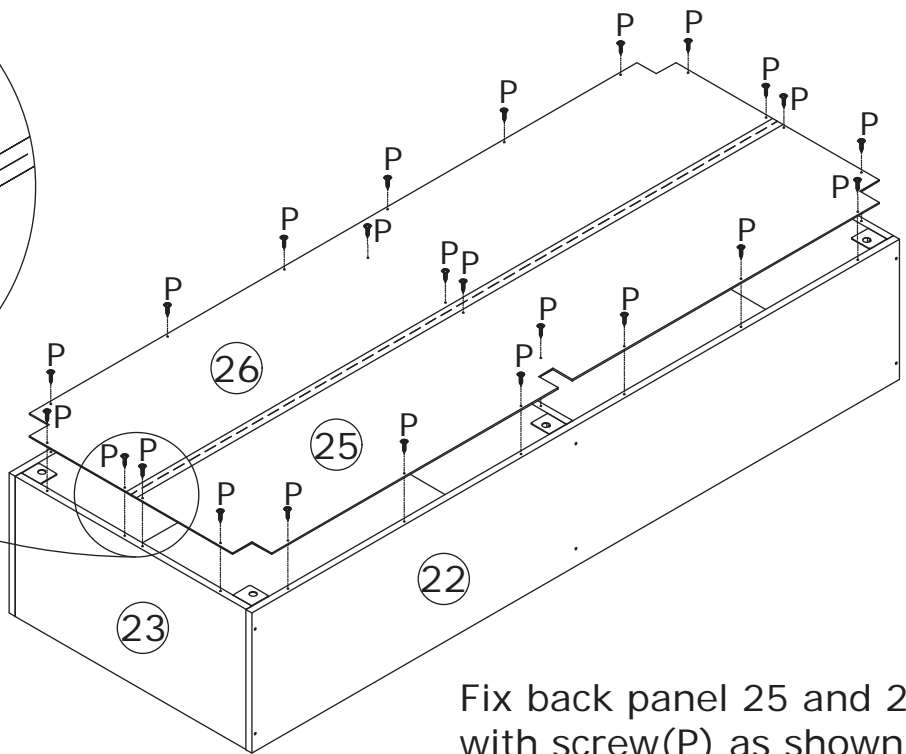
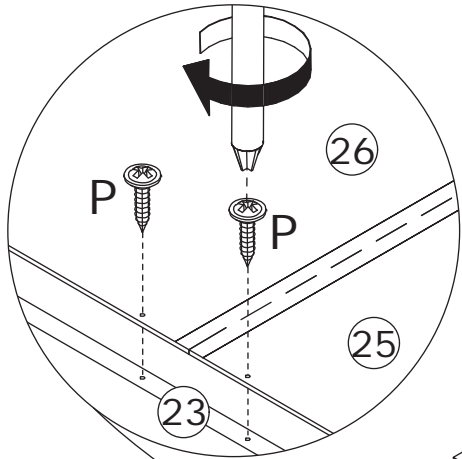
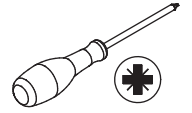
35



Attach panel 22 to panel 23 and 24 using wooden dowel (C), and fix with screw (D) as shown.



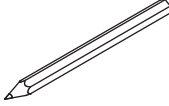
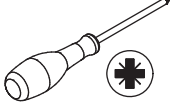
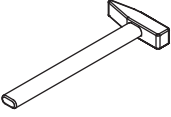




36

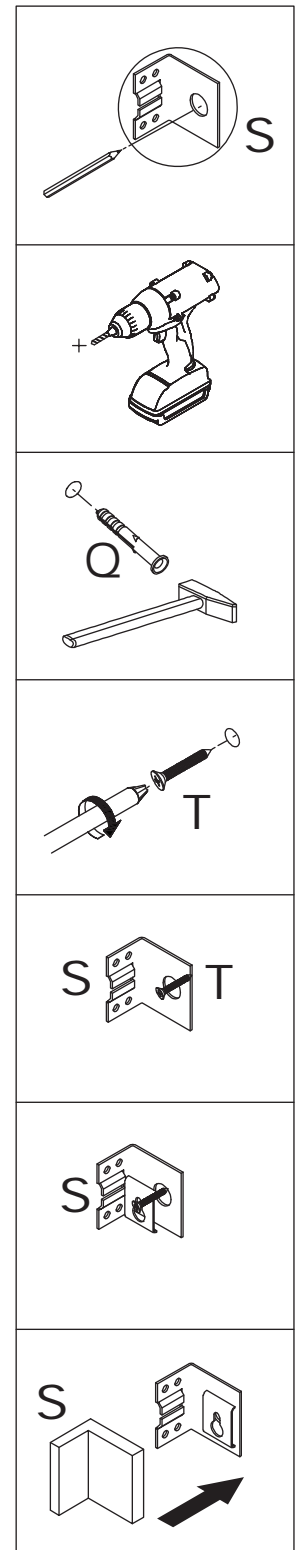
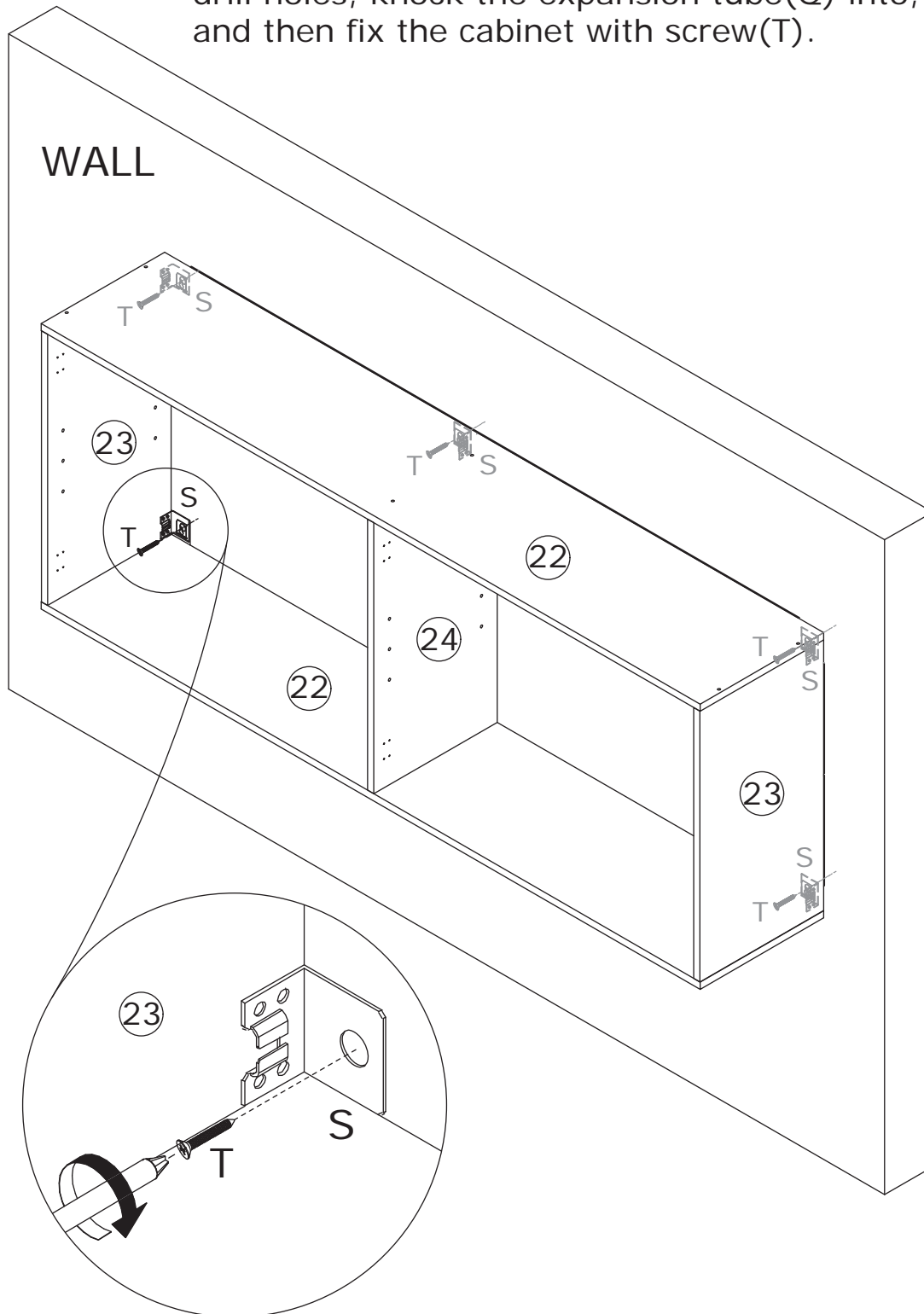


Fix back panel 25 and 26 with screw (P) as shown.

37

<p>Q x 5</p>  <p>∅8 x 60 mm</p>	<p>S x 5</p> 				
<p>T x 5</p>  <p>CRD0555A</p>					

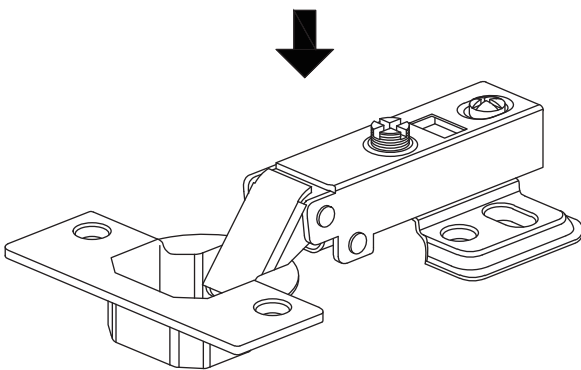
After setting the hole positions on the wall, drill holes, knock the expansion tube(Q) into, and then fix the cabinet with screw(T).



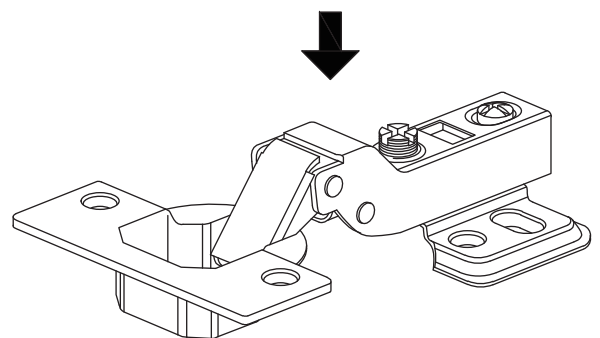


Pay attention to the difference between the middle parts of the two types of door hinges.

- The the full overlay door hinges(F) are used on the outermost door plates
- And curved door hinges(G) are used on the door panel in the middle of the cabinet.

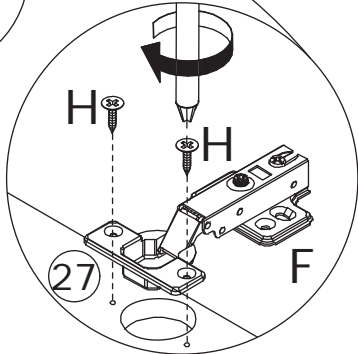
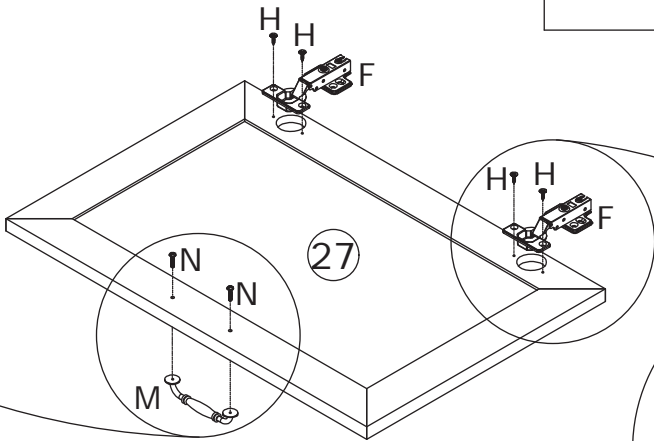
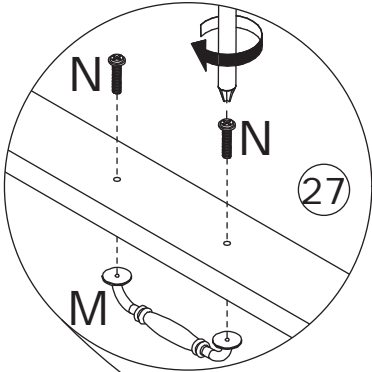
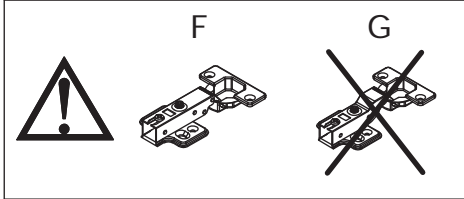
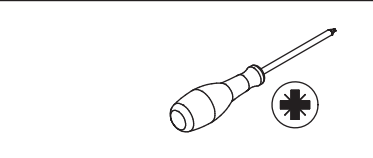
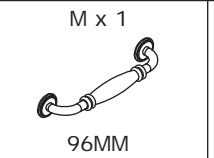
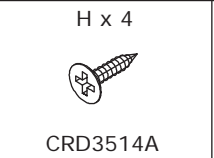
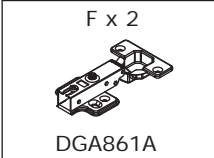
**F**

Full overlay hinge

**G**

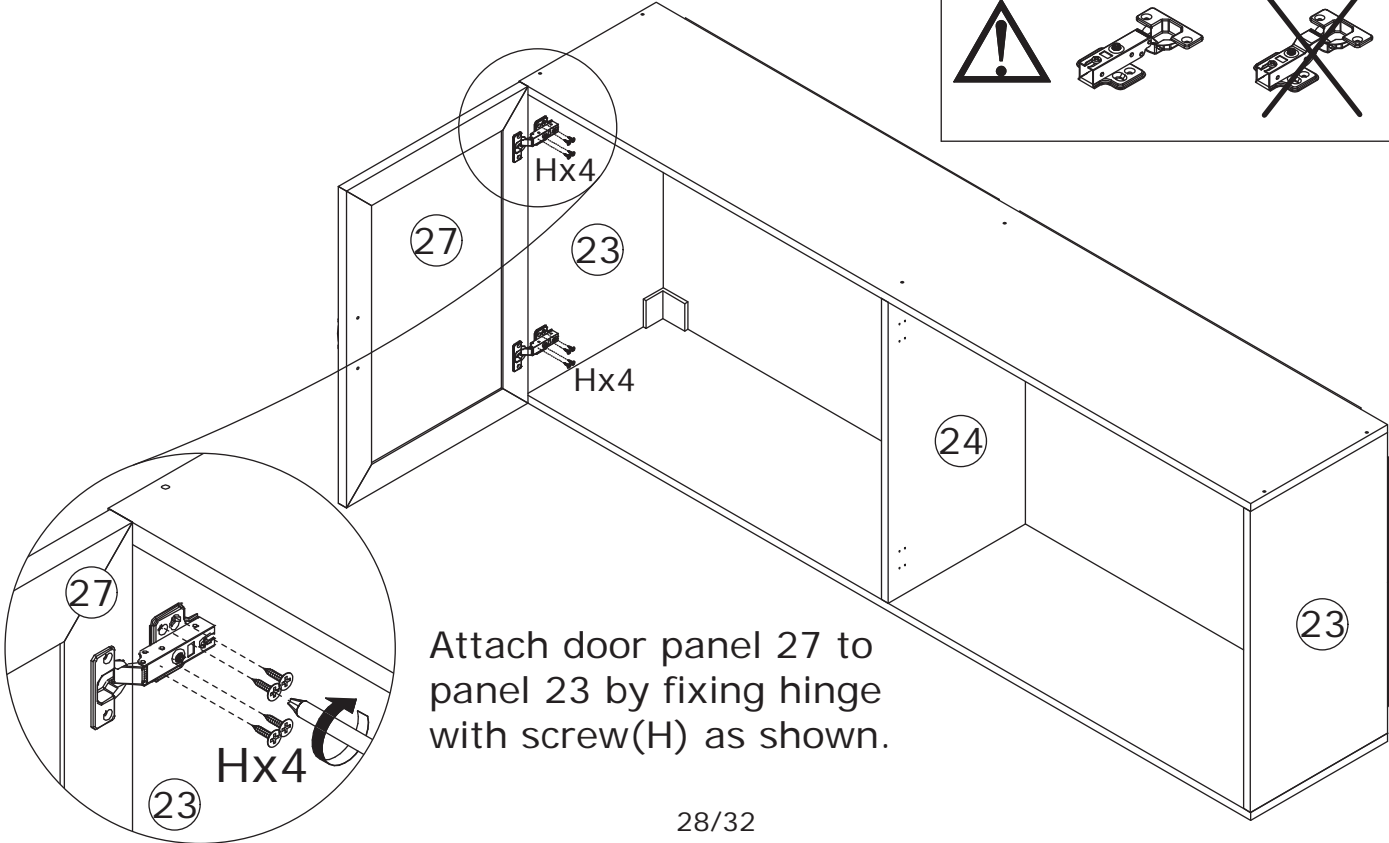
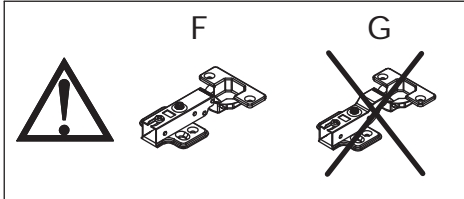
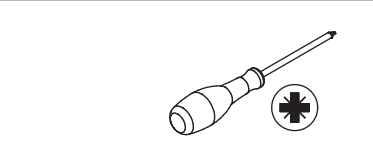
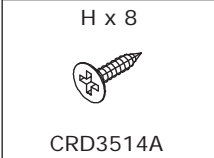
Half overlay hinge

39



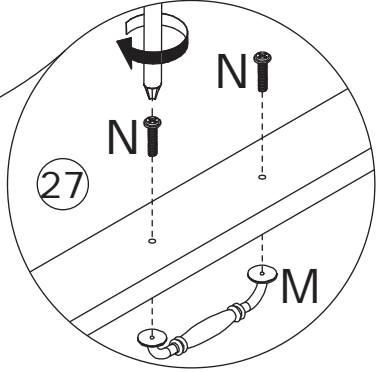
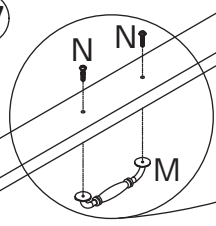
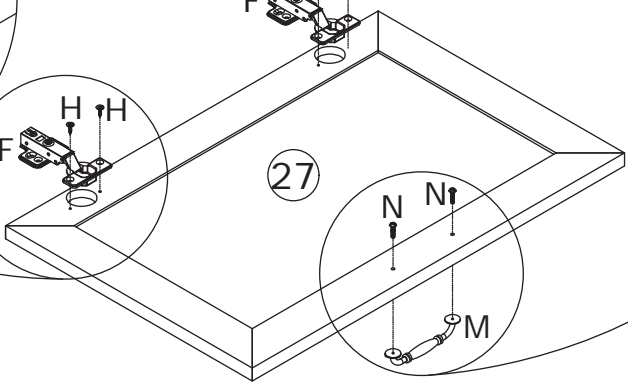
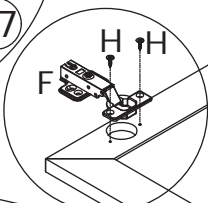
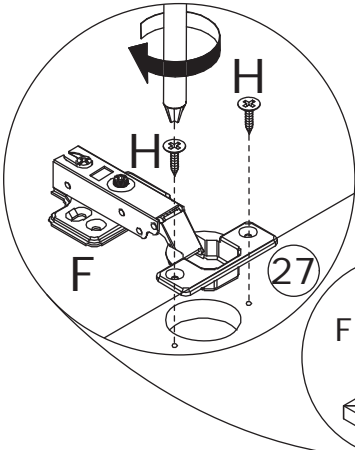
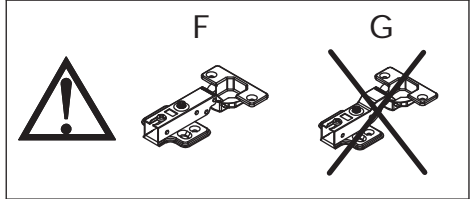
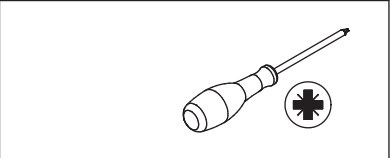
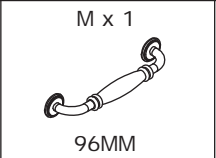
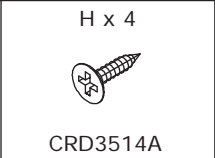
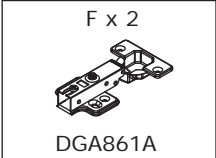
Fix hinge(F) to panel 27 with screw(H),
fix handle(M) with screw(N) as shown.

40



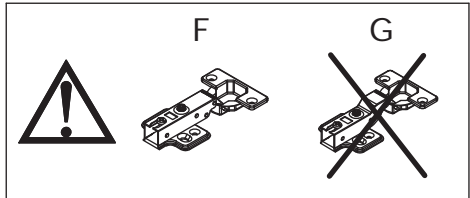
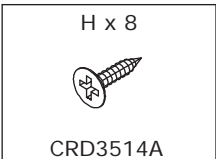
Attach door panel 27 to
panel 23 by fixing hinge
with screw(H) as shown.

41

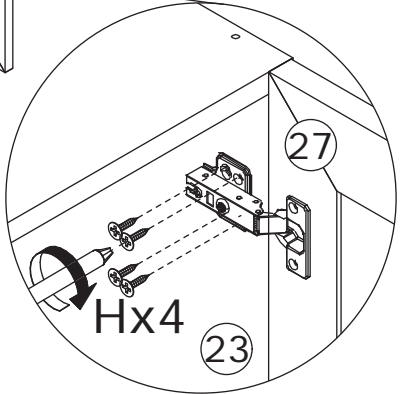
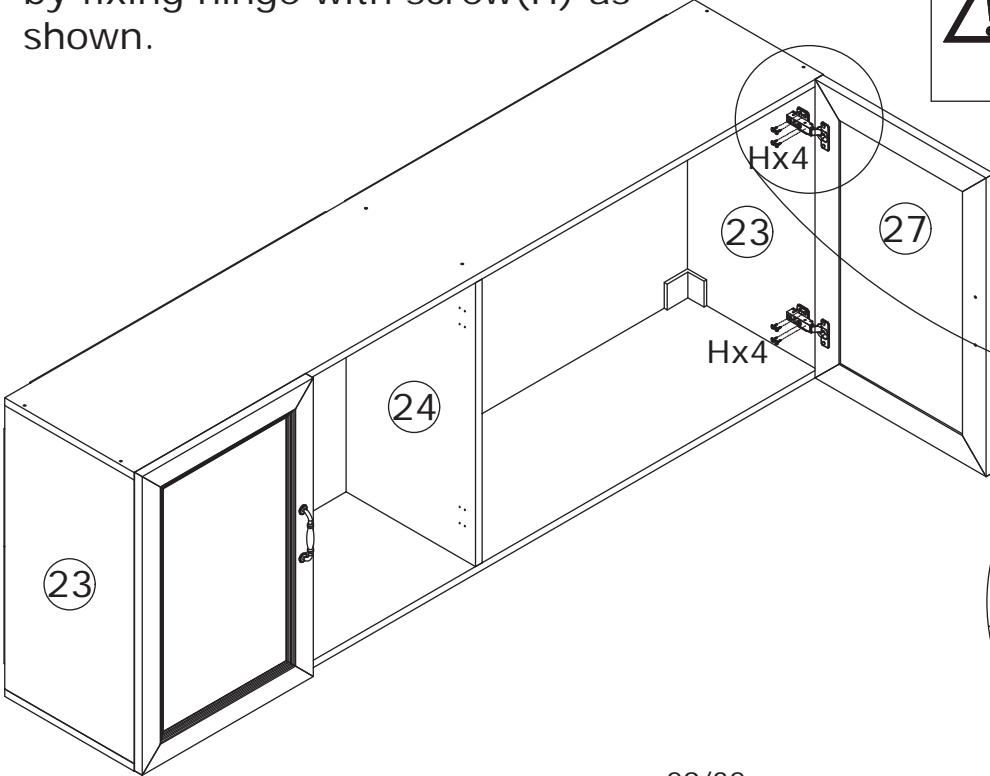


Fix hinge(F) to panel 27 with screw(H),
fix handle(M) with screw(N) as shown.



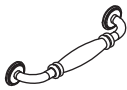

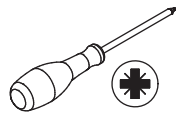
42



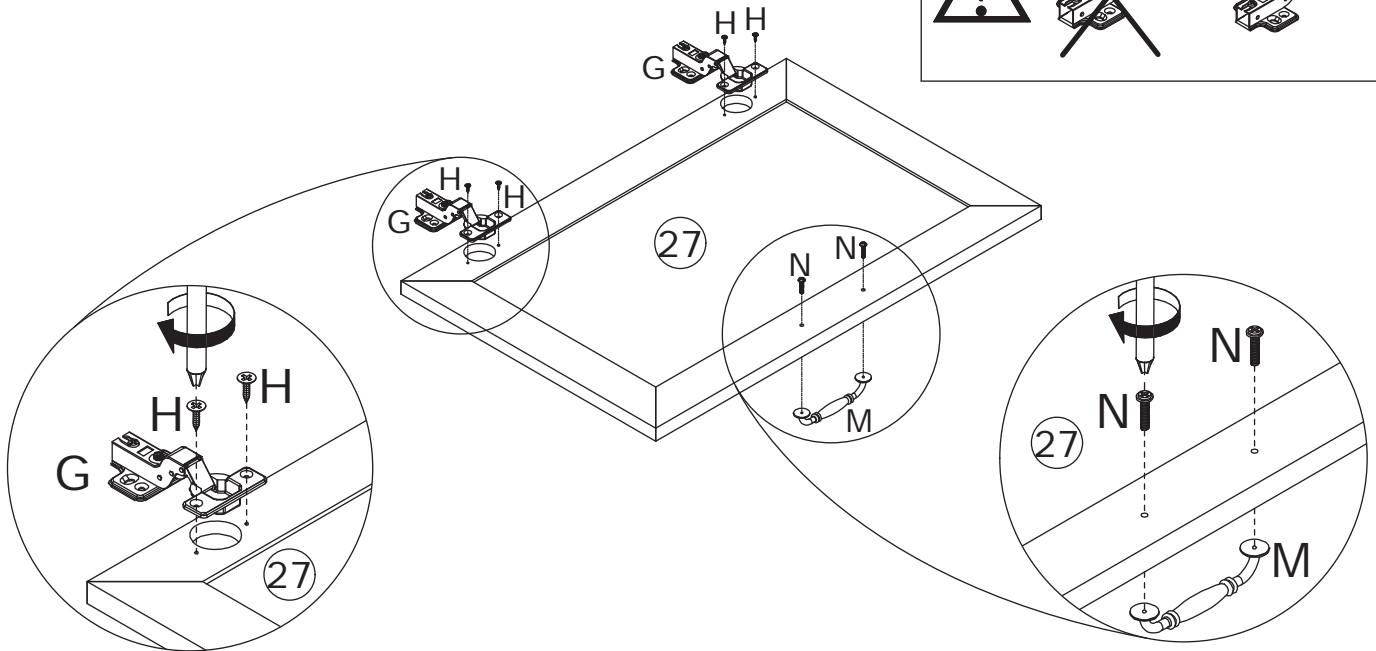
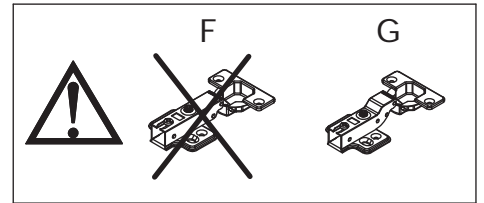
Attach door panel 27 to panel 23
by fixing hinge with screw(H) as
shown.



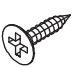
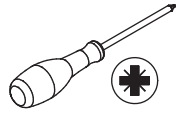
43

$G \times 2$  DGA861B	$H \times 4$  CRD3514A	$M \times 1$  96MM	$N \times 2$  CRE0422A	
--	---	---	--	---

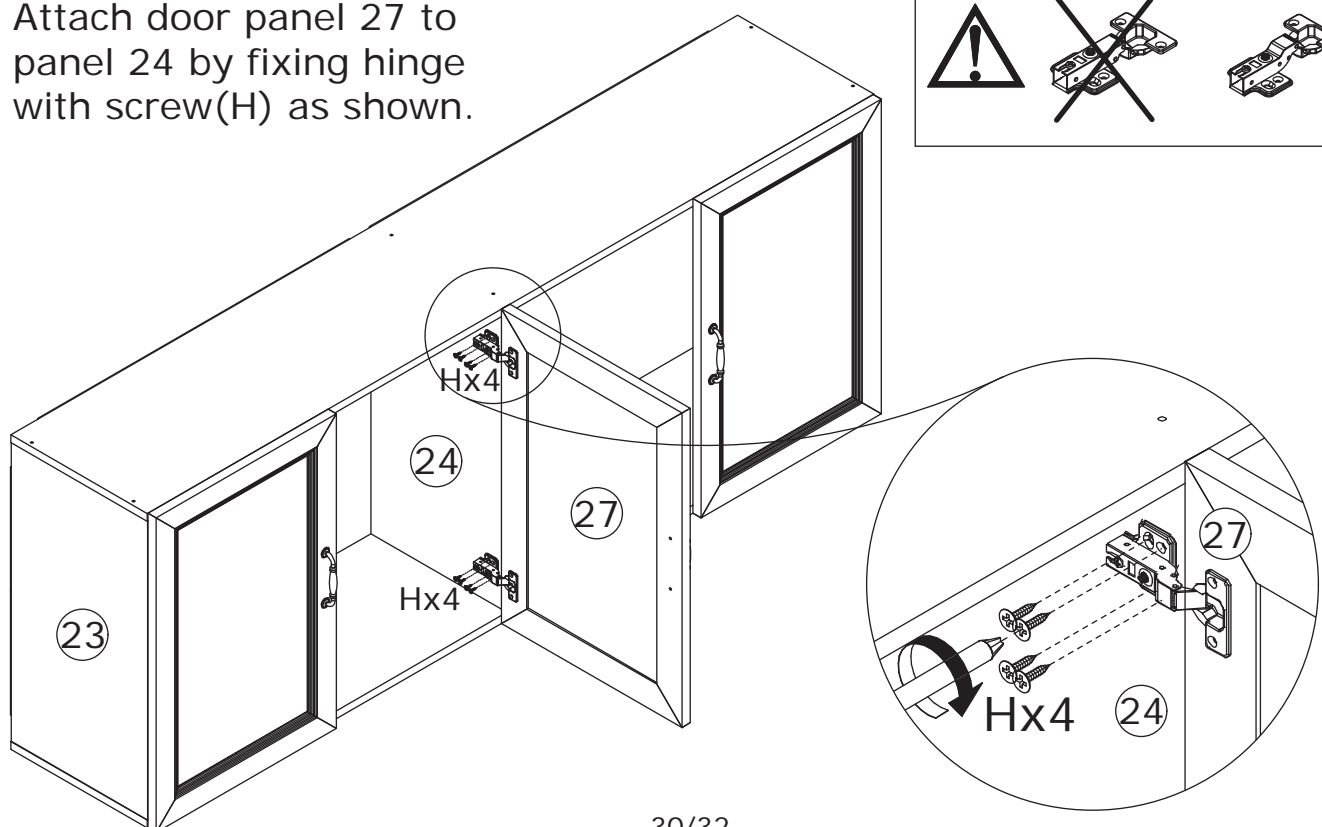
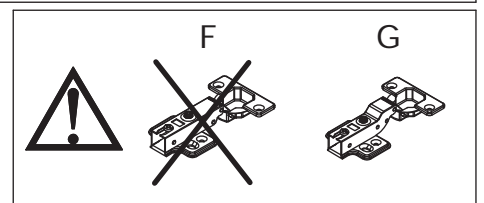
Fix hinge(G) to panel 27 with screw(H),
fix handle(M) with screw(N) as shown.



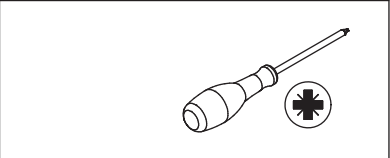
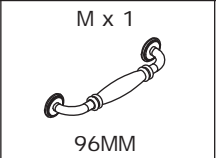
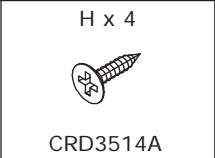
44

$H \times 8$  CRD3514A	
---	---

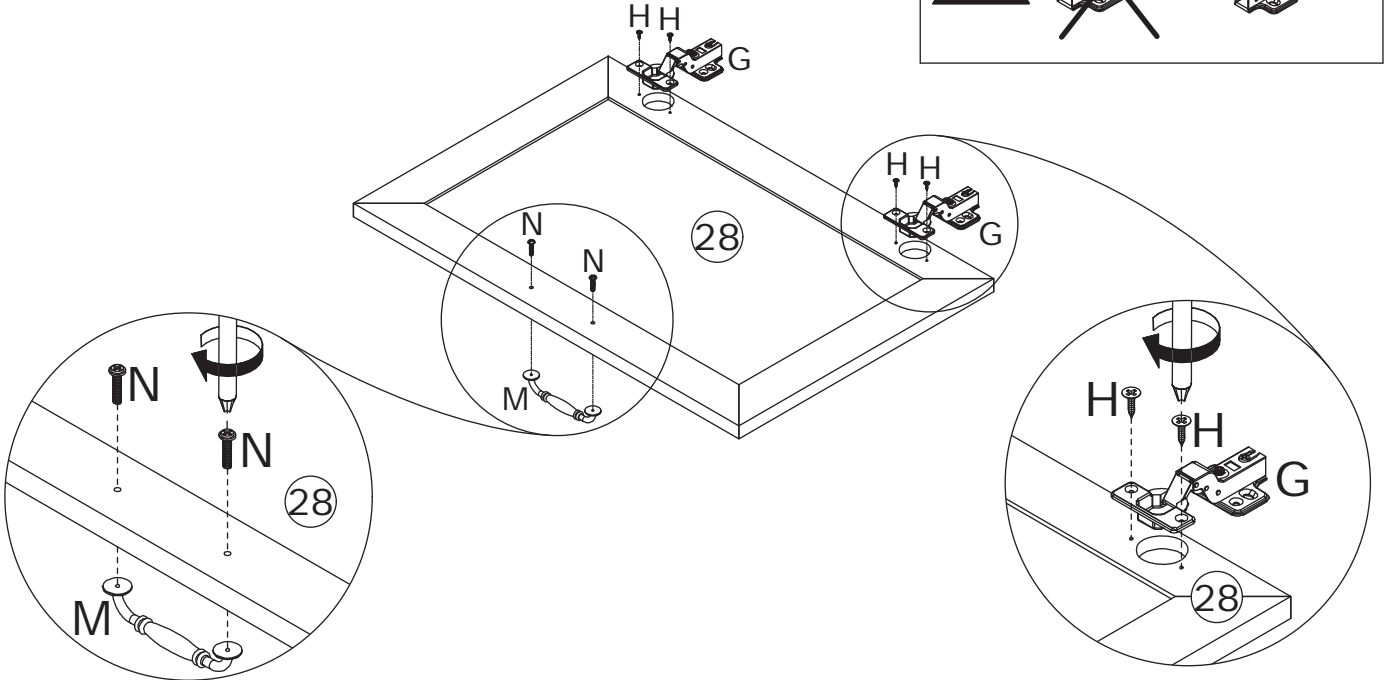
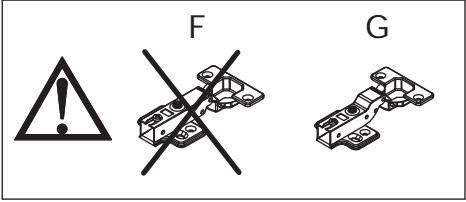
Attach door panel 27 to
panel 24 by fixing hinge
with screw(H) as shown.



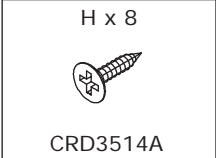
43



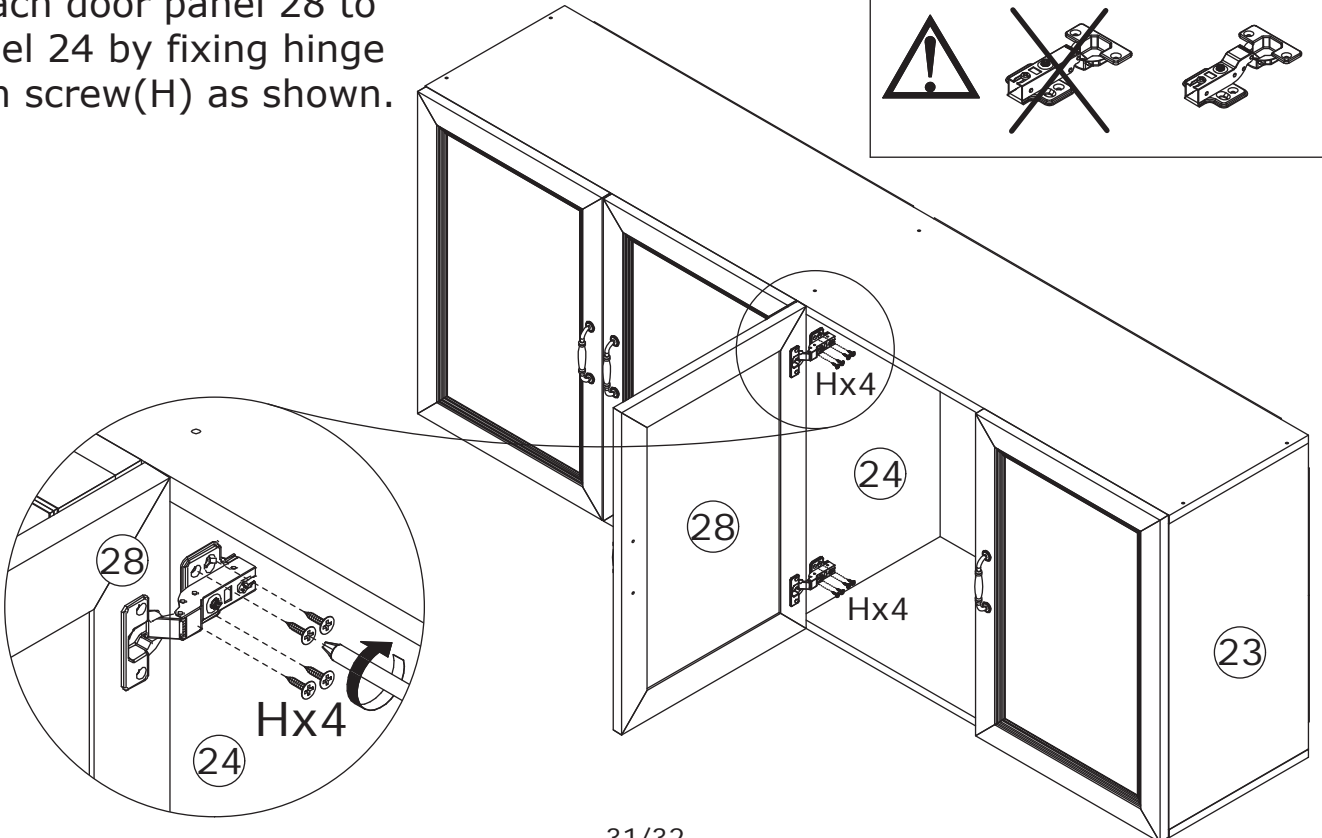
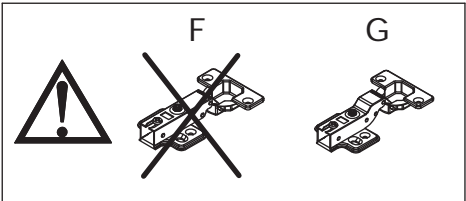
Fix hinge(G) to panel 28 with screw(H), fix handle(M) with screw(N) as shown.

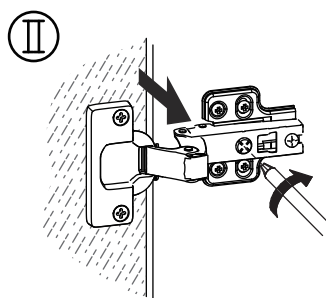
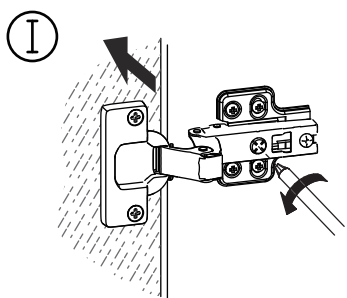
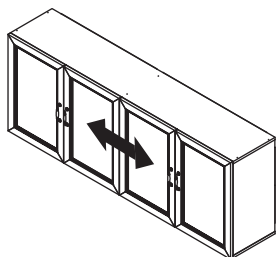
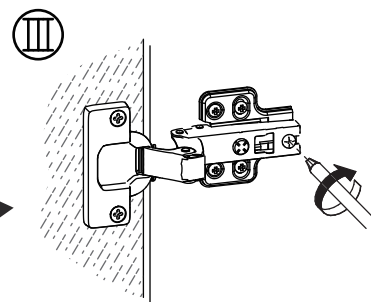
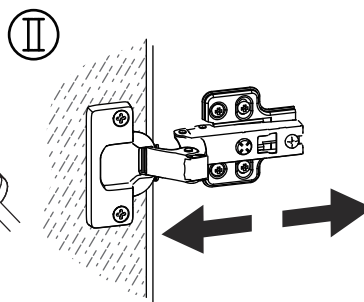
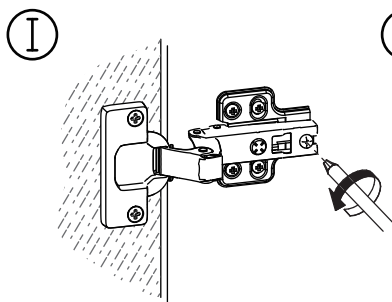
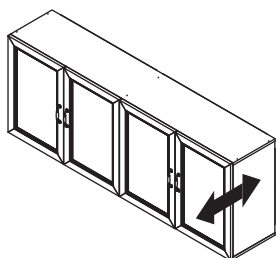
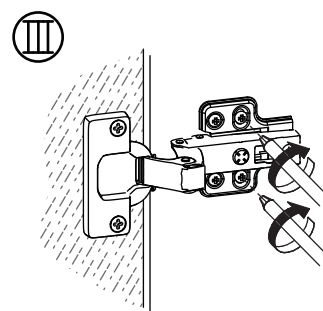
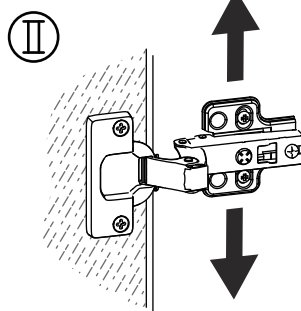
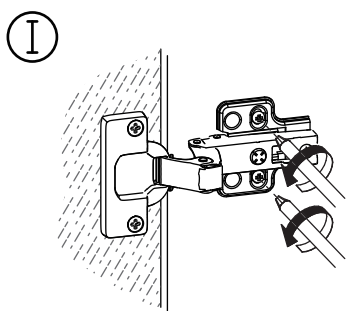
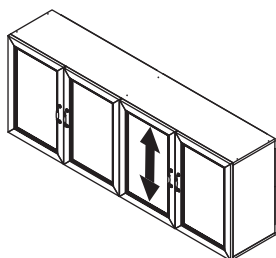
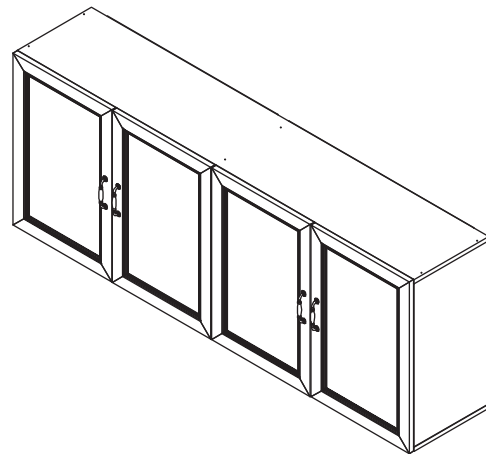
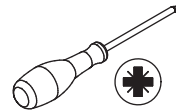


44



Attach door panel 28 to panel 24 by fixing hinge with screw(H) as shown.





WARRANTY

WARRANTY CLAIMS

- There is a 30-day warranty for broken furniture or any other problems that do not work properly. The warranty will start from the date of purchase which must be verified by proof of purchase.
- Before making a claim, we may be able to answer your query, simply call us. Please leave your purchase order number, along with some details of the problem, if you want a replacement part. We will arrange within 48 hours. If there is out of stock, we will reply with a shipping date.
- The product must be used in accordance with the instructions provided. For health reasons.
- For other reasons, if the furniture needs to be returned, it must be cleaned and dried and operated within 30 days of receipt.

Type of Warranty Claim

- Failure to follow the furniture instructions will invalidate the warranty. Attention please.
- Does not include damage during installation, but includes damage during transportation.

Scope of responsibility

- Shall not bear any responsibility for misuse or user damage and / or loss of parts during the installation of furniture.
- After using, the damage and scratches of the furniture are not covered by the warranty.

The Warranty Relates to All Bought in The Us and Covers The Following Areas

- Sheet parts: 1 month from the date of purchase.
- Electrical parts: 1 month from the date of purchase.