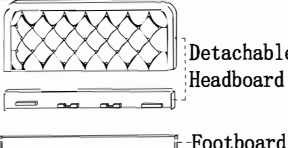
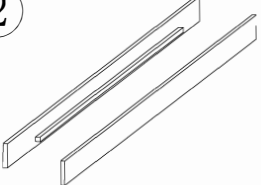
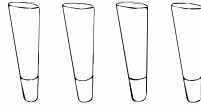
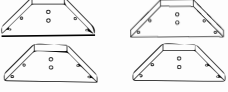
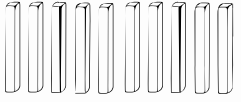
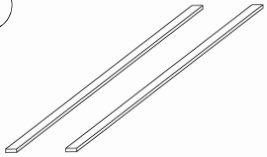

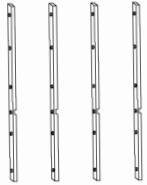



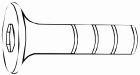
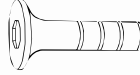


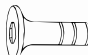


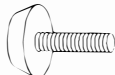


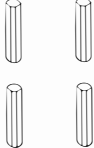
ASSEMBLY TIPS: Remove hardware from box and sort by size. Check that all hardware and parts are present before assembling. Following instruction below in proper sequence to ensure fast, easy and correct assembly.

! WARNING: DO NOT FULLY TIGHTEN ALL BOLTS UNTIL ALL PARTS IN PLACE, FAILURE TO FOLLOW THIS INSTRUCTION MAY CAUSE THE BOLTS TO BE MISALIGNED DURING THE ASSEMBLY.

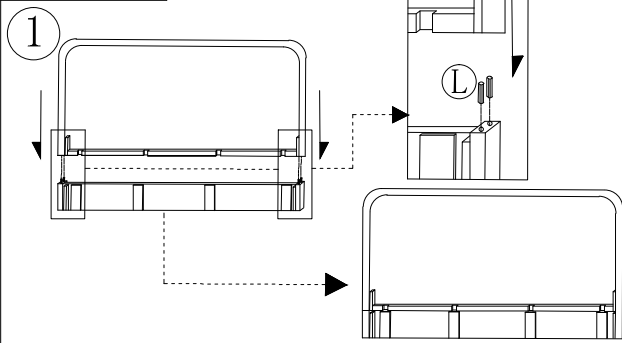
Part List

<p>1</p>  <p>Detachable Headboard Footboard</p>	<p>2</p> 	<p>3</p> 	<p>4</p> 
<p>Headboard & Footboard</p>	<p>Side Rail</p>	<p>Leg</p>	<p>Corner Block</p>
<p>5</p> 	<p>6</p> 	<p>7</p> 	<p>8</p> 
<p>Support Leg</p>	<p>Center Rail</p>	<p>Slat</p>	<p>Headboard Support Bar</p>

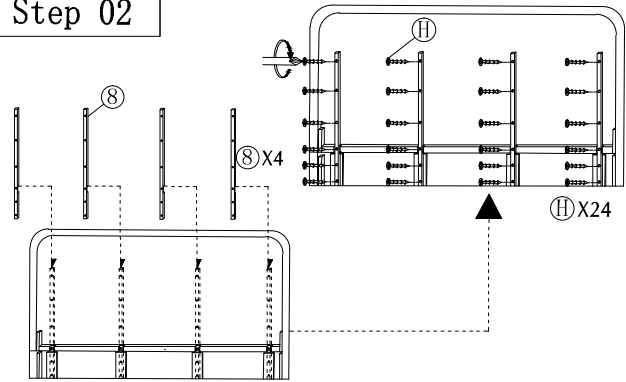
Hardware List

<p>A</p>  <p>X16</p> <p>JCBC M6 X 50 MM</p>	<p>B</p>  <p>X4</p> <p>JCBC M6 X 30 MM</p>	<p>C</p>  <p>X10</p> <p>JCBC M6 X 60 MM</p>	<p>D</p>  <p>X16</p> <p>Flat Washer M6</p>
<p>E</p>  <p>X8</p> <p>JCBB M8 X 50 MM</p>	<p>F</p>  <p>X8</p> <p>JCBB M8 X 16 MM</p>	<p>G</p>  <p>X8</p> <p>Flat Washer M8</p>	<p>H</p>  <p>X50</p> <p>CSK M4 X 30 MM</p>
<p>I</p>  <p>X10</p> <p>Adjuster Screw</p>	<p>J</p>  <p>X1</p> <p>Allen Key M4</p>	<p>K</p>  <p>X1</p> <p>Allen Key M5</p>	<p>L</p>  <p>X4</p> <p>Wood Base M10 X 40MM</p>

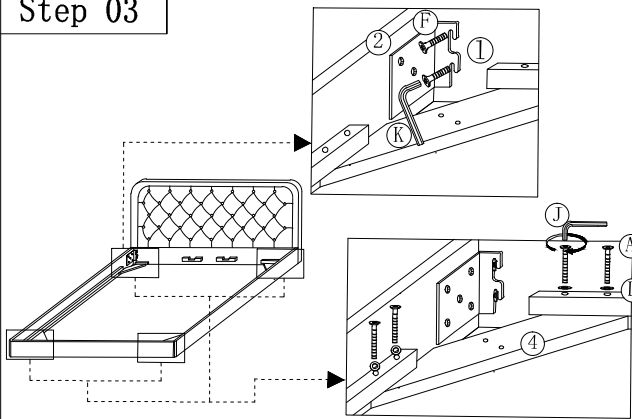
Step 01



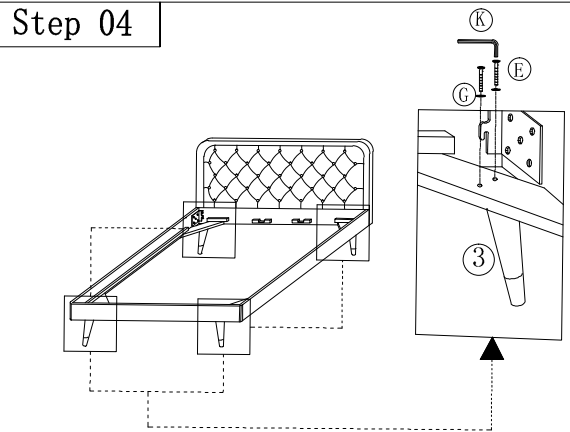
Step 02



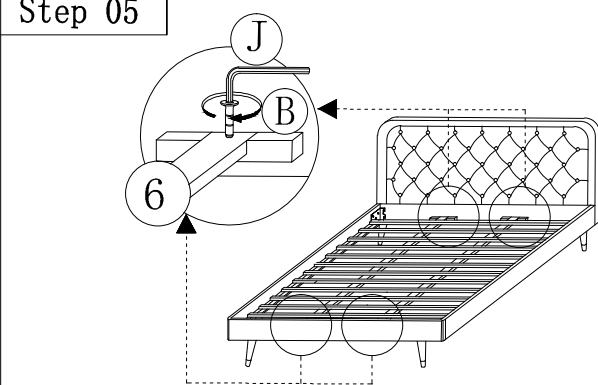
Step 03



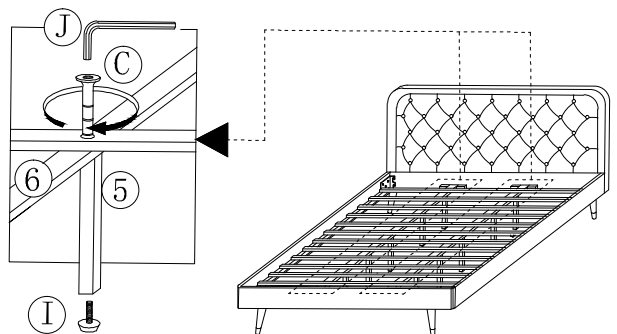
Step 04



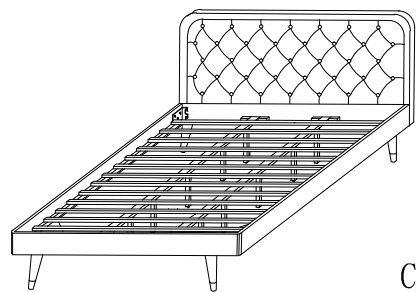
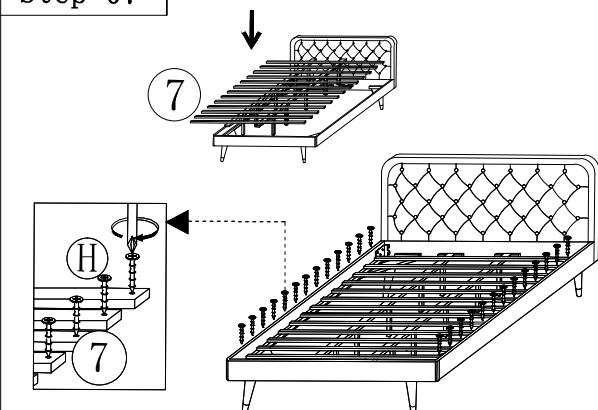
Step 05



Step 06



Step 07



COMPLETED
ASSEMBLY