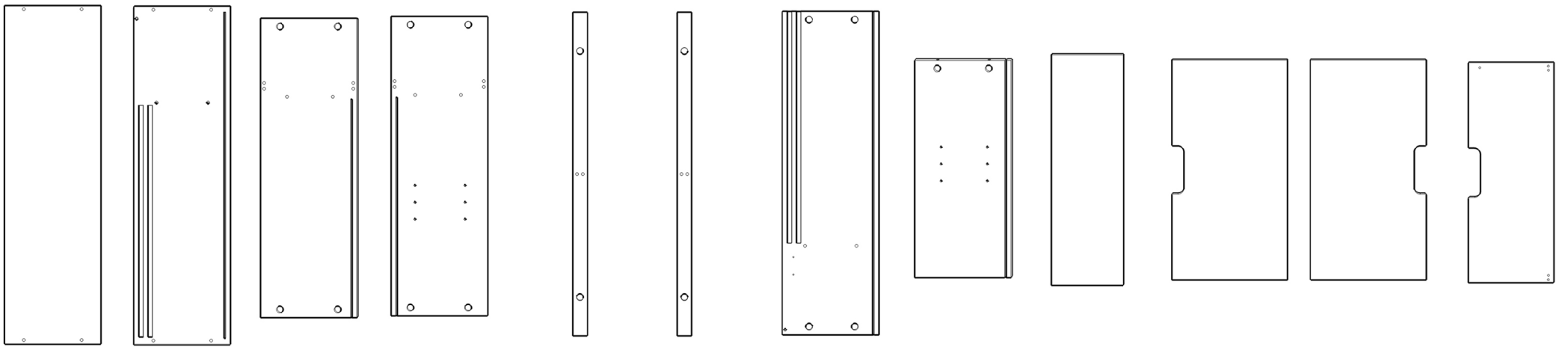


TOOLS:



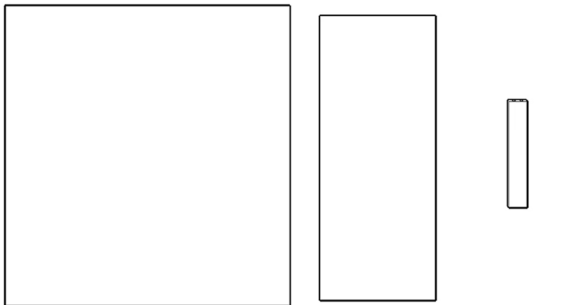
UNIT:MM 1 2 3 4 5 6 7 8 9 10 11 12



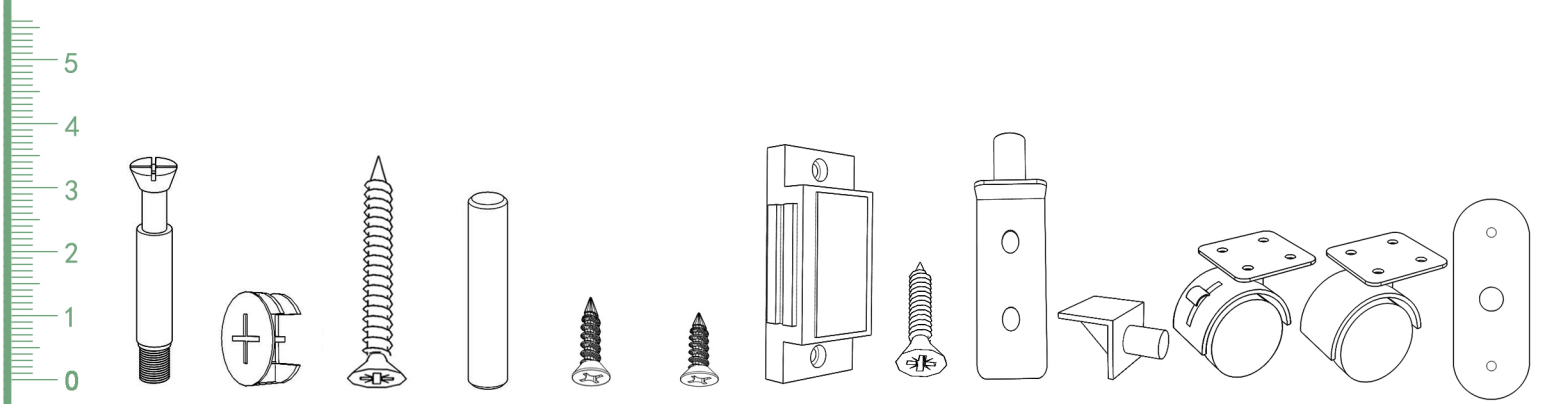
700×200×15 700×200×15 620×200×15 620×200×15 670×40×15 670×40×15 670×200×15 450×200×15 470×150×12 455×240×9 455×240×9 455×175×12

UNIT:MM 13 14 15

(A) × 18 (B) × 18 (C) × 2 (D) × 16 (E) × 16 (F) × 5 (G) (H) × 2 (J) × 2 (K) × 4 (L) × 2 (M) × 2 (N)

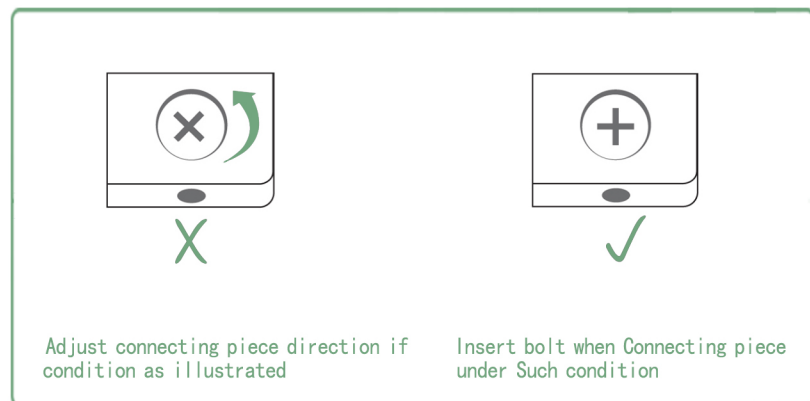
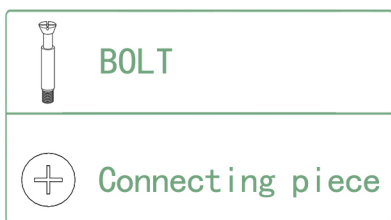


480×455×3 455×185×3 168×40×15



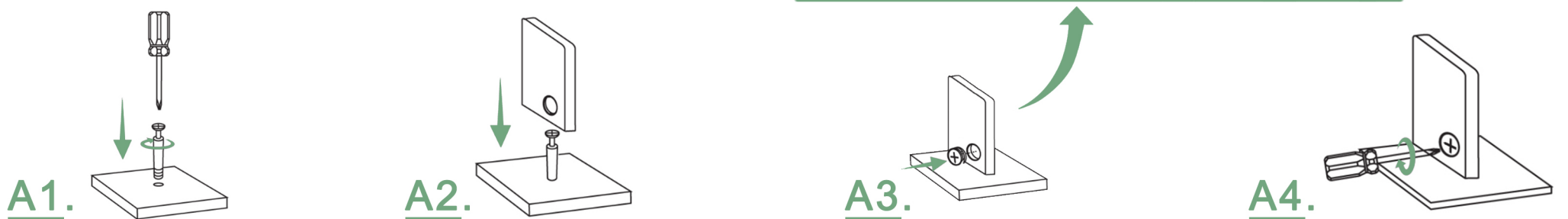
M6×35 Φ15×12 M4×35 Φ6×30 M4×12 M3×10 M3×14 1.5inch 1.5inch

BOLT INSTALLATION AS BELOW:

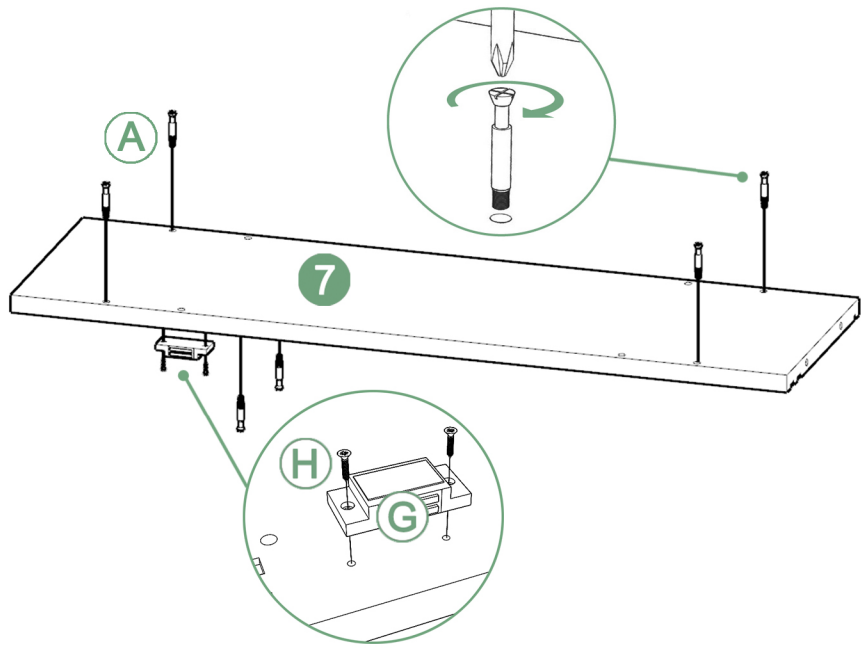


Adjust connecting piece direction if condition as illustrated

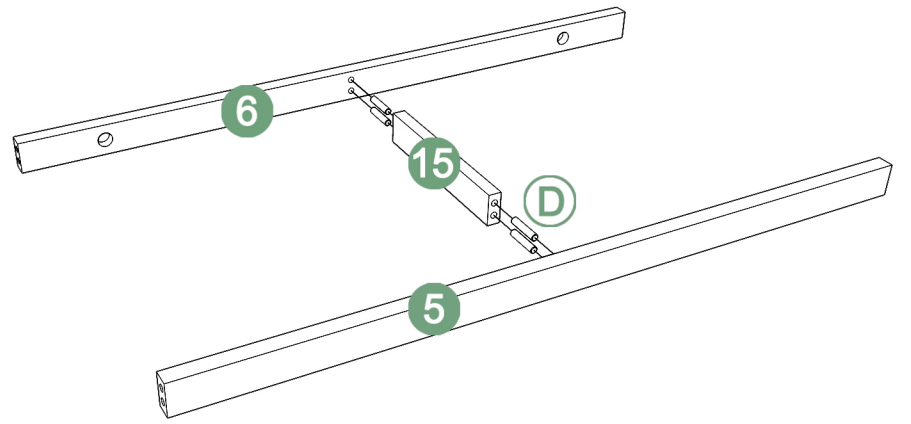
Insert bolt when Connecting piece under Such condition



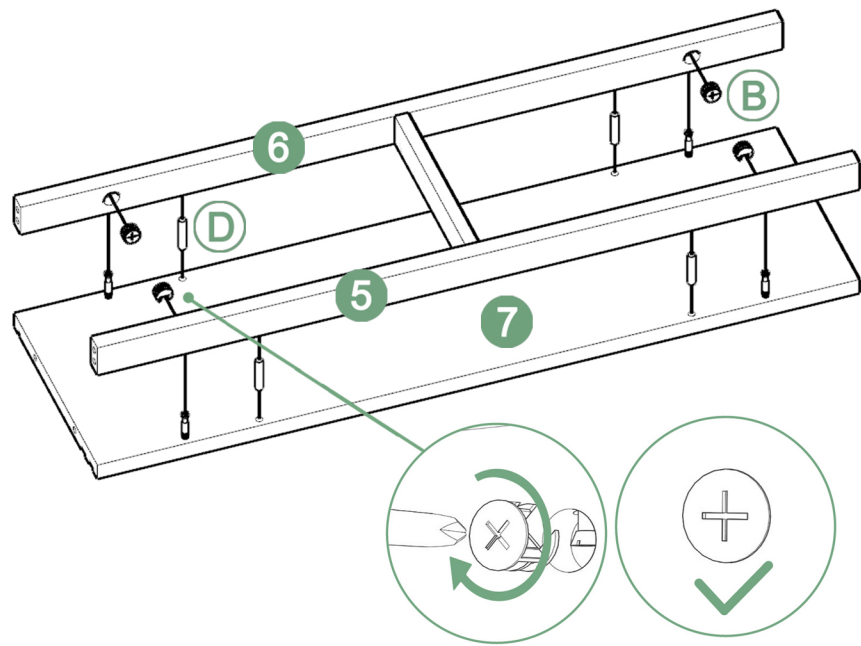
1.



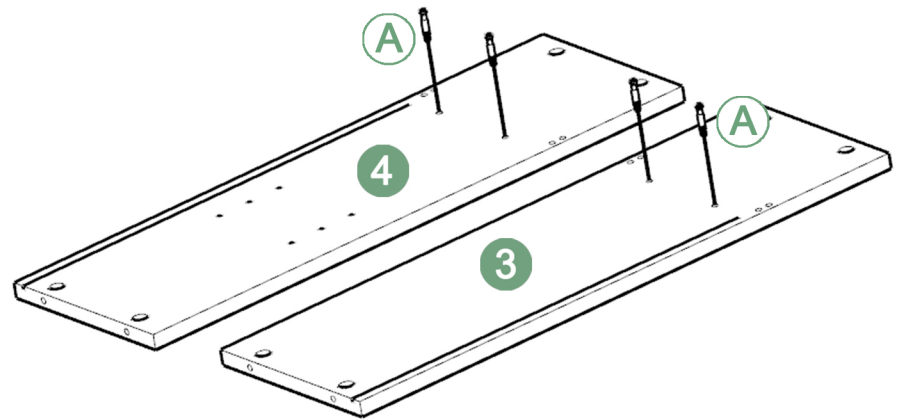
2.



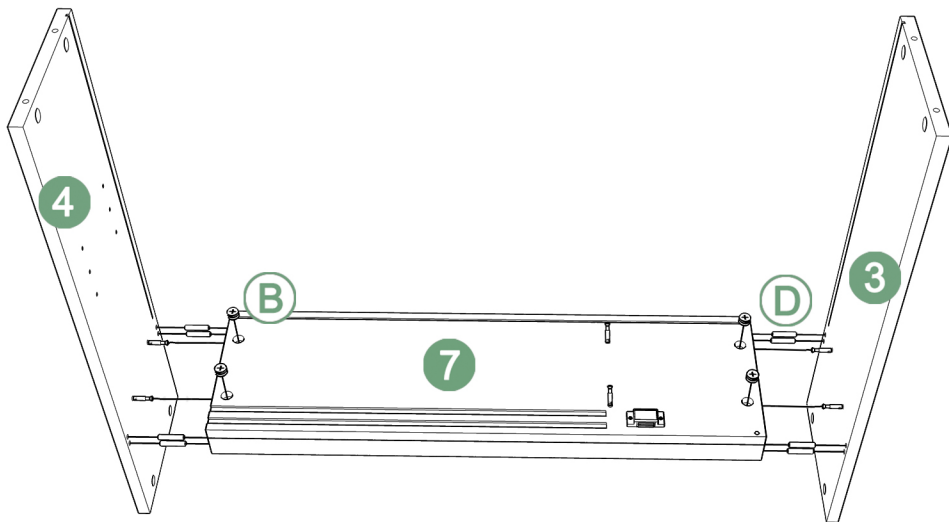
3.



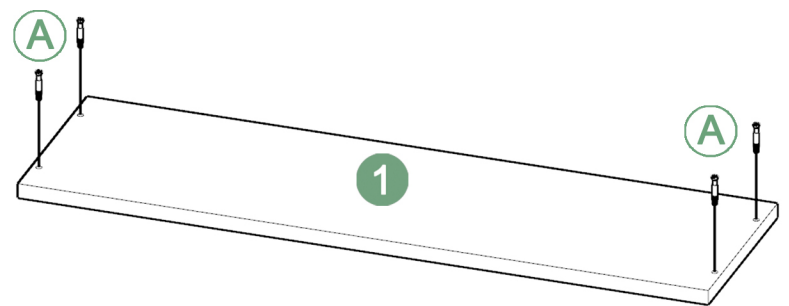
4.



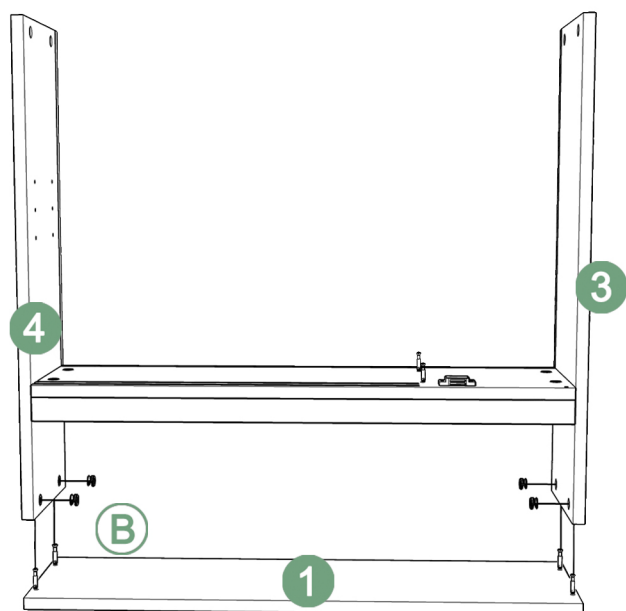
5.



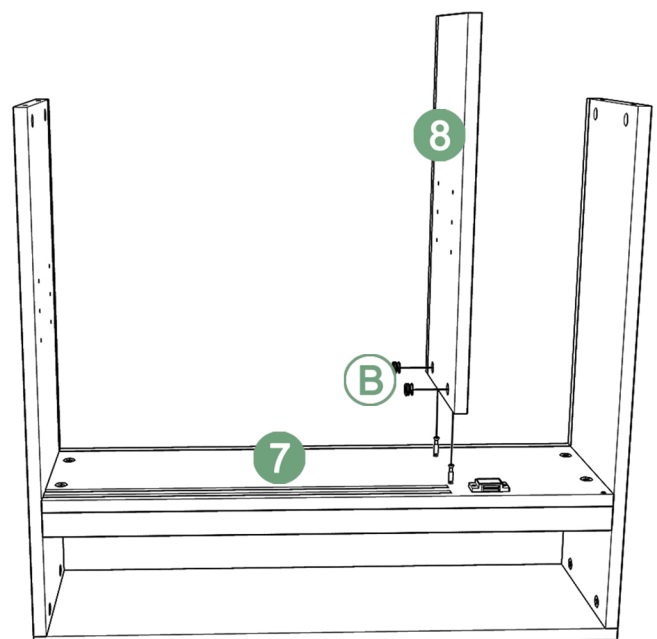
6.



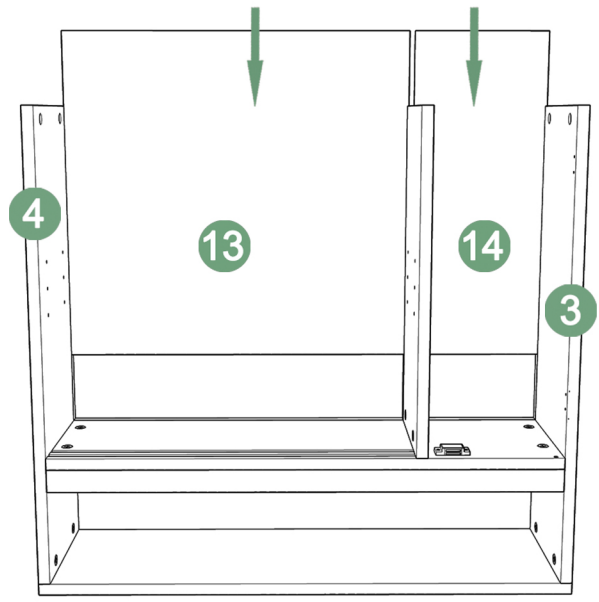
7.



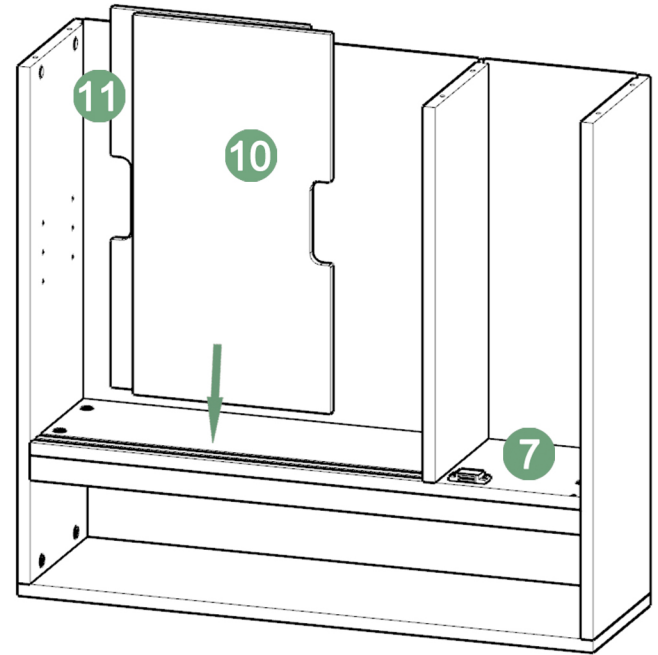
8.



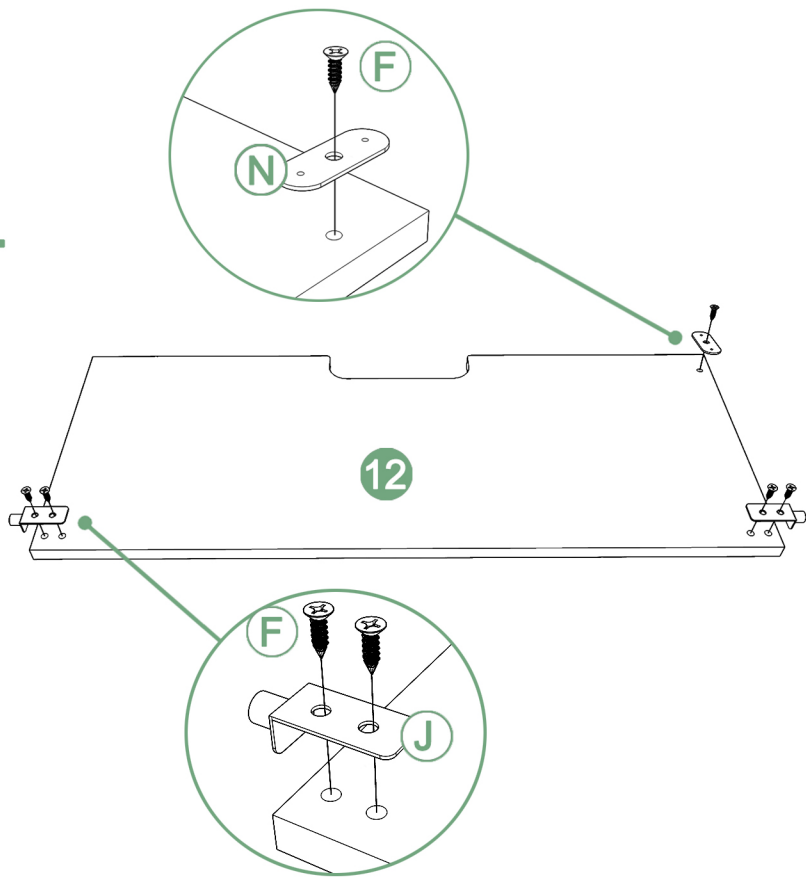
9.



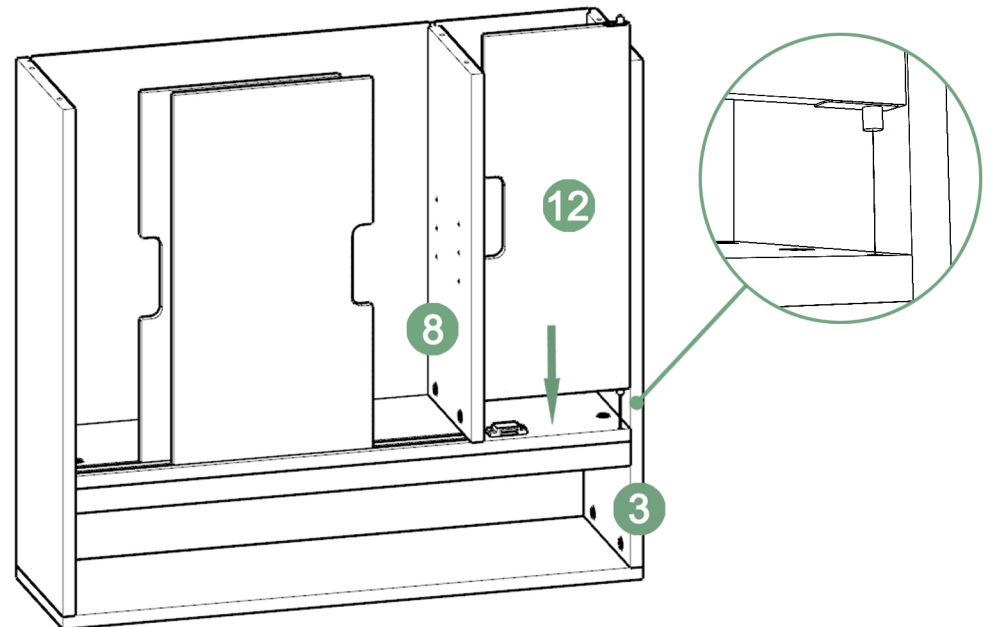
10.



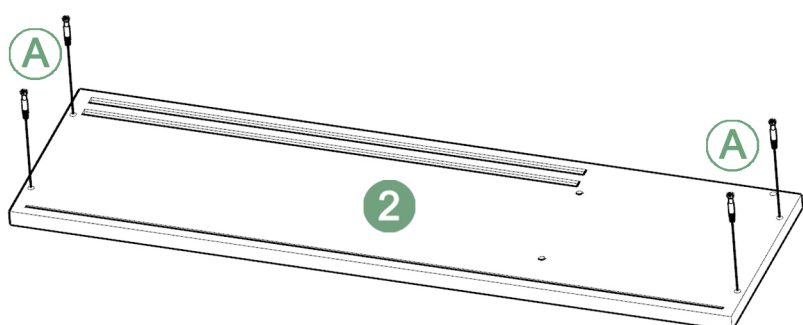
11.



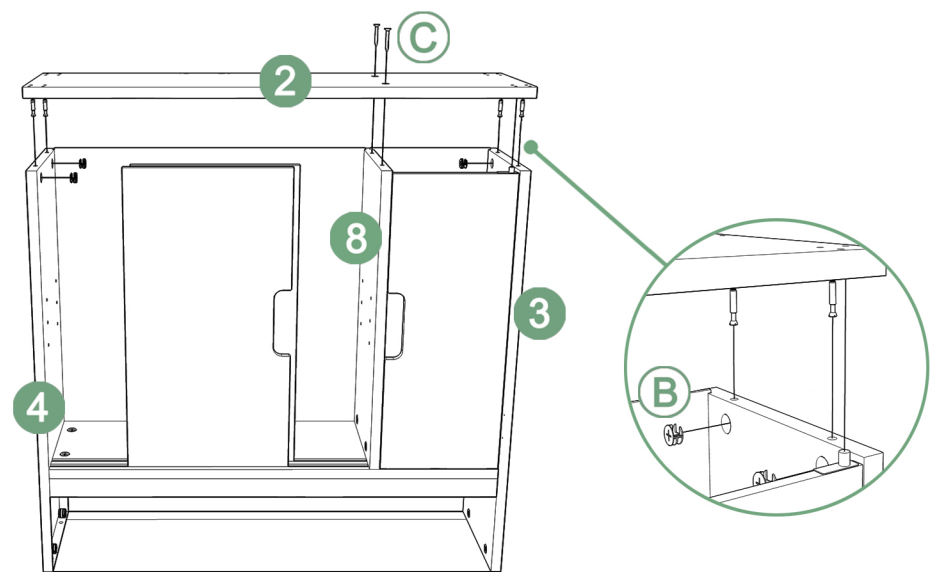
12.



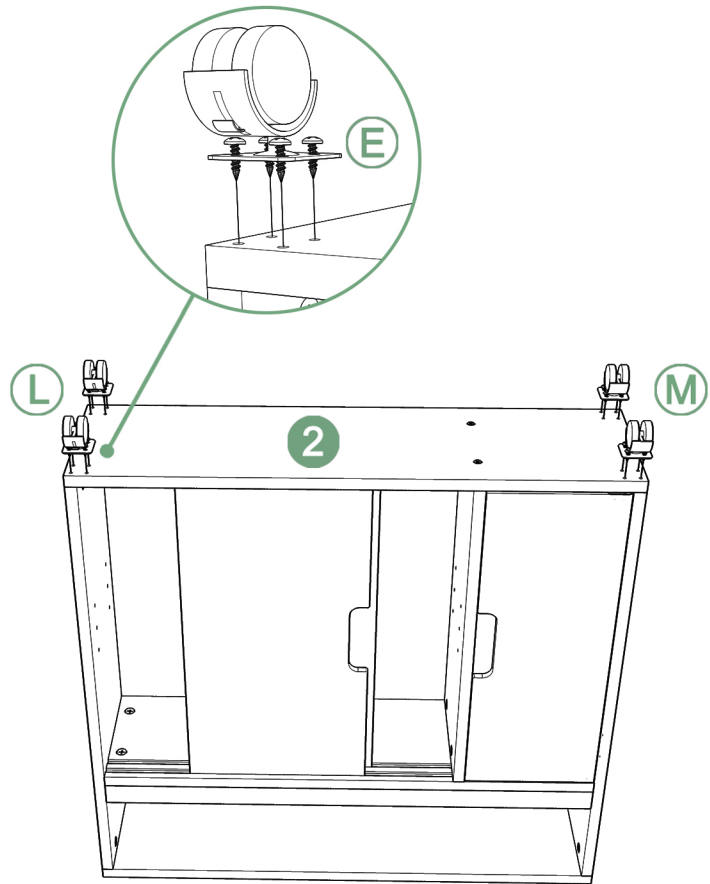
13.



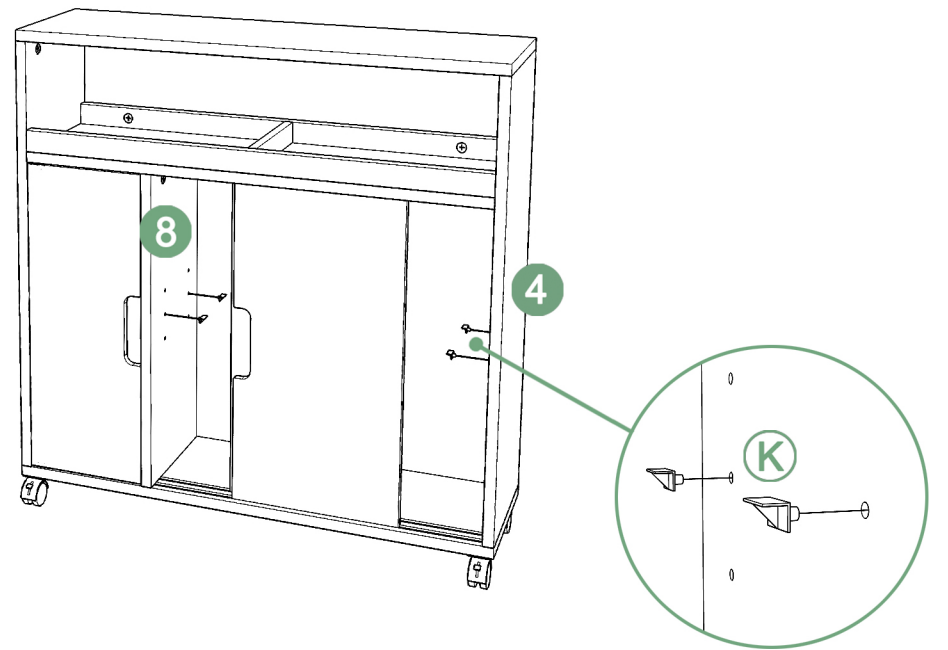
14.



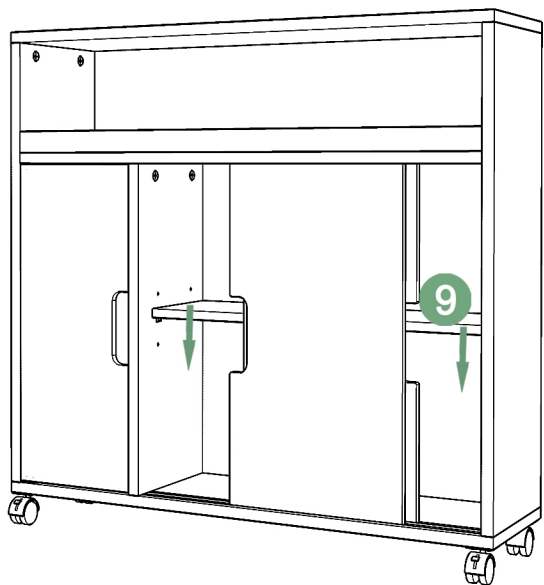
15.



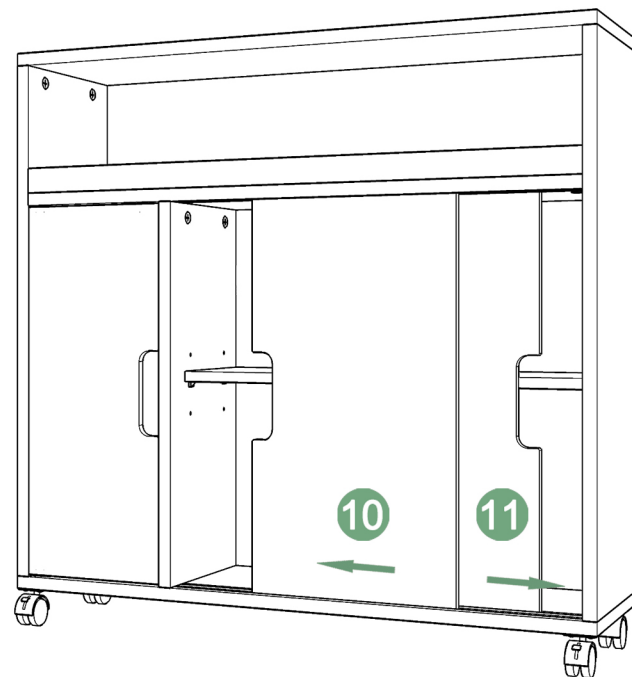
16.



17.



18.



19.

