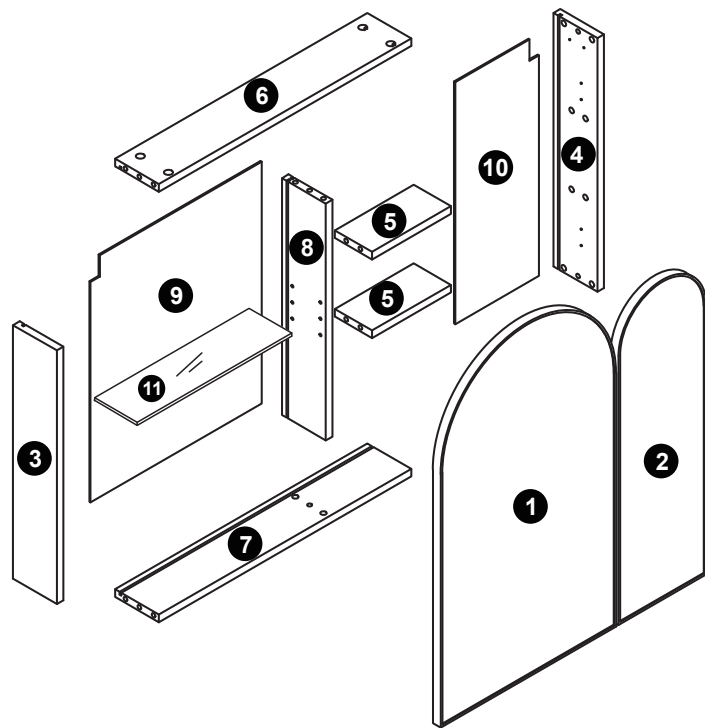
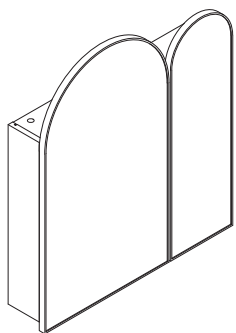


## Part List

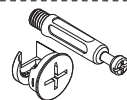


Open the package, and put the item on the mat with care.  
Please install it carefully to ensure your fingers will not be scratched.



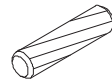
## Hardware List

**A**



x20

**B**



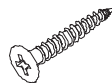
x6

**C**



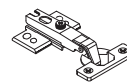
x30

**D**



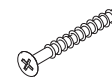
x4

**E**



x4

**F**



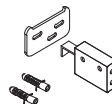
x4

**G**



x4

**H**



x2

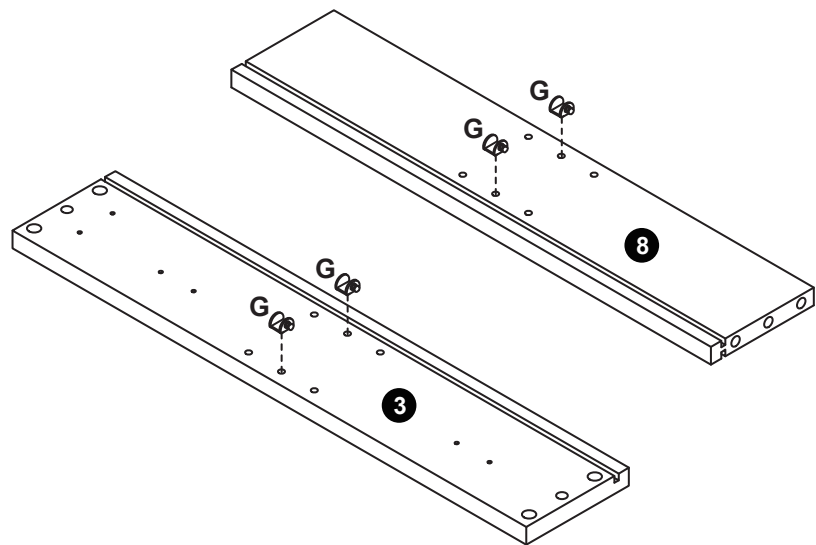
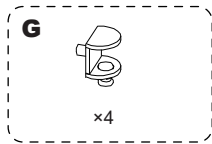
**L**



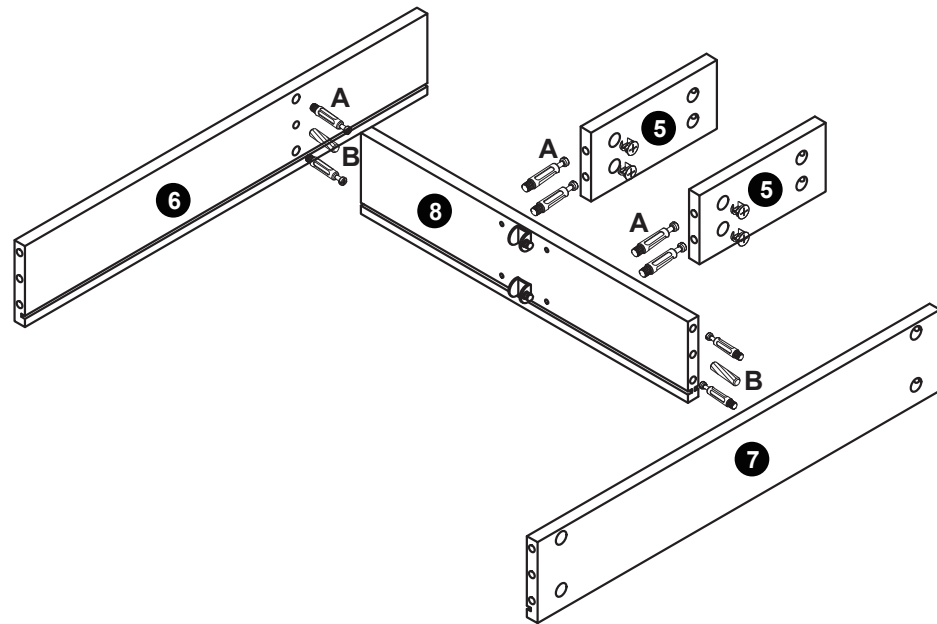
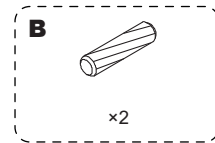
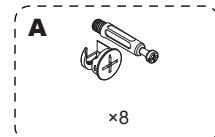
x6

Start...

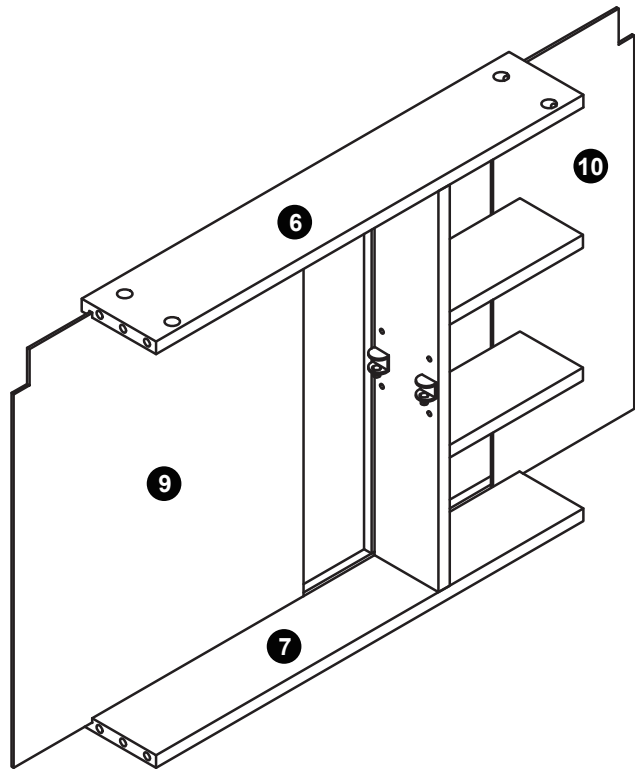
| Step1



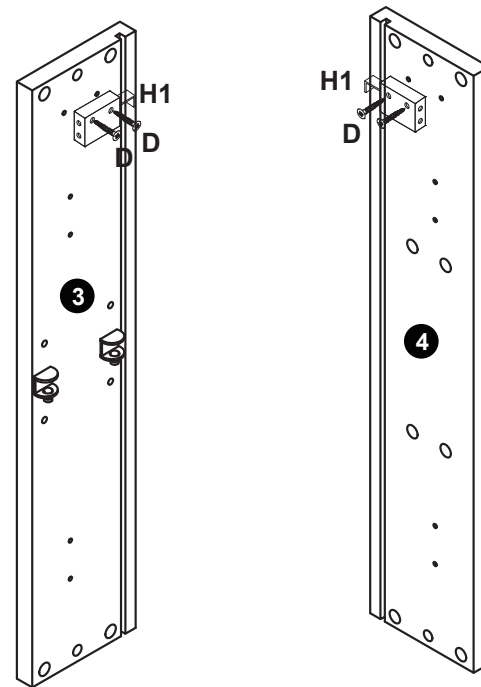
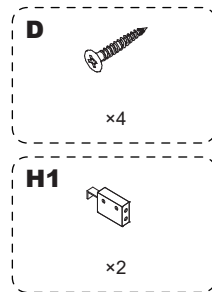
| Step2



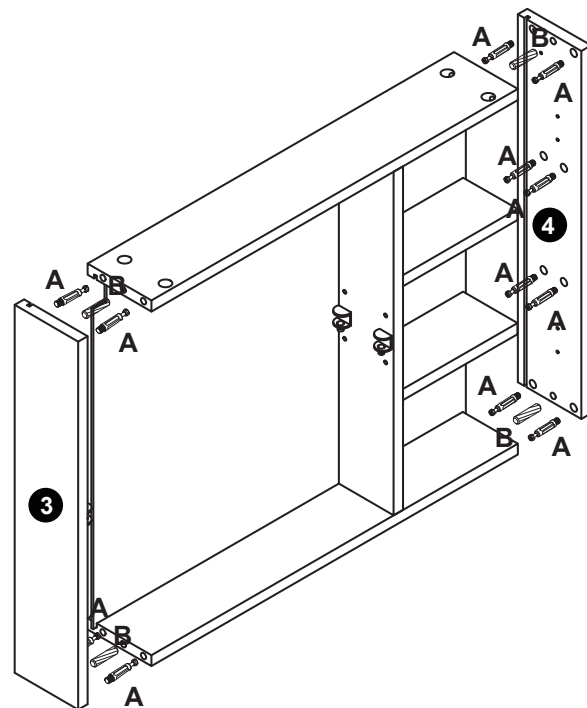
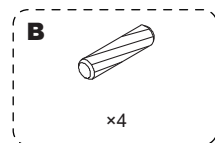
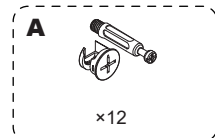
| Step3



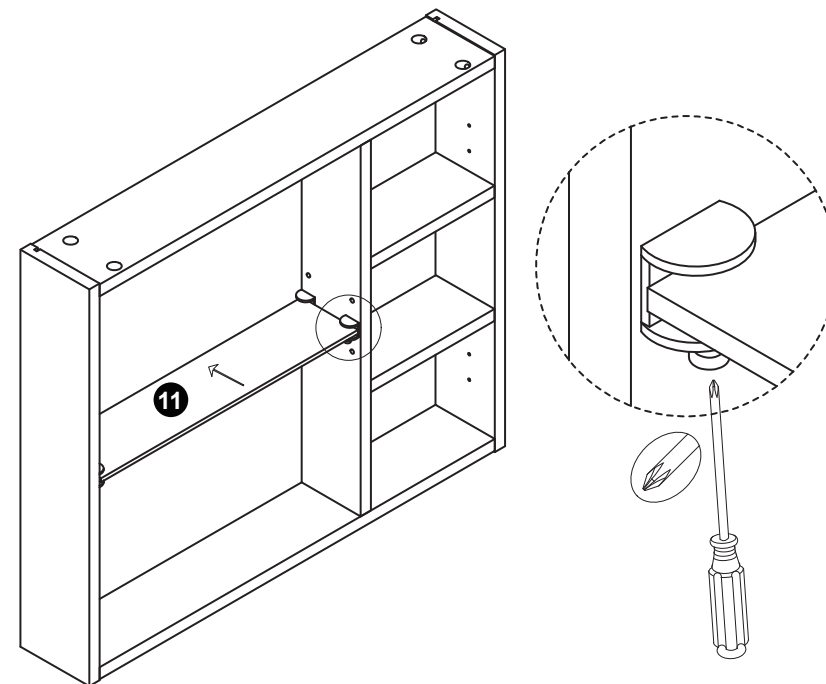
| Step4



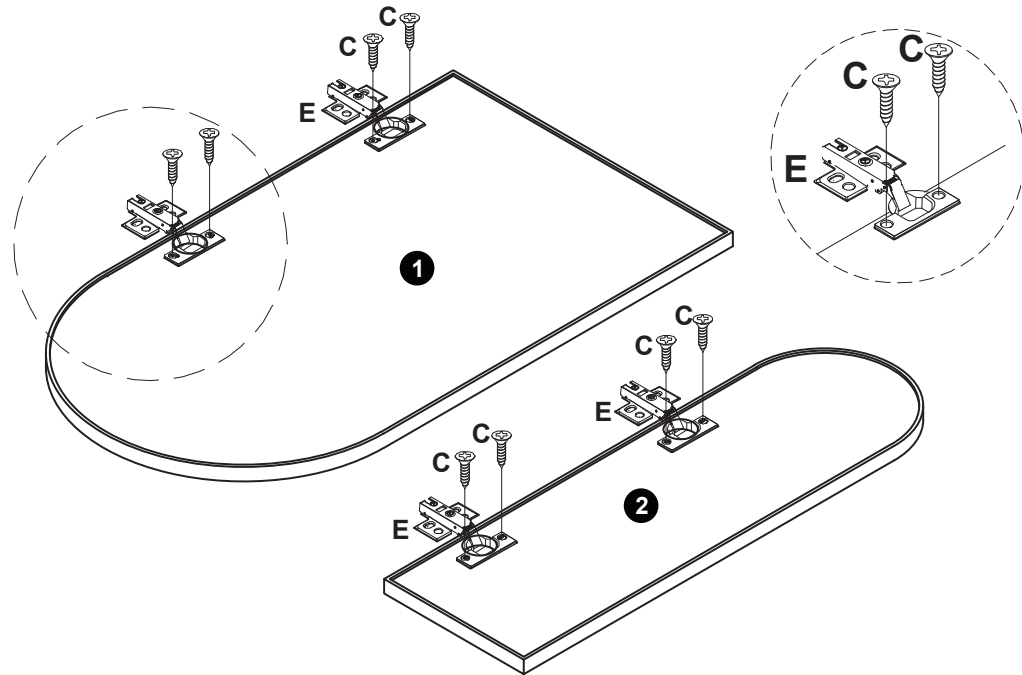
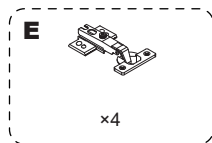
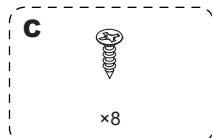
### | Step5



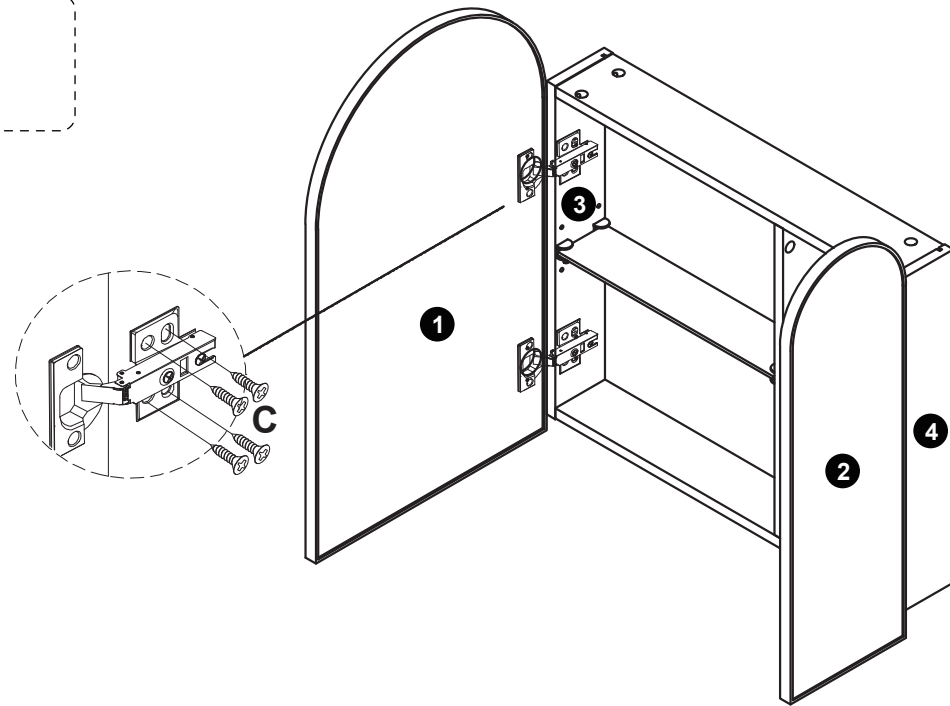
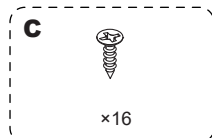
### | Step6

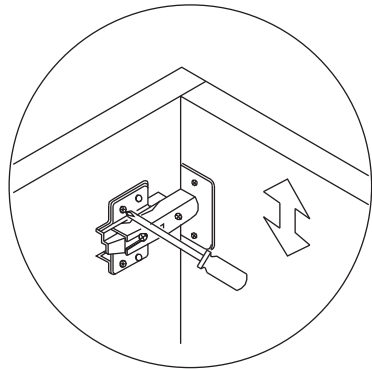
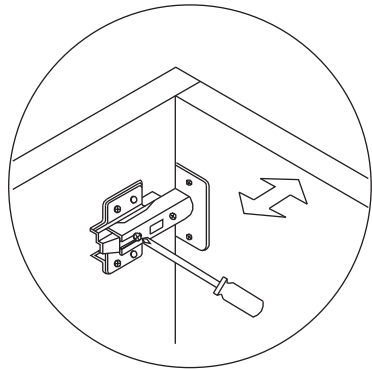
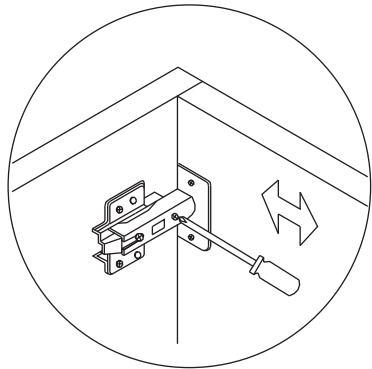


### | Step7

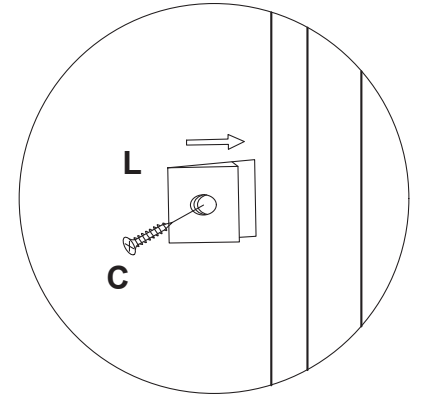
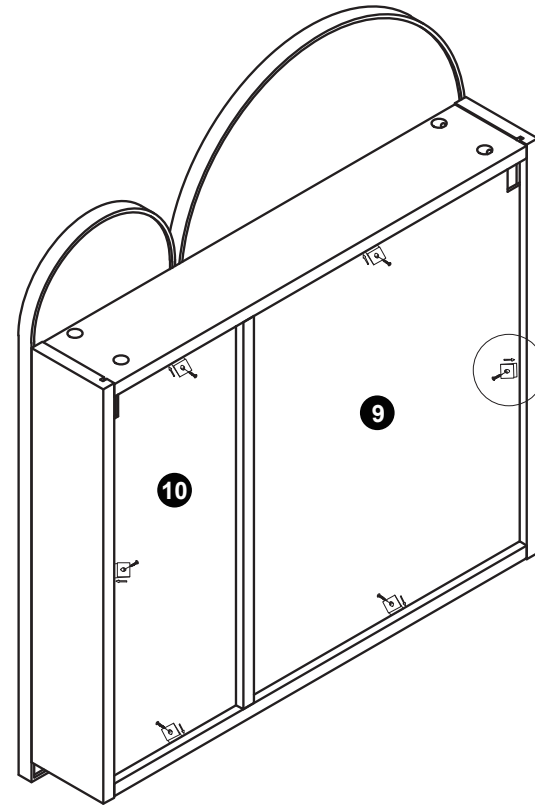
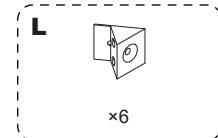
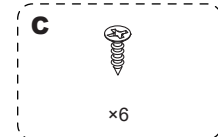


### | Step8





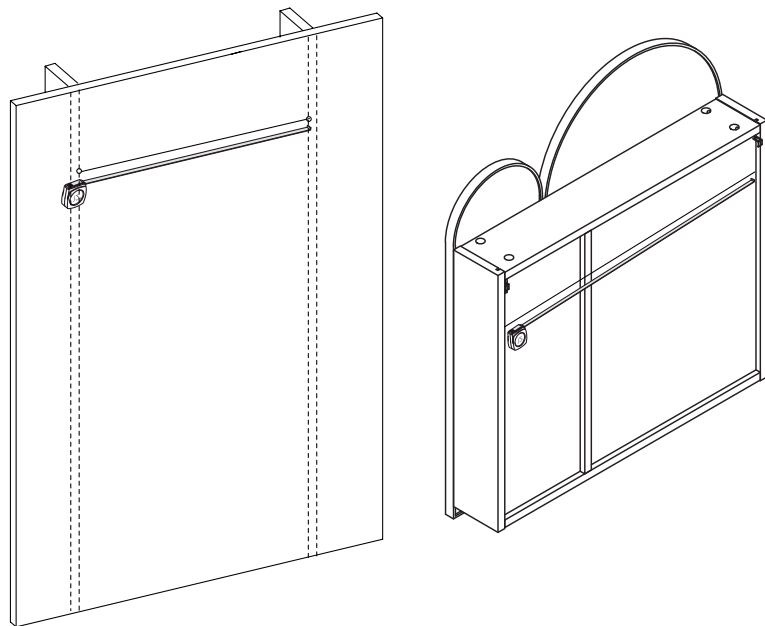
### | Step9



# Wall Mounting

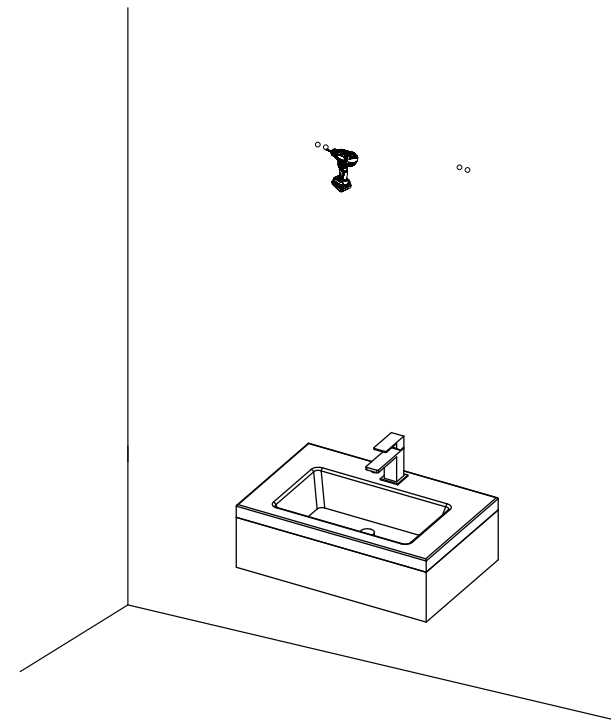
## | Step1

Mark the mounting holes on the wall.



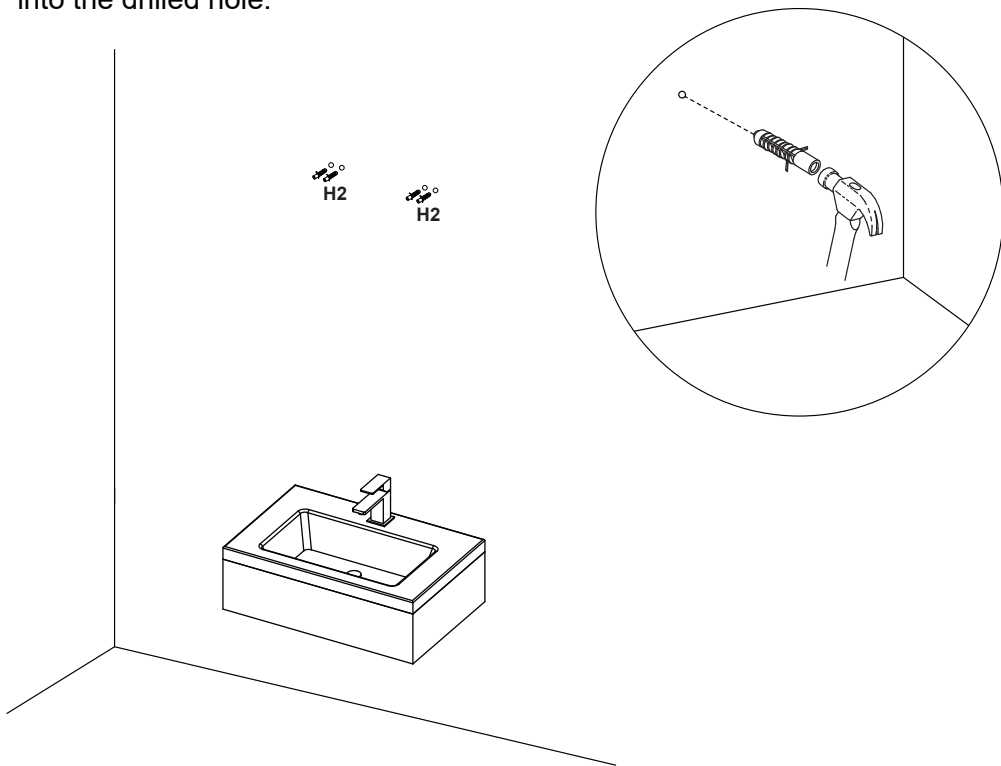
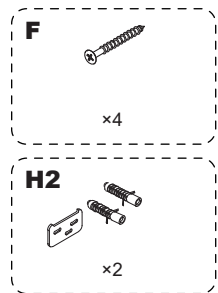
## | Step2

Drill holes in marked places.



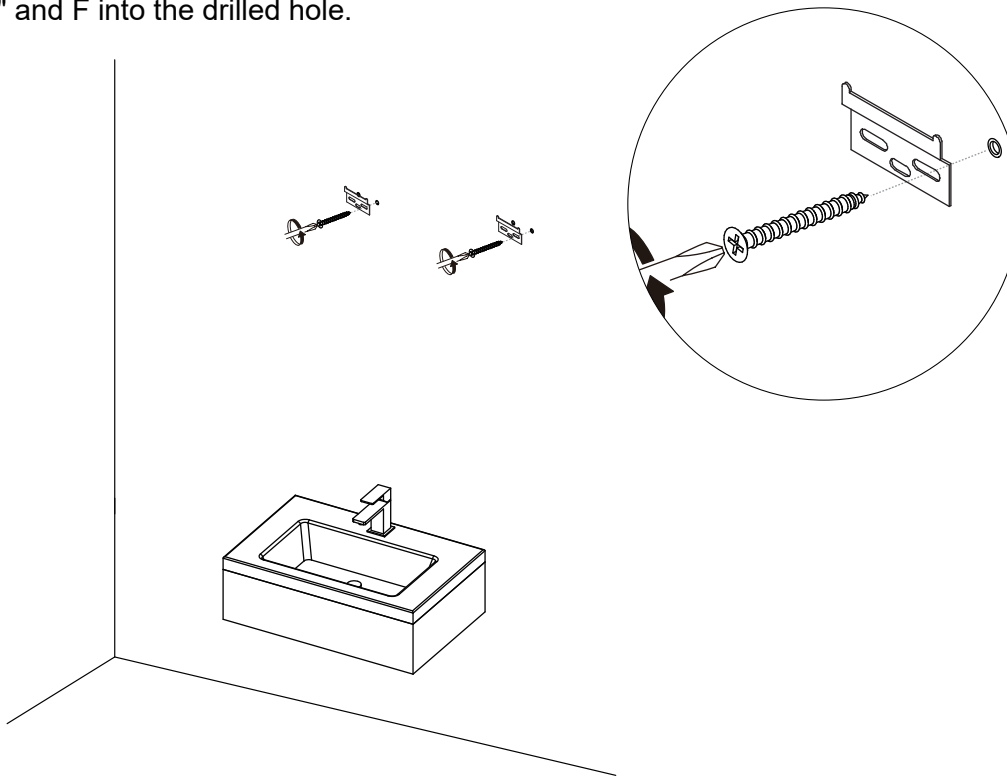
### | Step3

Hammer the "H2" into the drilled hole.



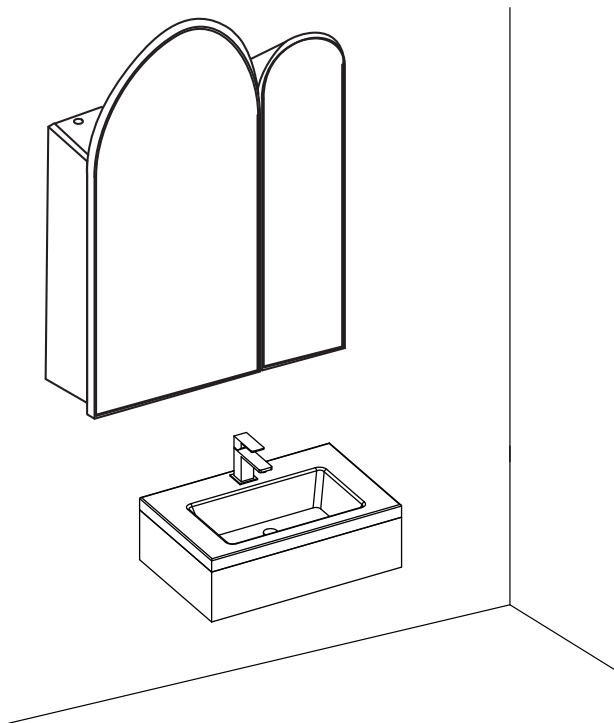
### | Step4

Hammer the "H2" and F into the drilled hole.



## Step 5

Hang the medicine cabinet on the wall.



⚠ If the cabinet does not fit the wall after the hanger is installed, adjust the two cross screws on the back of the hanger. please refer to last page details.

