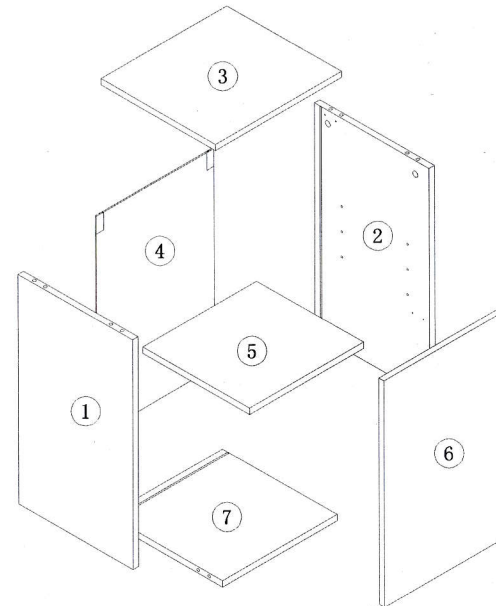
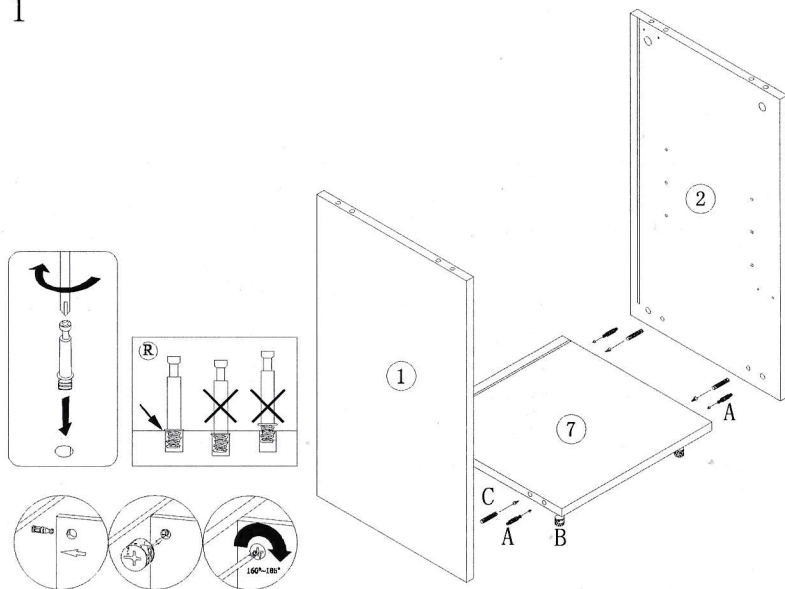


A 8PCS	B 8PCS	C 8PCS
D 14PCS	E 2PCS	F 1PC
G 2PCS	H 4PCS	I 4PCS
J 4PCS	K 4PCS	

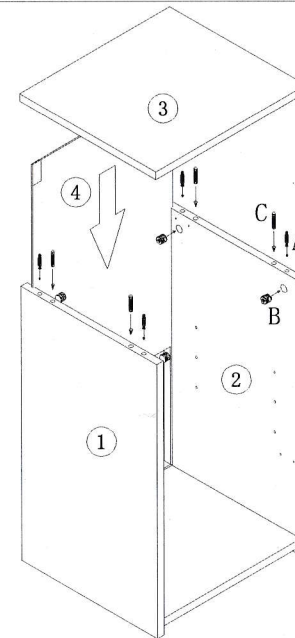


1



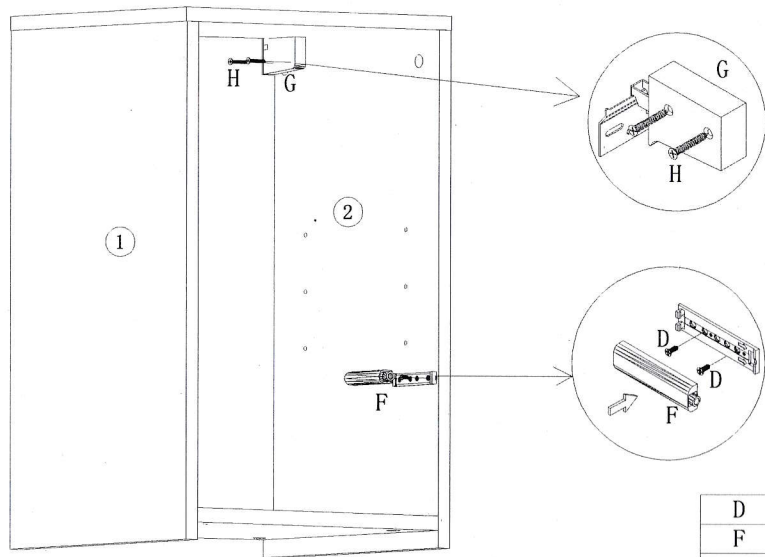
A	4PCS
B	4PCS
C	4PCS

2



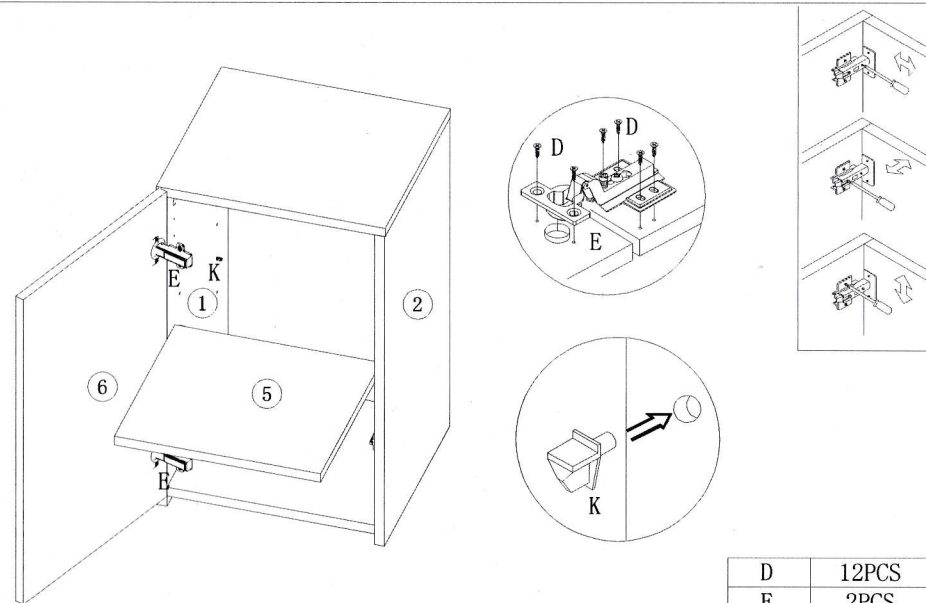
A	4PCS
B	4PCS
C	4PCS

3



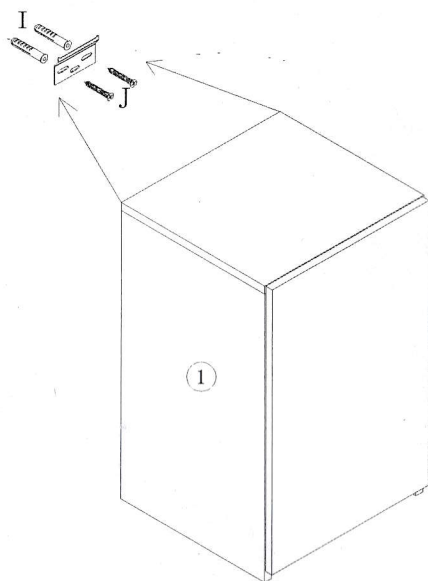
D	2PCS
F	1PC
G	2PCS
H	4PCS

4



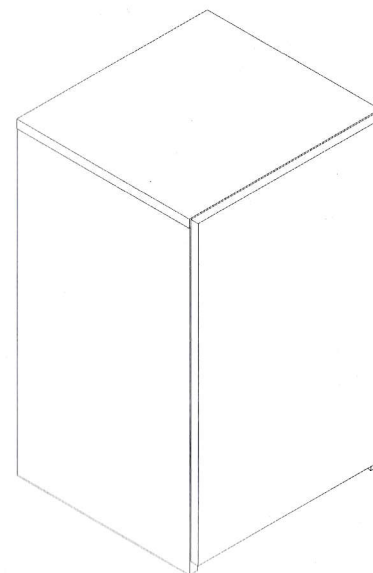
D	12PCS
E	2PCS
K	4PCS

5

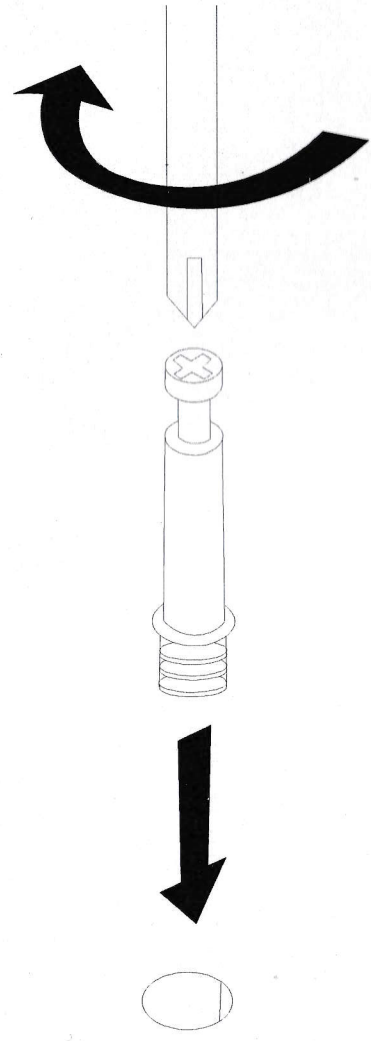


I	4PCS
J	4PCS

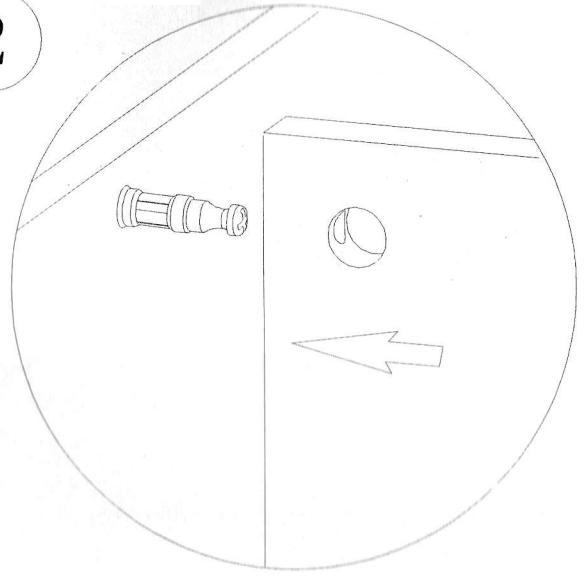
6



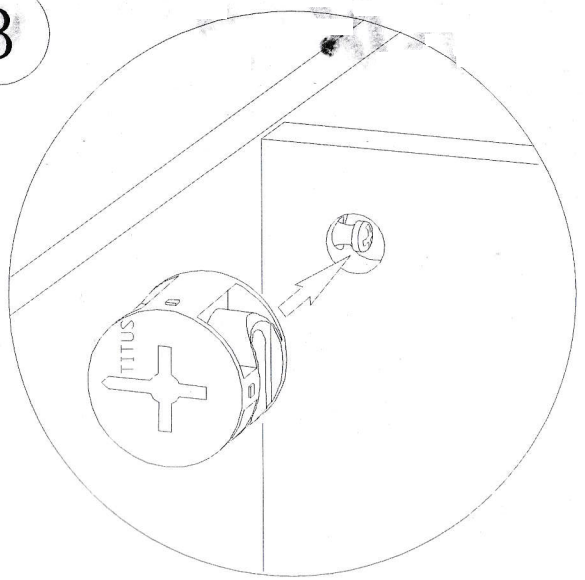
1



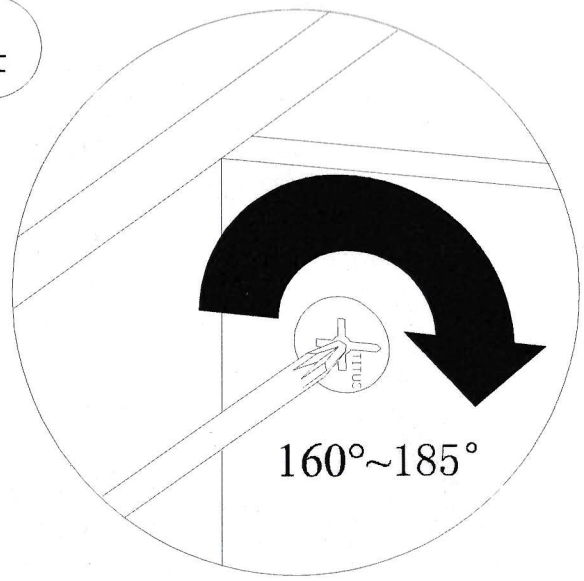
2



3



4



5

