



D COR CLASSIC OVAL DR4LC



If you need assistance, please call 1-877-ENCLUME
Enclume Design Products
24 Colwell Street, Port Hadlock, WA 98339

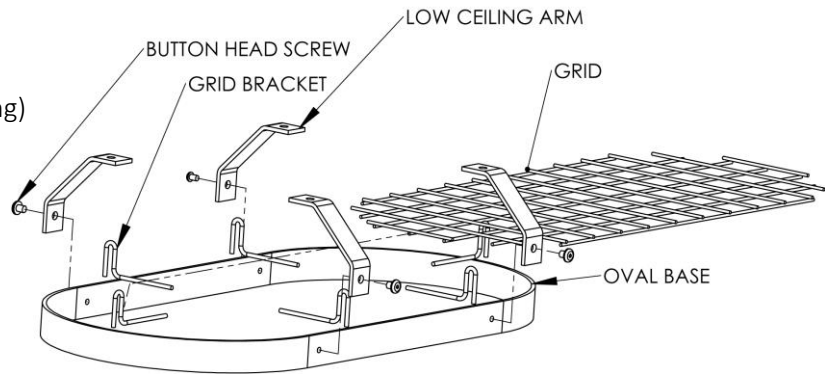
Enclosed you will find everything needed for the assembly and use of your pot rack. Two people make assembly and installation easier. The hardware and rack components included are:

Hardware included:

- 4 – 5/16" x 1/2" Button Head Screws
- 4 – 2" Lag Screws (for wood mounting)
- 1-4 point, 1/4" Toggler Set (for dry wall mounting)
- 3/16" Allen Wrench

Rack Components included:

- 4 – Low Ceiling Arms
- 1 – Rack Body Oval
- 1 – Hanging Grid
- 6 – Grid Brackets, EGB
- 12 – Straight Pot Hooks, EPHS



ASSEMBLY AND INSTALLATION INSTRUCTIONS

- 1) Place your rack components and hardware on a flat surface. Carefully compare these materials to those listed above. If you are missing an item please call us and we will promptly send you what you need.
- 2) First, locate the four low ceiling arms. Using the four 5/16" x 1/2" button head screws attach the arms to the outside of the rack body oval – as shown in the assembly diagram. Do not fully tighten the button head screws at this time. Note that the Enclume medallion should be facing up on the outside of the rack body.
- 3) Now place the rack on a flat surface to level and set the arms to straight -- then tighten all screws to final positions.
- 4) To mount your rack on a ceiling with wood joists above - holding your rack against the ceiling, drive the four lag screws through the holes in the arm brackets and into wood joists. These lag screws must be driven into the solid wood of the joists.
- 5) To mount your rack on a ceiling of dry wall or sheetrock -- Use the enclosed Toggler mounting set. Per the instructions, insert the four togglers into the ceiling and secure. Then holding your rack against the ceiling, insert the four machined screws through the holes in the arm brackets and into the Toggler mounting holes. The Toggler System will safely hold your rack and several hundred pounds of cookware
- 6) Place the four grid brackets over the sides of the rack, just inside each of the low ceiling arm brackets with the straight end of the brackets facing towards the inside of the rack. Next place the grid on top of the grid brackets and distribute the hooks on the rack.
- 7) Note: The grid should be placed on the grid brackets so that the grid crossbars that extend the width of grid are facing down. This will help to keep grid from sliding out of position when rack is in use.
- 8) **Your rack is now ready for use!** Hang your heavier items on the straight portion of the rack body or the center of the grid area.

WARNING: It is important that your rack is assembled correctly. If the unit is assembled or used incorrectly, it could become unstable and collapse, possibly causing injury.

LIMITED WARRANTY: This product is warranted to be free of material defects, other than that from normal use, for a period of five years from the date of purchase. Customer's exclusive remedy shall be the repair or replacement of the defective product and shall be subject to the following conditions: (1) notice of any defect is received by Enclume within the warranty period and (2) customer returns the defective product to Enclume Design Products, 24 Colwell St., Port Hadlock, WA 98339, postage prepaid within 20 days following a return authorization number (which may be obtained by telephoning the number at the top of this instructions) being provided to the customer by Enclume. There are no other warranties, expressed or implied. THERE ARE NO WARRANTIES OF MERCHANTABILITY OR FITNESS FOR A PARTICULAR PURPOSE. ENCLUME SPECIFICALLY DISCLAIMS ANY AND ALL INCIDENTAL OR CONSEQUENTIAL DAMAGES ARISING OUT OF THE PURCHASE OR USE OF ENCLUME'S PRODUCTS.