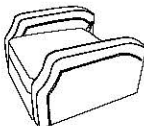

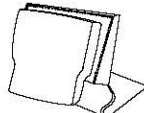







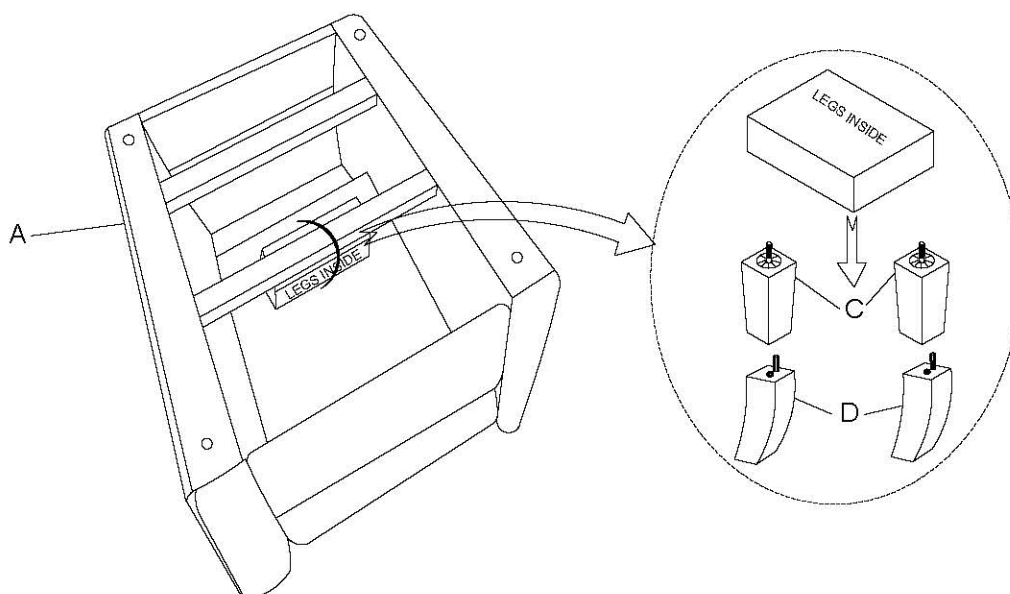
# ASSEMBLY INSTRUCTIONS

## PUSH BACK RECLINING CHAIR

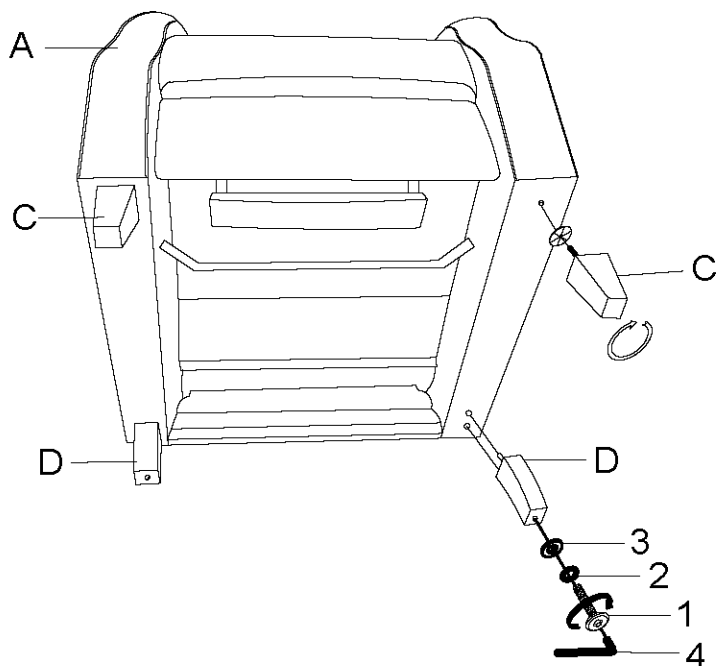
Note: legs and hardware are packed and stored in the bottom of the seat, please take out for assembly.

PART	DRAWING	DESCRIPTION	QTY	PART	DRAWING	DESCRIPTION	QTY
A		SEAT	1 PC	1		BOLT (Ø5/16" *3")	2 PCS
B		BACK	1 PC	2		SPRING WASHER (Ø5/16")	2 PCS
C		FRONT LEG	2 PCS	3		FLAT WASHER (Ø5/16")	2 PCS
D		REAR LEG	2 PCS	4		ALLEN KEY (M4)	1 PC

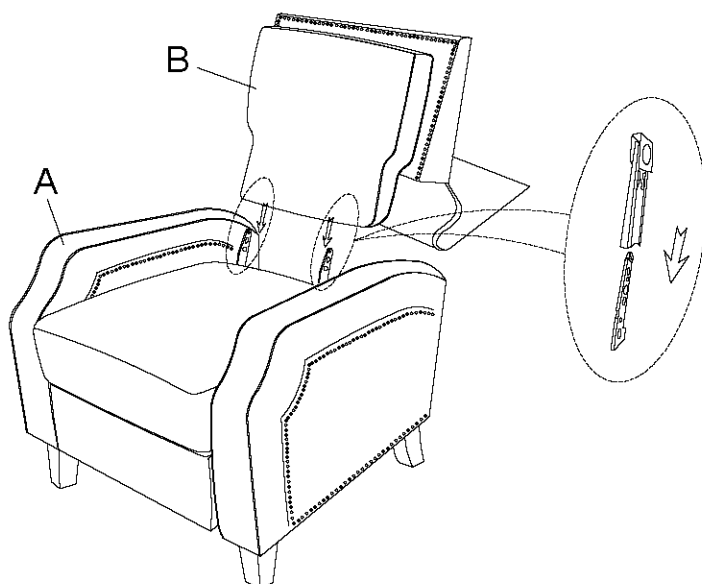
### STEP 1:



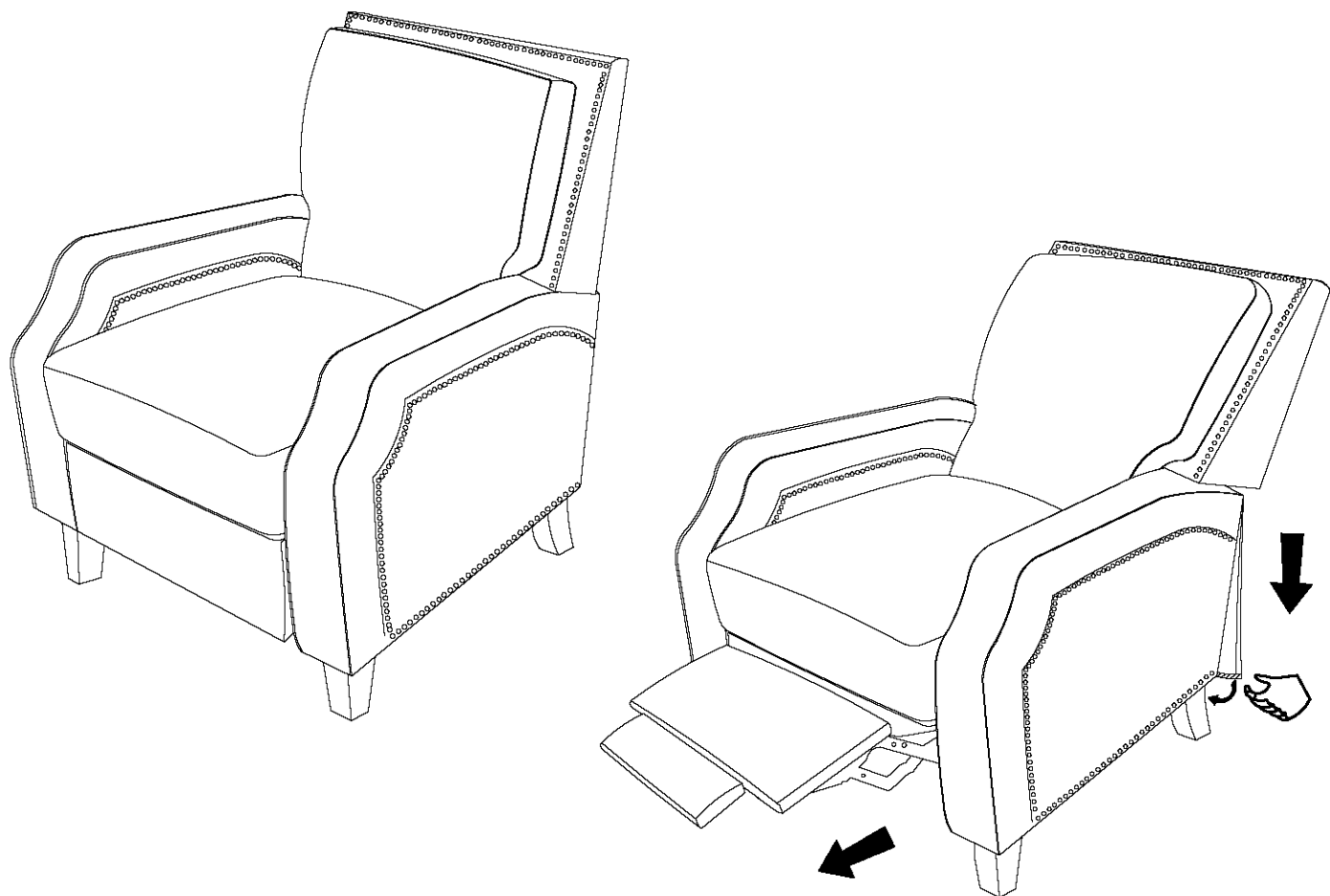
## STEP 2:



## STEP 3:



## STEP 4: COMPLETED



### CARE INSTRUCTION FOR FABRIC FURNITURE

In order to maintain the original appearance of your furniture, please follow below care procedures.

°Avoid exposing furniture directly to sunlight or heating and air conditioning outlets. Sunlight and / or exposure to heating and air conditioning outlets will fade/damage fabric. Do not place your upholstered furniture too close to windows, radiators, vents and be sure to use window treatments to block the sun's rays.

°Wipe with a soft brush to remove dust.