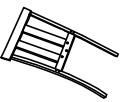

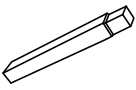






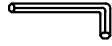



# ASSEMBLY INSTRUCTIONS

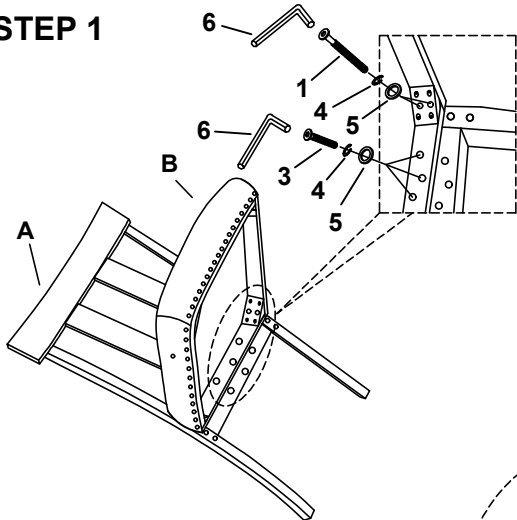
**Important note :**

- Place all wooden parts on a clean and smooth surface such as a rug or carpet to avoid scratching the parts.
- Kindly follow the assembly instructions step by step.
- Do not tighten all screws and bolts until the chair is fully assembled.

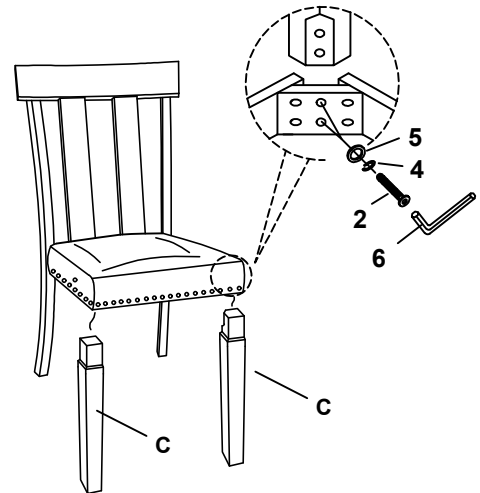
PARTS LIST			
NO	DESCRIPTION	SRETCH	QTY
A	CHAIR BACK		1 Pc
B	SEAT FRAME		1 Pc
C	CHAIR LEG		2 Pcs
D	ARM CHAIR		2 Pcs

HARDWARE LIST			
NO	DESCRIPTION	SRETCH	QTY
1	BOLT (LONG)		4 Pcs
2	BOLT (MEDIUM)		4 Pcs
3	BOLT (SHORT)		5 Pcs
4	SPRING WASHER		13 Pcs
5	FLAT WASHER		13 Pcs
6	ALLEN KEY		1 Pc
7	SCREW		2 Pcs

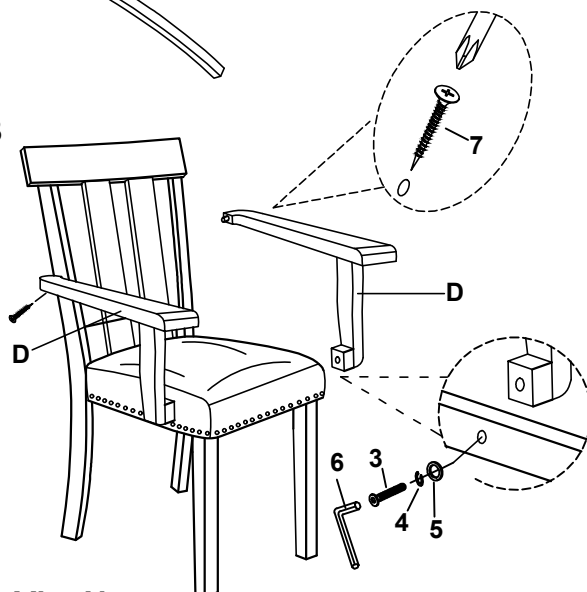
**STEP 1**



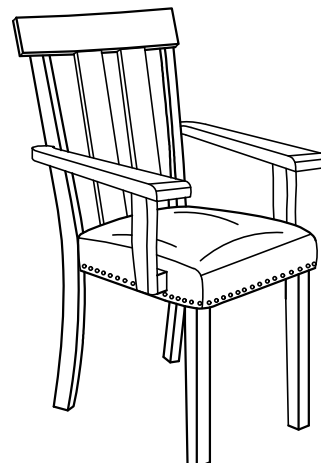
**STEP 2**



**STEP 3**



**STEP 4**



Made in Viet Nam