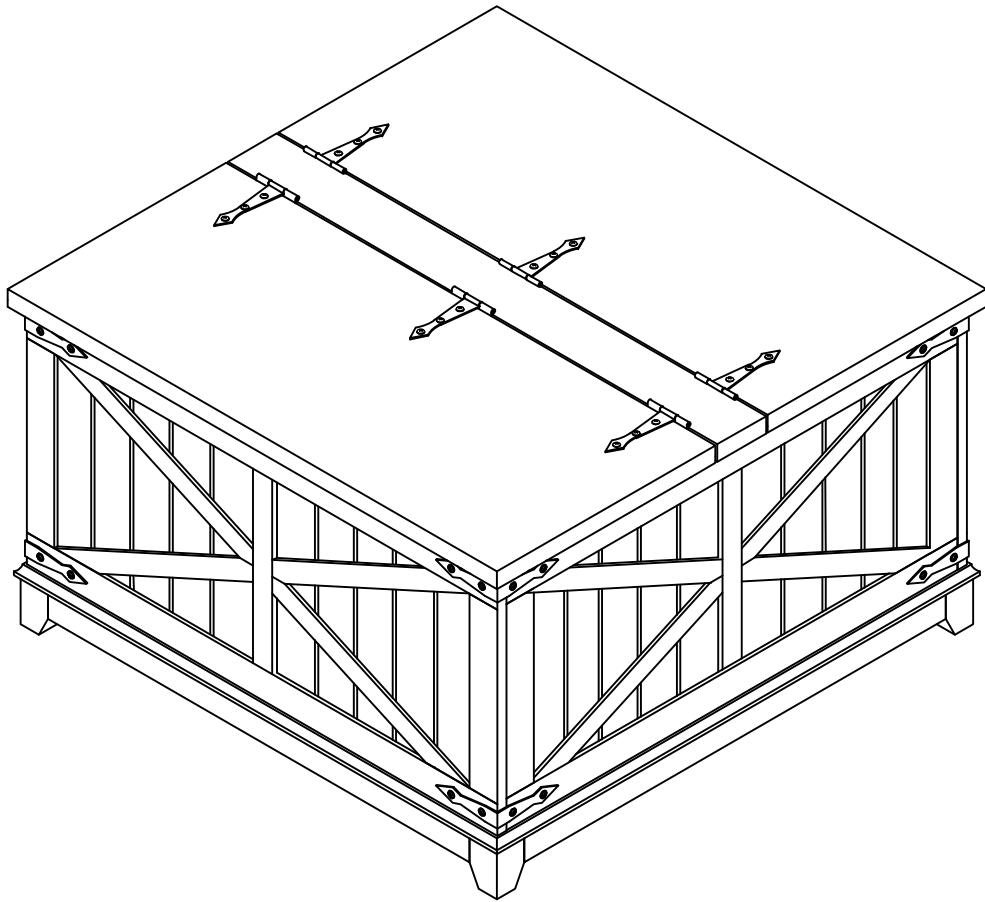
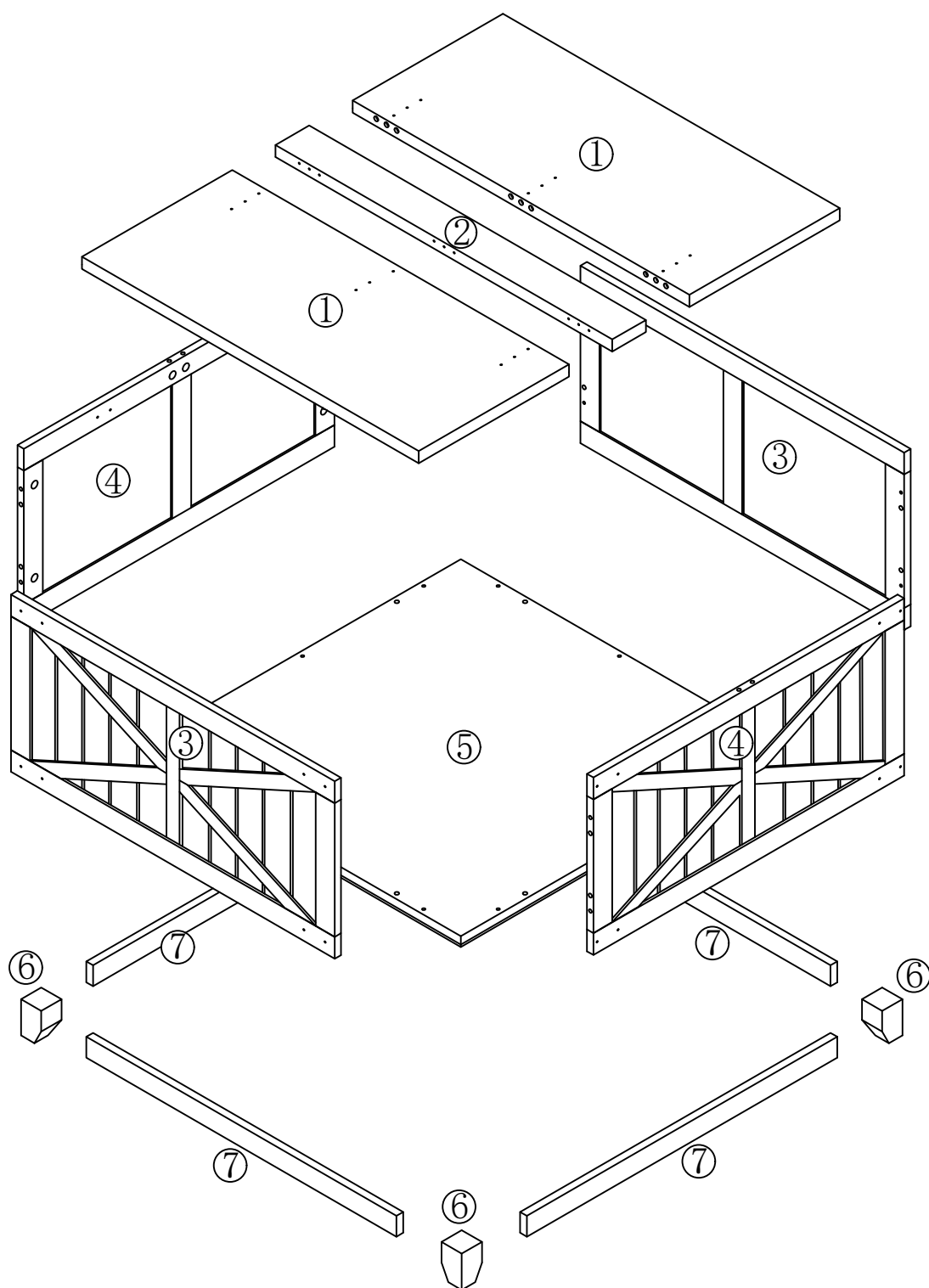


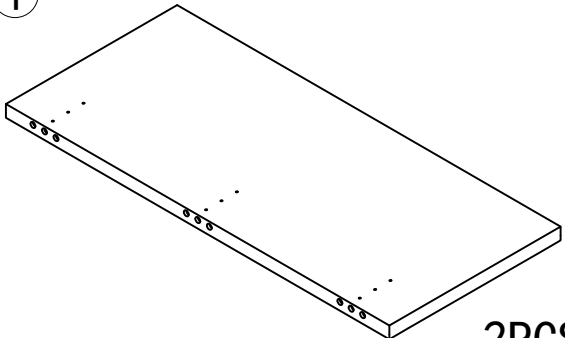
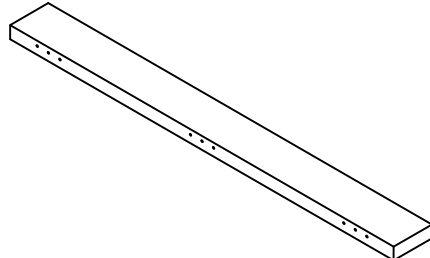
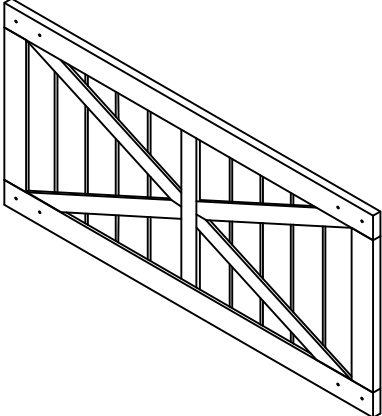
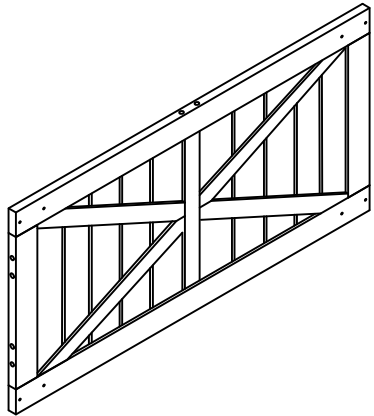
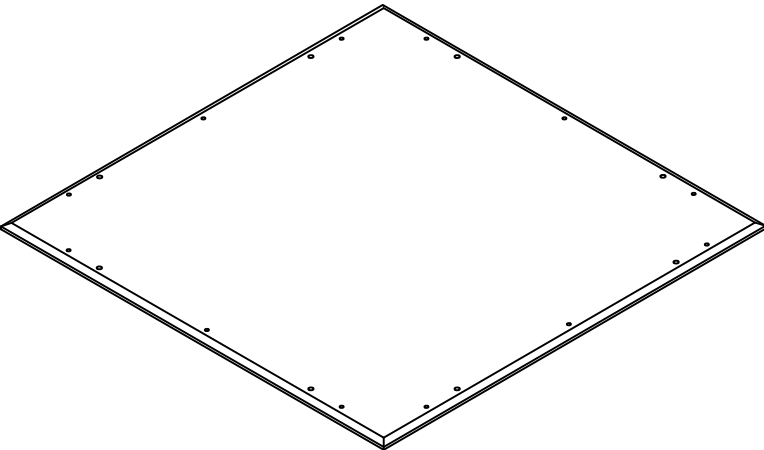

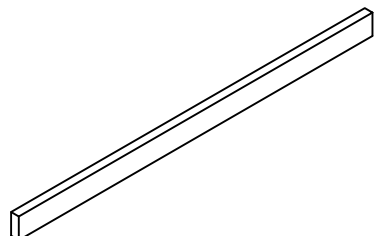
Assembly Instructions







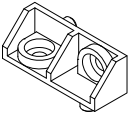
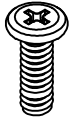
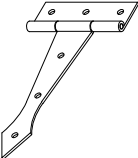
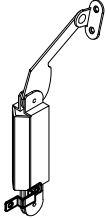
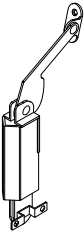

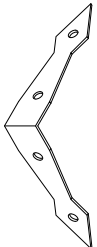




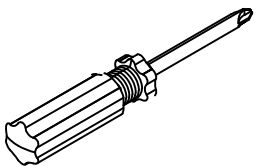
PART LIST



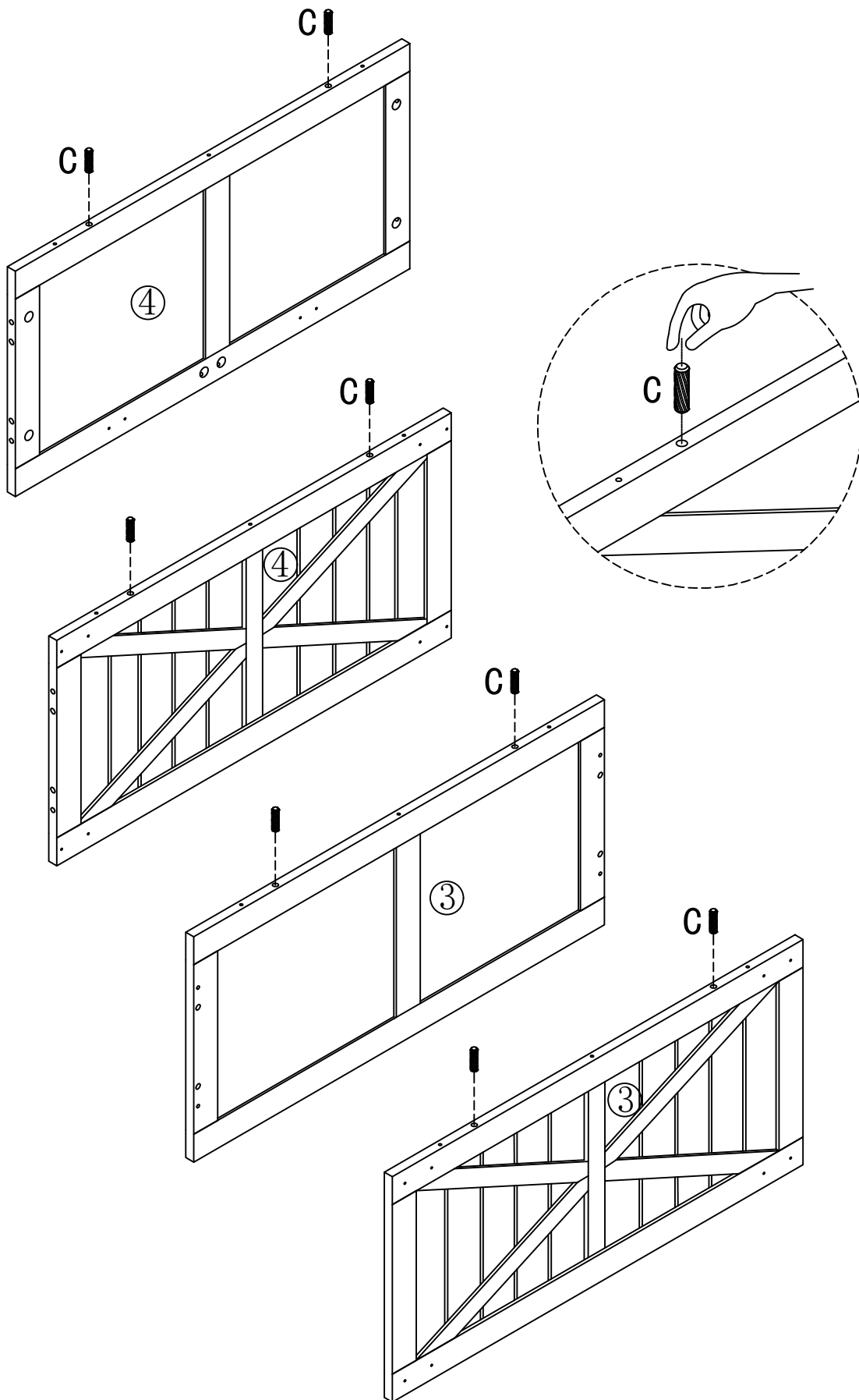
PART LIST


<p>①</p>  <p>2PCS</p>	<p>②</p>  <p>1PCS</p>
<p>③</p>  <p>2PCS</p>	<p>④</p>  <p>2PCS</p>
<p>⑤</p>  <p>1PCS</p>	
<p>⑥</p>  <p>4PCS</p>	<p>⑦</p>  <p>4PCS</p>

HARDWARE LIST

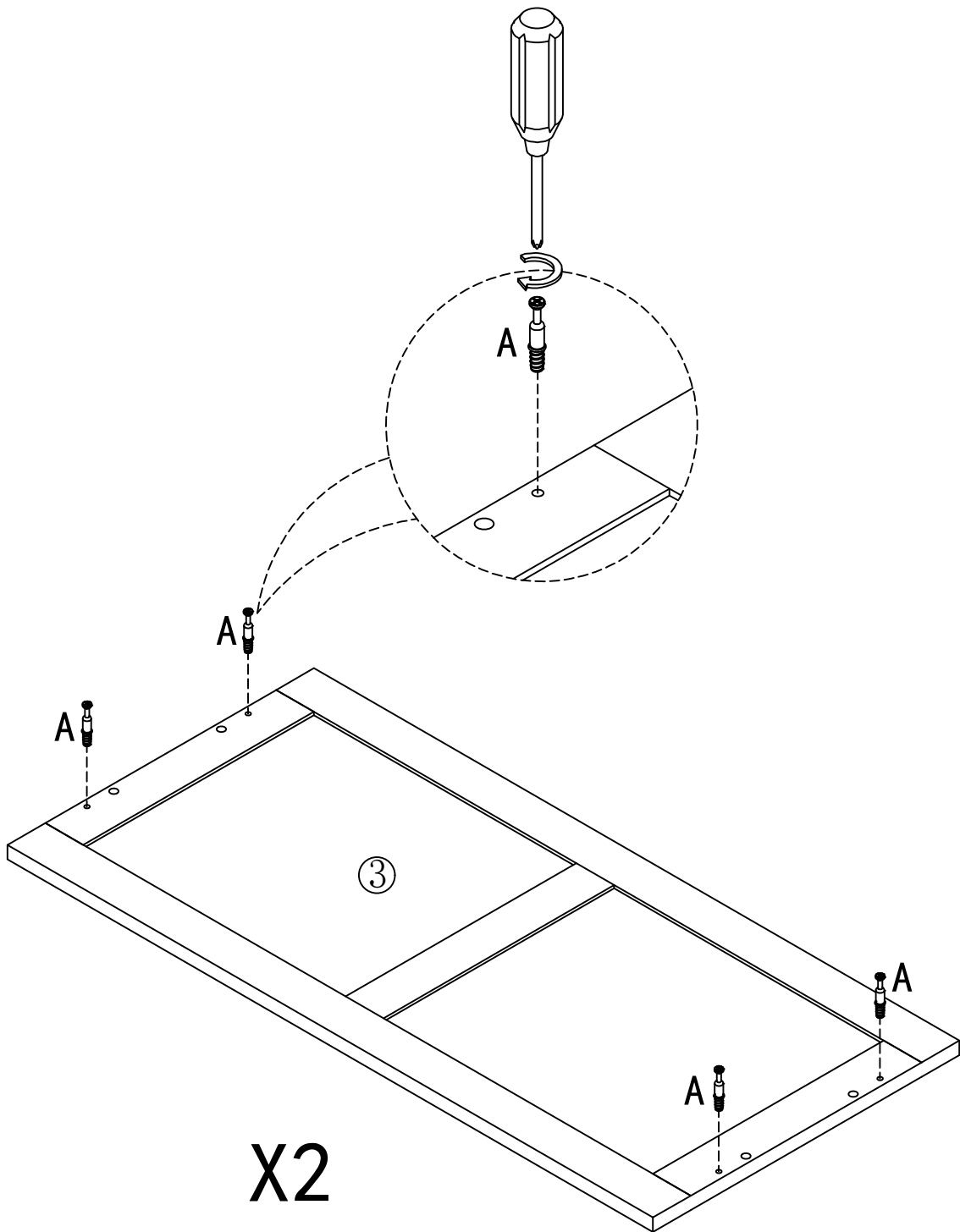
<p>A</p>  <p>$\phi 6 \times 35$ (20+1)PCS</p>	<p>B</p>  <p>$\phi 15 \times 11.5$ (20+1)PCS</p>	<p>C</p>  <p>$\phi 8 \times 30$ (24+1)PCS</p>
<p>D</p>  <p>$\phi 5 \times 40$ (12+1)PCS</p>	<p>E</p>  <p>12PCS</p>	<p>F</p>  <p>$\phi 6 \times 12$ (24+2)PCS</p>
<p>G</p>  <p>6PCS</p>	<p>H</p>  <p>2PCS</p>	<p>I</p>  <p>2PCS</p>
<p>J</p>  <p>$\phi 3.5 \times 14$ (56+4)PCS</p>	<p>K</p>  <p>8PCS</p>	<p>L</p>  <p>$\phi 4 \times 12$ (32+2)PCS</p>
<p>M</p>  <p>2PCS</p>	<p>N</p>  <p>$\phi 25$ (12+4)PCS</p>	 <p>1PCS</p>
 <p>1PCS</p>		


STEP 1



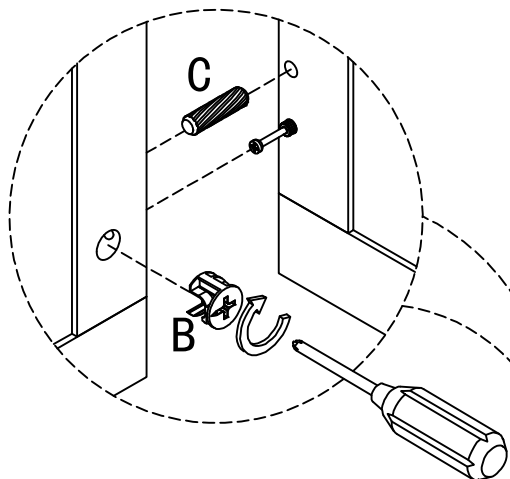
 C X 8PCS

STEP 2



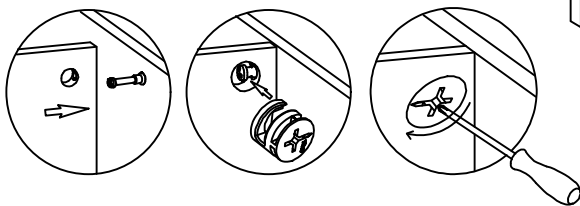
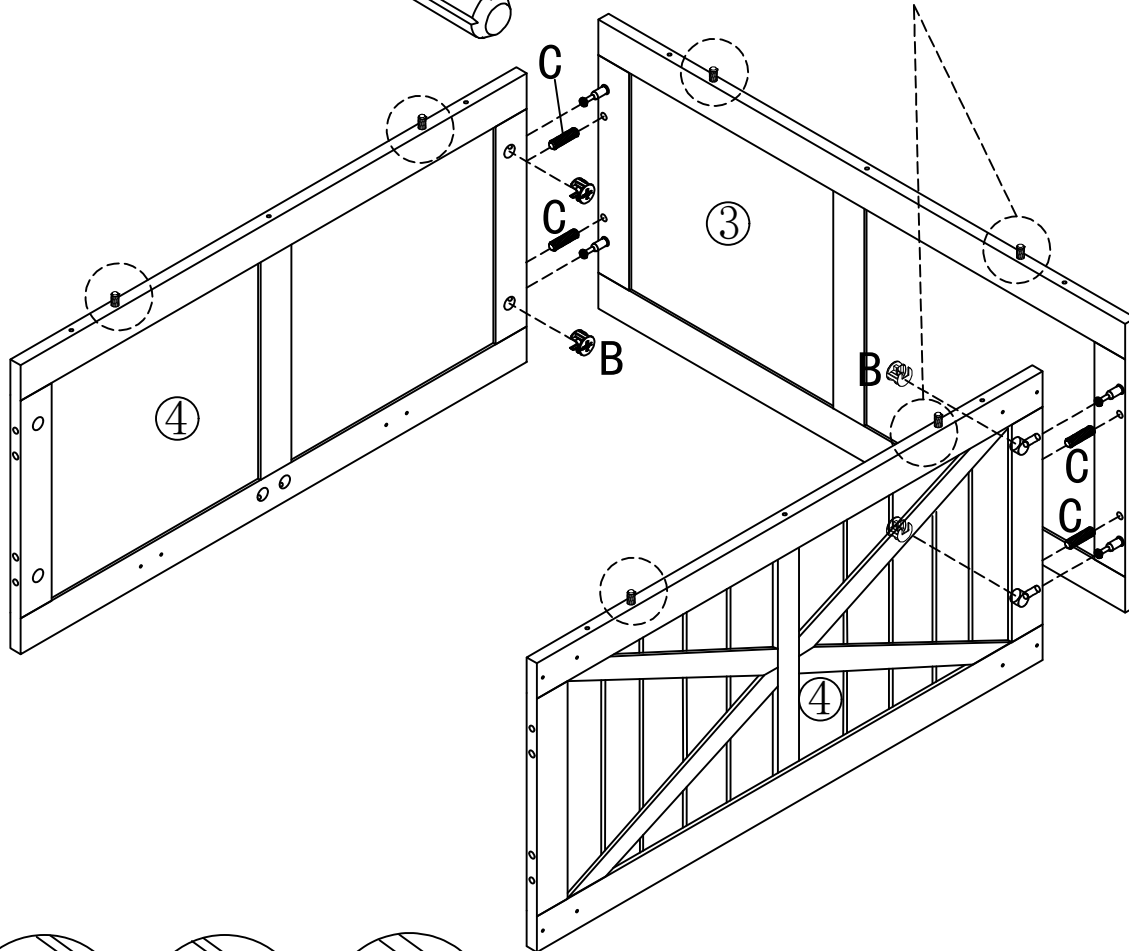
	A X 8PCS
---	----------


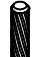
STEP 3



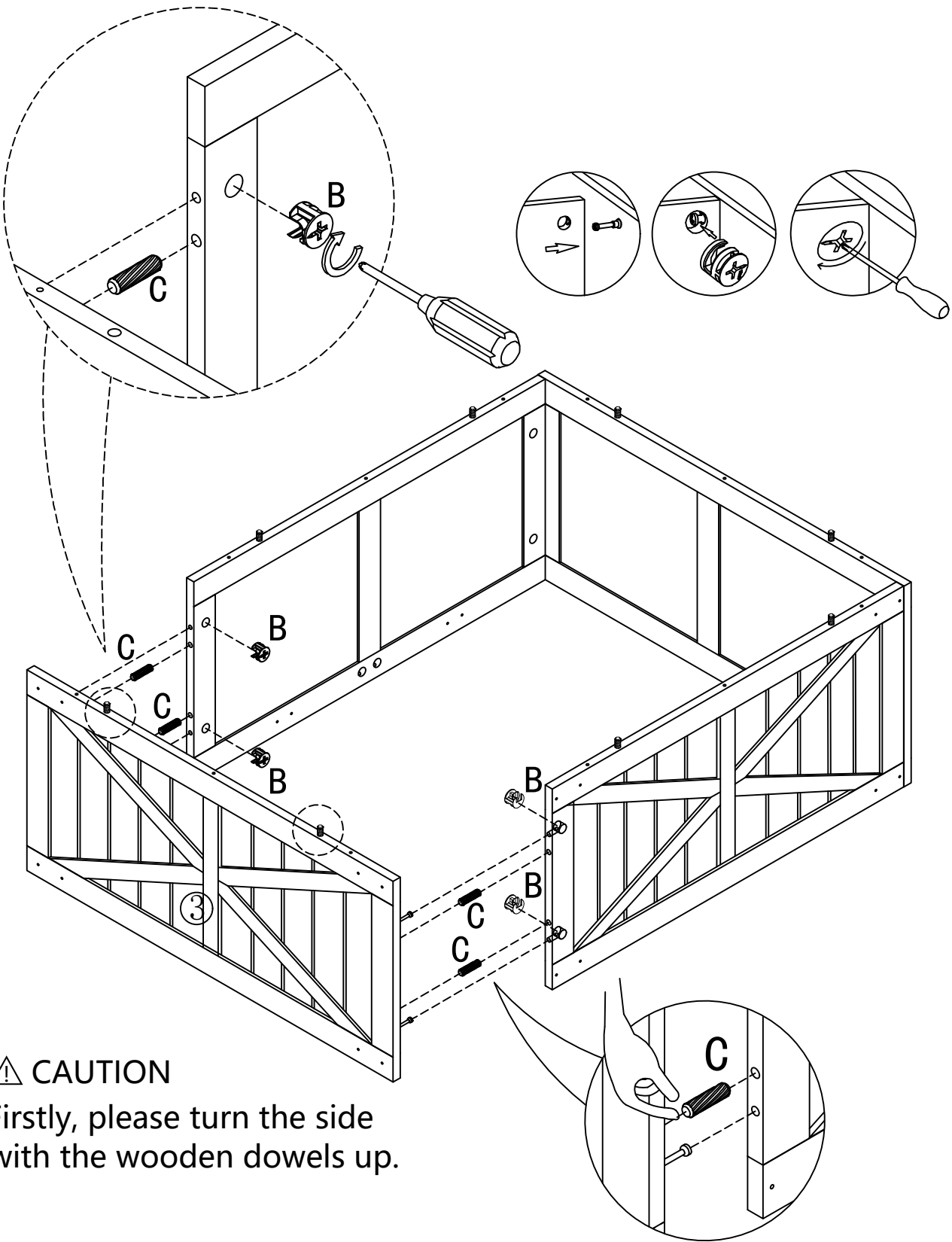
⚠ CAUTION

Firstly, please turn the side with the wooden dowels up.





	B X 4PCS
	C X 4PCS

STEP 4

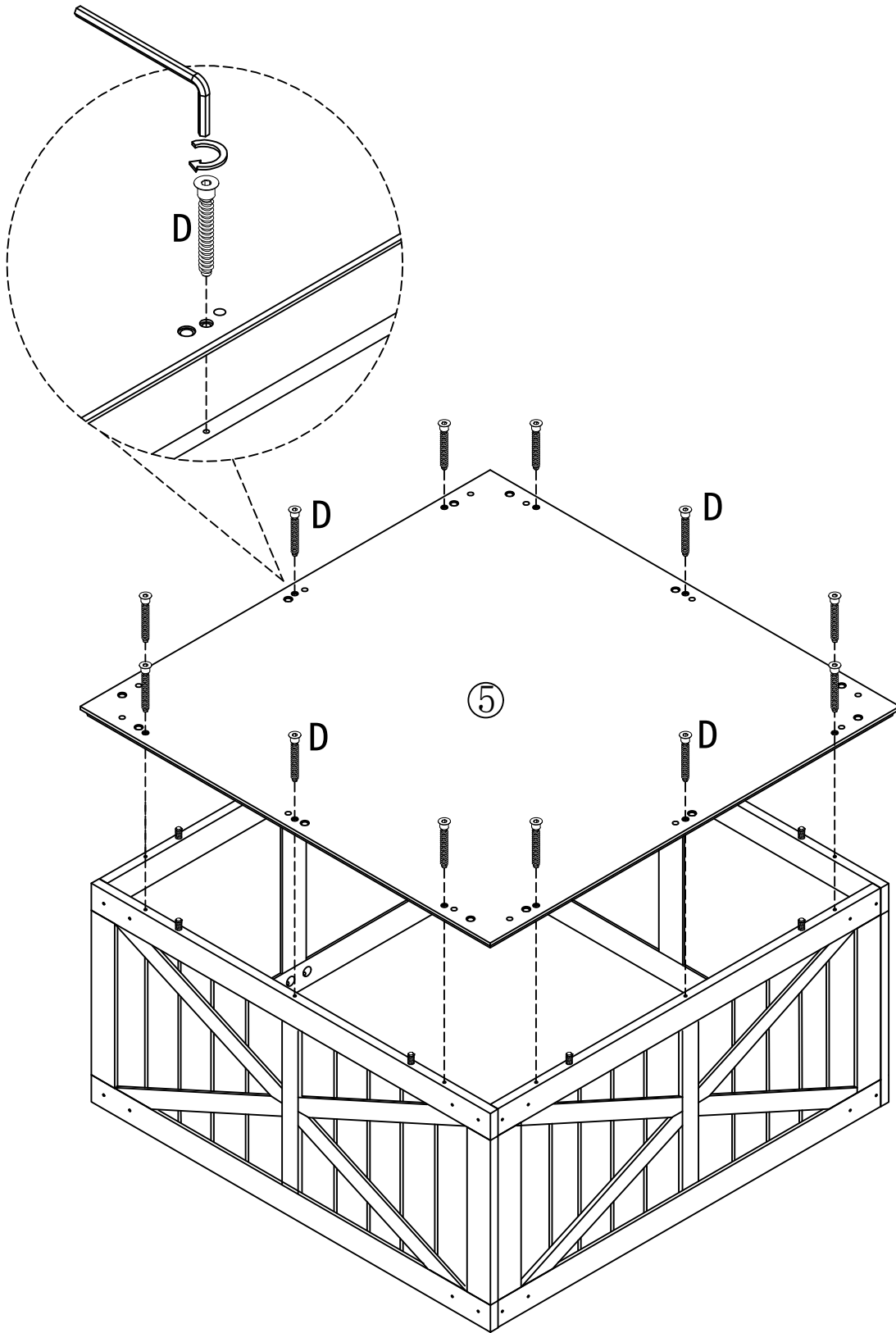



⚠ CAUTION

Firstly, please turn the side with the wooden dowels up.

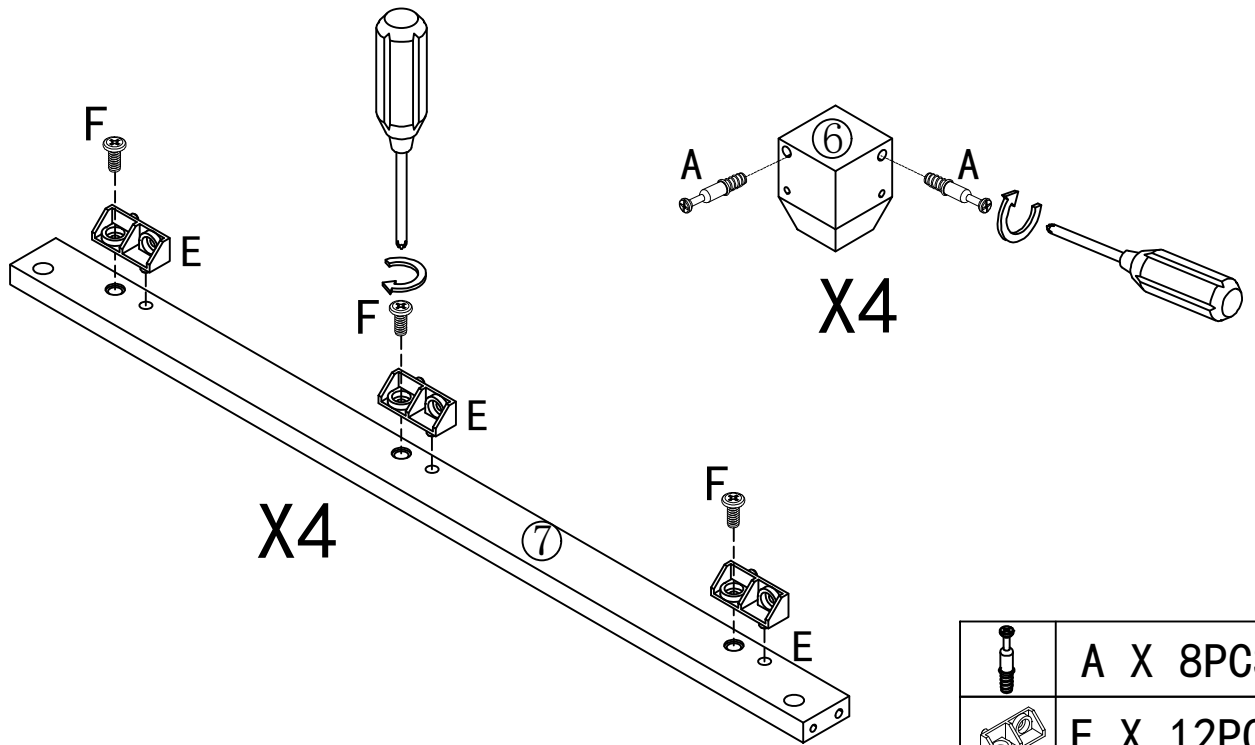
	B X 4PCS
	C X 4PCS

STEP 5



	D X 12PCS
---	-----------

STEP 6

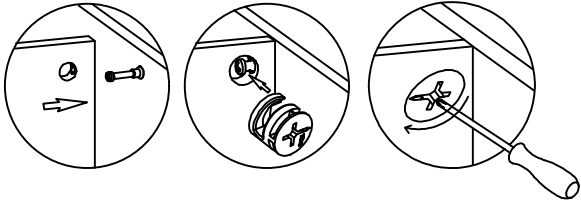
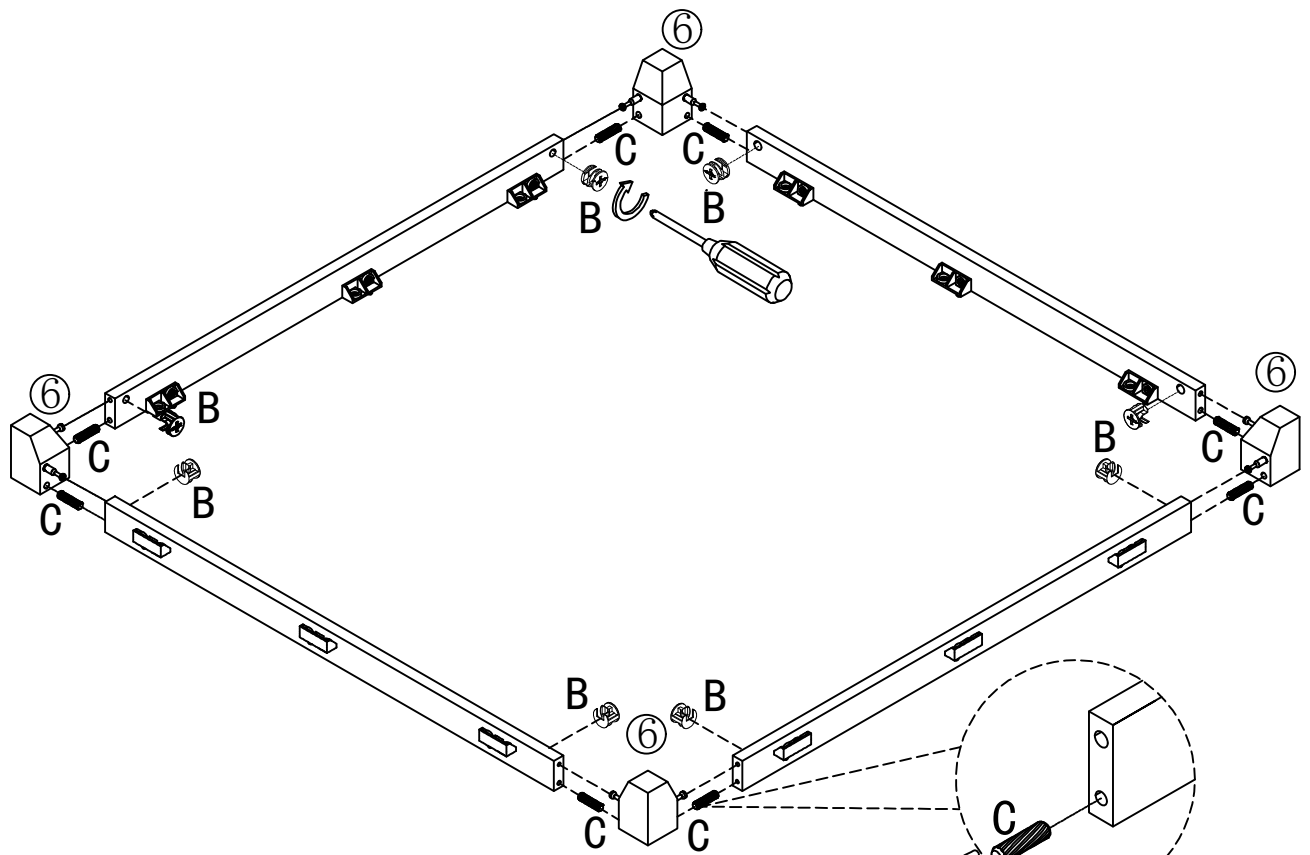


X4

X4

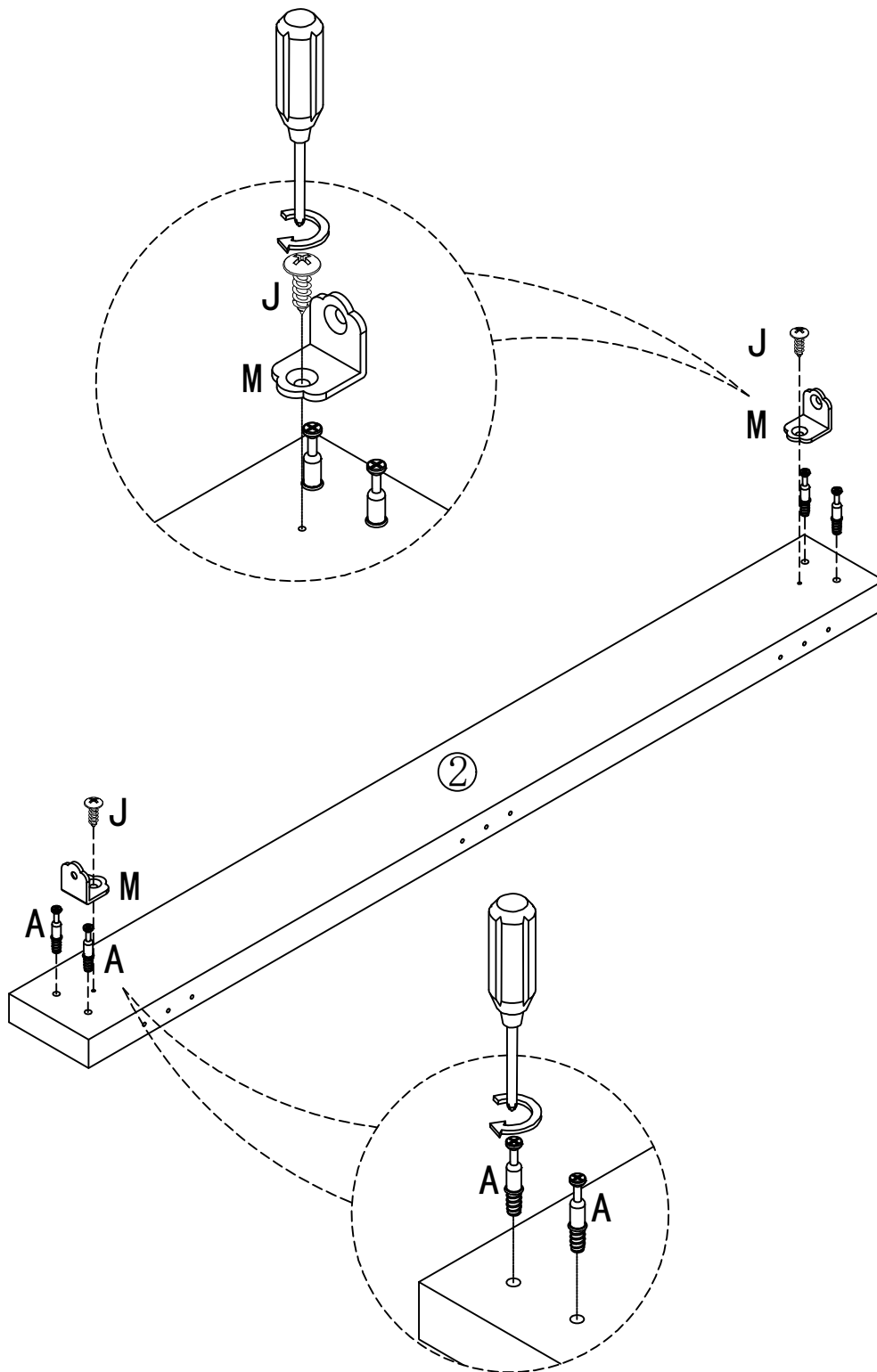
	A X 8PCS
	E X 12PCS
	F X 12PCS




STEP 7



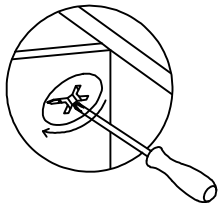
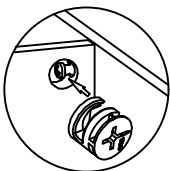
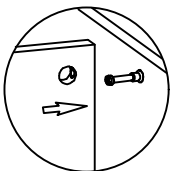
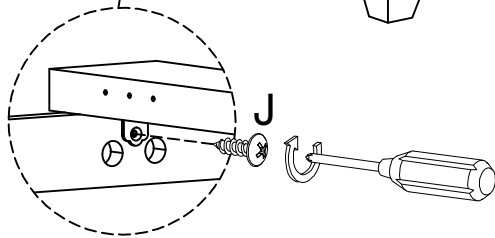
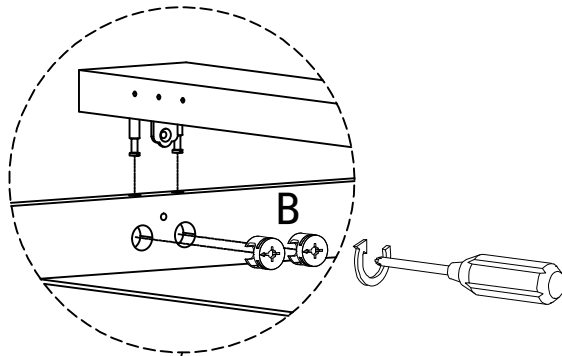
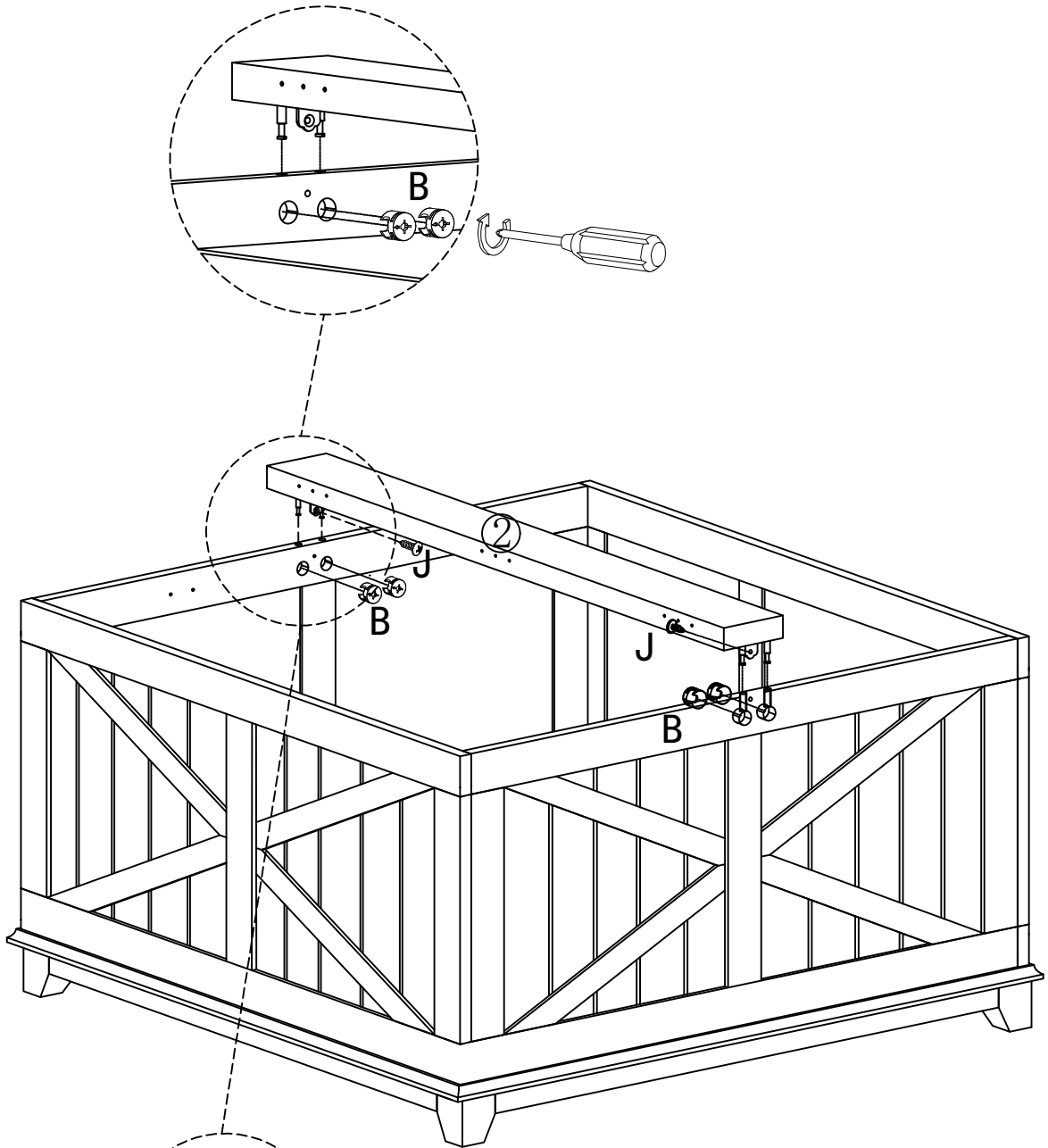
	B X 8PCS
	C X 8PCS



STEP 9



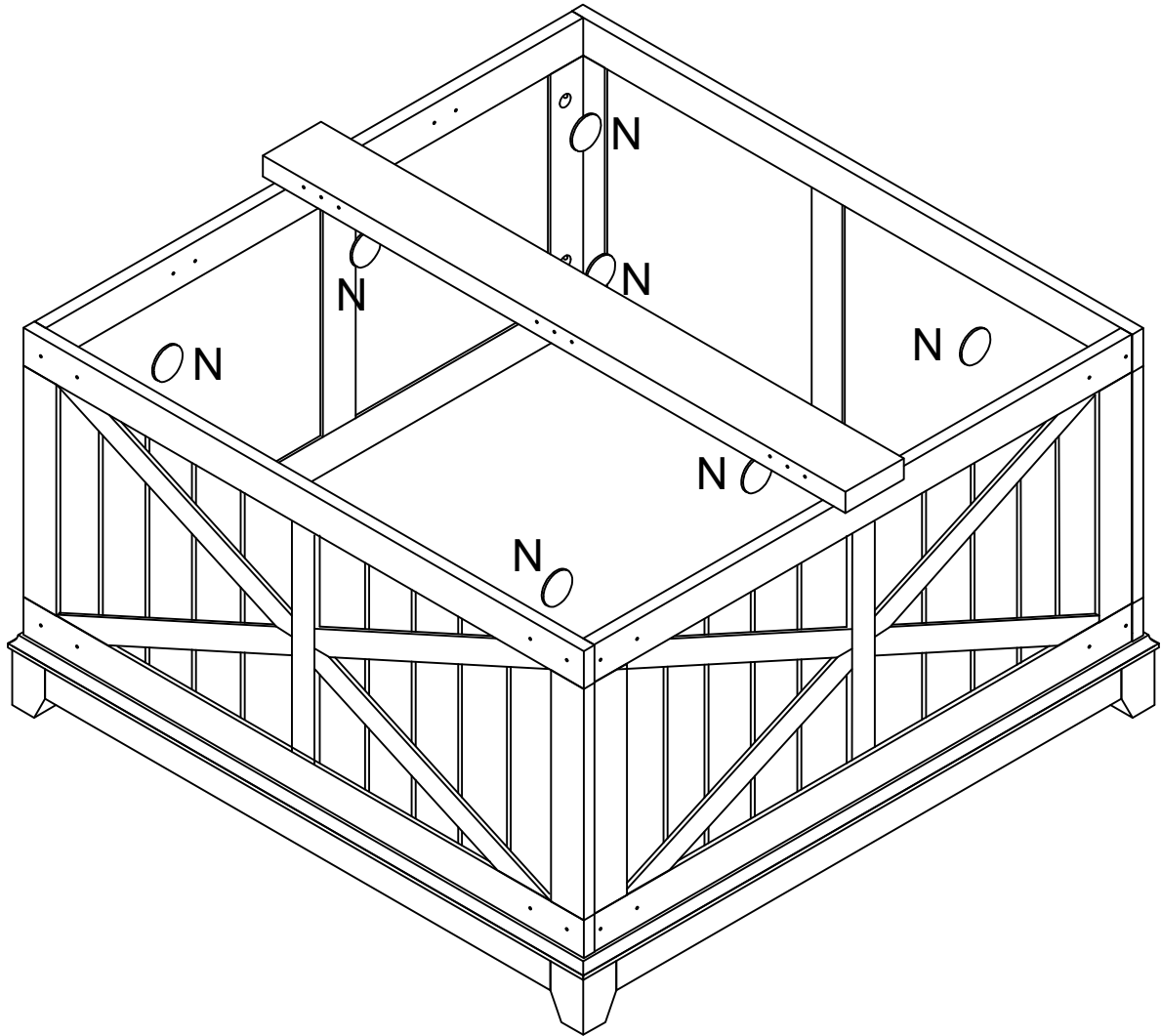
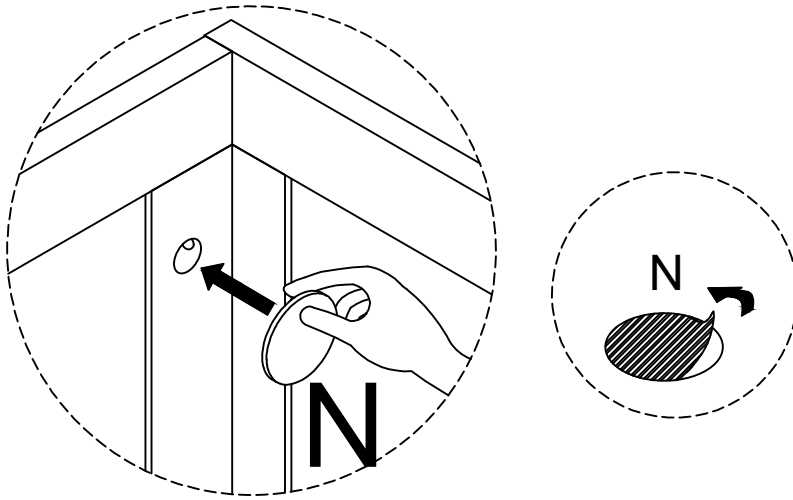
	A X 4PCS
	J X 2PCS
	M X 2PCS

STEP 10



	J X 2PCS
	B X 4PCS

STEP 11



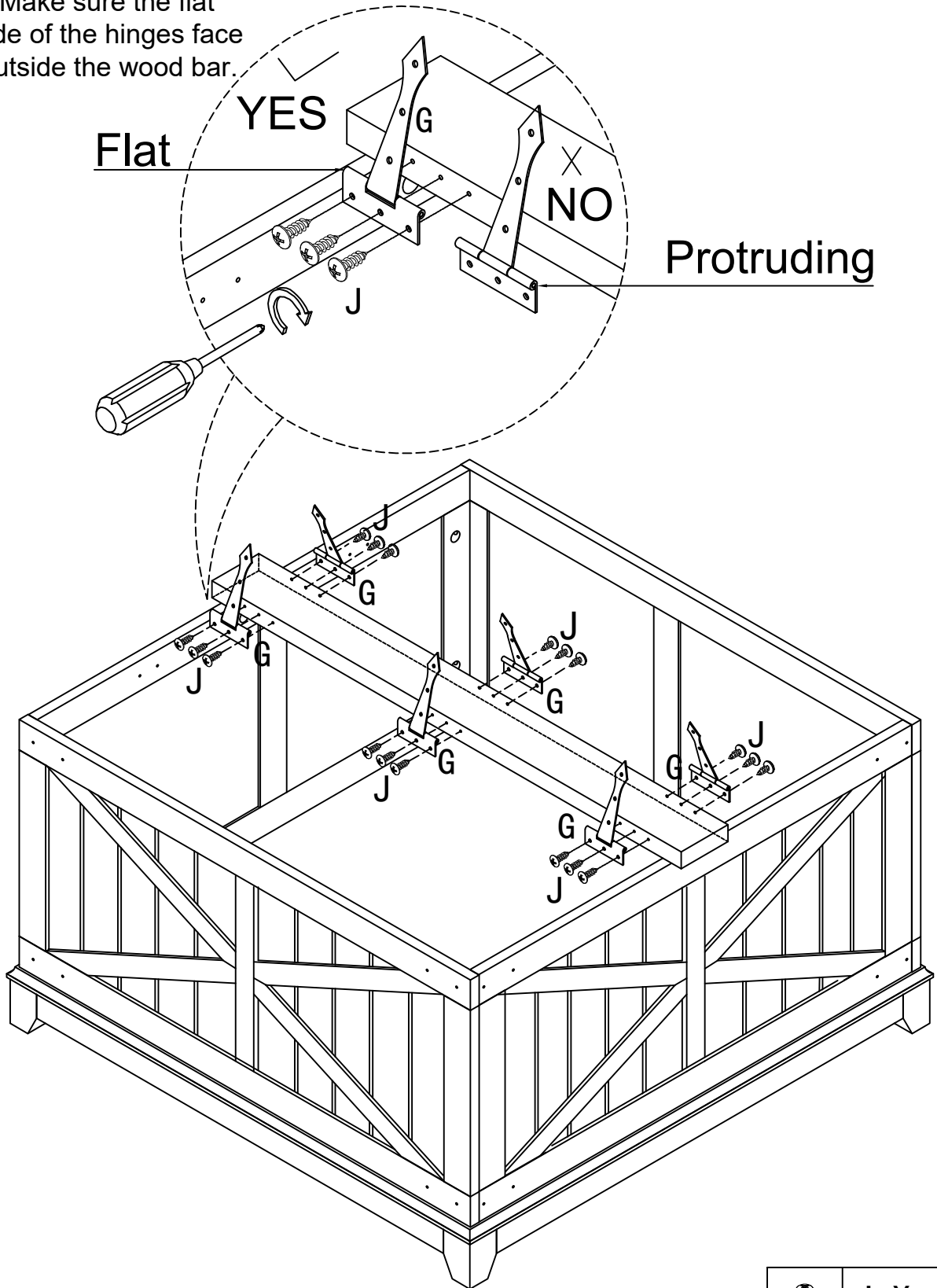
O	N X 12PCS
---	-----------



STEP 12

⚠ CAUTION

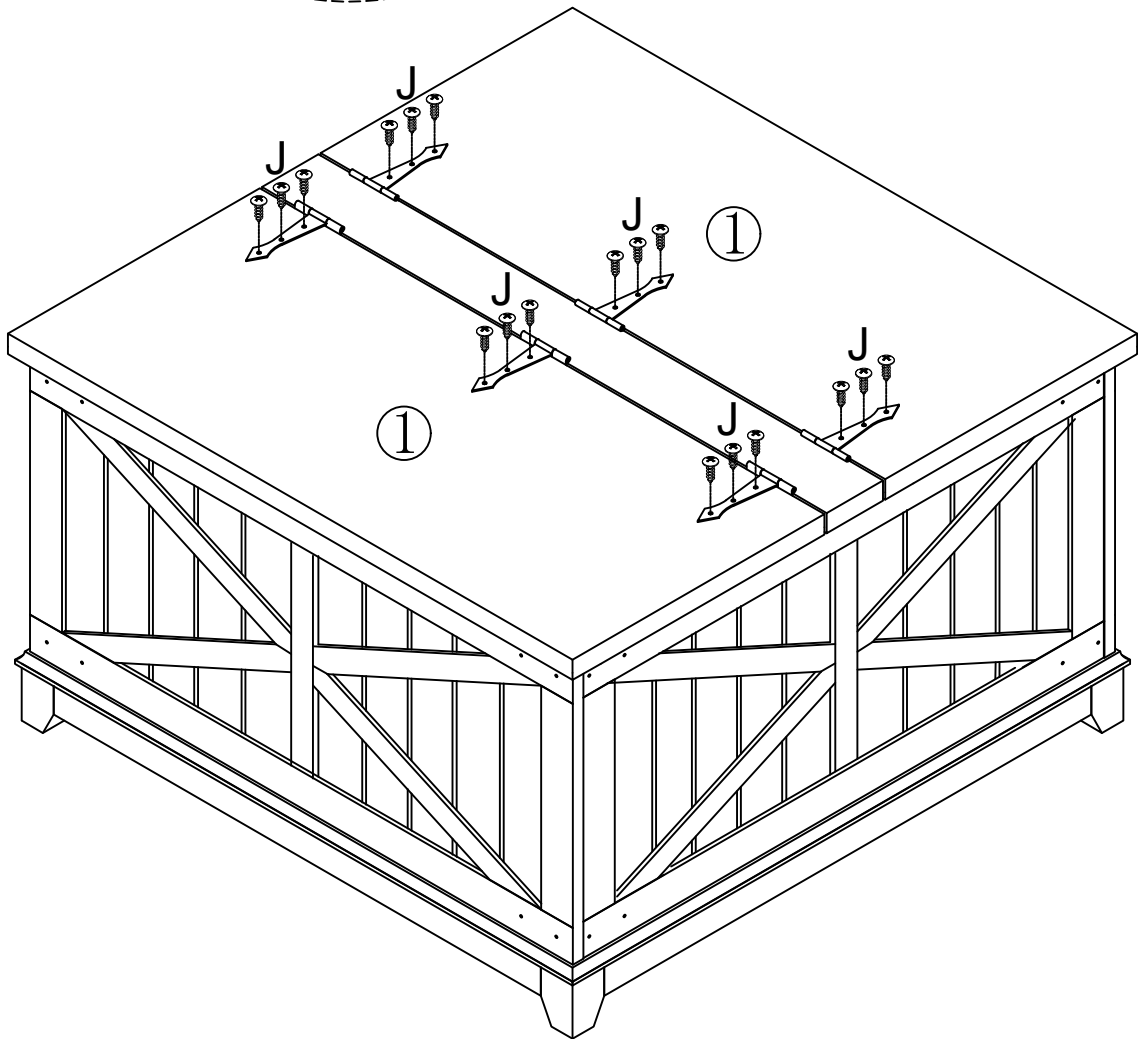
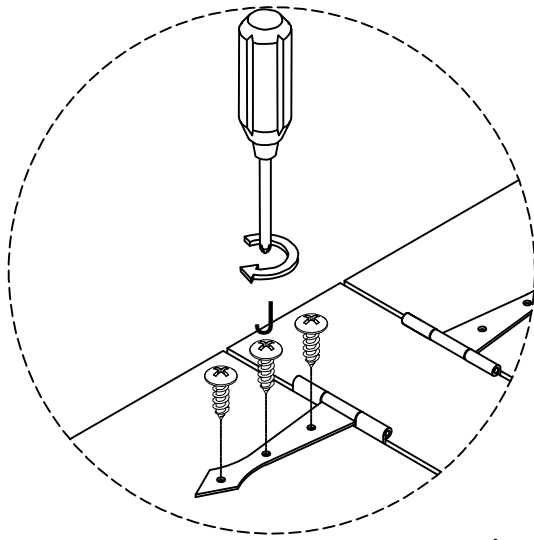
Pay attention to the direction of the hinge

Make sure the flat side of the hinges face outside the wood bar.



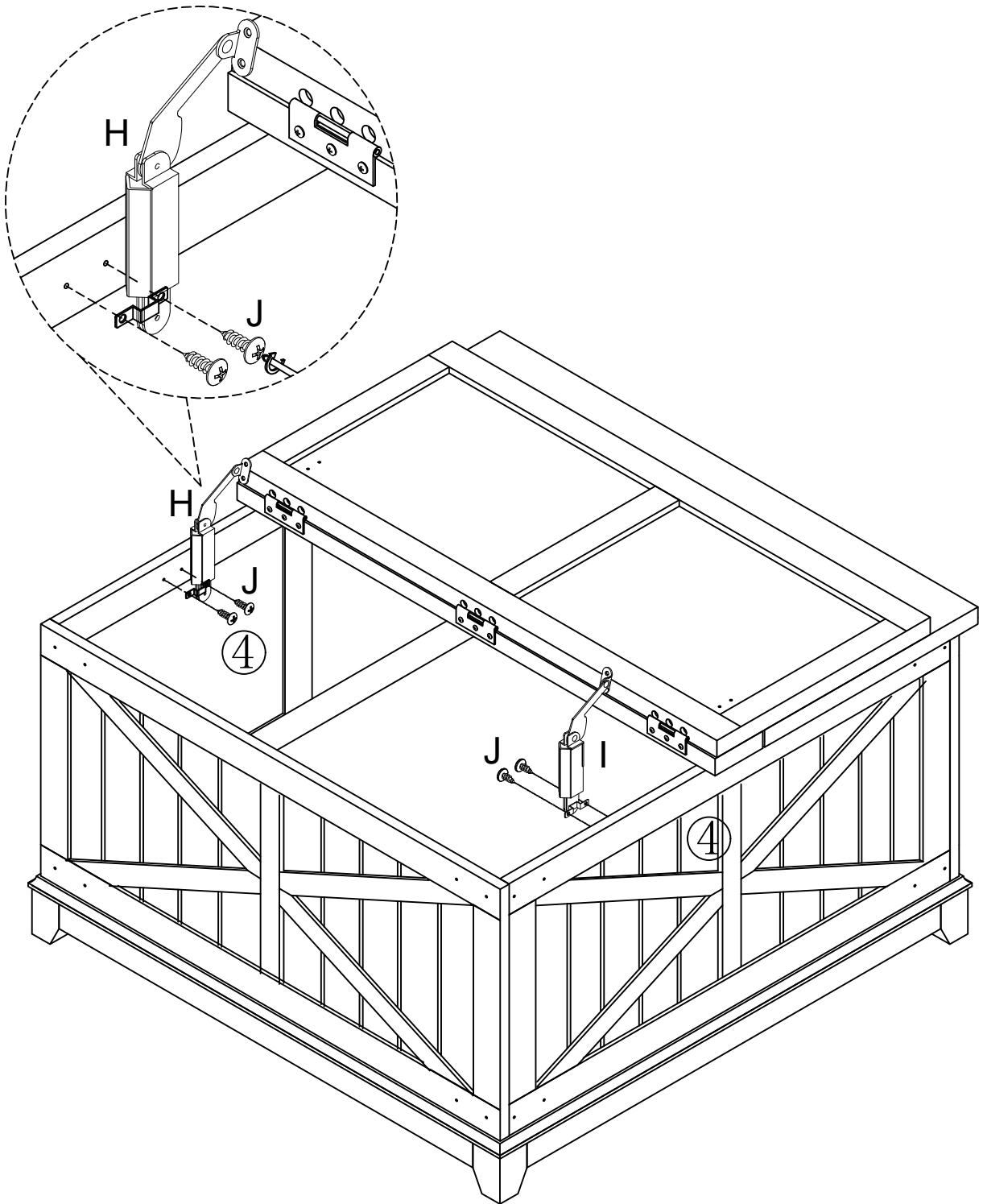
	J X 18PCS
	G X 6PCS




STEP 13



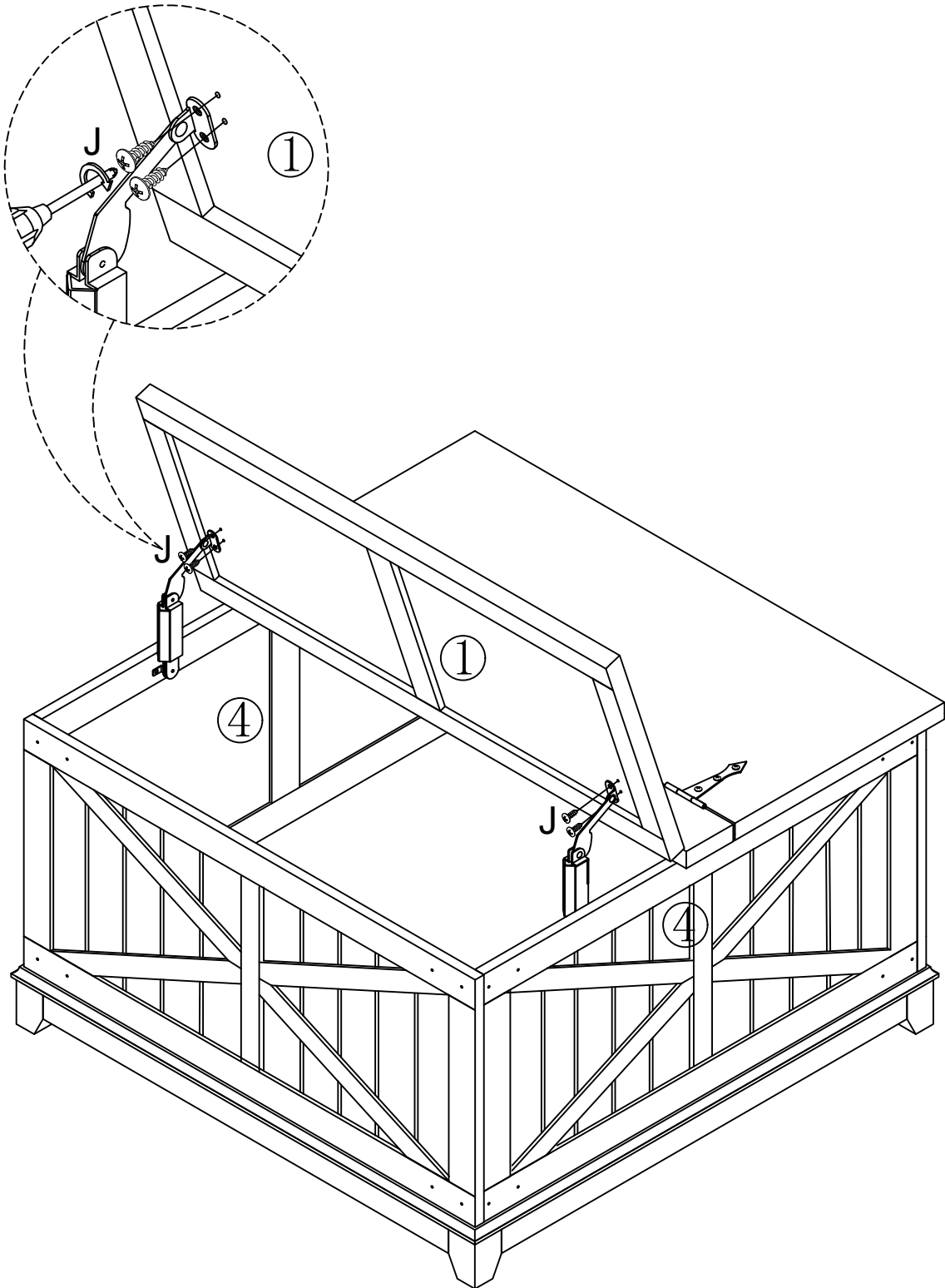
J X 18PCS

STEP 14



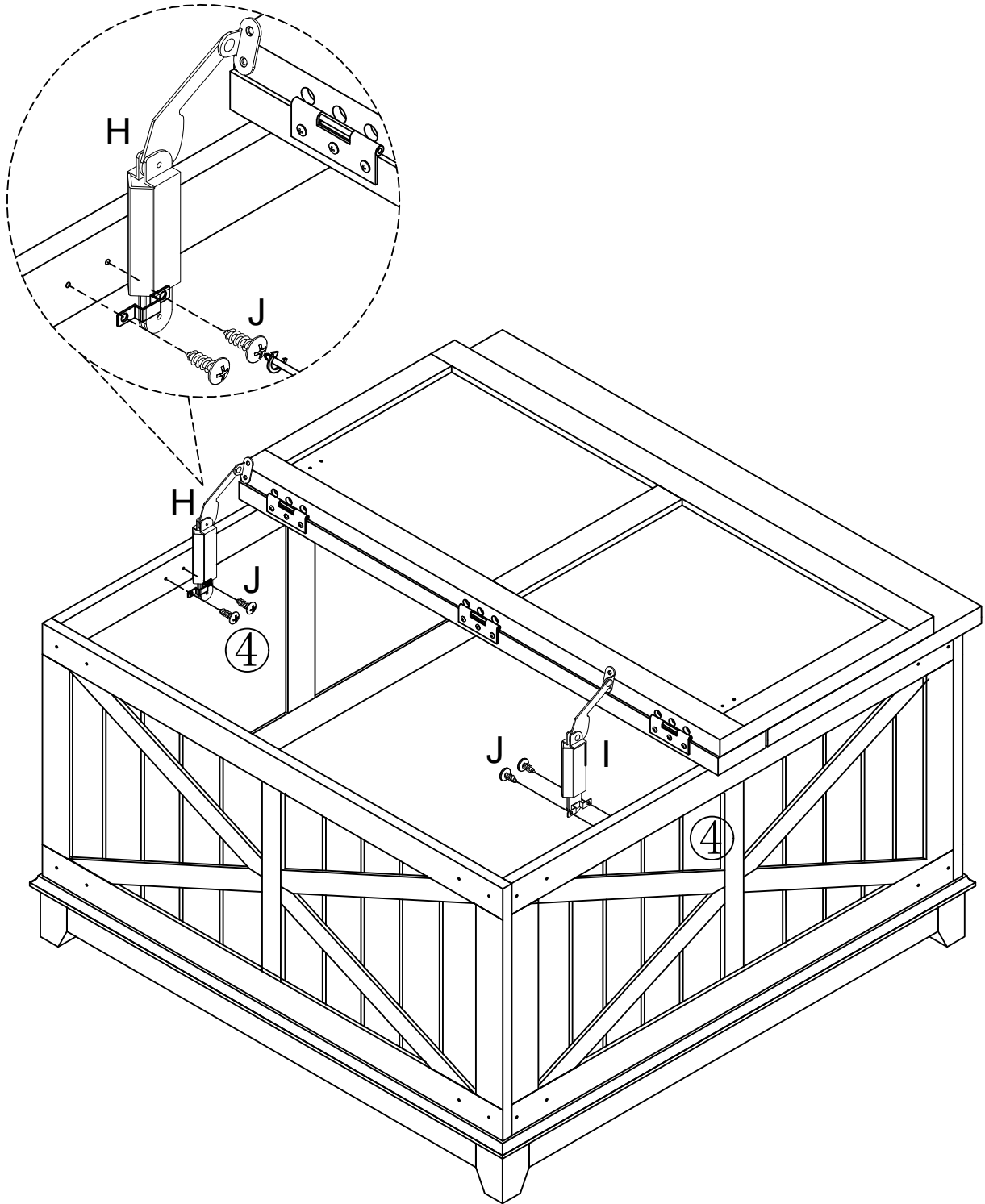
	J X 4PCS
	H X 1PCS
	I X 1PCS




STEP 15



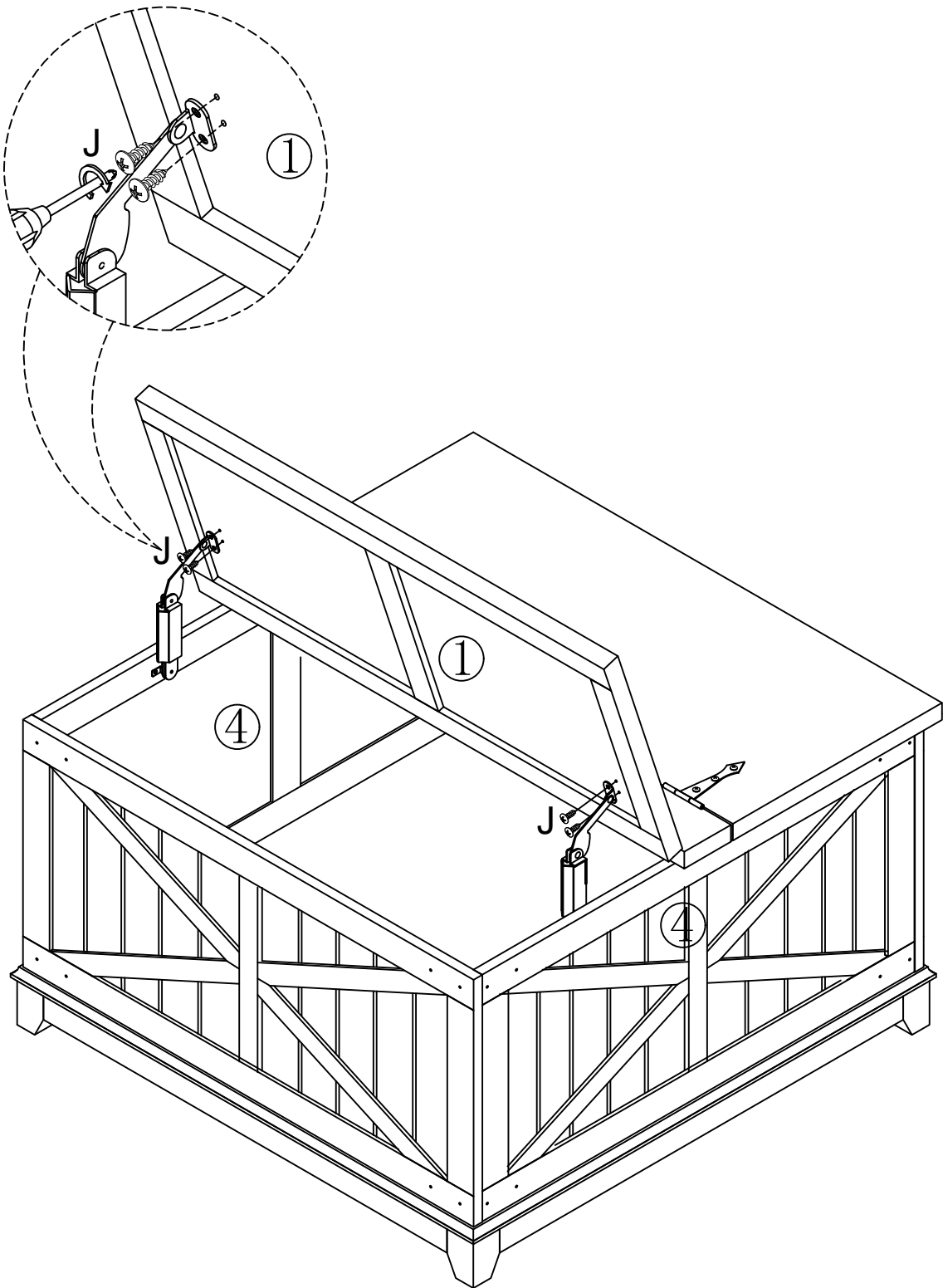
J X 4PCS

STEP 16



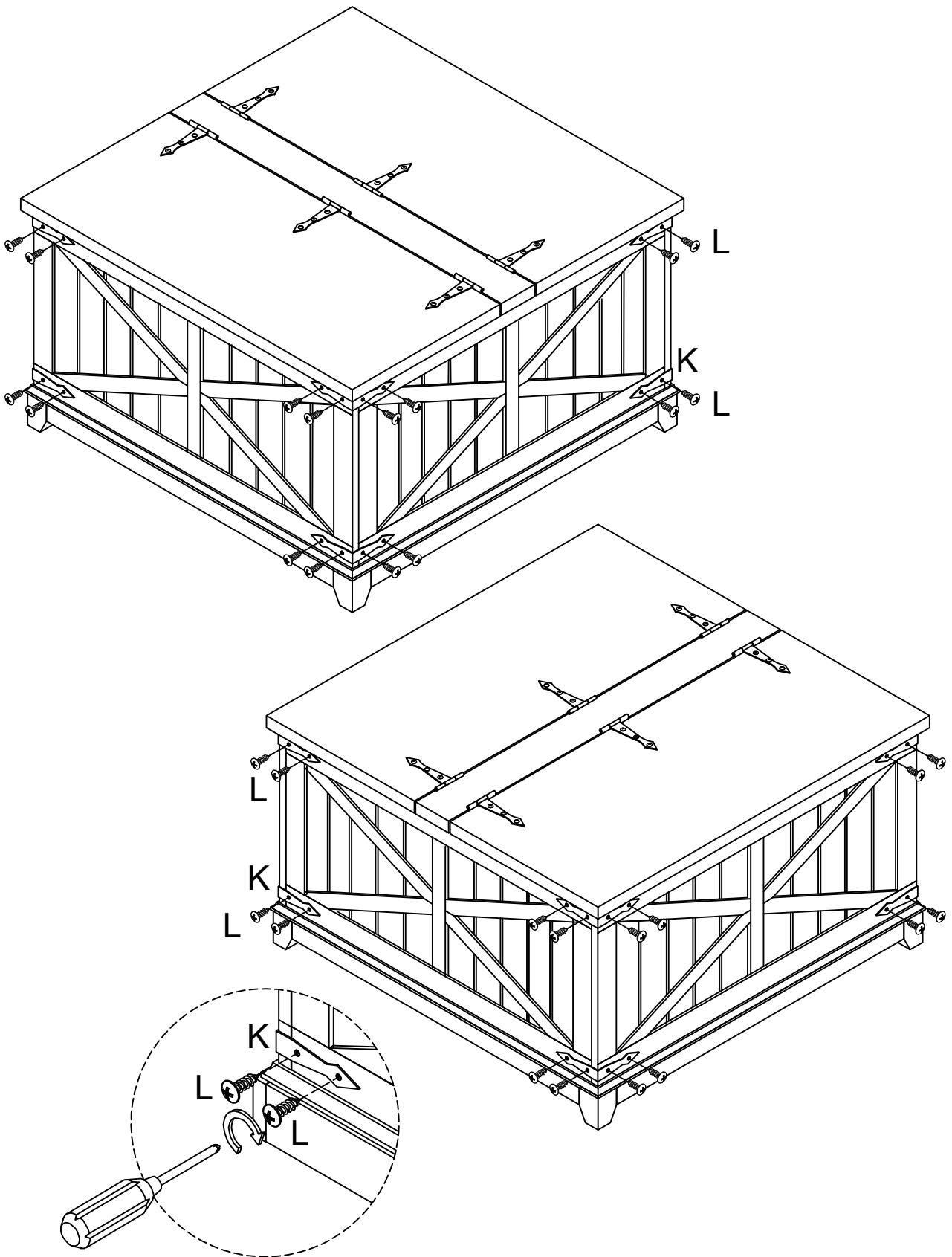
	J X 4PCS
	H X 1PCS
	I X 1PCS



STEP 17



J X 4PCS

STEP 18



	L X 8PCS
	A X 32PCS

STEP 19

