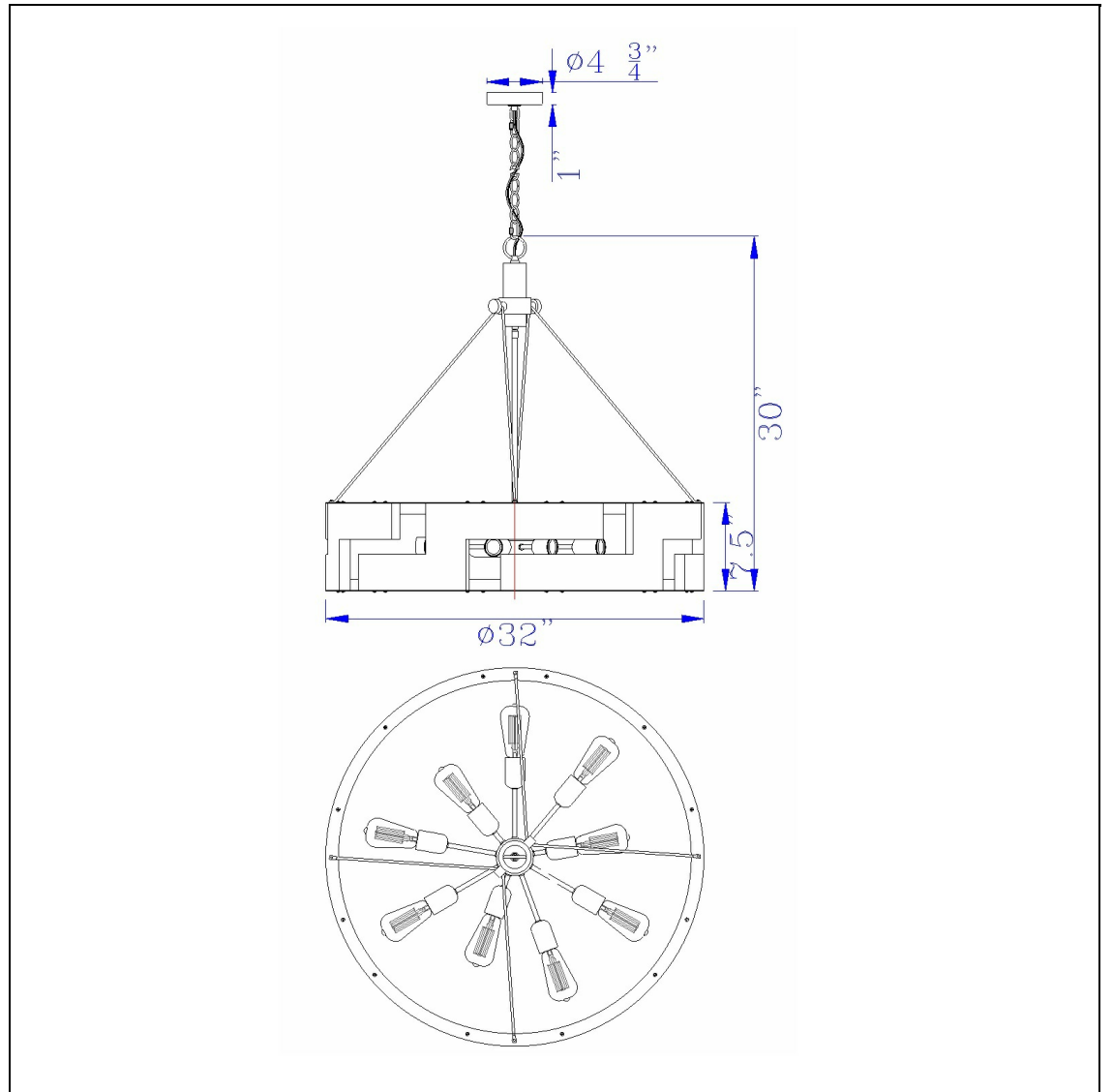


Type: \_\_\_\_\_  
 Project: \_\_\_\_\_  
 Catalog No: \_\_\_\_\_  
 Lamp/Wattage: \_\_\_\_\_



## Description

60W X 9 Metal And Wood  
 Chandelier (Edison Bulbs Not Included)  
 Durable Metal and Wood Construction  
 Ships in One Carton  
 Smoky Wood Accents  
 30" Height Metal Chandelier in Smoky  
 Wood Finish

## Technical Specifications

|                         |            |
|-------------------------|------------|
| <b>Wattage</b>          | 60W X 9    |
| <b>Lumen</b>            | X          |
| <b>Switch Type</b>      | Hardwired  |
| <b>Bulb Base</b>        | E26        |
| <b>Number of Lights</b> | 9          |
| <b>Color</b>            | Smoky Wood |
| <b>Base Color</b>       | Smoky Wood |

|                                |                            |
|--------------------------------|----------------------------|
| <b>Carton 1<br/>Dimensions</b> | 11.10 x 34.10 x 34.10      |
| <b>Carton 2<br/>Dimensions</b> | 0.00 x 0.00 x 34.10        |
| <b>Package<br/>Dimensions</b>  | L: 34.10 W: 34.10 H: 11.10 |