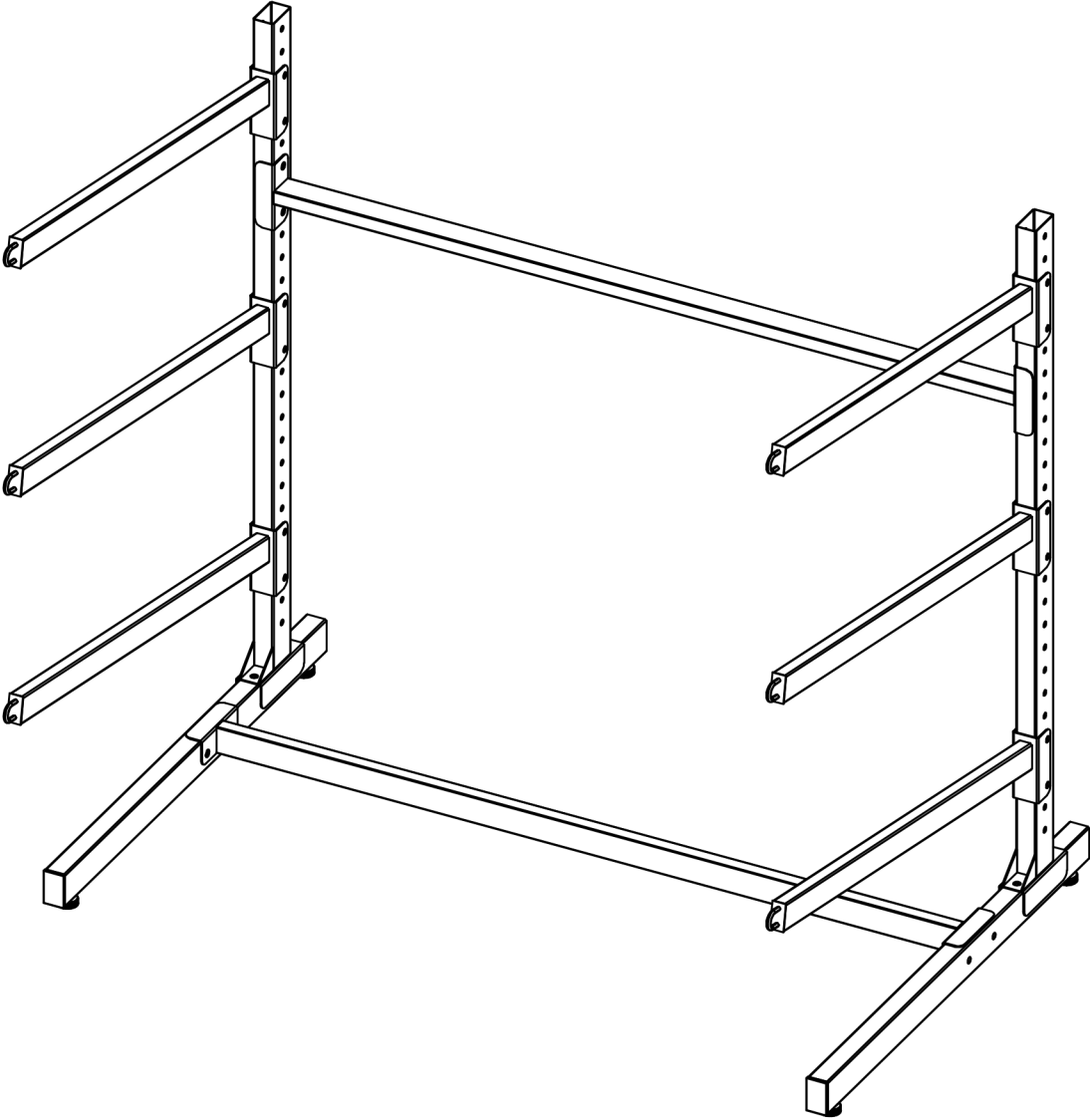
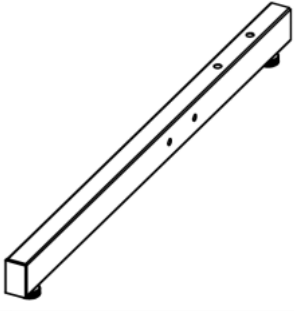


ASSEMBLY

INSTRUCTION



A



x2

B



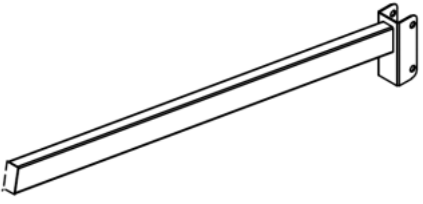
x2

C



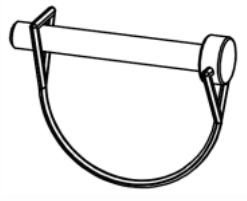
x2

D



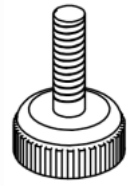
x6

E



x12

F



x4

G



x8

H



x12

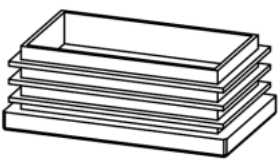
I



x4

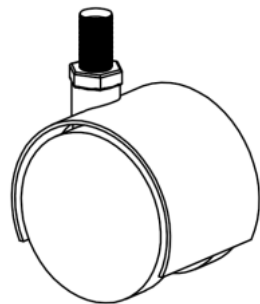
J

30 × 50



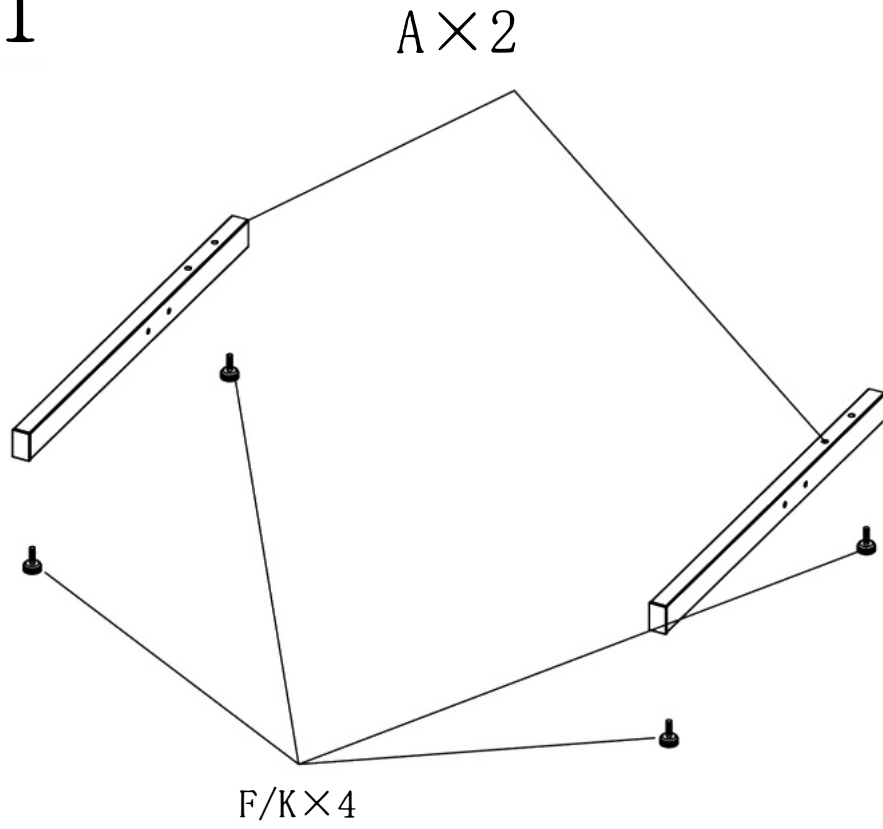
x6

K



x4

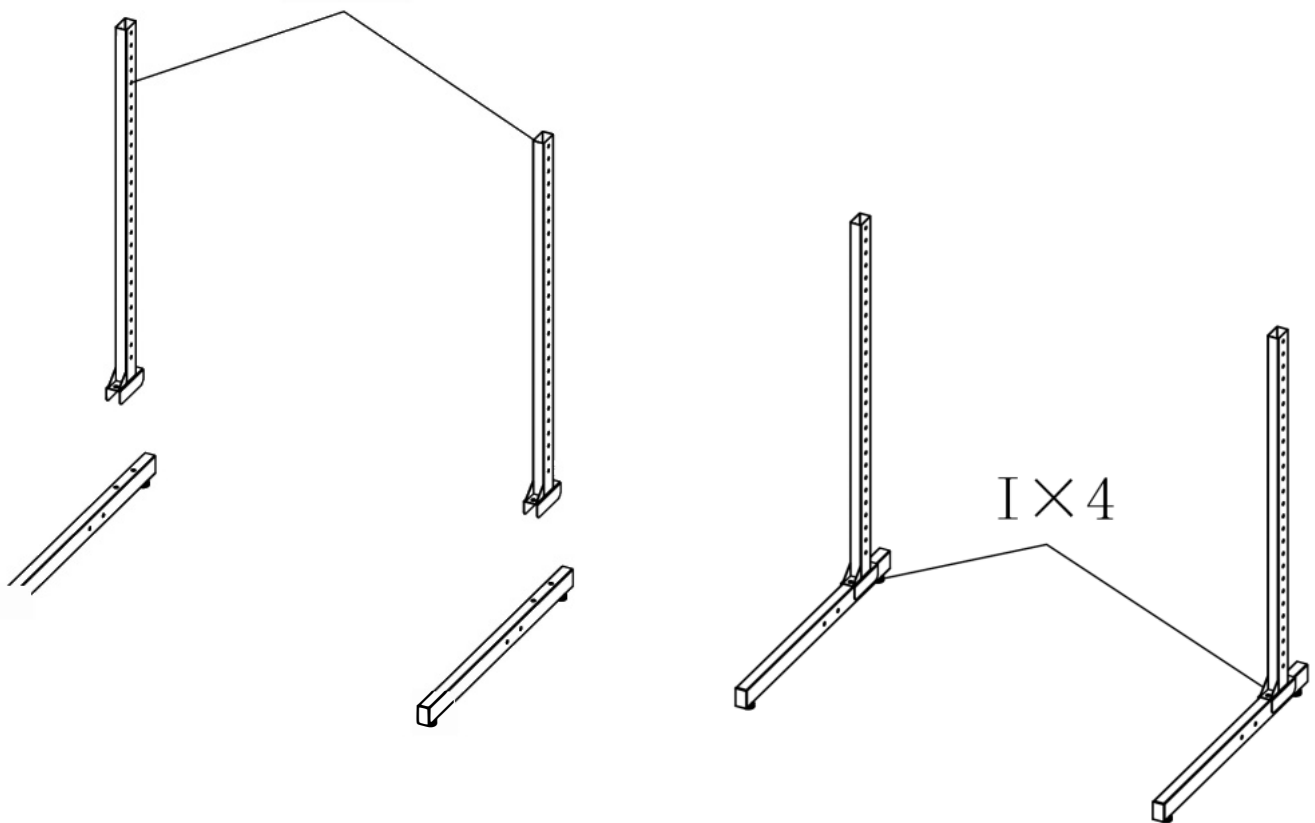
Step 1



$F/K \times 4$

$A \times 2$

Step 2



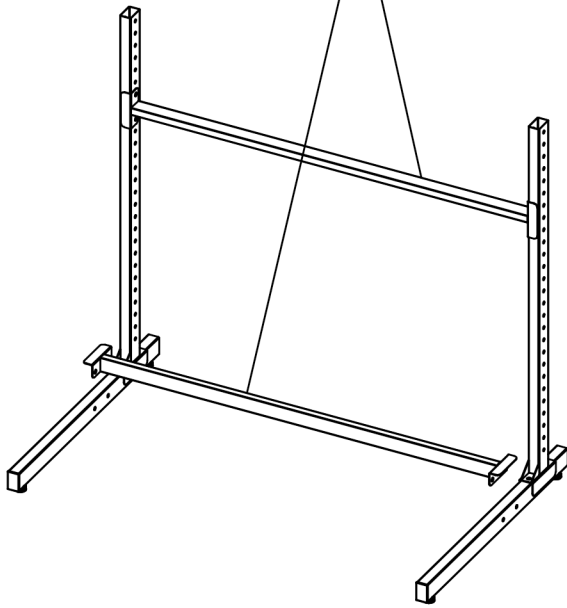
$I \times 4$

$H \times 4$

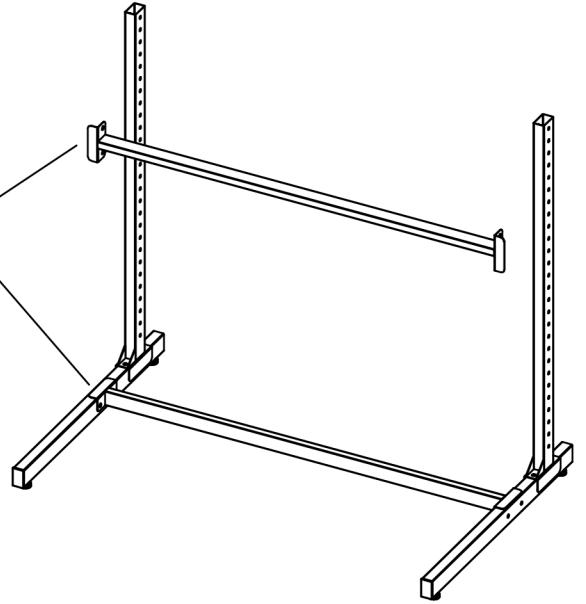
$B \times 2$

Step 3

C×2



G×8
H×8



G×8

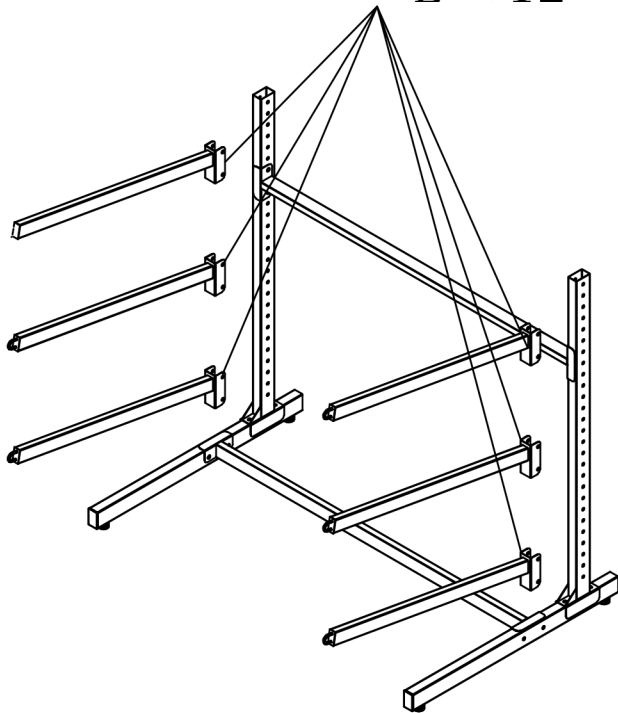
H×8

C×2

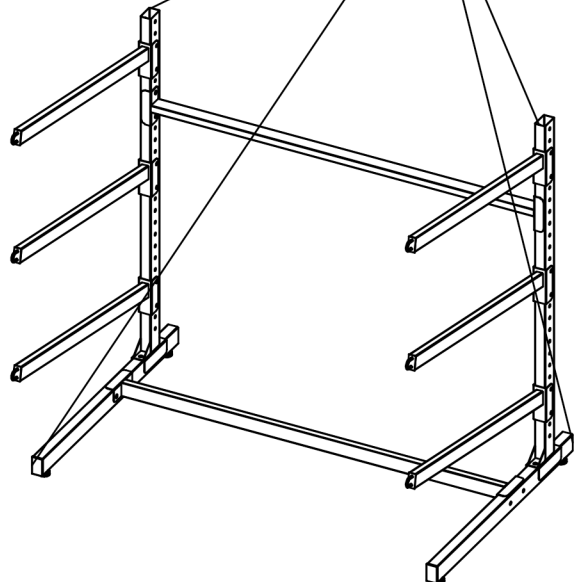
Step 4

D×6

E×12



J×6



E×12

D×6

J×6