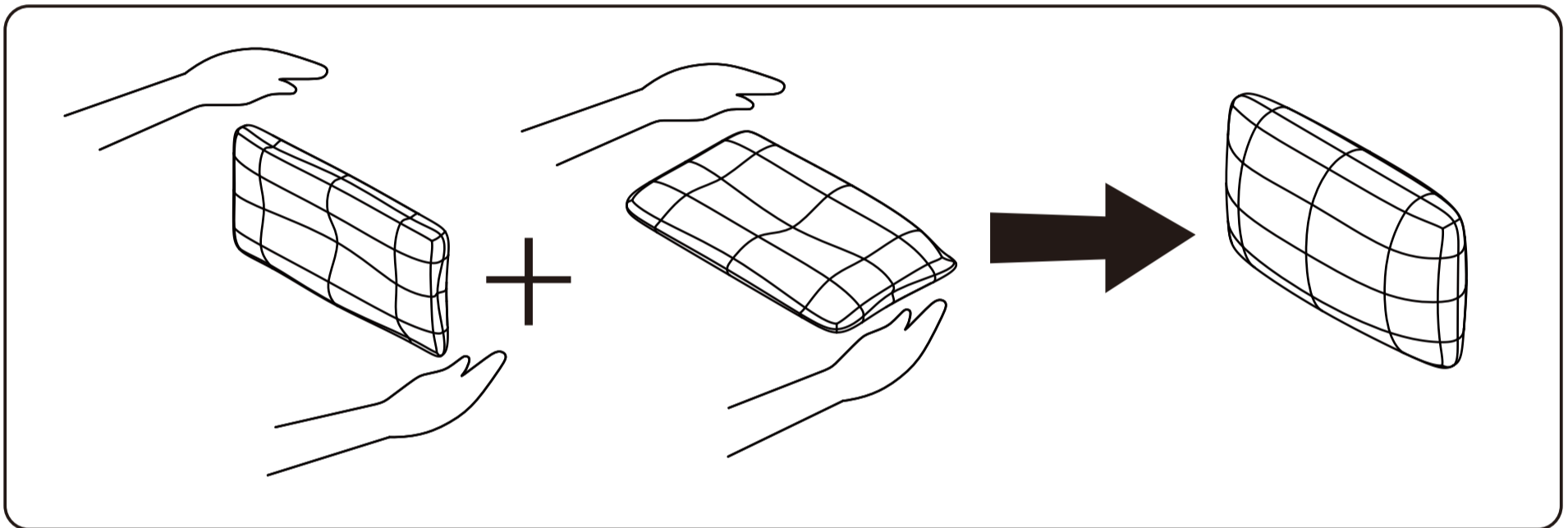
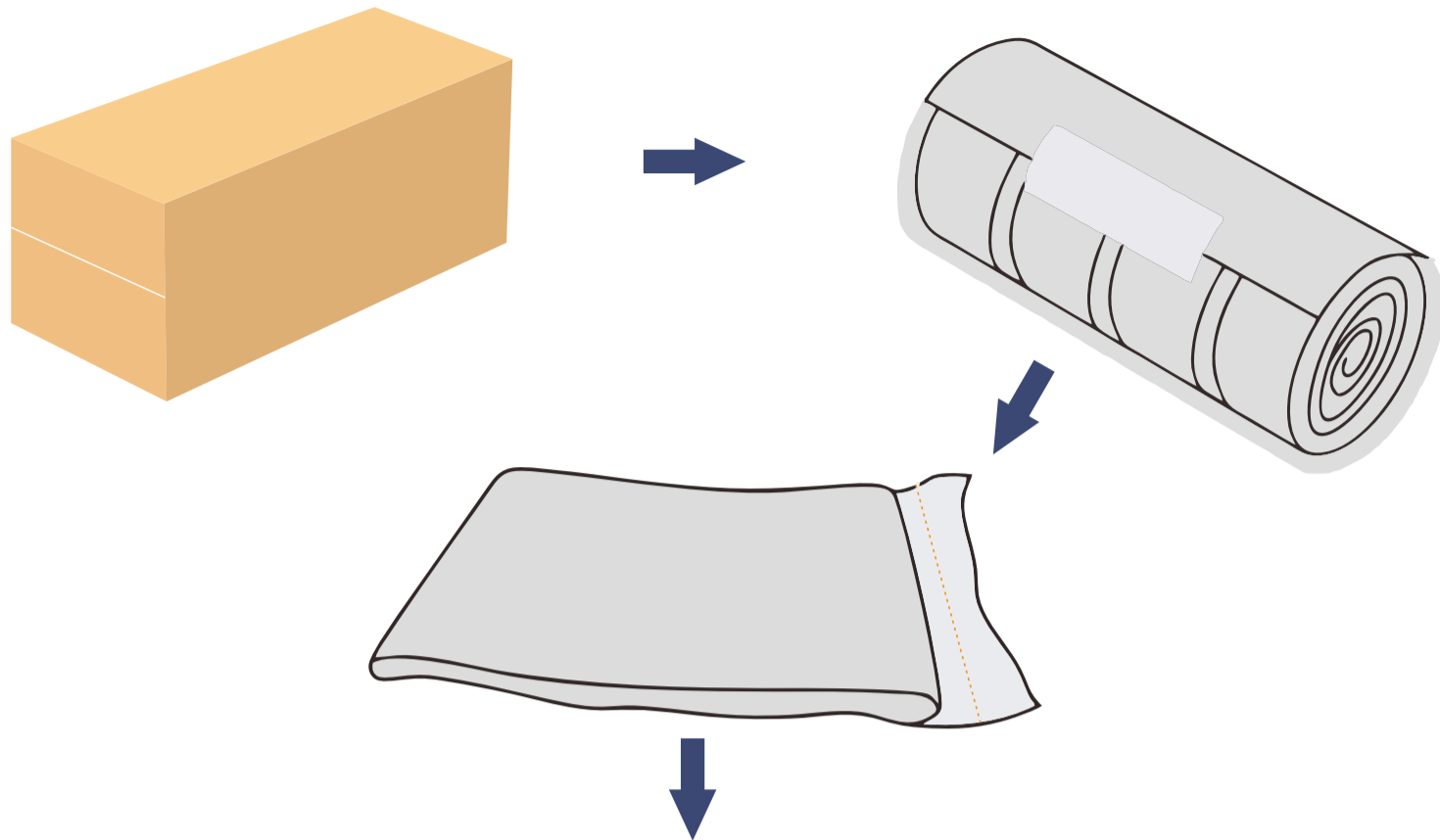


## Friendly Reminder



1. Repeatedly tap the sides and front and back to make it rebound better and fluffy.
2. Opening the package, the sofa rebounds quickly with in 4 hours, If the fabric has wrinkles, they will basically disappear after about 72 hours.

## Daily maintenance

Avoid direct sunlight.

Keep sharp objects away from the surface of the sofa.

Clean with a soft-bristled brush or the soft brush head of a vacuum cleaner.

