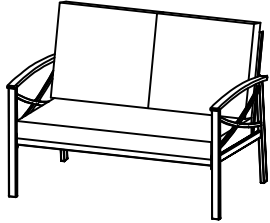
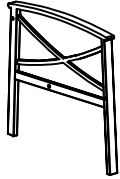
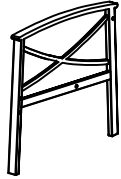
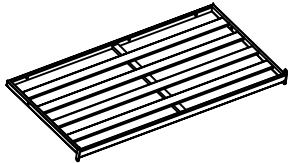
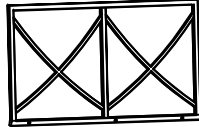

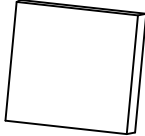











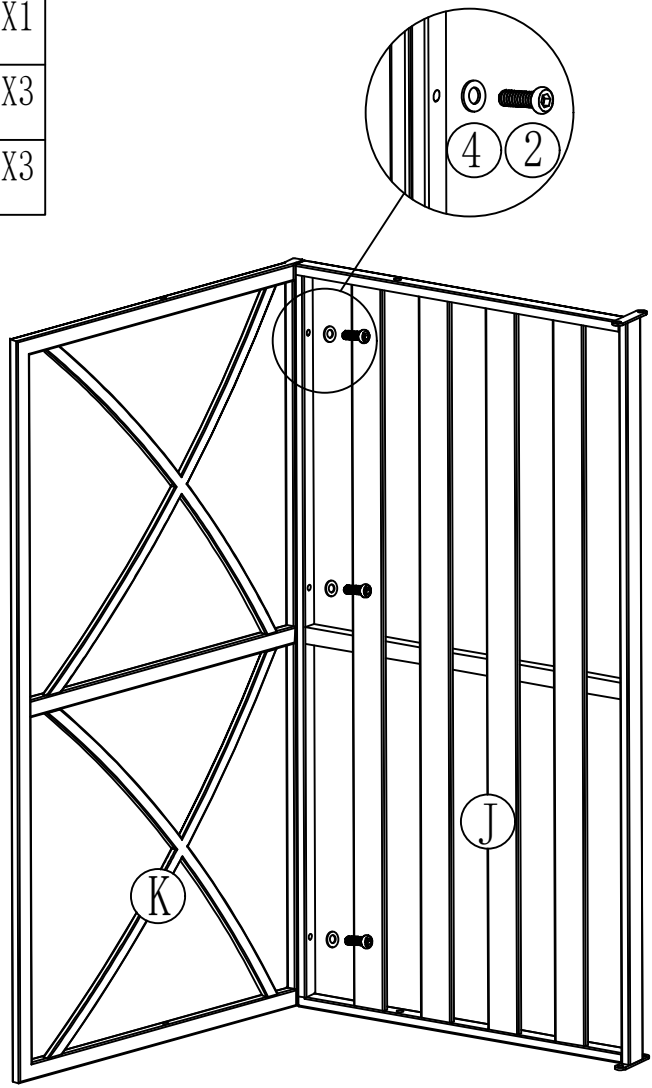
Dear Customers,

Thank you for purchasing our product. Please read this instruction manual carefully before attempting to install.

 <p style="text-align: right;">DOUBLE CHAIR X1</p>		
<p>Ⓐ X1</p>  <p>LEFT</p>	<p>Ⓑ X1</p>  <p>RIGHT</p>	<p>Ⓙ X1</p> 
<p>Ⓚ X1</p> 	<p>Ⓛ X1</p> 	<p>ⓕ X2</p> 
<p>① X4</p>  <p>M6x15mm</p>	<p>② X5</p>  <p>M6x25mm</p>	<p>③ X2</p>  <p>M6x35mm</p>
<p>④ X11</p> 	<p>⑤ X1</p> 	

1

(J)		X1
(K)		X1
(2)		X3
(4)		X3









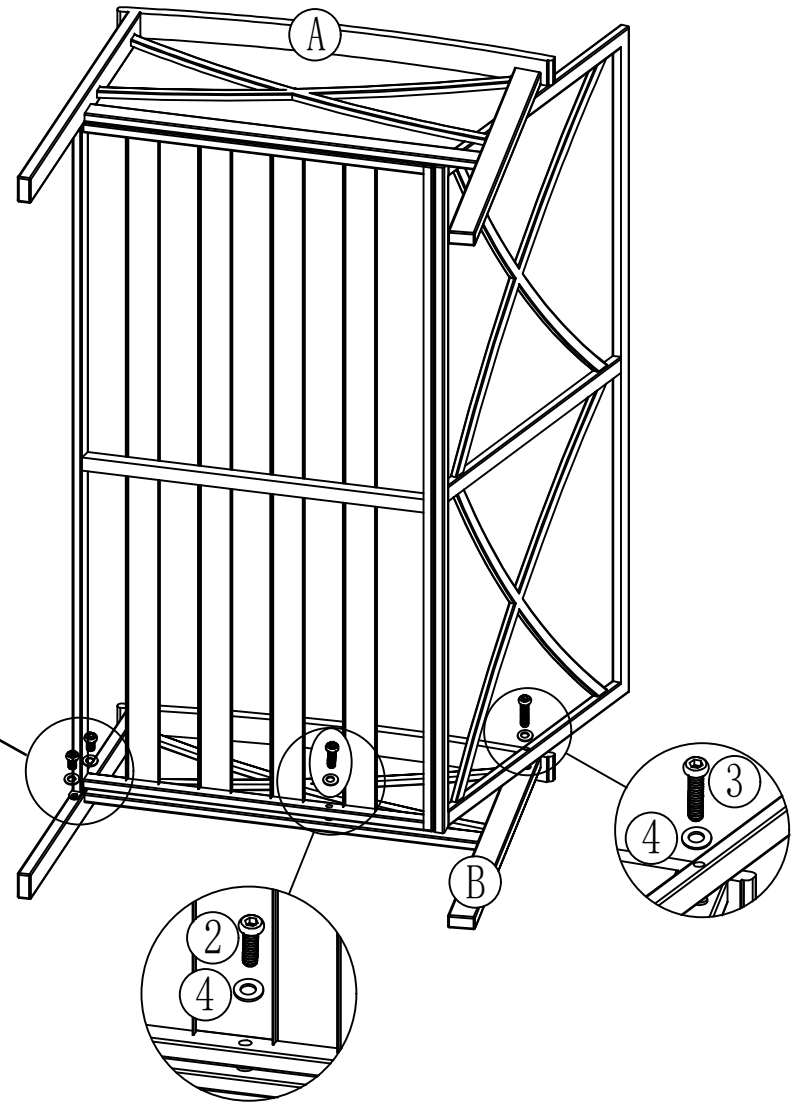
Note: During the assembly, please first half-tighten all the screws into the holes. After all the screws are set, fully tighten them.

EN

3

2

(A)		X1 LEFT
(B)		X1 RIGHT
(1)		X4
(2)		X2
(3)		X2
(4)		X8





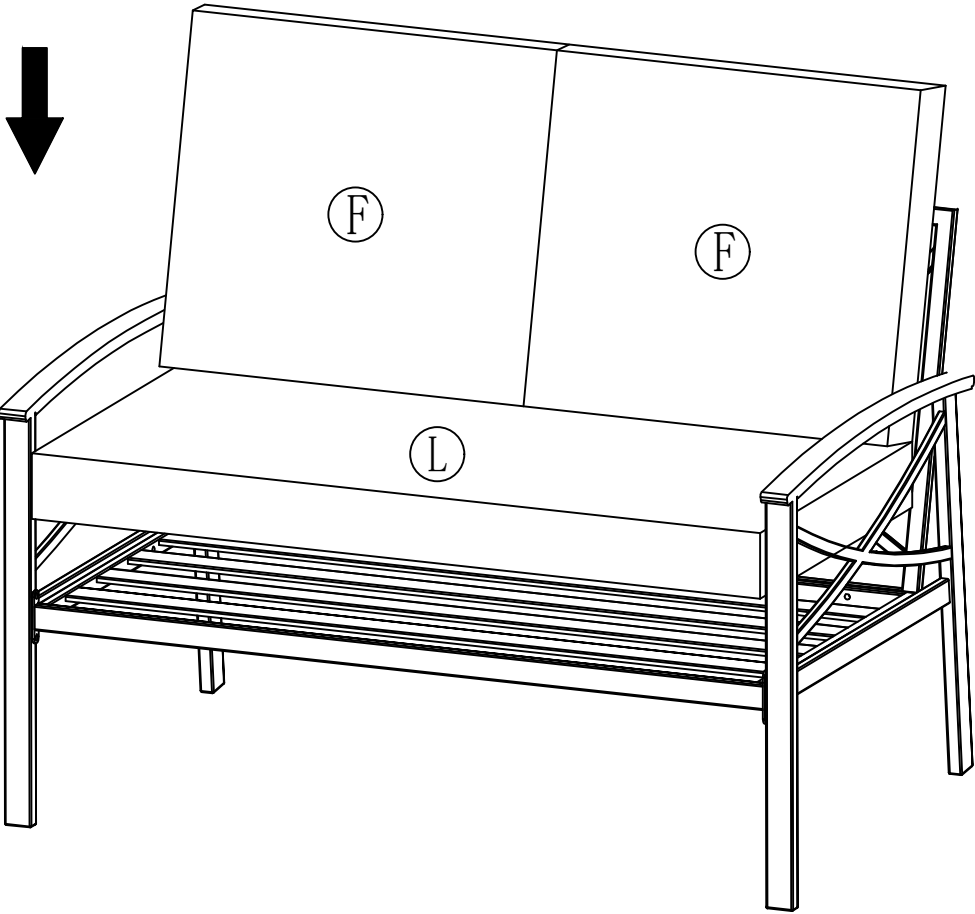
Note: During the assembly, please first half-tighten all the screws into the holes. After all the screws are set, fully tighten them.

EN

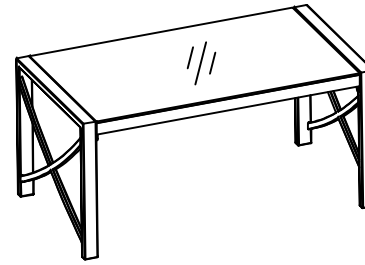
4

3

Ⓛ		X1
ⓕ		X2

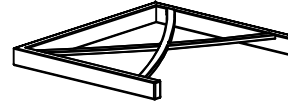


5



COFFEE TABLE
X1

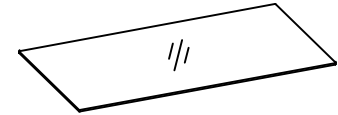
ⓐ X2



Ⓜ X2



Ⓝ X1



① X8




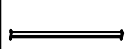


M6x15mm

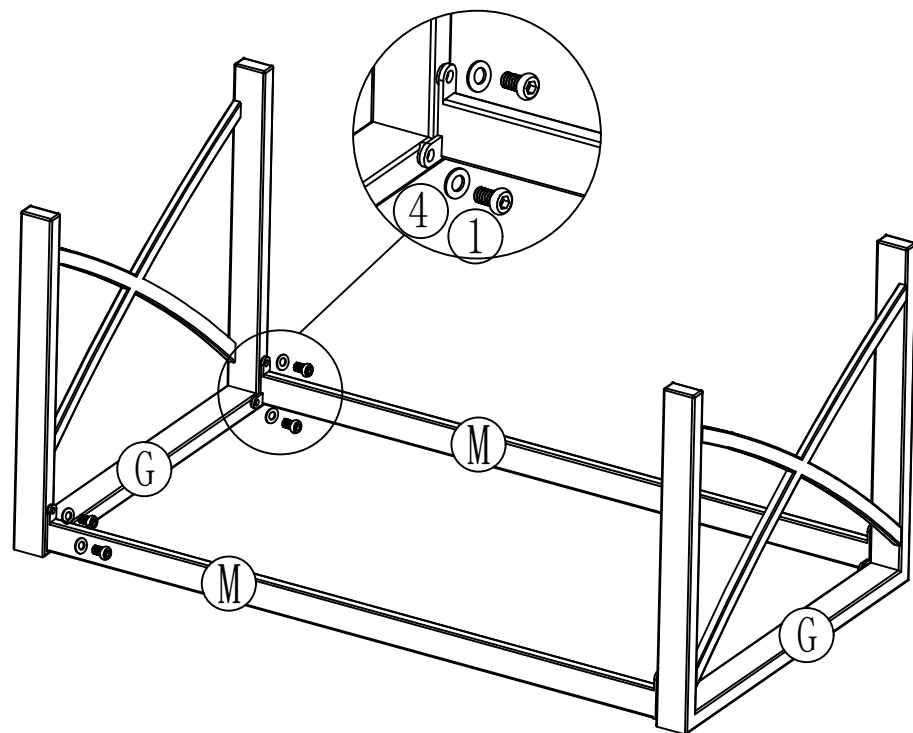
④ X8



6

1


G		X2
M		X2
1		X8
4		X8



Note: During the assembly, please first half-tighten all the screws into the holes. After all the screws are set, fully tighten them.

EN

2

N		X1
---	---	----

