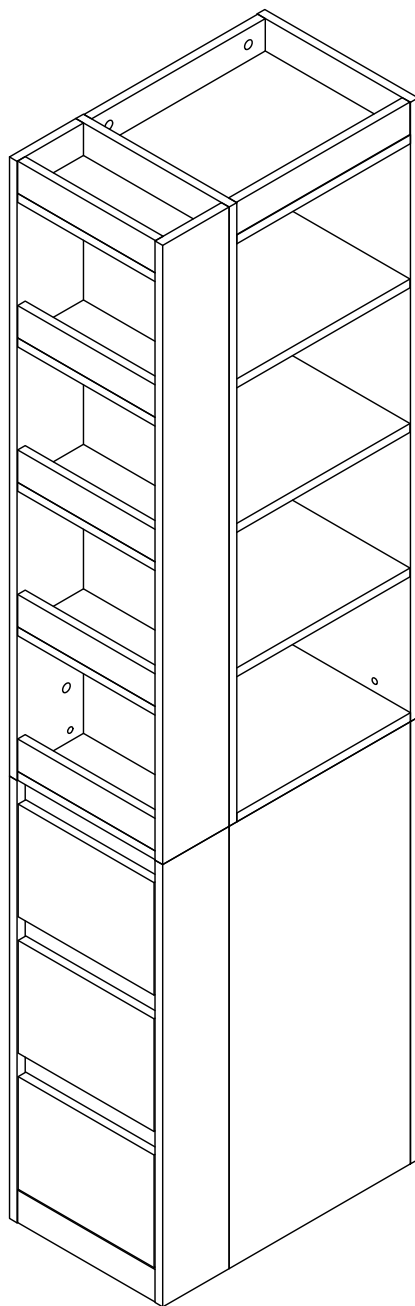


Installation & Assembly

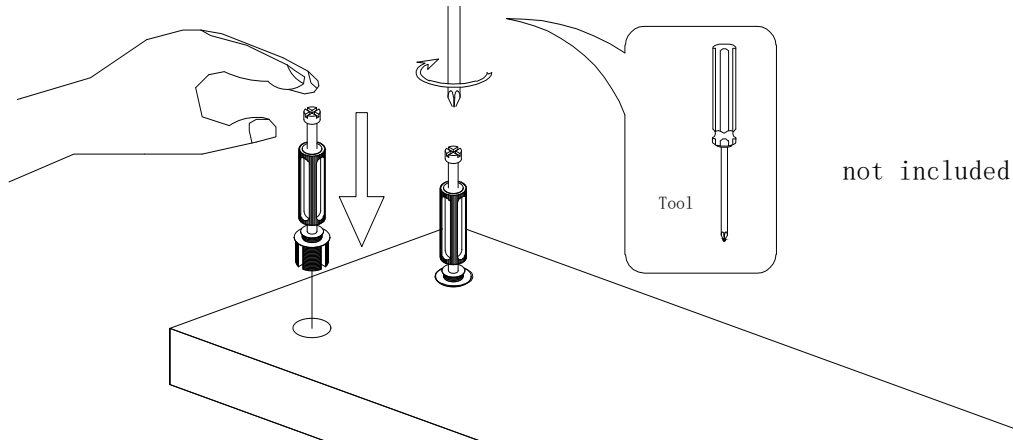




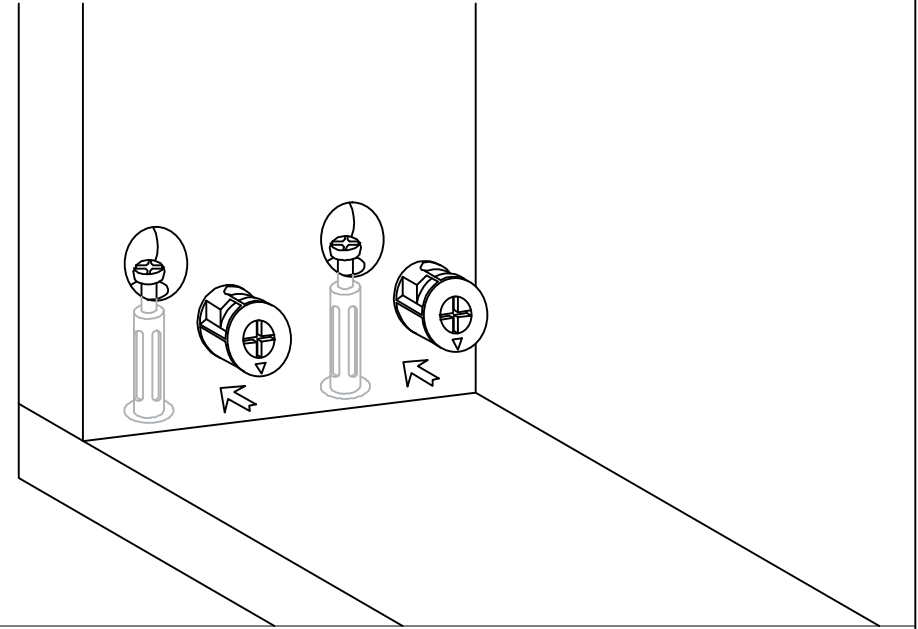
Hardware installation demonstration

NOTE: Please make sure "A" hardware tightened and can't be pulled out!

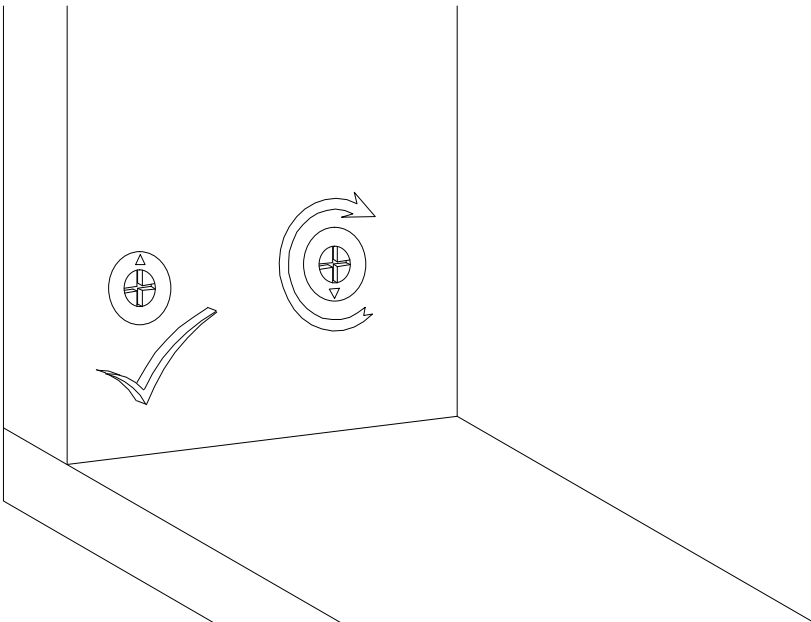
I

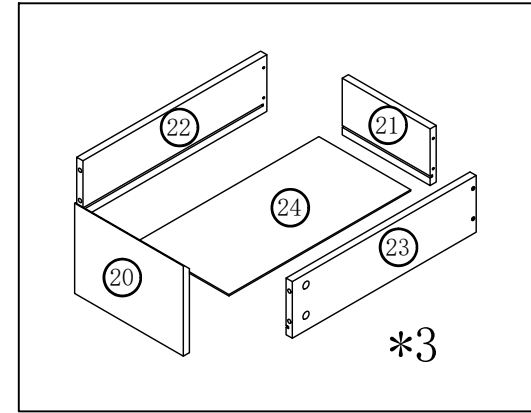
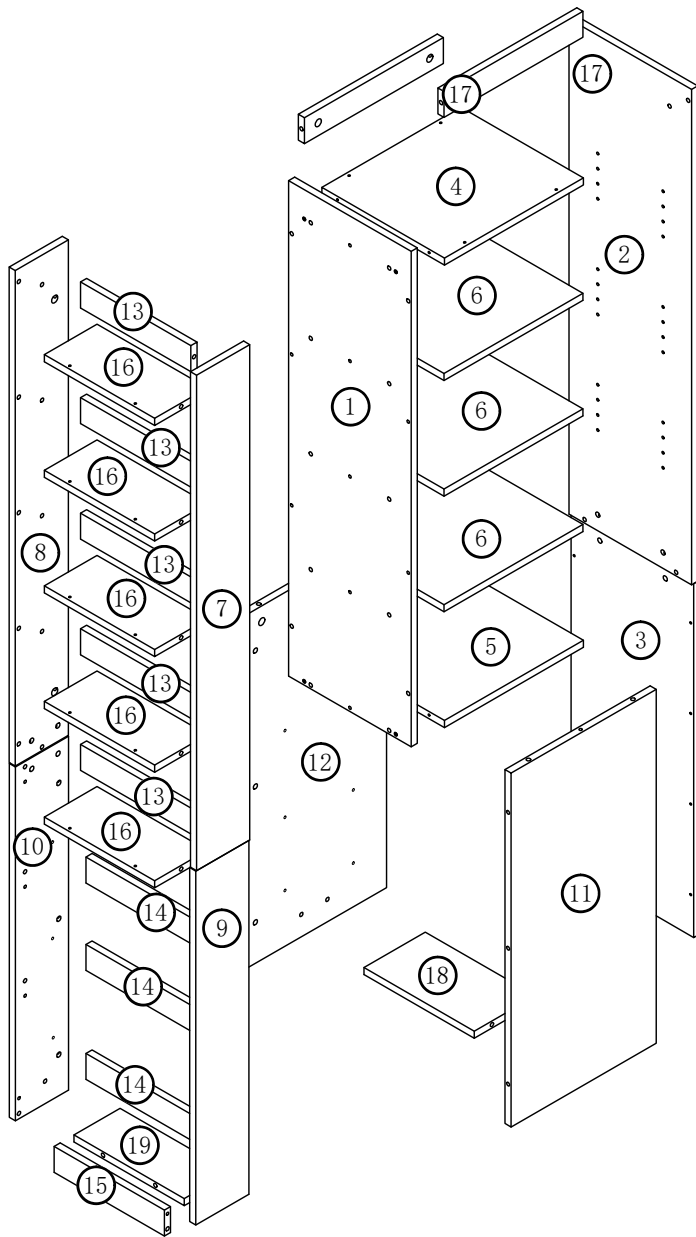


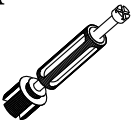

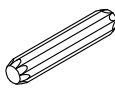
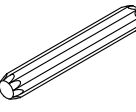
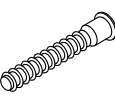
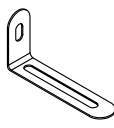

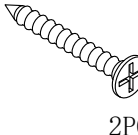

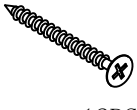

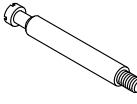
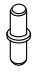
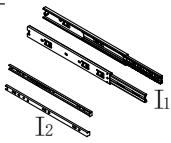
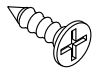
II

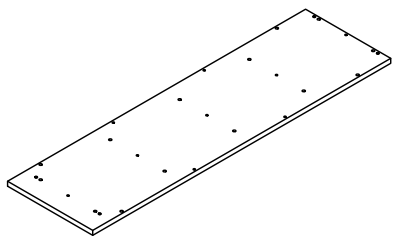
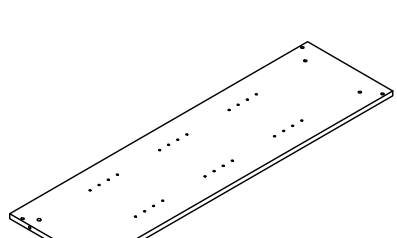
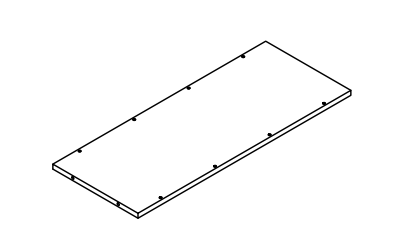
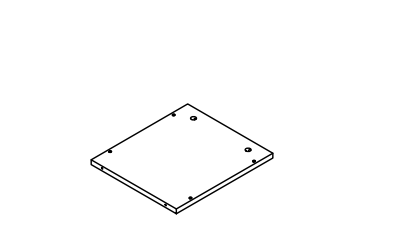
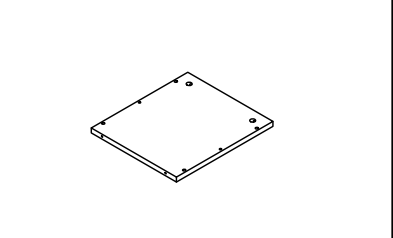
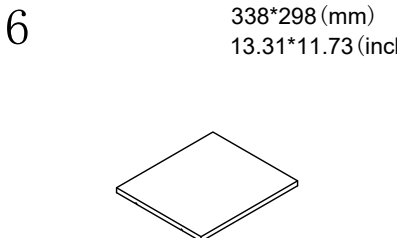

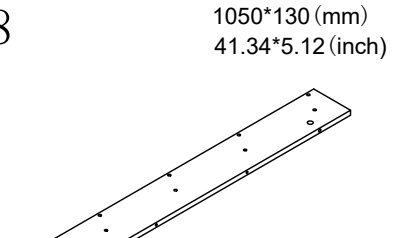

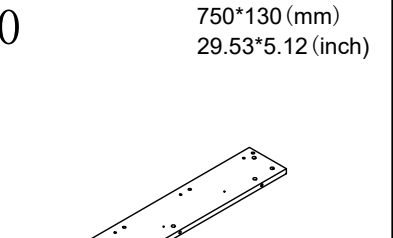
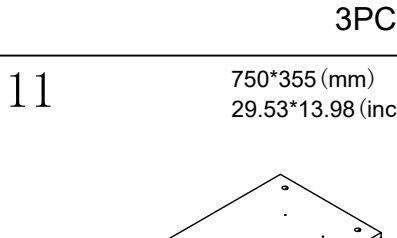
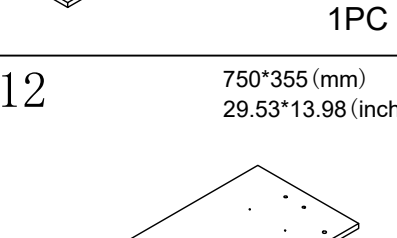
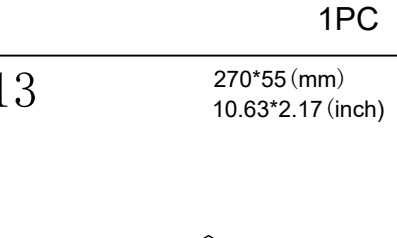
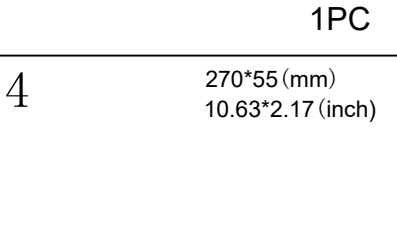
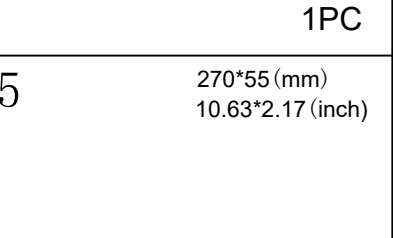
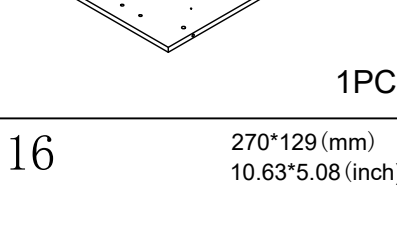
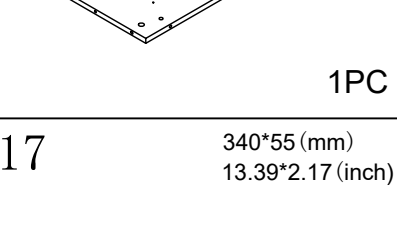
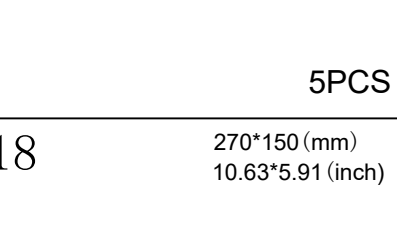
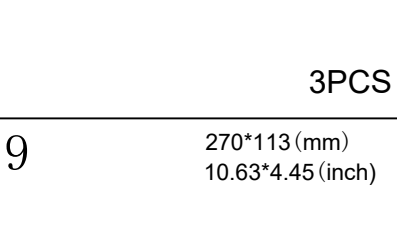
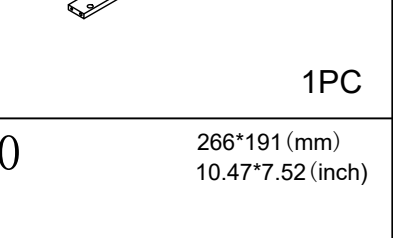


III



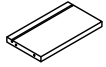


A  74PCS	B  86PCS	C 8*40  19PCS	D 8*60  5PCS	E 7*50  26PCS	O  2PCS	N 8*40  2PCS	M 4*50  2PCS	L  46PCS	K 3.5*35  12PCS
					F 10*11  12PCS	G 6*60  12PCS	H  12PCS	I 450mm  I ₁ I ₂ 3PCS	J 3.5*14  38PCS

<p>1</p> <p>1050*300 (mm) 41.34*11.81 (inch)</p>  <p>1PC</p>	<p>2</p> <p>1050*300 (mm) 41.34*11.81 (inch)</p>  <p>1PC</p>	<p>3</p> <p>750*300 (mm) 29.53*11.81 (inch)</p>  <p>1PC</p>	<p>4</p> <p>340*300 (mm) 13.39*11.81 (inch)</p>  <p>1PC</p>	<p>5</p> <p>340*300 (mm) 13.39*11.81 (inch)</p>  <p>1PC</p>
<p>6</p> <p>338*298 (mm) 13.31*11.73 (inch)</p>  <p>3PCS</p>	<p>7</p> <p>1050*130 (mm) 41.34*5.12 (inch)</p>  <p>1PC</p>	<p>8</p> <p>1050*130 (mm) 41.34*5.12 (inch)</p>  <p>1PC</p>	<p>9</p> <p>750*130 (mm) 29.53*5.12 (inch)</p>  <p>1PC</p>	<p>10</p> <p>750*130 (mm) 29.53*5.12 (inch)</p>  <p>1PC</p>
<p>11</p> <p>750*355 (mm) 29.53*13.98 (inch)</p>  <p>1PC</p>	<p>12</p> <p>750*355 (mm) 29.53*13.98 (inch)</p>  <p>1PC</p>	<p>13</p> <p>270*55 (mm) 10.63*2.17 (inch)</p>  <p>5PCS</p>	<p>14</p> <p>270*55 (mm) 10.63*2.17 (inch)</p>  <p>3PCS</p>	<p>15</p> <p>270*55 (mm) 10.63*2.17 (inch)</p>  <p>1PC</p>
<p>16</p> <p>270*129 (mm) 10.63*5.08 (inch)</p>  <p>5PCS</p>	<p>17</p> <p>340*55 (mm) 13.39*2.17 (inch)</p>  <p>2PCS</p>	<p>18</p> <p>270*150 (mm) 10.63*5.91 (inch)</p>  <p>1PC</p>	<p>19</p> <p>270*113 (mm) 10.63*4.45 (inch)</p>  <p>1PC</p>	<p>20</p> <p>266*191 (mm) 10.47*7.52 (inch)</p>  <p>3PCS</p>

21

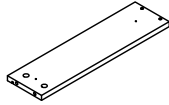
215*120 (mm)
8.46*4.72 (inch)



3PCS

22

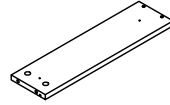
450*120 (mm)
17.72*4.72 (inch)



3PCS

23

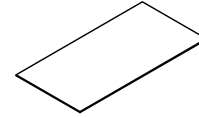
450*120 (mm)
17.72*4.72 (inch)



3PCS

24

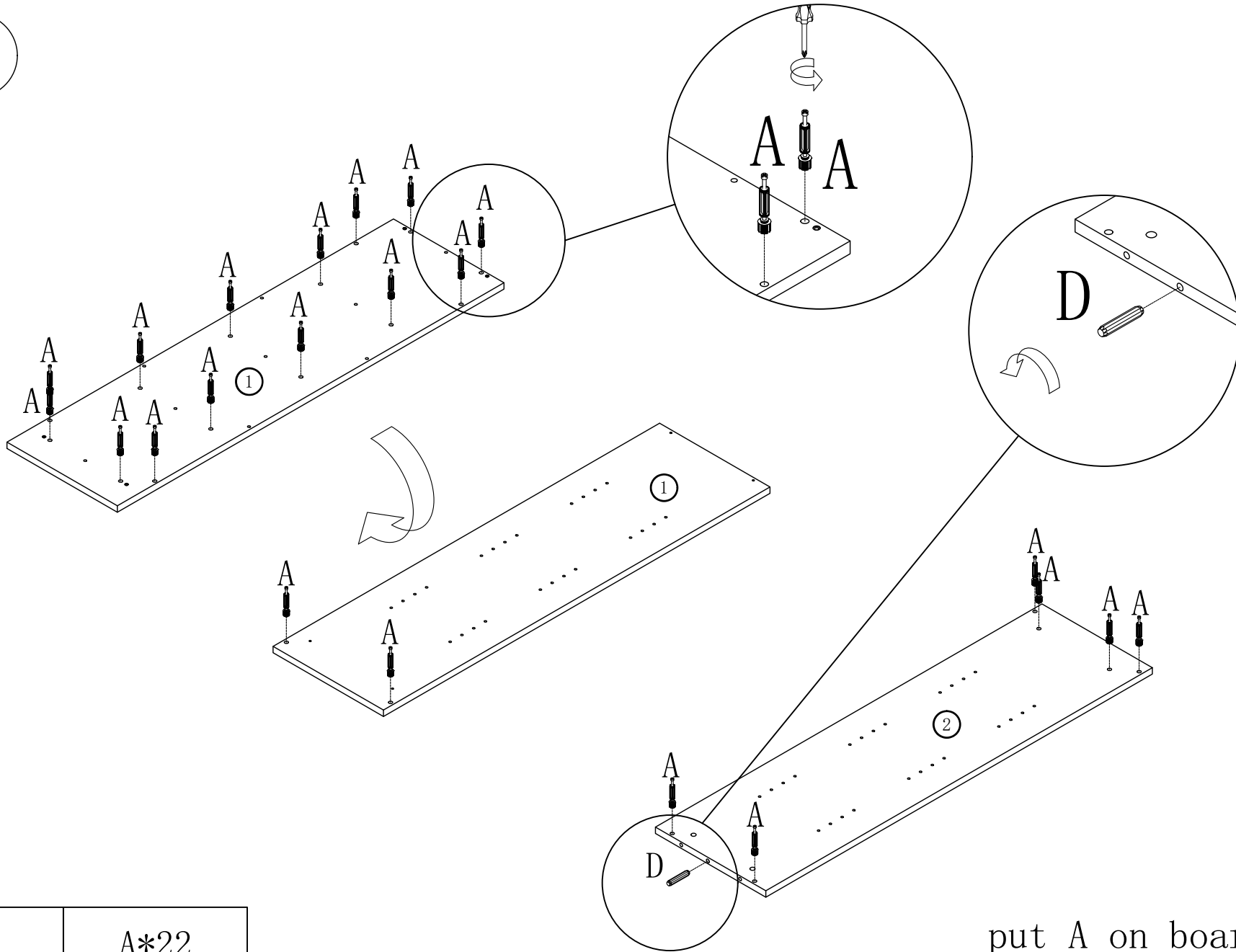
445*225 (mm)
17.52*8.86 (inch)


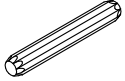


3PCS

25

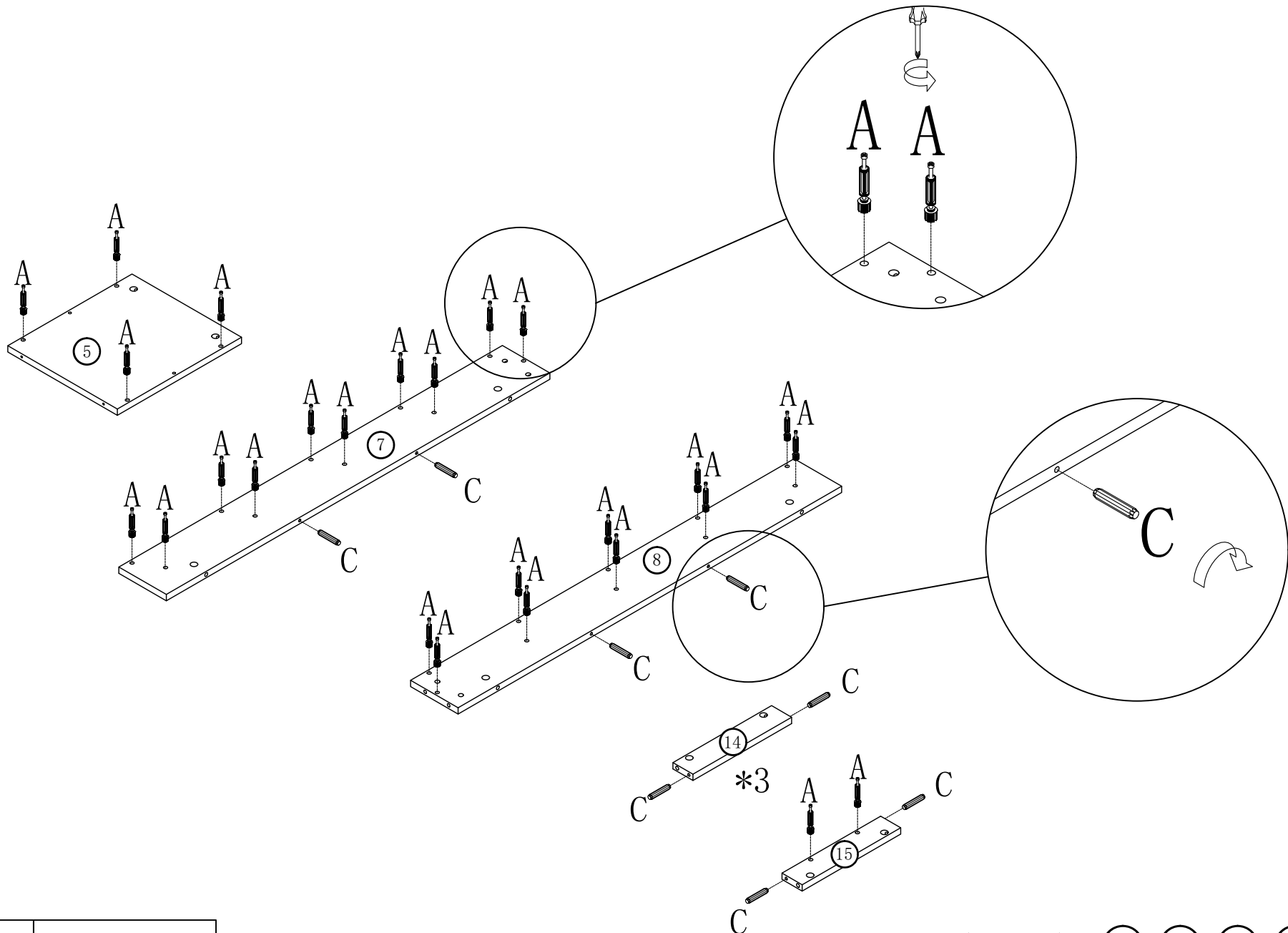
1


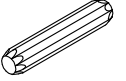


	A*22
	D*1

put A on board ① ②
put D on board ②

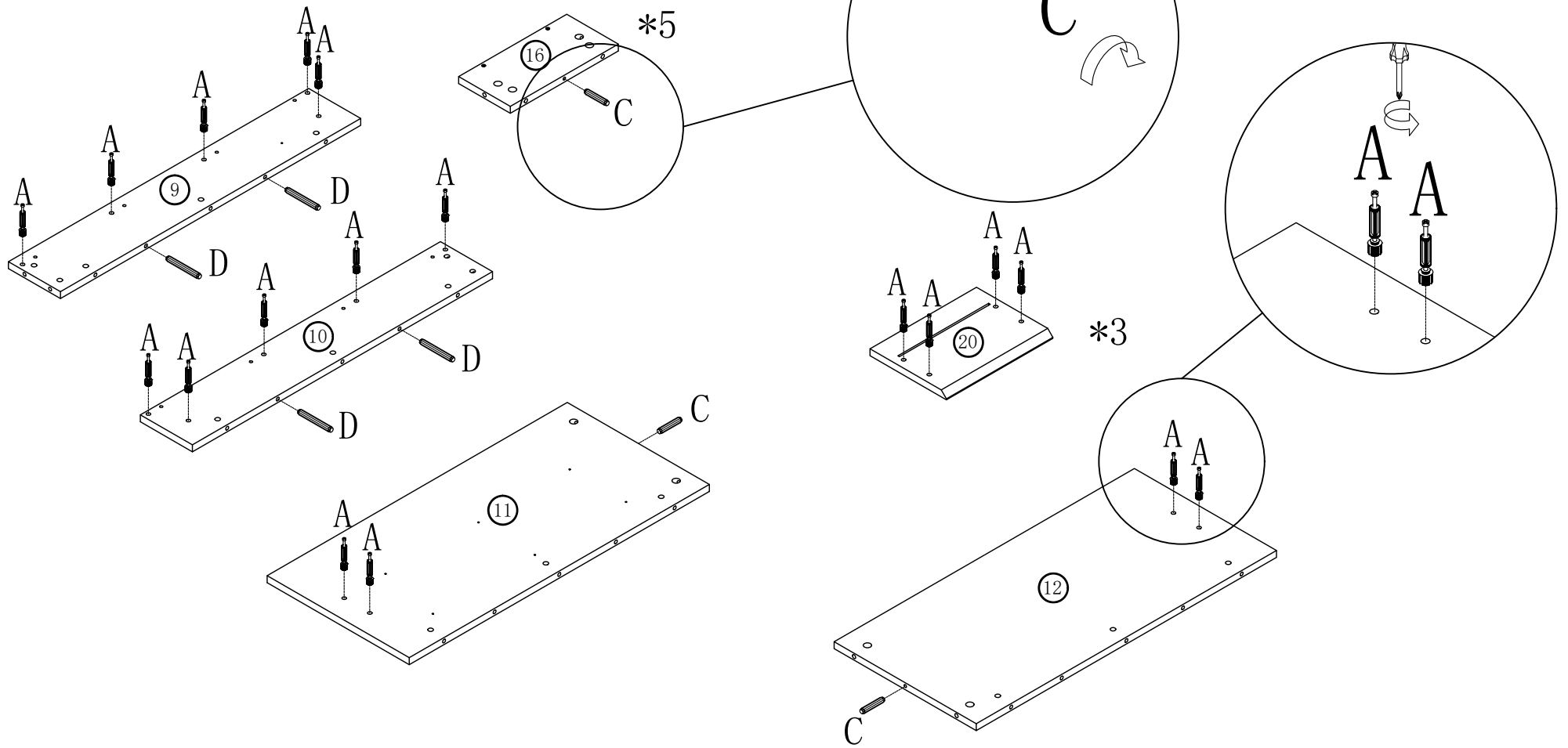
2


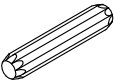
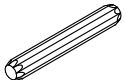


	A*26
	C*12

put A on board (5) (7) (8) (15)
put C on board (7) (8) (14) (15)

3

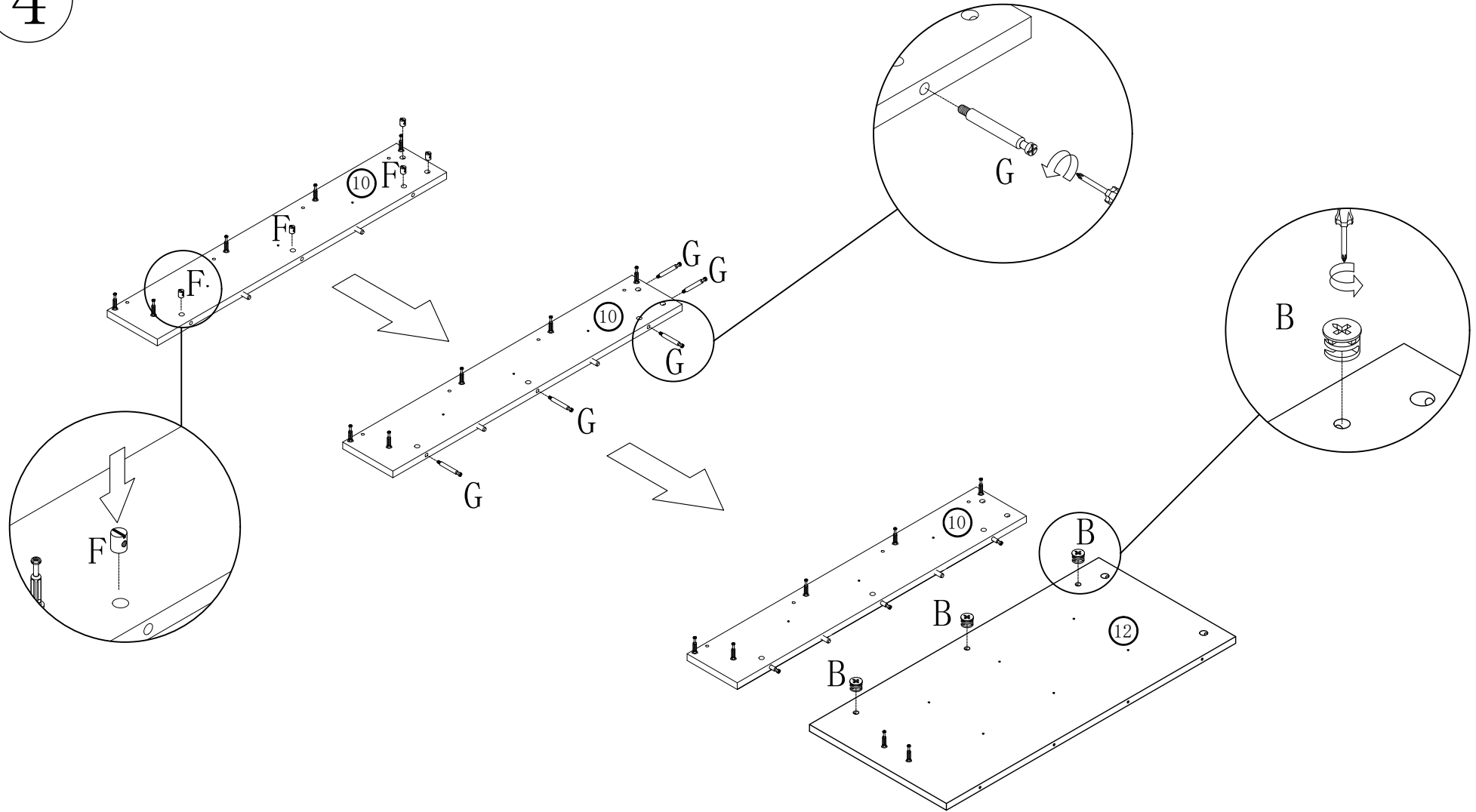




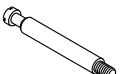
	A*26
	C*7
	D*4

- put A on board (9) (10) (11) (12) (16) (20)
- put C on board (11) (12) (16)
- put D on board (9) (10)

4

Make sure the arrow on the screw align to the hole on the side.



	B*3
	F*5
	G*5

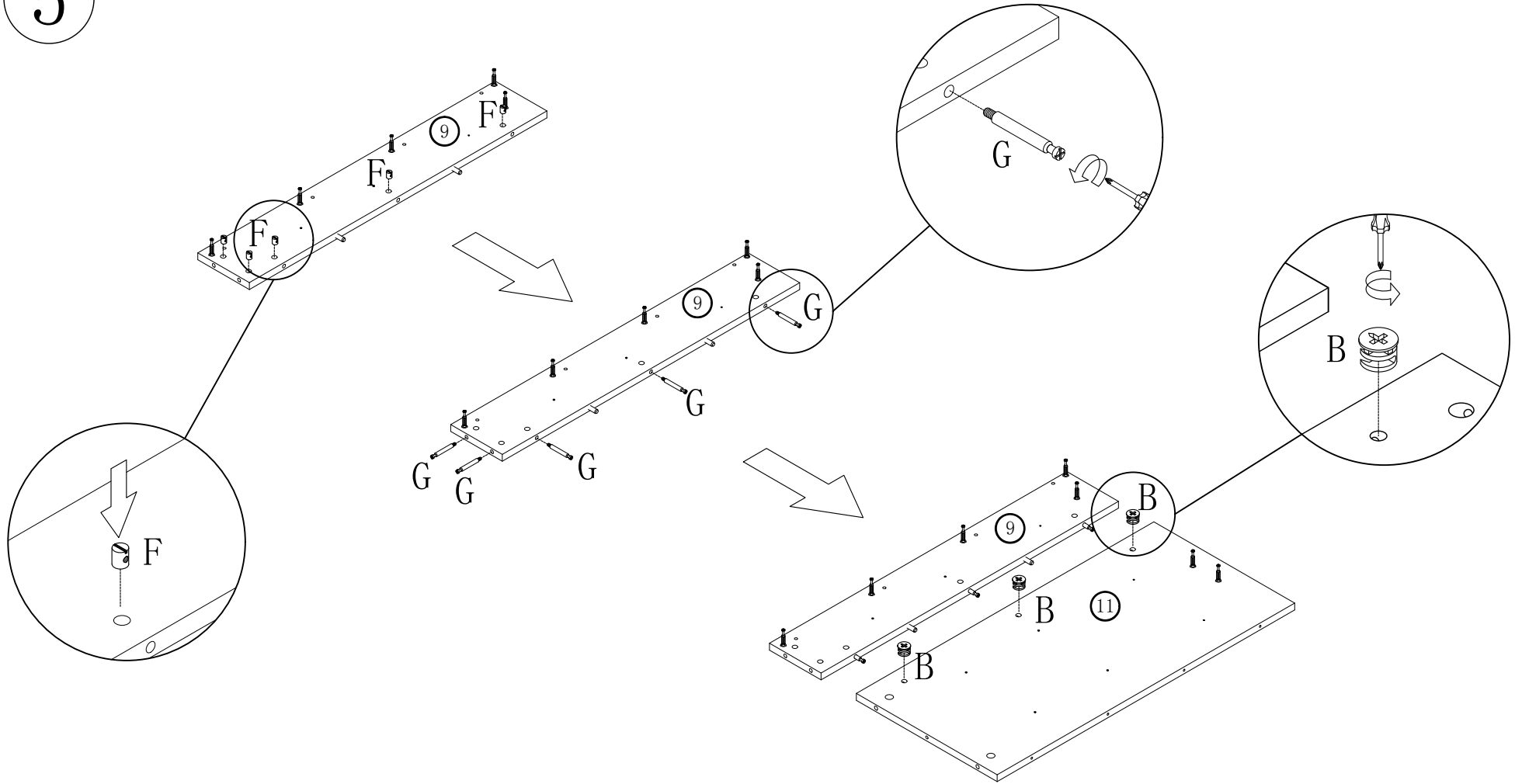
put B on board (12)



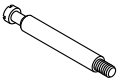
put F on board (10)

put G on board (10)

5

Make sure the arrow on the screw align to the hole on the side.



	B*3
	F*5
	G*5

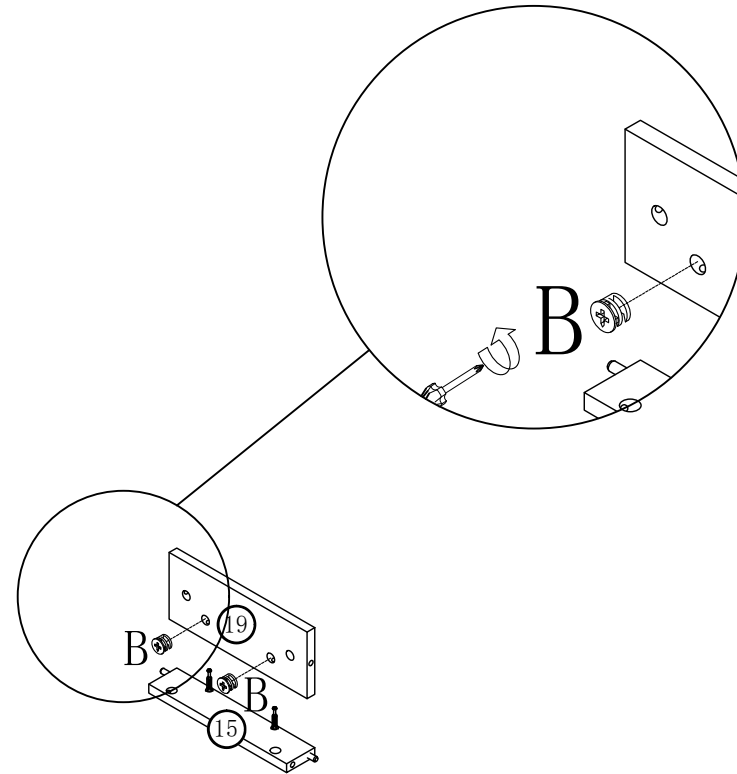
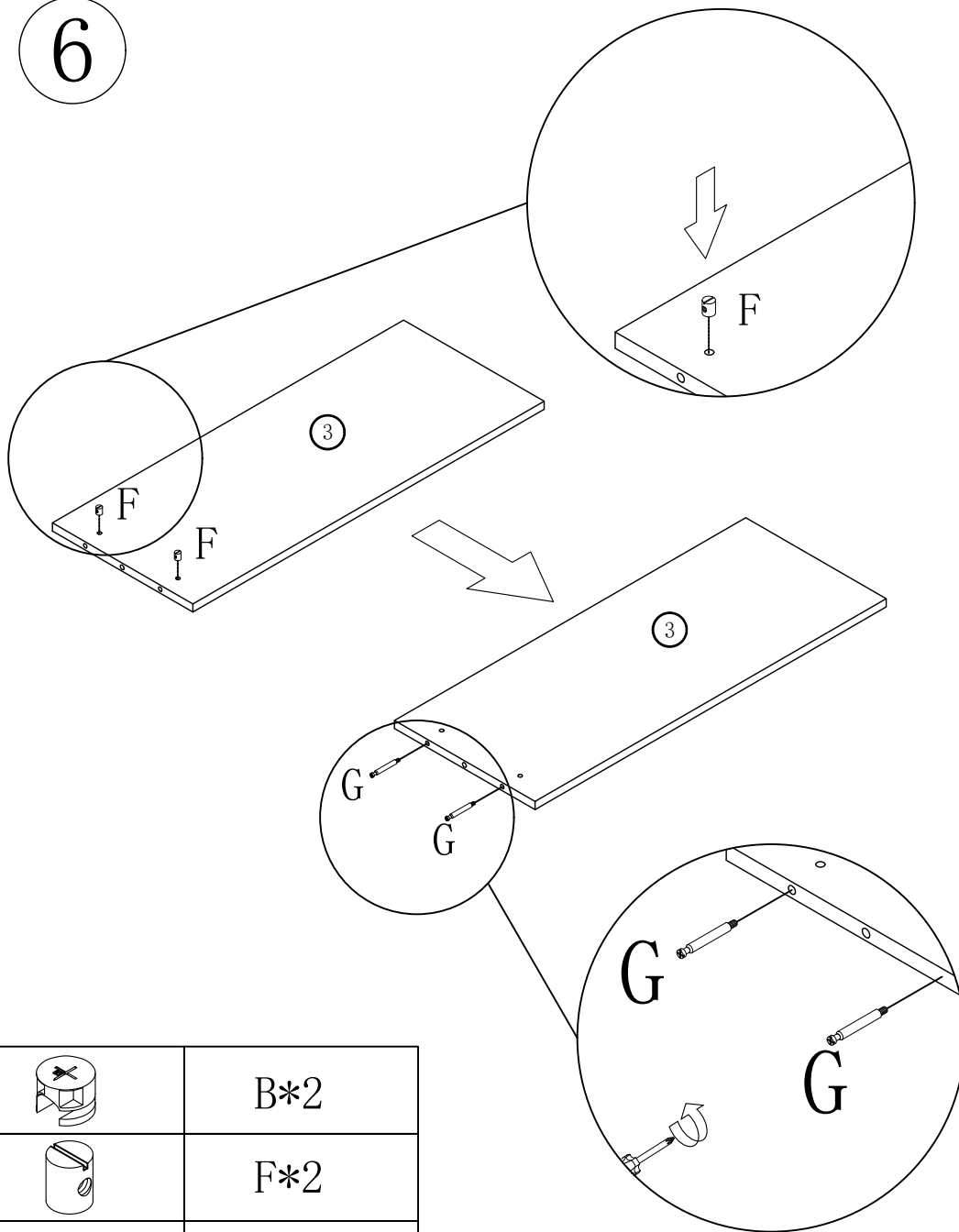
put B on board ⑪



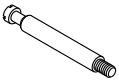
put F on board ⑨

put G on board ⑨

6

Make sure the arrow on the screw align to the hole on the side.



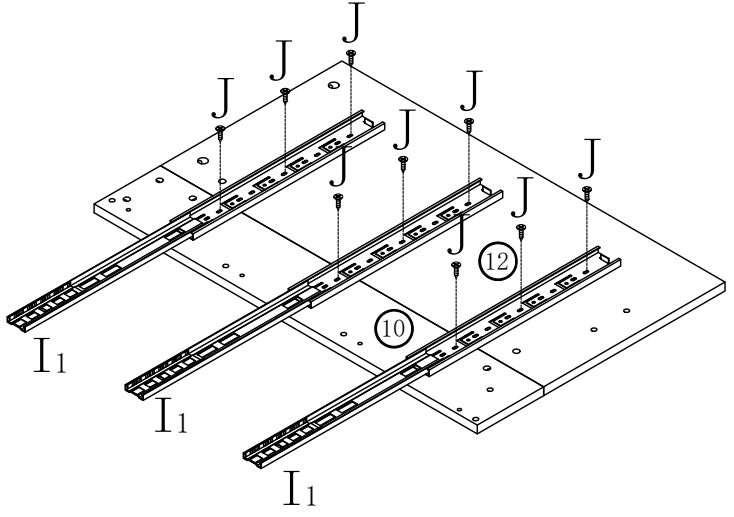
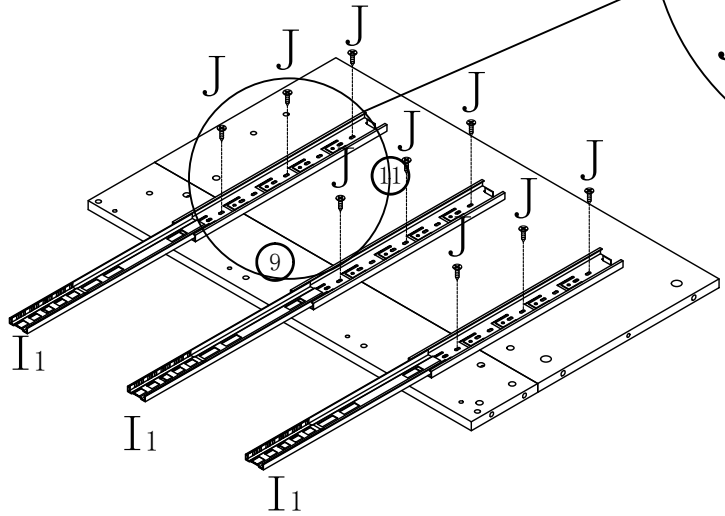
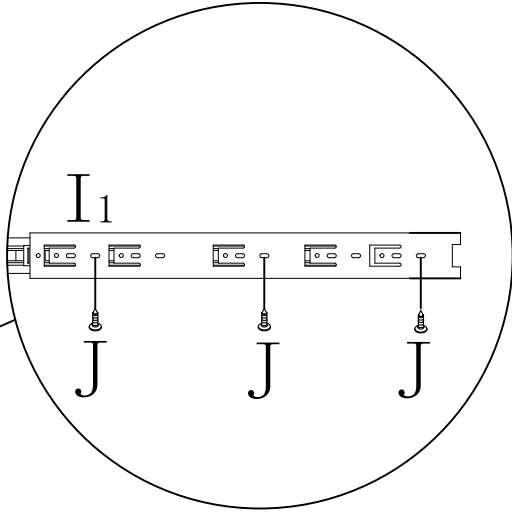
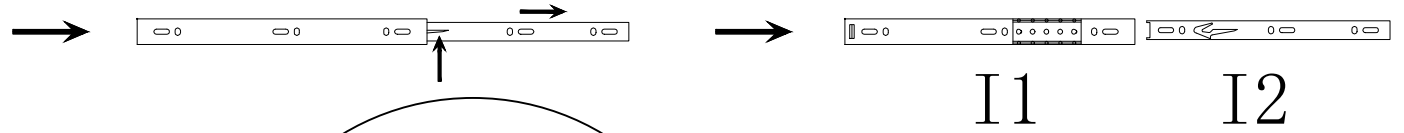
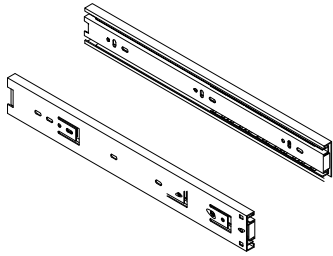
	B*2
	F*2
	G*2


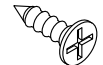
put B on board ①9

put F on board ③

put G on board ③

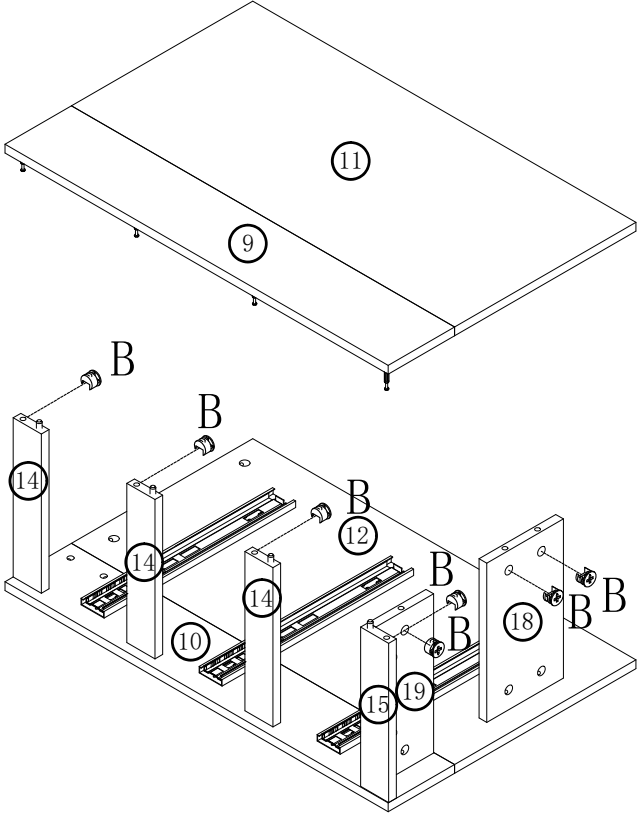
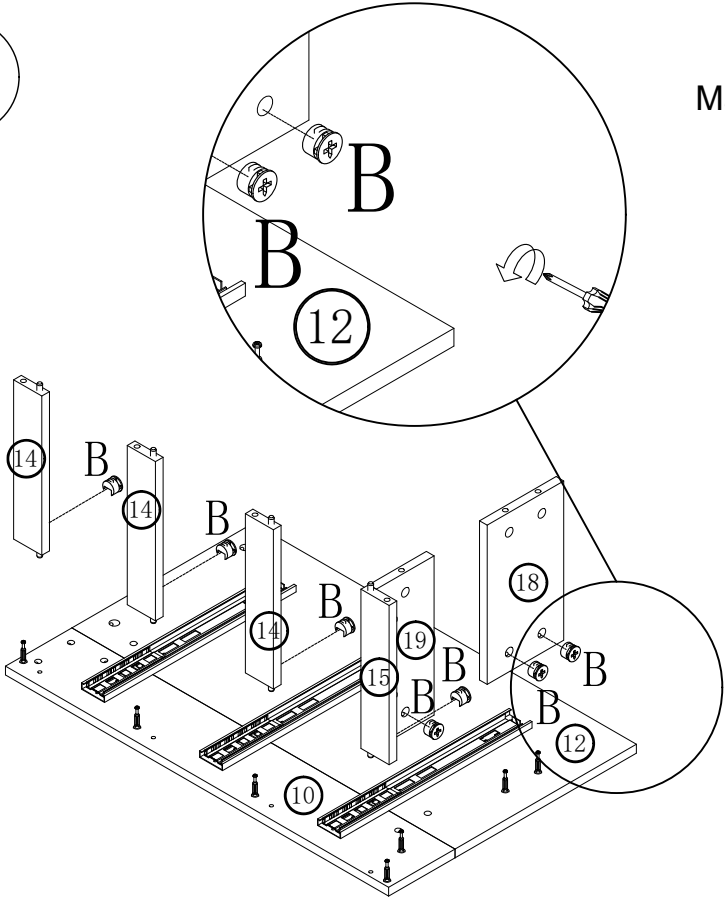
7




	I ₁ *3
	J*18

8

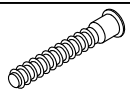
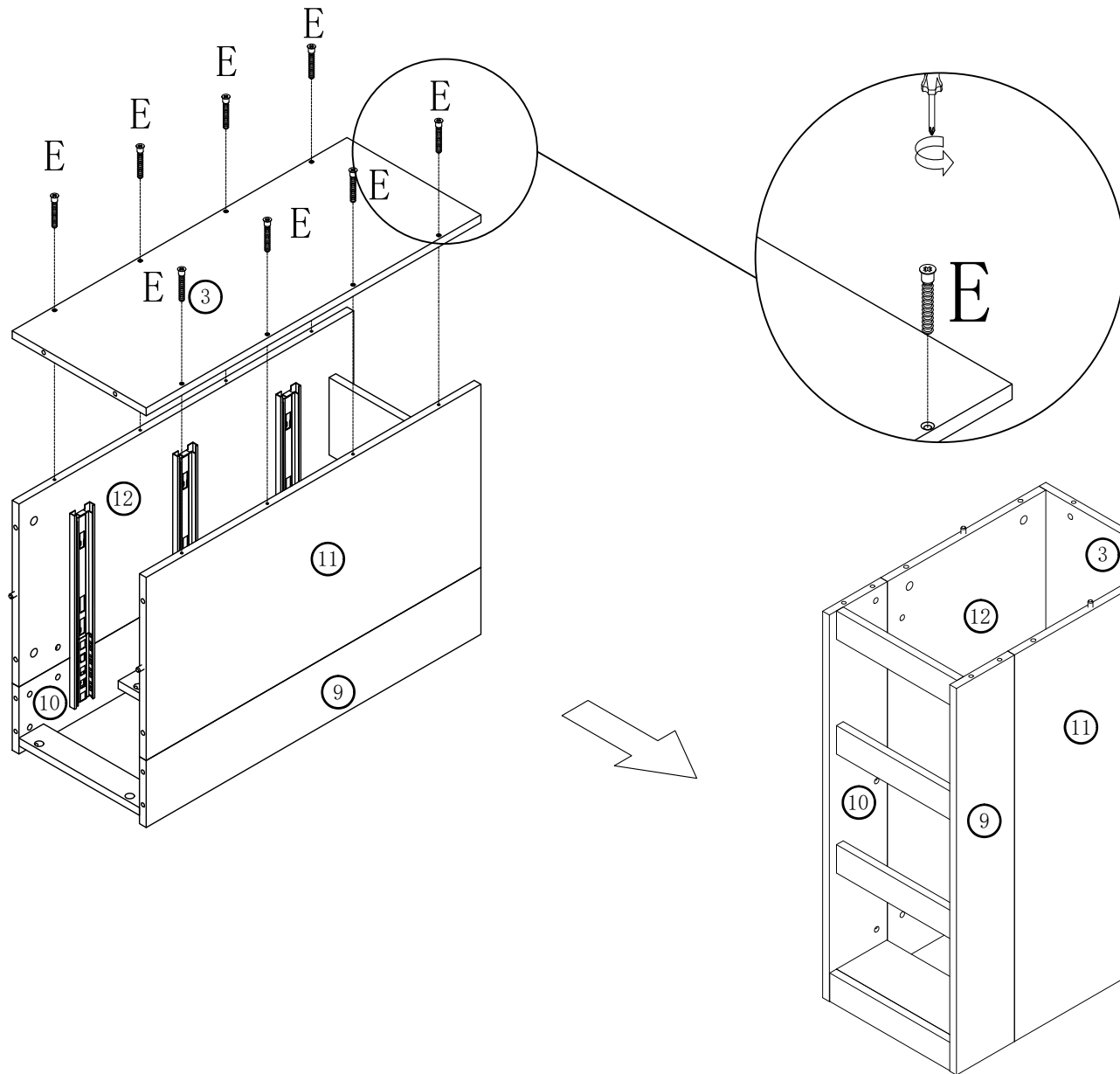
Make sure the arrow on the screw align to the hole on the side.



	B*14
---	------

put B on board 14 15 18 19

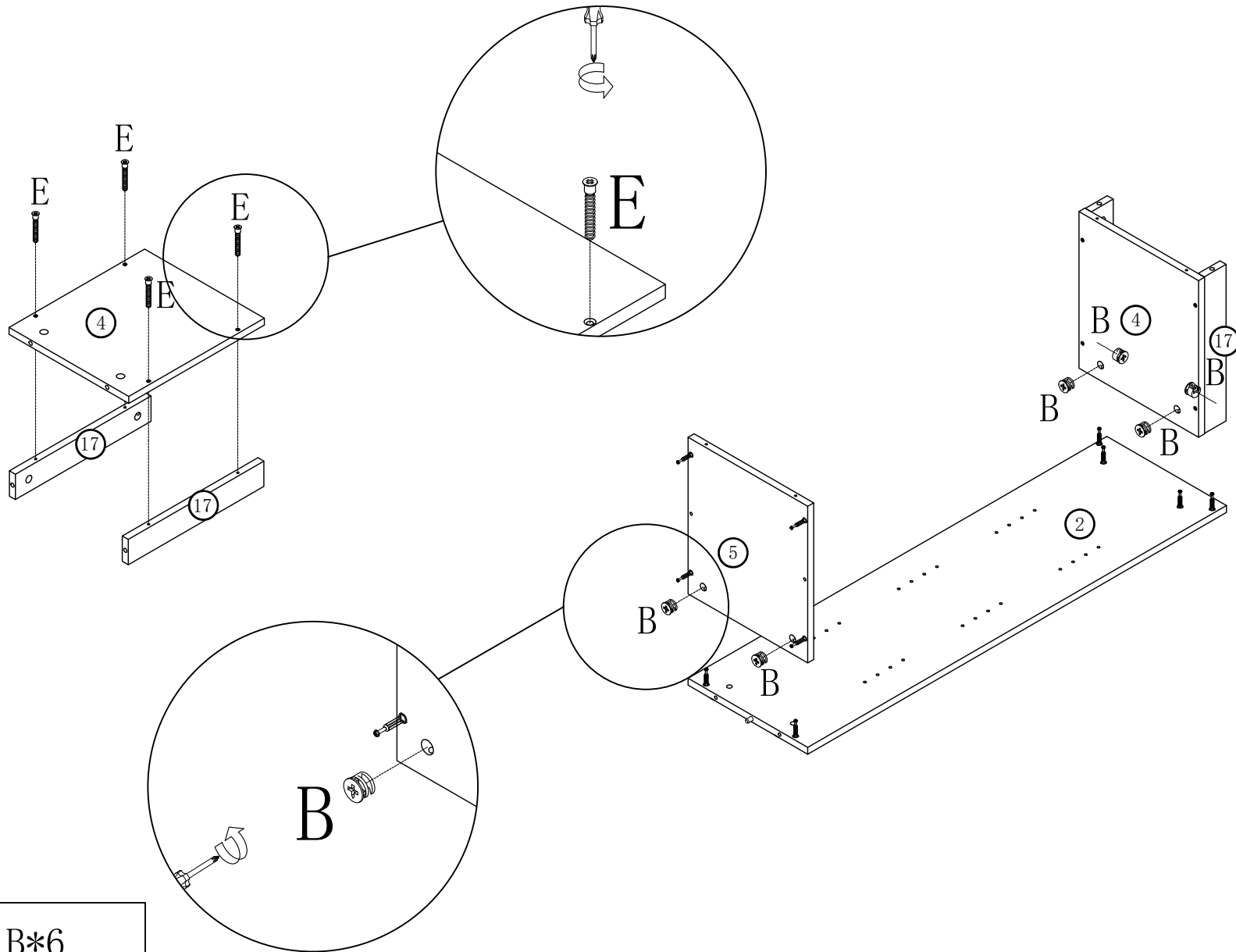
9


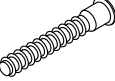


E*8

10

Make sure the arrow on the screw align to the hole on the side.

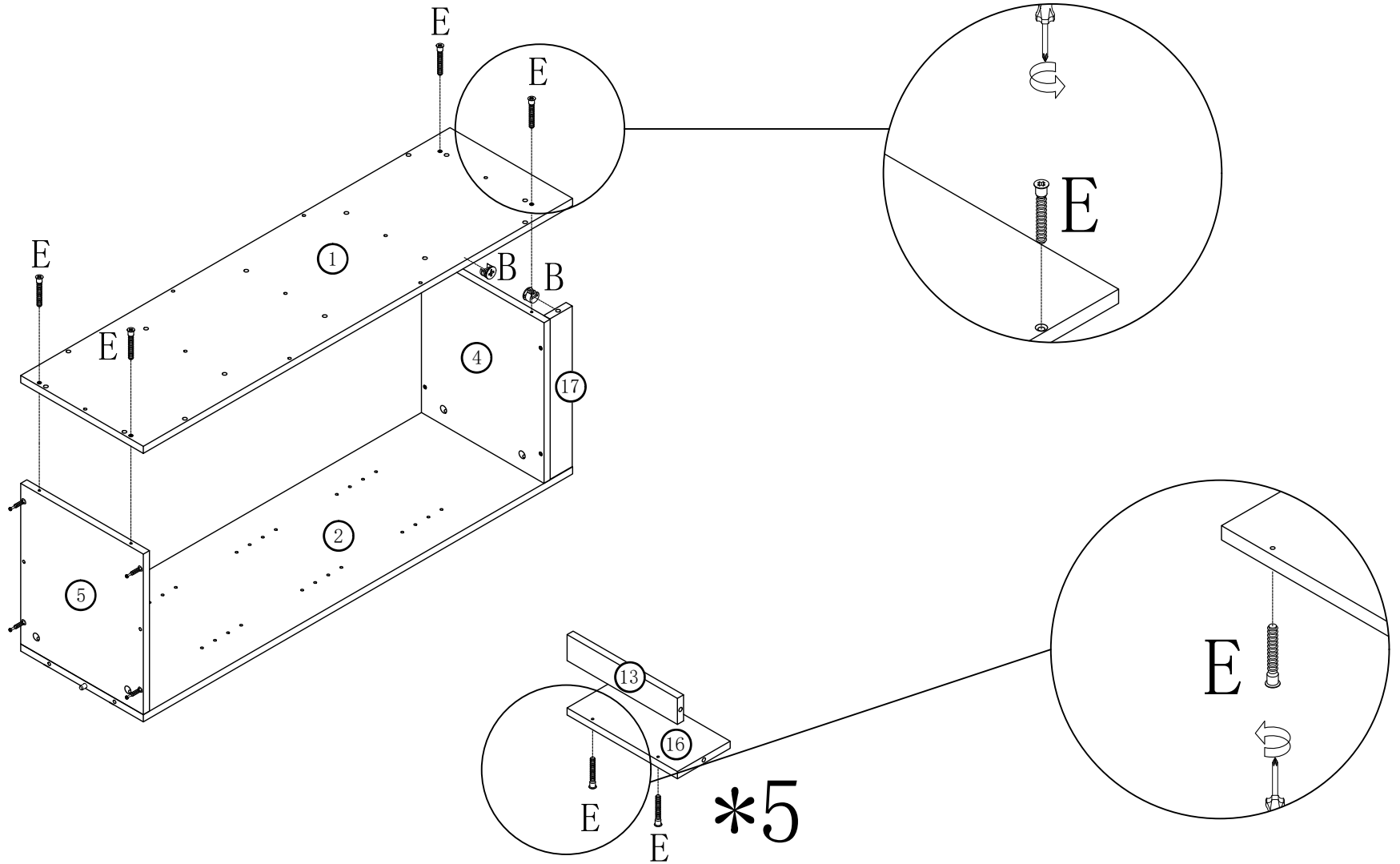



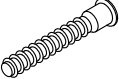
	B*6
	E*4

put B on board ④ ⑤ ⑰

11

Make sure the arrow on the screw align to the hole on the side.

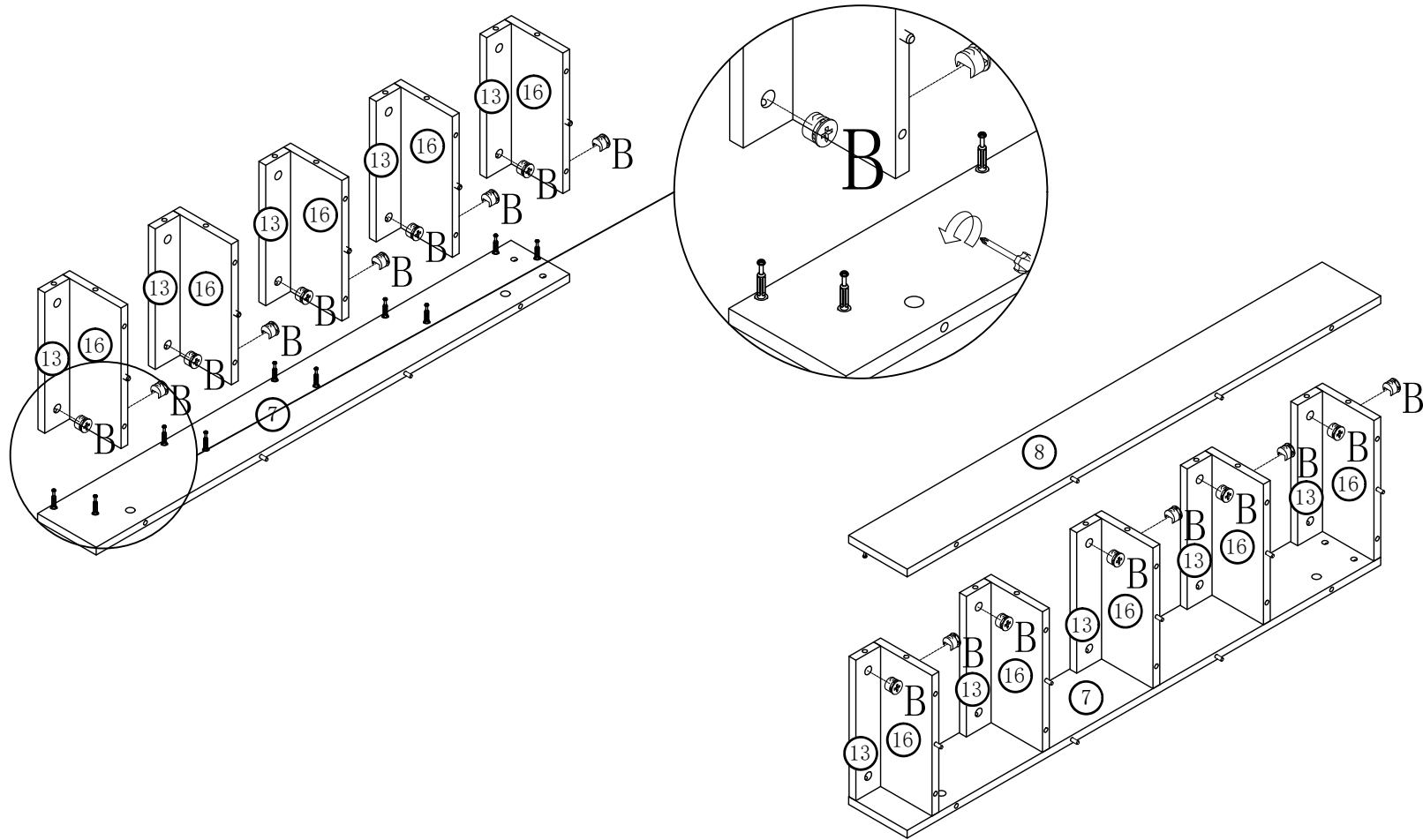


	B*2
	E*14

put B on board 17

12

Make sure the arrow on the screw align to the hole on the side.



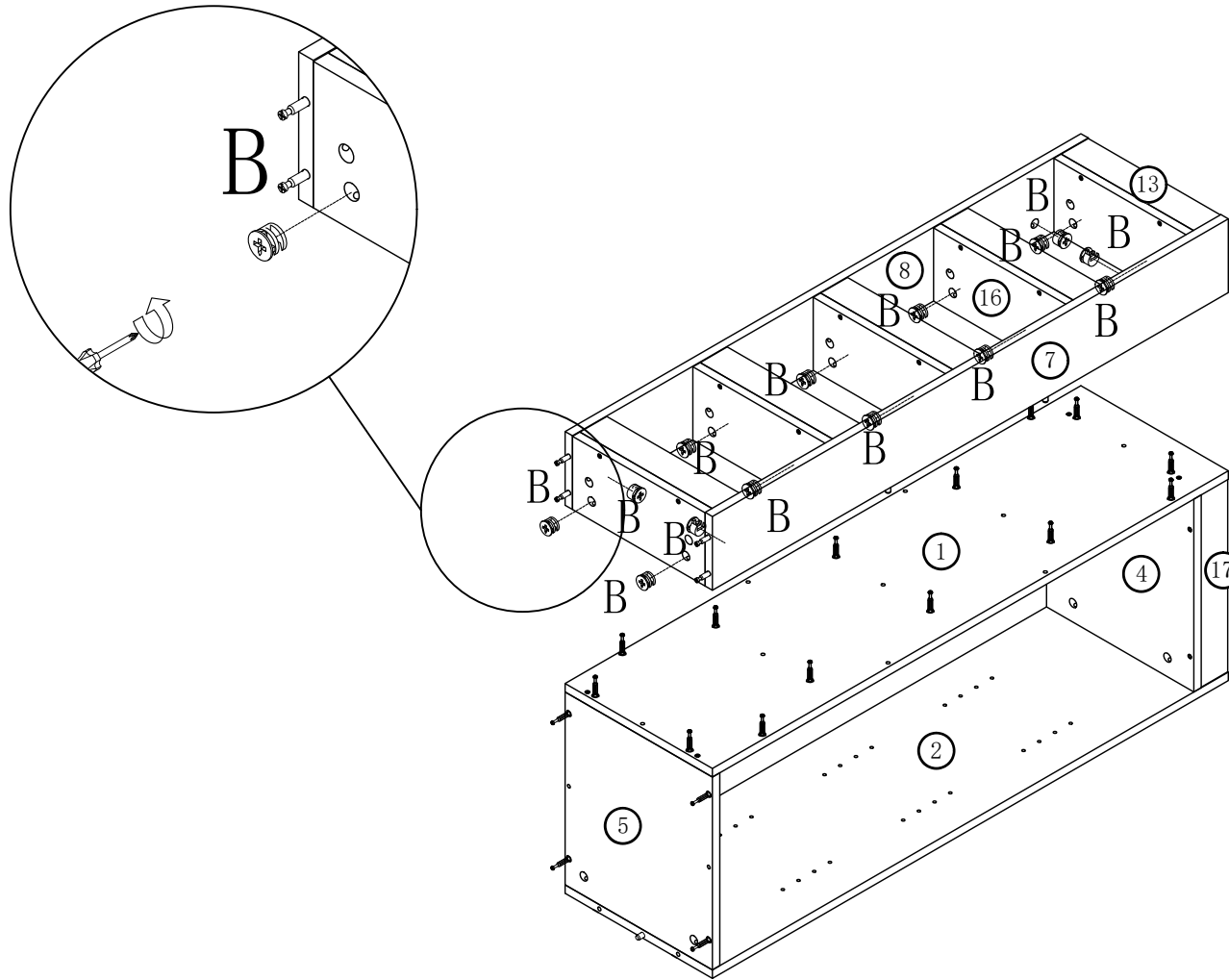
put B on board 13 16



B*20

13

Make sure the arrow on the screw align to the hole on the side.



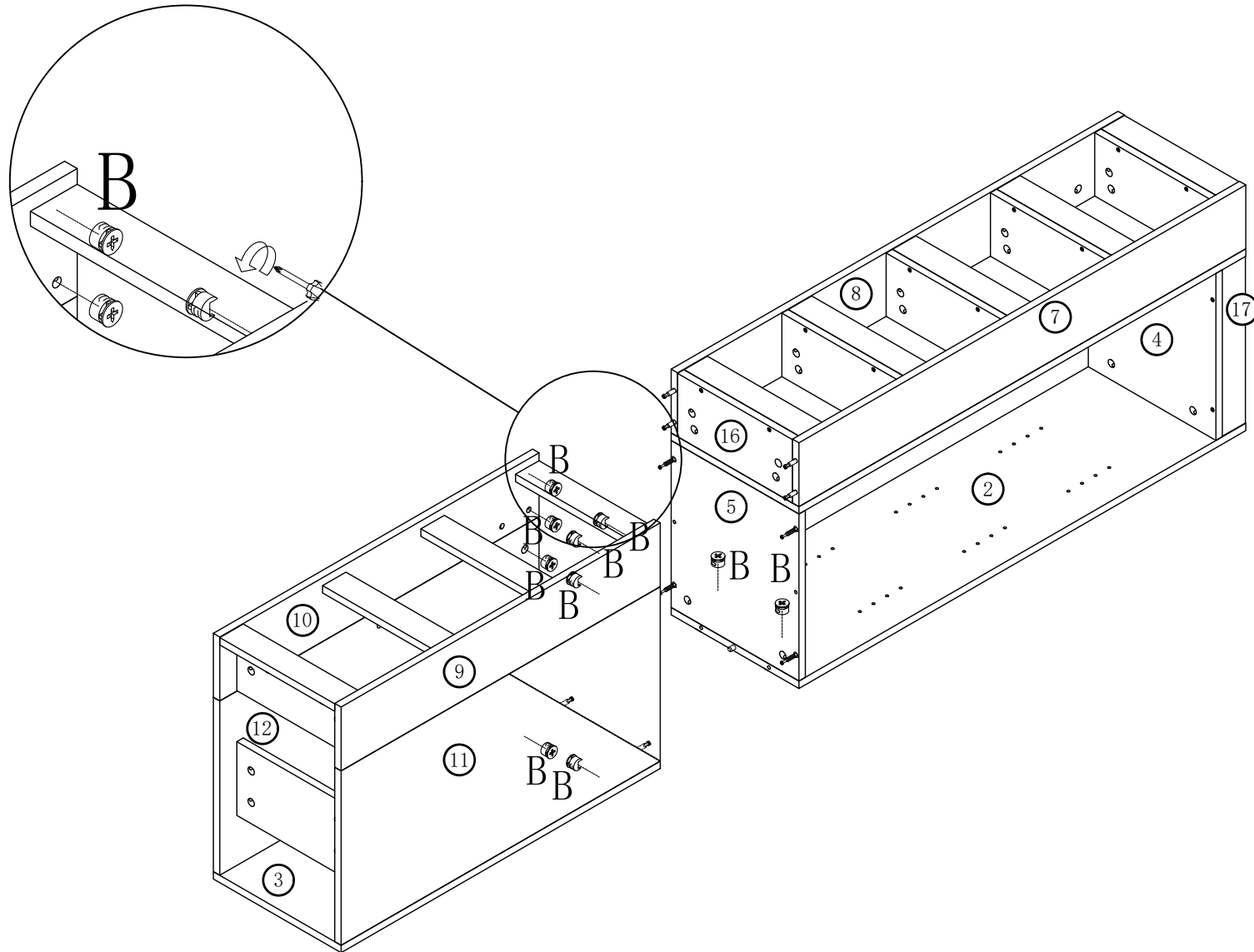
put B on board ⑦ ⑧ ⑬



B*14

14

Make sure the arrow on the screw align to the hole on the side.



put B on board 2 9 10 11 12

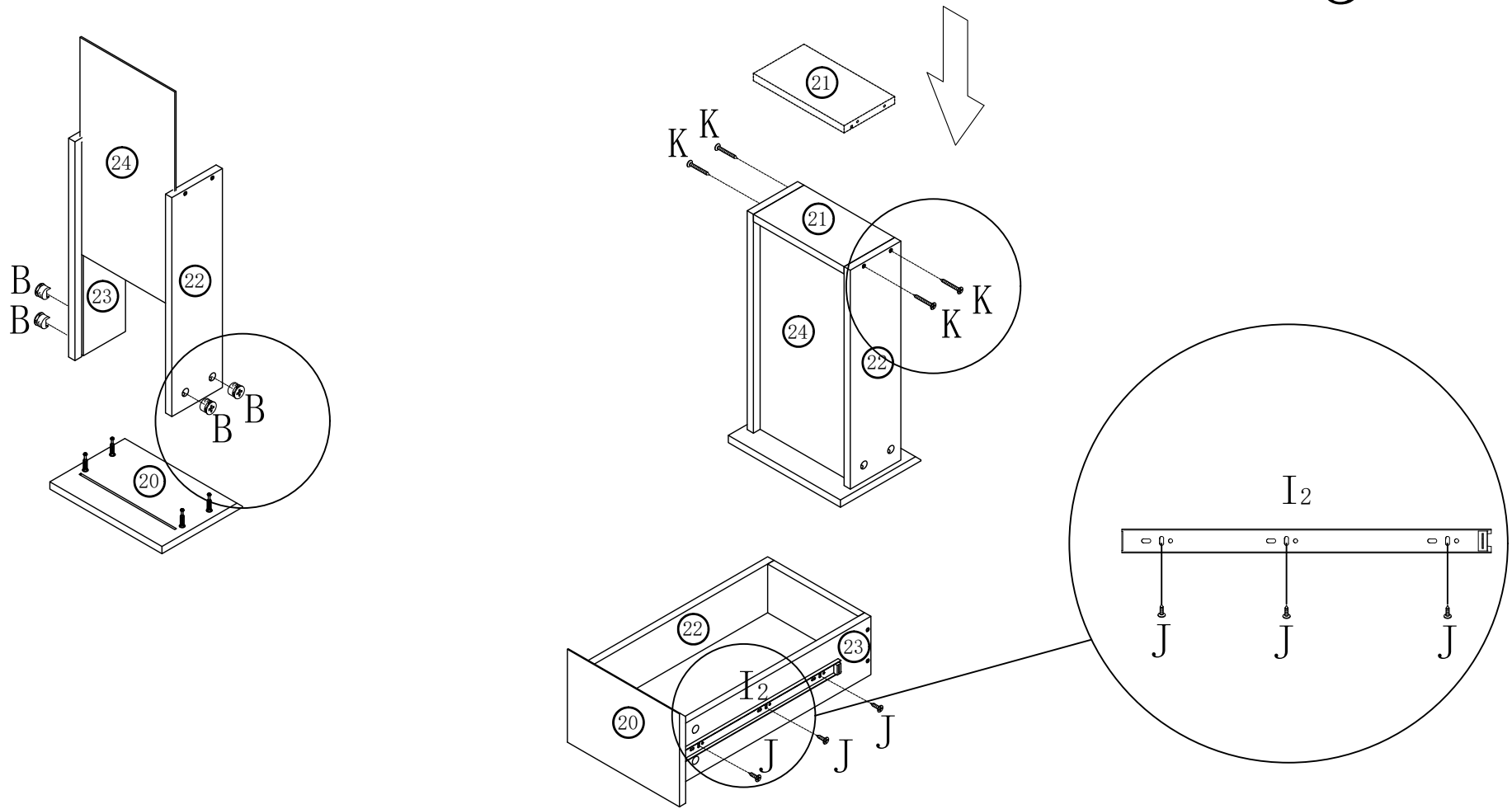



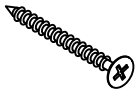
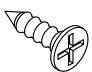

B*10

15

Make sure the arrow on the screw align to the hole on the side.

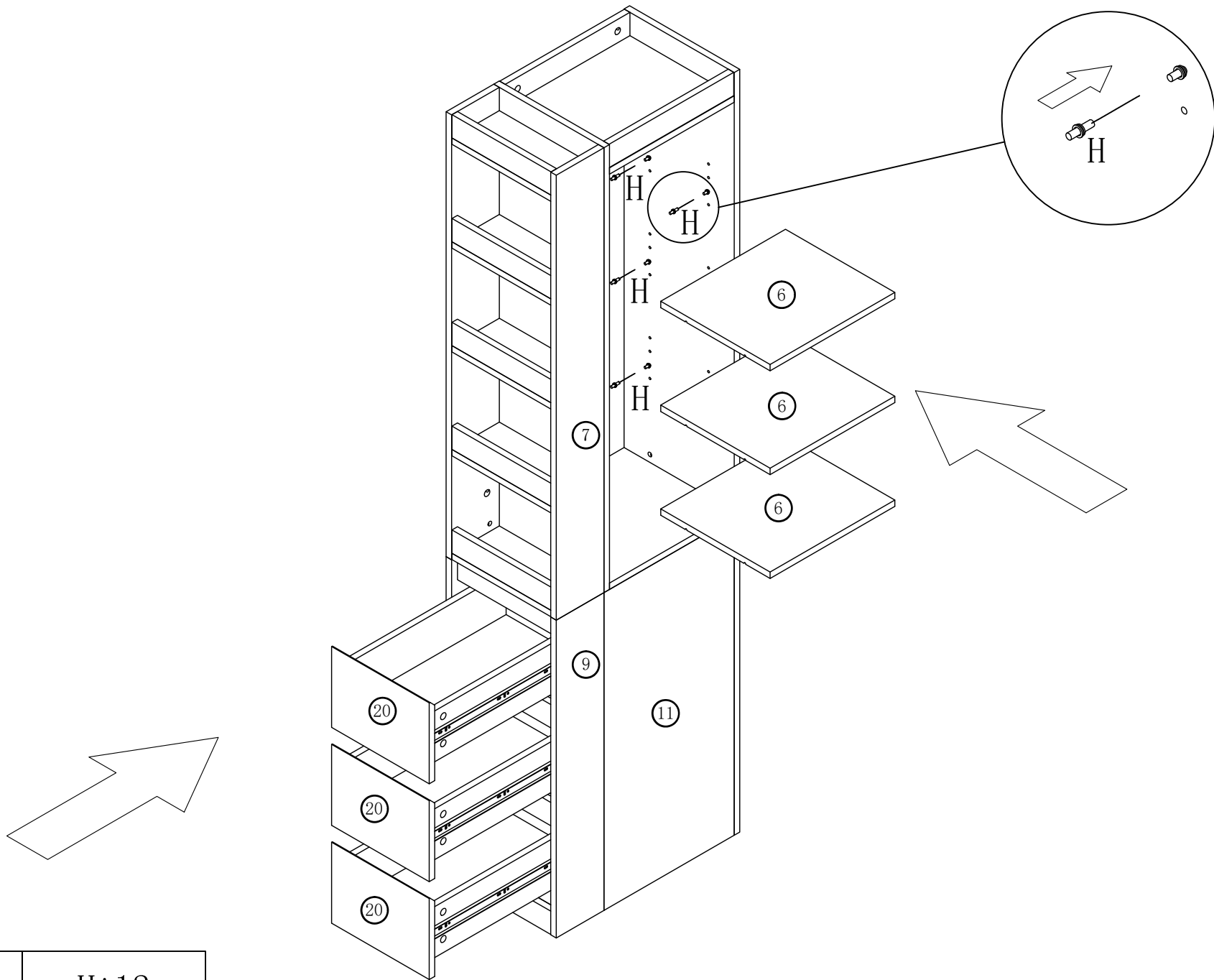
*3



	B*12		K*12
	J*18		I ₂ *3

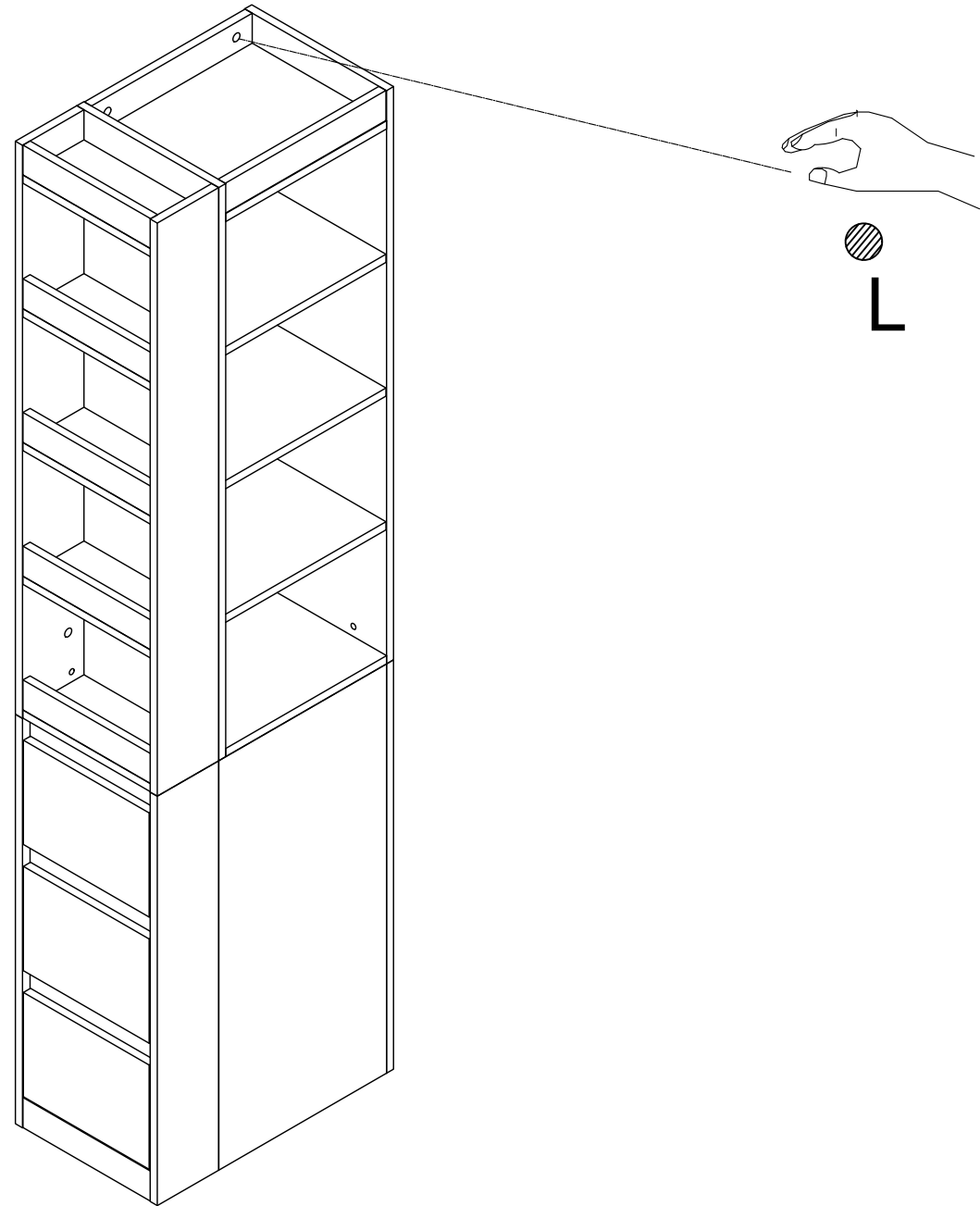
put B on board (22) (23)

16



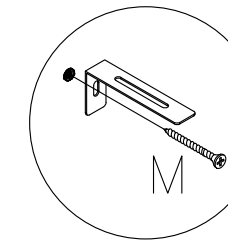
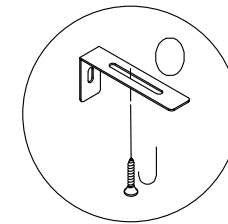
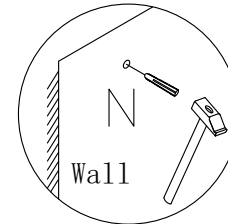
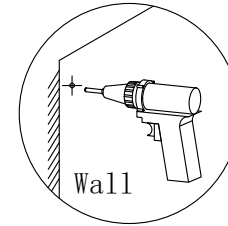
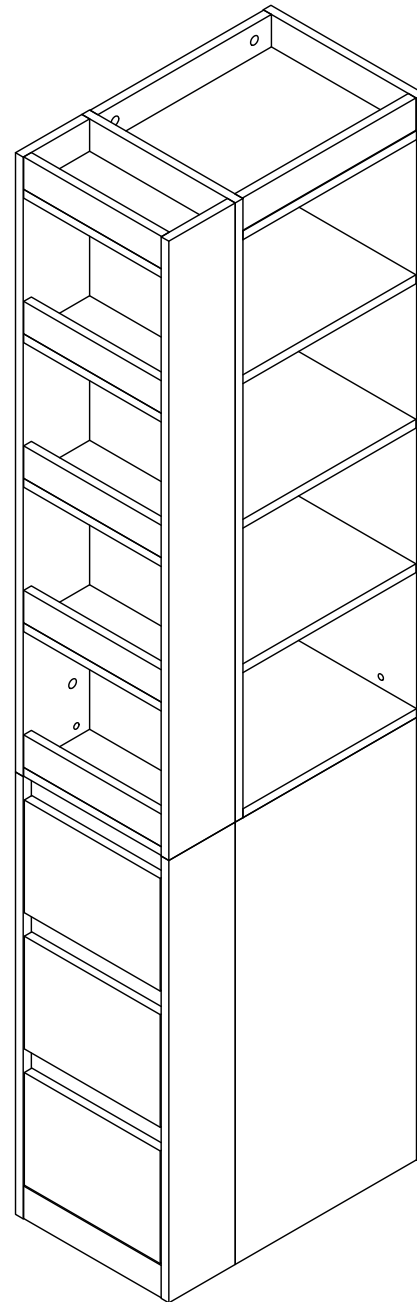
H*12

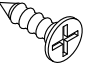
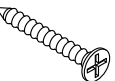

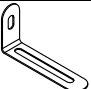
17



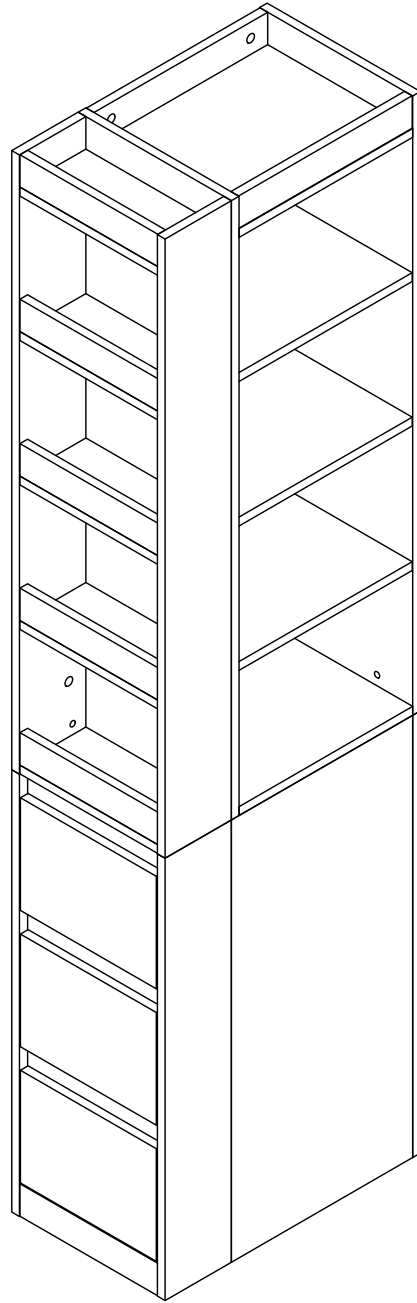
L*46

18



	J*2
	M*2
	N*2
	O*2

19



END