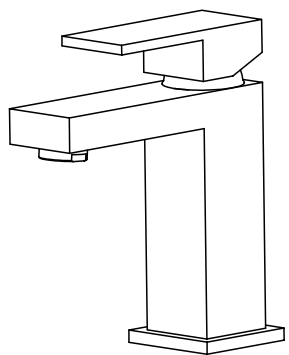


INSTALLATION MANUAL



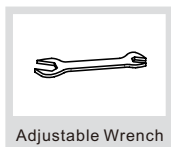
Tools you will need (Not included)



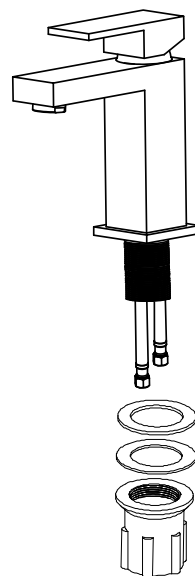
Phillips Screwdriver



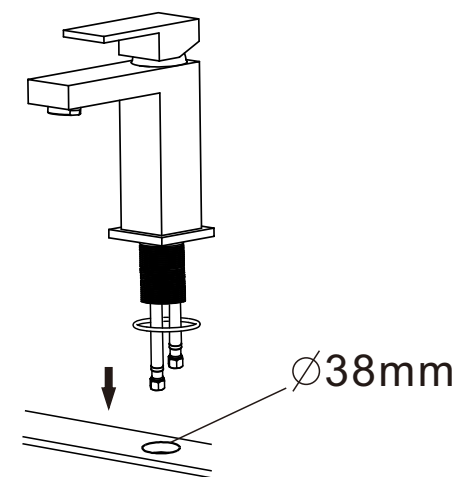
Safety Goggles



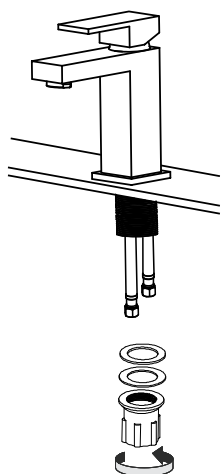
Adjustable Wrench



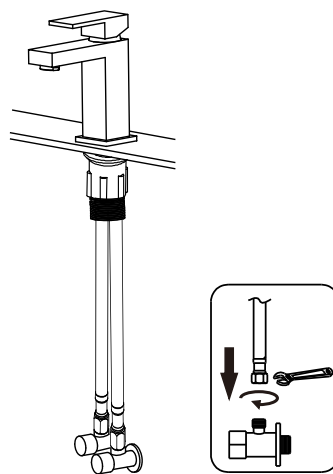
Step 1: Remove mounting hardware
Remove rubber washer, plastic washer, mounting nut and mounting screws .



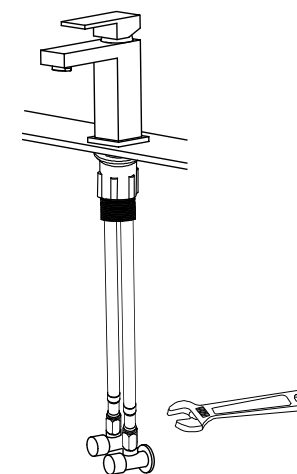
Step 2: Faucet installation
Install the faucet body through the predrilled hole in the countertop.



Step 3: Install mounting hardware
Attach the rubber washer, plastic washer, mounting nut, and mounting screws from underneath the sink. Tighten the mounting nut and screws until snug

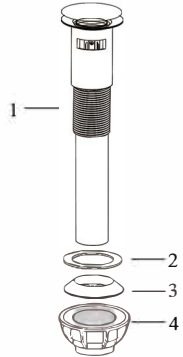


Step 4: Connect waterlines
Connect waterlines to hot and cold copper lines. Connect waterlines to angle stops. Tighten both ends of waterlines with a wrench until snug.



Step 5: Flush spray hose
Remove aerator using wrench. Turn faucet on to the full on mixed position and let the water run for 60 seconds to flush any debris

INSTALLATION



- ① Unscrew components the locknut(4), rubber gasket(3), and rubber washer(2) from the drain body(1).
- ② Insert the drain body through the hole in the sink.
- ③ Screw the rubber washer, rubber gasket (Tapered side up), and locknut back to the drain body in turn. Tighten the locknut.
- ④ Connect tail piece to the Drain Pipe.

INSTALLATION CHECKOUT

- ① Ensure all coupling nuts are tightened.
- ② Turn on main water supply. Turn on or shut off the drain. Check for leaks. Repair as required.

CLEANING INSTRUCTIONS

Finishes: Clean the finish with mild soap and warm water. Wipe entire surface completely dry with clean soft cloth. Do not use abrasive cleaners or solvents on faucets and fittings, it would damage to products. Do not use ammonia, chlorine, toilet cleaner etc, which also could adversely affect the finish.

Bathroom Faucet User Manual

