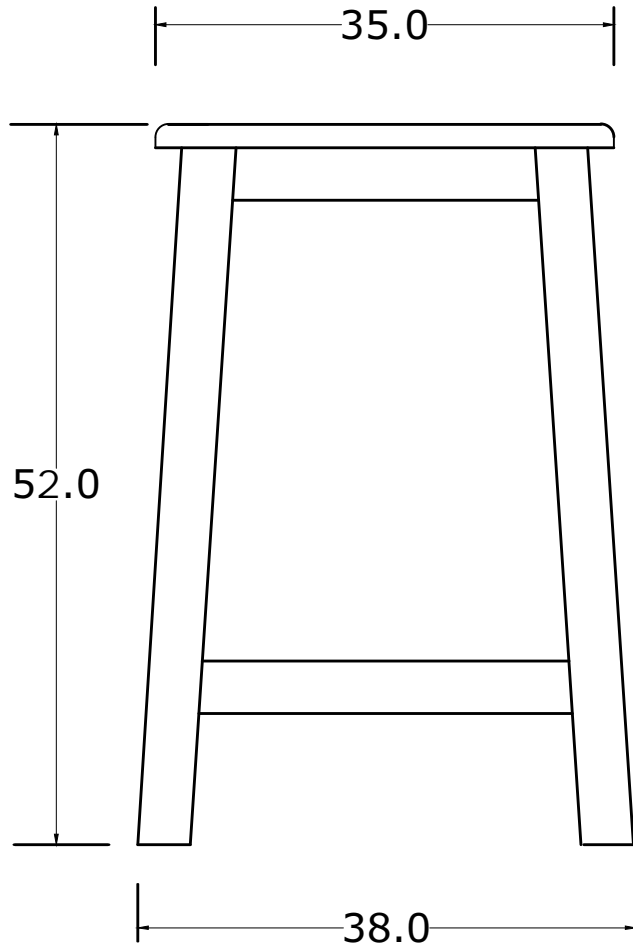


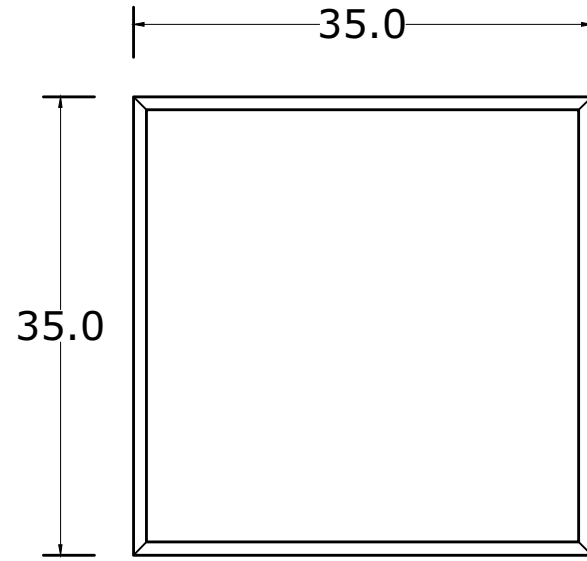
Technical Drawing

Stool





FRONT SIDE



TOP VIEW