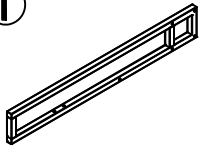


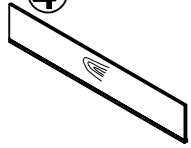
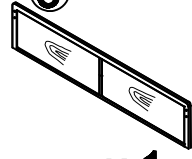
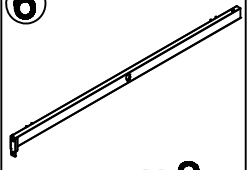
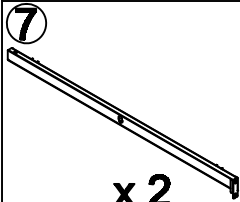
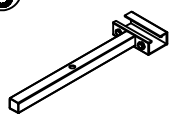

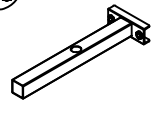

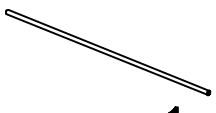
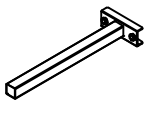

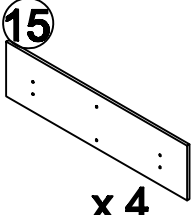
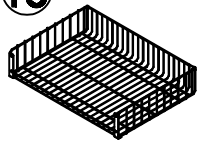
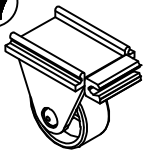
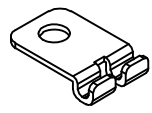
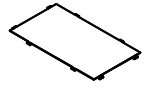
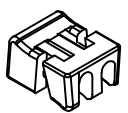
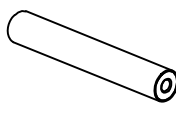
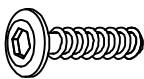
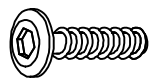



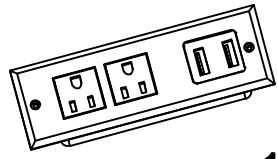

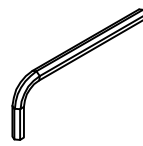
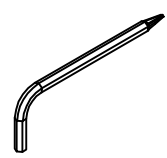





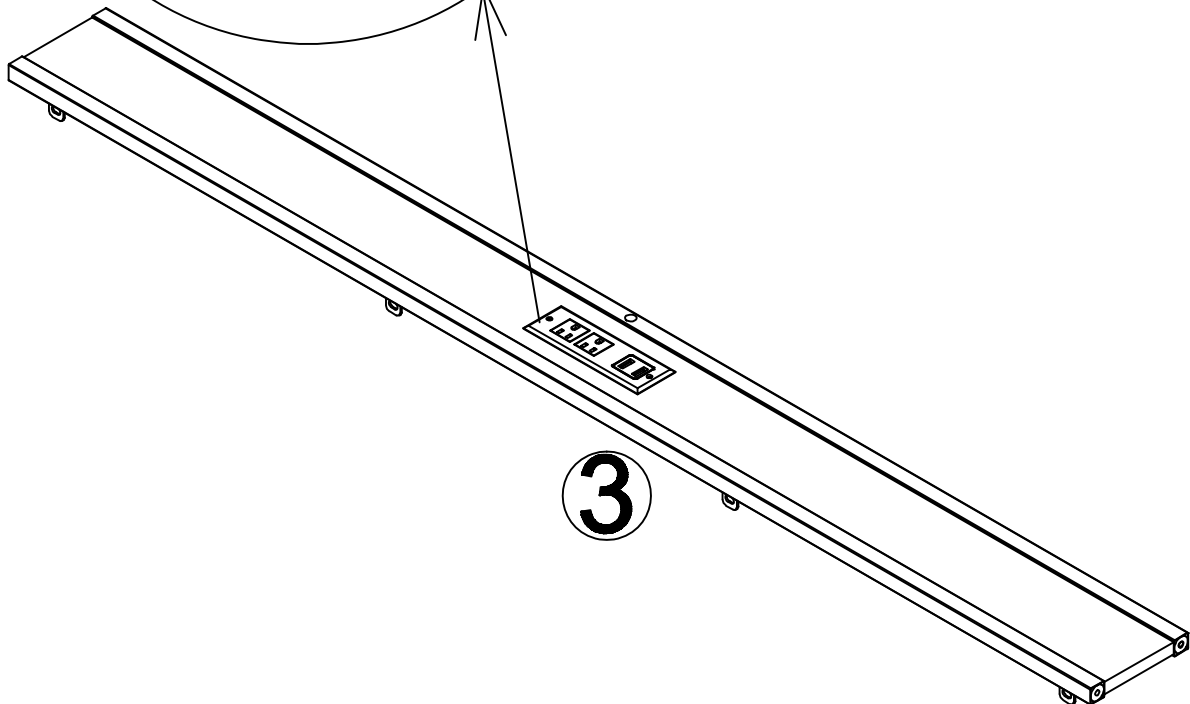
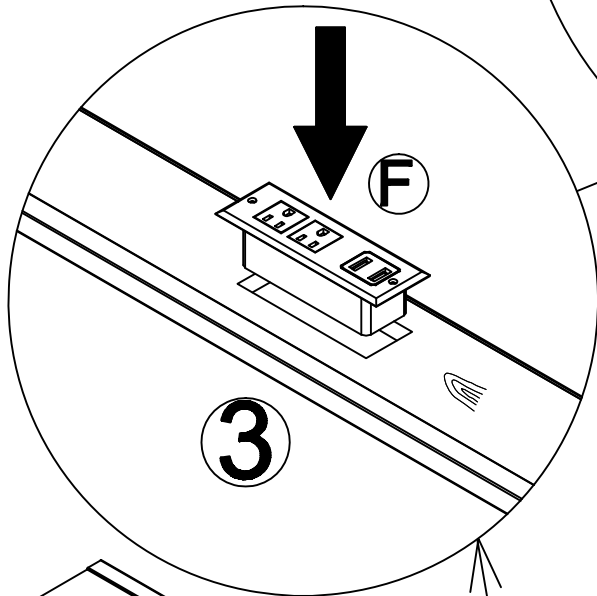
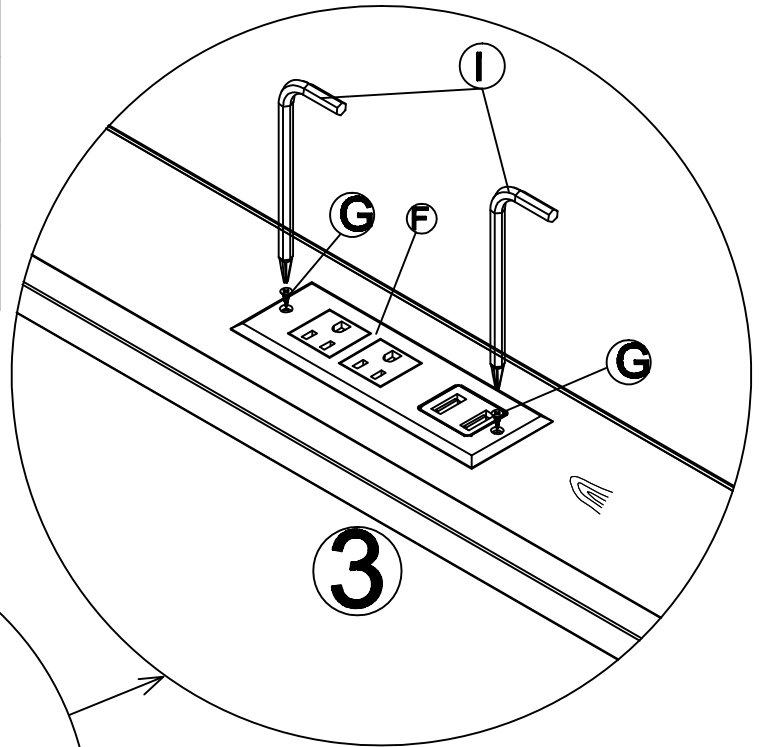
**Please don't tighten the screws completely
and go back later for a final tightening of all the
screws after pieces are aligned with each other.**

①  x 2	②  x 1	③  x 1	④  x 1	⑤  x 1	⑥  x 2
⑦  x 2	⑧  x 2	⑨  x 4	⑩  x 2	⑪  x 4	⑫  x 1
⑬  x 4	⑭  x 8	⑮  x 4	⑯  x 4	⑰  x 20	⑱  x 4
⑲  x 4	⑳  x 8	㉑  x 1			



A  M6 x 12 mm x29	B  M6 x 25 mm x8	C  M6 x 35 mm x26
D  M6 x 50 mm x8	E  M8 x 35 mm x8	F  x 1
G  Ø3x10mm x2	H  4 # x1	I  4 # x1

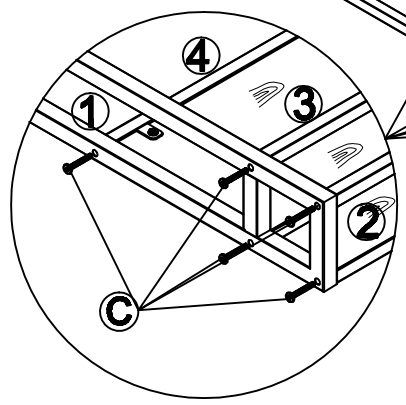
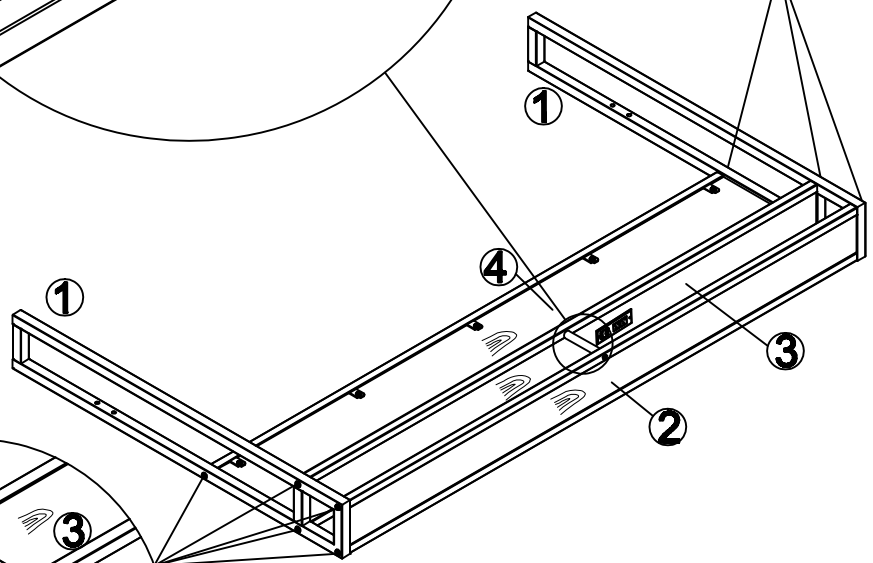
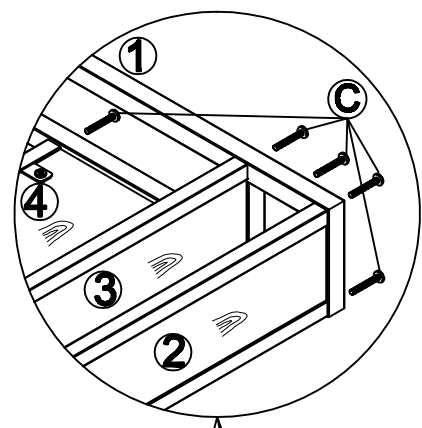
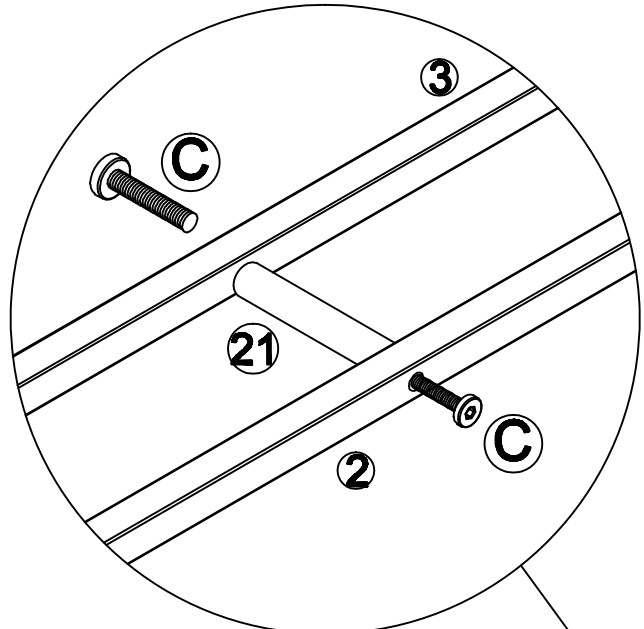
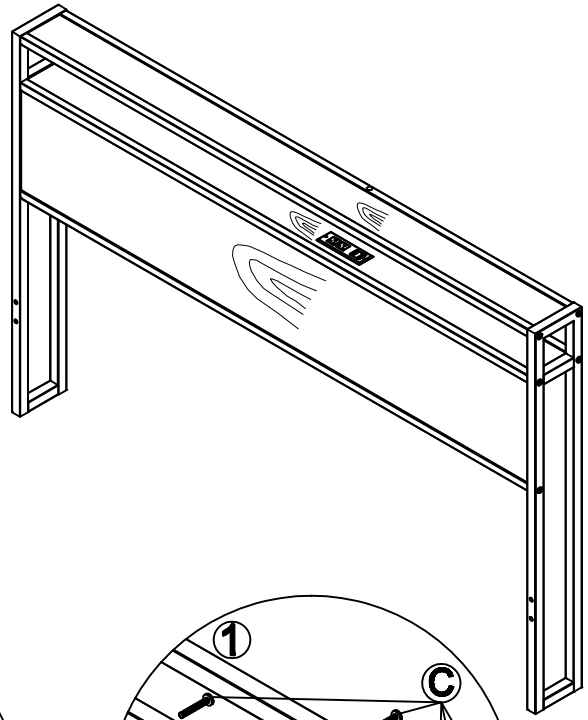
Step 1

G		Ø3 x 10	2pcs
F			1pcs
I		4 #	1pcs





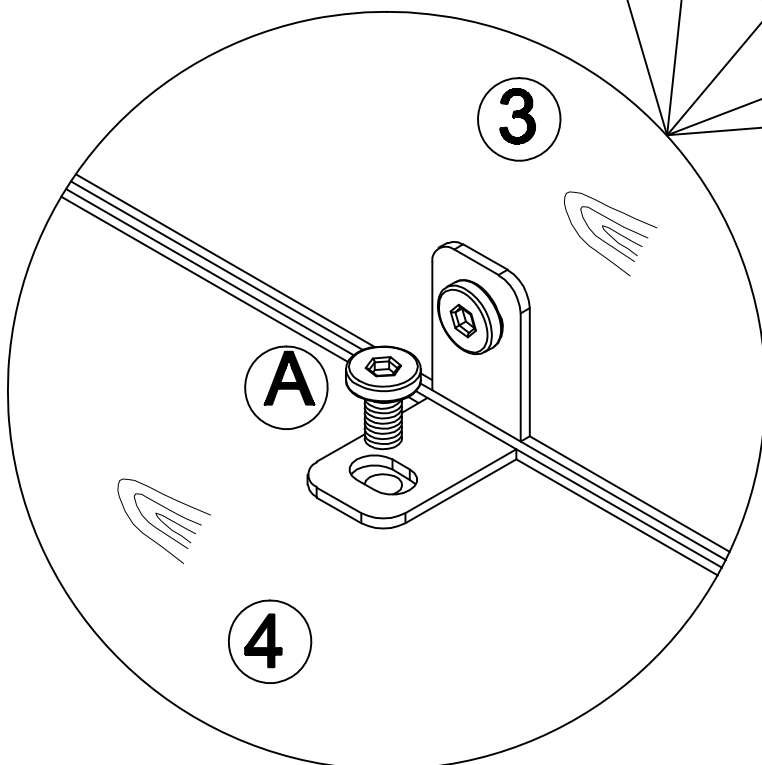
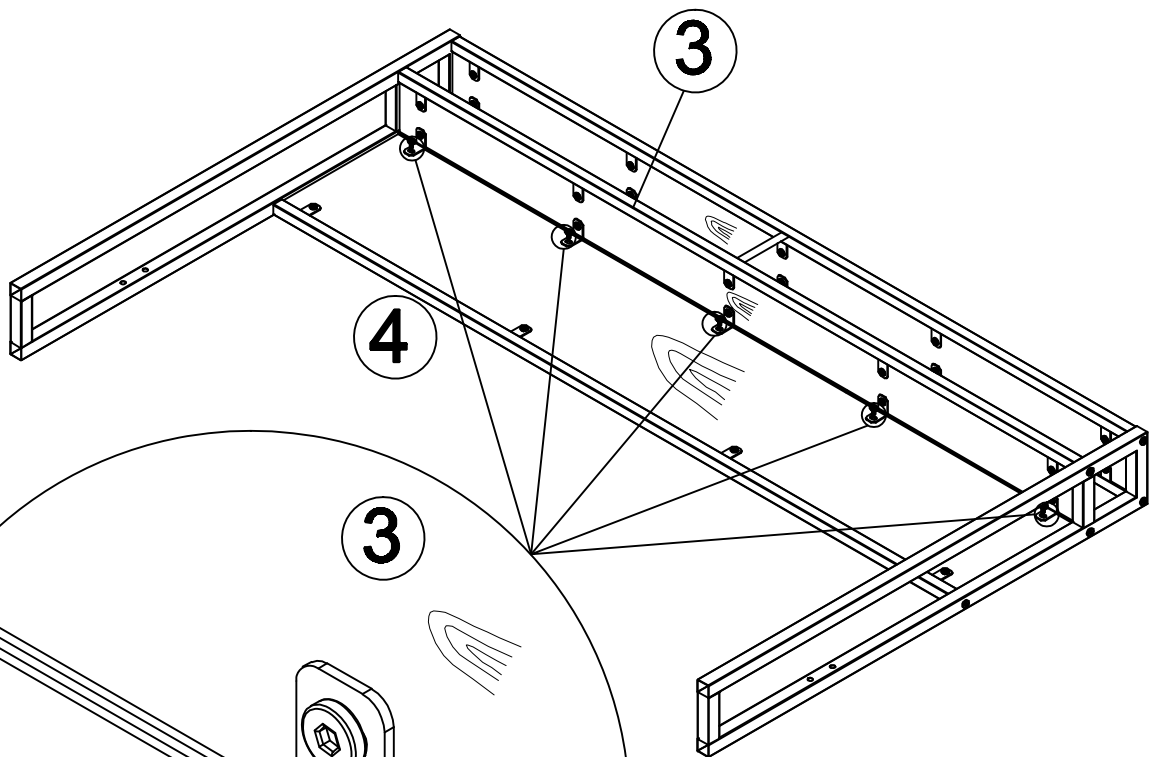
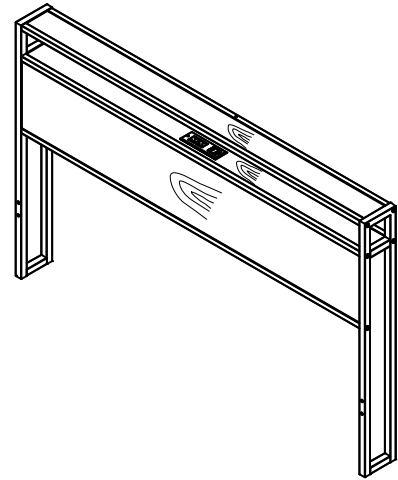
Step 2

C		M6 x 35	12pcs
H		4 #	1pcs






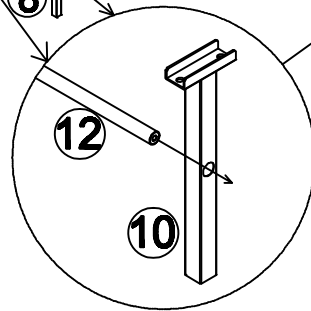
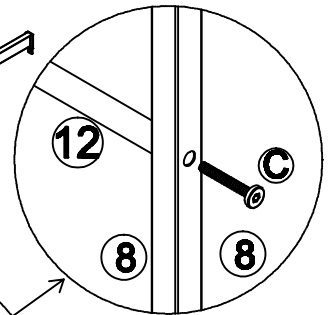
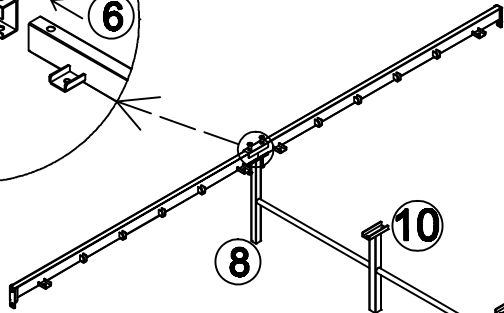
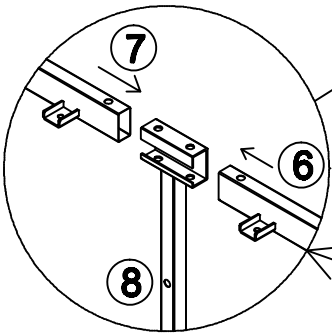
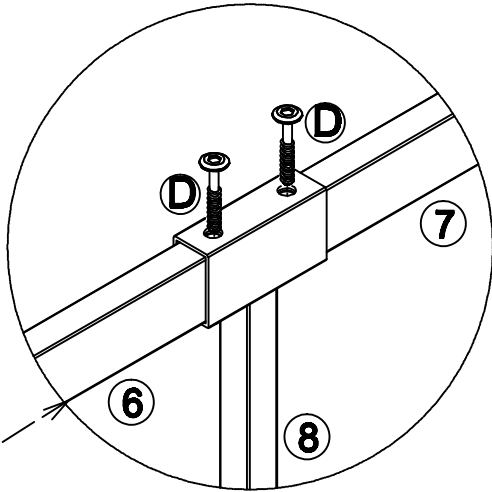
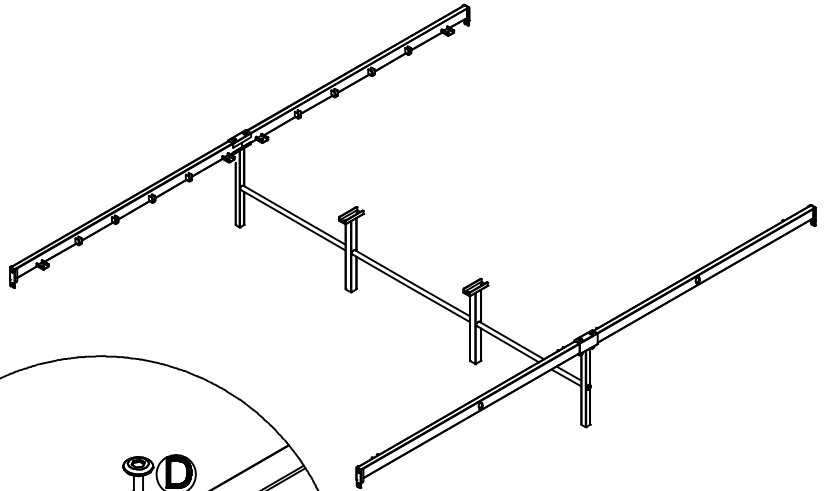
Step 3

A		M6 x 12	5pcs
H		4 #	1pcs





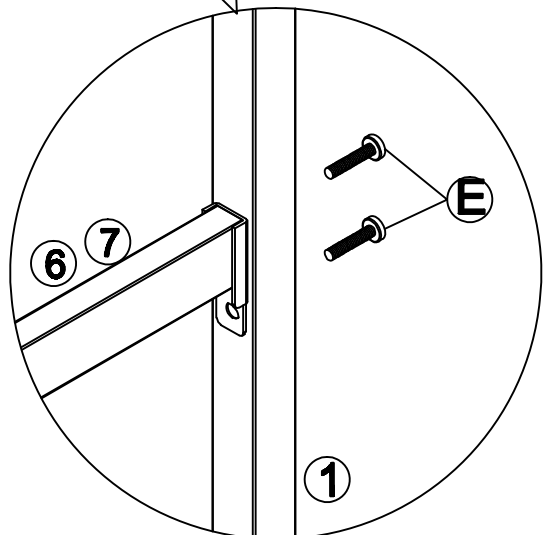
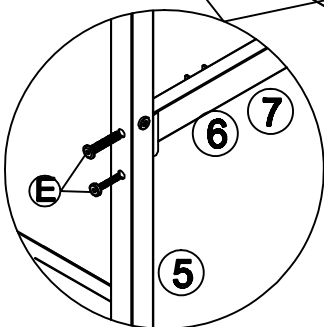
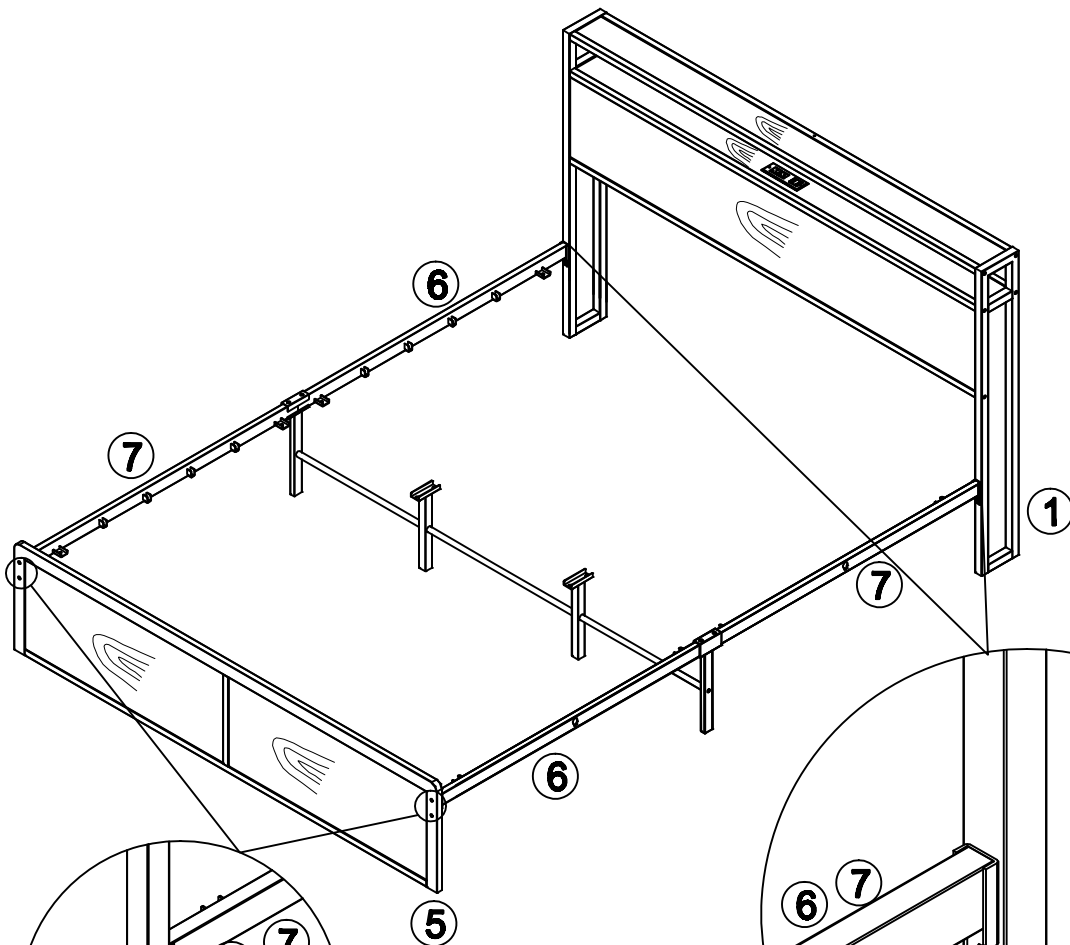
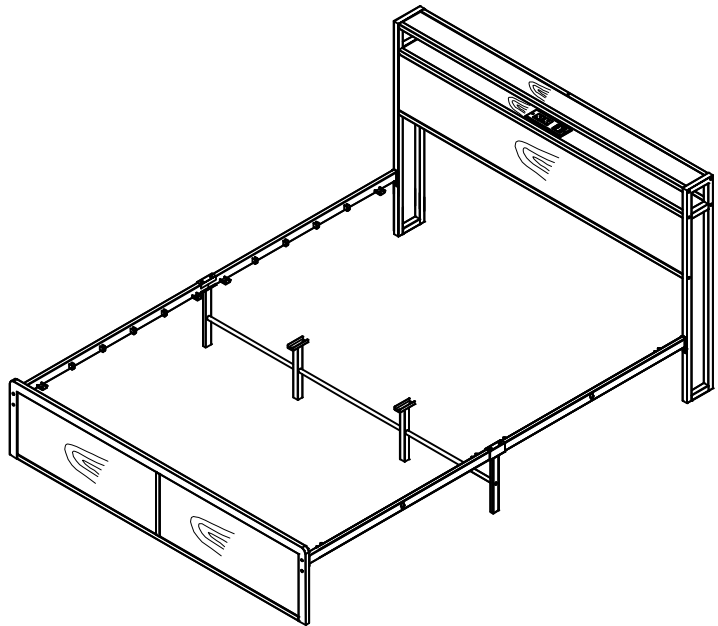
Step 4

C		M6 x 35	2pcs
D		M6 x 50	4pcs
H		4 #	1pcs





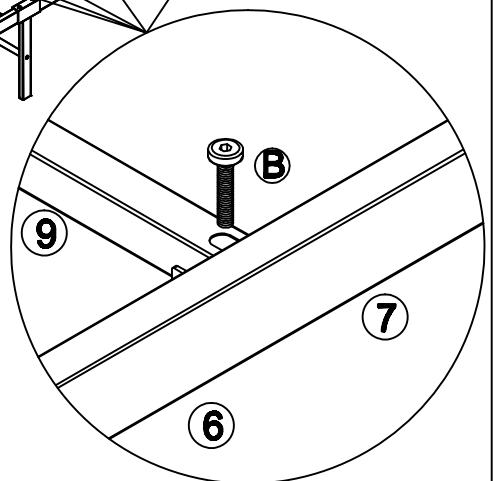
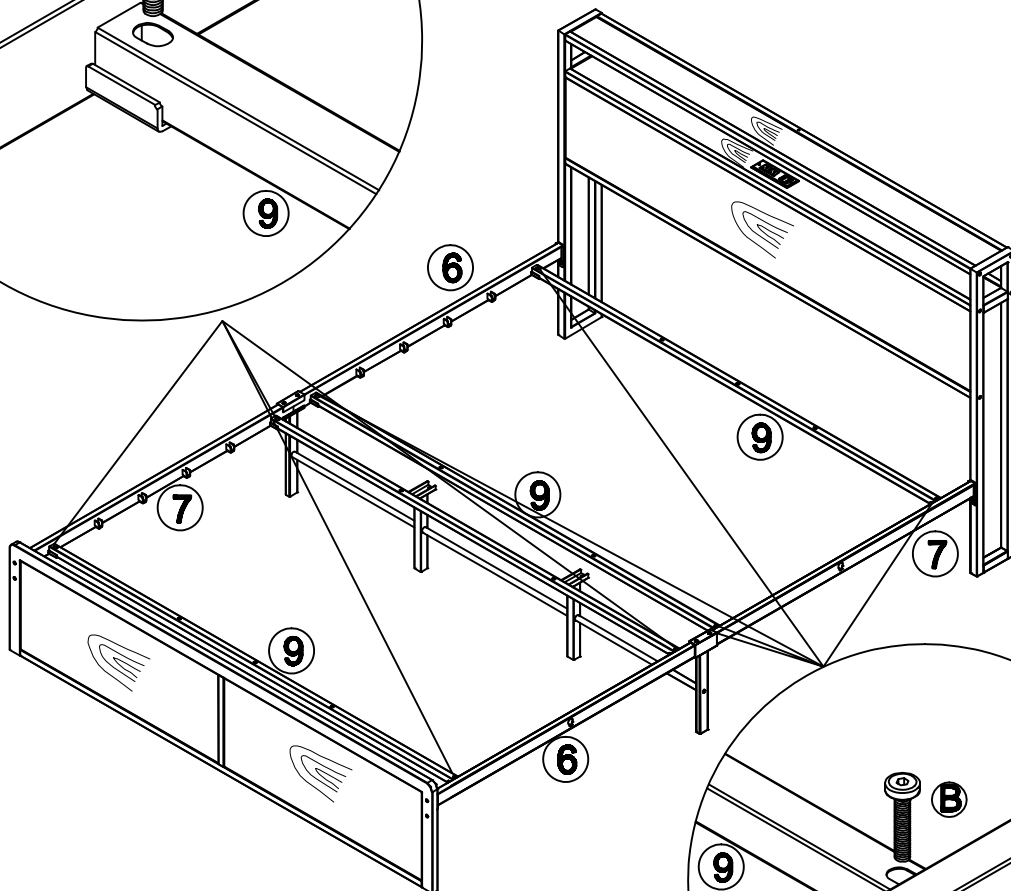
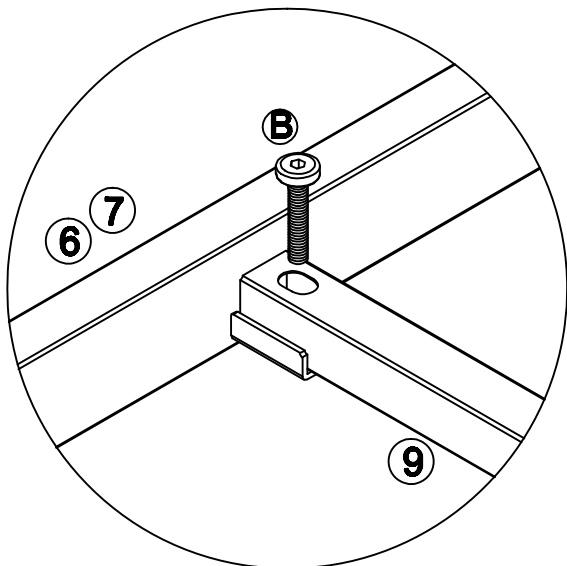
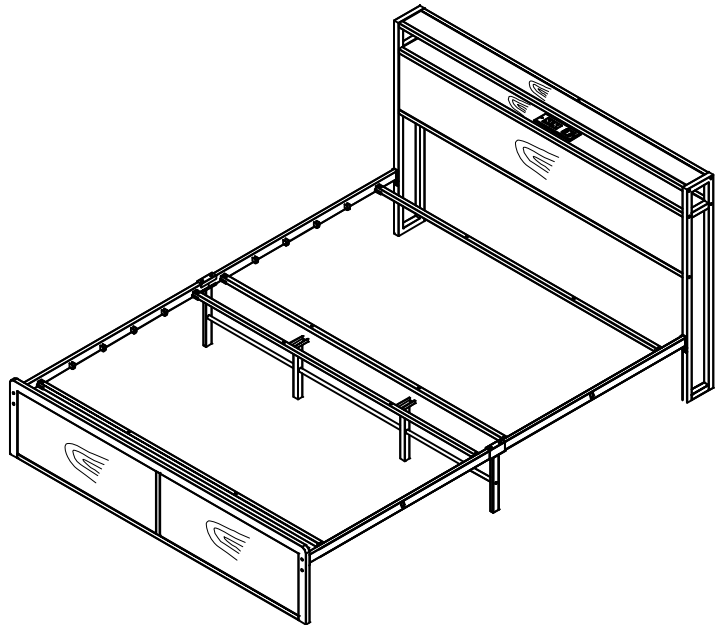
Step 5

E		M8 x 35	8pcs
H		4 #	1pcs

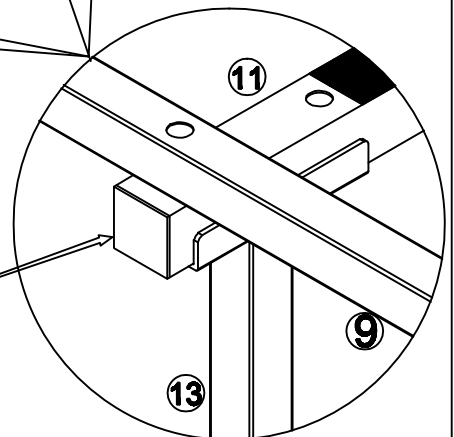
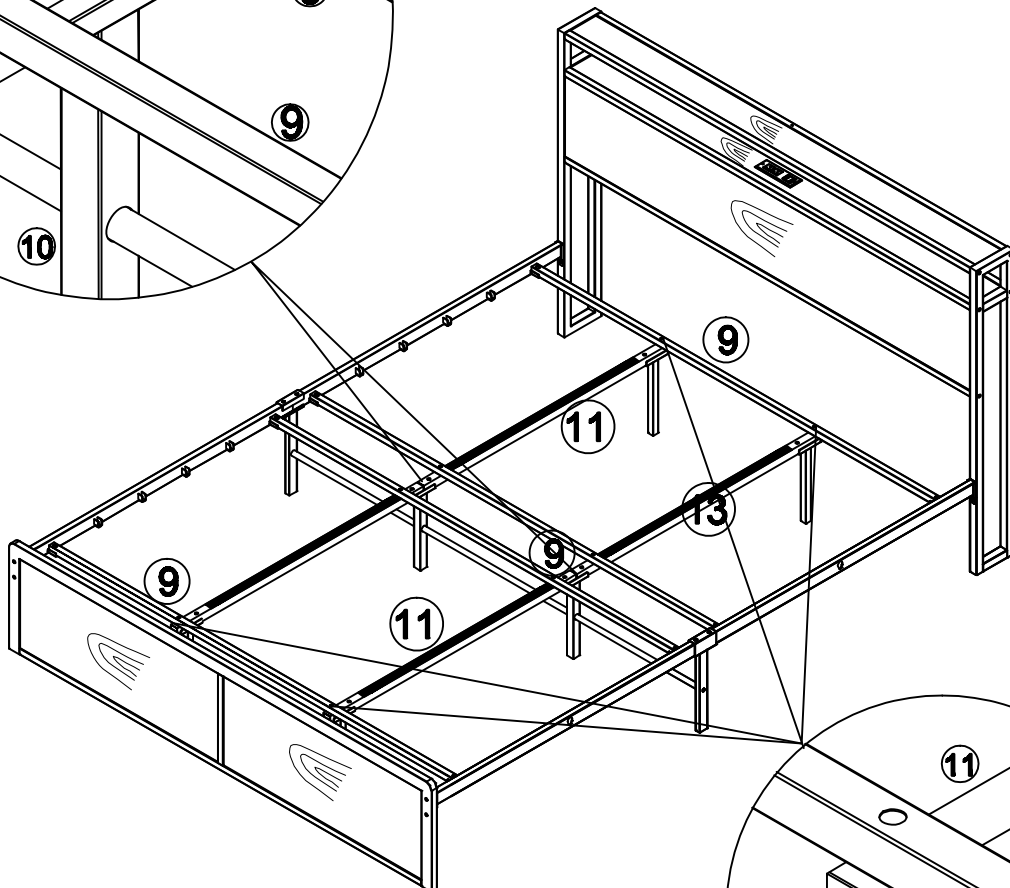
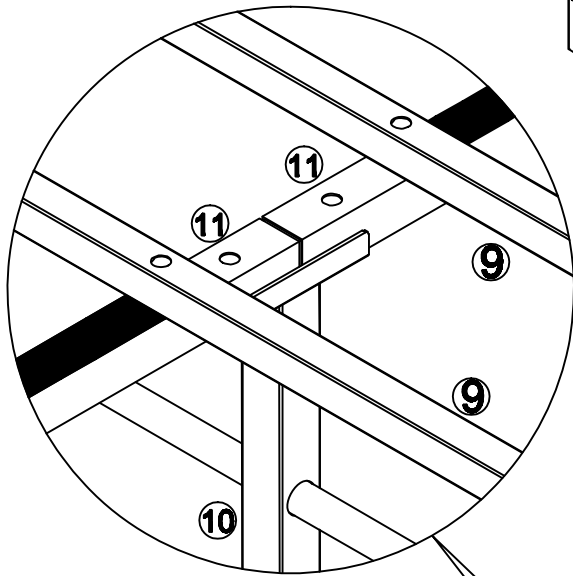
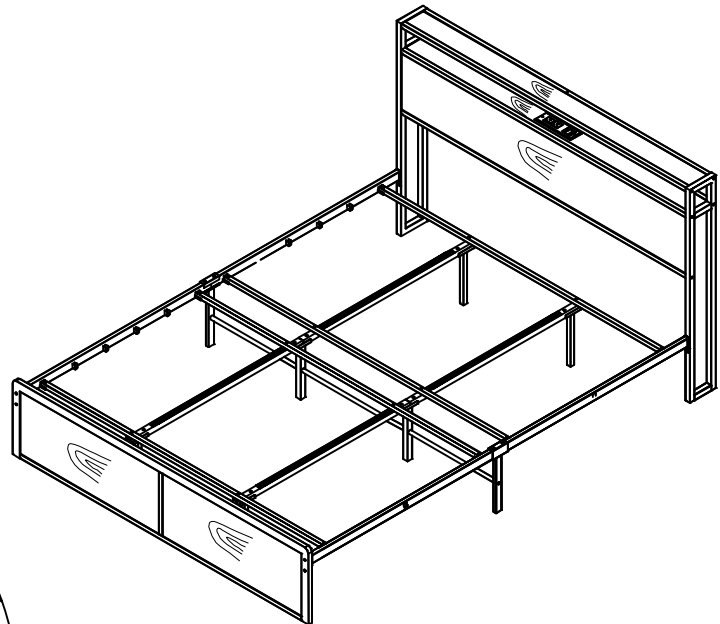


Step 6

B		M6 x 25	8pcs
H		4 #	1pcs






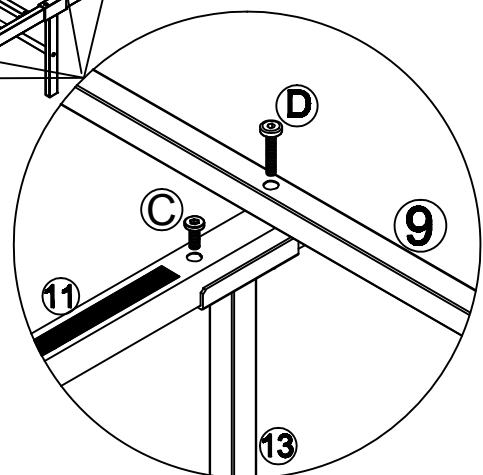
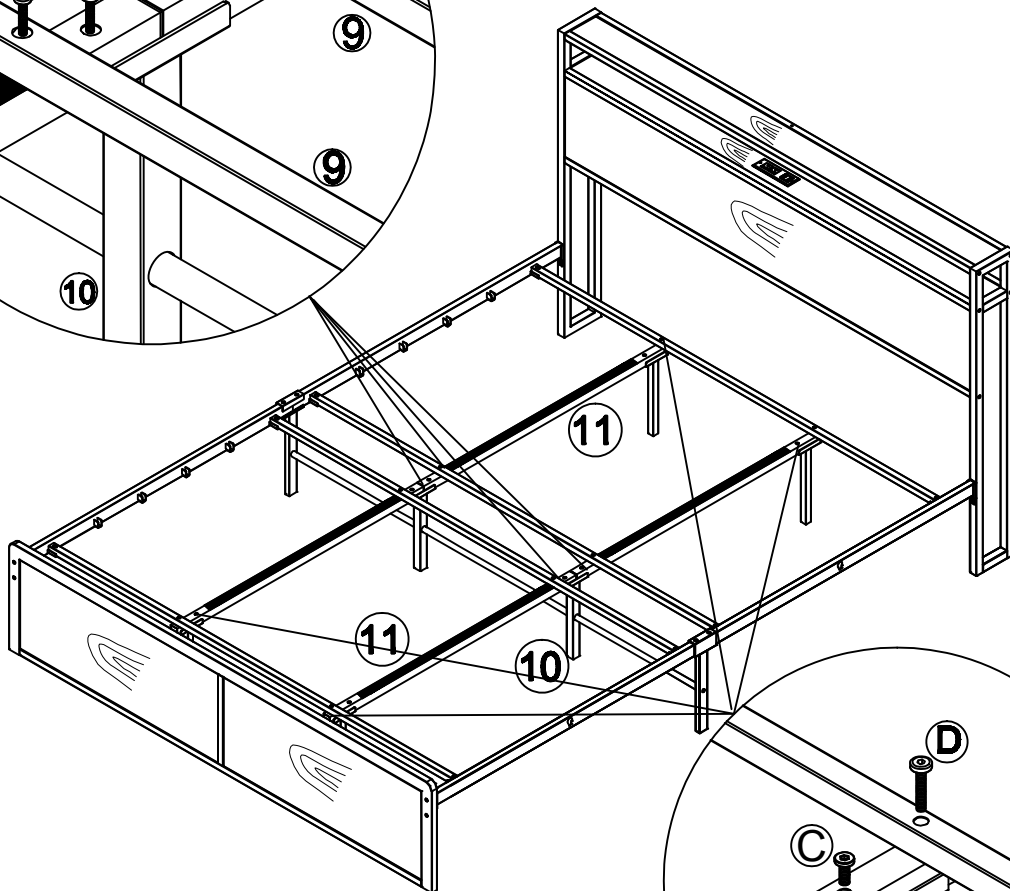
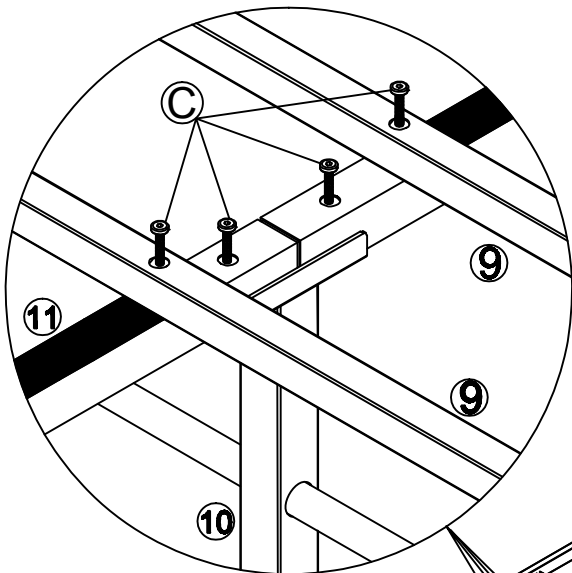
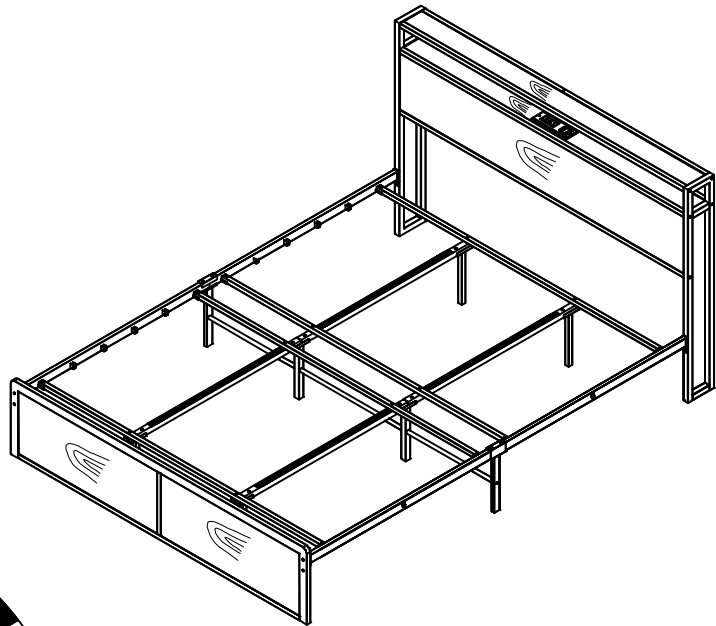
Step 7



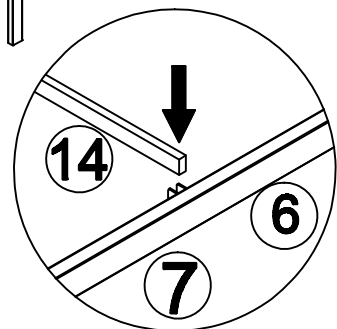
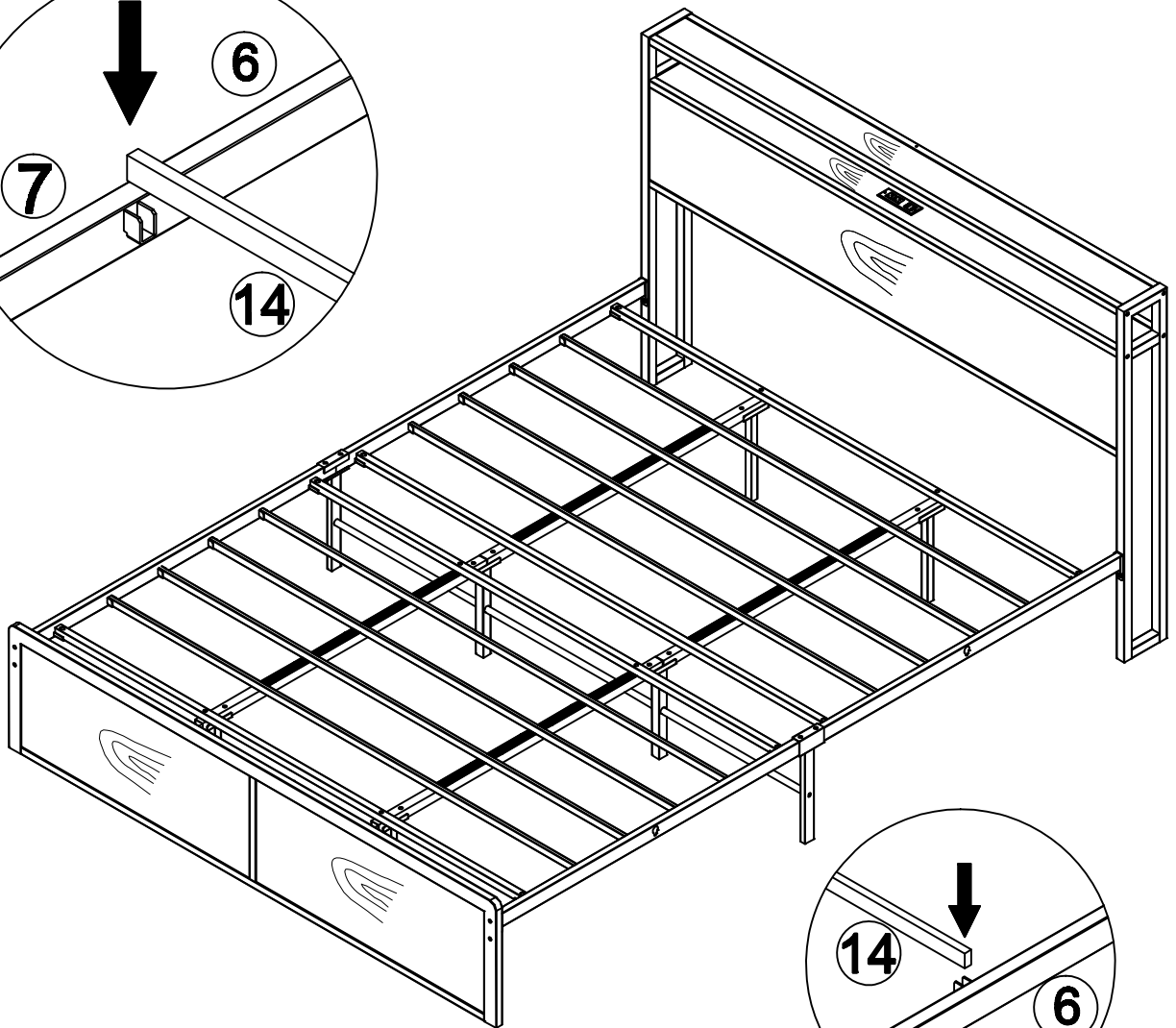
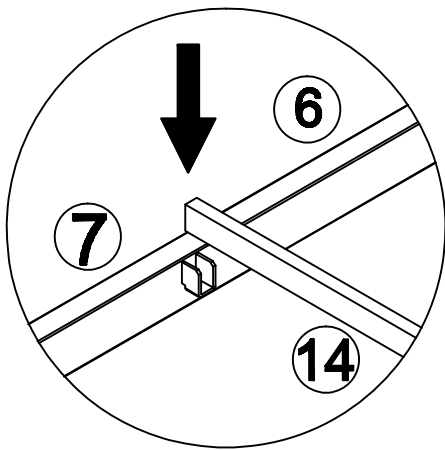
With Plastic Rectangle Ribbed Tube.

Step 8

C		M6 x 35	12pcs
D		M6 x 50	4pcs
H		4 #	1pc



Step 9



Step 10

17

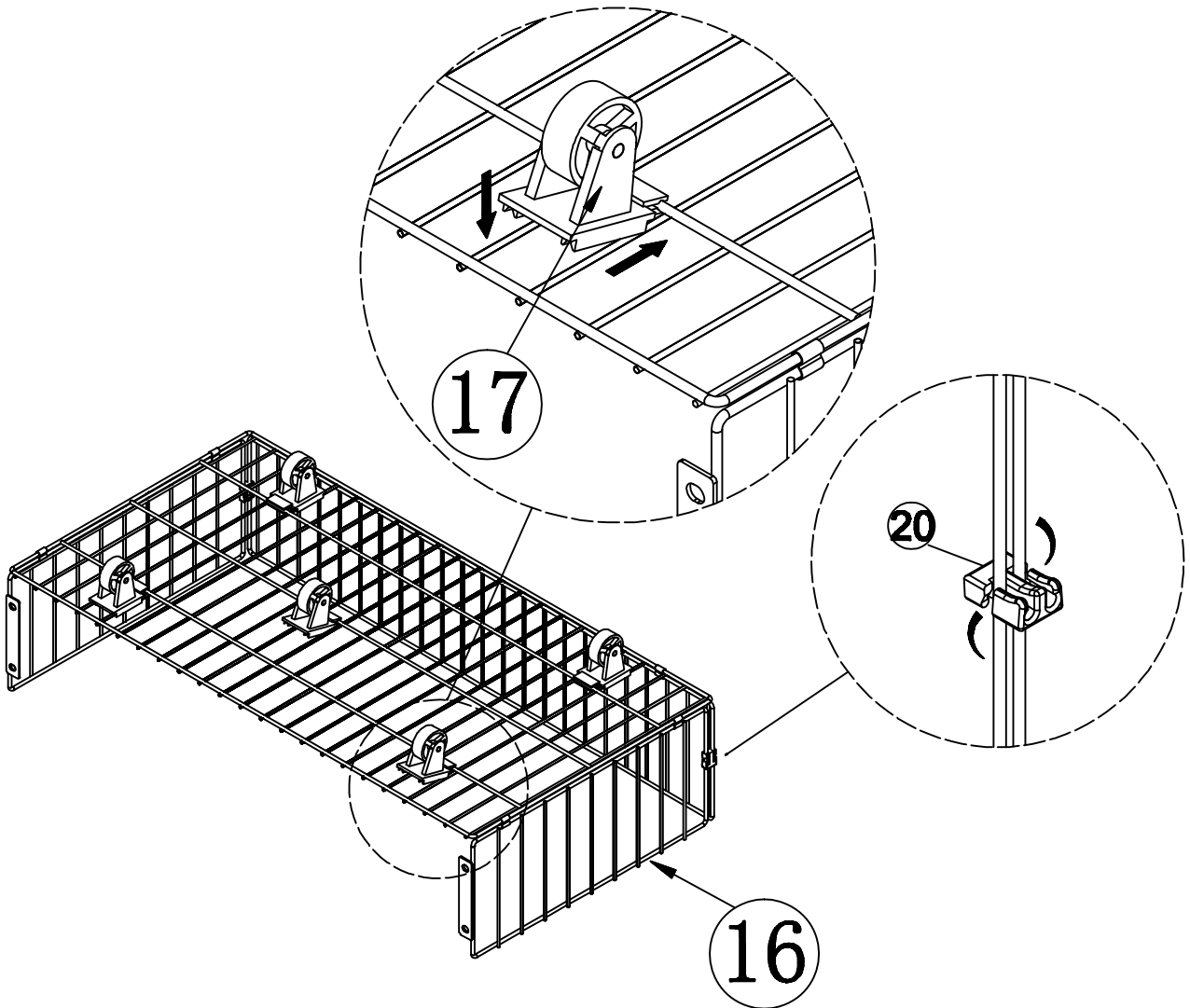


20pcs

20





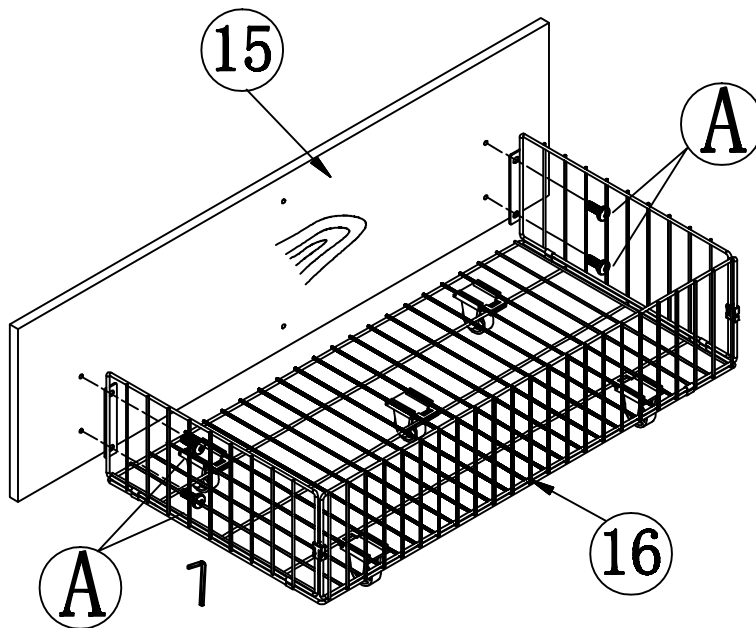
8pcs



x 4




Step 11

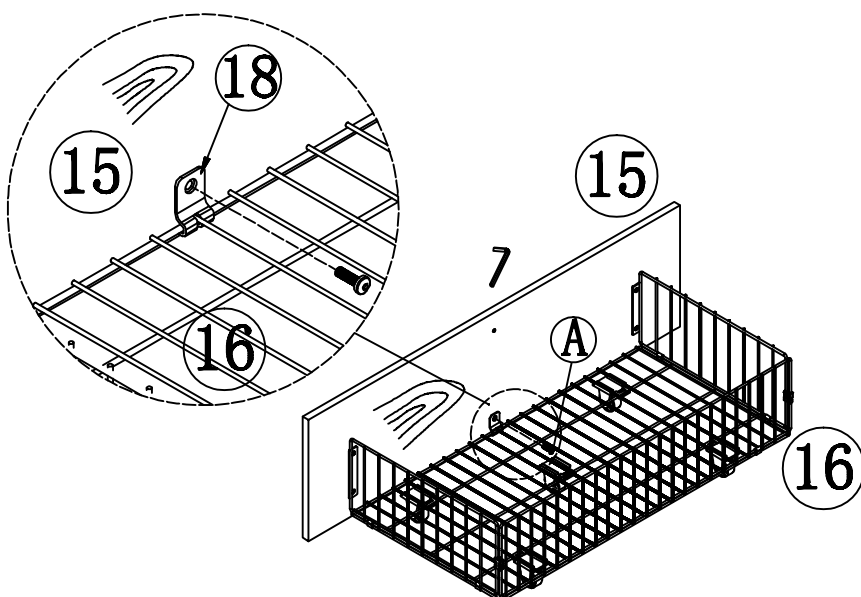
A		M6 x 12	16pcs
H		4 #	1pc





x 4

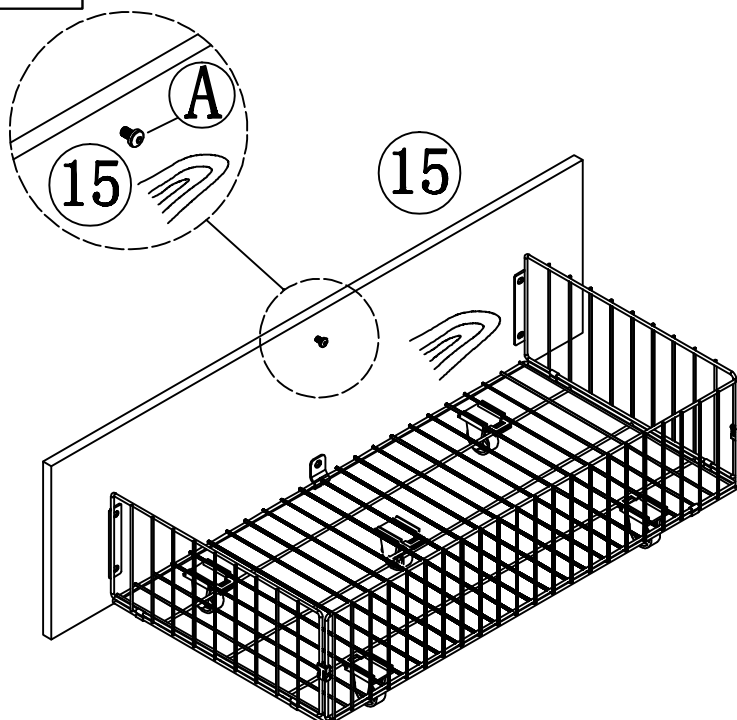
Step 12

A		M6 x 12	4pcs
H		4 #	1pc
18			4pcs

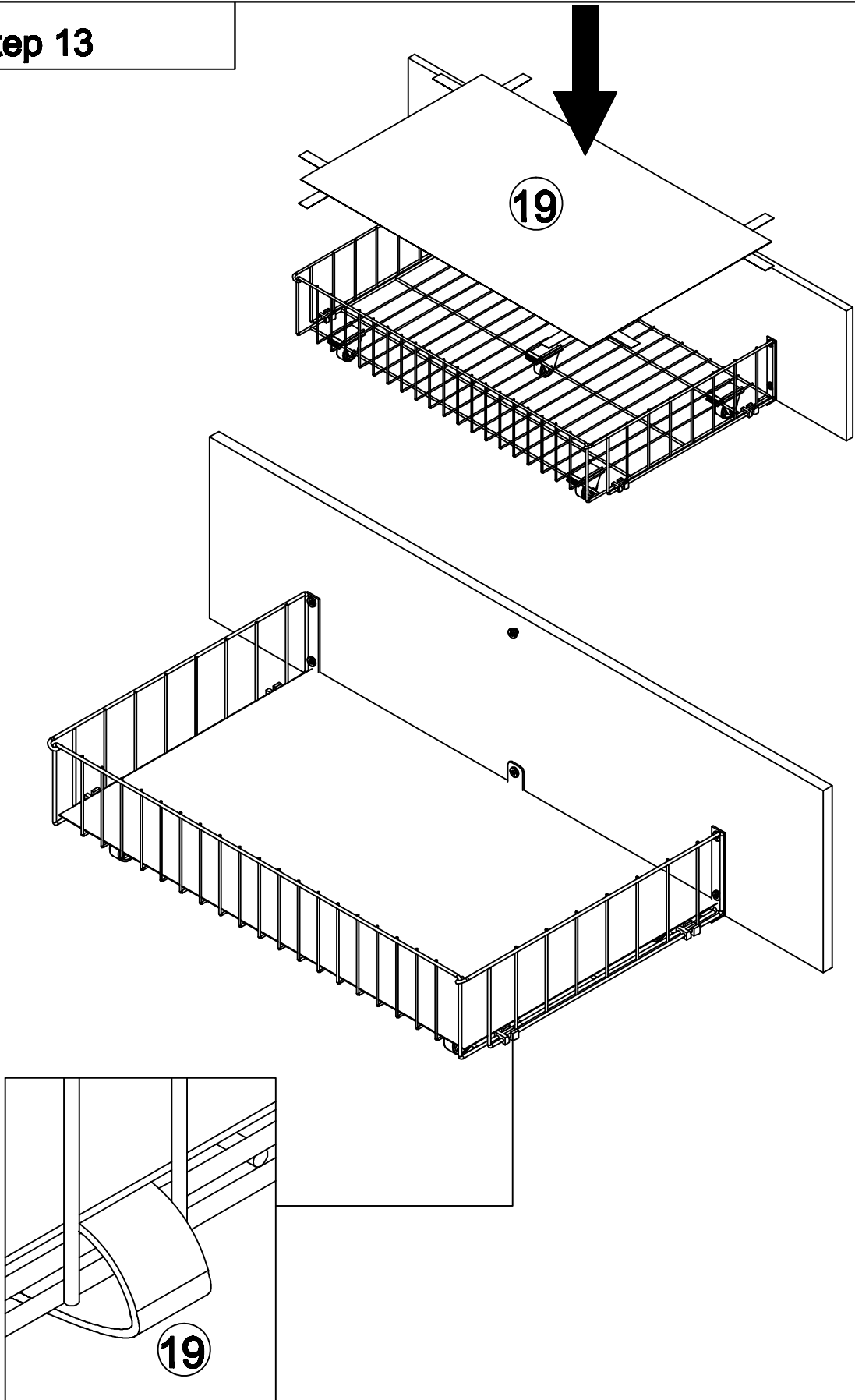


Step 13

A		M6 x 12	4pcs
H		4 #	1pc



Step 13



Step 14

