

Assembly Manual

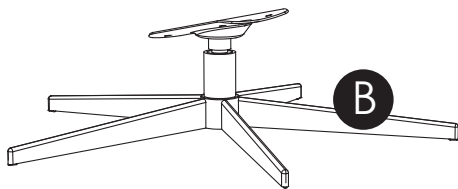
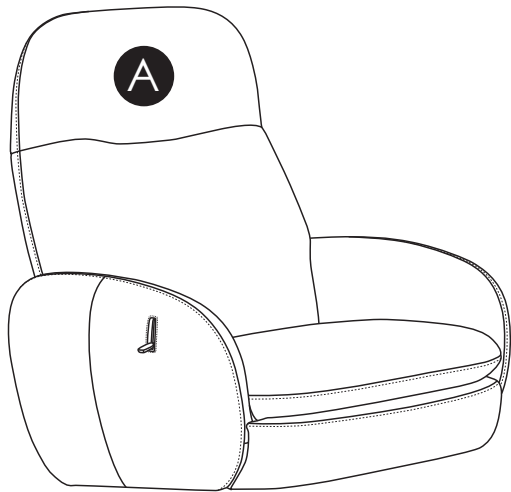
Manual Recliner



▲ CAUTION

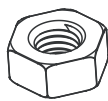
THIS ASSEMBLY MANUAL CONTAINS IMPORTANT SAFETY INFORMATION.
PLEASE READ AND KEEP FOR FUTURE REFERENCE.

COMPONENTS

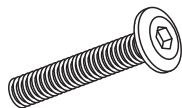


A Chair Body
1X

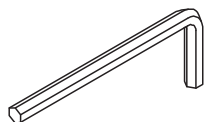
B Swivel Base
1X



H1 Nuts
4X



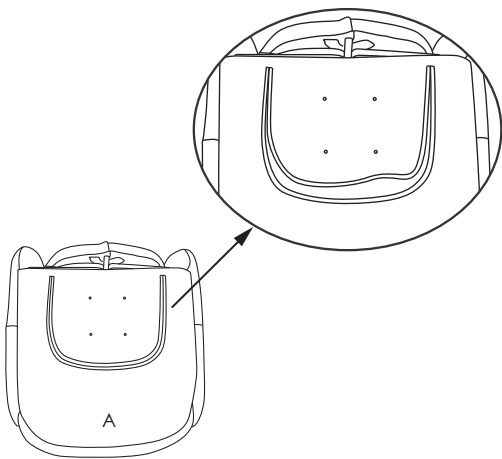
H2 Bolts
4X



T1 Allen Wrench
1X

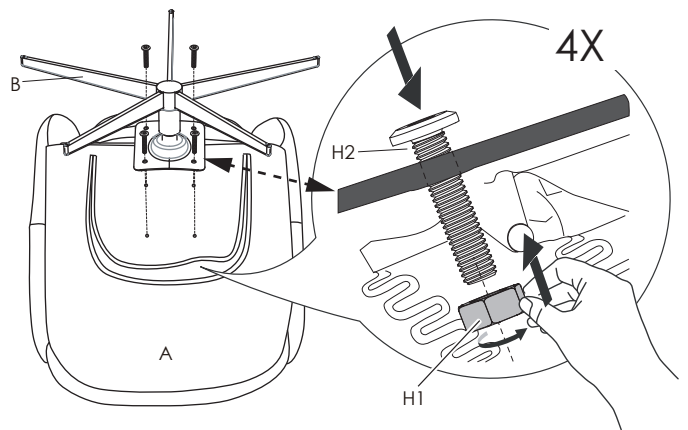
ASSEMBLY INSTRUCTIONS

1



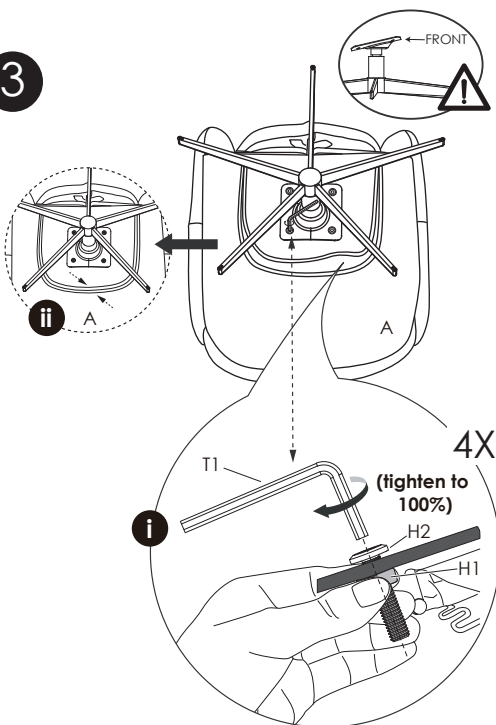
Unzip the dust cover.

2



Put the swivel base on the bottom of chair Body, insert the Bolts into the holes, and screw the nuts by hand .

3



i: Fully tighten all bolts;
ii: Zip the dust cover.

4



PRODUCT WARRANTY

1-year limited on leather against splitting, peeling, and/or tearing.

1-year limited on internal and external frame structure.

1-year limited on cushioning material, seat springs and mechanism.

CARE & MAINTENANCE

Periodic dusting will prolong the life of your leather.

General cleaning can be done with a damp, clean, soft white cloth.

Periodically, a mild leather cleaner can be used on the headrests and armrests. This will help prevent buildup of body and hair oils which can harm the leather over time.

For more stubborn stains, a mild leather cleaner can be used or consult a professional leather technician.