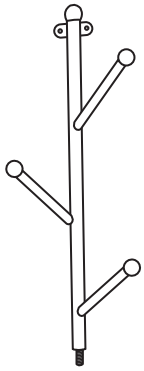
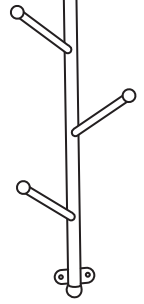


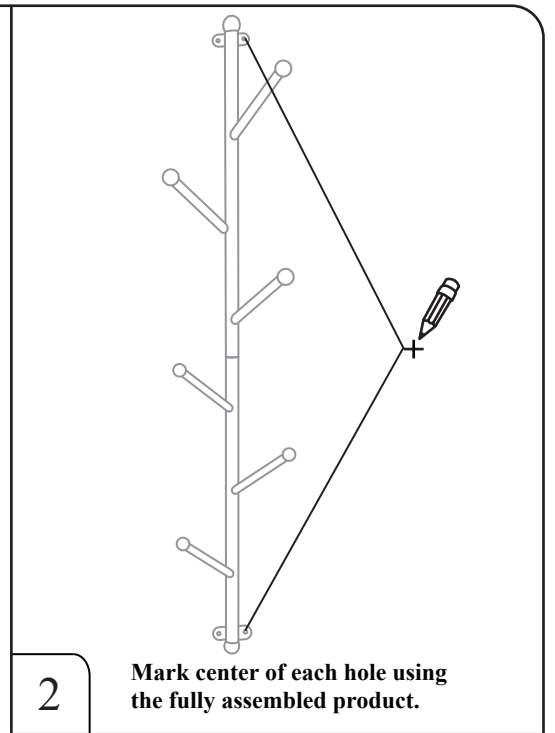
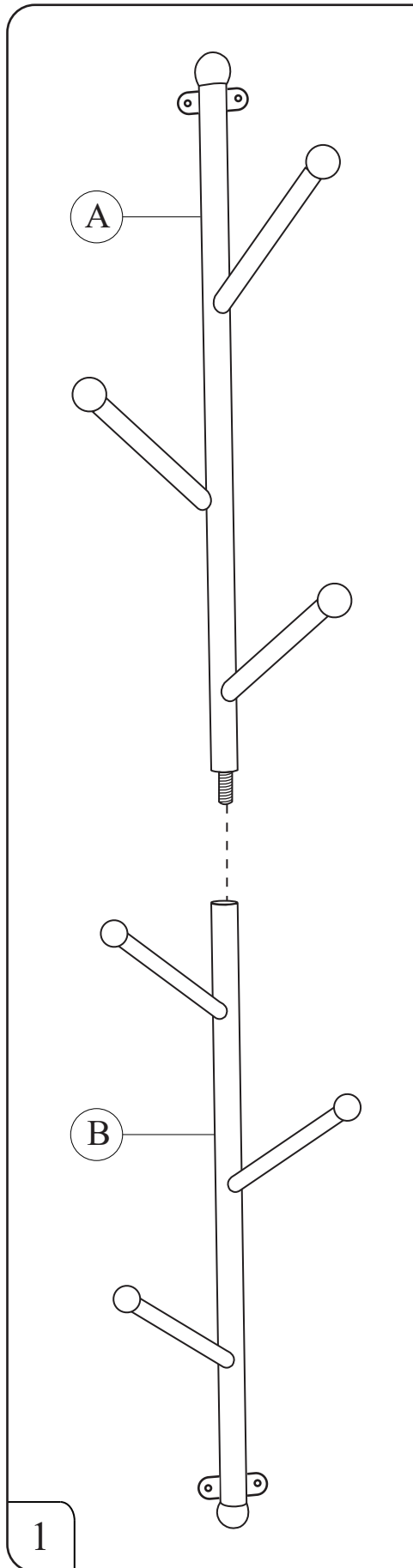
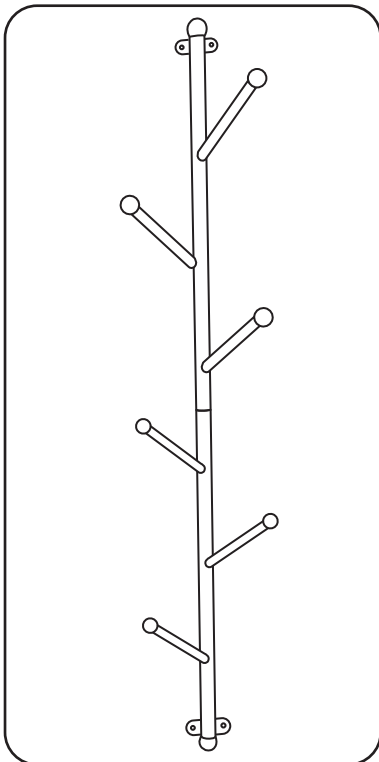


Metal Tree Branch Style Wall Mounted Vertical Hat / Coat Rack

No.	Part	Pcs
A		1
B		1
C	 S4×35	4
D		4



Mark center of each hole using the fully assembled product.

