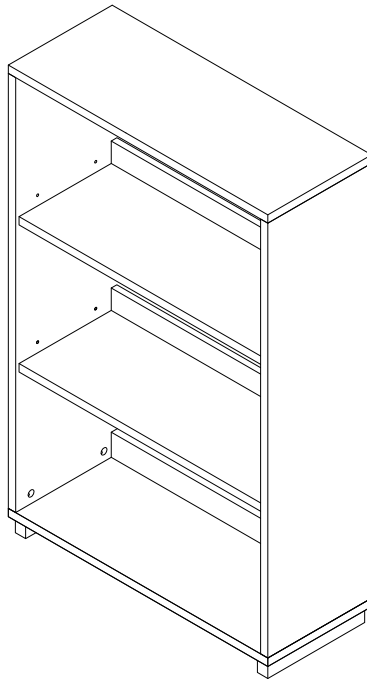


3 SHELF BOOKCASE

ASSEMBLY INSTRUCTIONS

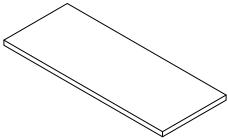
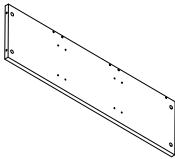
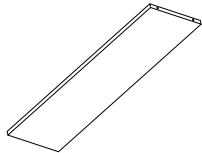
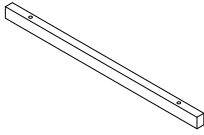
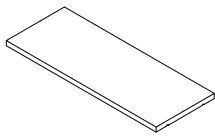
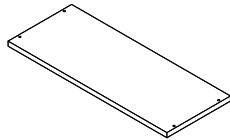
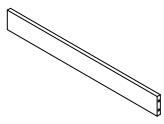
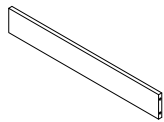
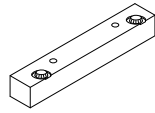


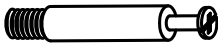


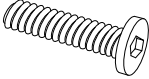


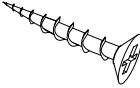

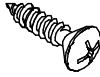
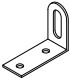
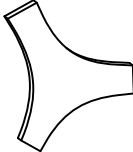

Questions, problems, missing parts? Before returning to your retailer, call our customer service department.

Thank you for purchasing this quality product. Be sure to check all packing material carefully for small parts, which may have come loose inside the carton during shipment. Count all parts and material hardware, then compare with parts list to be sure all parts are present. If any parts are missing or damaged, phone, fax, or mail to our Customer Service Department for efficient and speedy service. Please indicate the model number and code letter of part(s) needed.

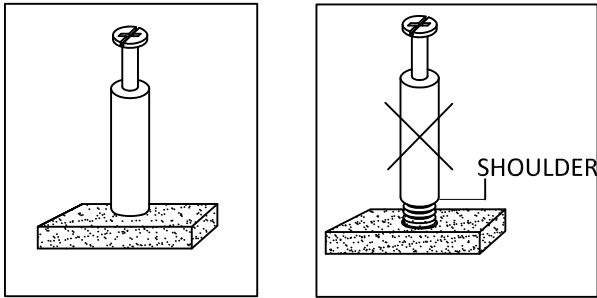
NOTE: In order to prevent damage during assembly, please assemble this item with at least two people.

IMPORTANT NOTE: Follow instructions listed below in proper sequence as numbered to assure fast, easy and correct assembly.

| PARTS LIST | | |
|---|--|---|
| A  TOP PANEL-1PC | B  LEFT SIDE PANEL-1PC | C  RIGHT SIDE PANEL-1PC |
| D  PANEL -1PC | E  SHELVES PANEL -2PCS | F  BOTTOM PANEL -1PC |
| G  REAR BOTTOM GUARD -1PC | H  BACK PANEL -2PCS | I  PANEL-2PCS |
| | | |

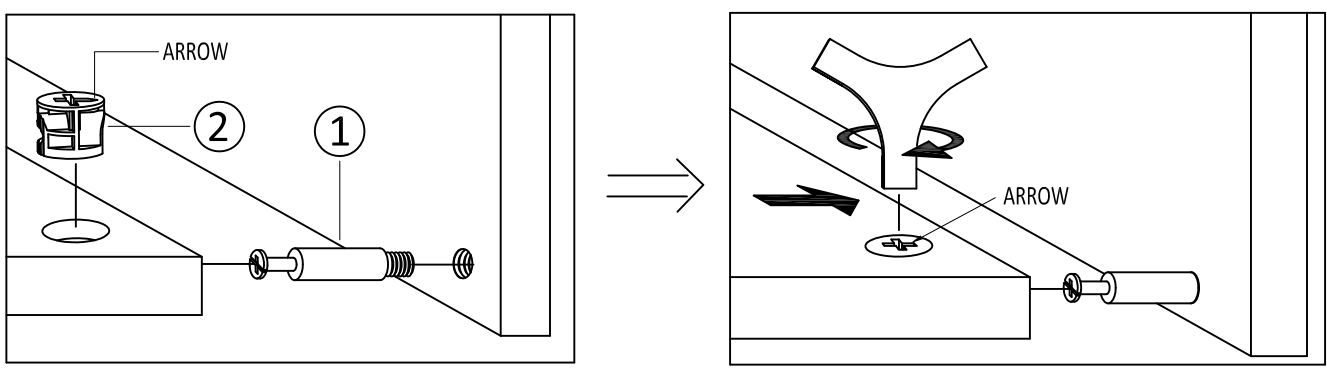
| | | |
|--|--|--|
| <p>1</p>  <p>CAM-BOLTS-22PCS</p> | <p>2</p>  <p>CAM-LOCKS-22PCS</p> | <p>3</p>  <p>DOWEL-8PCS</p> |
| <p>4</p> <p>Ø11x1-1/4"</p>  <p>BOLTS -6PCS</p> | <p>5</p>  <p>SHELF SUPPORTS -8PCS</p> | <p>6</p>  <p>FLAT WASHER -2PCS</p> |
| <p>7</p> <p>Ø8x1-1/2"</p>  <p>FLAT HEAD SCREWS-4PCS</p> | <p>8</p>  <p>ANCHOR-4PCS</p> | <p>9</p> <p>Ø8x3/4"</p>  <p>ROUND HEAD SCREWS -2PCS</p> |
| <p>10</p>  <p>HOOKS -2PCS</p> | <p>11</p>  <p>CAM-TOOL-1PC</p> | <p>12</p>  <p>ALLEN WERNCH-1PC</p> |

NOTE: • UPON OPENING, THOROUGHLY CLEAN ALL WOOD SURFACES TO REMOVE DUST AND DIRT THAT MAY HAVE SETTLED ONTO FINISH DURING SHIPMENT. IN ORDER TO PREVENT DAMAGE DURING ASSEMBLY, PLEASE ASSEMBLE THIS ITEM WITH AT LEAST TWO PEOPLE.

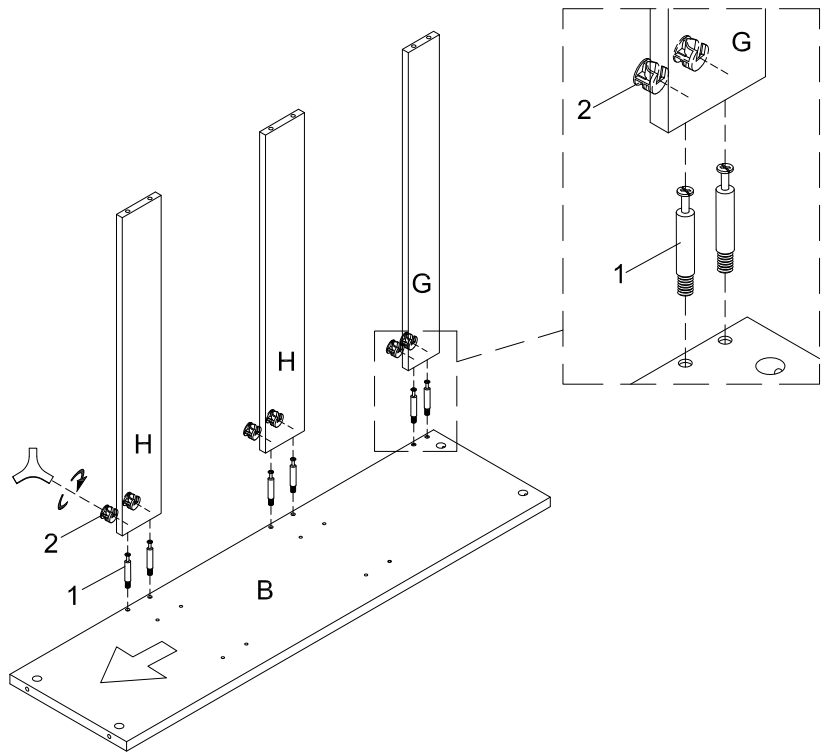


NOTE: TURN THE CAM-BOLT SCREWS UNTIL THEY ARE TIGHT, THE SHOULDER SHOULD BE AGAINST THE SURFACE OF THE PART.

HOW TO USE THE CAM-TOOL

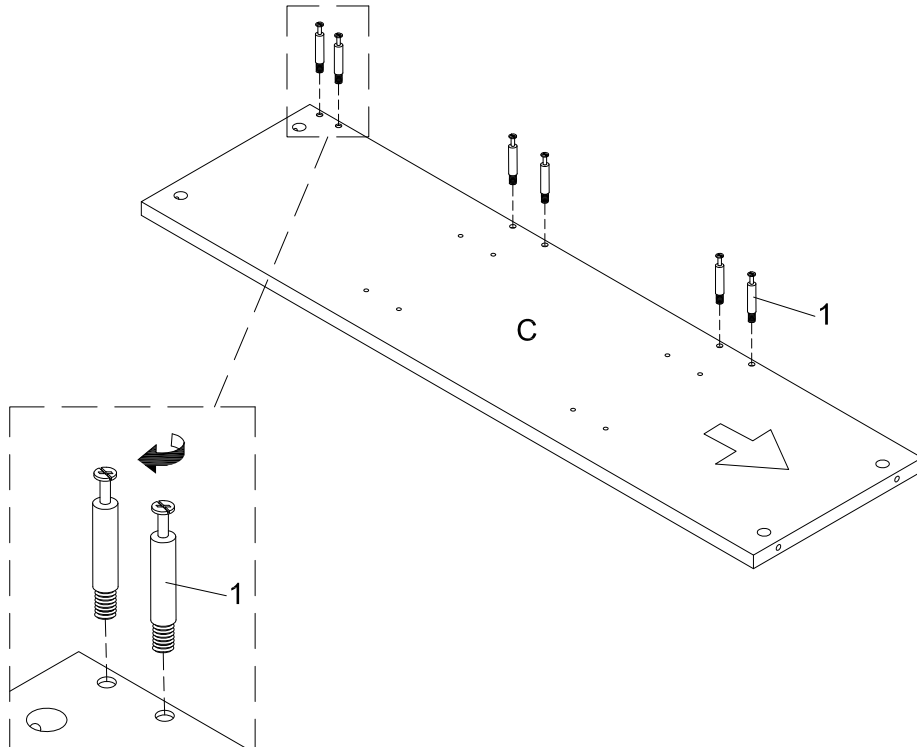


NOTE: • THE ARROWS ON THE HIDDEN CAM-LOCKS SHOULD POINT TO THE CAM-BOLTS



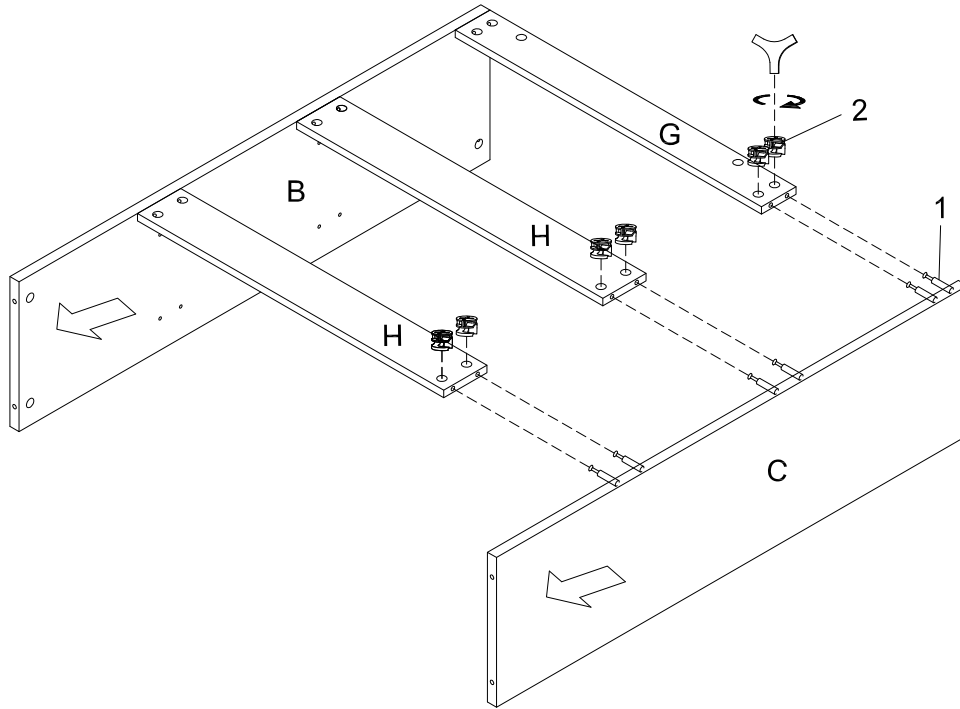
1). ASSEMBLE THE BACK PANEL AND REAR BOTTOM GUARD.

- ROTATE 6 CAM-BOLTS(1) INTO THE HOLES IN THE LEFT SIDE PANEL(B).
- PLACE 6 CAM-BOLTS(1) INTO THE HOLES IN THE 2 BACK PANEL(H) AND REAR BOTTOM GUARD(G) AND ATTACH USING 6 CAM-LOCKS(2).



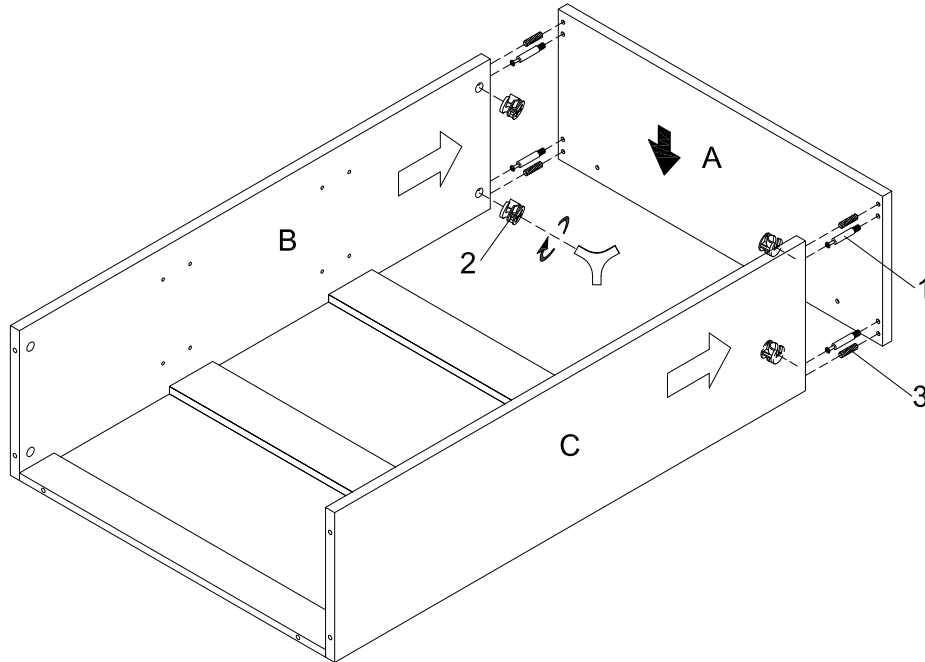
2). ASSEMBLE THE CAM-BOLTS.

- ROTATE 6 CAM-BOLTS(1) INTO THE HOLES IN THE RIGHT SIDE PANEL(C).



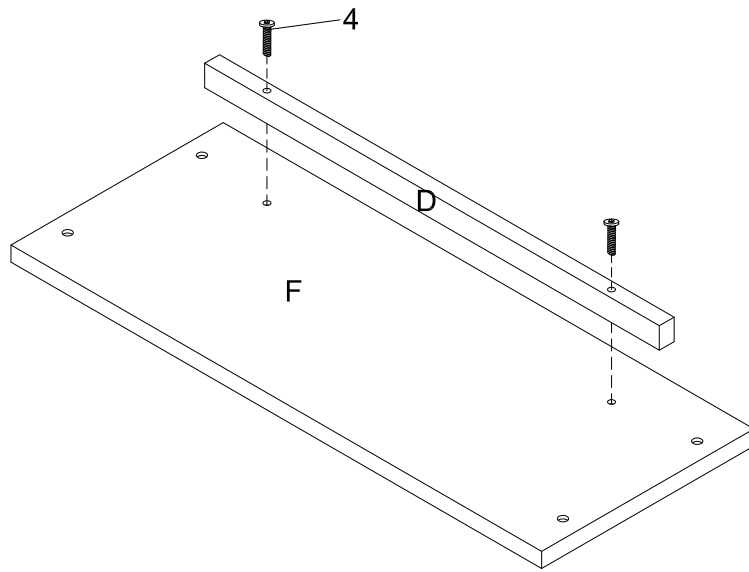
3). ASSEMBLE THE RIGHT SIDE PANEL.

- PLACE 6 CAM-BOLTS(1) INTO THE HOLES IN THE 2 BACK PANEL(H) AND REAR BOTTOM GUARD(G) AND ATTACH USING 6 CAM-LOCKS(2).



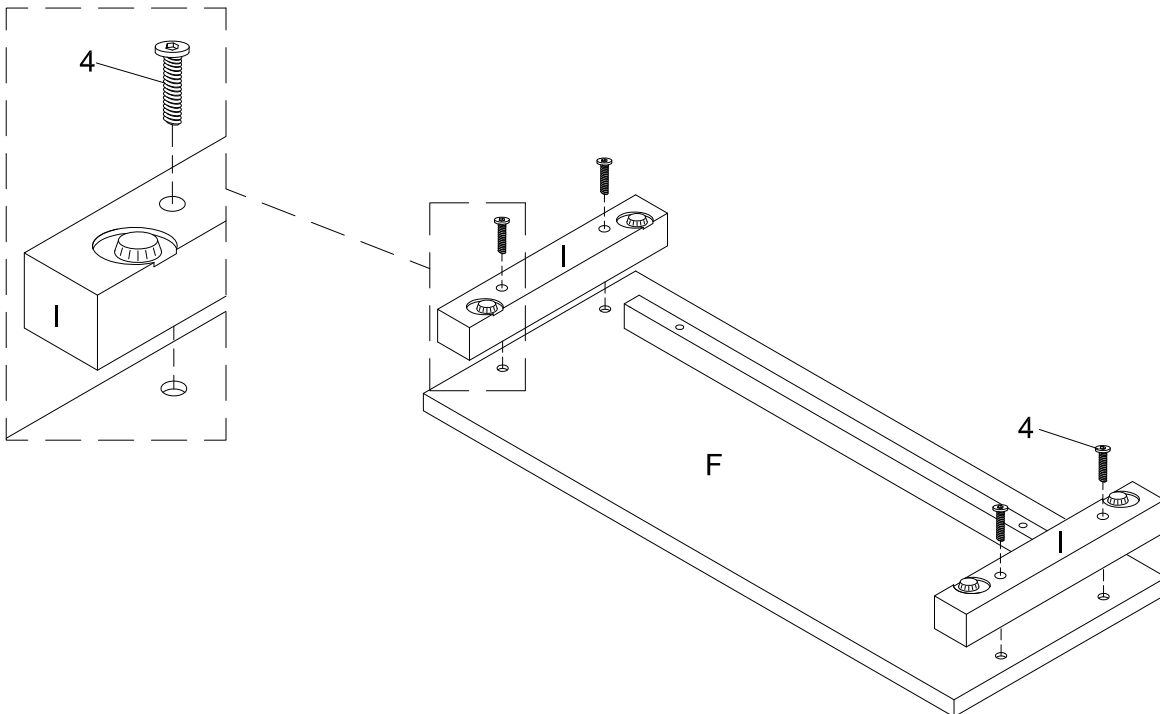
4). ASSEMBLE THE TOP PANEL.

- ROTATE 4 CAM-BOLTS(1) AND INSERT 4 DOWELS(3) INTO THE HOLES IN THE TOP PANEL(A).
- PLACE 4 CAM-BOLTS(1) AND 4 DOWELS(3) INTO THE HOLES IN THE LEFT/RIGHT SIDE PANEL(B/C) AND ATTACH USING 4 CAM-LOCKS(2).



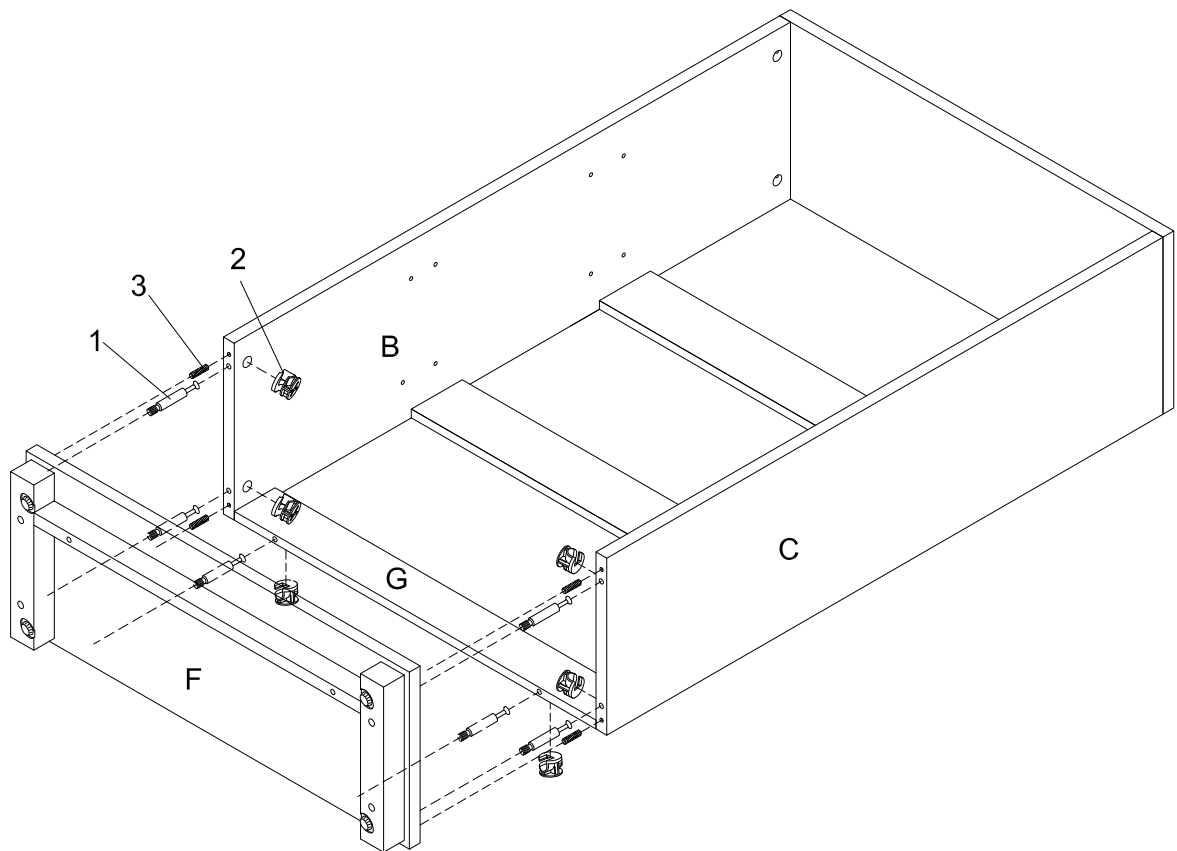
5). ASSEMBLE THE PANEL.

- ATTACH THE PANEL (D) TO BOTTOM PANEL (F) USING 2 BOLTS (4).



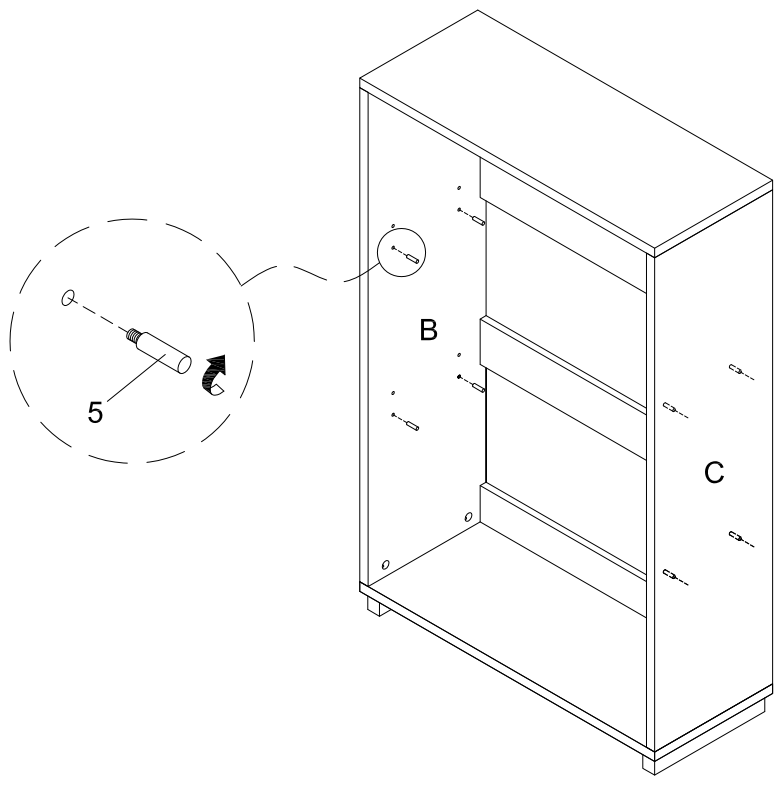
6). ASSEMBLE THE PANEL.

- ATTACH THE 2 PANEL (I) TO BOTTOM PANEL (F) USING 4 BOLTS (4).



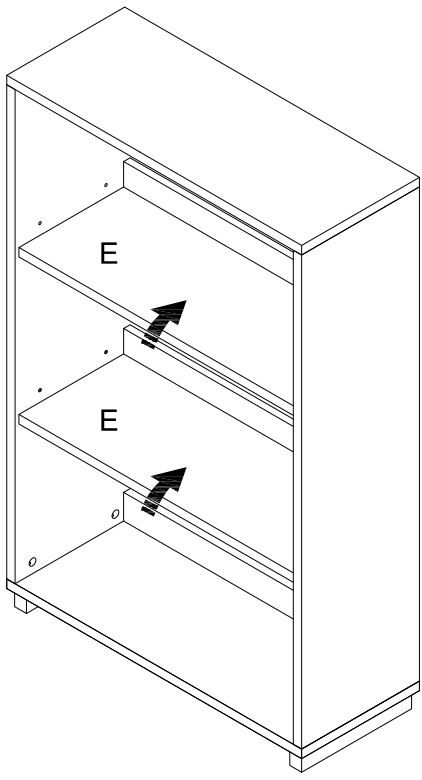
7). ASSEMBLE THE BOTTOM PANEL.

- ROTATE 6 CAM-BOLTS(1) AND INSERT 4 DOWELS(3) INTO THE HOLES IN THE BOTTOM PANEL(F).
- PLACE 6 CAM-BOLTS(1) AND 4 DOWELS(3) INTO THE HOLES IN THE LEFT/RIGHT SIDE PANEL(B/C) AND REAR BOTTOM GUARD(G) AND ATTACH USING 6 CAM-LOCKS(2).



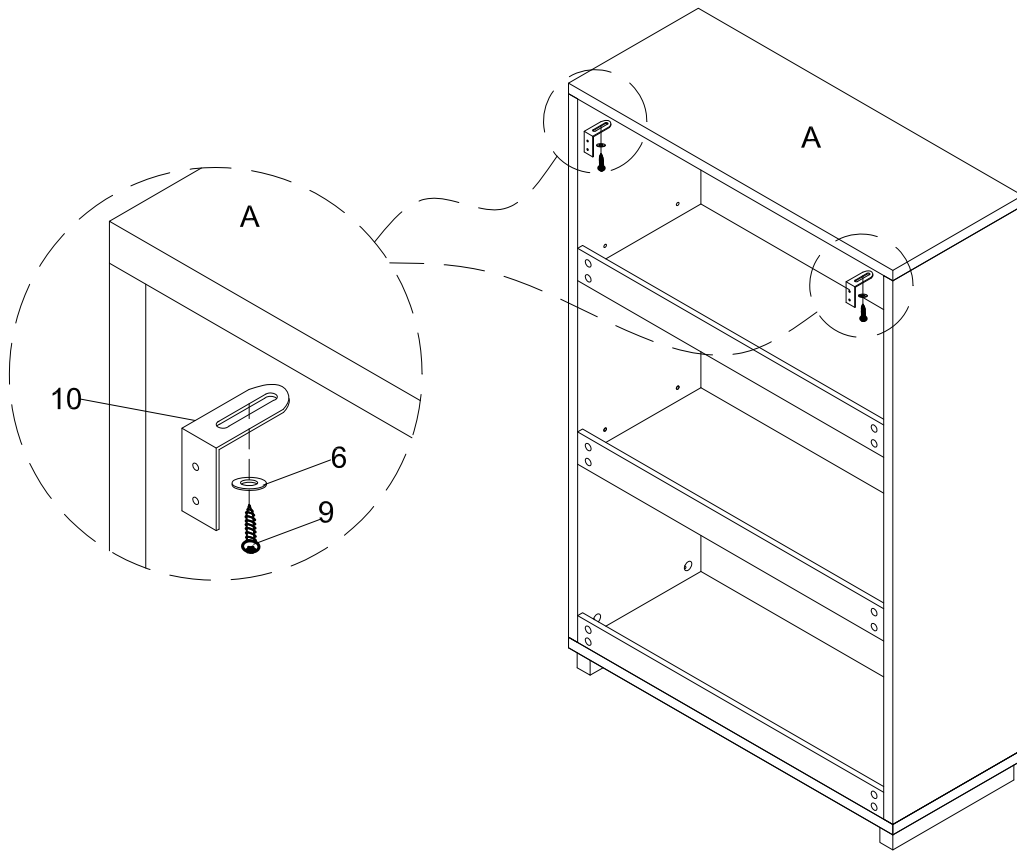
8). ASSEMBLE THE SHELF SUPPORTS.

- ATTACH THE 8 SHELF SUPPORTS (5) TO LEFT/RIGHT SIDE PANEL(B/C).



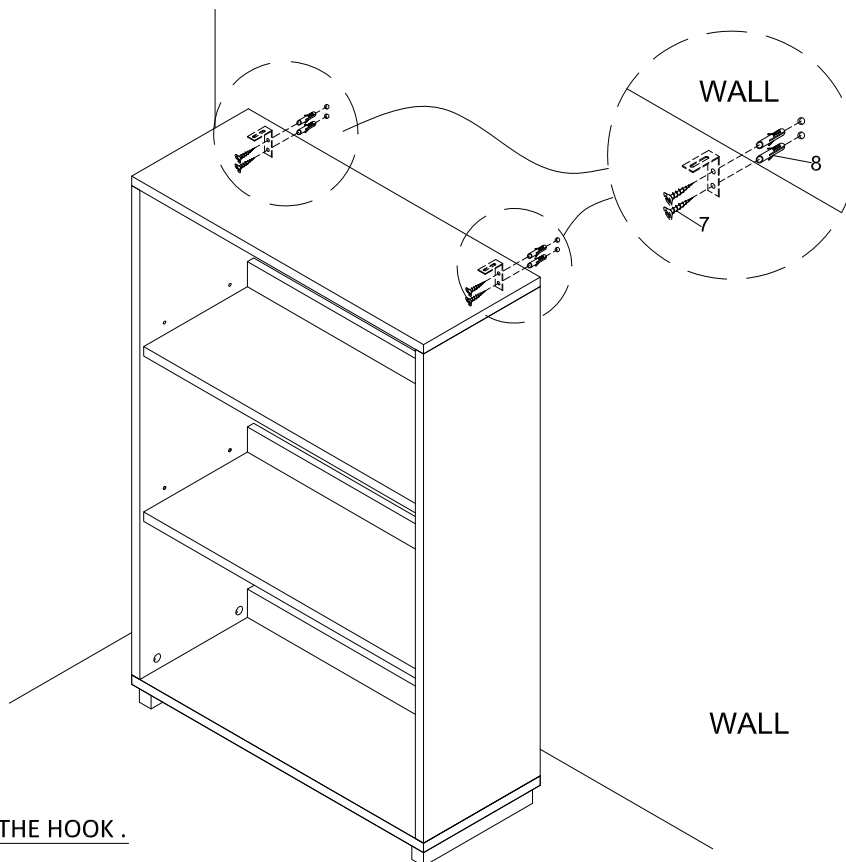
9). ASSEMBLE THE SHELVES PANEL.

- ATTACH THE 2 SHELVES PANEL (E) PLACE AS SHOWN.



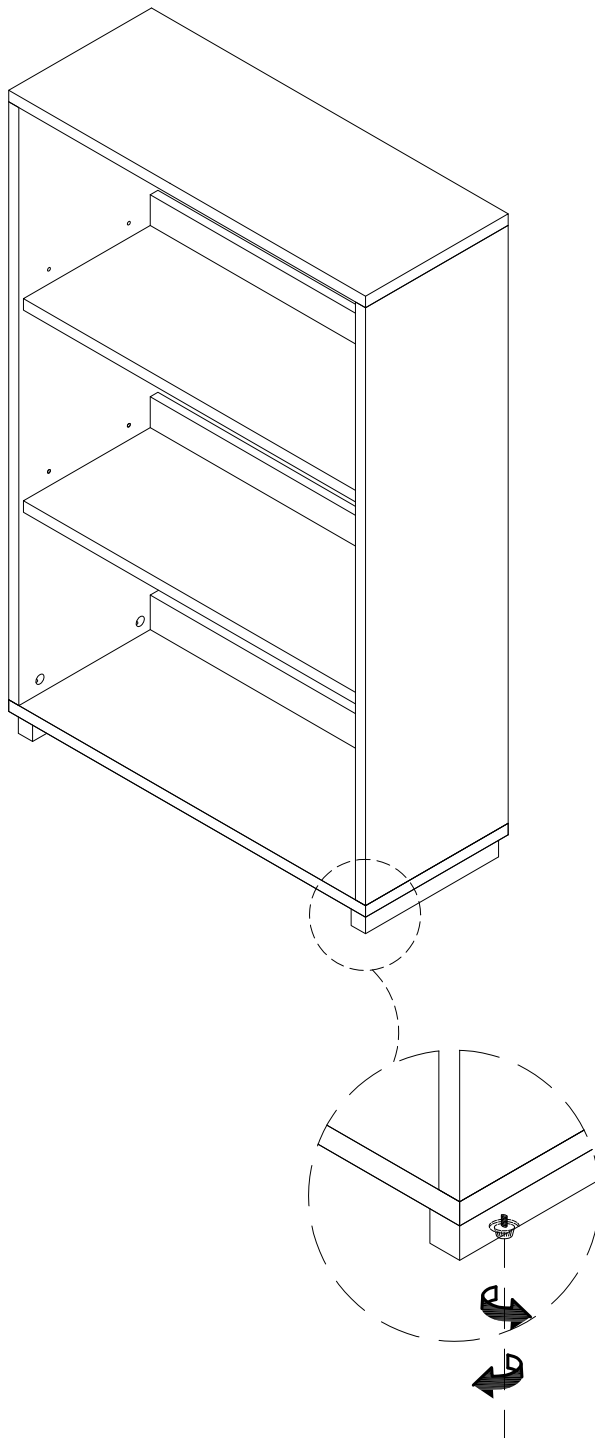
10). ASSEMBLE THE HOOK.

- ATTACH THE 2 HOOK(10) TO TOP PANEL(A) USING 2 ROUND HEAD SCREWS(9) AND FLAT WASHER(6) AS SHOWN.



11). ASSEMBLE THE HOOK .

- PLACE THE UNIT IN THE DESIRED CORNER.
- MAKE HOLES IN THE WALL AND INSERT THE ANCHOR(8).
- SECURE THE BRACKET TO THE WALL USING THE FLAT HEAD SCREWS(7).



12). ASSEMBLE THE LEVEL .

- TWIST THE ADJUSTABLE FEET TO ENSURE THAT THE BOOKSHELF IS LEVEL AND STEADY.