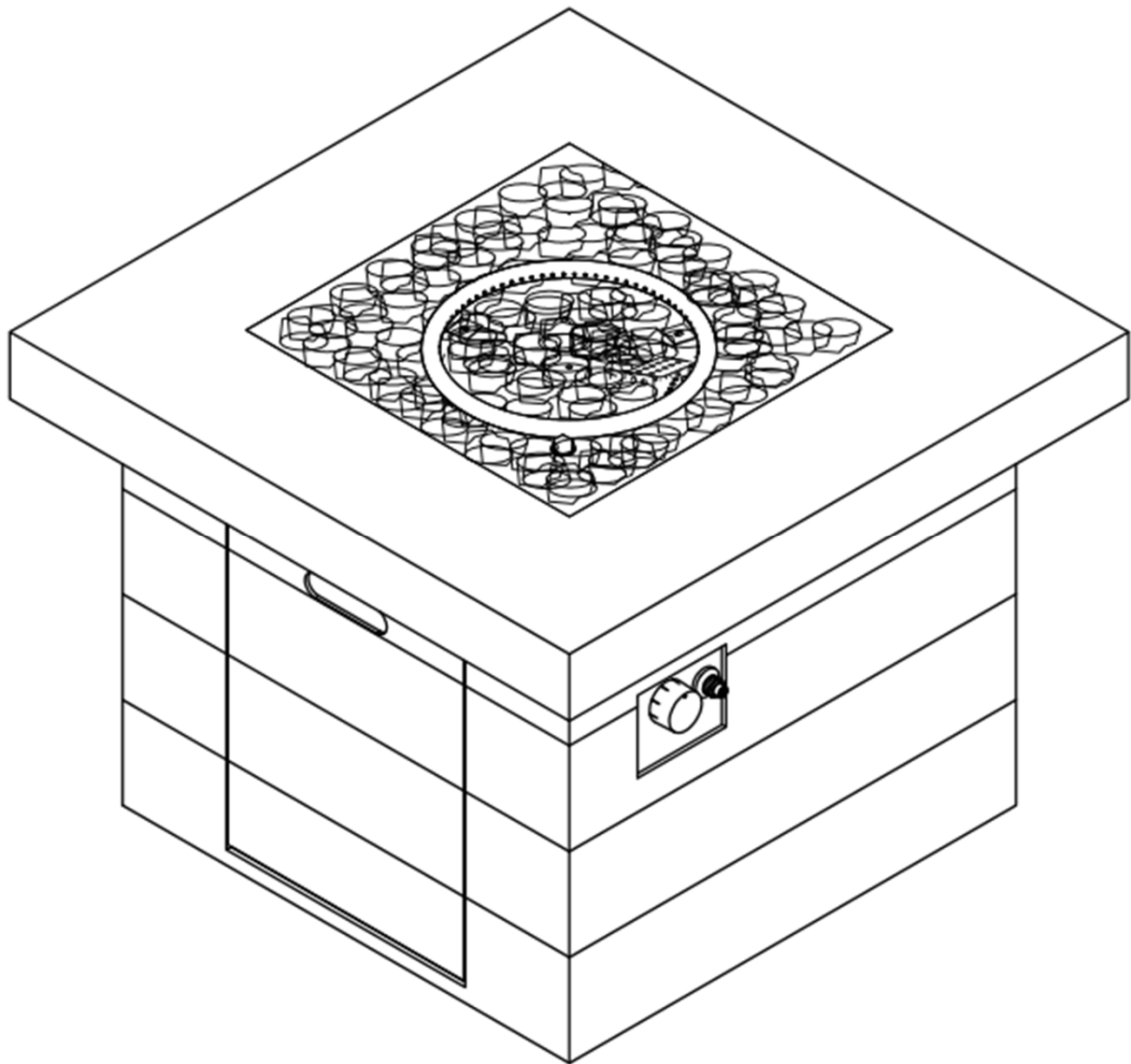


OWNER'S INSTRUCTIONS MANUAL

Gas Fire Table

User's Guide and Instruction Manual



LIMITATION OF WARRANTY AND LIABILITY

NOTICE: Read this Limitation of Warranty and Liability Before Using This Product. If the Terms Are Not Acceptable, Return the Product at Once, Unopened, and the Purchase Price Will Be Refunded.








It is impossible to eliminate all risks associated with the use of this product. Such risks arise from weather conditions, the manner of use or application, or other unknown factors, all of which are beyond the control of the Seller and Manufacturer. These risks can cause bodily injury or death, ineffectiveness of the product, and damage to other property. Seller and Manufacturer do not agree to be an insurer of these risks you agree to accept these risks.

Seller and Manufacturer warrant that this product is reasonably fit for the purpose stated in the Owner's Instructions Manual, subject to the inherent risks described above, when used in accordance with the Owner's Instructions Manual under normal conditions. Seller and Manufacturer provide no other express or implied warranty of fitness or of merchantability or any other express or implied warranty

In no event shall Seller or Manufacturer be liable for any incidental, consequential, or special damages resulting from the use or handling of this product. Buyer's or user's bargained-for expectation is for home use of the product in accordance with the Owner's Instructions Manual and under normal conditions and that is the exclusive remedy of the user or buyer and the exclusive liability of Manufacturer or Seller, for any and all claims, losses, injuries or damages (including claims based on breach of warranty or contract, negligence, tort or strict liability) resulting from the use or handling of this product, shall be the return of the purchase price of the product or, at the election of Manufacturer or Seller, the replacement of the product

Any claim by buyer or user of this product shall be filed within one (1) year of the date of injury or damage or the claim will be barred. Buyer and user waive any right to file any class action claim for product defect, design defect, or failure to adequately warn of product hazards or safe installation.

This Limitation of Warranty and Liability may not be amended by any oral or written agreement.

 WARNING	<p>FOR OUTDOOR USE ONLY !</p>
 DANGER	<p>If you smell gas and/or hear a gas hissing sound:</p> <ol style="list-style-type: none"> 1. Immediately, SHUT OFF gas to the appliance. 2. Extinguish ALL open flames. 3. If odor continues, keep away from the appliance and immediately call your Gas Supplier or Fire Department.
 DANGER	<p>DO NOT store or use gasoline or other flammable vapors and liquids in the vicinity of this unit and or any other appliance. An LP Gas tank not connected for use shall not be stored in the vicinity of this or any other appliance.</p>
 DANGER	<p>Improper installation, adjustment, alteration, service or maintenance can cause injury or damage to property. Read and understand the Owner's Manual thoroughly before installing or servicing this Fire Table / Column. If the information in this Owner's Manual is NOT followed exactly, a fire or explosion may result and cause property damage, personal injury or loss of life.</p>
 DANGER	<p>CARBON MONOXIDE HAZARD.</p> <p>This appliance can produce carbon monoxide which is odorless.</p>
	<p>Using it in an enclosed space can kill you.</p> <p>Never use this appliance in an enclosed space such as inside a camper, tent, car or home.</p>
<p align="center">Save this Owner's Manual and these instructions for future use. If you are assembling this unit for someone else, give this Owner's Manual to them to read.</p>	
<div align="center" data-bbox="512 1720 1002 1944">  </div>	

Part A.**SAFETY INFORMATION**

Before you assemble or operate this unit, please read carefully this entire Owner's Manual. Failure to do so may result in a fire, explosion, injury or death.



The installation of this unit must adhere to local codes or either the National Fuel Gas Code, ANSI Z223. 1/NFPA54, OR CAN/CGA-B149.1, National Gas and Propane Installation Code.

• **THIS UNIT IS INTENDED FOR OUTDOOR USE ONLY!**

This product shall be used outdoors, in a ventilated space and shall not be used in any enclosed area.

• This unit is to be used with LP Gas / Propane Gas only !
(Propane Gas tank is not attached and not delivered with this unit.
Propane and Gas Tank is sold separately).

• Do not attach a remote gas supply to this unit.

• This unit is NOT intended for Natural Gas.

• Converting this unit to Natural Gas is dangerous and not recommended.
The conversion of this unit shall void the manufacturer warranty.

• Do not use any solid fuel or charcoal for this unit.

• When igniting this unit, exercise caution as some gas pooling from the Burner may cause the flame to flare that could cause injury.

• **LP GAS WARNING** : Do not use more than 1/4 inch depth of lava rocks / pumice stones above the burner holes.
Excessive use of lava rocks / pumice stones, will suffocate the flame.

• If the Propane Gas Tank is leaking gas, you can smell, hear a hiss, or sense a leak at the source.
Do the following:

1. Disconnect the Propane Gas tank.
2. DO NOT attempt to fix the problem yourself.
3. Move yourself and all persons away from the immediate area.
4. Only when everyone is at a safe distance away from the Fire Table / Column, contact your Gas Supplier or Fire Department for help.

• Applying too much Propane Gas may result in gas pooling and will NOT burn.
Allow fresh air into the unit so that the remaining gas may escape.

• DO NOT use a flame to check for gas leaks.

• The maximum inlet supply pressure: maximum Gas supply 11 inch w.c. (2.74kPa)

• Use LP propane tanks with the following dimensions: diameter 12 in, height 18 in - capacity 20lbs.

• You must use a Propane Gas Tank that has a collar to protect the Gas Valve.

• **DO NOT** fill tank over 80% full.

• The tank system must be set up for vapor withdrawal.

• **STOP** using if any part of the Propane Gas Tank is damaged.
Rust and dents in tank may be hazardous and should be inspected by a Gas Supplier.

• **DO NOT** burn anything other than the provided materials for this Fire Table.

• Keep away from the unit for the first 20 minutes after igniting your unit for the first time, as lava rocks / pumice stones could pop out and cause injury.
Should any rocks pop out, discard them.

• Always ensure that lava rocks / pumice stones are completely dry before use.
Failure to do so will cause them to crack or pop.

• **DO NOT** operate unit until all parts are fully assembled.

• **DO NOT** paint or color any part of this Fire Table / Column.

• Unit may be hot while in use, **DO NOT** attempt to move it while in use.

• Never leave this Fire Table / Column unattended while in use.

• This unit is **NOT** intended for cooking.

• Keep all flammable items away and **DO NOT** use any other fireplace cover for this unit.

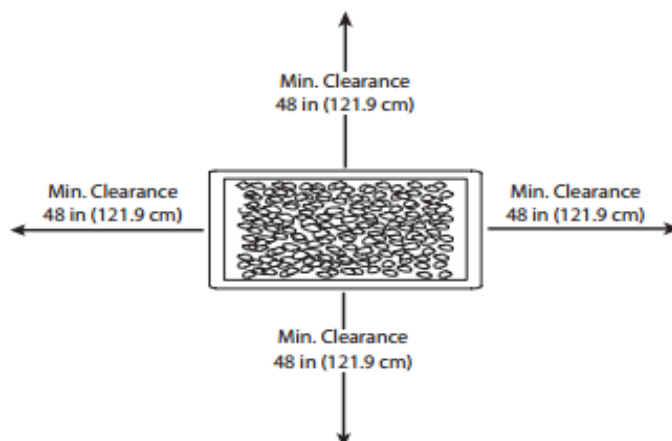
• Keep a safe distance to avoid burning skin or clothing.

• **DO NOT** sit or rest hands or feet on this Fire Table / Column.

• Never place hands or fingers onto upper portion of this unit while in use.

• Keep all electrical cords and fuel supply hose away from heated surfaces.

• Combustible material should **NOT** be within 72 inches of the top of the unit, and within 48 inches around the entire unit.



• **Keep the appliance area clear and free from combustible material, gasoline and other flammable vapors and liquids.**

• **If the flame goes out while burning, turn the gas valve off.
Wait 5 minutes before repeating the initial lighting procedure.
Once you have a flame started, hold down the control knob for 1 minute.**

• **DO NOT add water into the unit.**

• **DO NOT operate unit if any part has been under water.
Immediately call for a Qualified Service Technician to inspect the appliance.
Where necessary, secure Qualified Service Technician to replace part(s) of the Control System and any gas control parts that has been under water.**

• **DO NOT disconnect any part while the unit is in use.**

• **DO NOT store a spare Propane Gas Tank on or near this unit.**

• **If the Fire Table / Column is placed indoors for storage, detach the Propane GasTank and leave the tank outdoors.
This unit is for outdoors use ONLY.**

• **DO NOT operate on a boat or vehicle.
This unit can only be used on any stationary outdoor flat surface ONLY**

• **Always remove protective cover before operating (where applicable) and / or use of your Fire Table / Column.**

• **DO NOT set the Protective Cover (E) over the unit until the Fire Table / Column is turned off and completely cooled down (where applicable).**

• **Check for leaks after not using the unit for long periods of time.**

• **Children must never operate this Fire Table / Column.
Children must be supervised AT ALL TIMES while near this Fire Table / Column.**

• **The maximum gas supply pressure is 250psi.**

• **All installation and repair should be done by a Qualified Service Technician.
This unit should be inspected annually and cleaned regularly.**

• **Inspect all elements of this Fire Table / Column before each use.
If there is damage, the Burner must be replaced.**

• **Be aware of the hazards of high temperatures and stay away from the unit to avoid any burns or injury.**

• **The gas supply tank should be constructed and marked with the specifications for the LP Gas tanks of the U.S. Department of Transportation or the National Standard of Canada CAN/CSA-B339, LP Gas tanks, spheres and tubes for Transportation of Dangerous Goods and Commission.**

• **The LP Gas tank must have a listed overfilling prevention device and a QCCI or Type I, LP Gas tank connection.**

• **This heating appliance should NOT be used on plastic, artificial wood desks or any desk.**

• Children and adults should be alerted to the hazards of high surface temperatures and should stay away to avoid burns or clothing ignition.

• Young children MUST BE carefully supervised at all times when they are in the area of this appliance.

• Clothing or other flammable materials shall NOT be hung from the appliance or placed on or near the appliance.

• Any guard or other protective device removed for servicing the appliance shall be replaced prior to operating and use of this appliance.

• Installation and repair(s) should be done by a Qualified Service Technician.

The appliance should be inspected before use. If you suspect there are issues, contact a Qualified Service person.

More frequent cleaning may be required as necessary.

It is imperative that the control compartment, burners and circulating airways of the appliance are kept clean.

When APPLICABLE:

• Keep gas tank at least 5 feet away from unit when lit (if external tank).

• Allow Fire Burner / Column to cool down completely before placing on lid.

• Keep the hose away from any pathways to eliminate any accidental damage (if external tank).

• DO NOT use Fire Table / Column while lid is installed.

Always remove the lid while Fire Table / Column is in use.

Use only the Regulator (12/19) and Hose(12) assembly provided with this unit.

Replacement parts must be supplied directly by manufacturer.

Inspect the Burner (08) before use of this unit.

If the Burner (08) shows any kind of damage, DO NOT operate the appliance.

For assistance with repair or replacement of the Burner (08) or any other parts, call us.

NOTE: You must follow all steps to properly assemble this Fire Table / Column.

Make sure the Gas Valve is turned "OFF" before assembling.

DO NOT attempt to assemble without proper tools.

Part B

IGNITOR CONTROL BOARD

Herebelow is an exact visual display of the Operation Tablet as found on your Fire Table / Fire Column.
Read carefully before using.

CAUTION / MISE EN GARDE
Gas supply must be turned off at the gas source when this appliance is not in use.
Le réservoir de propane doit être débranchée lorsqu'il n'est pas utilisé.

**IGNITER PUSH
BOUTON-POUSSOIR
D'ALLUMAGE**

AAA

**LOW
BAS**

OFF/ARRÊT

HAUT/HIGH

LIGHTING INSTRUCTIONS

- 1) Read operating instructions before lighting.
- 2) Burner Control Knob must be in "OFF" Position
- 3) Make sure that the fuel supply is properly connected and open at the tank. (Read owner's manual).
- 4) **Push and hold** Igniter Button to create sparks.
- 5) While holding the Igniter Button, push and turn the Control Knob to the "LOW" position to light the burner.
- 6) If ignition does not occur in 5 seconds, push and turn the Control Knob to "OFF", wait 5 minutes and allow gas to dissipate.
- 7) Once the burner is lit, continue to hold the knob in for another 20 seconds and release.
- 8) If igniter will not light burner, instead please use a long match or extended butane lighter.

TURNING OFF

- 1) Push and turn the Control Knob clockwise to the "OFF" position.
- 2) Turn the gas off at its source (cylinder or quick connect).

ALLUMAGE

- 1) Lisez les directives avant l'allumage.
- 2) Il faut que le bouton de commande soit dans la position "ARRÊT".
- 3) Raccorder la bouteille de propane (PL) (voir manuel d'instructions).
- 4) **Pousser et retenir** le bouton d'allumage pour produire des étincelles.
- 5) Tout en tenant le bouton d'allumage d'une main, avec l'autre main, pousser et tourner le bouton de contrôle en position **BAS** pour allumer le brûleur.
- 6) Continuer la pression sur le bouton de contrôle du brûleur **durant 5 secondes** après l'ignition. Attendre 5 minutes et répéter la procédure d'allumage.
- 7) Une fois le brûleur est allumé, maintenir la pression sur le bouton pendant 20 secondes puis relâcher.
- 8) Si allumeur brûleur pas la lumière s'il vous plaît utiliser une longue allumette ou briquet butane étendue.

EXTINCTION

- 1) Tourner et pousser le bouton de commande dans le sens horaire jusqu'à la position "ARRÊT"
- 2) Détacher la bouteille de propane.

Part C

User's Guide to Parts and Accessories of The Regulator, Charge Valve of the Cylinder and Steps to Connecting the Gas Tank to the Fire Table /Column.

This Safety Information passage holds information that :

- 1) shows you the Regulator (pre-connected to the Fire Table / Column)
- 2) the Charge Valve of the Gas Tank and its relevant Valves.

There are Fire Table / Column that holds the Gas Tank INTERNALLY and EXTERNALLY.

The Owner / User must know all the different parts : Charge Valves and Regulator.

This picture shows different parts of the Charge Valve of the Gas Tank and the Regulator (12/19) is pre-connected to the Fire Table / Column. the different components and parts of the Gas Tank and the Fire Table / Column Regulator, as show on the picture to the left here.



Pic. A : Shows the Charge Valve of the Cylinder with the different Valves and Coupling Nut, these forms the top of the Gas Cylinder.

Pic. B : Shows the Regular pre-connected to a hose. This Regulator is pre-connected to the Fire Table / Column.

There are 2 kinds of Fire Table / Column.

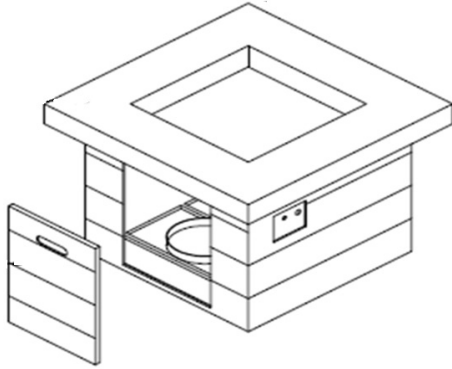
Type 1 : Fire Table / Column that has an internal housing for Gas Tank Cylinders, where the Gas Tank is held inside the Table / Column. The Gas Tank is held and bound in place inside the Fire Table / Column with the Metal Ring and locked down with a Wing Screw / Nut.

Type 2 : Fire Table / Column that has the Gas Tank externally visible, whereby the hose shall be **NO SHORTER** than 5 feet.

In some cases, some Customers purchases separate Gas Tank Holder to hold the Gas Tank. In this case, the 5 feet distance between the Fire Table / Column to the Gas Tank applies too.

g

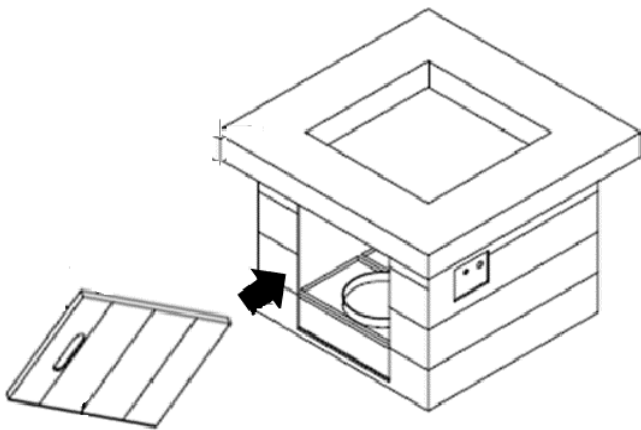
User's Guide : Loading of Gas Tank into the Fire Table / Column.



The Fire Table / Column has a Door. Remove the Door and leave the Door on the floor.

Inside, you will see a Metal Stand with pre-attached Wing Screw / Nut.

Proceed to Unscrew the Wing Screw / Nut



Load the Gas Tank / Gas Cylinder as indicated by the bold black arrow.

Place the Tank / Cylinder gently and snugly into the Metal Stand.

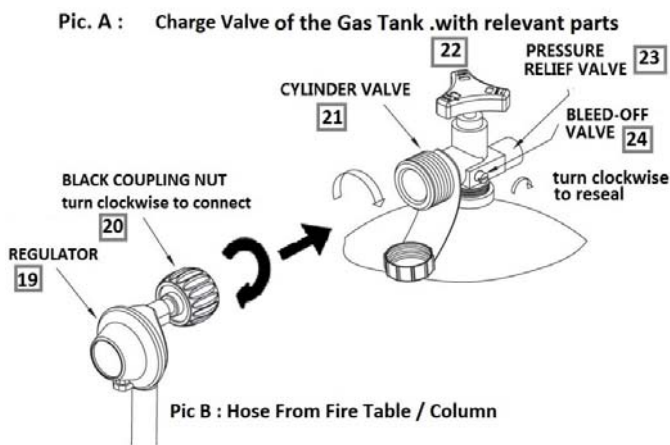
Position the Wing Screw / Nut in place. Turn the Wing Screw until fully tightens into the Nut.

The Gas Tank / Gas Cylinder is now secured in place.

Part E.

User's Guide : Connecting the Fire Table / Column to the Gas Cylinder.

This next step guides you to connect the Fire Table / Column Regulator to the Gas Cylinder.



Step 1 : Plug the Black Coupling Nut on the Regulator to the Cylinder Valve.

Step 2 : Turn the Black Coupling Nut, fully CLOCKWISE until fully locked into the position.

Step 3 : Check for Leaks by : Brush some soap and water mixture on all connections.

Turn the gas supply on; if extra large bubbles form on any connection there may be a leak. If you smell gas or a leak is discovered, IMMEDIATELY turn the gas valve off, disconnect Propane Gas tank. Do not use the appliance until the leak is repaired

Part F.

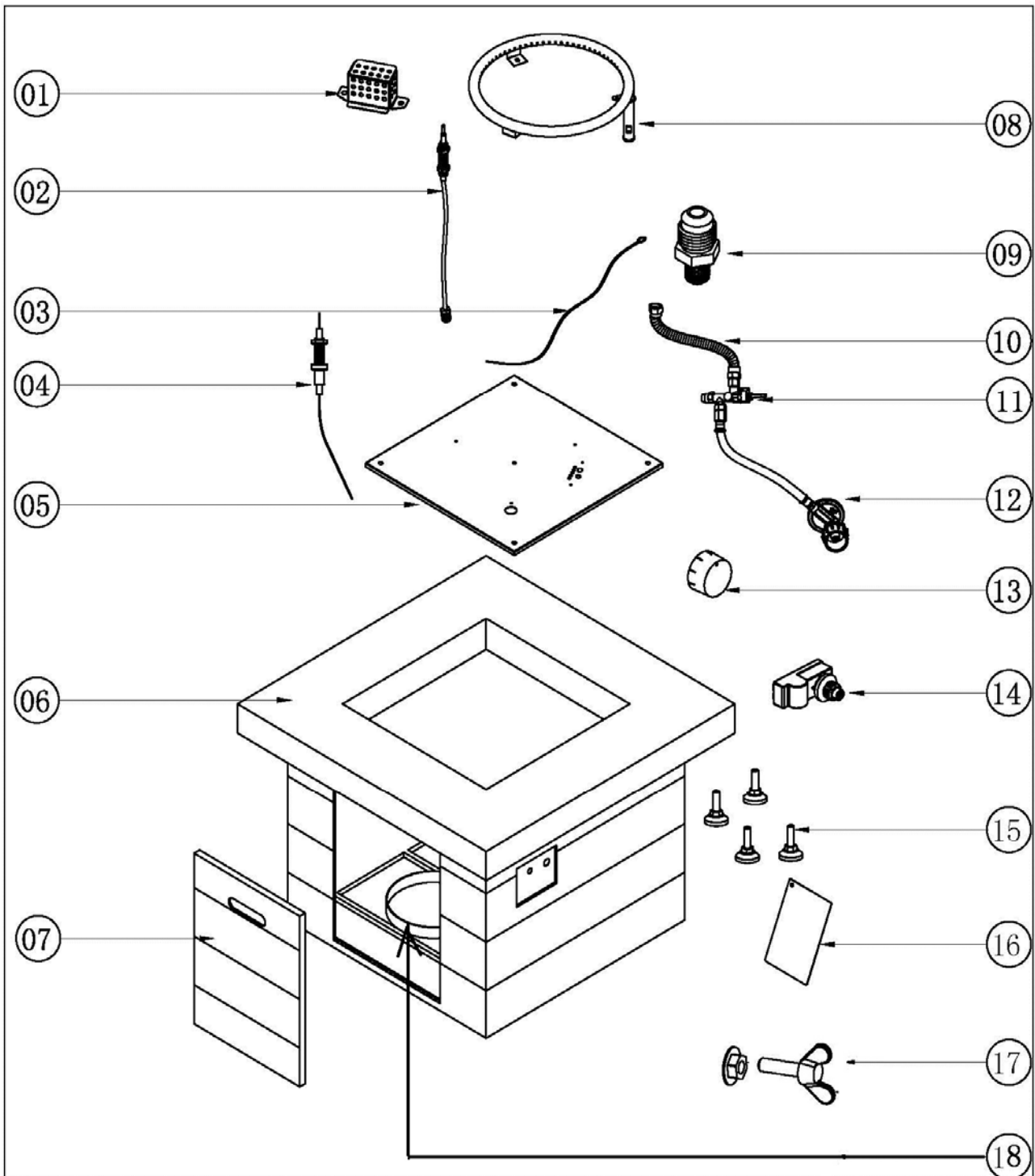
FIRE TABLE / COLUMN PARTS INTRODUCTION

Your Fire Table / Column is delivered pre-assembled whereby there is no assembly actions needed. Herebelow is an introduction to all the parts that forms your Fire Table / Column. Each part is different and holds its own function.




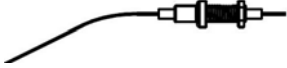






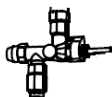




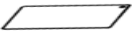

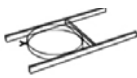
DO NOT attempt to change and or remove any part(s) thereof.

In the event of servicing and or operational issues, contact Qualified Services Technical Support and or seek Qualified Service Technician.

This line art below demonstrates the internal components of the Burner.



For your convenience all of the above components are individually described herebelow.

Tabulated here below are the description to all parts as shown in above Picture .			
Item	Picture	Description	Qty
01		Guard	1
02		Thermocouple	1
03		Ground Wire	1
04		Ignition Pin	1
05		Burner Plate	1
06		Main Frame of Fire Table	1
07		Door	1
08		Burner Ring	1
09		Nozzle	1
10		Corrugated Pipe	1
11		Switching Valve	1
12		Regulator Valve with Gas Hose	1
13		Control Knob	1
14		Ignitor	1
15		Foot	4
16		CSA Warning Label	1
17		Wing Screw with Nut	1
18		Metal Stand	1

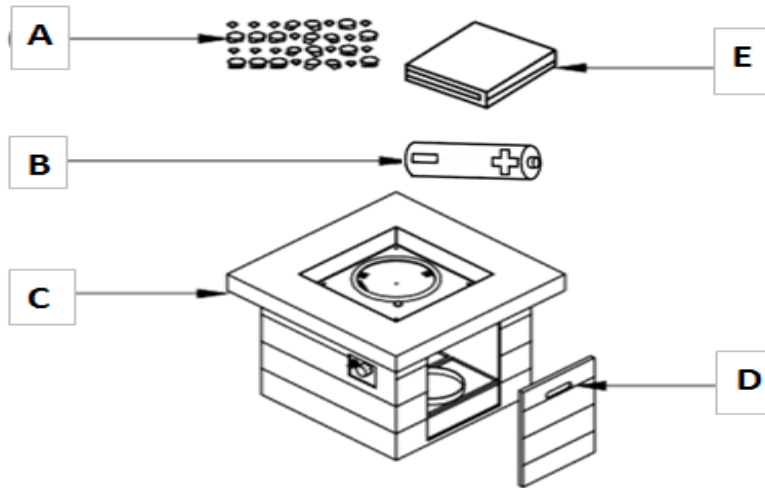
Part G.

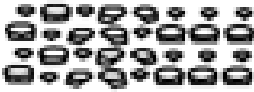
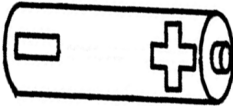



**User's Guide
Parts and Accessories of Fire Table / Column.**

Tabulated herebelow is the User's Guide to various Parts and Accessories to form your complete Fire Table /Column.

Before you start to assemble this product, make sure all parts are present.
Compare parts with package contents list.
If any parts are missing or damaged, DO NOT attempt to assemble the product.

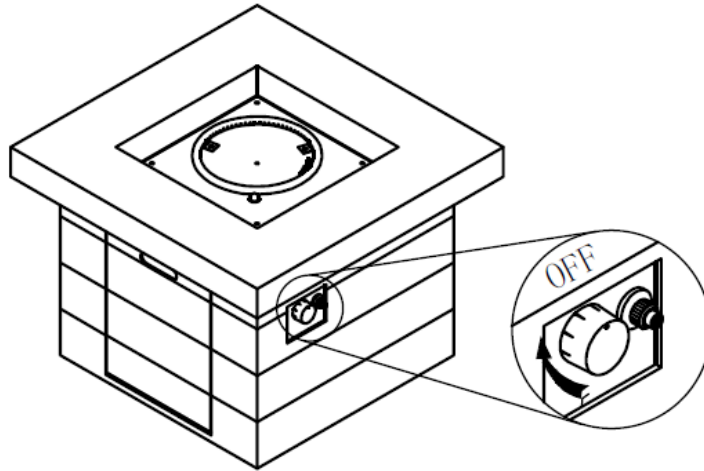
Before Beginning Assembly:



Part H.	Description :		
Item	Picture	Description	Qty
A		Lava Rocks	2 Boxes
B		AAA Battery	1 pc
C		Mainframe of Fire Table	1 pc
D		Door	1 pc
E		Protective Cover	1 pc

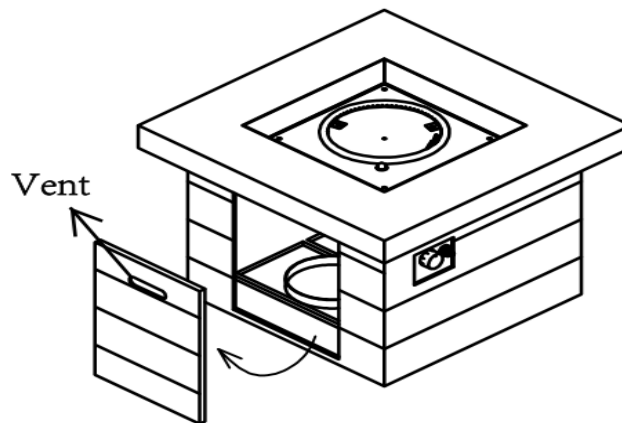
Tabulated herebelow are the basic steps to help you light and use your Fire Table / Column.

STEP 1



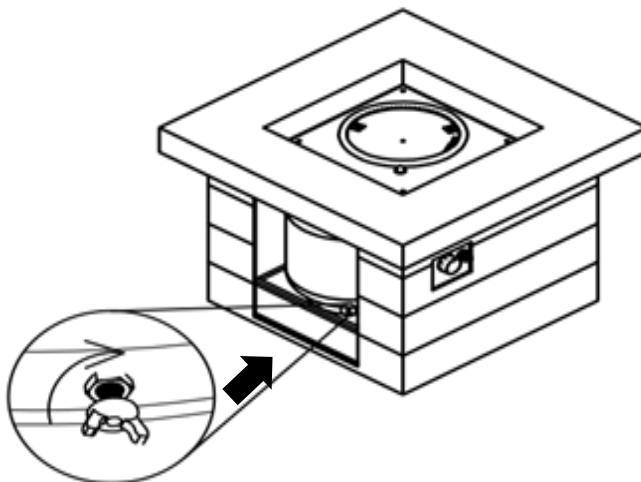
1. Check that the Control Knob (13) for the gas supply system is turned to the “OFF” position before starting any assembly.

STEP 2



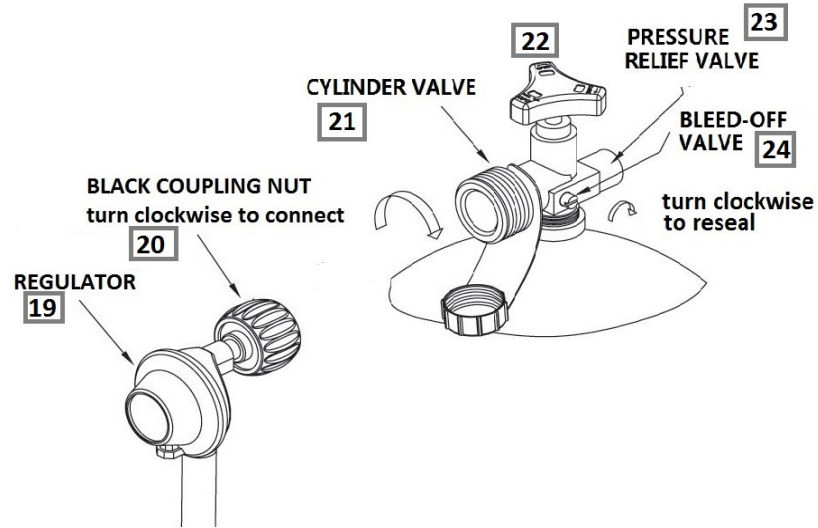
2. Put your hand into vent opening to lift and remove the Door (E) from the Fire Table / Column (C).

STEP 3



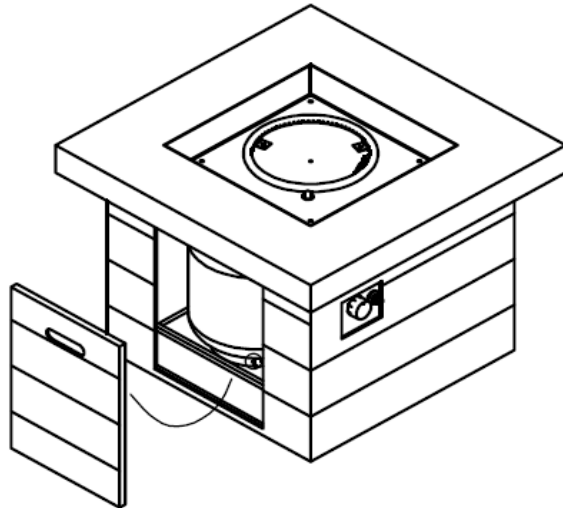
3. Place the 20lbs Propane Gas Tank (not included) into the Metal Stand (18). Make sure the Propane Gas Tank is placed completely into the Metal Stand (18). Turn the preassembled Wing Screw (17) in a clockwise direction in to the Nut (17) to secure the Propane Gas Tank tightly.

STEP 4



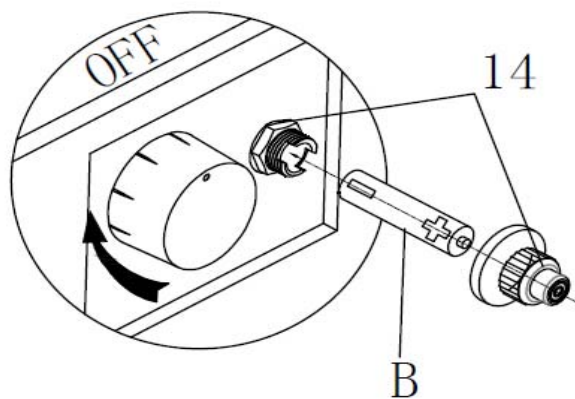
4. Turn the Cylinder Valve (21) on the tank in a clockwise direction to **TURN OFF SUPPLY** of the LP Gas supply .
Attach the preassembled Regulator (12/19) from the Fire Table / Column to the Cylinder Valve (21) by turning the Black Regulator Coupling Nut (20) clockwise.
Make sure it is fastened securely and tighten connections - by **HAND** only.

STEP 5



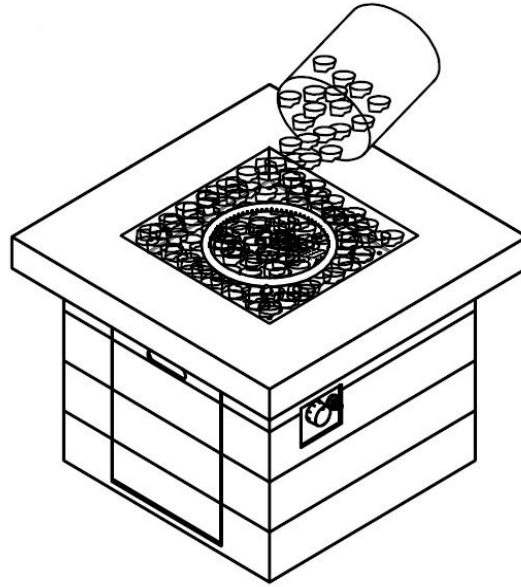
5. Replace and Close the Door (E) back to the Mainframe of the Fire Table / Column (C) .

STEP 6



6. Remove the Electronic Igniter Cap (14) on the electronic Igniter (14) by unscrewing and slide the Battery (B) into the battery slot (14).
Make sure the positive side of the Battery(B) faces outwards.
Screw the Electronic Igniter Cap (14) over the battery, tightly.

STEP 7



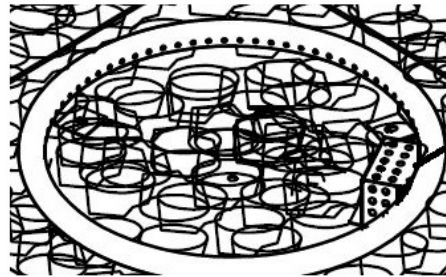
Subject to your preference, you may pour Lava Rocks / Pumice stones over the Burer Ring. The Guard **MUST NOT BE BLOCKED**. Refer to guidance below :

Note : Do not place more than 1/4 inch depth of lava rocks above the burner holes. Doing so will suffocate the flame.

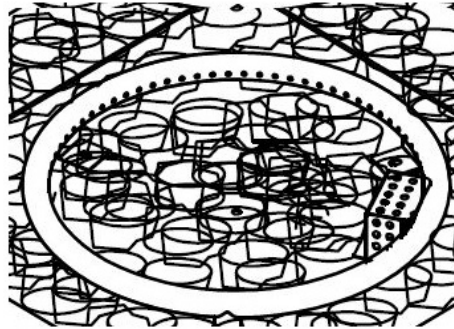
Note : Do not place more than 5KG of lava rocks above the burner holes. Doing so will suffocate the flame.



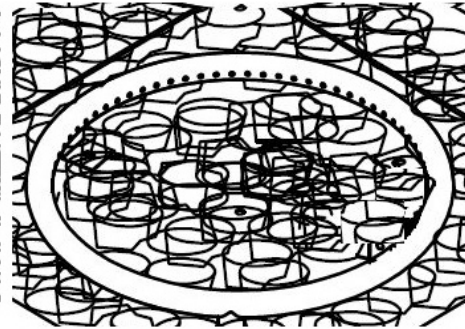
WARNING



Guard
DO NOT PLACE LAVA ROCKS ON THE GUARD. KEEP GUARD CLEAR .



CORRECT



INCORRECT

To ensure proper function, the Guard (01) on the Burner (08) should never have lava rocks (A) covered over it.

Before performing a leak test, be sure:

- 1.) DO NOT press the Ignitor .**
- 2.) You are in a spacious outdoor area.**

Connect the Propane Gas tank to the Regulator (12/19) and turn the Valve (22) on the unit to the “OFF” position.

Brush soap and water mixture onto all connections.

Turn the gas supply on;if extra large bubbles form on any connection there may be a leak. If you smell gas or a leak is discovered, IMMEDIATELY turn the gas valve off, disconnect Propane Gas tank.

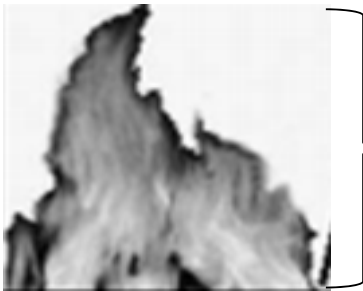
Do not use the appliance until the leak is repaired

The Fire Table / Column has a Door. Remove the Door and leave the Door on the floor. Inspect the Gas Hose (12) before use the Fire Table / Column.

If there are signs of wear or abrasion on the hose, you must replace the Gas Hose (12).And the Gas Hose must be supplied directly by manufacturer.

Lava rocks / pumice stones could pop up and strike somebody’s face during the process of lighting this unit.

Stand away from the Fire Table / Column for the initial 20 minutes after igniting.



2 inches to 10 inches.

Observe flame colour and flame height when the Fire Table/Column after being lit :

- 1.) Flame color should be yellow / blue.**
- 2.) Flame height burns at 2 - 10 inches high.**

Wait 10 minutes after extinguishing flame prior to replacing a lid (if applicable) or protective cover onto the Fire Table / Column.

Part K.

**SAFETY INFORMATION
USING YOUR FIRE TABLE / COLUMN**

Before each use, inspect the Gas Hose (12). Replace Gas Hose(12) if there are any signs of cutting, wear or abrasion.

Before you light your Fire Table / Column, please proceed / adopt the following steps :

1. Make sure the Control Knob (13) is in the “OFF” position.
2. Open the Door (07) and slowly open the Valve (22) on the Propane Gas Tank by turning the Control Knob (13) counterclockwise.
3. Close the Door (07) on the Main Frame (06) of the Fire Table / Column.
4. Push and hold in the Electronic Ignitor (14) to create sparks within the electrode continue to hold.
5. Push in the Control Knob (13) and turn to the “LOW” position.
Keep holding down the Control Knob (13) to allow gas to flow for 15 seconds.
6. If ignition doesn't occur within a few seconds release the Control Knob (13) and rotate to the “OFF” position.
Wait for 5 minutes for gas to clear and then repeat the above lighting instructions.
7. Once the Fire Table / Column is lit, the flame intensity may be controlled by turning the Control Knob (13) between the “LOW” and “HIGH” positions.



2 inches to 10 inches.

8. Observe flame height when lit:
 - 8.1.) Flame color should be yellow / blue.
 - 8.2.) Flame height burns at 2 - 10 inches high.

Part L.**SAFETY INFORMATION : TO SHUT DOWN YOUR FIRE TABLE / COLUMN**

To Shut Down your Fire Table / Column, please proceed / adopt the following steps :

1. Turn Control Knob (13) clockwise to the "OFF" position.
2. Close the Cylinder Valve (21) on the Propane Gas tank if you DO NOT intend to use it for a long time.

Part M.**MAINTENANCE - FIRE TABLE / COLUMN**

- Before performing any maintenance work, ensure the Control Knob (13) is in the "OFF" position and always disconnect Propane Gas tank.
- Keep the Fire Table / Column free and clear from all combustible materials.
- Visually inspect Burner (08) for obstructions and keep tank enclosure free and clear from debris.
- Use a soft brush to get rid of the mild stains, loose dirt and soil after the burner and pumice stones / lava rocks are completely cooled down. Wipe down with a soft cloth.
- Harsh weather conditions may cause stubborn stains, discoloration and possibly rust pitting.
- Permanent damage may occur if powder or solvent comes in contact with painted or plastic components on this Fire Table / Column.
- Keep the Fire Table / Column stored away from direct sunlight.
- If storing this unit inside, disconnect the Propane Gas tank from the Gas Valve (22) . Leave the gas tank outside of your premises.
- Not using manufacturer approved or supplied parts/accessories may result in a defective condition and shall void the warranty of this Fire Table / Column.
- Before performing any maintenance work, always:
 - 1) ensure Control Knob (13) is in 'OFF' position
 - 2) disconnect Propane Gas tank
- Keep the Fire Table / Column free and clear from all combustible materials.
- Visually inspect Burner (08) for obstructions and keep tank enclosure free and clear from debris.
- Place Lid (if applicable) and Protective Cover (E) on the Fire Table / Column when not in use.

Part N.

MAINTENANCE : FIRE TABLE / COLUMN SURFACE CARE

• Our Table / Column Fire Table material has been sealed with a treatment that prevents staining and moisture absorption, and for product longevity this Fire Table / Column would still require proper care and maintenance to ensure the integrity of the surface.

• Please see below for recommendations on maintaining your Fire Table / Column surface for years of extended use:

• Clean any spills immediately to prevent permanent surface(s) staining or damage to your Fire Table / Column.

Blot any liquid spills with a clean, dry cloth to avoid spreading of the spill to the rest of the table.

Immediate cleaning of stains / blotting of spills also prevents absorption of such stains / spills into the surfaces, compared to if such stains / spills are left for extended periods on these surfaces.

• How to Clean your Fire Table / Column surface(s) :

Mix a mild dish soap into warm clean water, use a soft, clean cloth or sponge..

Then proceed to remove surface dirt, stains or mild spills.

Rinse all soap solution off from the surfaces with a damp cloth.

Dry off completely with a dry cloth to avoid water spots / water marks.

Regularly cleaning the Fire Table / Column surface will aid in a longer lasting product.

• DO NOT use petroleum-based or abrasive cleaning products.

DO NOT use any harsh brushes / rough sponges when cleaning the Fire Table / Column surface(s).

• DO NOT slide products across the Fire Table / Column surface(s) to avoid permanent scratching and or damage(s).

• DO NOT place any food on the surface(s) of the Fire Table / Column.

DO NOT eat from the surface(s) of the Fire Table / Column surface.

• Fire Table / Column surface must be covered at all times when not in use.

Cover your product with an outdoor Protective Cover(E) when not in use to protect it from the elements.

Store your product indoors during winter months, leave the gas tank outside.

Avoiding extreme cold temperatures, as extreme cold temperatures may cause cracking of the tabletop.

Part O.	TROUBLE SHOOTING	
<p>Herebelow is a simple guide on frequently asked questions / frequently occurring issues.</p> <p>Read through carefully and execute accordingly and adequately.</p> <p>Whenever you are uncertain, please contact Qualified Technician Services and/or Fire Department.</p>		
Problem	Cause	Solution
Fire Pit / Fire Table / Column DOES NOT light up.	Ignitor pin (04) and Burner (08) are wet	Dry off with a soft cloth
	Ignitor Battery (B) is incorrectly inserted	Check which direction the battery is inserted OR battery needs to be replaced
	Ignitor Pin (04) is broken	Contact Manufacturer for a replacement part
	Ground Wire (03) is loose or disconnected	Reconnect wire to the ignitor box located inside the table behind the ignitor box
	Ground Wire (03) is shorting between Valve and Ignitor Pin(04)	Contact Manufacturer for a replacement part
Burner DOES NOT light while using a match	No Gas flow	Check that the Gas tank isn't empty
	Regulator(12/19) isn't connected securely to the tank	Tighten Regulator connection to the Gas tank
	Gas flow is obstructed	Check all hoses (12) for kinks and bends.
	Burner holes are clogged	Turn all gas flow connections OFF. Insert an opened paperclip (or similar item) into each of the burner ports to clear them out.
Heater unit emits a lot of black smoke	Flame is obstructed at burner holes	Check that all Burner holes are free of any small lava rocks/ pumice stones pieces.
	Regulator(12) hose is kinked	Straighten Hose (12) of all bends or kinks.
Sudden drop in gas flow	No Gas flow	Check that the Gas tank isn't empty.
	Excess flow Safety Valve(11) has been activated	Turn the Control Knob(13) to the 'OFF' position. Close the Tank Valve and disconnect Propane gas tank. Turn the Control Knob(13) to 'HIGH'; wait 1 minute. Turn the Control Knob (13) back to the 'OFF' position. Reconnect Propane gas tank. Light the fire unit as indicated in the 'To Light' section of this manual.
Flame blows out easily	High or gusting winds	Increase flame to 'HIGH'
	No gas flow	Check that the gas tank isn't empty
	Excess flow safety valve has been activated	See 'Sudden drop in gas flow' above

Part P.**WARRANTY**

The manufacturer warranty shall be voided, and manufacturer disclaims any responsibility for the following actions whereby the Customer / Consumer / Owner has :

- Made modification(s) to the unit and / or components including the Gas Valve assembly. The Owner shall contact the Local Supplier and Quaified Service Person to repair these parts.
- Use any component part / change to parts that are NOT manufactured or approved by manufacturer
- Use and installation other than what is listed in this Owner's Manual.

Please contact the manufacturer for replacement parts.

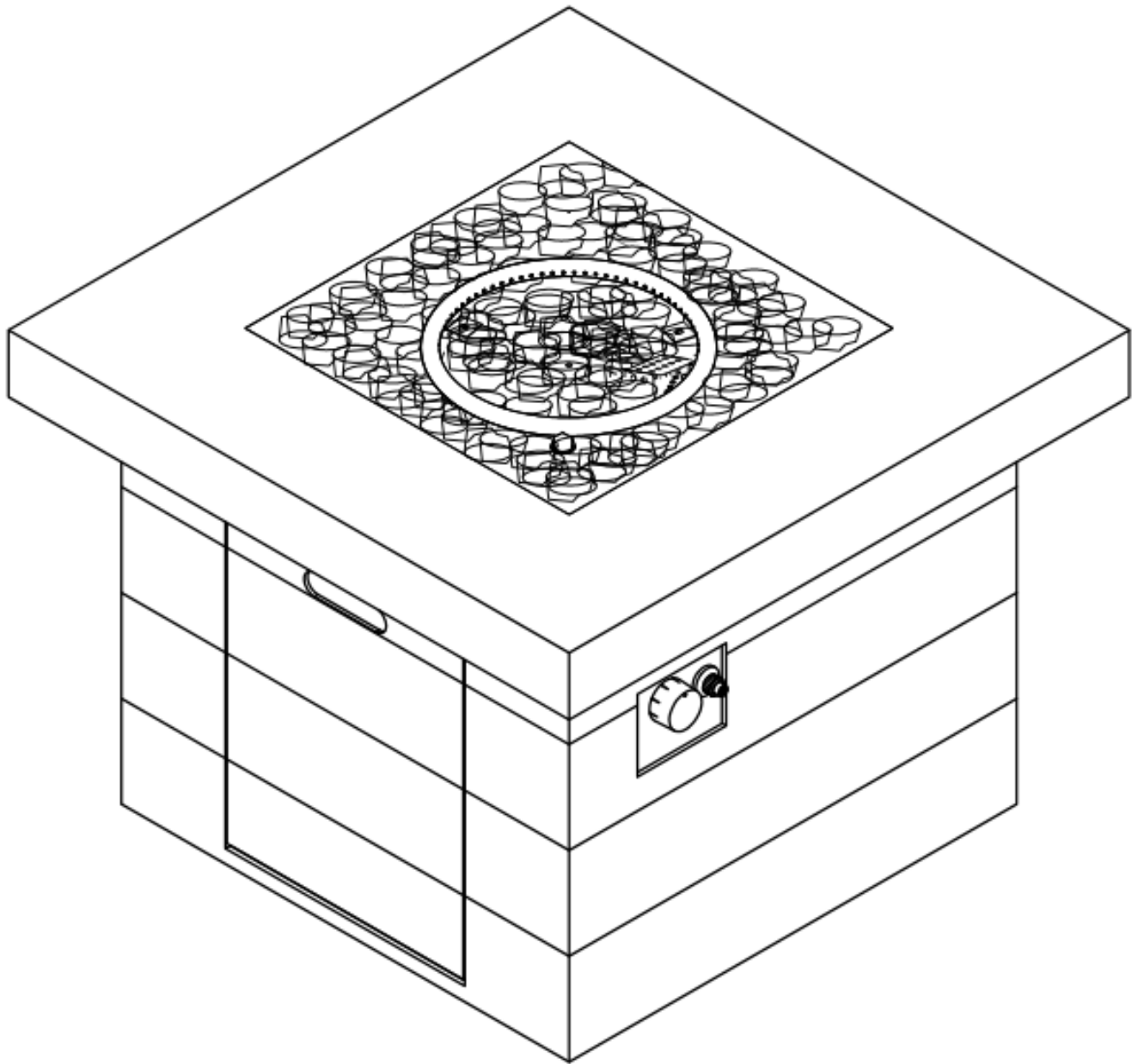
Part Q.**CONTACT**

If you have any questions or concerns, our Trained Staff are ready to assist you.

MANUEL INSTRUCTIONS DU PROPRIÉTAIRE

Foyer au Gaz

Manuel & Guide de l'Utilisateur



LIMITATION DE GARANTIE ET RESPONSABILITE

AVERTISSEMENT: Veuillez Lire cette Limitation de Garantie et Responsabilité avant d'Utiliser ce Produit. Si les Conditions ne Sont pas Acceptable, Retourner le Produit Non Ouvert Immédiatement, le Prix d'Achat Sera Remboursé.

Il est impossible d'éliminer tous les risques associés avec l'utilisation de ce produit. Ces risques proviennent de conditions climatiques, de la façon d'utiliser ou d'appliquer, ou d'autres facteurs inconnus, tous sont hors du contrôle du vendeur ou fabricant. Ces risques peuvent causer des lésions corporelles ou la mort, inefficacité du produit, et dommages à d'autres propriétés. Le vendeur et fabricant ne sont pas d'accord d'être un assureur responsable de ces risques. Vous avez d'accord d'accepter ces risques.

Le vendeur et fabricant garantissent que ce produit convient raisonnablement aux buts décrits dans le Manuel d'Instructions du Propriétaire, soumis aux risques inhérents décrits au-dessus, lorsqu'il est utilisé conformément avec le Manuel d'Instructions du Propriétaire dans les conditions normales. Le Vendeur ou Fabricant ne fournissent aucune garantie expresse ou implicite d'adaptation ou de commercialité ni d'autre garantie expresse ou implicite.

En aucun cas le Fabricant ou Vendeur est responsable pour aucun dommage-intérêts accessoires, indirects ou spéciaux résulte de l'utilisation ou de la manutention de ce produit. Les attentes négociées de l'acheteur ou l'utilisateur est pour utilisation domestique du produit en accordance avec le Manuel d'Instructions du Propriétaire et dans les conditions normales et c'est le seul recours donc disposent l'acheteur et l'utilisateur et aussi la seule responsabilité du Fabricant ou Vendeur, pour tous déclarations, pertes, blessures et dommages (y compris les réclamations basée sur la violation de la garantie ou du contrat, négligence ou responsabilité stricte) résulté de l'utilisation ou manutention de ce produit, est le remboursement le prix d'achat du produit, ou, lors de l'élection du Fabricant ou Vendeur, le remplacement du produit.

Toute déclaration de l'acheteur ou d'utilisateur de ce produit doit être soumise pendant un (1) an de la date de blessure ou dommage ou la déclaration ne sera pas prescrite. L'acheteur et l'utilisateur renoncent à tout droit à déclarer tout recours collectif pour des défauts du produit, défauts de conception, ou absence d'avertissement des dangers du produit ou de l'installation sûre.

Cette Limitation de Garantie et Responsabilité ne peut pas être changée par tout accord oral ou écrit.



POUR USAGE EXTERIEUR SEULEMENT !



Si vous détectez une odeur de gaz :

1. Coupez l'alimentation en gaz de l'appareil.
2. Éteignez toute flamme nue.
3. Si l'odeur persiste, tenez-vous à distance de l'appareil et appelez immédiatement le fournisseur de gaz ou le service d'incendie.



N'entreposez pas et n'utilisez pas d'essence ni d'autres vapeurs ou liquides inflammables à proximité de cet appareil ou de tout autre appareil.

Ne rangez pas de bouteille de propane liquide non raccordée à proximité de cet appareil ni de tout autre appareil.



Les installations, réglages, modifications, entretiens ou réparations incorrects présentent des risques de dommages corporels ou matériels.

Lisez soigneusement le guide d'utilisation avant d'installer ou d'entretenir ce foyer au gaz.

Si les directives dans ce manuel ne sont pas suivies avec exactitude, un incendie ou une explosion pourrait se produire, causant des dommages matériels, des blessures corporelles ou une perte de vie.



RISQUE LIÉ AU MONOXYDE DE CARBONE

Cet appareil peut générer du monoxyde de carbone, un gaz inodore. L'utilisation de cet appareil dans un endroit fermé pourrait causer la mort. N'utilisez jamais cet appareil dans un endroit fermé comme une caravane, une tente, une automobile ou une maison.



Conservez ces instructions pour une utilisation future. Si vous installez cette unité pour quelqu'un d'autre, remettre ce manuel à lui ou à elle et lire et épargner pour l'avenir.



Part A.**RENSEIGNEMENTS SUR LA SÉCURITÉ**

Avant d'assembler ou d'utiliser cette unité, veuillez lire avec soin tout ce guide. L'omission de ce processus peut entraîner un incendie, une explosion, une blessure corporelle ou la mort.



L'installation de cette unité doit être conforme aux codes locaux ou au National Fuel Gas Code, ANSI Z223.1/NFPA5A, ou au Code national d'installation pour les appareils et propane CAN/CSA-B149.1.

CETTE UNITÉ EST CONÇUE UNIQUEMENT POUR UN USAGE EN PLEIN AIR! Ce produit doit s'utiliser en plein air, dans un espace aéré, et ne doit pas être utilisé dans un espace fermé.

On doit utiliser cette unité uniquement avec le gaz propane! (le gaz n'est pas fourni avec ce paquet, il est vendu séparément).

• N'attachez pas une source externe d'alimentation en gaz à cette unité.

• Cette unité n'est pas conçue pour le gaz naturel.

• La conversion de cette unité au gaz naturel est dangereuse et déconseillée. La conversion de cette unité annulera la garantie du fabricant.

• N'utilisez pas un combustible solide ou le charbon de bois dans cette unité.

• Lors de l'allumage de cette unité, écartez-vous du brûleur, parce que la flamme s'allumera et peut entraîner une blessure.

• **MISE EN GARDE POUR LE GPL :** Ne dépassez pas une profondeur de 6,3 mm (1/4 po) de pierres de lave/pierres ponces/Lava GlassMD sur les orifices du brûleur. Trop utiliser les pierres de lave/pierre ponce étouffera la flamme.

• Si une fuite dans la bouteille de gaz propane est présente, vous pourriez entendre, voir ou sentir un sifflement. Procédez comme suit:

1. Détachez la bouteille de gaz propane.
2. N'essayez pas de régler le problème vous-même.
4. Eloignez tous le monde de la zone immédiatement.
3. Une fois tous le monde est en sécurité loin du foyer au gaz, communiquez avec votre fournisseur de gaz ou le service d'incendie pour obtenir de l'aide.

L'application de trop de propane peut entraîner une accumulation de gaz qui ne brûlera pas. Permettez l'entrée d'air frais dans l'unité pour que le gaz qui reste puisse s'échapper.

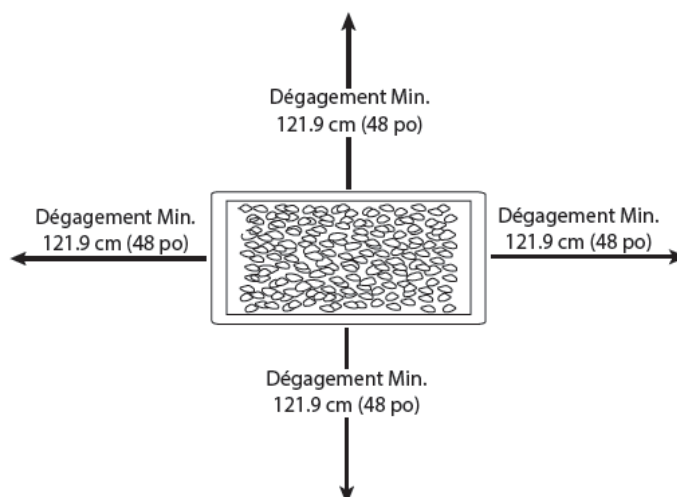
• N'utilisez pas une flamme pour vérifier s'il y a des fuites de gaz.

• Pression d'entrée de l'alimentation maximale : alimentation max. en gaz 279 mm (11 po) colonne d'eau (2,74kPa)

• Employez des bouteilles de GPL avec les dimensions suivantes : diamètre de 30,5 cm (12 po), hauteur de 45,7 cm (18 po) - capacité £ 20.

• Il faut utiliser une bouteille de propane munie d'une bague de protection de la valve de gaz.

- **NE remplissez PAS la bouteille à un niveau supérieur à 80 %.**
- **Le système d'alimentation de la bouteille doit assurer le retrait de vapeur.**
- **Cessez l'utilisation si une partie de la bouteille de propane est endommagée. La rouille et les bosses peuvent être dangereuses et doivent être inspectées par un fournisseur de gaz.**
- **Ne brûlez rien d'autre que les matériaux fournis pour ce foyer de jardin.**
- **Écartez-vous de l'unité pendant les 20 premières minutes suivant l'allumage pour la première fois, puisque les pierres de lave/pierres ponces/Lava GlassMD pourraient en sauter et provoquer une blessure. Si des pierres en sautent, jetez-les.**
- **Assurez-vous que les pierres de lave/pierres ponces/Lava GlassMD soient complètement sèches avant l'usage. Ne pas observer cela les fera fêler ou sauter.**
- **N'utilisez pas l'unité jusqu'à ce que toutes les pièces soient complètement assemblées.**
- **Ne peignez ni teignez aucune partie de ce Foyer.**
- **L'unité peut être chaude pendant l'utilisation; n'essayez pas de la déplacer quand elle fonctionne.**
- **Ne laissez jamais cette unité de chauffage sans surveillance pendant l'usage.**
- **Cette unité n'est pas conçue pour faire la cuisine.**
- **Gardez tout article inflammable à l'écart et n'utilisez aucune autre housse de foyer pour cette unité.**
- **Tenez-vous à une distance sécuritaire pour éviter la brûlure de la peau ou des vêtements.**
- **N'asseyez-vous ni reposez les mains ou les pieds sur ce foyer.**
- **N'asseyez-vous ni reposez les mains ou les pieds sur cet appareil de chauffage.**
- **Ne mettez jamais les mains ou les doigts sur la partie supérieure de cette unité pendant son usage.**
- **On ne doit pas tenir des matériaux combustibles dans une distance de moins de 1,83 m (72 po) du haut de l'unité, ou dans une distance de moins de 1,21 m (48 po) autour de l'unité en entier.**



• Gardez l'appareil propre et libre de matériaux combustibles, essence et autres vapeurs et liquides inflammables.

• Si la flamme s'éteint lors du brûlage, fermez la valve de gaz. Attendez 5 minutes avant de relancer la procédure initiale d'allumage. Quand une flamme se produit, maintenez enfoncé le bouton de commande pendant une minute.

• N'ajoutez pas d'eau dans l'unité.

N'utilisez pas l'unité si une partie a été submergée dans l'eau. Appelez immédiatement un technicien de service qualifié pour inspecter l'appareil.

Dans le cas nécessaire, avoir le technicien remplacer toute partie du système de contrôle ou toute commande de gaz ayant été immergée.

• Ne détachez aucune pièce pendant l'usage de l'unité.

• N'entreposez pas une bouteille de propane de rechange sur ou à proximité de cette unité.

• Si le foyer est à l'intérieur, détachez la bouteille de propane et laissez-la à l'extérieur. Cet unité est pour usage extérieur SEULEMENT.

• N'utilisez pas cette unité dans un bateau ou véhicule. Il faut opérer cette unité UNIQUEMENT sur une surface plane à l'extérieur.

• Retirez toujours la housse protectrice avant l'opération ou l'utilisation du Foyer (le cas échéant).

• Ne mettez pas la housse protectrice sur l'unité avant qu'elle soit arrêtée et complètement refroidie.

• Vérifiez s'il y a une fuite après des périodes prolongées de non utilisation.

• Ne permettez jamais aux enfants d'utiliser ce Foyer. Il faut surveiller les enfants quand ils sont à proximité de cette unité.

• La pression d'alimentation en gaz maximale est de 250 psi.

• Toute installation et toute réparation doivent se faire par un technicien d'entretien qualifié. Cette unité doit être inspectée annuellement et nettoyée de façon régulière.

• Inspectez tous les éléments de cet appareil de chauffage avant chaque usage. S'il y a des dommages, il faut remplacer le brûleur.

• Soyez conscient des dangers des températures élevées et tenez-vous loin de l'unité pour éviter des brûlures ou blessures.

• Il faut que la bouteille de propane soit conçue et étiquetée conformément aux spécifications pour les bouteilles de GPL du U.S. Department of Transportation (DOT) ou de la Norme nationale du Canada, CAN/CSA-B 339, Bouteilles à gaz cylindriques et sphériques pour le transport des marchandises dangereuses; et commission.

• La bouteille de GPL doit être munie d'un dispositif homologué de protection contre le remplissage excessif et d'un raccord de bouteille de GPL QCCI ou de Type 1 (CGA810).

• On ne doit pas utiliser cet appareil de chauffage sur des bureaux en plastique ou en bois artificiel.

• Il faut que les enfants et les adultes soient avertis des dangers des surfaces chaudes et qu'ils se tiennent à une distance sécuritaire afin d'éviter les brûlures ou l'inflammation des vêtements.

• IL FAUT surveiller les jeunes enfants de près quand ils sont à proximité de l'appareil.

• On ne doit pas suspendre des vêtements ou tout autre matériel inflammable, ni les placer sur ou près de l'appareil.

• Il faut remplacer tout revêtement de protection ou autre dispositif de sécurité enlevé pour l'entretien de l'appareil avant de faire fonctionner l'appareil.

• L'installation et la réparation doivent se faire par un technicien d'entretien qualifié.

L'appareil

doit être inspecté par un technicien d'entretien qualifié avant l'usage et au moins une fois par an.

Un nettoyage plus fréquent peut être nécessaire au besoin.

Il faut garder propres le

compartiment de commande, les brûleurs et les voies de circulation d'air.

S'IL Y A LIEU :

- Garder la bouteille de gaz à 5 pieds de l'unité en allumage (bouteille extérieure)
- Permettez le refroidissement complet de l'appareil de chauffage avant de remettre la housse.
- Garder le tuyau loin des voies de cheminement pour éviter les dommages par accident (bouteille extérieure).
- N'utilisez PAS l'appareil de chauffage quand la housse est en place. Retirez toujours la housse quand l'appareil de chauffage est utilisé.

Utilisez uniquement le régulateur (12/19) et l'ensemble raccord-tuyau (12) fournis avec cette unité. Les pièces de rechange doivent être fournies directement par le fabricant.

Inspectez le brûleur (08) avant l'utilisation de cette unité. Si le brûleur (08) indique des signes de dommage quelconque, n'utilisez pas l'appareil.

Pour obtenir de l'aide avec la réparation ou le remplacement du brûleur ou de toute autre pièce, appelez.

REMARQUE : Il vous faut suivre toutes les étapes pour assembler correctement cet appareil de chauffage. Assurez-vous que la valve de gaz est à la position 'OFF' (arrêt) avant l'assemblage. N'essayez PAS de l'assembler sans les bons outils.

Ci-dessous est présenté l'affichage visuelle du Tableau Opération comme vous pouvez trouver sur votre Foyer.
 Veuillez lire avec attention avant de l'utiliser.

CAUTION / MISE EN GARDE
 Gas supply must be turned off at the gas source when this appliance is not in use.
 Le réservoir de propane doit être débranchée lorsqu'il n'est pas utilisé.

**IGNITER PUSH
 BOUTON-POUSSOIR
 D'ALLUMAGE**

**LOW
 BAS**

OFF/ARRÊT

HAUT/HIGH

LIGHTING INSTRUCTIONS

- 1) Read operating instructions before lighting.
- 2) Burner Control Knob must be in "OFF" Position
- 3) Make sure that the fuel supply is properly connected and open at the tank. (Read owner's manual).
- 4) **Push and hold** Igniter Button to create sparks.
- 5) While holding the Igniter Button, push and turn the Control Knob to the "LOW" position to light the burner.
- 6) If ignition does not occur in 5 seconds, push and turn the Control Knob to "OFF", wait 5 minutes and allow gas to dissipate.
- 7) Once the burner is lit, continue to hold the knob in for another 20 seconds and release;
- 8) If igniter will not light burner, instead please use a long match or extended butane lighter.

TURNING OFF

- 1) Push and turn the Control Knob clockwise to the "OFF" position.
- 2) Turn the gas off at its source (cylinder or quick connect).

ALLUMAGE

- 1) Lisez les directives avant l'allumage.
- 2) Il faut que le bouton de commande soit dans la position "ARRÊT".
- 3) Raccorder la bouteille de propane (PL) (voir manuel d'instructions).
- 4) **Pousser et retenir** le bouton d'allumage pour produire des étincelles.
- 5) Tout en tenant le bouton d'allumage d'une main, avec l'autre main, pousser et tourner le bouton de contrôle en position **BAS** pour allumer le brûleur.
- 6) Continuer la pression sur le bouton de contrôle du brûleur durant **5** secondes après l'ignition. Attendre 5 minutes et répéter la procédure d'allumage.
- 7) Une fois le brûleur est allumé, maintenir la pression sur le bouton pendant 20 secondes puis relâcher;
- 8) Si allumeur brûleur pas la lumière s'il vous plaît utiliser une longue allumette ou briquet butane étendue.

EXTINCTION

- 1) Tourner et pousser le bouton de commande dans le sens horaire jusqu'à la position "ARRÊT"
- 2) Détacher la bouteille de propane.

Part C

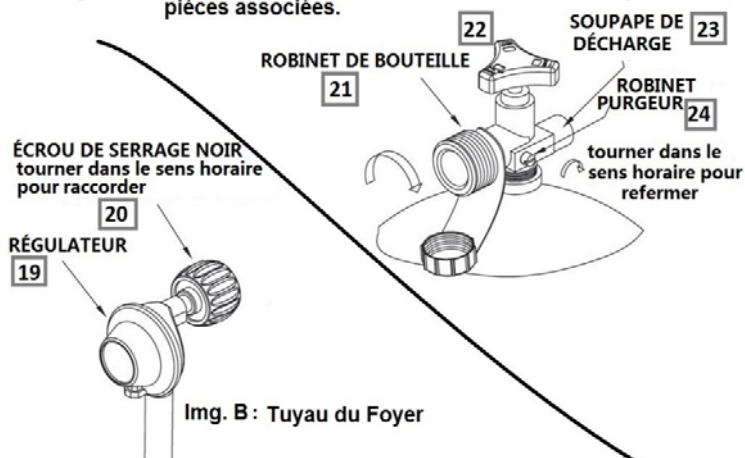
Guide de l'Utilisateur: Pièces et Accessoires du Régulateur, Valve de Charge de Cylindre et Etapes pour Connecter la Bouteilles au Foyer.

Cette paragraphe de l'Information sur la Sécurité contient les informations qui:

- 1) vous présente le régulateur (pre-connecté au Foyer)
 - 2) la Valve d'Alimentation de la Bouteille de gaz et les valves correspondantes.
- Il y a des Foyers qui possèdent la Bouteille de gaz à l'intérieur ou à l'extérieur.

Le Propriétaire/Utilisateur doit connaître toutes les pièces de la Valve de Charge et Régulateur. Cette image montre différentes parties de la Valve de Charge de la Bouteille de Gaz et le Régulateur (12/19) préconnecté au Foyer. Les différents composants et pièces de cette Bouteille de Gaz et Régulateur du Foyer, comme sur l'image ici à gauche.

Img. A : Valve d'alimentation de la Bouteille de Gaz avec les pièces associées.



Img. A : La Valve de Charge de Cylindre avec différents valves et écrous, ceux-ci forment le haut du Cylindre de Gaz.

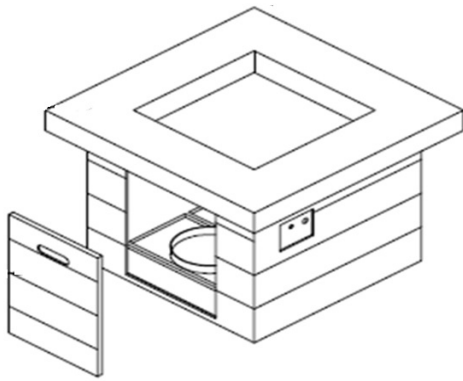
Img. B : Le Régulateur est connecté à un tuyau. Ce Régulateur est préconnecté au Foyer.

Il y a deux types de Foyer.

Type 1: Le Foyer a un compartiment interne pour la Bouteille de Gaz, ou la Bouteille de Gaz est gardé à l'intérieur du Foyer. La Bouteille est gardée et retenue en place à l'intérieur du Foyer avec un Anneau en Métal et sécurisée avec une vis ailée.

Type 2 : Le Foyer a une Bouteille de Gaz visible à l'extérieur, dans ce cas le tuyau doit avoir une longueur d'au moins 5 pieds.

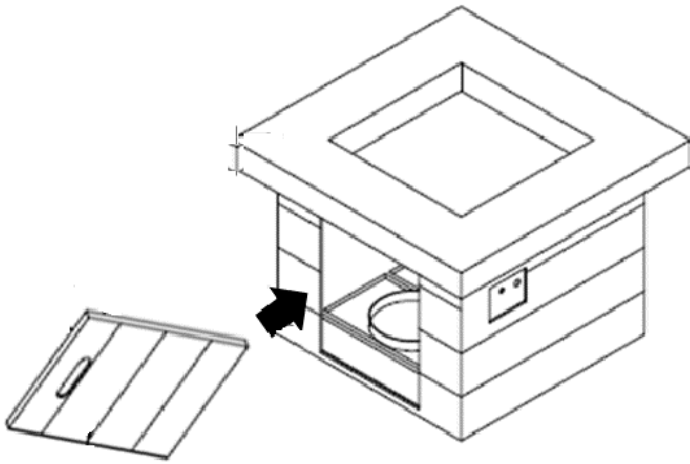
Dans certains cas, les Clients achètent un Compartiment de Bouteille de Gaz séparément pour retenir la Bouteille. Dans ce cas, il faut aussi avoir au moins 5 pieds de tuyau.

Part D**Guide de l'Utilisateur : Placer la Bouteille de Gaz dans le Foyer.**

Le Foyer a une porte. Enlevez la porte et laissez-la sur le sol.

Dedans, vous allez voir un support en métal avec un vis ailée/écrou pré-attaché.

Commencez à dévisser la vis ailée.



Insérer la Bouteille de Gaz comme indiqué la flèche noir.

Placer doucement et confortablement sur le Support en métal.

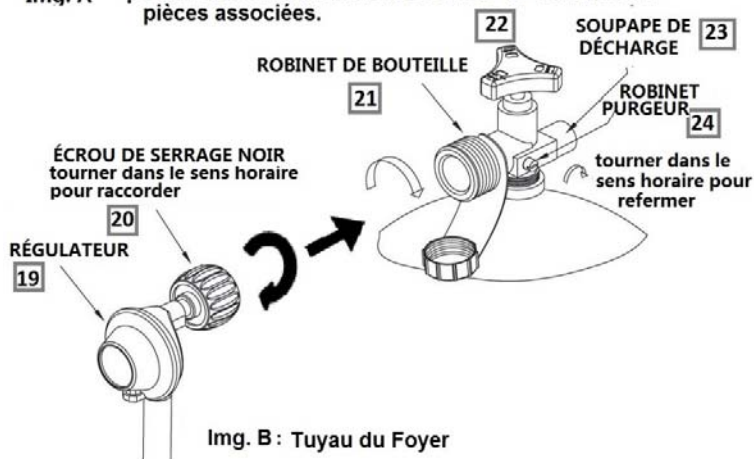
Positionner la vis ailée en place.
Tourner la Vis à fond dans l'écrou.

La bouteille est maintenant sécurisée en place.

Part E.**Guide de l'Utilisateur : Connecter le Foyer à la Bouteille de Gaz.**

L'étape suivante vous guider à connecter le Foyer à la Bouteille de Gaz.

Img. A : Valve d'alimentation de la Bouteille de Gaz avec les pièces associées.



Étape 1 : Attachez l'écrou de serrage sur le régulateur à la valve de cylindre.

Étape 2 : Tourner l'écrou de serrage, dans le sens horaire jusqu'à blocage complet en position.

Étape 3 : Vérifiez de la fuite: Brossez une solution de détergent dans l'eau sur tous les connexions.

Allumer l'alimentation de gaz, s'il forme les grandes bulles sur un point de connexions, il est possible d'avoir une fuite. Si vous sentez de gaz ou une fuite est trouvée, éteindre IMMEDIATEMENT la valve de gaz, déconnectez la bouteille de propane.

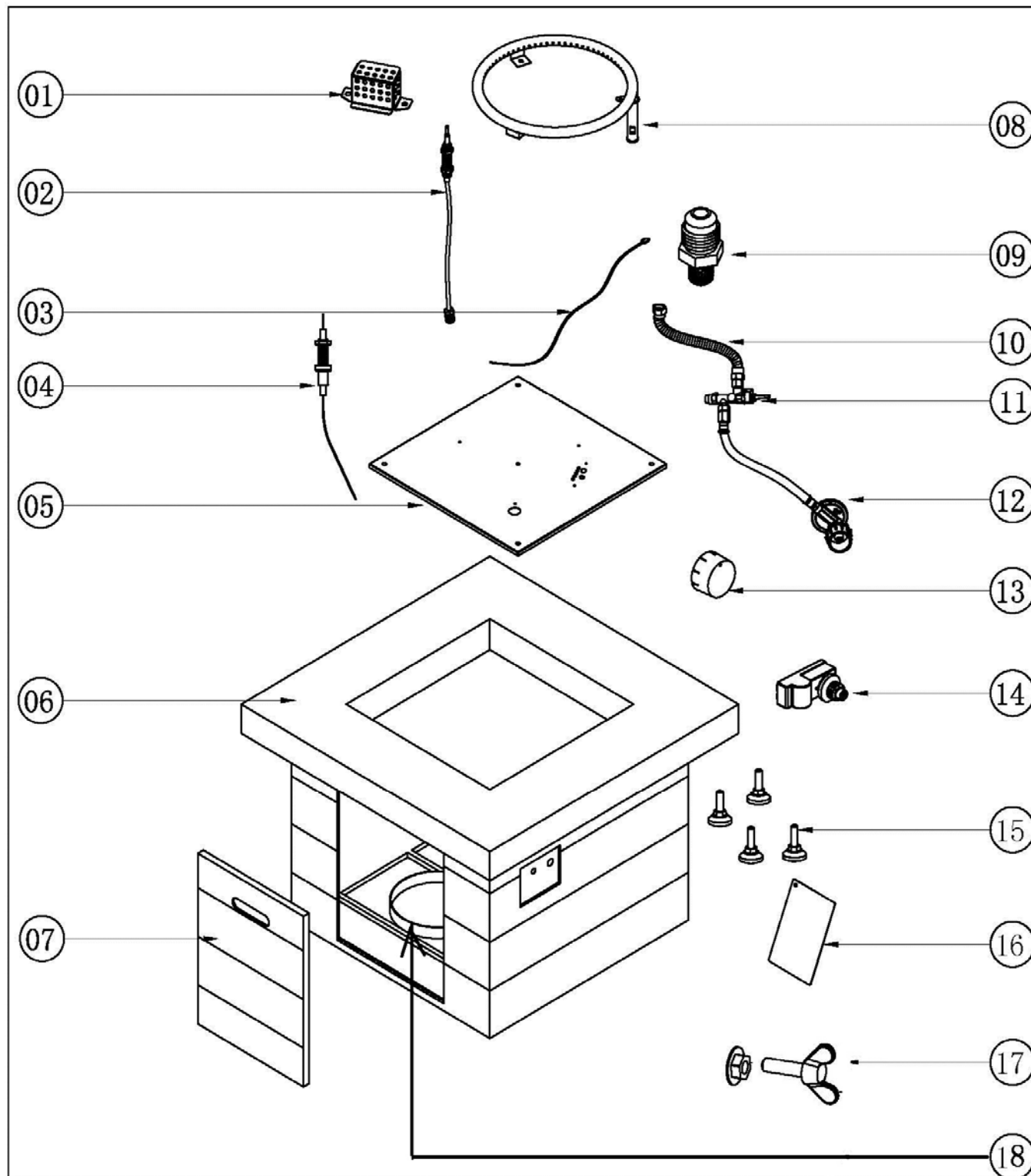
Ne pas utiliser l'appareil jusqu'à ce que la fuite est réparée.

Votre Foyer est livré pré-assemblé donc l'assemblage n'est pas nécessaire. Ci-dessous est une introduction à toutes les pièces qui forment votre Foyer. Chaque pièce est différente et possède sa propre fonction.

NE PAS essayer de changer ou enlever une partie de celui-ci.




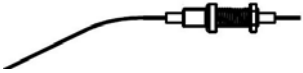



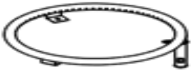


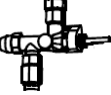




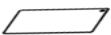
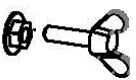

En cas de problème d'entretien ou opérationnel, contactez un Service de Support Technique ou un Technicien de Service Qualifié.

Ce dessin au trait en-dessous décrit les composants interne du Bruleur.



Pour votre convenance, tous les composants ci-dessus sont individuellement décrit ici en-dessous.

Le tableau suivant présente tous les pièces montrées au-dessus.

Article	Image	Description	Qté
01		Protection	1
02		Thermocouple	1
03		File de Terre	1
04		Tige d'allumage	1
05		Plaque de Bruleur	1
06		Cadre Principal du Foyer	1
07		Porte	1
08		Anneau de Bruleur	1
09		Buse	1
10		Drain Annelé	1
11		Valve de Commutation	1
12		Valve Regulateur	1
13		Bouton de Commande	1
14		Allumeur	1
15		Pied	4
16		Etiquette d'avertissement CSA	1
17		vis ailée avec écrou	1
18		Support en Métal	1

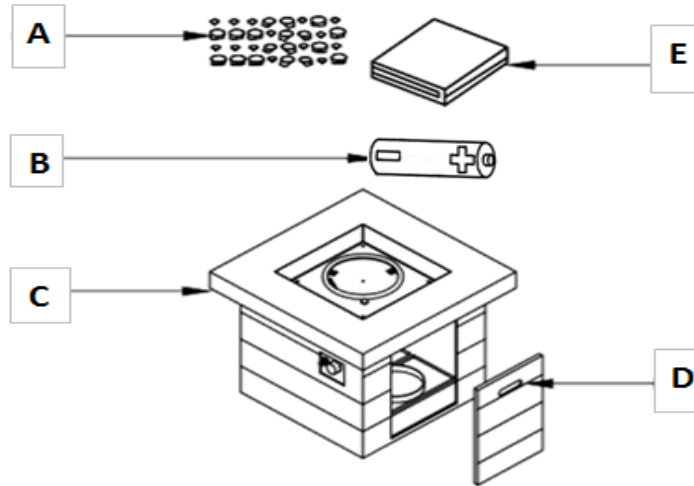
Part G.

**Manuel de l'Utilisateur
Pièce et Accessoires du Foyer**

Le tableau ci-dessous est une guide à différentes pièces et accessoires pour compléter le Foyer.


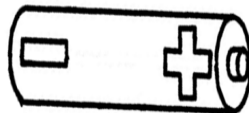



Avant de commencer à assembler ce produit, assurez-vous d'avoir toutes les pièces.
Comparer les pièces que vous avez avec la liste.
Si une ou plusieurs pièces est manquée ou endommagée, NE PAS essayer d'assembler le produit.

Avant de Commencer l'Assemblage:



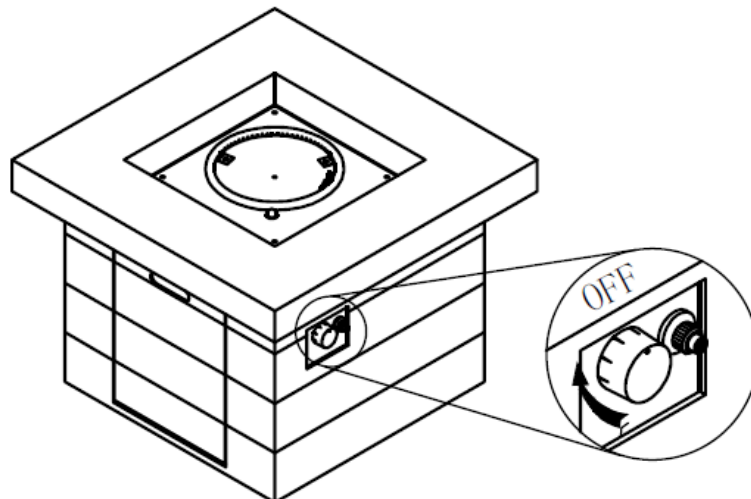
Part H.

Description :

Article	Image	Description	Qté
A		Pierre de Lave	2 Boites
B		Pile AAA	1 pc
C		Cadre Principal du Foyer	1 pc
D		Porte	1 pc
E		Housse Protectrice	1 pc

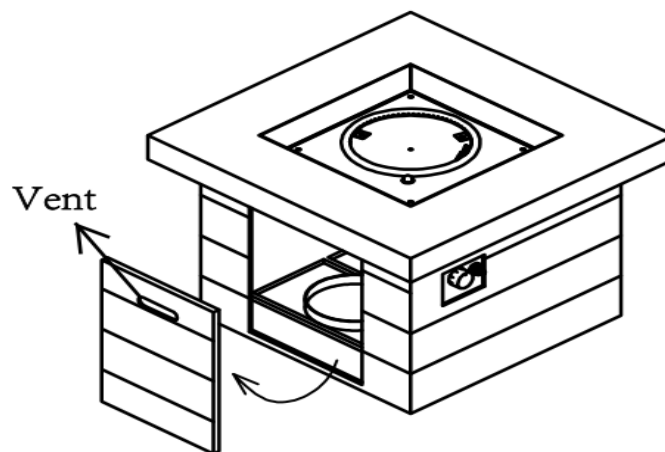
Le tableau ci-dessous présente les étapes principales pour allumer et utiliser votre Foyer.

ETAPE1



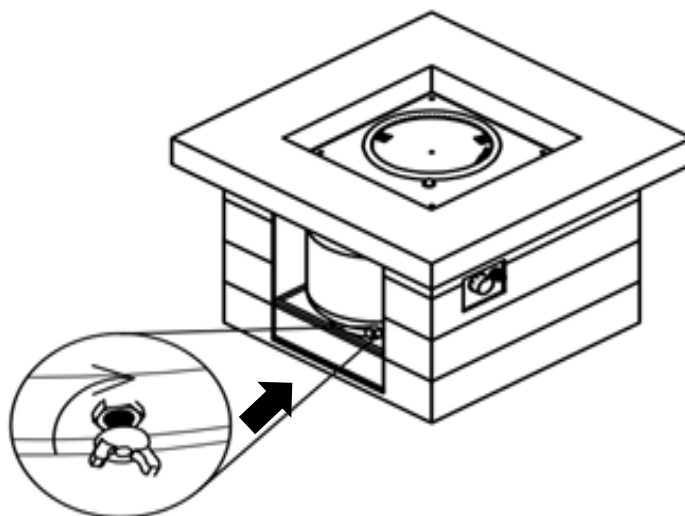
1. Vérifier si le Bouton de Commande du système d'alimentation de gaz (13) Control Knob (13) for the gas supply system is turned to the "OFF" position before starting any assembly.

ETAPE 2



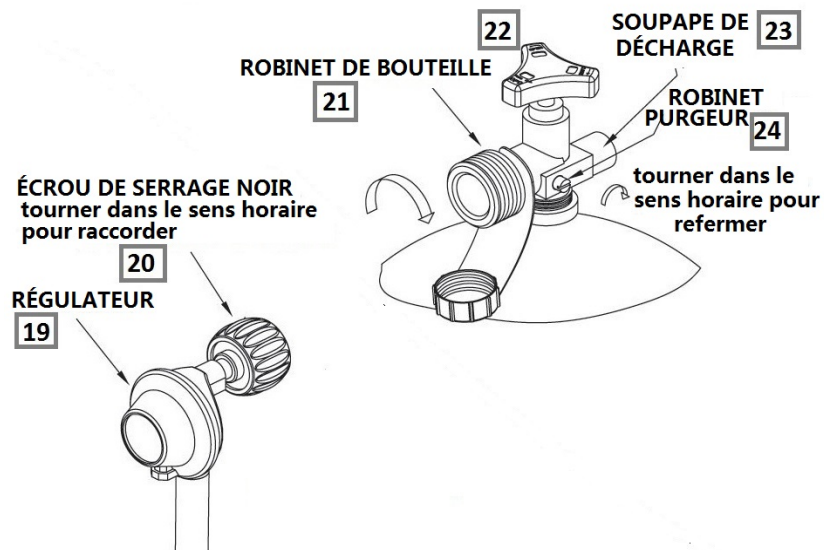
2. Mettez votre main dans l'ouverture de ventilation pour soulever et enlever la Porte (D) du Foyer.

ETAPE 3



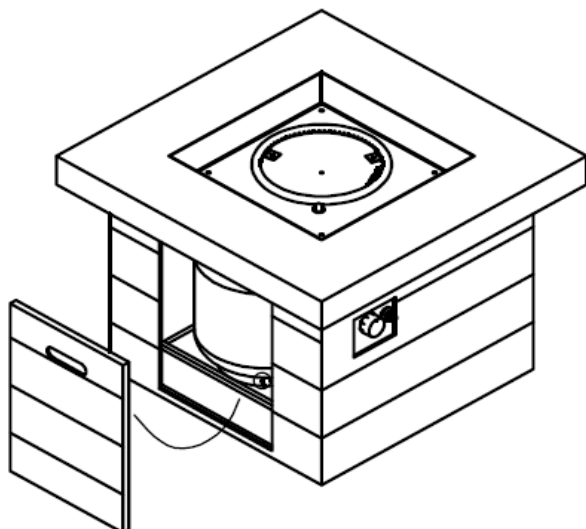
3. Placer la £ 20 Bouteille de Gaz Propane dans le Support de Métal (18).
Assurez la Bouteille de Propare est bien placée dans le Support de Métal (18).
Tourner la vis ailée préassemblé (17) dans l'écrou à sens horraire pour bien sécuriser la Bouteille de Gas Propane.

ETAPE 4



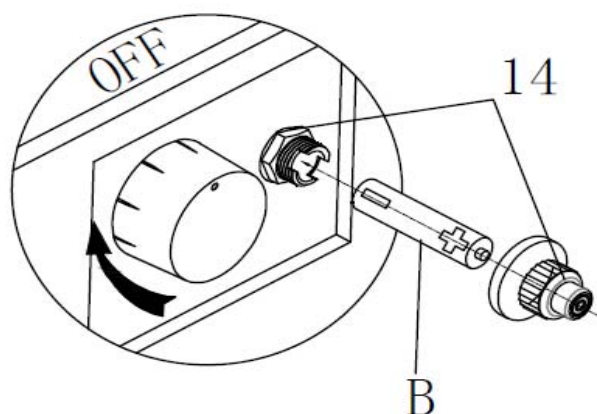
4. Tournez la Valve de Cylindre (21) sur la bouteille dans le sens horaire à la position pour éteindre l'alimentation de gaz.
Attachez le régulateur préassemblé (12/19) sur le Foyer à la valve de cylindre (21) en tournant l'écrou de serrage noir (20) dans le sens horaire.
Assurez-vous qu'il est bien fixé et serrez les raccords à la main seulement.

ETAPE 5



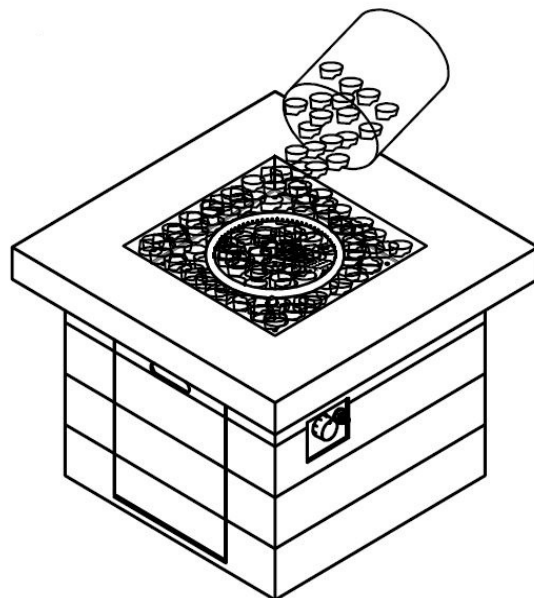
5. Remplacez et fermez la porte (D) dans le Cadre Principal du Foyer (C).

ETAPE 6



6. Retirer le Capuchon de l'Allumeur électronique (14) sur l'Allumeur en le dévissant et glisser la Pile (B) dans le compartiment à pile (14).
Assurez-vous que le côté positif de la pile (B) est orienté vers l'extérieur.
Vissez bien le capuchon de l'allumeur électronique (14) sur la pile.

STEP 7



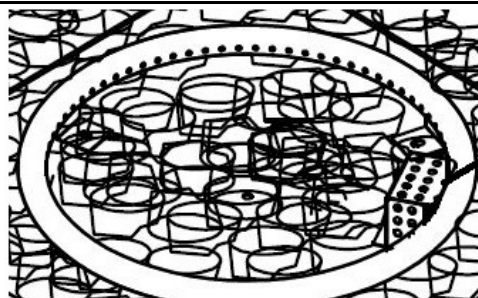
Selon votre préférence, vous pouvez verser les pierres de lave à travers l'anneau de Bruleur. La Garde **NE DOIT PAS ÊTRE BLOQUÉ**. Consultez la guide ci-dessous.

Note: Ne mettez plus de 1/4 po d'épaisseur de pierres de lave sur le trou de Bruleur. Faisant cela va faire éteindre la flamme.

Note: Ne placez pas plus de 5KG de pierre de lave sur les orifices du bruleur. Faire cela étouffera la flamme

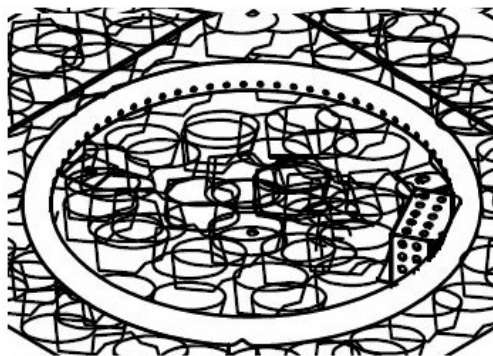


AVERTISSEMENT

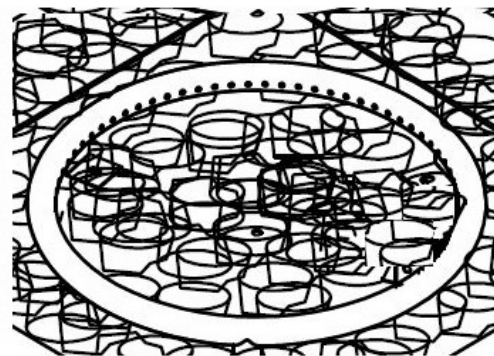


Garde

NE PAS PLACER LES PIERRES DE LAVE SUR LA GARDE. GARDER LA PROPRE



VRAI



FAUX

Pour assurer un bon fonctionnement, la Garde (1) sur le Bruleur (08) ne doit jamais avoir de pierre de lave (A) au dessus.

Avant de faire un essai d'étanchéité, assurez-vous de:

1.) NE PAS presser l'amorceur.
2.) être dans un grand espace extérieur.

Raccordez la bouteille de gaz propane au régulateur (12/19) et tournez la valve (22) de l'unité à la position 'OFF'

Brossez une solution d'eau savonneuse sur tous les raccords.

Ouvrez l'alimentation en gaz; si des bulles se produisent sur un raccord quelconque, il y a possiblement une fuite. Si

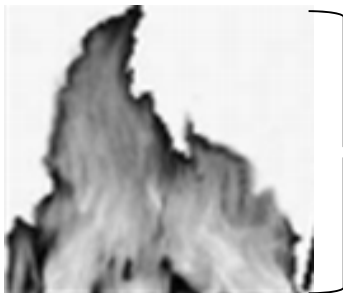
vous sentez l'odeur de gaz ou découvrez une fuite, fermez la valve de gaz, détachez la bouteille de gaz propane et n'utilisez pas l'appareil jusqu'à ce que la fuite soit réparée.

Le Foyer a une porte. Enlevez la porte et laissez-la sur le sol. Inspectez le Tuyau d'alimentation avant d'utiliser du Foyer.

Si des signes d'usure ou d'abrasion se présentent, il faut remplacer le tuyau (12). Et le Tuyau doit être fourni directement par le fabricant.

Les pierres ponces/pierres de lave pourraient sauter et frapper quelqu'un au visage lors de la procédure d'allumage de cette unité;

Tenez-vous écarté de l'unité pendant les 20 premières minutes suivant l'allumage.



2 po to 10 po

Observer la couleur et l'hauteur de la flamme après avoir été éclairé:

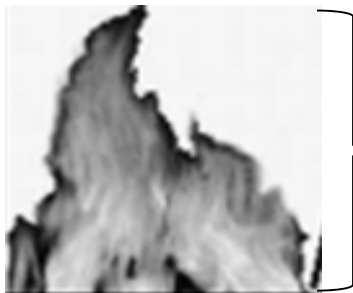
1.) La flamme doit être jaune/bleue.
2.) L'hauteur de la flamme doit être entre 5 à 25 cm (2 à 10 pouces).

Attendez 10 minutes après avoir éteint la flamme avant de placer un couvercle (le cas échéant) ou une housse protectrice sur le foyer.

Avant chaque utilisation, inspectez le Tuyau d'alimentation. Remplacer le tuyau (12) s'il y a des signes d'usure ou d'abrasion se présentent.

Avant d'allumer le Foyer, veuillez suivre les étapes suivantes :

1. Assurez-vous que le bouton de commande (13) est sur la position 'OFF' (arrêt).
2. Ouvrir la porte (07) et ouvrez lentement la valve (22) de la bouteille de gaz propane en tournant le bouton (13) dans le sens antihoraire.
3. Fermer la Porte (07) sur le Cadre Principal (06) du Foyer.
4. Enfoncez et retenez l'allumeur électronique (14) pour créer des étincelles dans l'électrode, continuez d'appuyer.
5. Enfoncez le bouton de commande (13) et tournez-le sur la position "low".
Maintenez appuyé le bouton de commande (13) pendant 15 secondes pour permettre l'écoulement de gaz.
6. Si l'allumage ne se produit pas dans quelques secondes, dégagez le bouton de commande (N) tournez-le à la position 'OFF'. Attendez 5 minutes pour que le gaz s'échappe, et répétez ensuite les instructions d'allumage ci-dessus.
7. Quand le foyer est allumé, l'intensité de la flamme peut être réglée en tournant le bouton de commande (N) entre les positions 'low' et 'high'.



2 po to 10 po

Observer la couleur et l'hauteur de la flamme après avoir été éclairé:

1.) La flamme doit être jaune/bleue.
2.) L'hauteur de la flamme doit être entre 5 à 25 cm (2 à 10 pouces).

Part L.**INFORMATION SUR LA SÉCURITÉ : POUR ÉTEINDRE VOTRE FOYER**

Pour éteindre le foyer, veuillez suivre les étapes suivantes:

1. Tourner le Bouton de Commande dans le sens horaire à la position "OFF".

2. Fermer la valve (21) de la bouteille de gaz propane si vous n'avez pas l'intention de l'utiliser pendant une période prolongée.

Part M.**ENTRETIEN - FOYER AU GAZ**

- Avant d'effectuer des travaux d'entretien, assurez-vous que le bouton de commande (13) est en position "OFF" et détachez toujours la bouteille de gaz propane.
- Garder le foyer propre et dégagé de matériaux combustibles.
- Inspectez visuellement le brûleur (08) pour des obstructions, et gardez l'enceinte de la bouteille dégagée de débris.
- Utilisez une brosse souple pour éliminer les taches, la poussière et la saleté après que le brûleur et les pierres ponces/pierres de lave/Lava GlassMD seront complètement refroidis. Essuyez avec un chiffon doux.
- Les conditions sévères extérieures peuvent provoquer des taches coriaces, la décoloration et possiblement des piqûres de corrosion.
- Des dommages permanents peuvent se produire si une poudre ou un dissolvant entre en contact avec les composants peints ou en plastique de ce foyer
- Entrez l'appareil de chauffage loin des rayons directs du soleil.
- Pour l'entreposage de cette unité à l'intérieur, détachez la bouteille de gaz propane de la valve.
- Ne pas utiliser des pièces et accessoires approuvés ou fournis par le fabricant peut entraîner un état défectueux et annuler la garantie de ce foyer.
- Avant d'effectuer des travaux d'entretien, toujours:
 - 1) assurez que le Bouton de Commande (13) est en position 'OFF'.
 - 2) déconnectez la bouteille de gaz propane
- Garder le foyer propre et dégagé de matériaux combustibles.
- Inspectez visuellement le brûleur (08) pour des obstructions, et gardez l'enceinte de la bouteille dégagée de débris.
- Posez toujours le couvercle (le cas échéant) ou la housse protectrice (E) sur l'appareil de chauffage quand il n'est pas utilisé.

• Notre matériau a été scellé avec un traitement pour empêcher les taches et l'absorption de l'humidité, et pour une longévité de ce produit, il exige l'entretien approprié pour assurer l'intégrité de la surface.

• Veuillez trouver ci-dessus des recommandations pour l'entretien de votre surface de Foyer pour jouir d'années d'usage:

• Nettoyez immédiatement tout déversement pour empêcher une tache permanente ou des dommages à la surface.

Épongez les liquides déversés avec un chiffon propre et sec ou une éponge pour éviter la propagation des tâches à d'autres parties du foyer. Nettoyer immédiatement les tâches va aussi les prévenir d'être absorbé dans les surfaces s'elles sont laissées dans une période plus longue.

• Comment nettoyer la surface du Foyer :

Mélangez une solution d'eau tiède propre et de détergent à vaisselle doux, utiliser une chiffon ou éponge propre et molle.

Ensuite commencer à enlever toute saleté, déversements ou légères taches.

Rincer la solution de détergent avec un chiffon humide.

Secher la surface complètement avec un chiffon sec pour éviter les traces/points d'eau.

Le nettoyage régulier de la surface du foyer donnera au produit une durée de vie plus longue.

• N'utilisez pas des produits de nettoyage abrasifs ou à base de pétrole.

N'utilisez pas des brosses dures pour le nettoyage de la surface du Foyer.

• Ne glissez pas des produits à travers la surface du Foyer pour éviter des égratignures permanentes et des dommages.

• Ne pas mettez de la nourriture sur la surface du Foyer.

Ne pas manger sur la surface du foyer.

• Il faut couvrir la surface d'Envirostone™ en tout temps quand elle n'est pas utilisée.

Couvrez votre produit d'une housse pour mobilier d'extérieur quand il n'est pas utilisé pour le protéger des intempéries.

Entreposez votre produit à l'intérieur pendant les mois d'hiver.

Éviter les températures extrêmement froides empêchera la fêlure du plateau de table.

Part O.	DÉPANNAGE	
<p>Un guide simple est présenté ci-dessous avec des questions fréquemment posées/problèmes fréquemment arrivés.</p> <p>Veillez lire avec attention et suivre-les correctement. Si vous avez une doute, appelez un Service de Technicien Qualifié ou les Pompiers.</p>		
Problème	Cause	Solution
Le foyer ne s'allume pas	La tige d'allumage (04) et le brûleur (08) sont humides	Essuyez avec un chiffon doux
	La pile de l'allumeur (B) est incorrectement insérée	Vérifiez l'orientation dans laquelle la pile est insérée
	La tige d'allumage (04) est cassée	Appelez le fabricant pour obtenir une pièce de rechange
	Un fil d'électrode (03) est desserré ou déconnecté	Connectez le fil de nouveau au compartiment d'allumage situé à l'intérieur de la table derrière le compartiment d'allumage.
	Un fil de terre court-circuite entre le valve et la tige d'allumage (04)	Appelez le fabricant pour obtenir une pièce de rechange
Le Brûleur ne s'allume pas quand on utilise une allumette	Aucun écoulement de gaz	Vérifiez si la bouteille de gaz est vide
	Le régulateur (12/19) n'est pas bien raccordé à la bouteille	Serrez le raccordement du régulateur à la bouteille de gaz
	L'écoulement de gaz est obstrué	Vérifiez tous les tuyaux pour voir s'ils sont croches ou tordus.
	Les orifices du brûleur sont bouchés	Fermez tous les raccordements d'écoulement de gaz. Insérez un trombone ouvert (ou un article semblable dans chaque orifice du brûleur pour les nettoyer.
L'appareil émet beaucoup de fumée noire	La flamme est obstruée aux orifices du brûleur	Assurez-vous que tous les orifices du brûleur sont dégagés de toute pierre de lave/pierre ponce.
	Le tuyau du régulateur (12) est pincé	Straighten Hose (12) of all bends or kinks.
Une chute soudaine du débit de gaz	Aucun écoulement de gaz	Vérifiez si la bouteille de gaz est vide.
	La soupape de sécurité contre l'écoulement excessif a été activée	<p>Tournez le bouton de commande (13) sur la position 'off'. Fermez la valve de la bouteille et détachez la bouteille de gaz propane.</p> <p>Tournez le bouton de commande (13) sur la position 'high'; attendez une minute. Tournez le bouton de commande de nouveau sur la position 'off'.</p> <p>Raccordez de nouveau la bouteille de gaz propane. Allumez le foyer tel qu'indiqué dans la section « Pour allumer » dans ce manuel</p>
La flamme s'éteint facilement	Des vents forts ou violents	Augmentez la flamme à 'high'
	Aucun écoulement de gaz	Vérifiez si la bouteille de gaz est vide
	La soupape de sécurité contre l'écoulement excessif a été activée	Voir « Une chute soudaine du débit de gaz » ci-dessus

Part P.**GARANTIE**

La garantie du fabricant sera annulée par le fabricant, et le fabricant décline toute responsabilité pour les actions suivantes du client/propriétaire :

- Modification de l'unité et (ou) de ses composants, y compris le système d'alimentation en gaz. The propriétaire devrait contacter le fournisseur local et une personne de service qualifié pour remplacer ces pièces.
- Emploi d'un composant non fabriqué ou approuvé par le fabricant.
- Utilisation et installation autrement que selon les instructions de ce guide

Veillez contacter le fabricant pour obtenir des pièces de rechange.

Part Q.**CONTACT**

Pour toute question ou préoccupation, notre personnel dûment formé est prêt à vous aider.