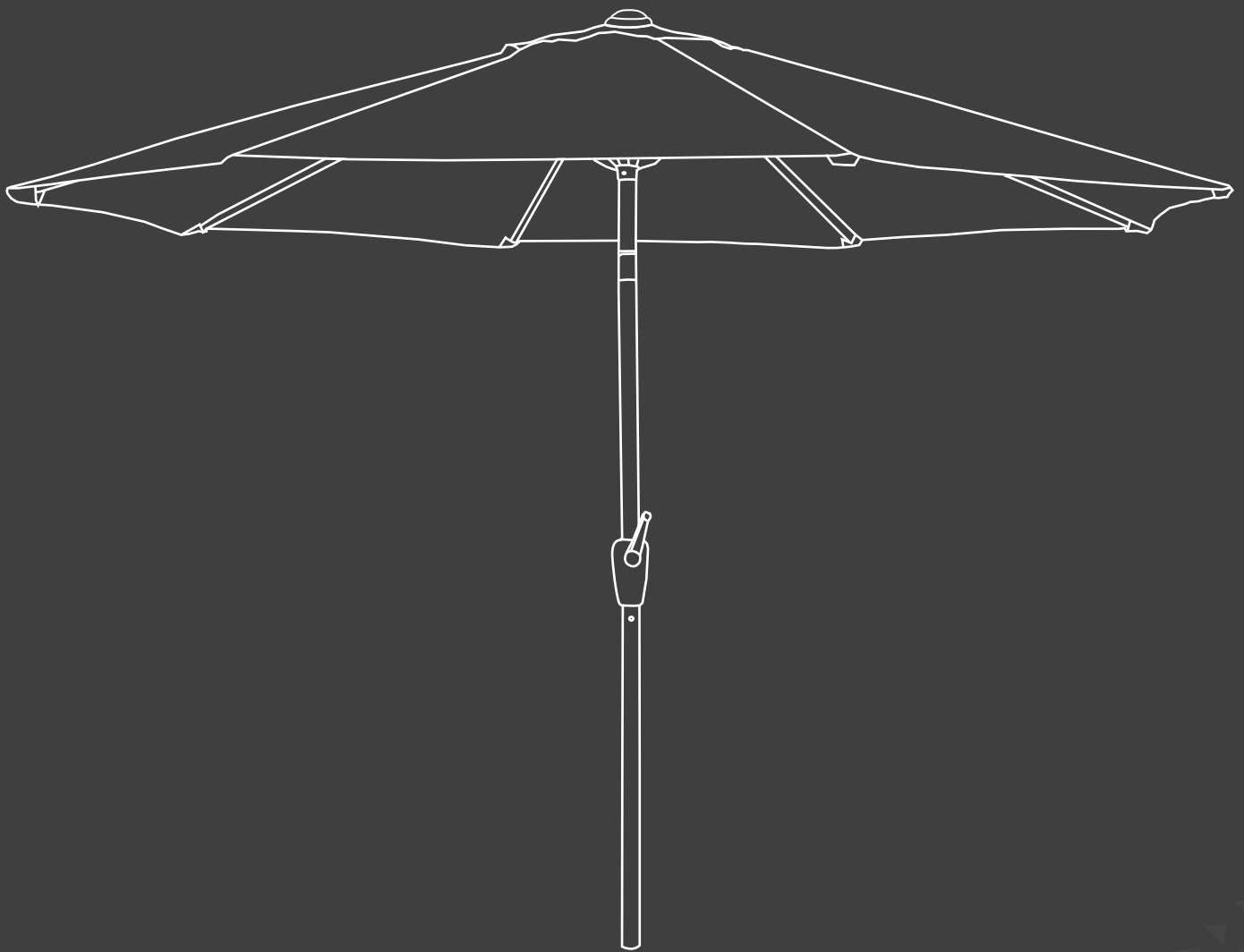


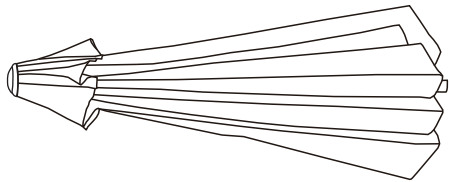
OUTDOOR UMBRELLA

Instruction Manual

UBL-P9FT

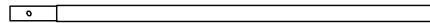


Component List



A X1

Umbrella

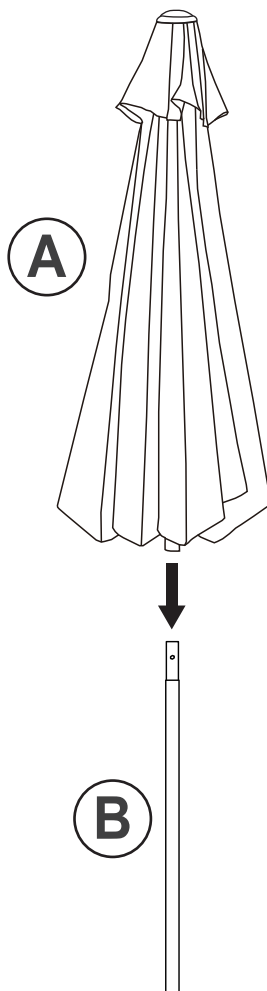


B X1

Pole

Assembly Instruction

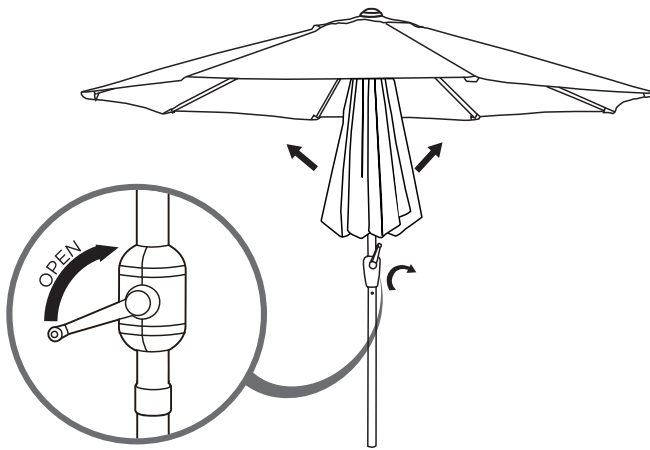
Step 1



Insert umbrella **A** firmly into lower pole **B** until it locks into place.

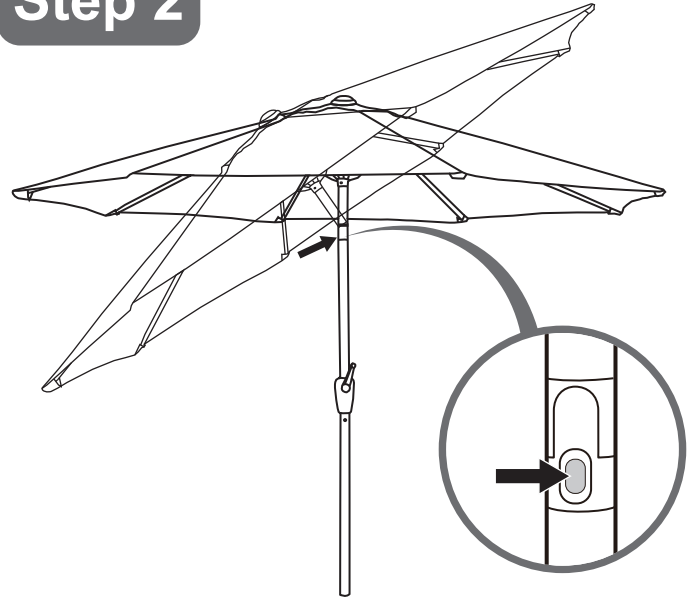
Instructions For Use

Step 1



Slowly turn the crank to open the umbrella canopy.

Step 2

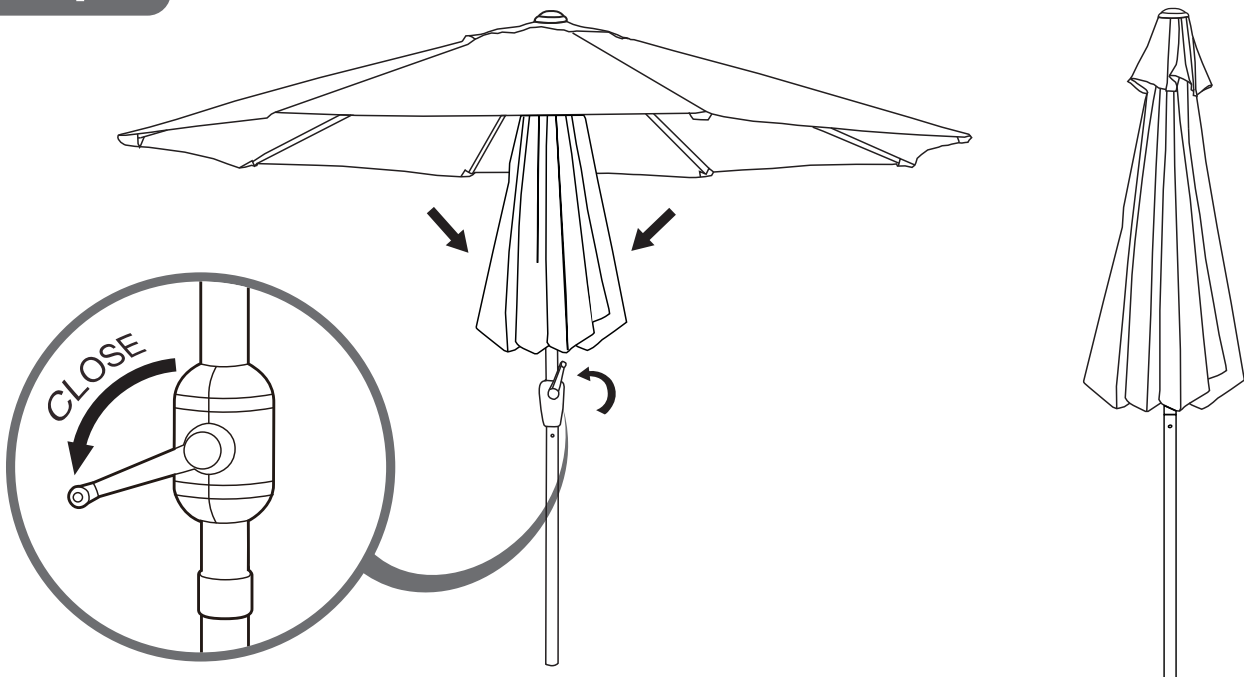


Press the button to adjust the left and right tilt direction of the umbrella surface.

⚠ NOTE:

**Do not use without the umbrella base weight.
Recommended Weight: >100 lbs.**

Step 3



Slowly rotate the crank to close the umbrella cover.

Instructions For Use

NOTE:

- (1) Umbrella base is not included. Do not use this umbrella without an umbrella base.
- (2) Do not use umbrella in inclement weather, such as heavy snow, heavy rain, thunderstorms, or strong wind.
- (3) Always remove umbrella from its stand/base when not in use.
- (4) If using the umbrella with a table, be sure to insert the umbrella into the hole in the center of the table.
- (5) Do not use this item in a way inconsistent with the manufacturer's instructions as this could void the product warranty.

