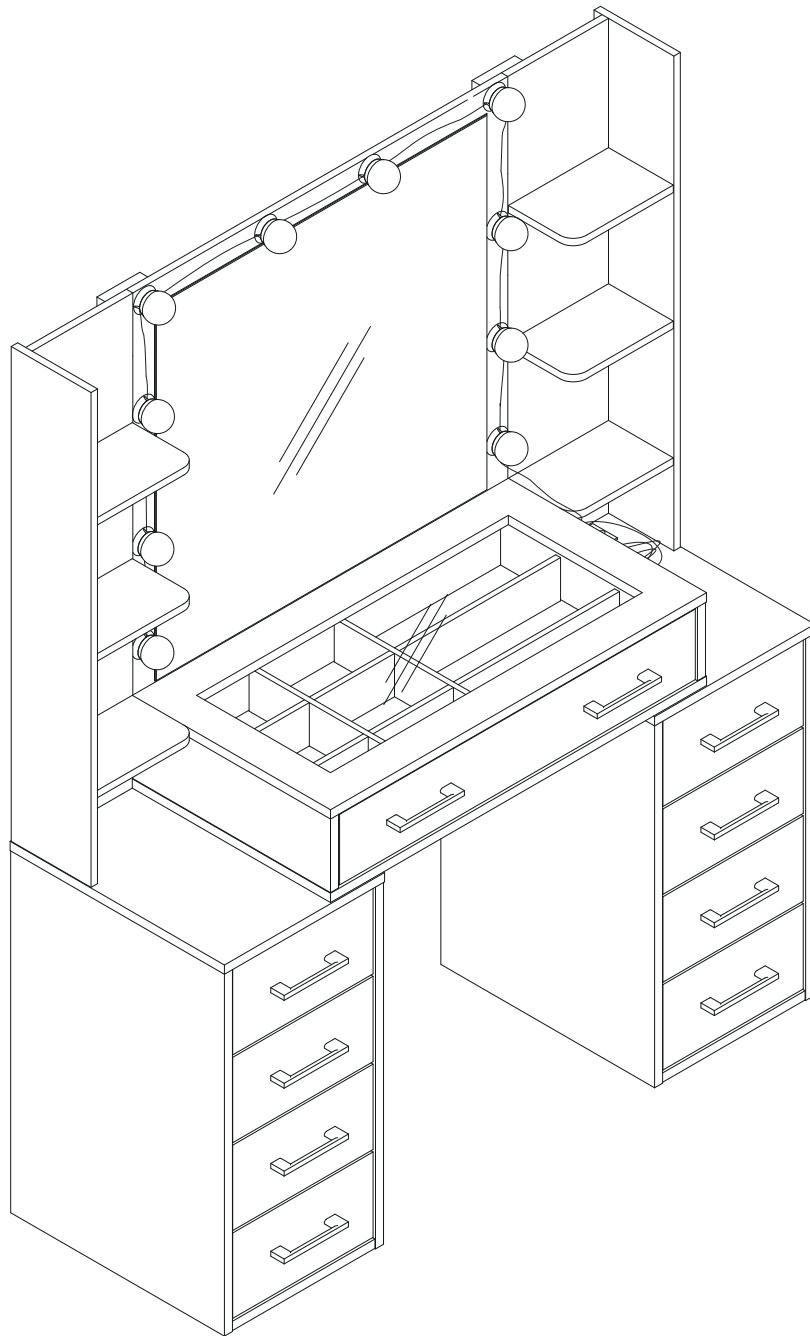


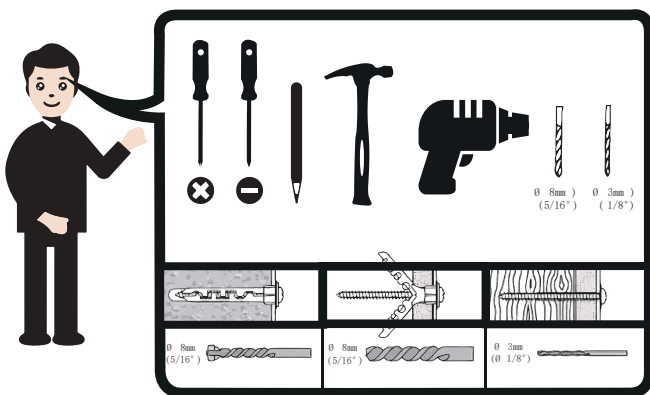
ASSEMBLY INSTRUCTION



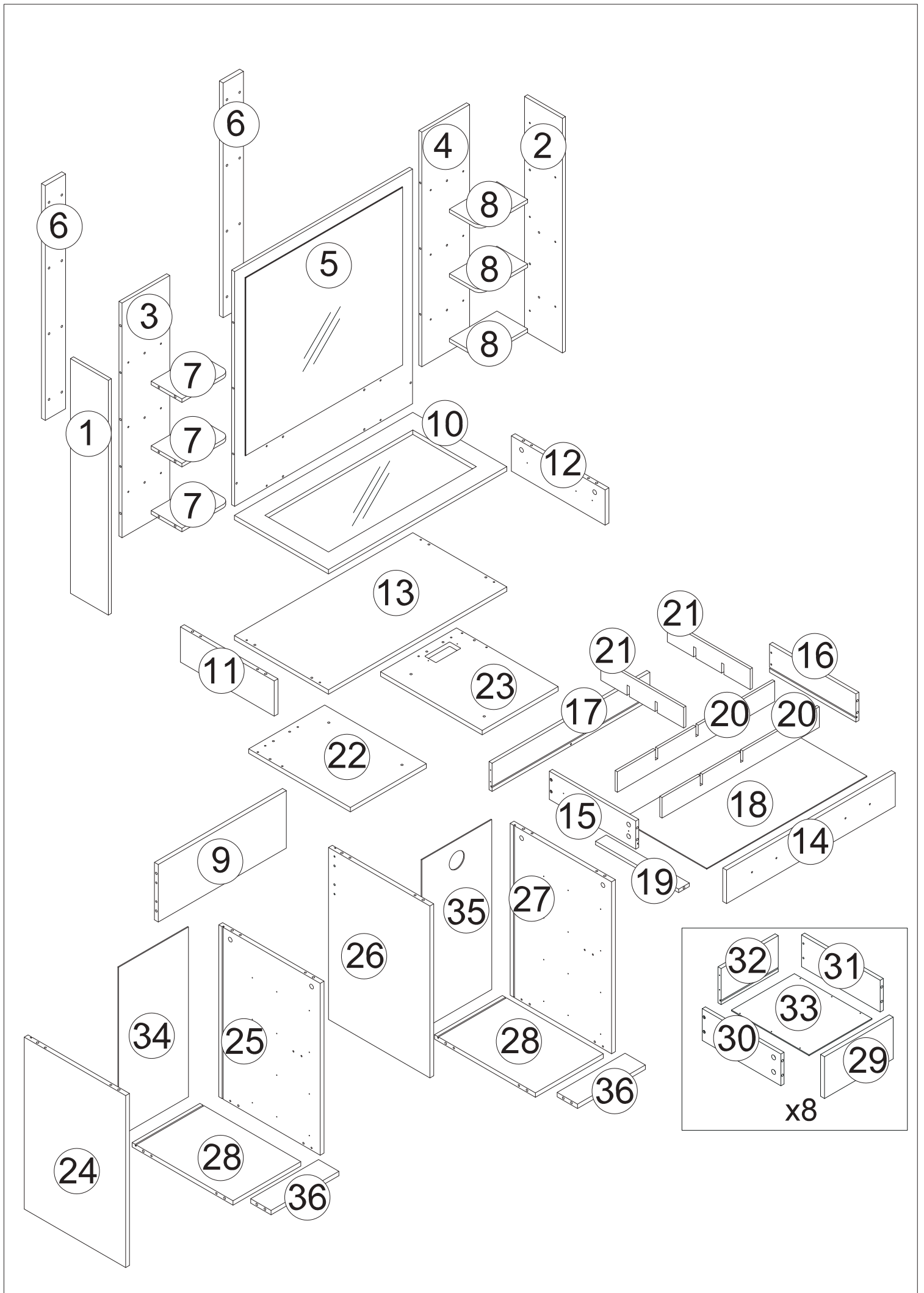
Important reminder:

- ⚠ Please sort and check all accessories before assembly.
- ⚠ Please place the product on empty cardboard box or carpet to avoid scratches on it,
- ⚠ Please use proper tools for assembly. Using an electric screwdriver can accelerate the assembly speed, but please do not overtighten the screws.
- ⚠ Please follow the assembly steps and do not skip any of them.
- ⚠ If possible, please find a partner to help you with assembly, which can accelerate assembly.
- ⚠ Keep all small parts of this product away from children. They may cause serious injury.
- ⚠ We hope you can retighten the screws 2 weeks after assembly, and check the tightening procedure of the screws every 3 months.

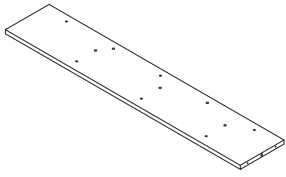
If you meet any difficulty, our friendly customer team are always ready to help you.



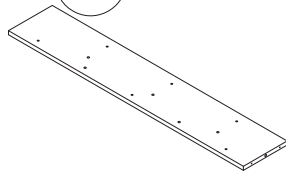
Warning:Overturning the product can cause serious crushing injuries. We have a wall connection device attached, please use it to hold the furniture following assembly instructions. Do not change the structure of this product in way. Our products have been tested and meet any all sales specific security measures. We won't be responsible for any modifications, which may cause significant security risks.



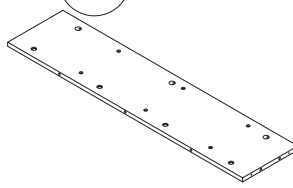
1 x1



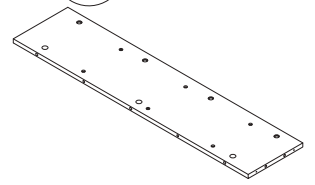
2 x1



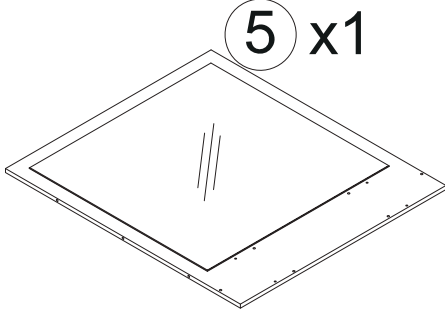
3 x1



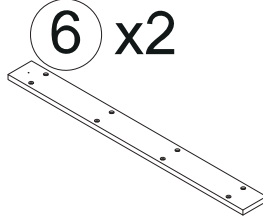
4 x1



5 x1



6 x2



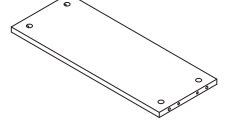
7 x3



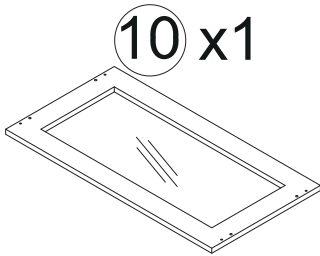
8 x3



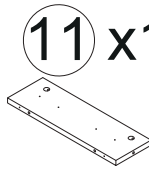
9 x1



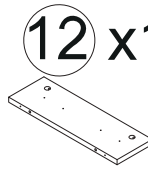
10 x1



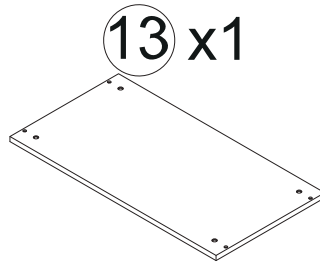
11 x1



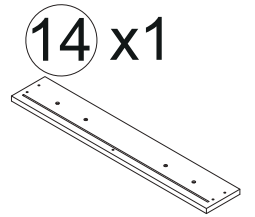
12 x1



13 x1



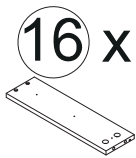
14 x1



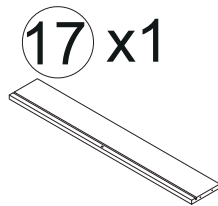
15 x1



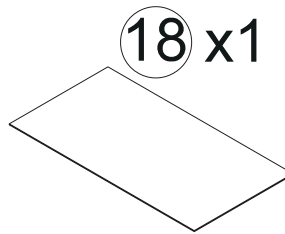
16 x1



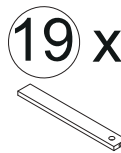
17 x1



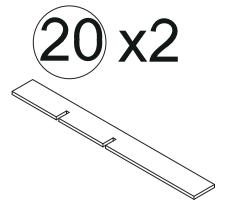
18 x1



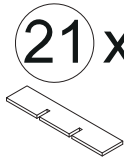
19 x1



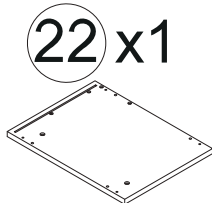
20 x2



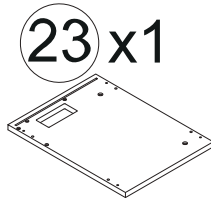
21 x2



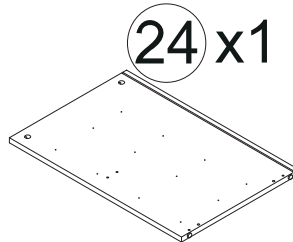
22 x1



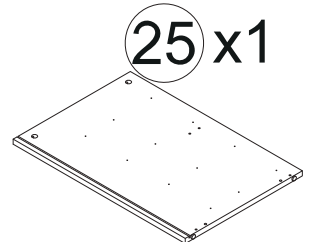
23 x1



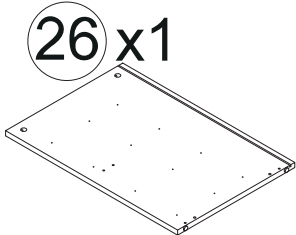
24 x1



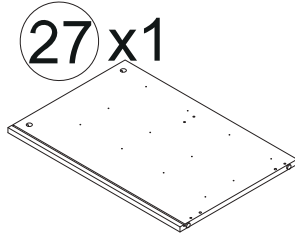
25 x1



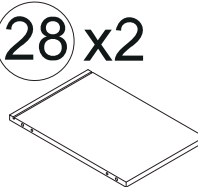
26 x1



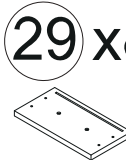
27 x1



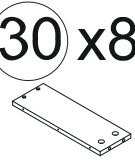
28 x2



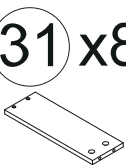
29 x8



30 x8



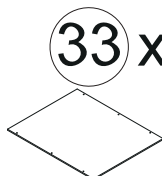
31 x8



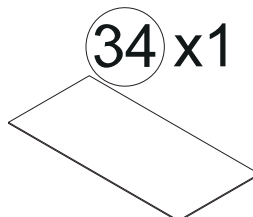
32 x8



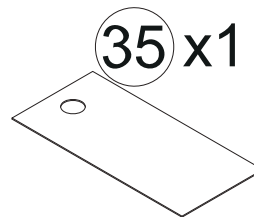
33 x8



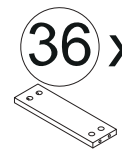
34 x1



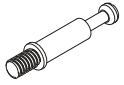
35 x1



36 x2



A



x81+2

B



x81+2

C



M6*30

x58+2

D



M4*35

x65+2

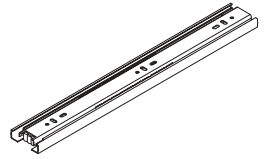
E



M3.5*12

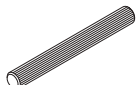
x112+2

F



x2

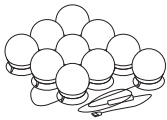
G



M6*50

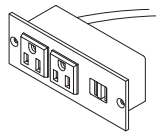
x2

H



x1

I



x1

J



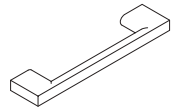
x1

K



x2

L



x10

M



M4*18

x20+1

N



x8+1

O



M3*14

x8+1

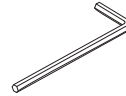
P



M6*20

x20+1

Q



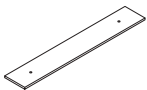
x1

R



x4

S



x2

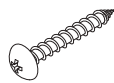
T



M4*14

x4

U



M4*35

x2

V



x81+3

CL



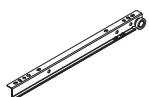
x8

CR



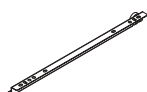
x8

DL



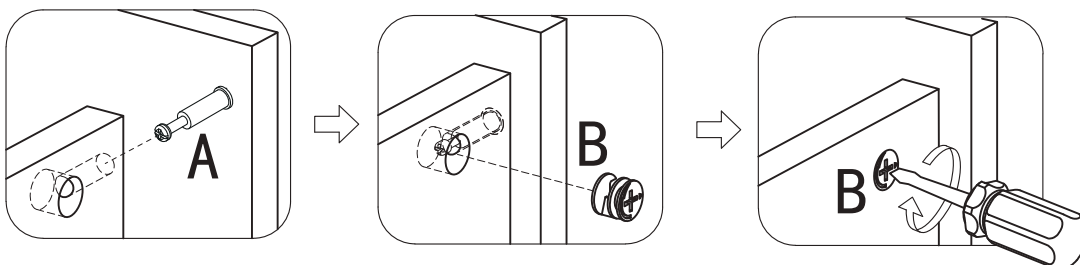
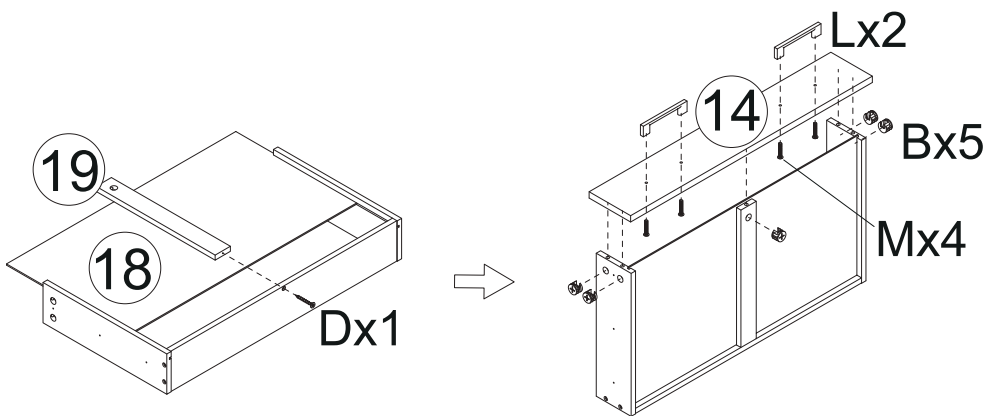
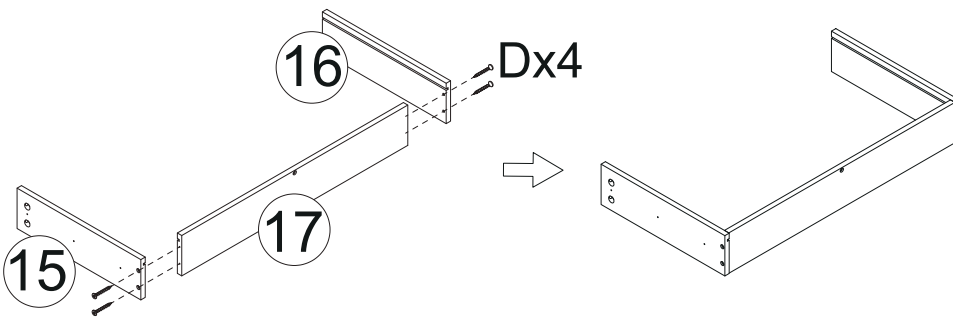
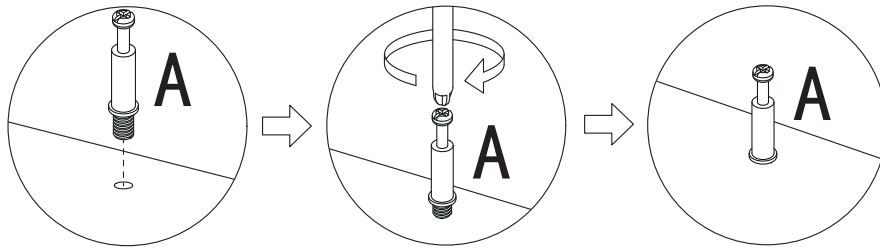
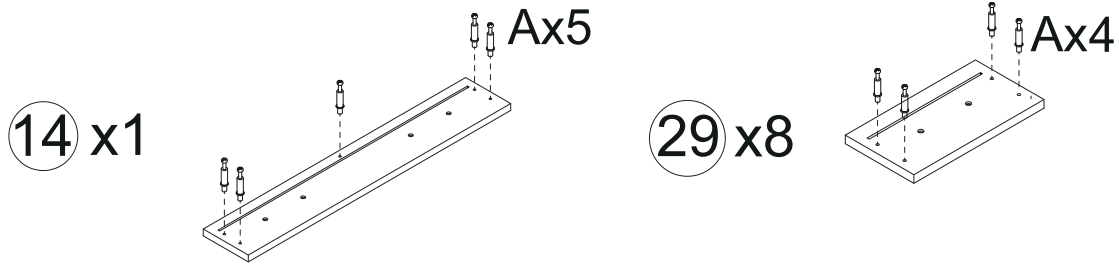
x8

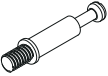


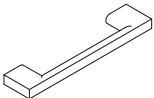


DR

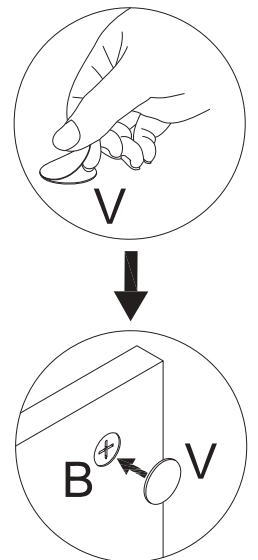


x8

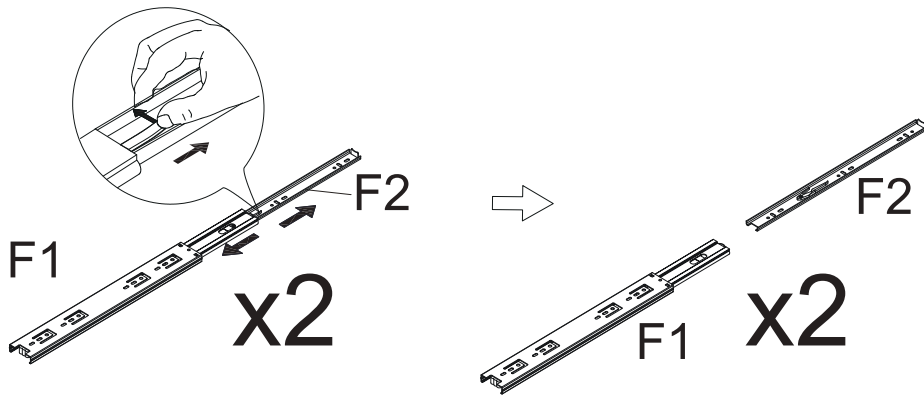
1



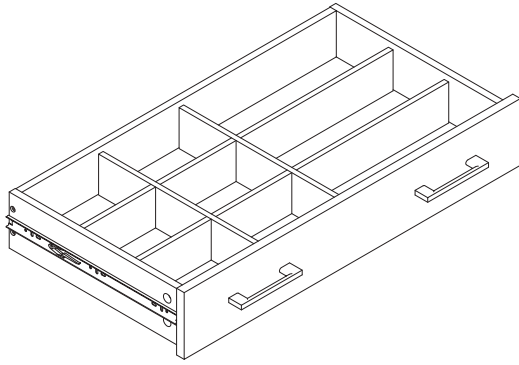
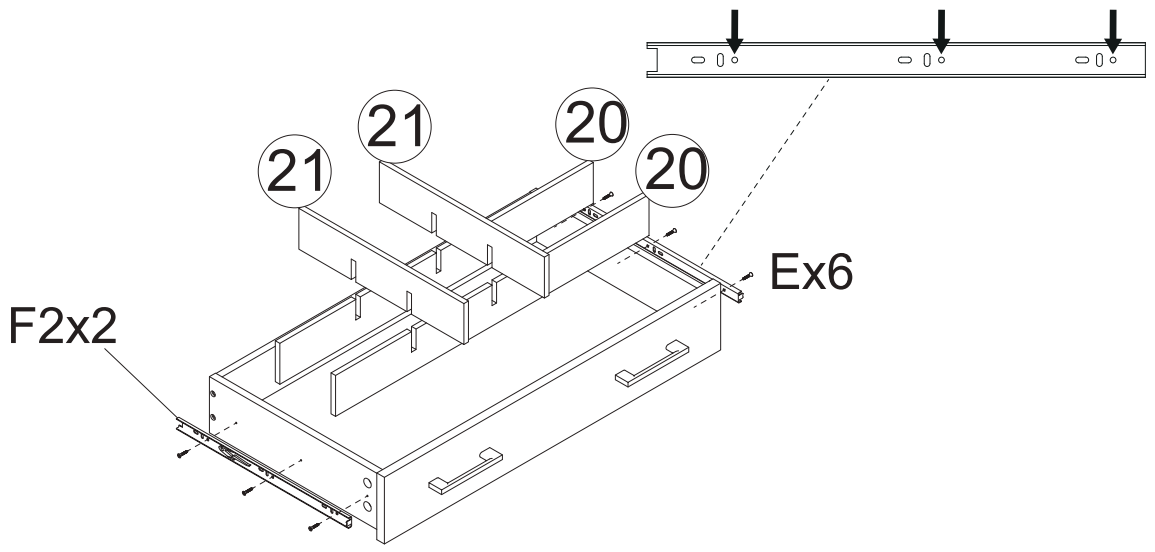
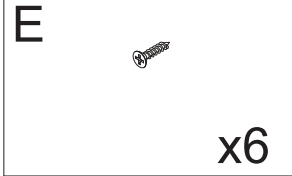
- A  x37
- B  x5
- D  x5
- L  x2
- M  x4
- V  x5



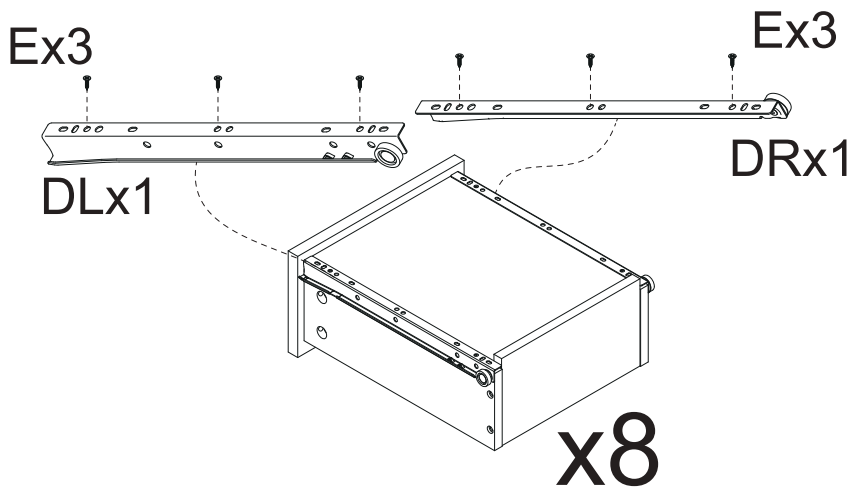
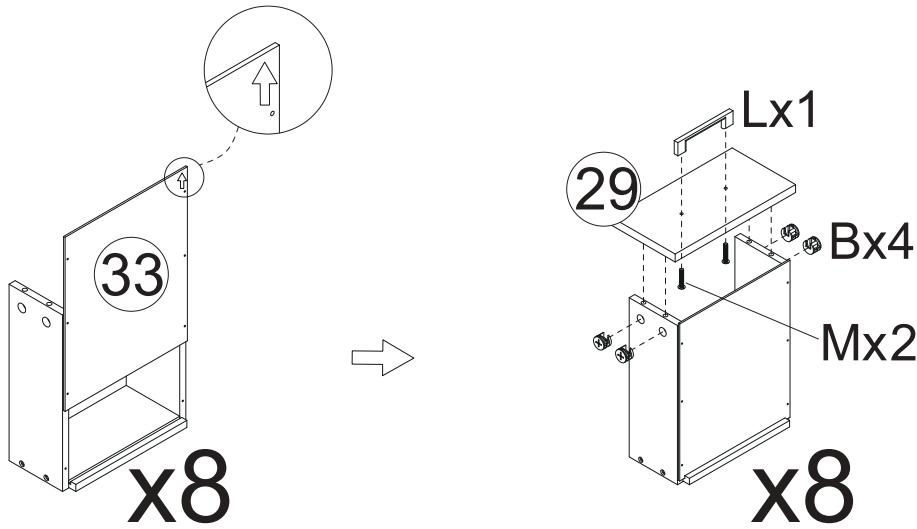
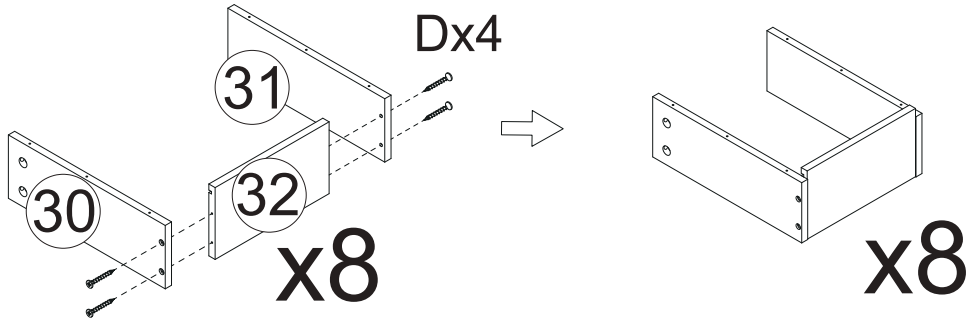
2





F=F1&F2



3

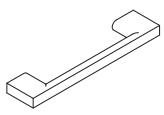



B

x32


D

x32

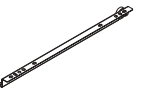
E


x48

L

x8

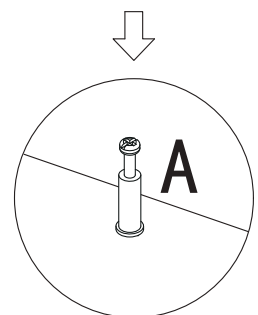
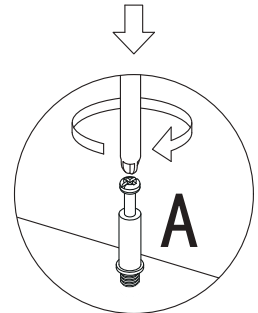
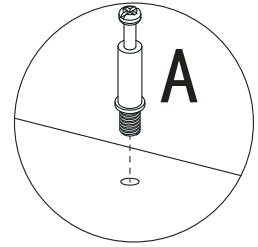
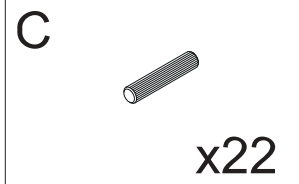
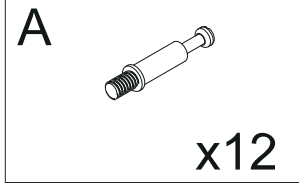
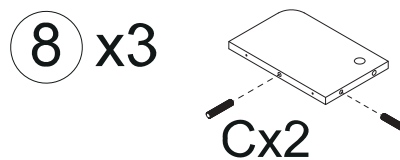
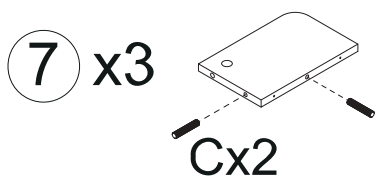
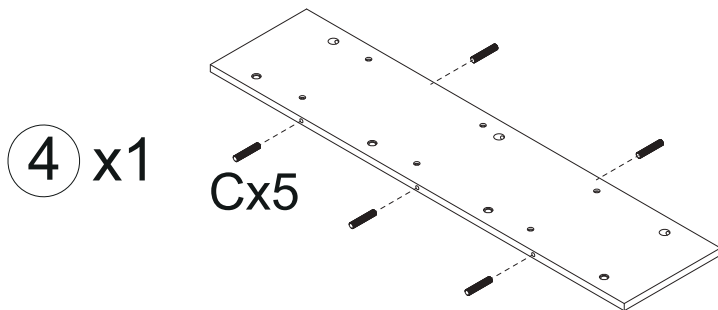
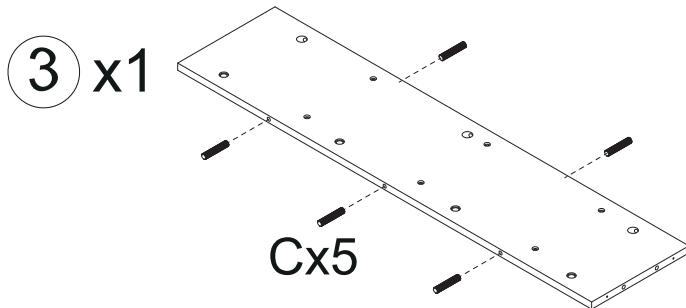
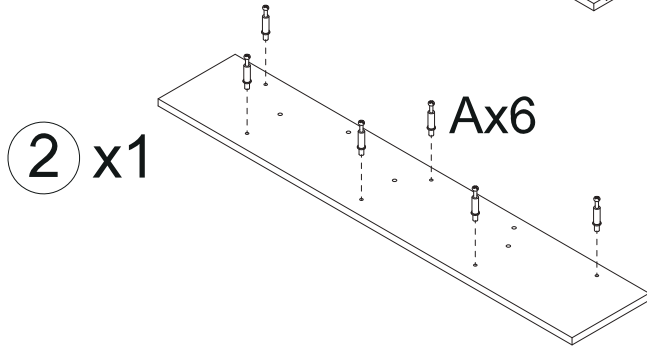
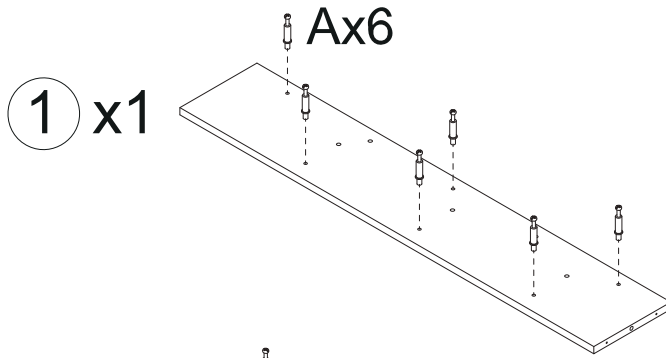
M

x16

DL

x8

DR

x8

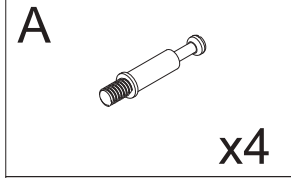
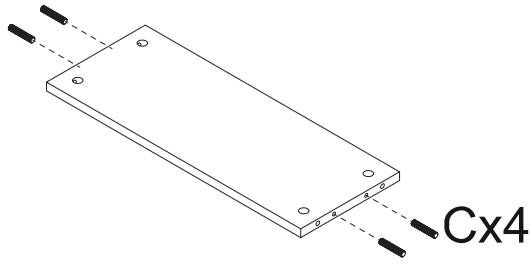
V

x32

4

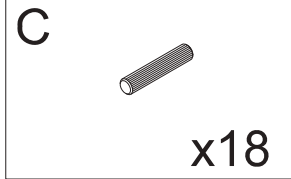
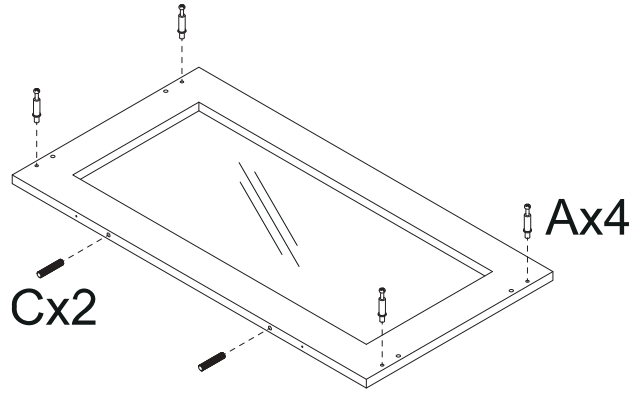


5

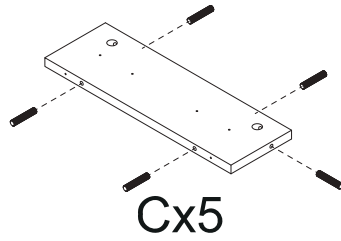
9 x1



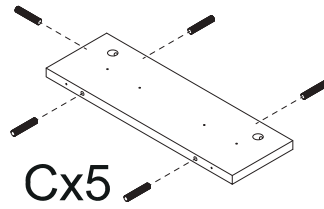
10 x1



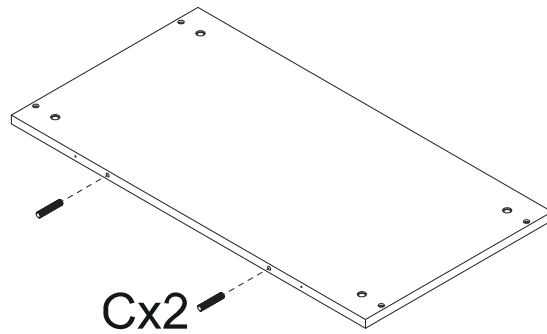
11 x1



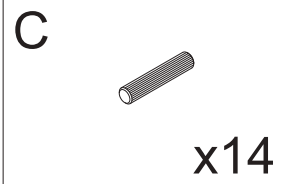
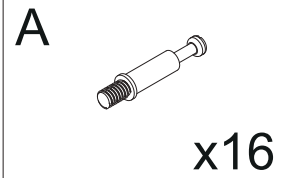
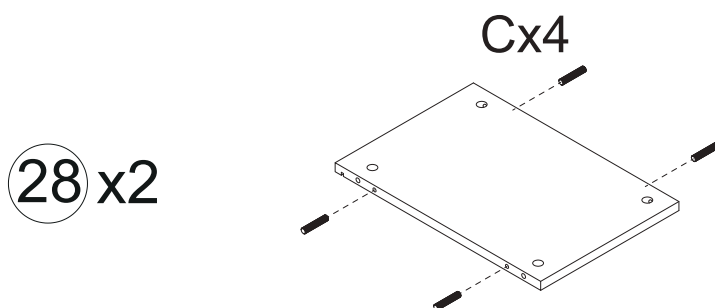
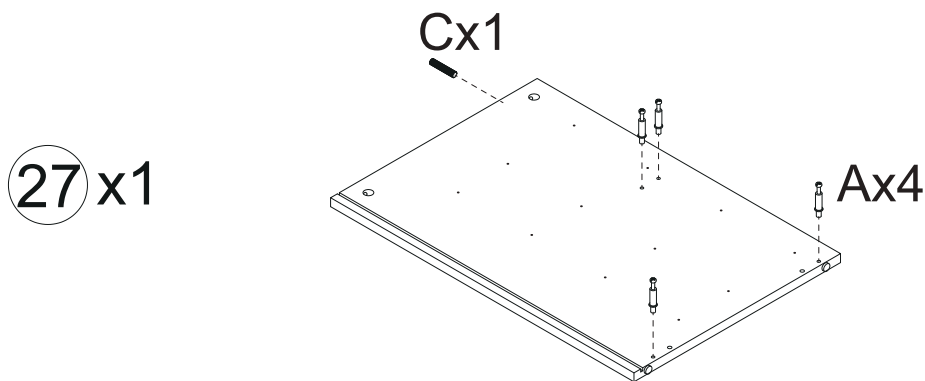
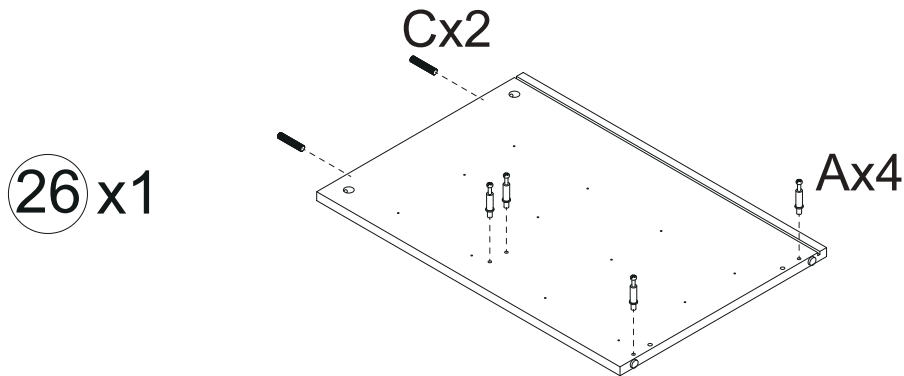
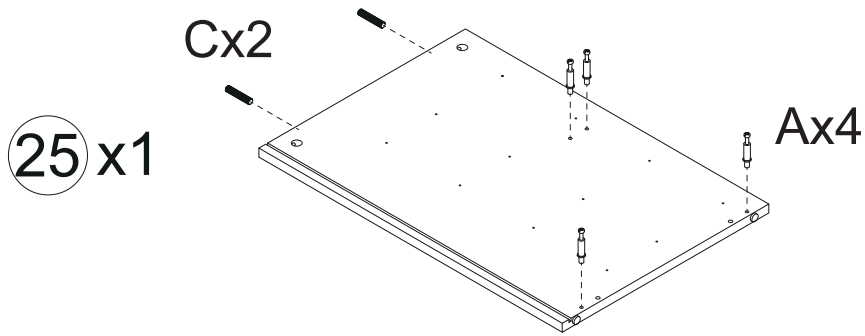
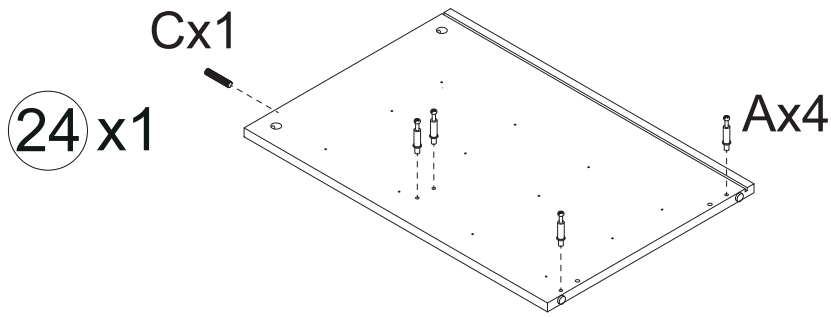
12 x1



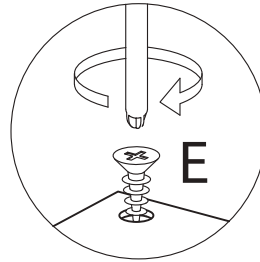
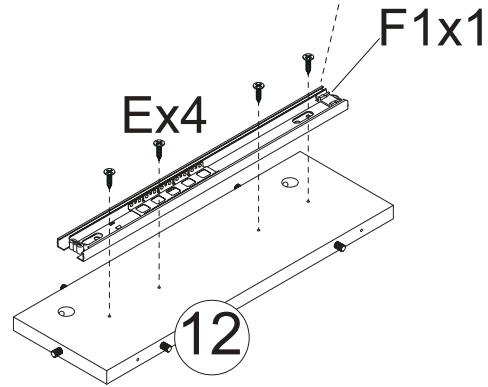
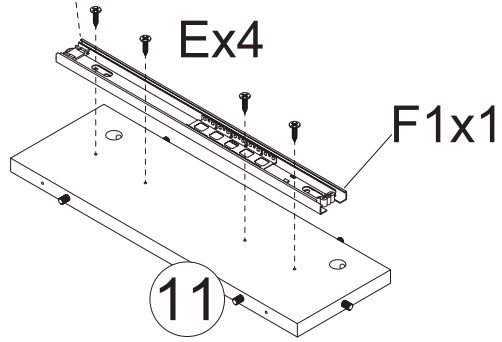
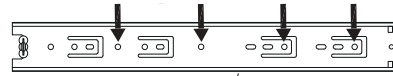
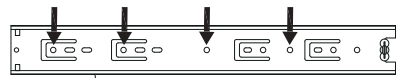
13 x1



6



7

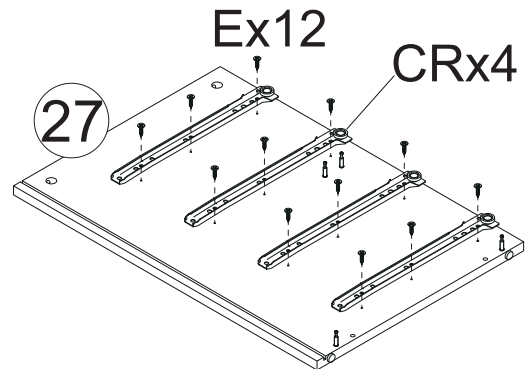
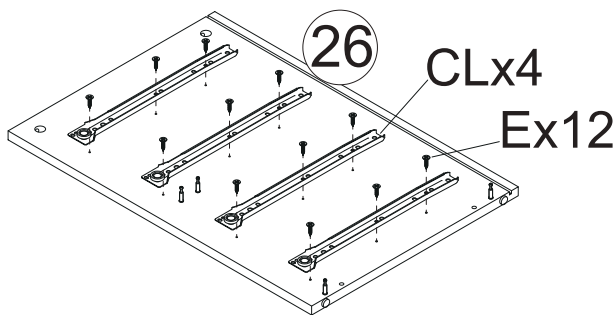
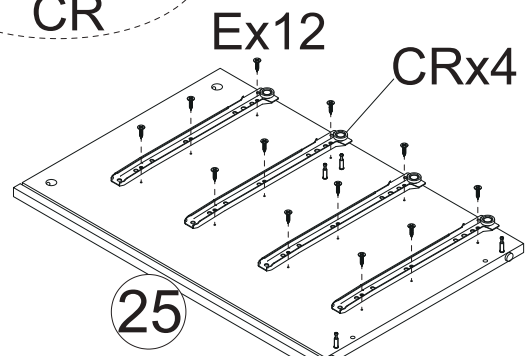
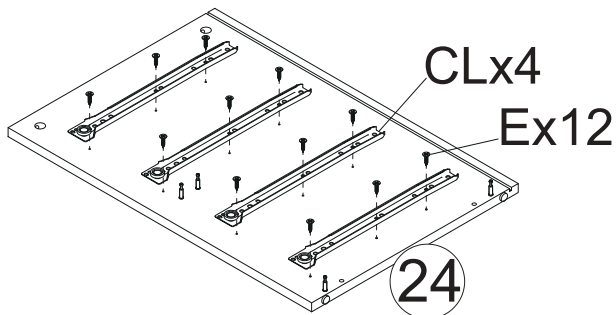
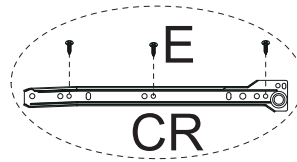
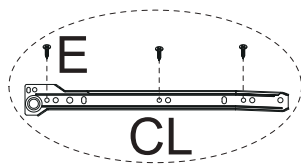


E
x56

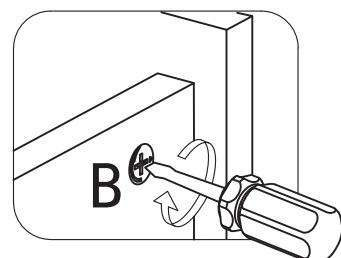
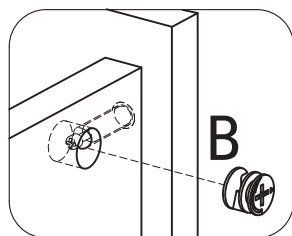
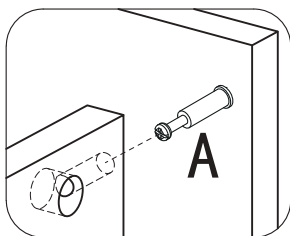
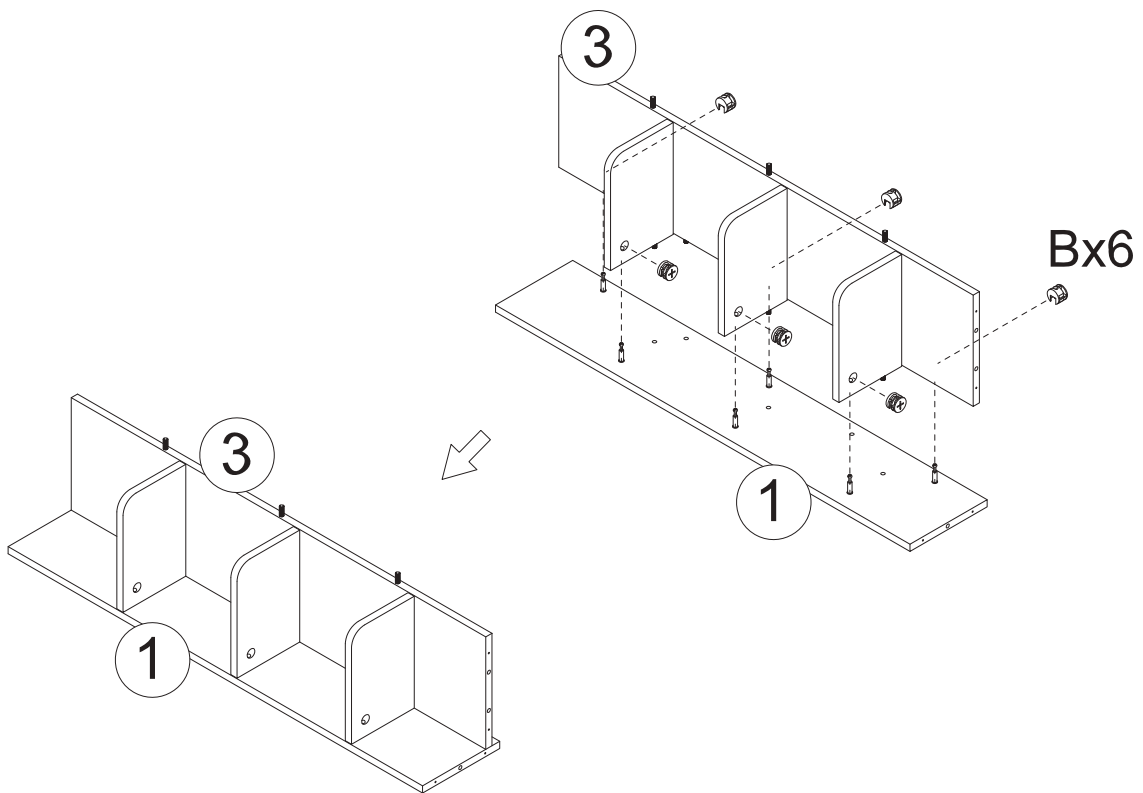
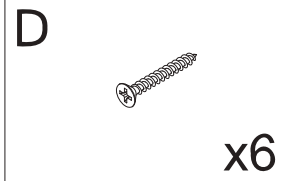
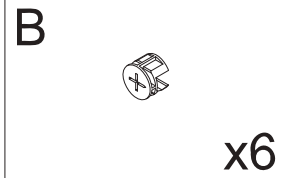
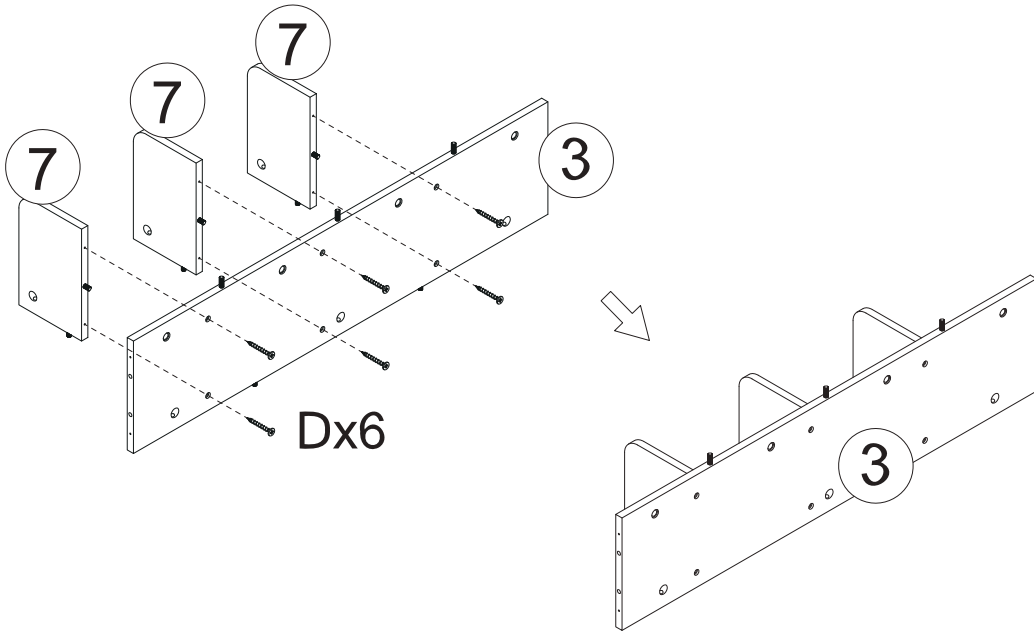
F-F1
x2

CL
x8

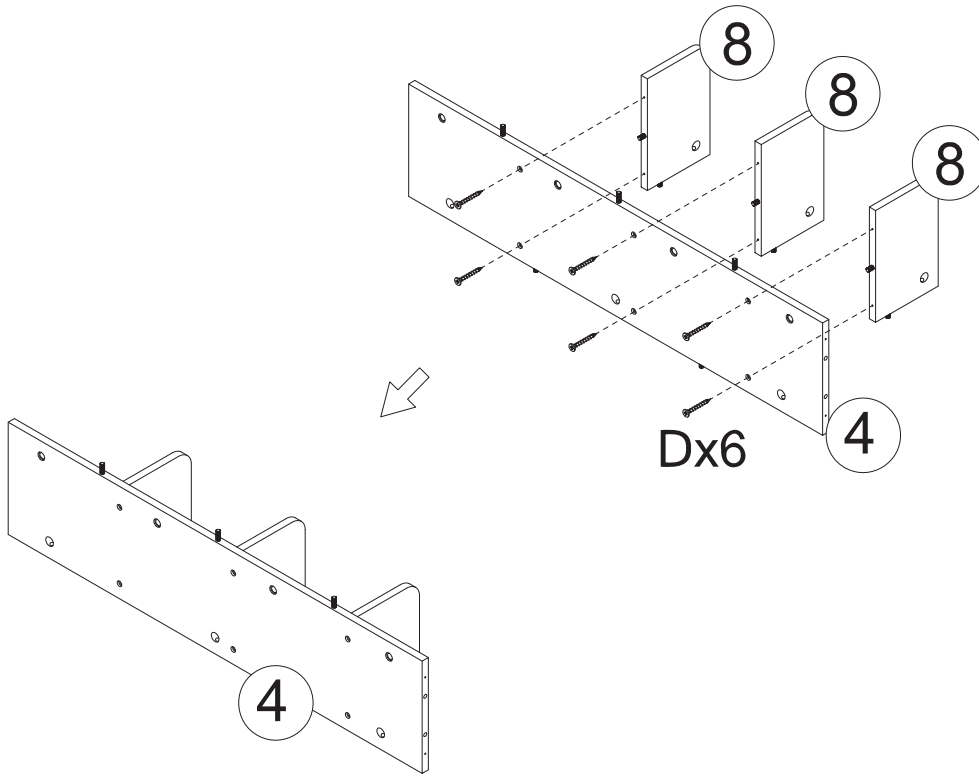
CR
x8





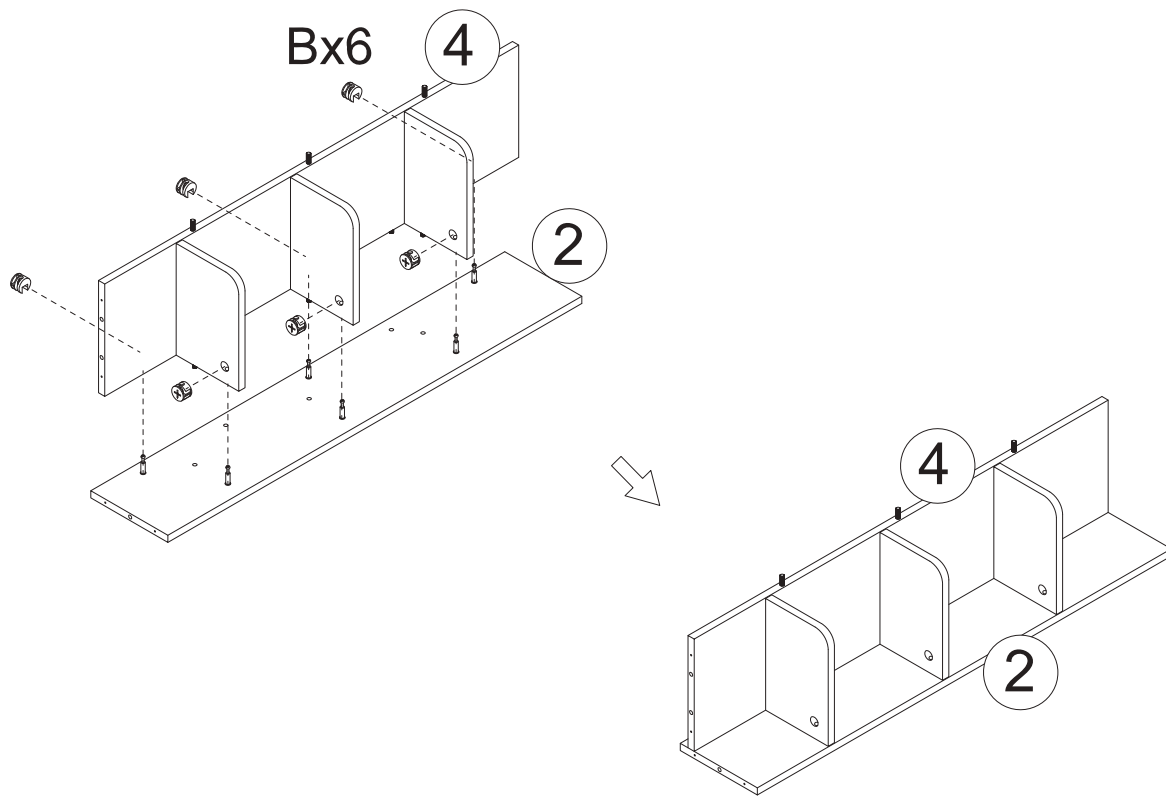
8



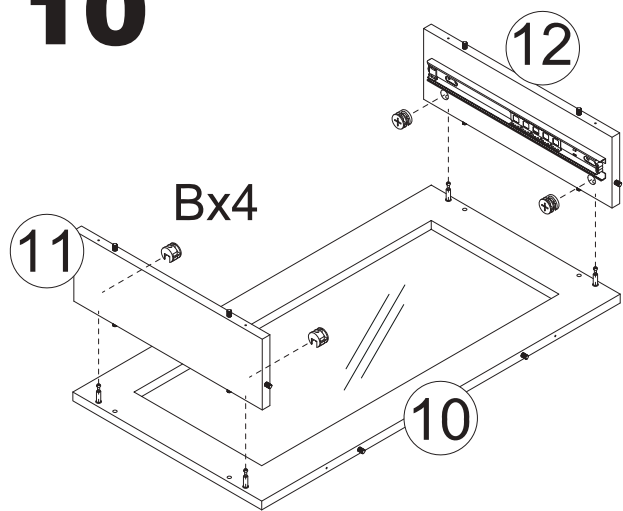
9



- B  x6
- D  x6



10



B

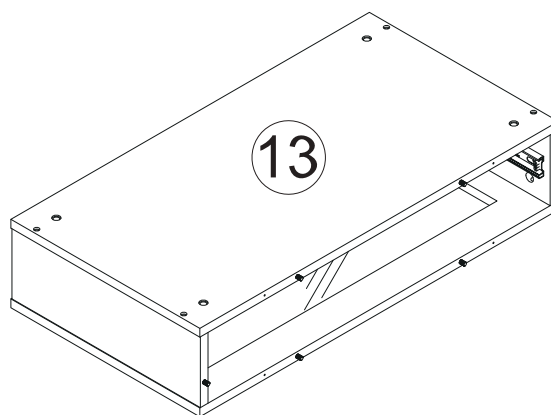
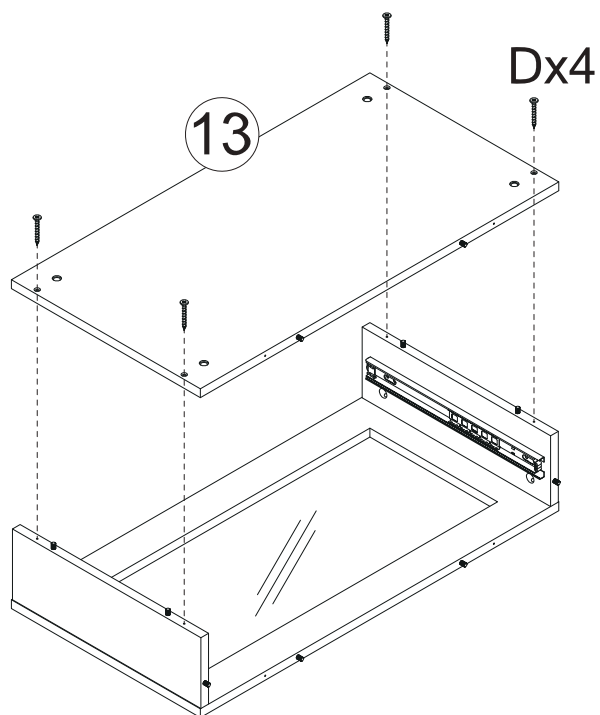


x4

D



x4

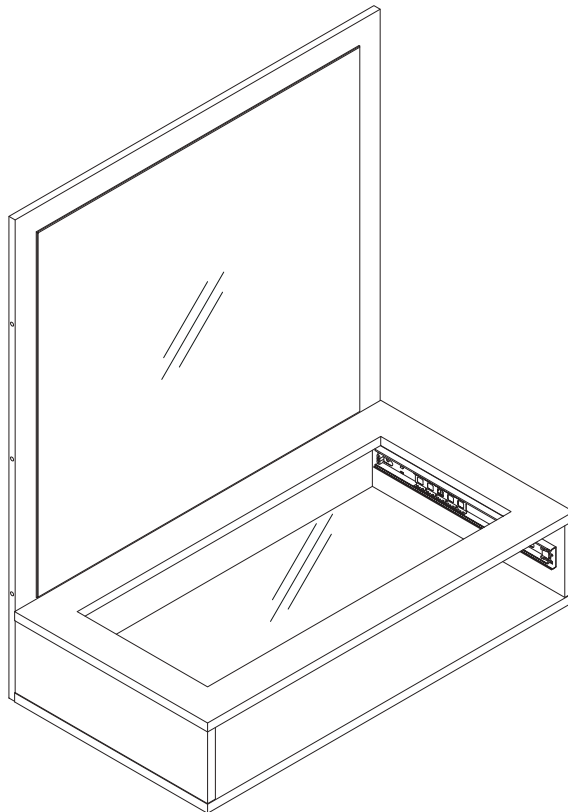
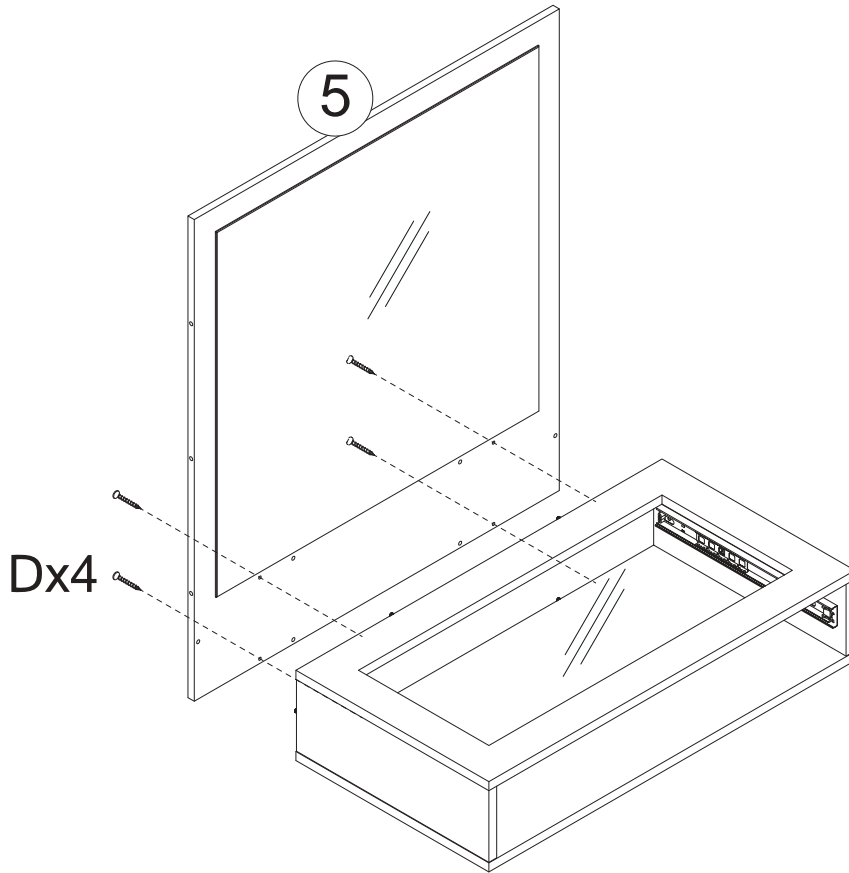


11

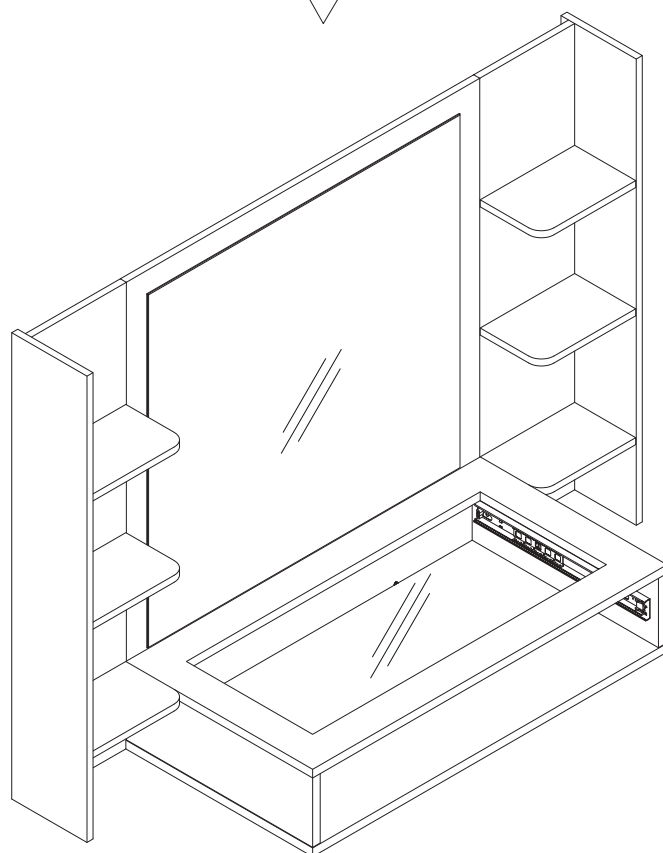
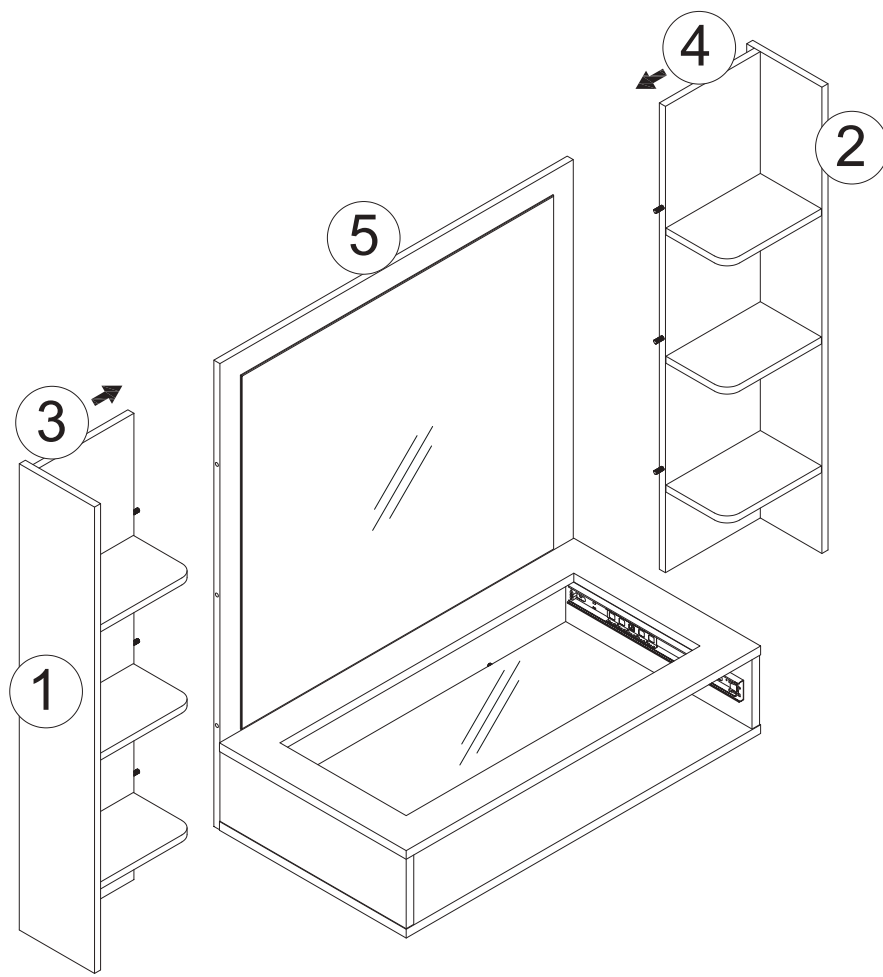
D



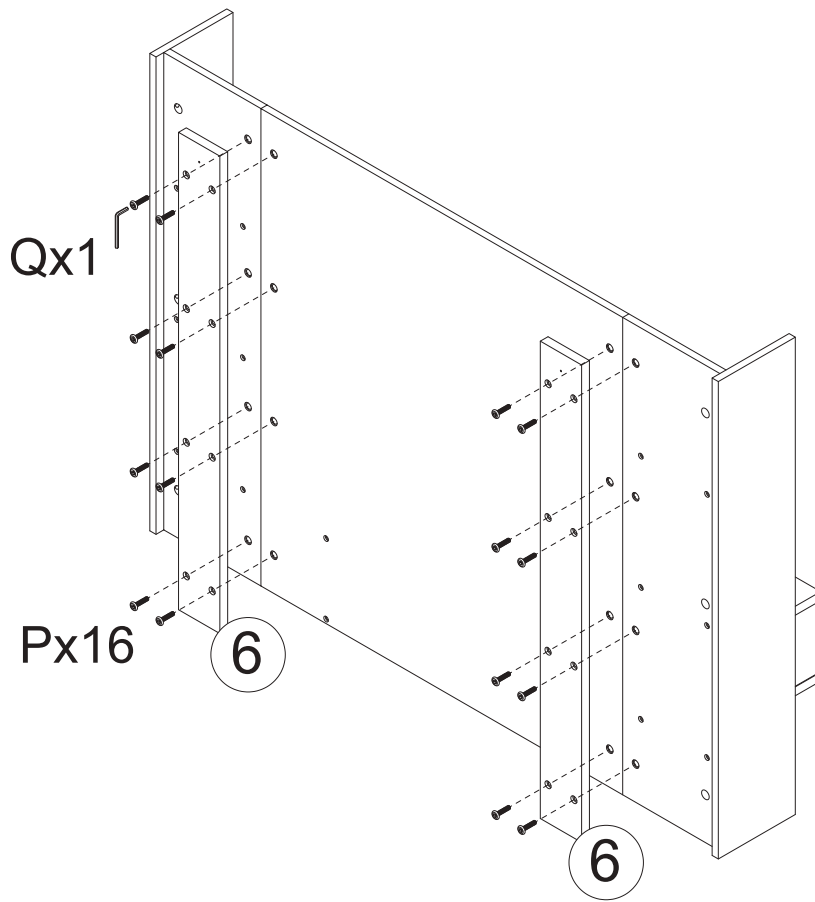
x4





12

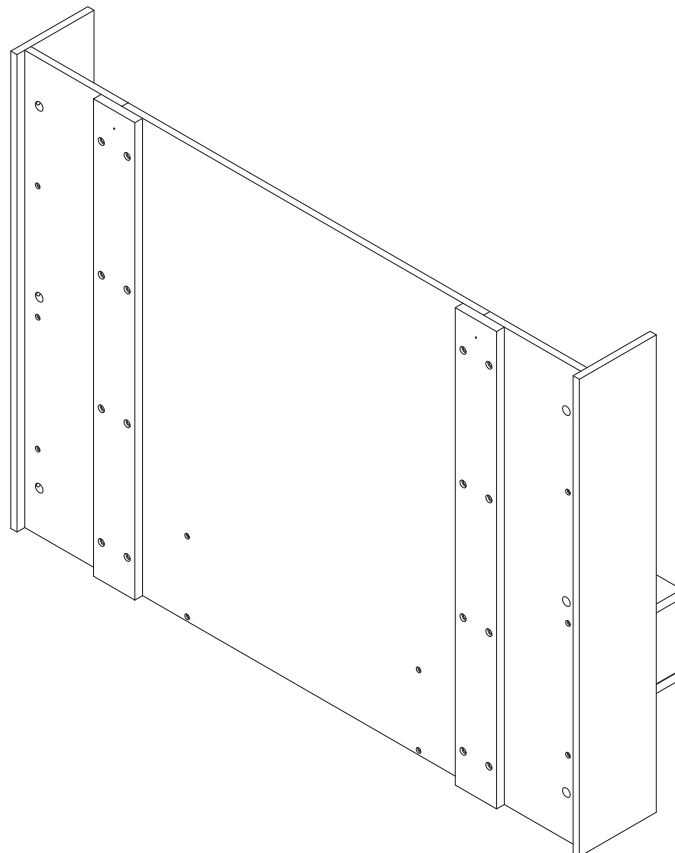


13



P

x16

Q

x1



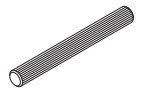
14

C

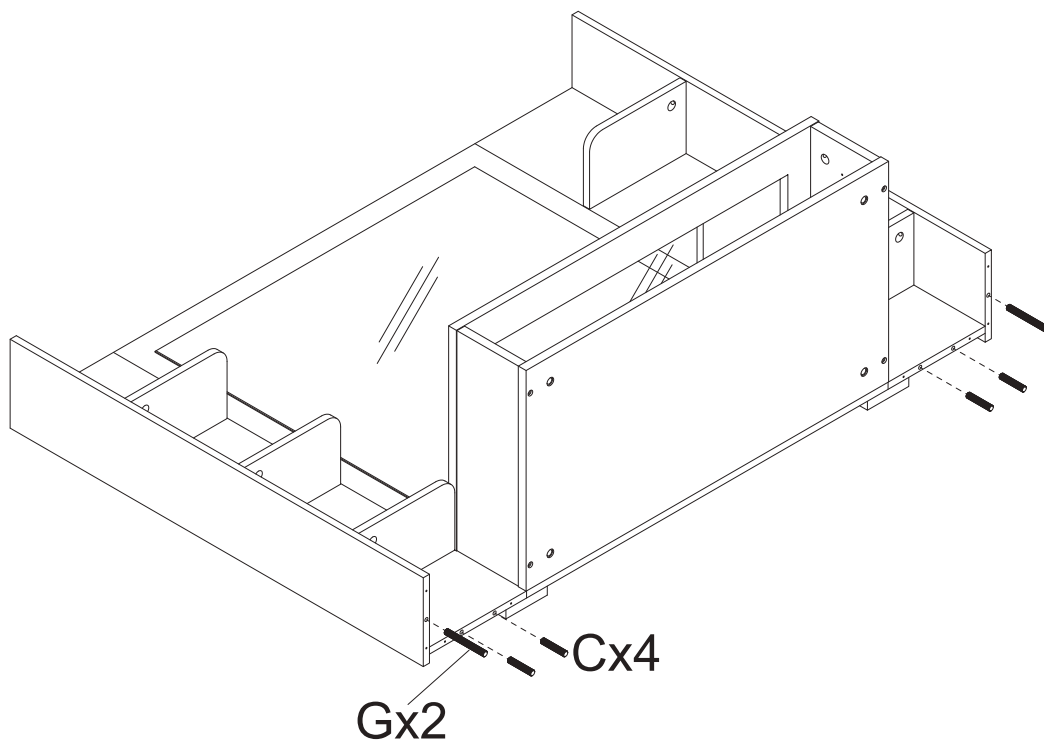


x4

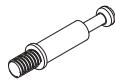


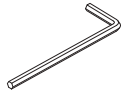
G

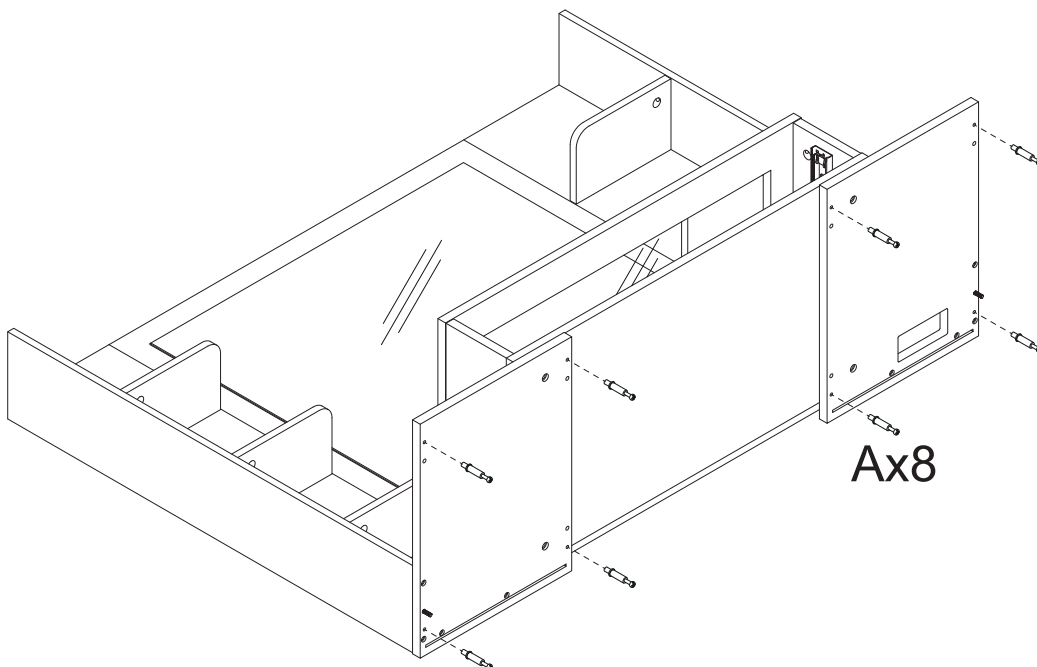
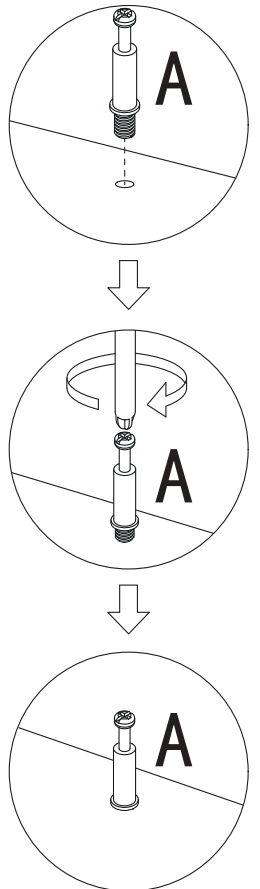
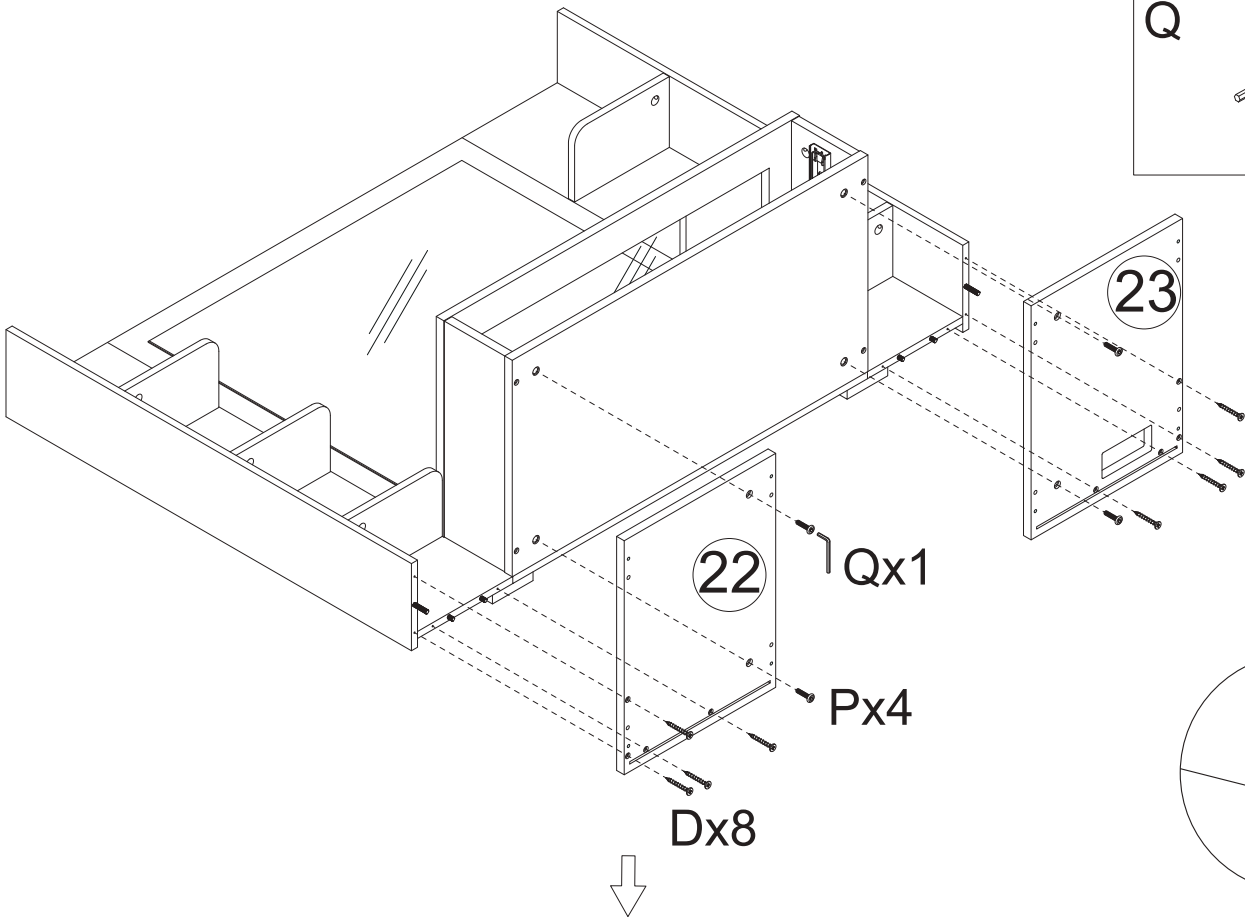


x2

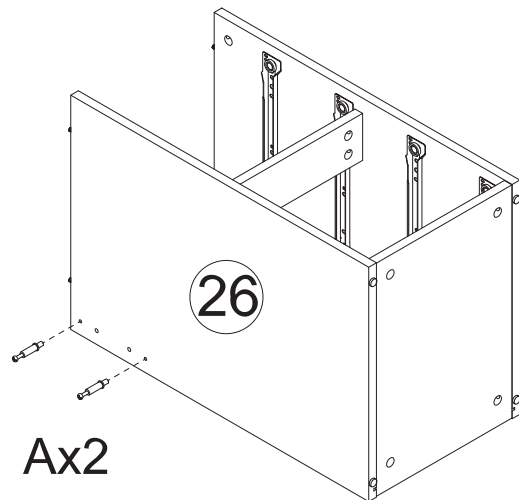
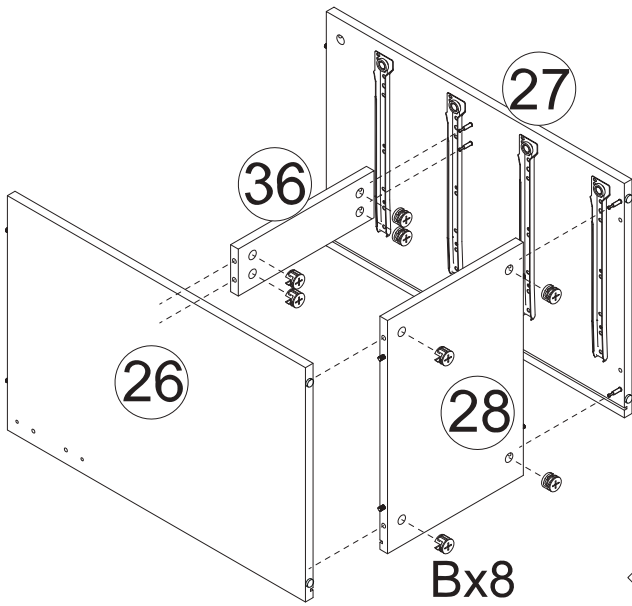
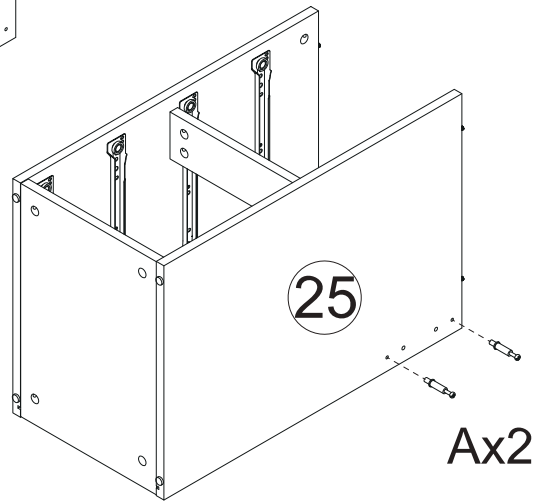
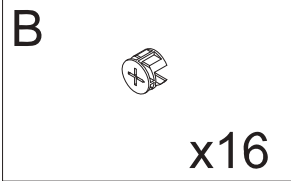
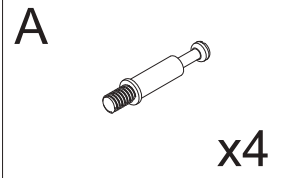
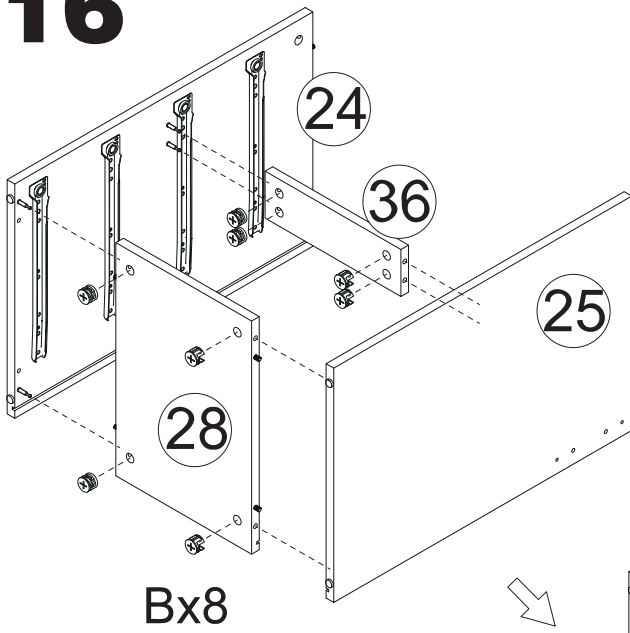


15

A  x8	D  x8
	P  x4
	Q  x1



16

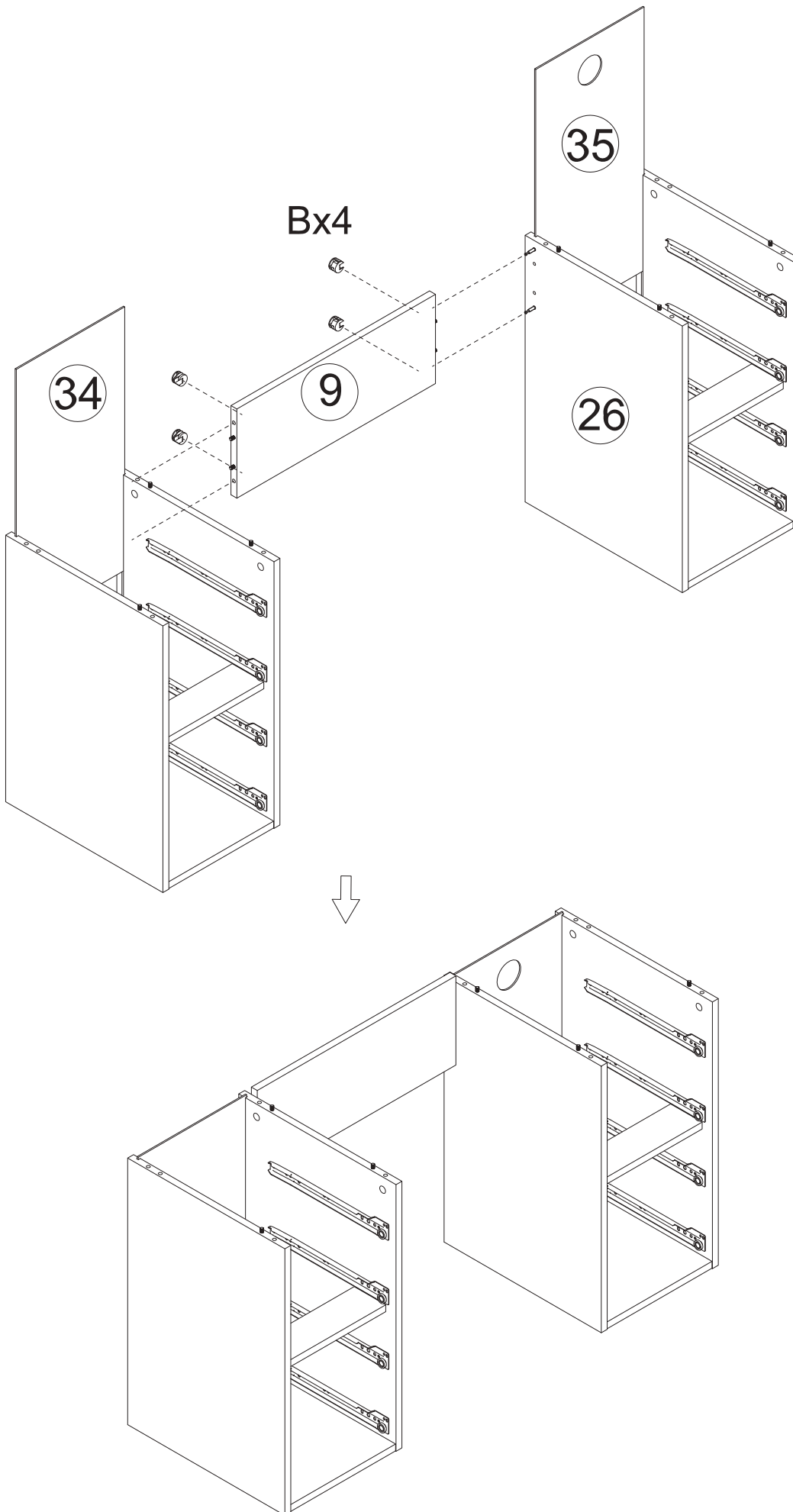


17

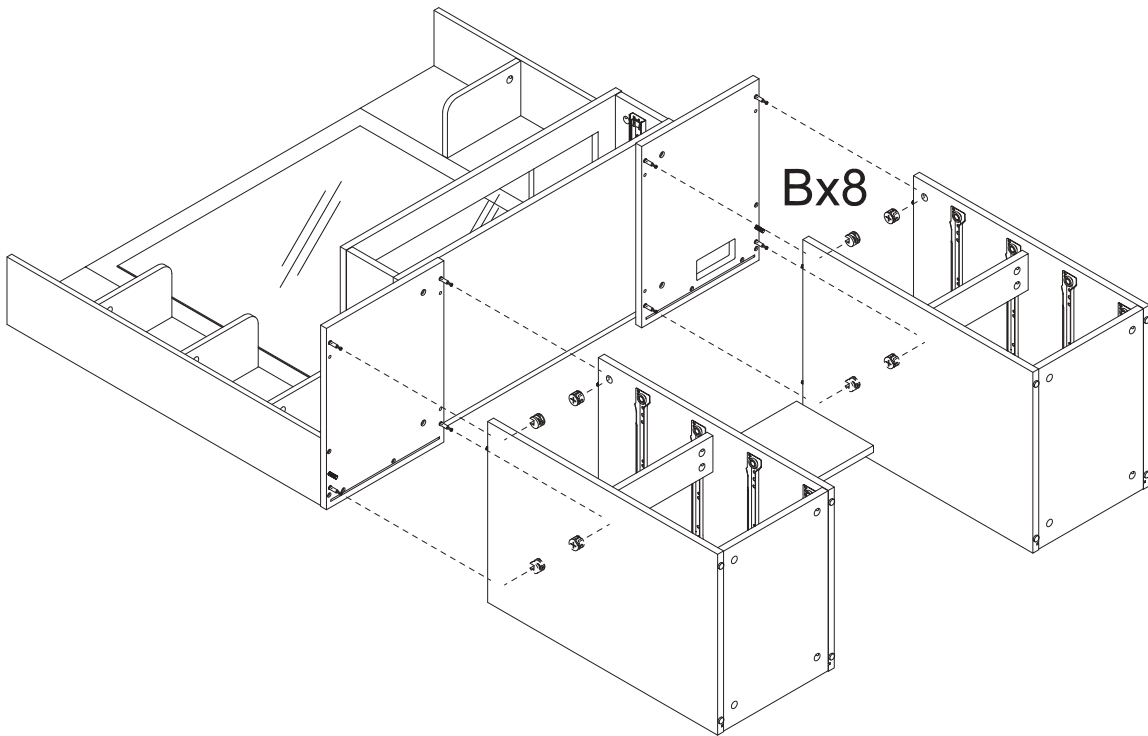
B





x4

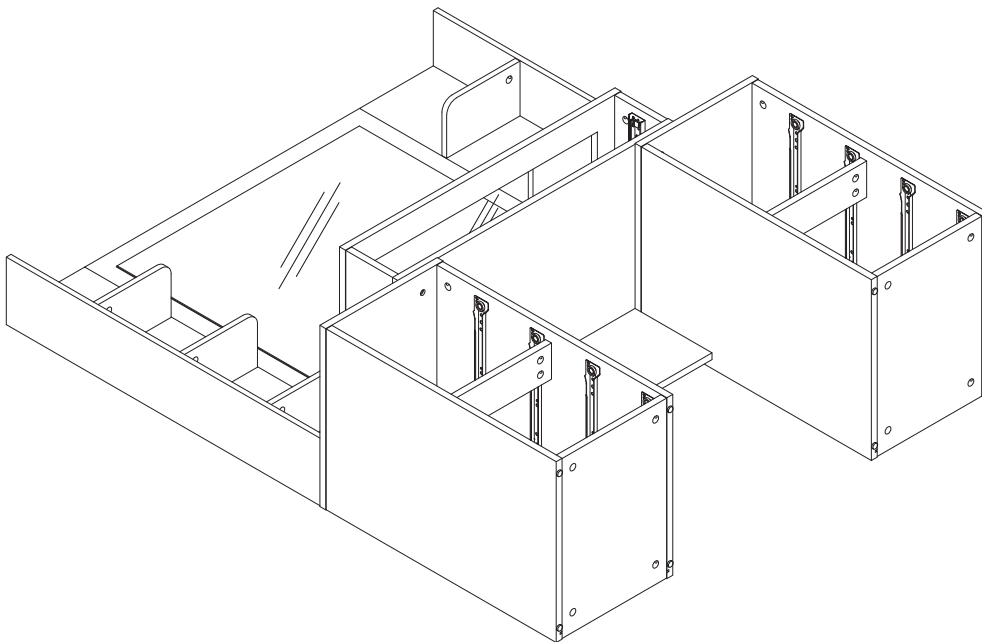
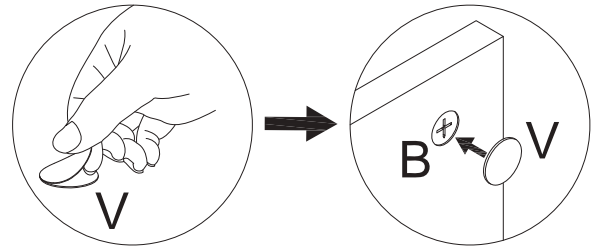


18

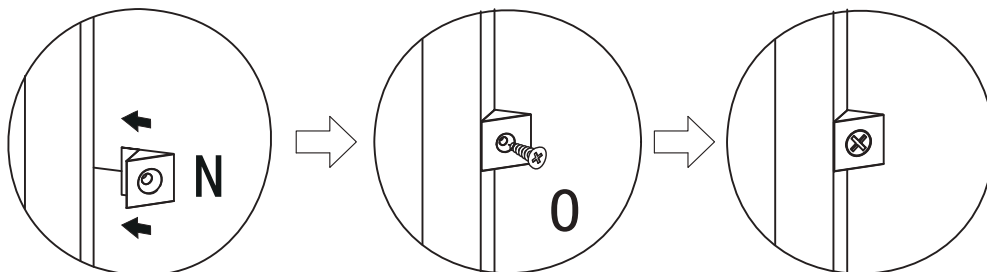
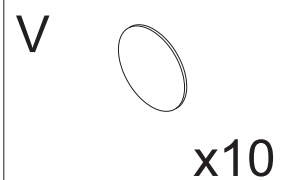
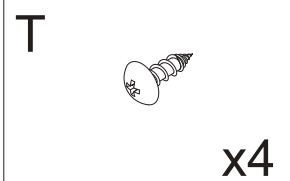
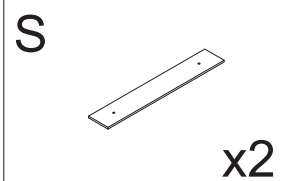
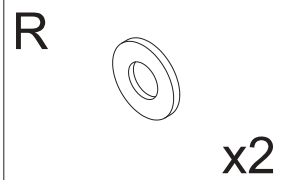
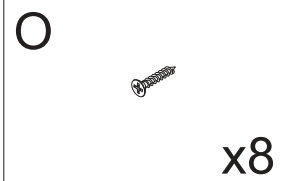
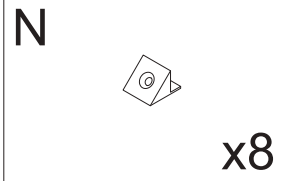
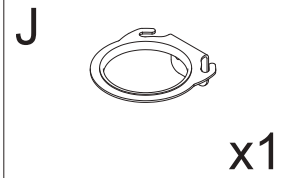
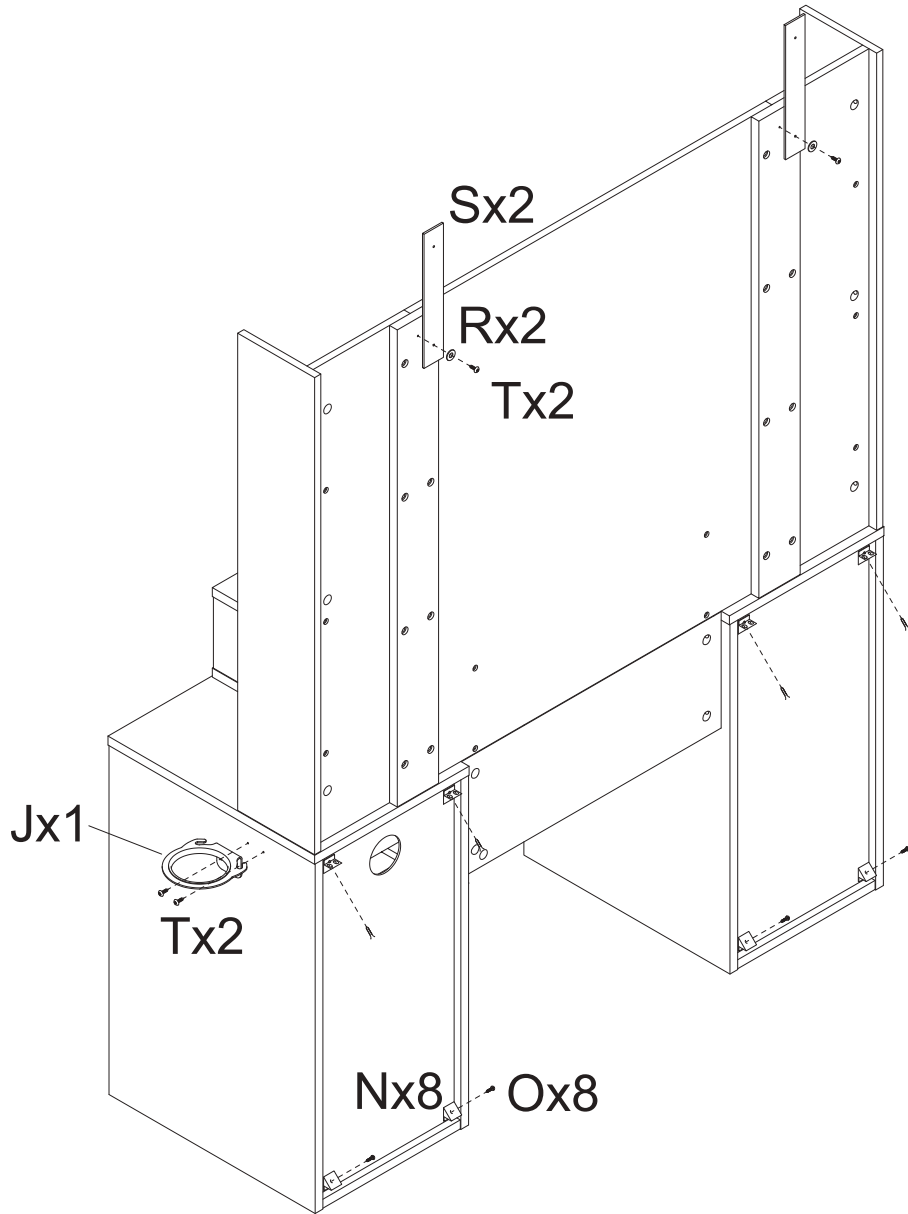


B  x8

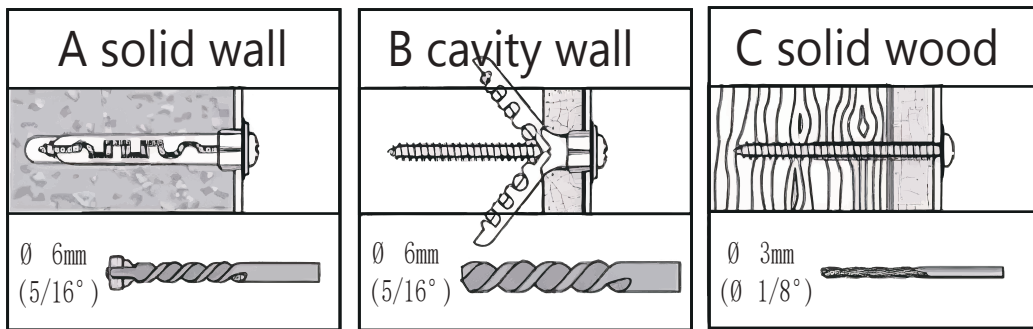
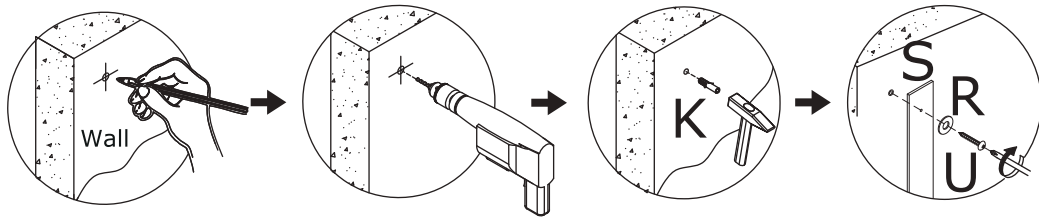
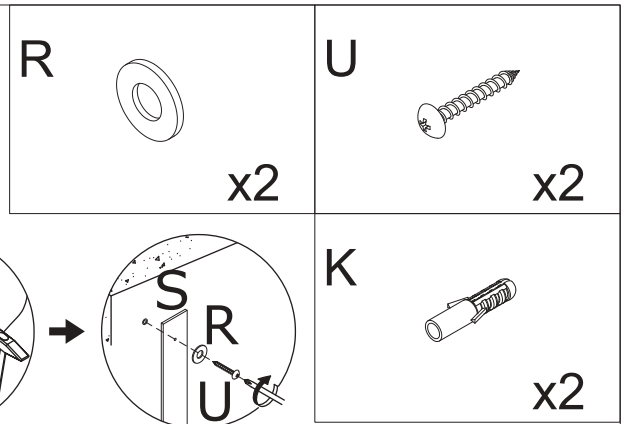
V  x34



19

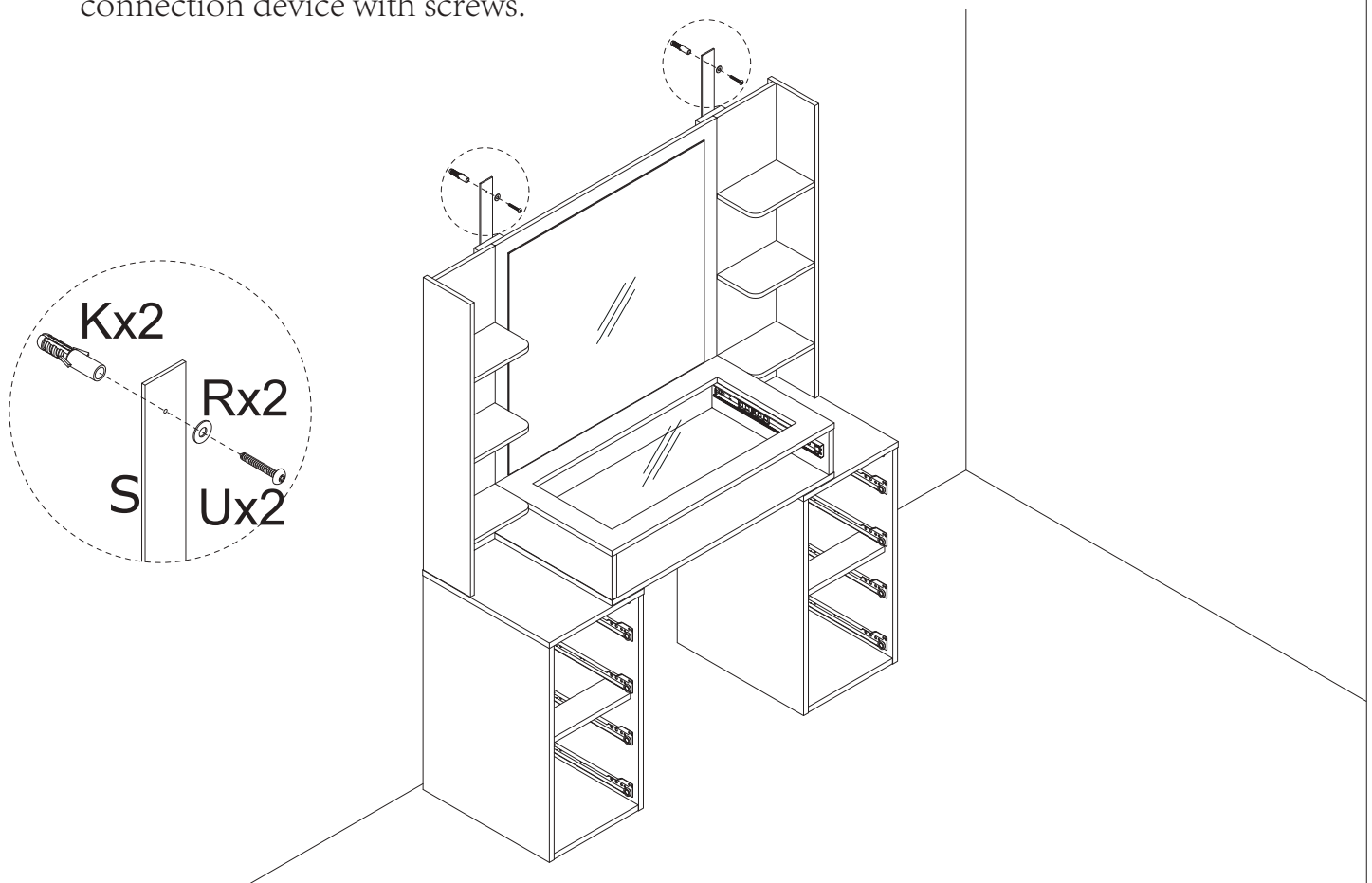


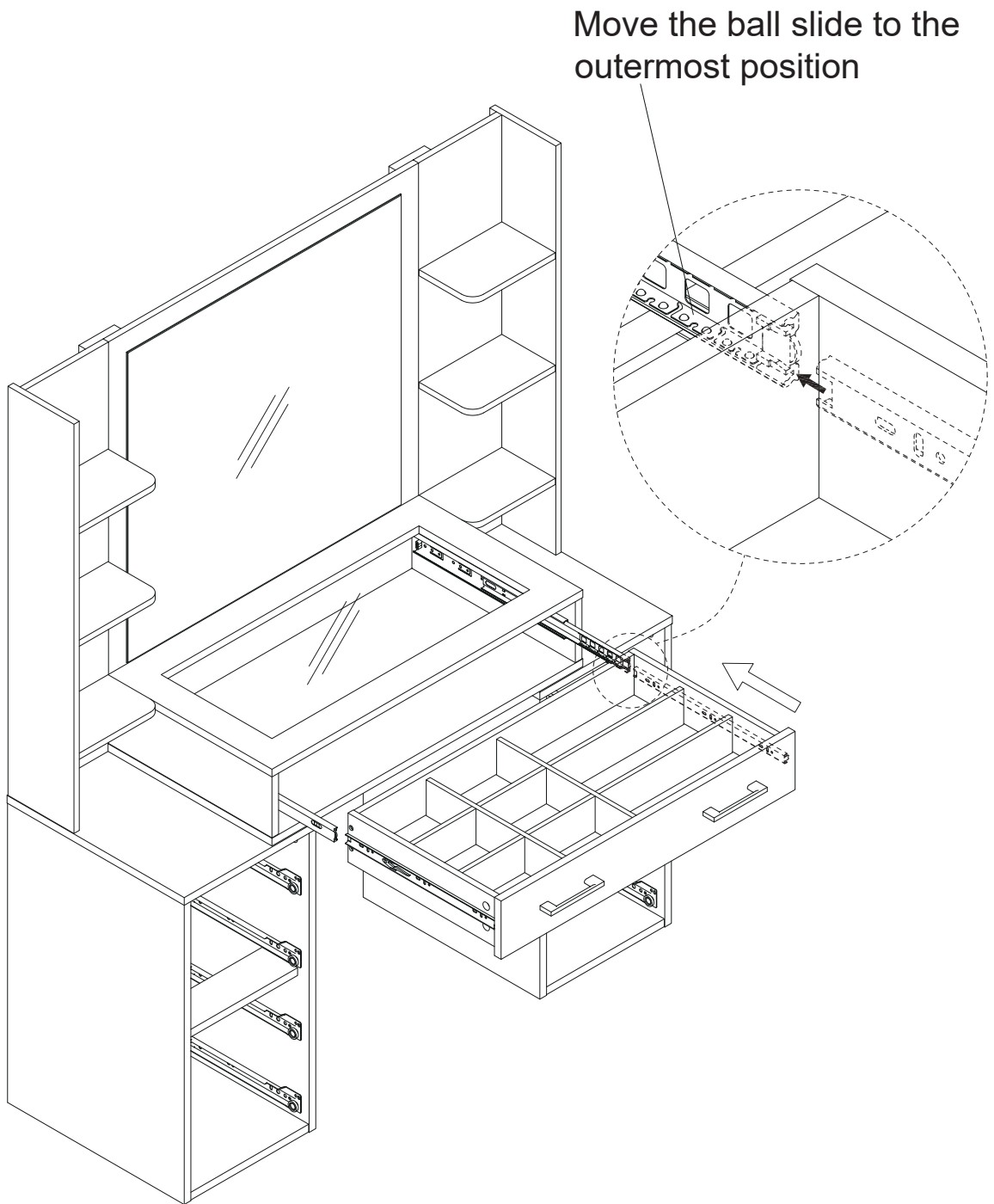
20



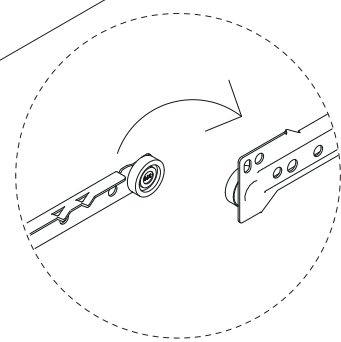
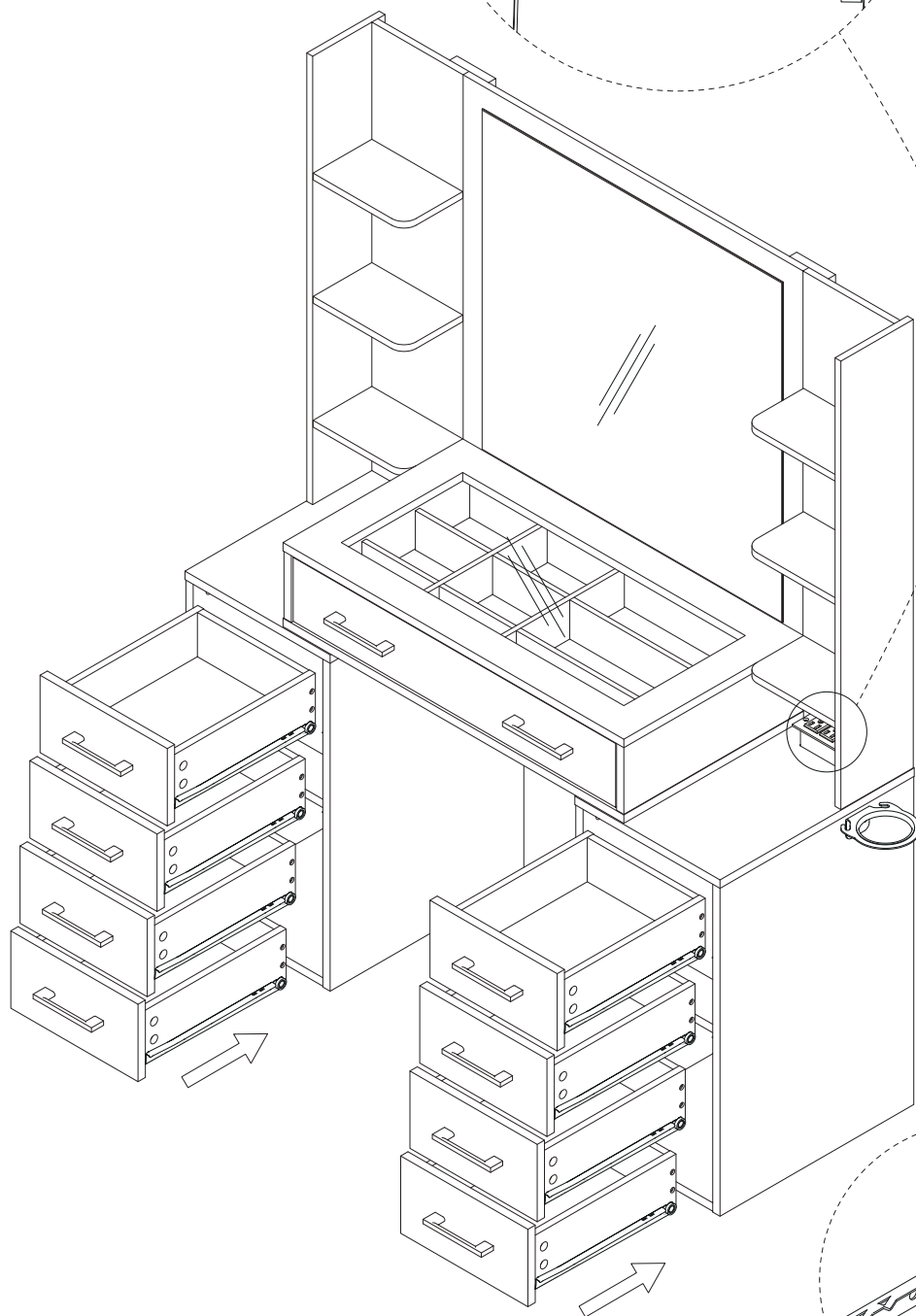
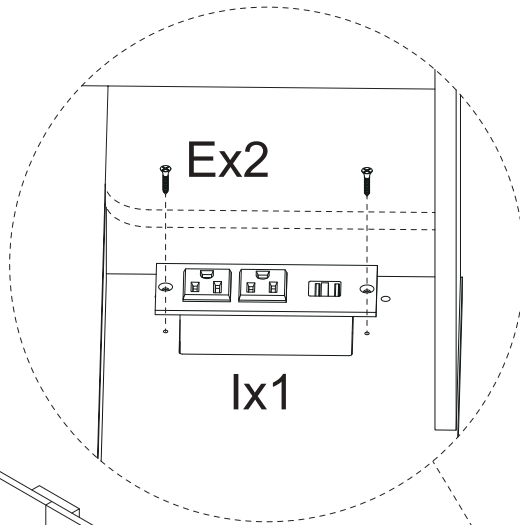
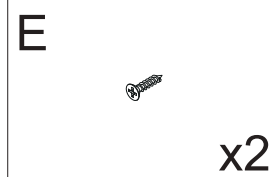
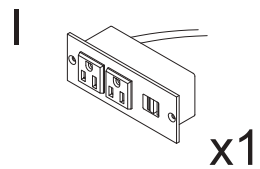
! Warning: If you overturn the furniture, it may cause serious or fatal crushing injuries. We have a wall connection device attached, please use it to hold the furniture following these instructions.

1. Mark the corresponding hole positions where you want to place the furniture;
2. Use a impact drill to drill holes and pay attention to avoid wires and water pipes;
3. Knock the expansion pipes into the wall holes;
4. Place the furniture in the corresponding position and tighten the wall connection device with screws.

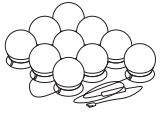




22



23

H 
x1

