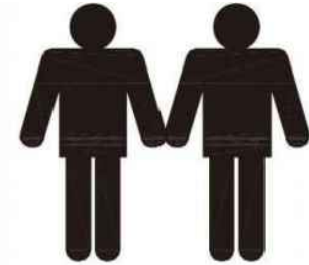
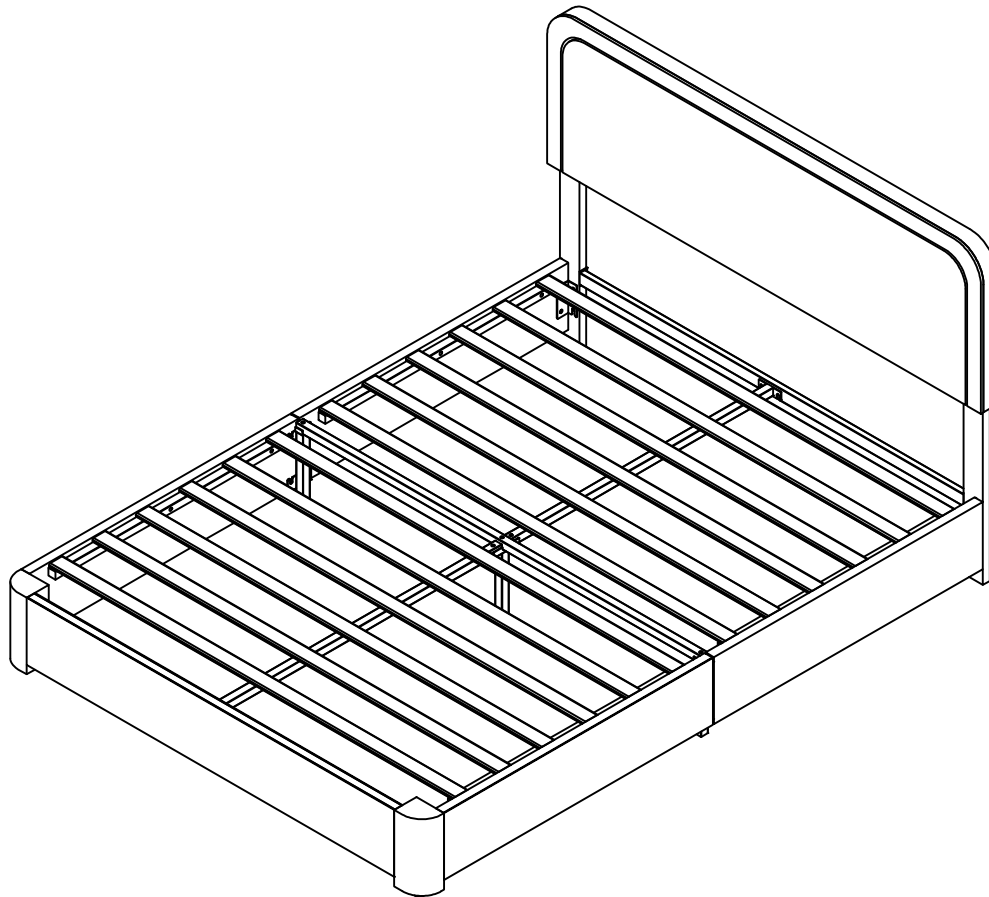


# Assembly Instruction

Note:

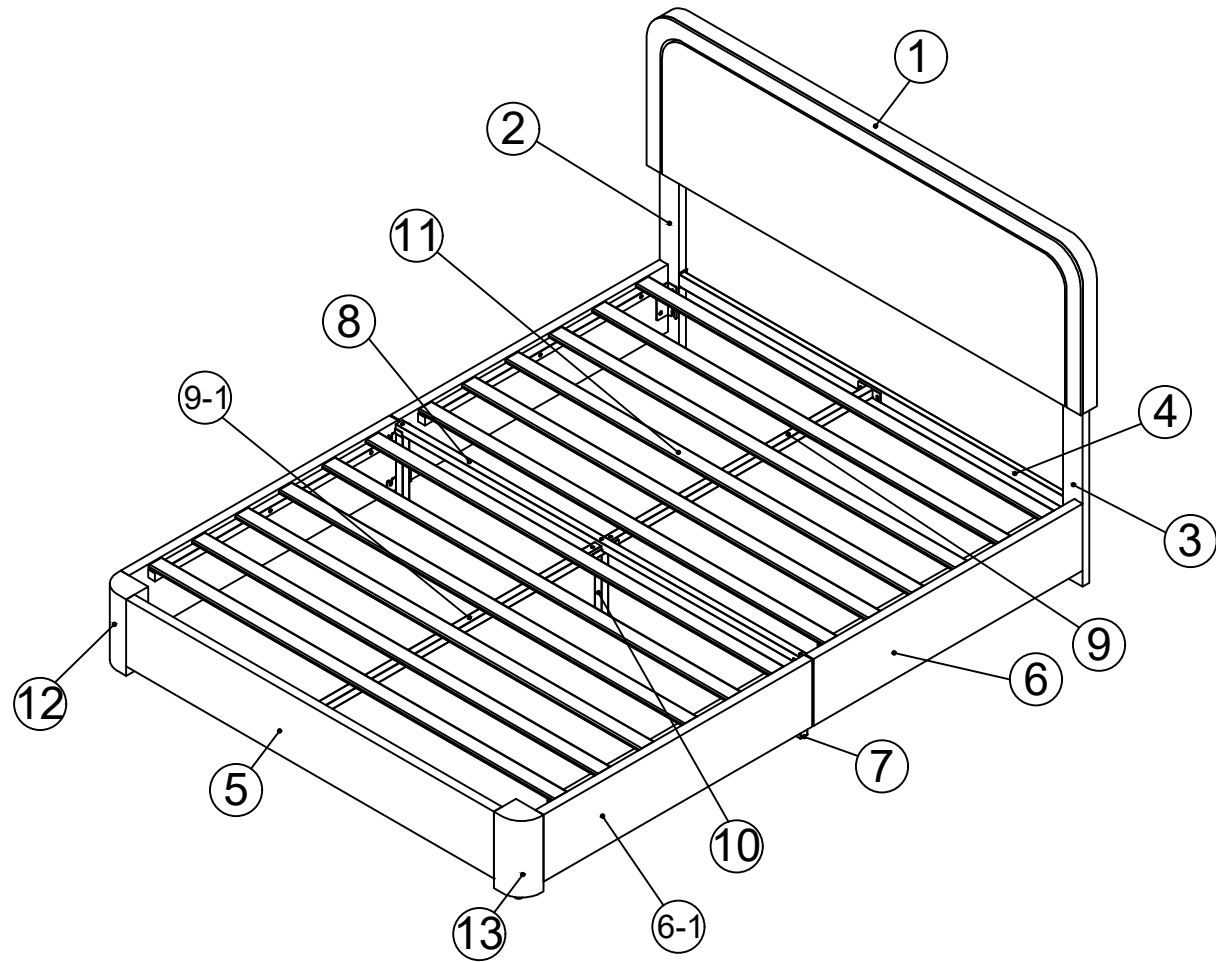
1. Should be assembled on flat ground to keep balance.
2. Before completing the installation, do not tighten the screws.



It needs at least two people to install.







Before starting the assembly, you must read the whole manual and follow the instructions.

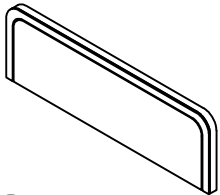

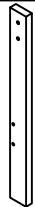
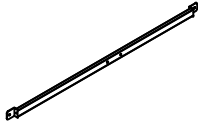
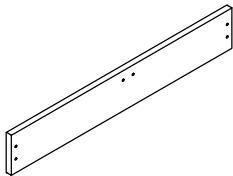
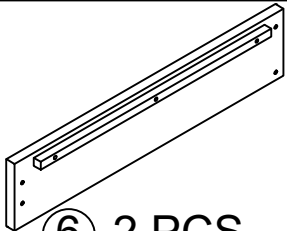
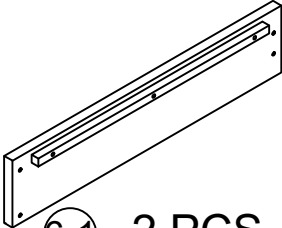
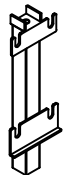
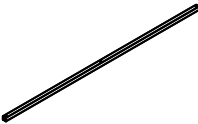
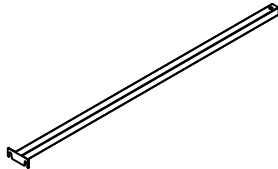
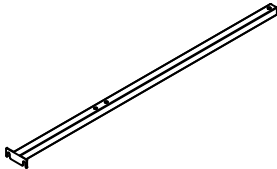
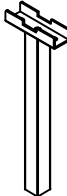
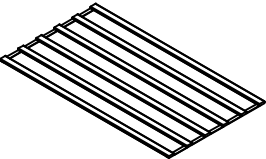
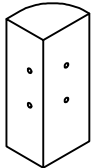
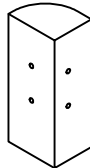

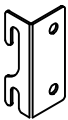


# Assembly Instruction



## Hardware arts

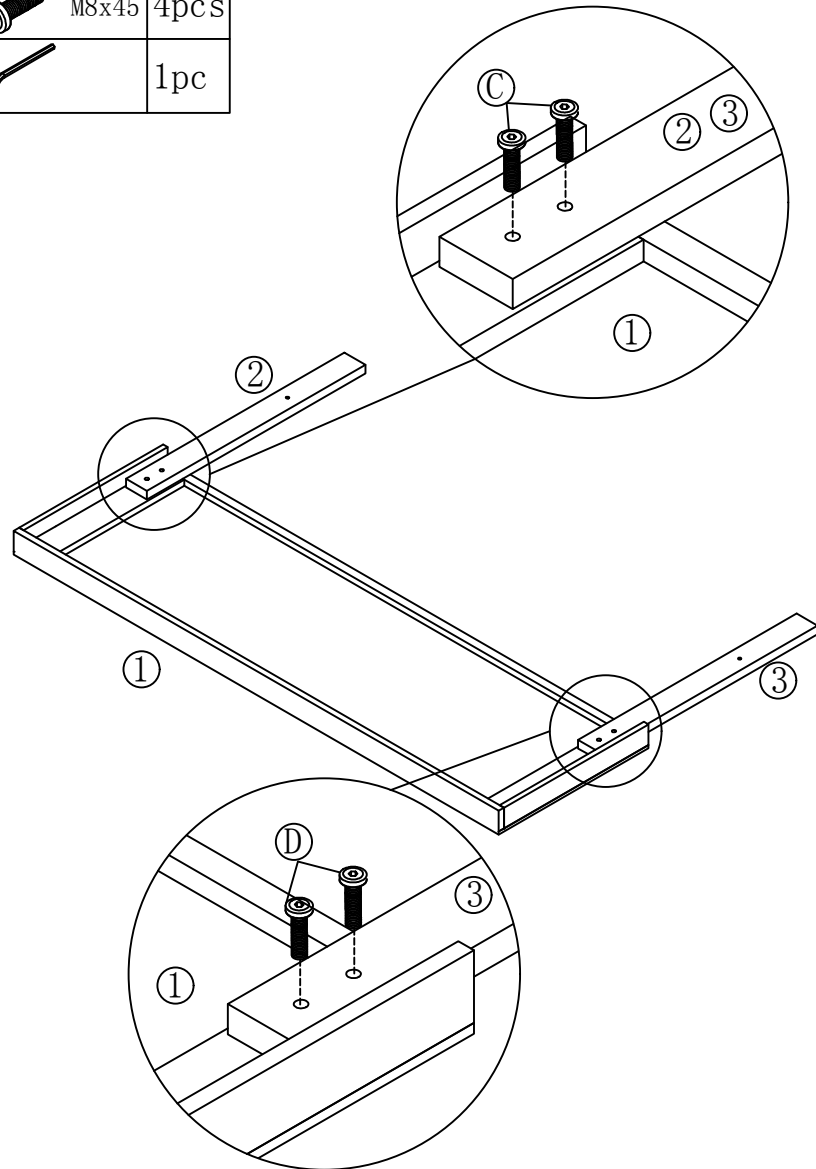
 <p>Ⓐ M8x20 38pcs</p>	 <p>Ⓑ M8x35 4pcs</p>	 <p>Ⓒ M8x45 5pcs</p>	 <p>Ⓓ 4 # 1pc</p>		
--	---	--	--	--	--

## Part list

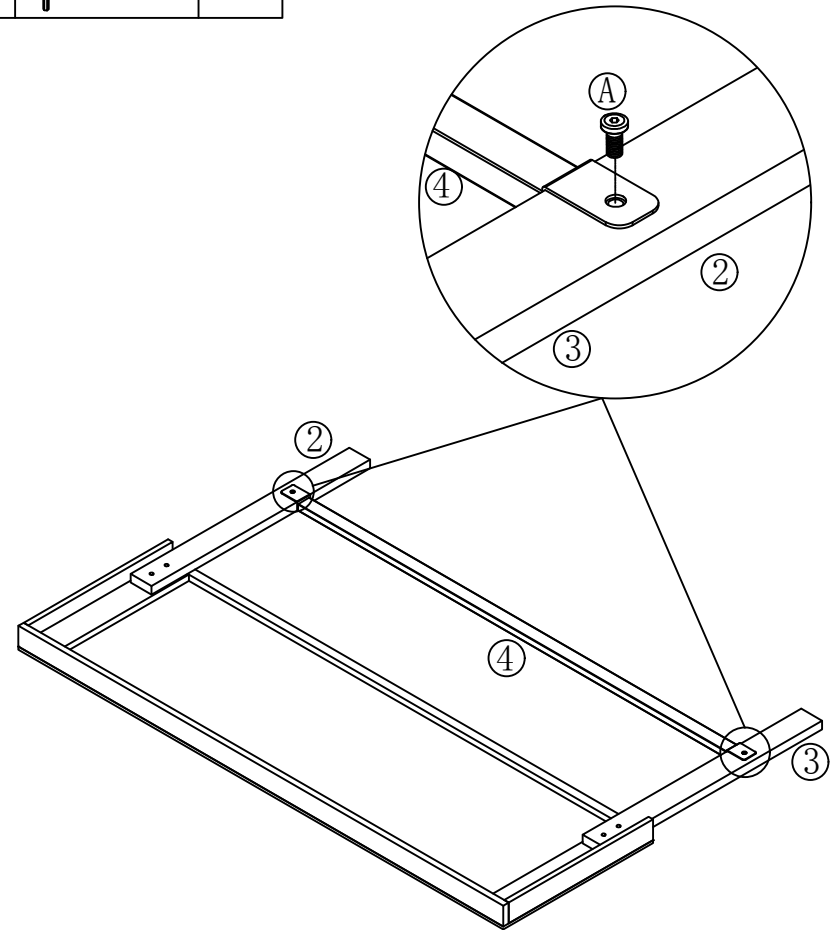
 <p>① 1 PC</p>	 <p>② 1 PC</p>	 <p>③ 1 PC</p>	 <p>④ 1 PC</p>	 <p>⑤ 1 PC</p>	 <p>⑥ 2 PCS</p>
 <p>⑥-1 2 PCS</p>	 <p>⑦ 2 PCS</p>	 <p>⑧ 1 PC</p>	 <p>⑨ 1 PC</p>	 <p>⑨-1 1 PC</p>	 <p>⑩ 1 PCS</p>
 <p>⑪ 2 PCS</p>	 <p>⑫ 1 PC</p>	 <p>⑬ 1 PC</p>	 <p>⑭ 3 PCS</p>	 <p>⑮ 3 PCS</p>	<p>Page 3/9</p>

# Assembly Instruction



C	 M8x45	4pcs
D		1pc

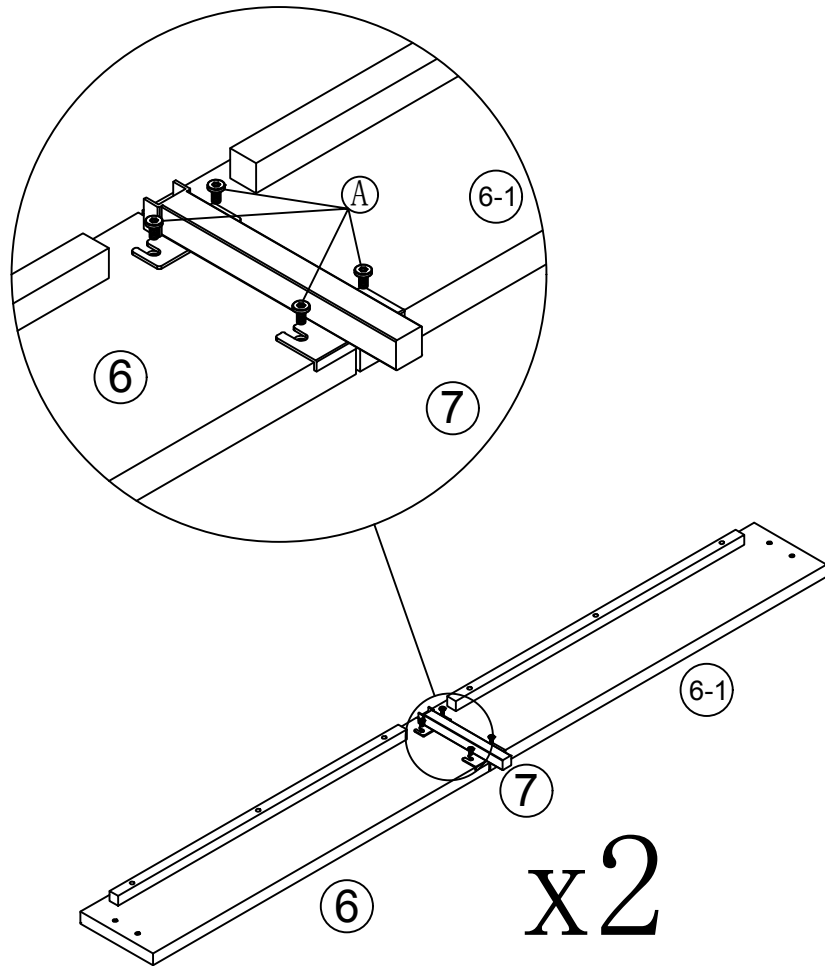


A	 M8x20	2pcs
D		1pc

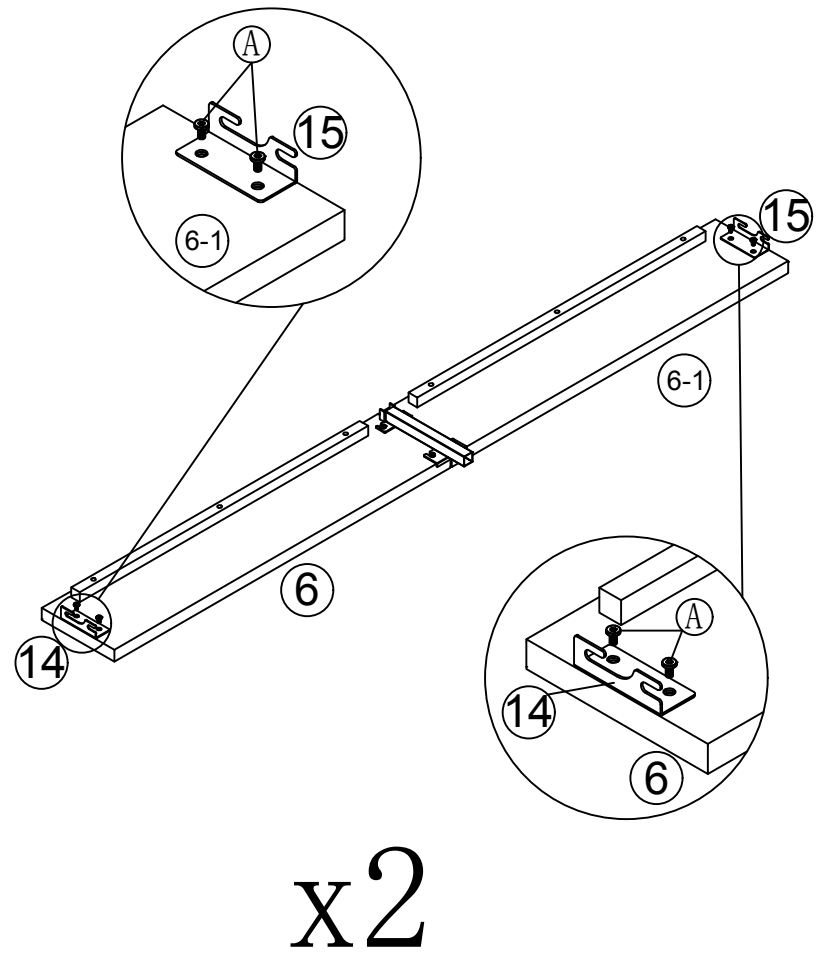


# Assembly Instruction



A	 M8x20	8pcs
D		1pc

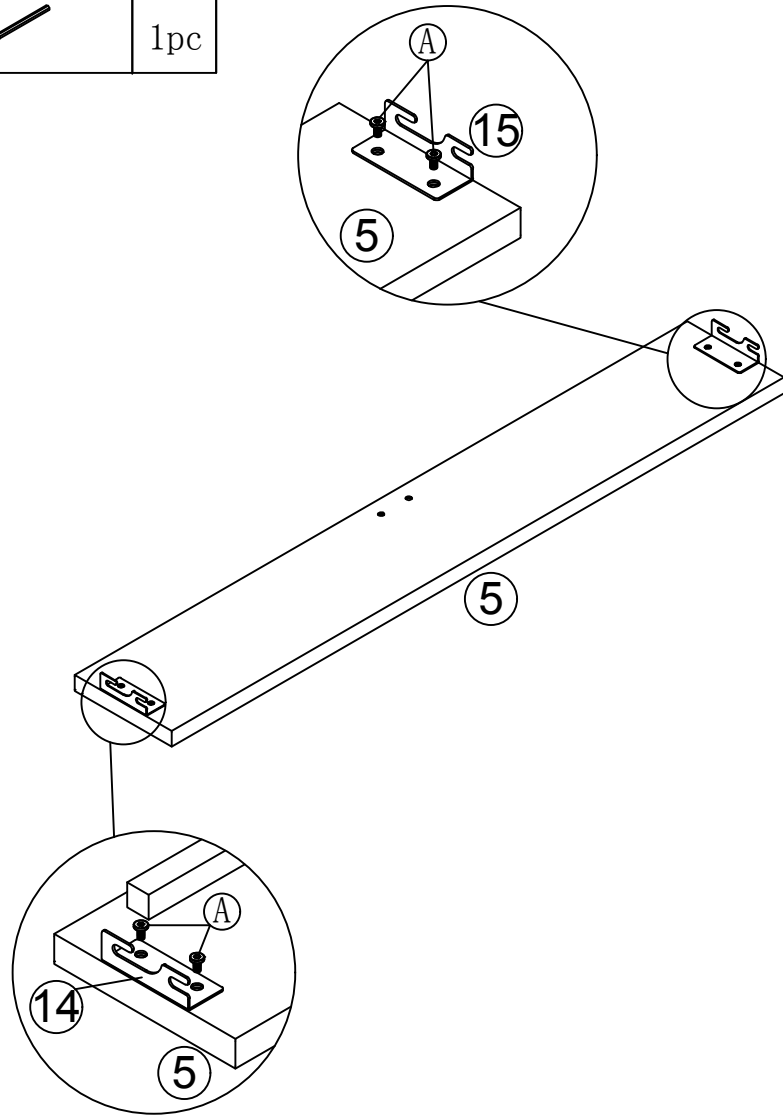


A	 M8x20	8pcs
D		1pc

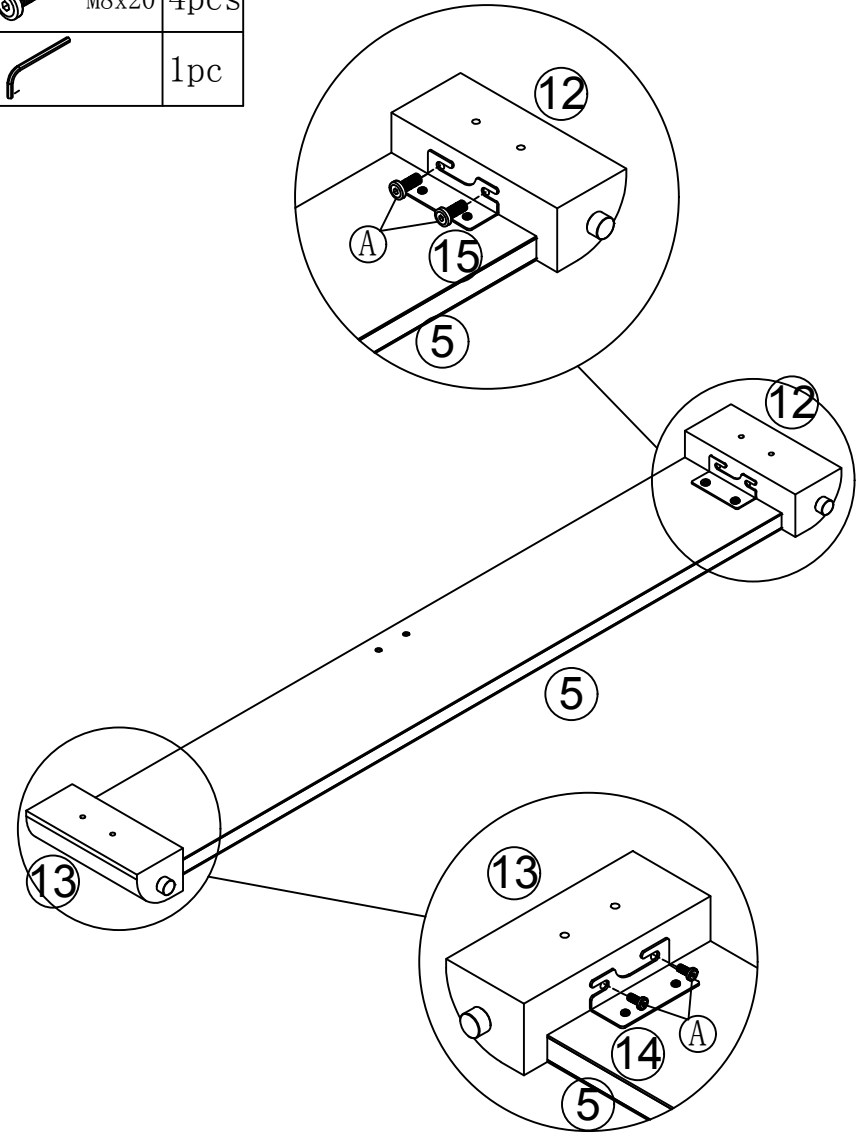


# Assembly Instruction



A	 M8x20	4pcs
D		1pc

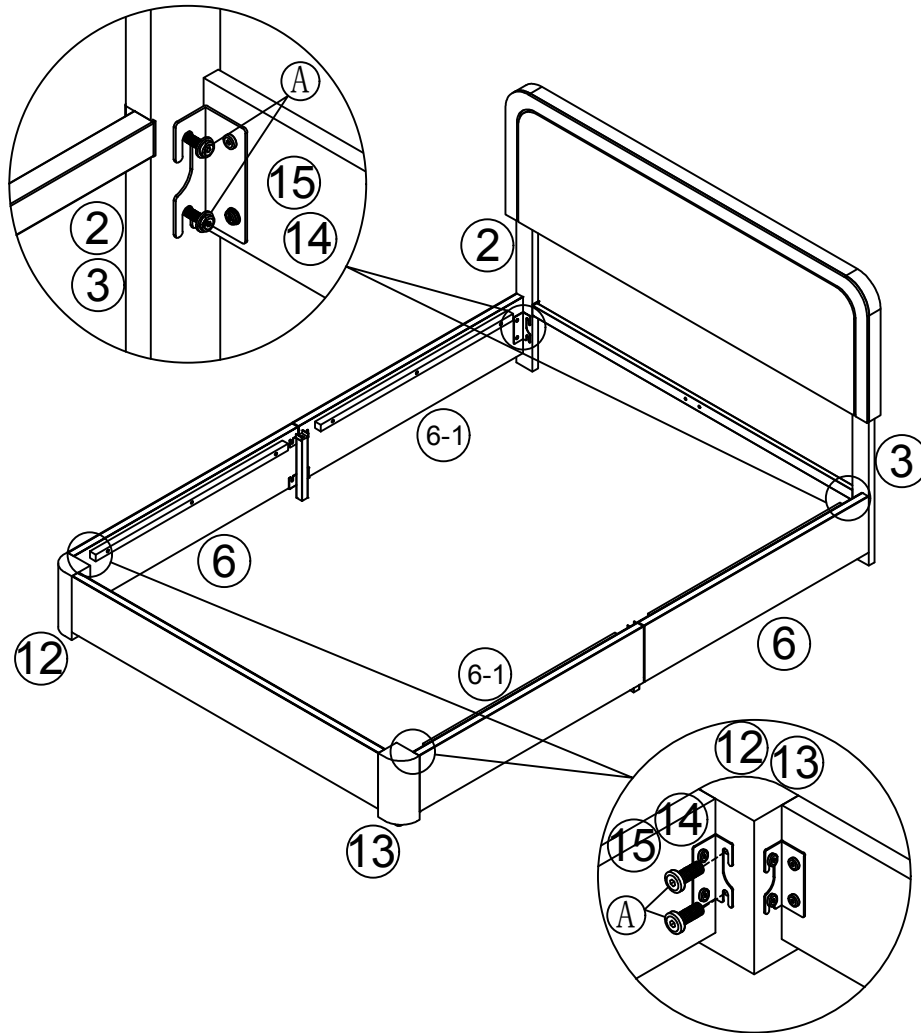



A	 M8x20	4pcs
D		1pc

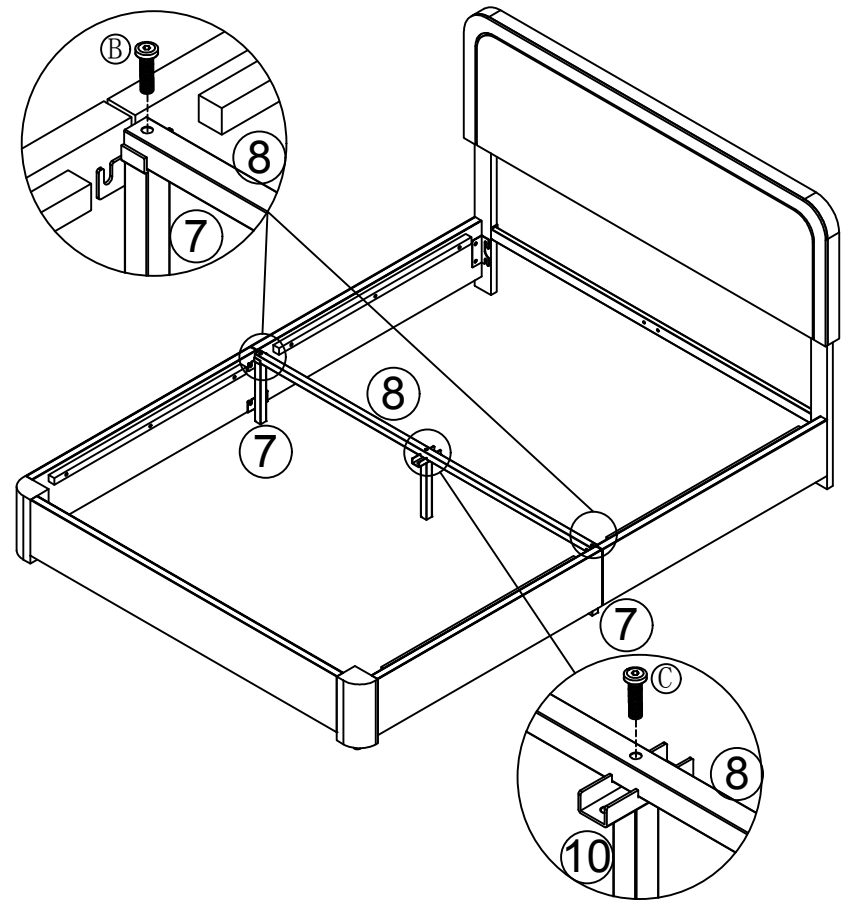


# Assembly Instruction



A		M8x20	8pcs
D			1pc

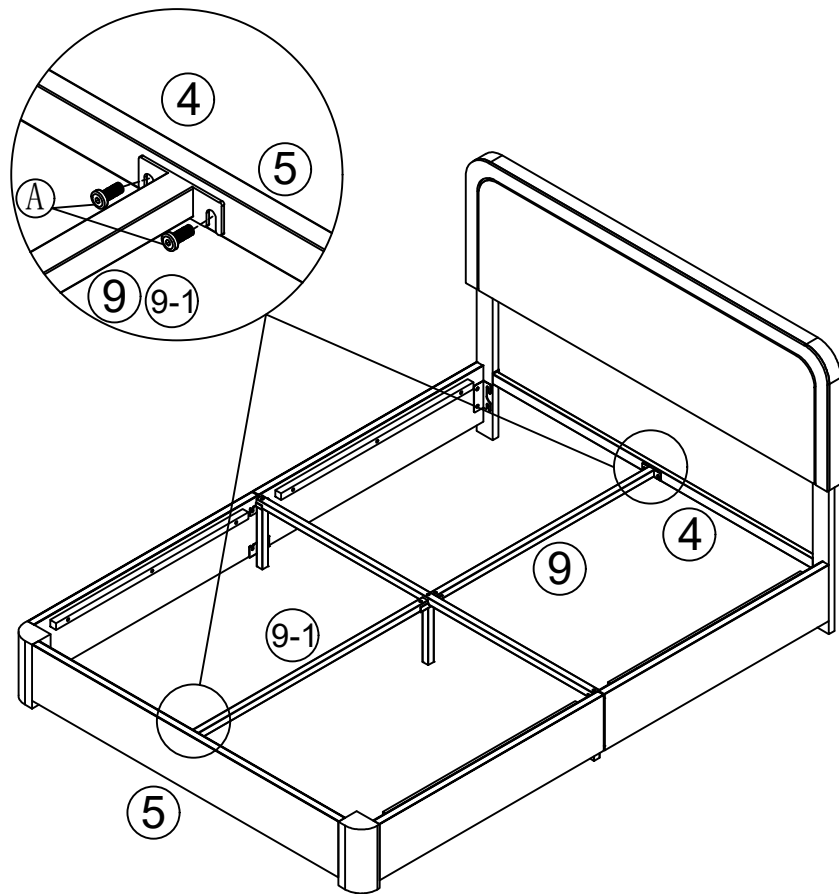




B		M8x35	2pcs
C		M8x45	1pc
D			1pc

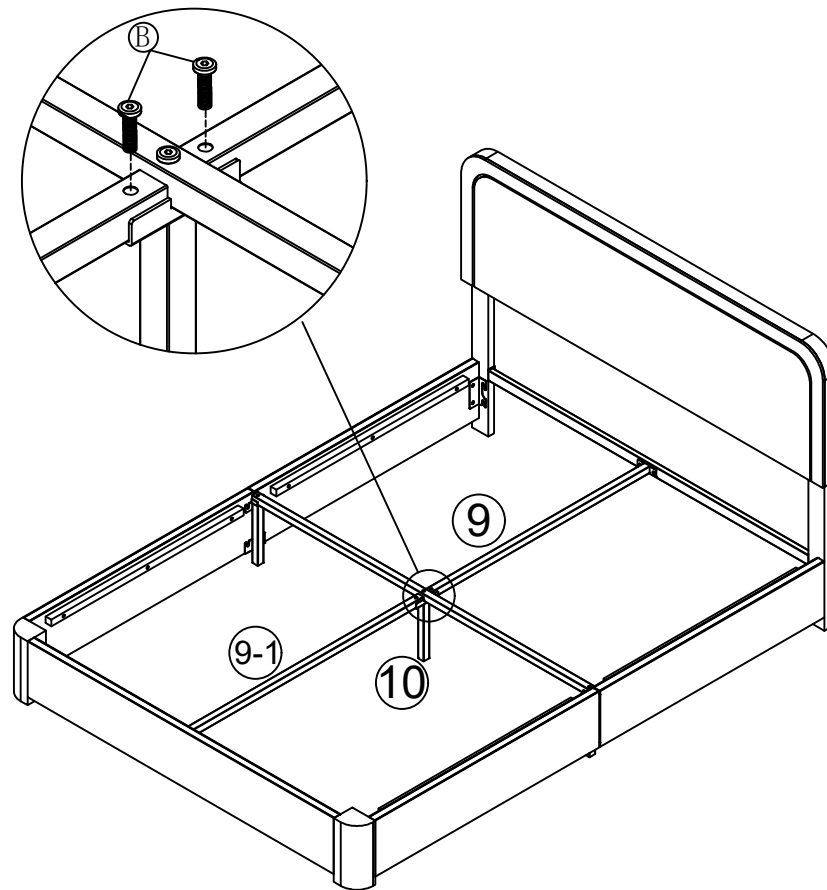


# Assembly Instruction

A	 M8x20	4pcs
D		1pc



B	 M8x35	2pcs
D		1pc



# Assembly Instruction

