

8000 SQUARED COLLECTION DECORATIVE GRAB BARS

METICULOUSLY DESIGNED WITH THE USER IN MIND

sales@preferredbathinc.com

www.preferredbathinc.com

(336) 904-6248



100% STAINLESS STEEL CONSTRUCTION

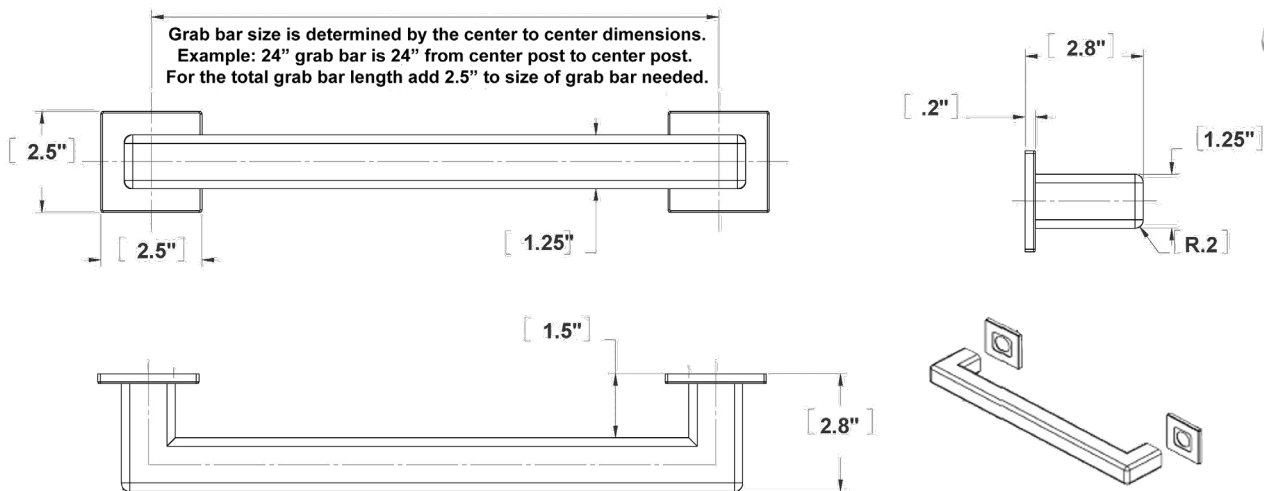
- ROUNDED EDGE 304 STAINLESS STEEL BAR
- SOLID 304 STAINLESS STEEL DECORATIVE COVER FLANGES
- ADJUSTABLE MULTI-SCREW 304 STAINLESS STEEL MOUNTING BRACKETS
- PREMIUM STAINLESS STEEL MOUNTING HARDWARE

SOFT TO THE TOUCH EDGES

- INCREASES THE GRIPPABLE SURFACE AREA OF THE PRODUCT. PROVIDING BETTER GRIP, COMFORT AND SAFETY
- MEETS AND EXCEEDS ANSI REQUIREMENTS FOR ROUNDED EDGES ON SQUARE GRAB BARS

EXCEEDS ADA & ANSI REQUIREMENTS

BRIGHT POLISHED	SATIN STAINLESS	MATTE BLACK
8012-BP	8012-SS	8012-MB
8016-BP	8016-SS	8016-MB
8018-BP	8018-SS	8018-MB
8024-BP	8024-SS	8024-MB
8030-BP	8030-SS	8030-MB
8036-BP	8036-SS	8036-MB
8042-BP	8042-SS	8042-MB
8048-BP	8048-SS	8048-MB



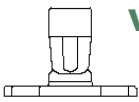
INSTALLATION:

Attach mounting bracket to the wall with the provided screws. Slide flange and grab bar over the wall bracket and secure with provided stainless steel set screws. This grab bar has been designed to be secured to the wall with at least two screws per mounting bracket giving you the strongest squared decorative grab bar on the market. It also has .20" of adjust-ability for an easy installation.

WOOD BLOCKING REQUIRED FOR COMMERCIAL APPLICATION

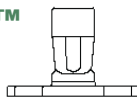
Limited Warranty:

Preferred Bath Accessories Inc. warrants to the purchaser that the product will be free from defects in material and workmanship. If the product does not comply with this warranty, Preferred Bath Accessories Inc. will repair or replace the product or, at Preferred Bath Accessories Inc's. option, refund the purchase price. The limited warranty period is for the lifetime of the product. Limitations on the Warranty: The warranty does not cover, normal wear and tear, product abuse, neglect, improper installation or maintenance. Purchaser Requirements: If this product does not meet Preferred Bath Accessories Inc's. warranty, return the product (postage prepaid) to the place of purchase with proof of purchase and a written claim briefly describing the defect. You may be required to provide other information or evidence of the defect.



VERSA MOUNTING BRACKET™

THE STRONGEST MOST VERSATILE
MOUNTING SYSTEM ON THE MARKET



sales@preferredbathinc.com

www.preferredbathinc.com

(336) 904-6248



BENEFITS AND FEATURES

MATERIAL COMPOSITION

SOLID INVESTMENT GRADE CAST 304 STAINLESS STEEL

KEY FEATURES

ONLY A SMALL 1/2" HOLE NEEDED TO USE THE SNAPTOGGLE® DRYWALL ANCHOR
CAN BE USED WITH MULTIPLE ANCHORS OR SCREWS TOGETHER OR SEPARATE

VERSA MOUNTING BRACKET™ | WOOD MOUNTED

METHOD ONE | ONE SCREW WOOD MOUNT

ONE STAINLESS STEEL MOUNTING SCREW USING THE CENTER MOUNTING HOLE

METHOD TWO | TWO SCREW WOOD MOUNT

TWO STAINLESS STEEL MOUNTING SCREWS USING ANY OF THE FOUR OUTSIDE MOUNTING HOLES
SUPERIOR STRENGTH FOR GRAB BAR INSTALLATION



METHOD THREE | ONE SNAPTOGGLE® DRYWALL ANCHOR

ONE SNAPTOGGLE® DRYWALL ANCHOR USING THE CENTER MOUNTING HOLE

METHOD FOUR | TWO SNAPTOGGLE® DRYWALL ANCHORS

TWO SNAPTOGGLE® DRYWALL ANCHORS USING ANY OF THE FOUR OUTSIDE MOUNTING HOLES



METHOD FIVE | ONE SNAPTOGGLE® DRYWALL ANCHOR AND ONE SCREW WOOD MOUNT

ONE SNAPTOGGLE® DRYWALL ANCHOR CAN BE USED WITH ONE STAINLESS STEEL MOUNTING SCREW DRIVEN INTO A WALL STUD OR BLOCKING

