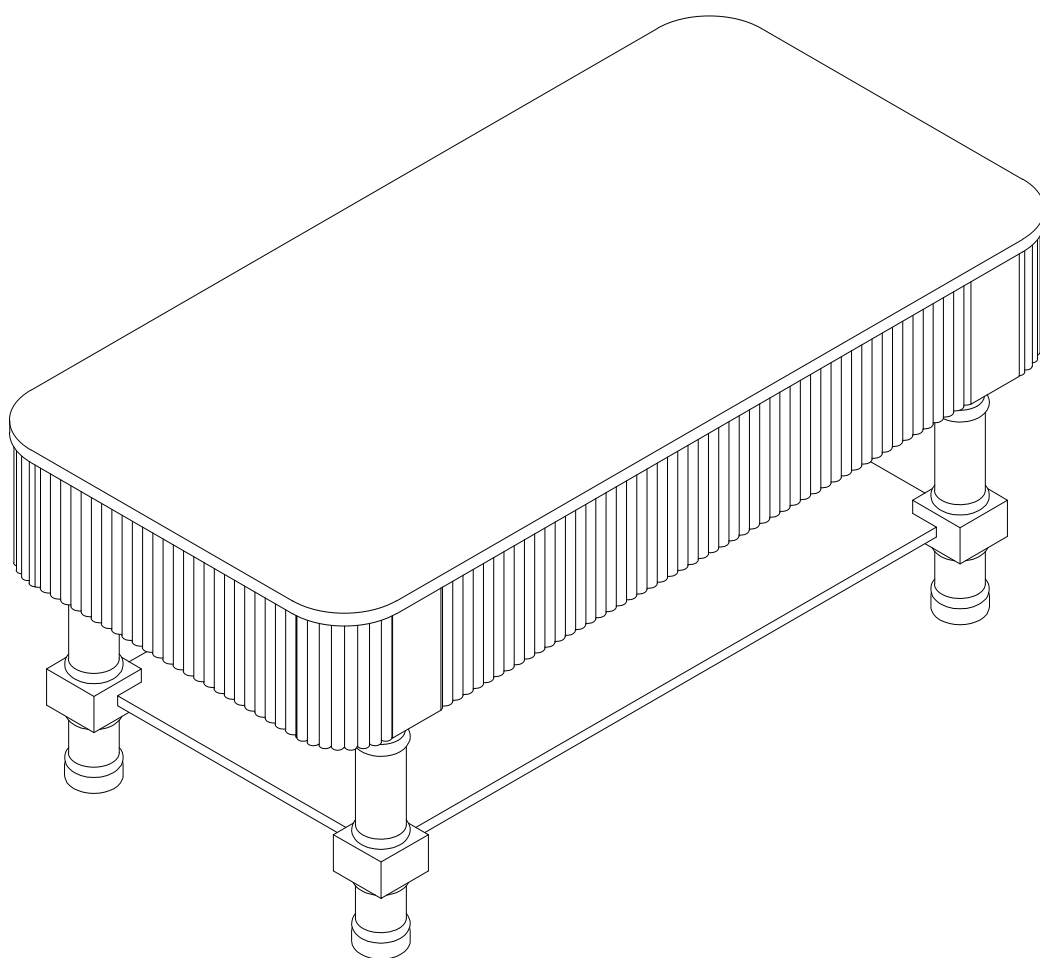


Assembly Instructions

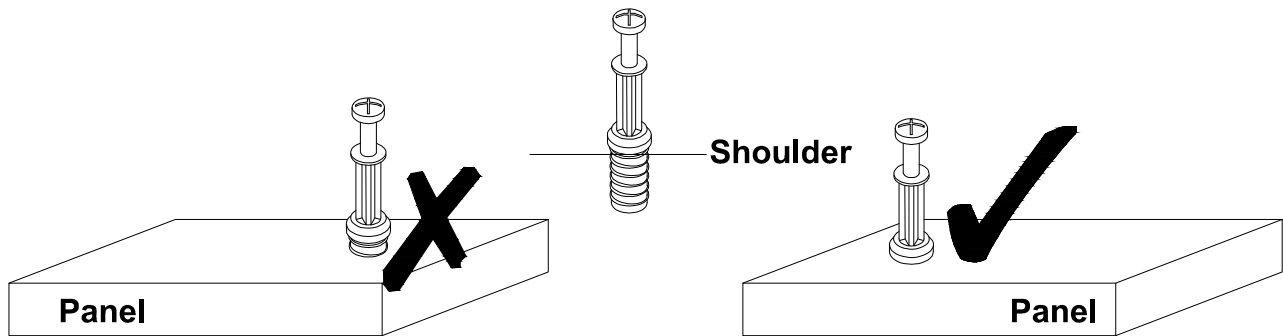


Before Assembly

Tips Before Your Start:

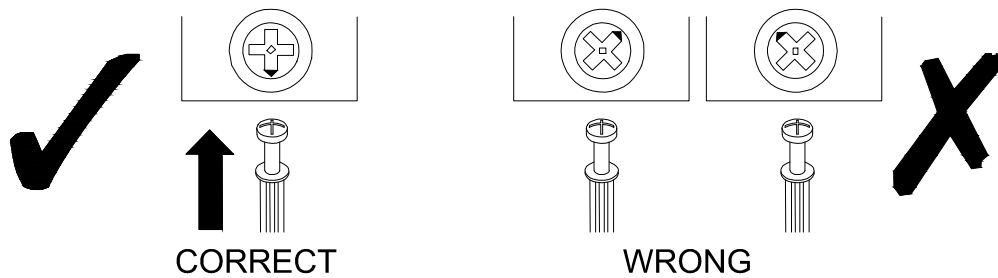
- Remove all wrapping material, including staples & packing straps before you start to assemble.
- DO NOT tighten all screws and bolts until the assembly is completely assembled.
- Keep all hardware parts out of reach of children.

QUICKFIT



Tighten quickfit until shoulder is flush with panel. Do not overtighten or undertighten.

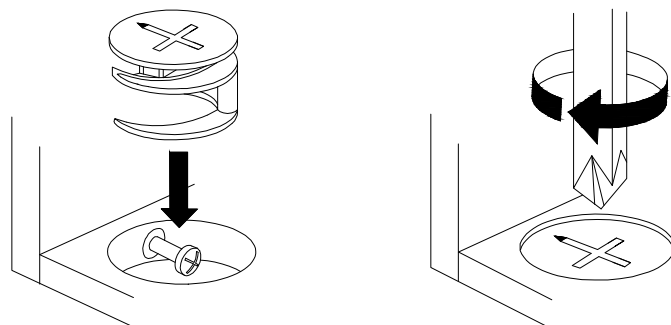
CAM LOCK



When fitting a cam lock, ensure the starting position is correct before inserting the connecting QUI CKFIT





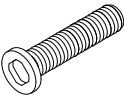
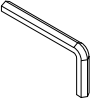
Quickfit head should be in the centre of the cam lock when the two panels are joined.

Cam lock should be inserted before quickfit.

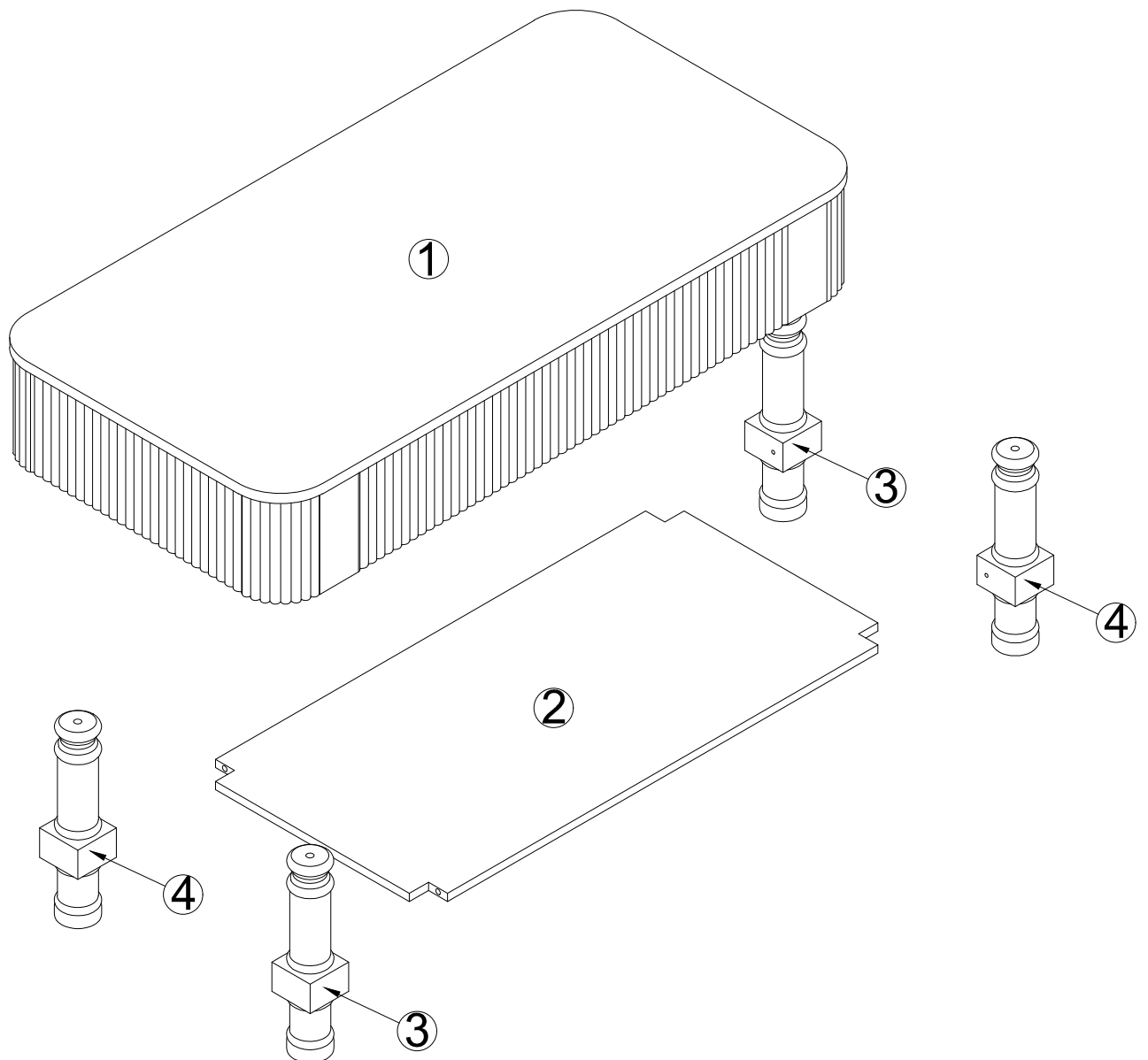


Turn cam lock clockwise to tighten.

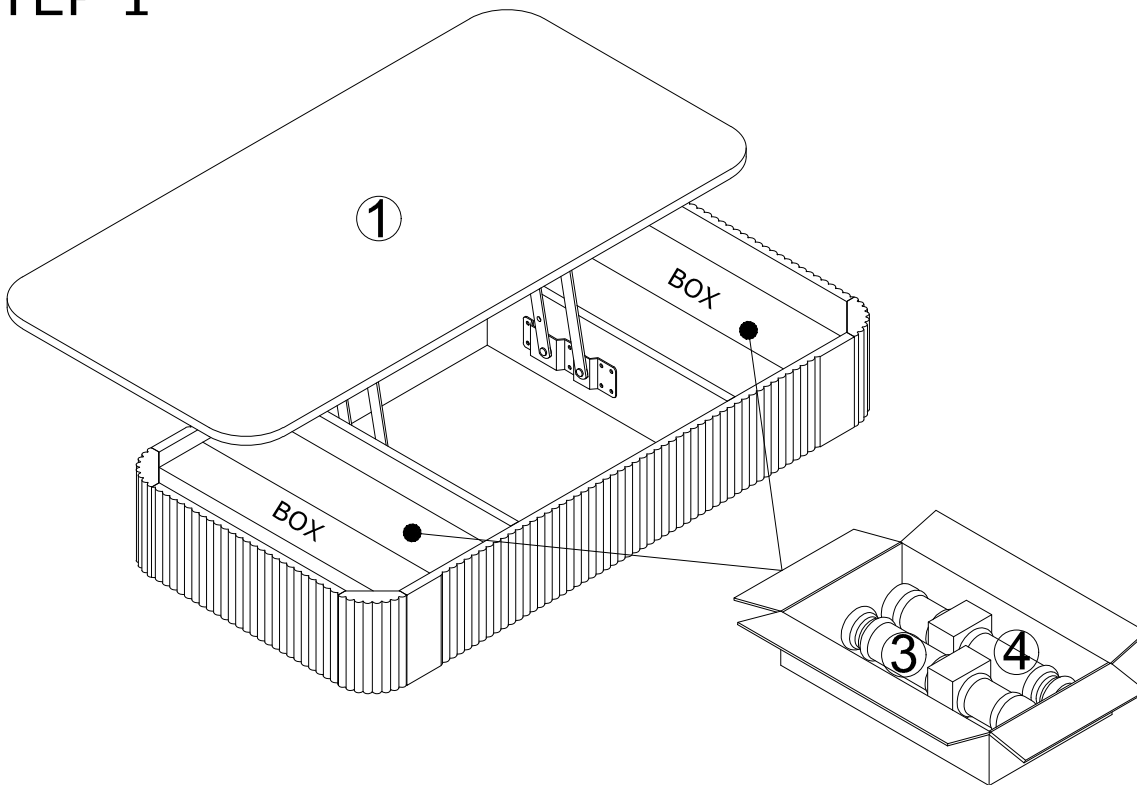
Part List

<p>No. A Quantity:4 Pcs Cam Lock Dowel 8*28mm</p> 	<p>No. B Quantity:4 Pcs Cam φ15</p> 	<p>No. C Quantity:20 Pcs Sticker Ø20</p> 	<p>No. D Quantity:4 Pcs Foot Pad Ø20</p> 
<p>No. E Quantity:4 Pcs Screw M8*30mm</p> 	<p>No. F Quantity:1 Pcs Allen Key 5#</p> 		

Product structure

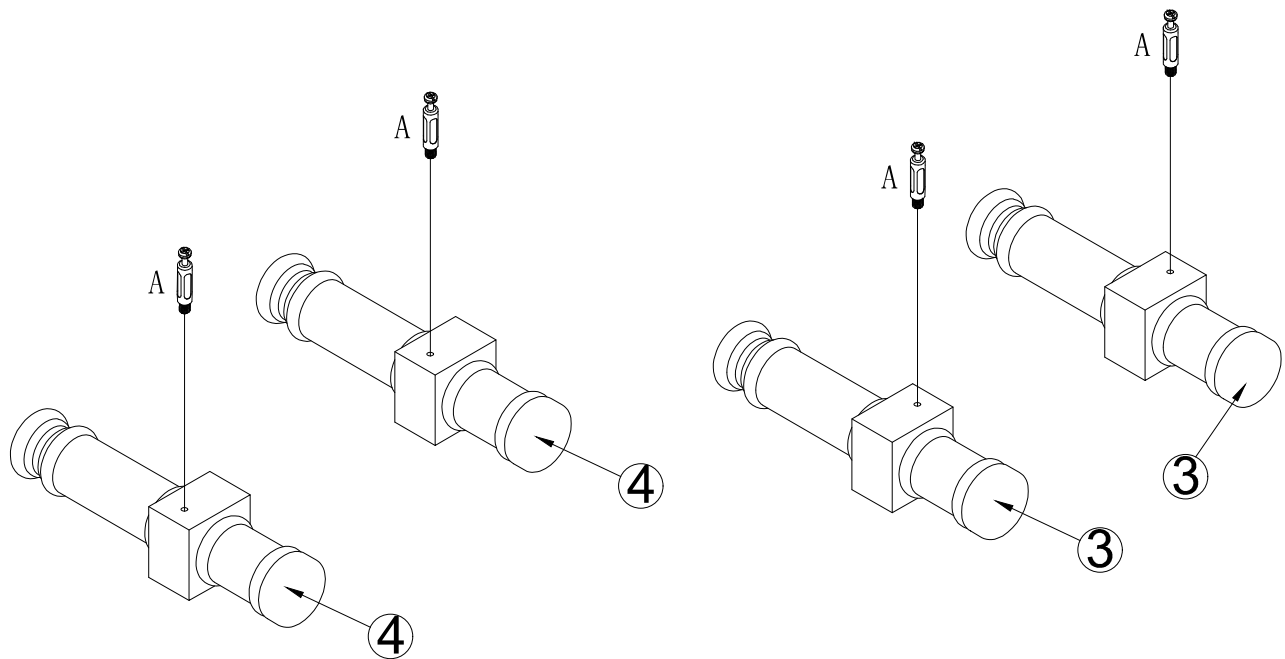


STEP 1



Note: First, take the cardboard box out from the inside of the cabinet, and then take the feet and hardware out from the cardboard box to facilitate the subsequent installation.

STEP 2



No. A
Quantity: 4 Pcs
8*28mm

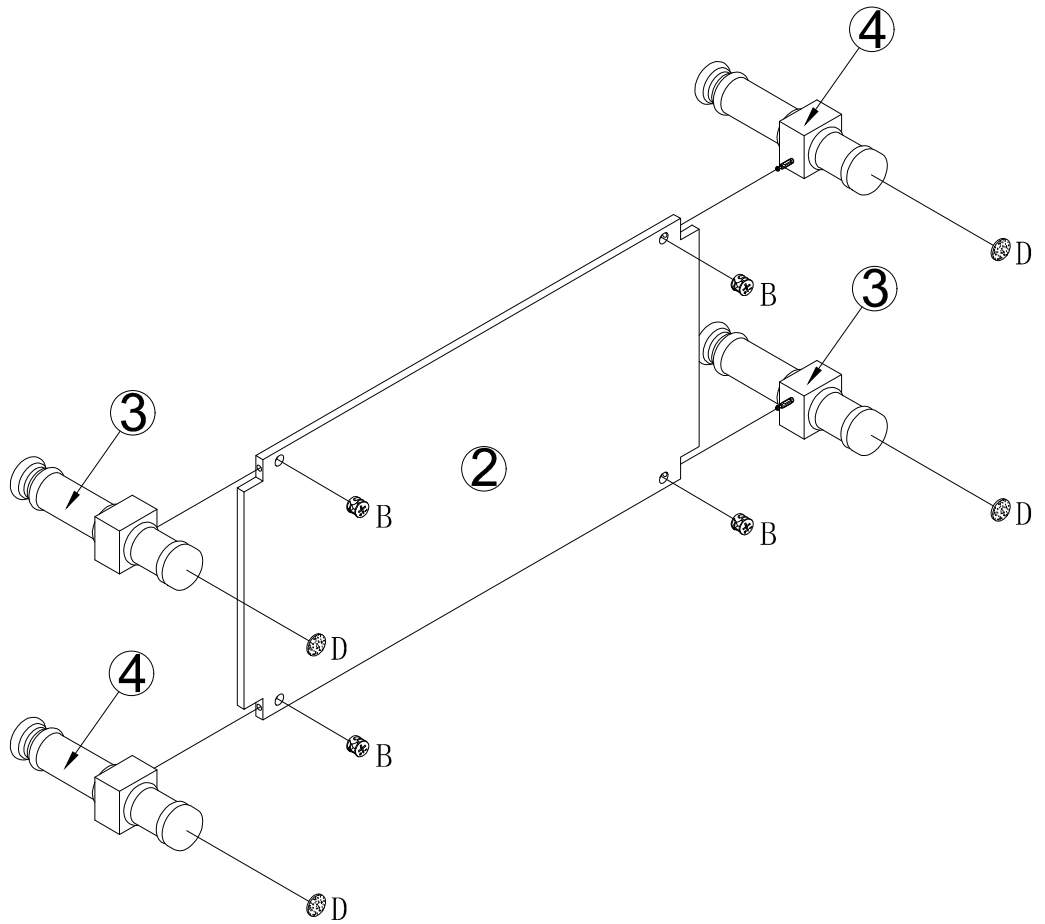


STEP 3

No. B
Quantity: 4 Pcs
φ15

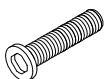


No. D
Quantity: 4 Pcs
Ø20



STEP 4

No. E
Quantity: 4 Pcs
M8*30mm



No. F
Quantity: 1 Pcs
5#

