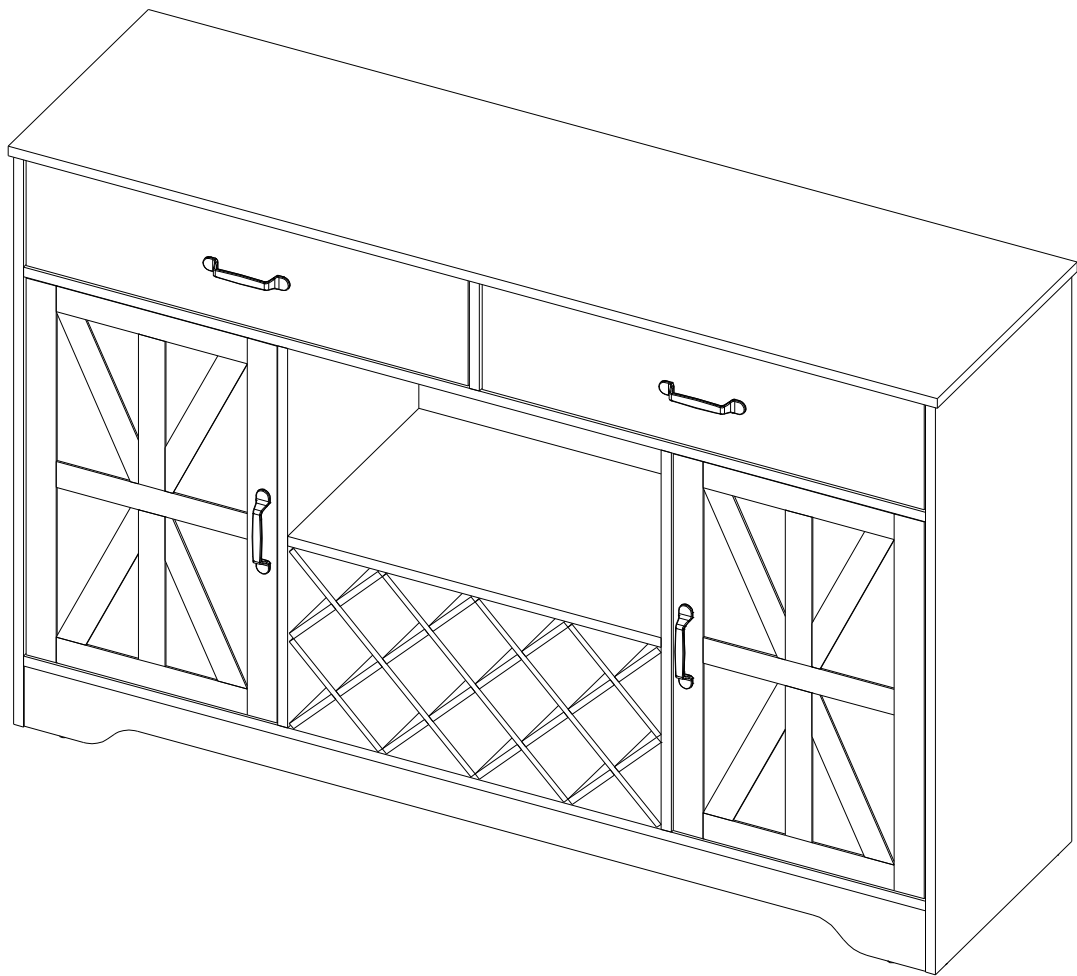
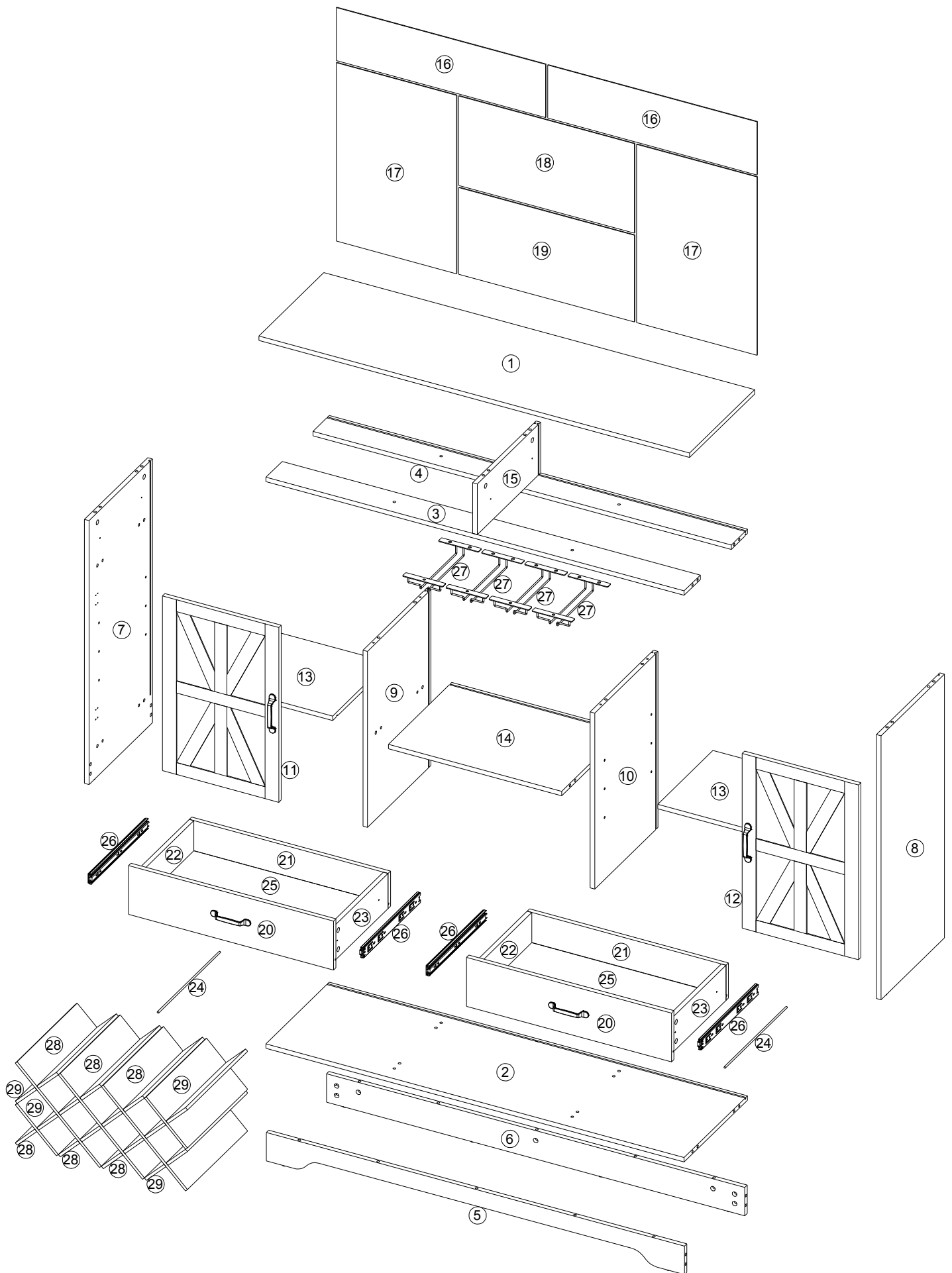


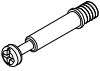

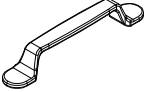
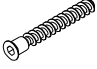

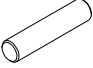


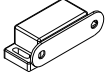



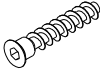

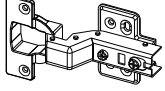
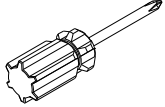
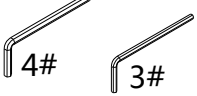
# ASSEMBLY INSTRUCTION



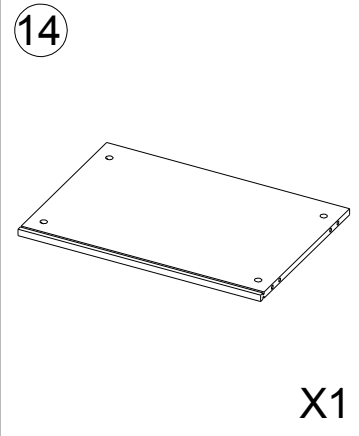
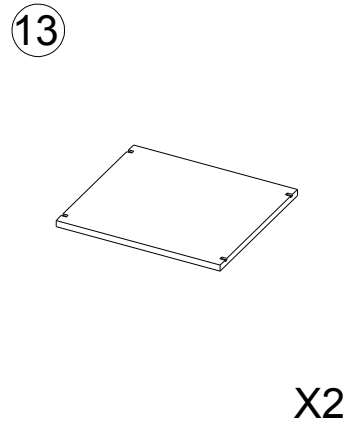
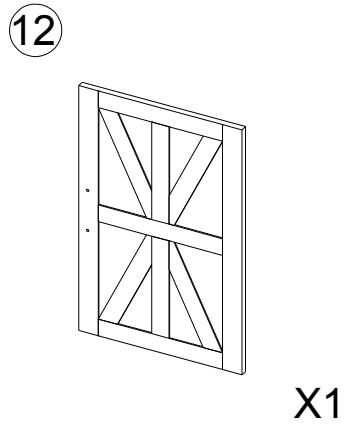
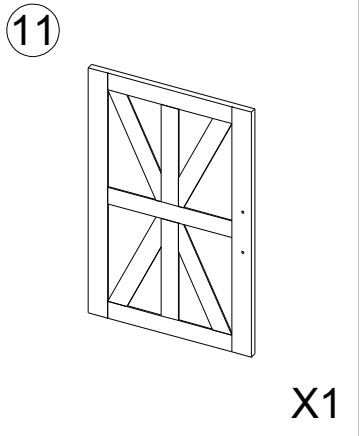
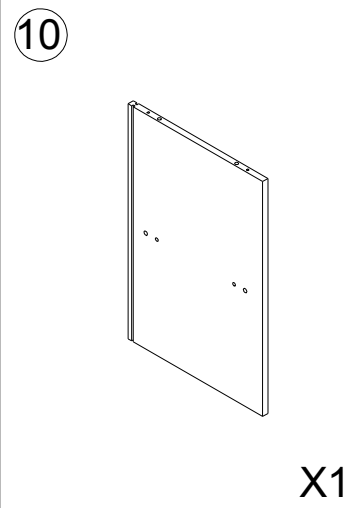
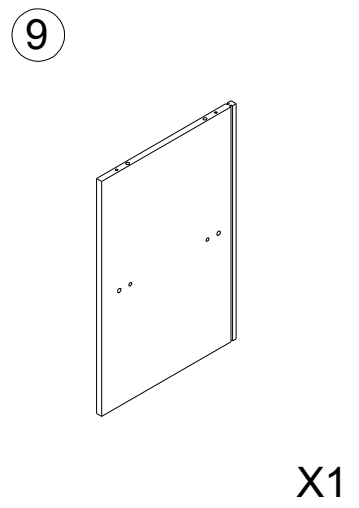
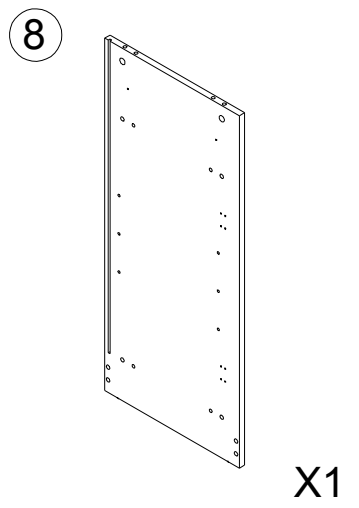
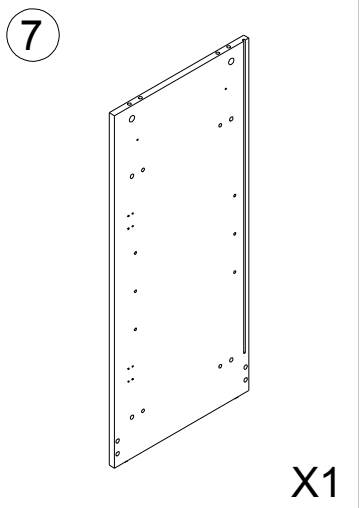
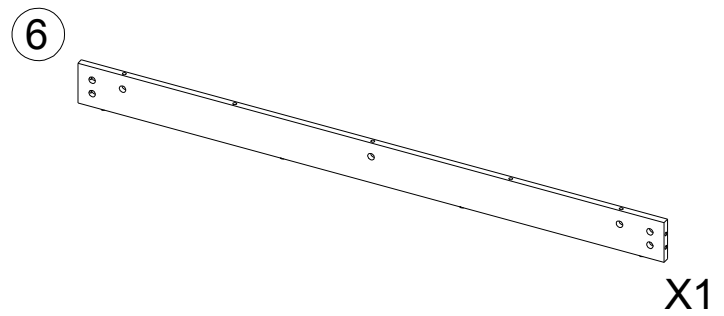
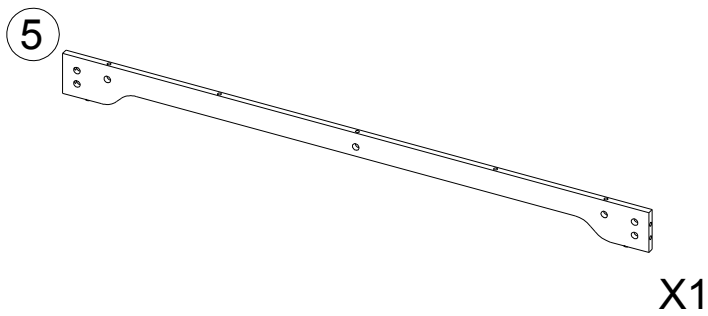
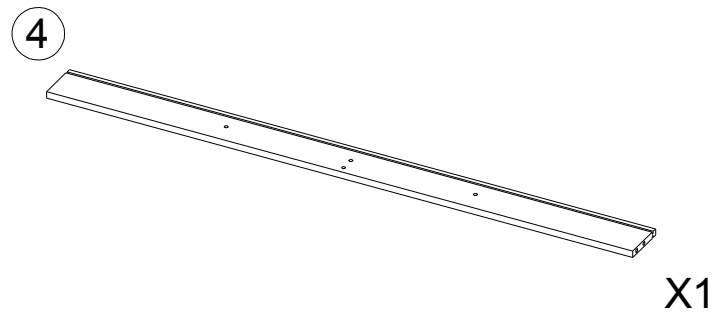
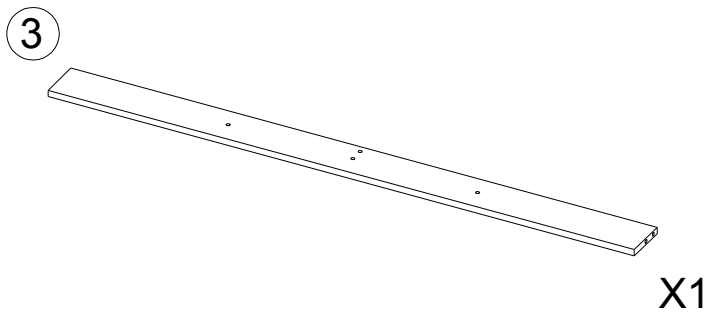
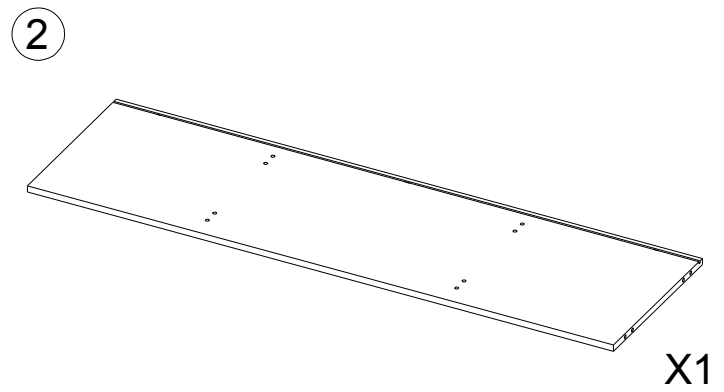
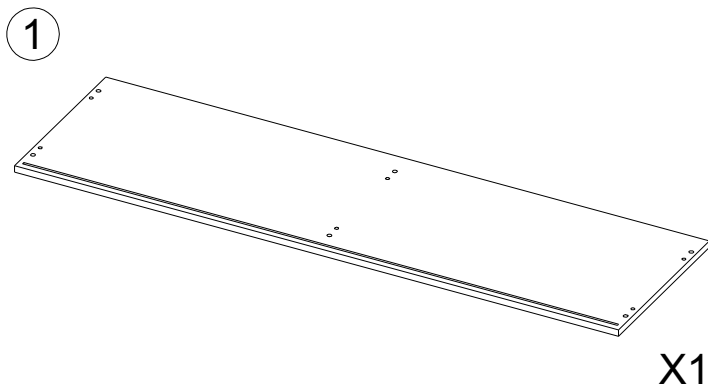
# ASSEMBLY INSTRUCTION



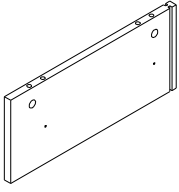
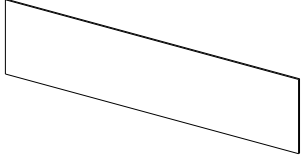
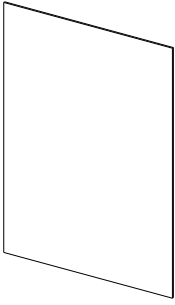
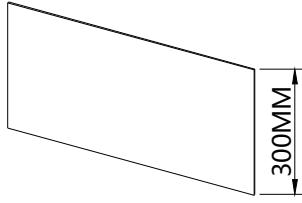
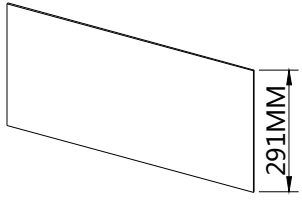
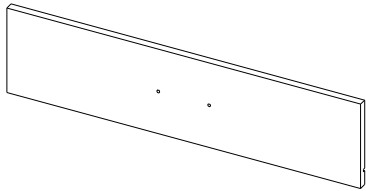
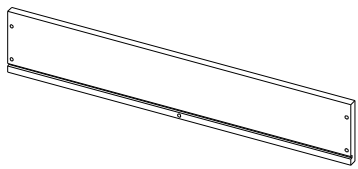
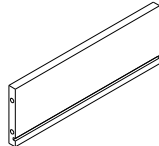
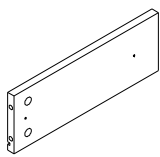
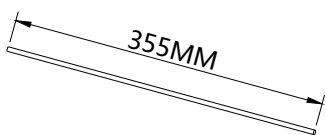
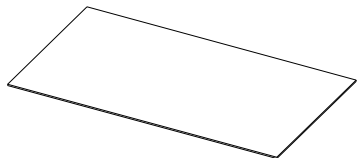
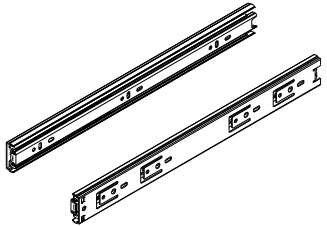
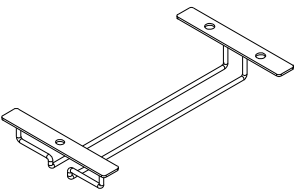
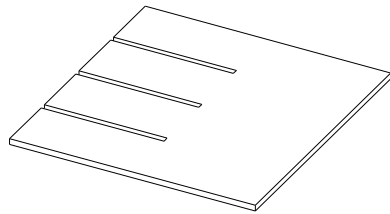
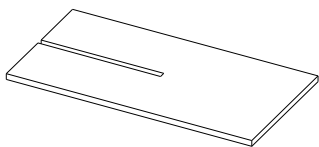
# ASSEMBLY INSTRUCTION

<p><b>A</b> M6*40mm</p>  <p>X40+2</p>	<p><b>B</b> Ø15*9.5mm</p>  <p>X40+2</p>	<p><b>C</b> M4*96mm</p>  <p>X4</p>	<p><b>D</b> M5*40mm</p>  <p>X8+1</p>
<p><b>E</b> M3.5*14mm</p>  <p>X64+2</p>	<p><b>F</b> Ø8*35mm</p>  <p>X32+2</p>	<p><b>G</b> Ø6</p>  <p>X8</p>	<p><b>H</b> M3*14mm</p>  X4  X1 <p>X2</p>
<p><b>J</b></p>  <p>X24+2</p>	<p><b>K</b> Ø21*0.3mm</p>  <p>X40+2</p>	<p><b>L</b> M4*18mm</p>  <p>X8</p>	<p><b>M</b> M7*40mm</p>  <p>X10+1</p>
<p><b>N</b> M6*10mm</p>  <p>X12+1</p>	<p><b>P</b></p>  <p>X4</p>	 <p>X1</p>	 <p>4# 3#</p> <p>X1</p>

# ASSEMBLY INSTRUCTION

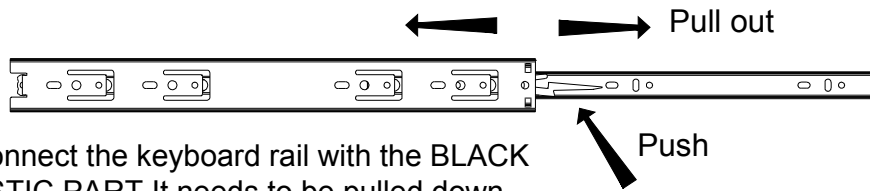


# ASSEMBLY INSTRUCTION

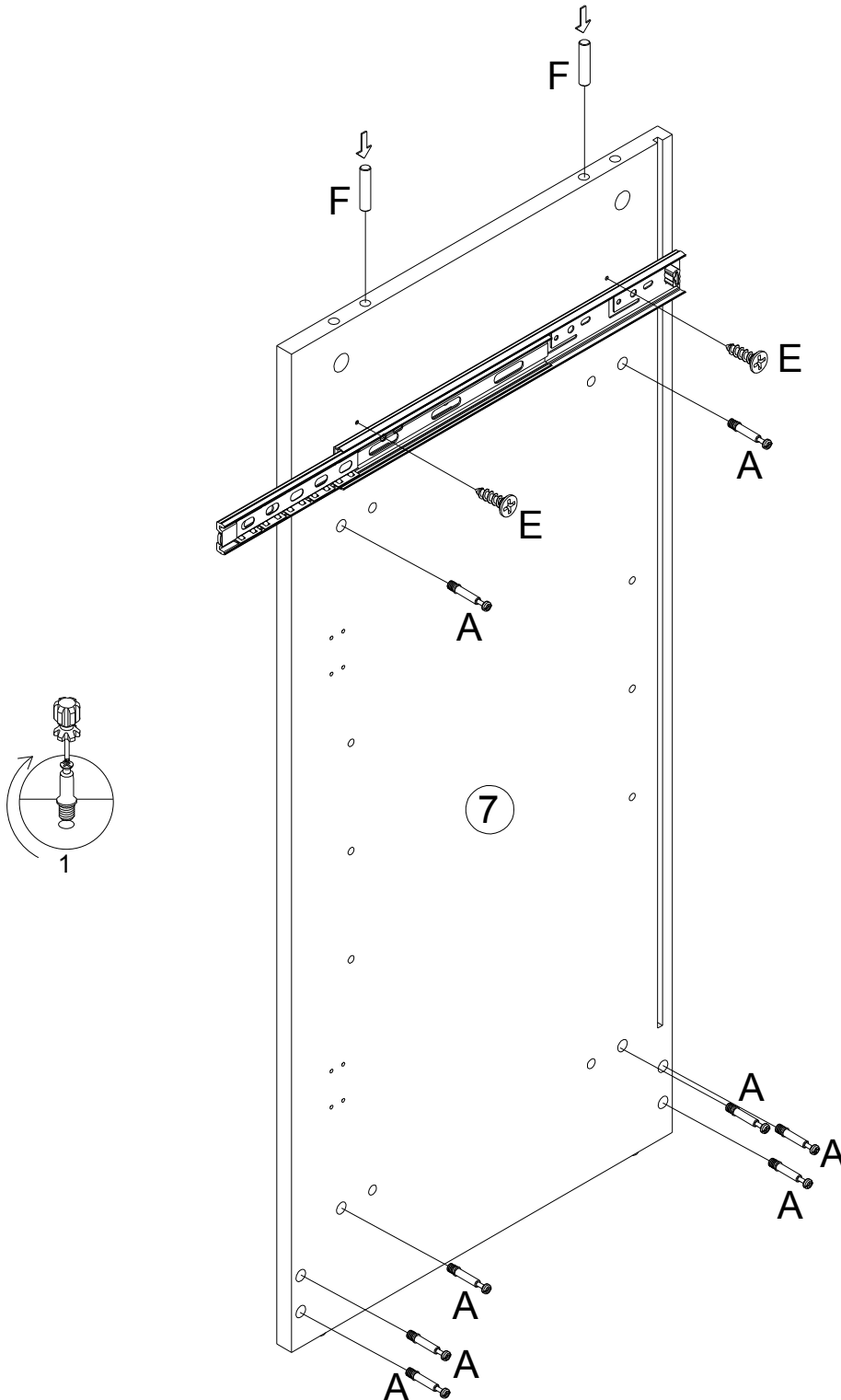
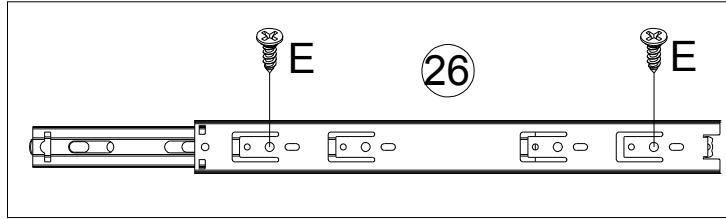
<p>15</p>  <p>X1</p>	<p>16</p>  <p>X2</p>	<p>17</p>  <p>X2</p>
<p>18</p>  <p>X1</p>	<p>19</p>  <p>X1</p>	<p>20</p>  <p>X2</p>
<p>21</p>  <p>X2</p>	<p>22</p>  <p>X2</p>	<p>23</p>  <p>X2</p>
<p>24</p>  <p>X2</p>	<p>25</p>  <p>X2</p>	<p>26</p>  <p>X2</p>
<p>27</p>  <p>X4</p>	<p>28</p>  <p>X6</p>	<p>29</p>  <p>X4</p>

# ASSEMBLY INSTRUCTION

## STEP 1



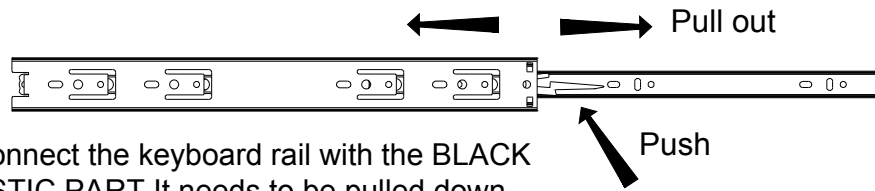
Disconnect the keyboard rail with the BLACK PLASTIC PART. It needs to be pulled down to disconnect the runners.



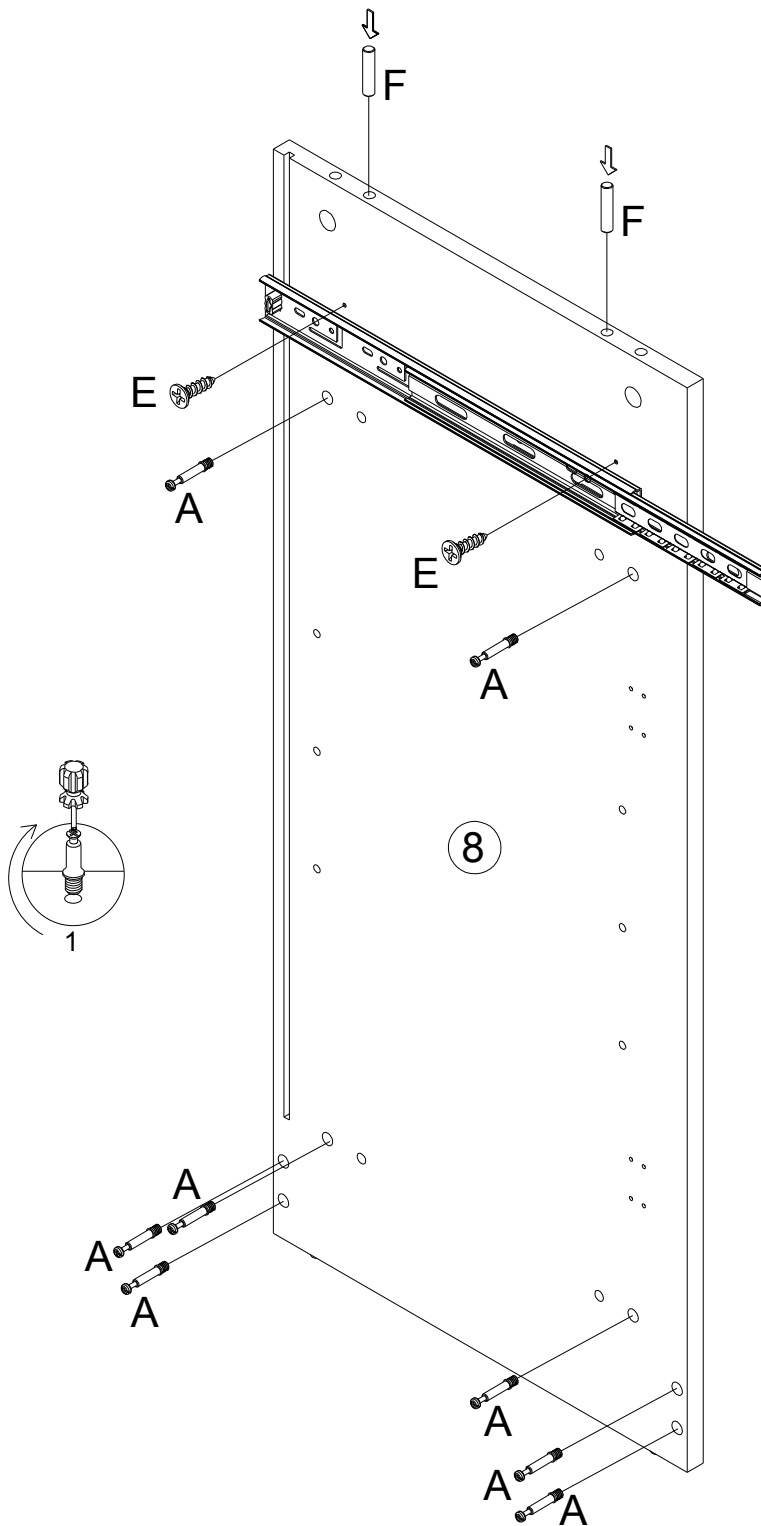
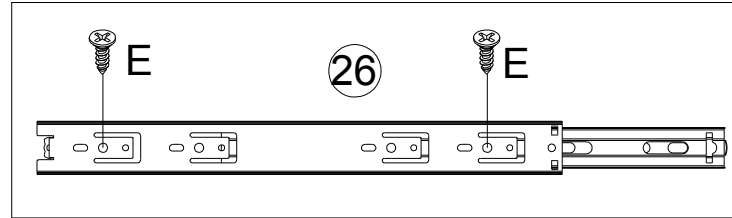
A	M6*40
	X8
E	M3.5*14
	X2
F	Ø8*35
	X2

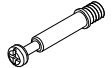

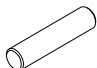
# ASSEMBLY INSTRUCTION

## STEP 2



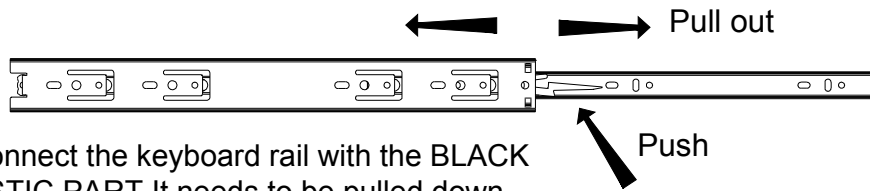
Disconnect the keyboard rail with the BLACK PLASTIC PART. It needs to be pulled down to disconnect the runners.



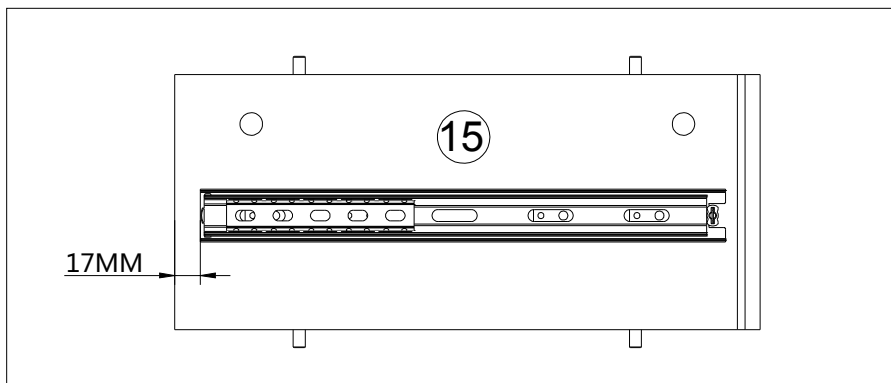
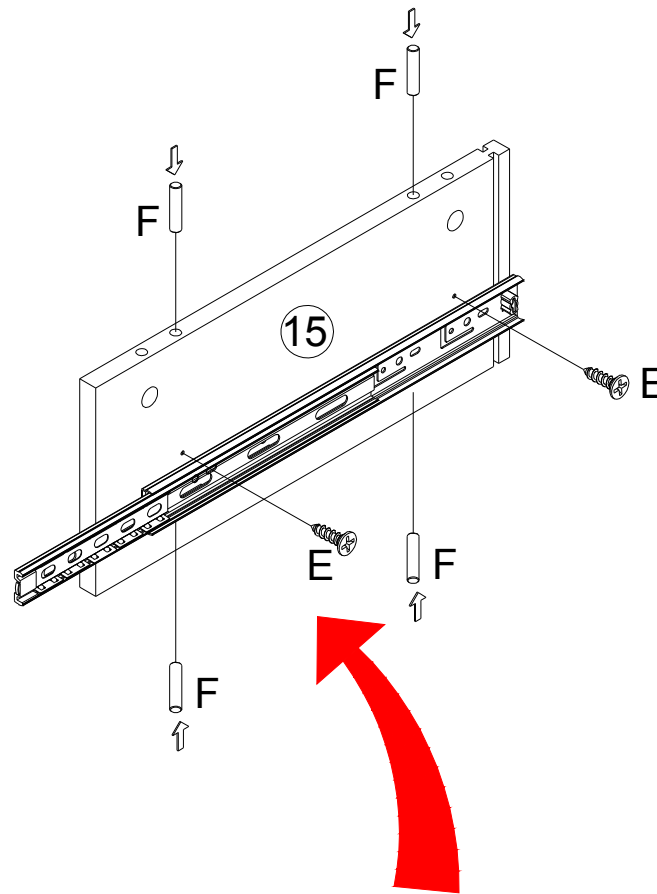
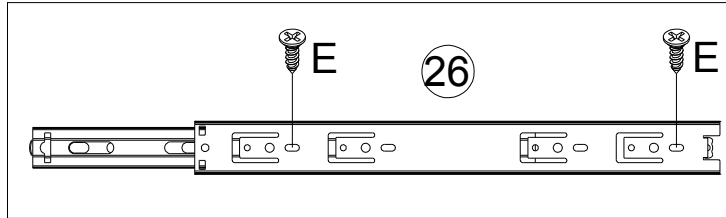
A	M6*40
	X8
E	M3.5*14
	X2
F	Ø8*35
	X2


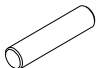
# ASSEMBLY INSTRUCTION

## STEP 3



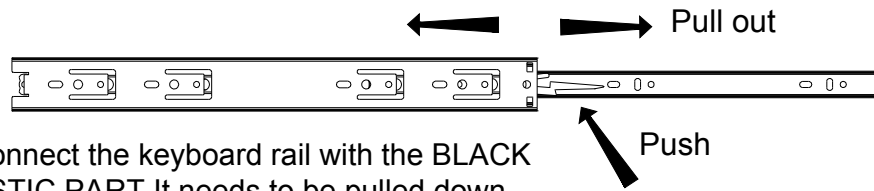
Disconnect the keyboard rail with the BLACK PLASTIC PART. It needs to be pulled down to disconnect the runners.



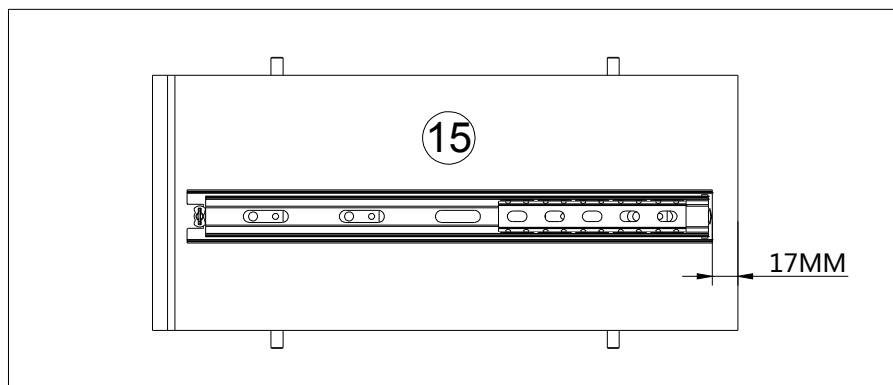
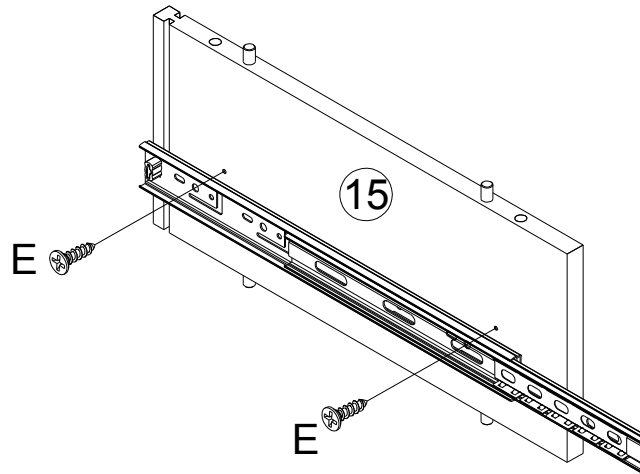
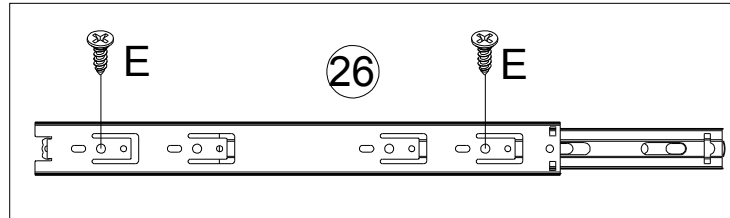
E	M3.5*14
	X2
F	Ø8*35
	X4

# ASSEMBLY INSTRUCTION

## STEP 4



Disconnect the keyboard rail with the BLACK PLASTIC PART. It needs to be pulled down to disconnect the runners.



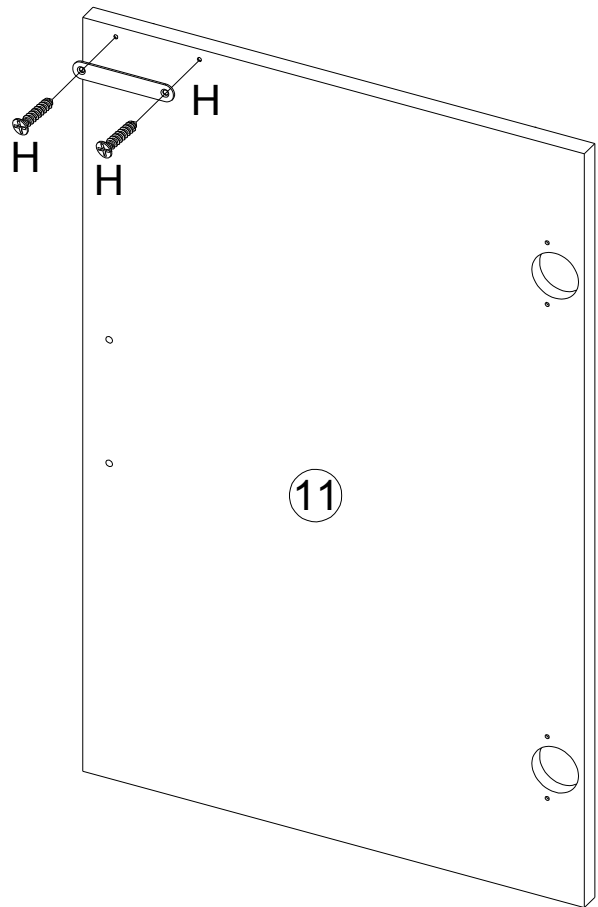
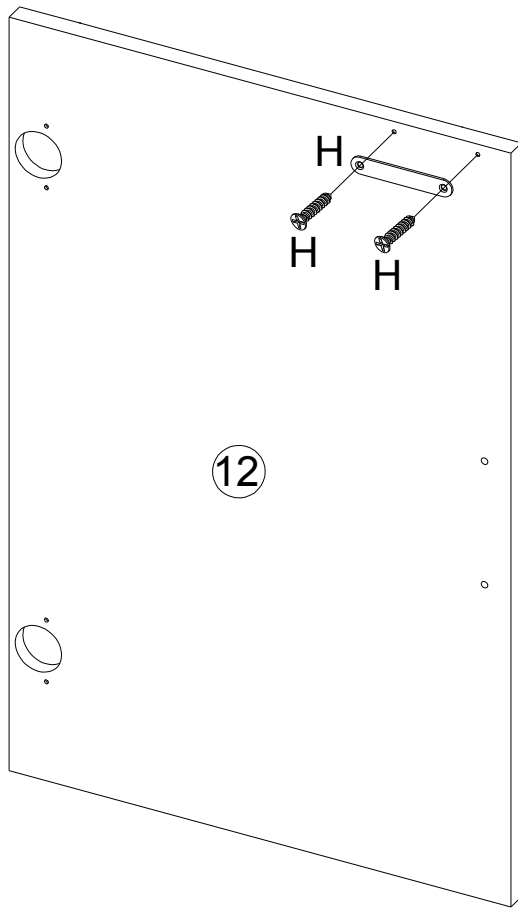
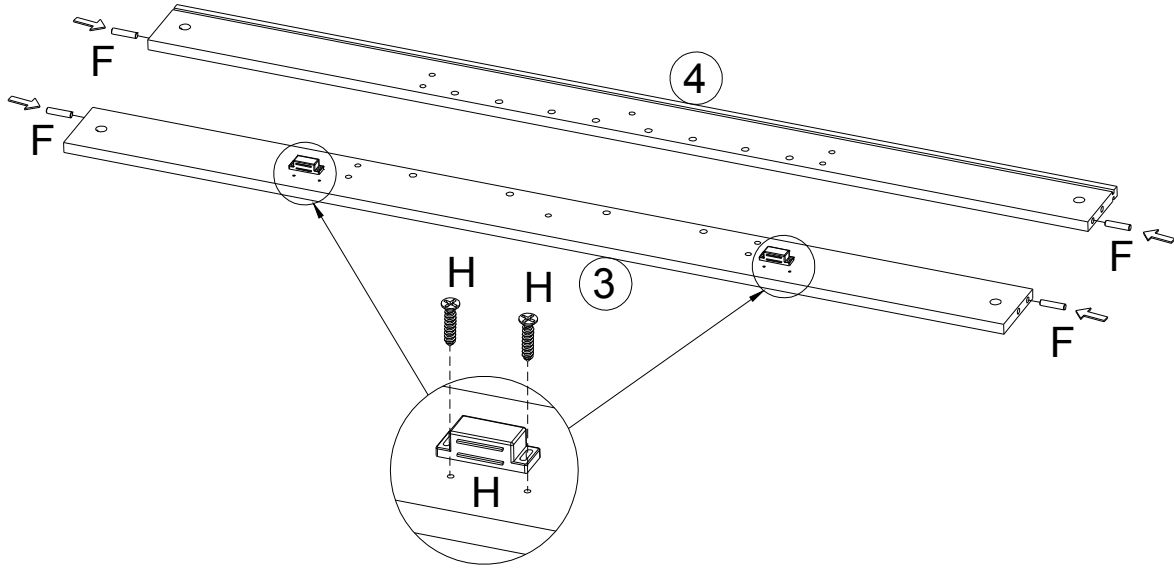
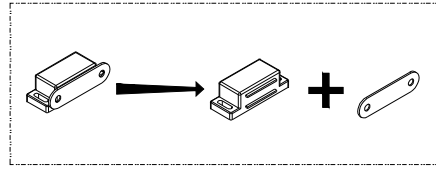
E M3.5\*14


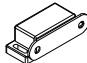



X2

# ASSEMBLY INSTRUCTION

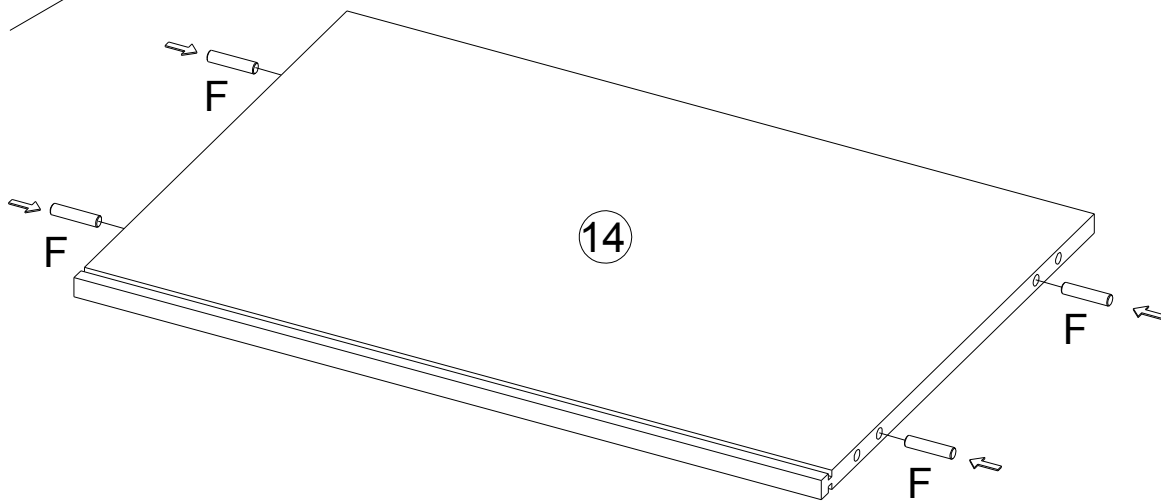
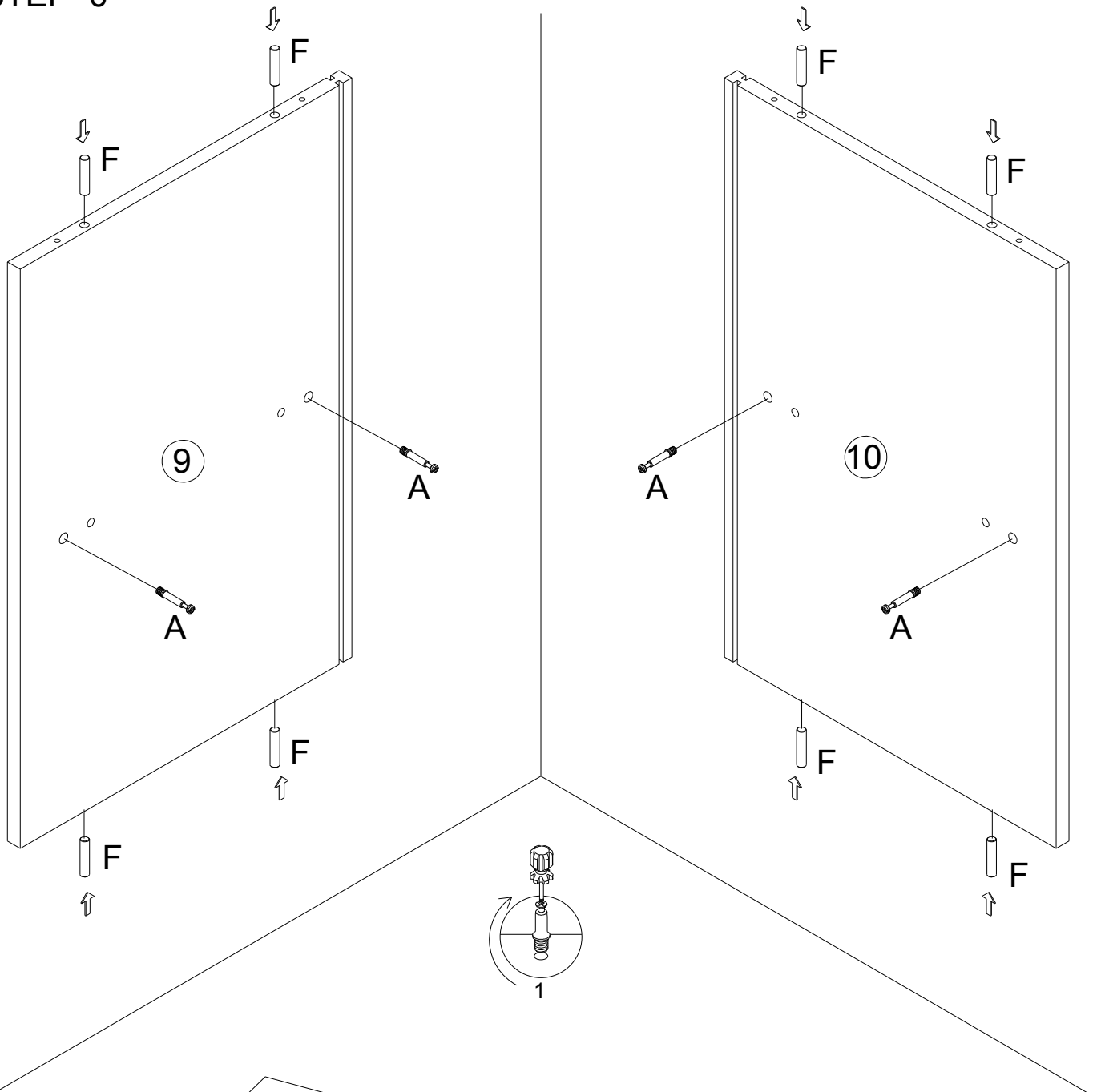
## STEP 5

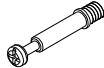
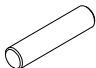


H	ST3*14	H		F	Ø8*35
	X8		X2		X4

# ASSEMBLY INSTRUCTION

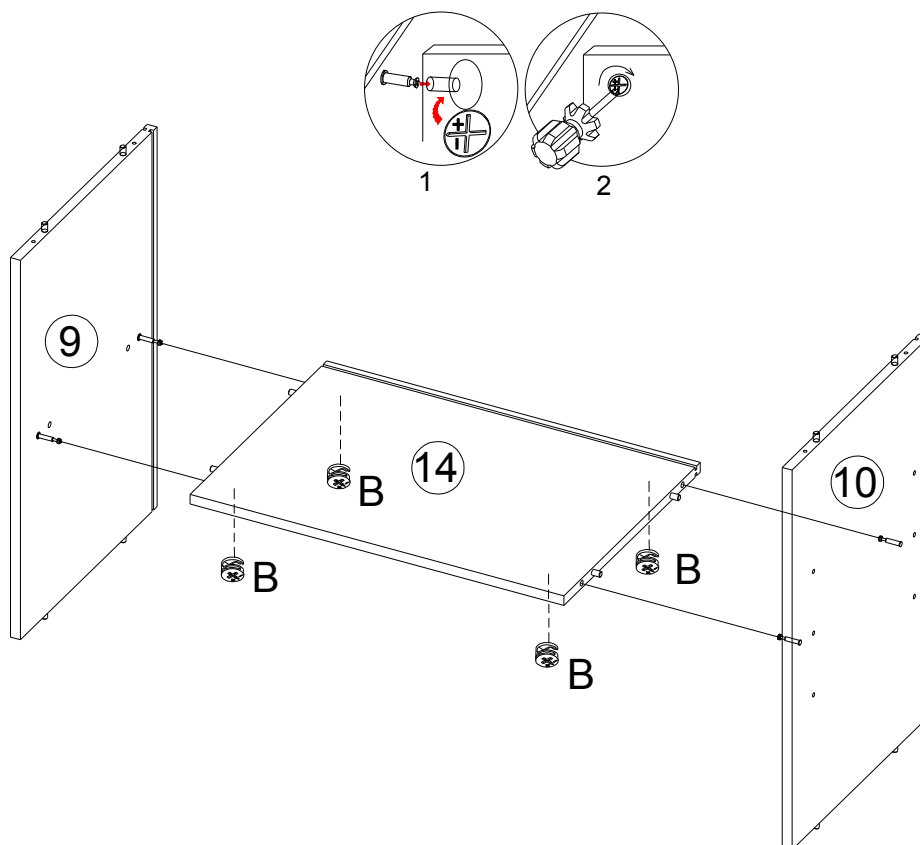
STEP 6



A	M6*40
	X4
F	Ø8*35
	X12

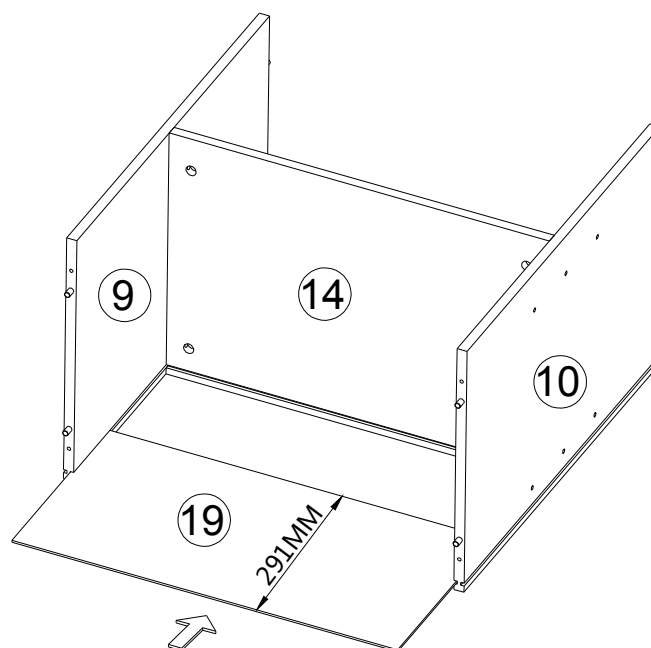
# ASSEMBLY INSTRUCTION

## STEP 7



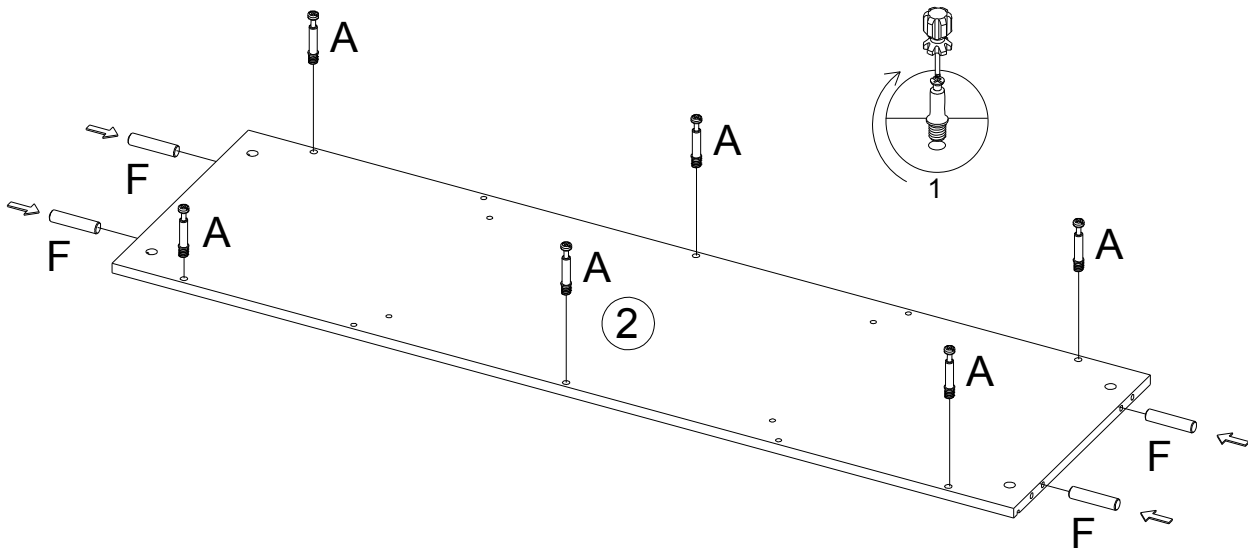
B Ø15\*9.5  
X4

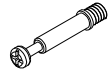
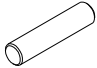
## STEP 8



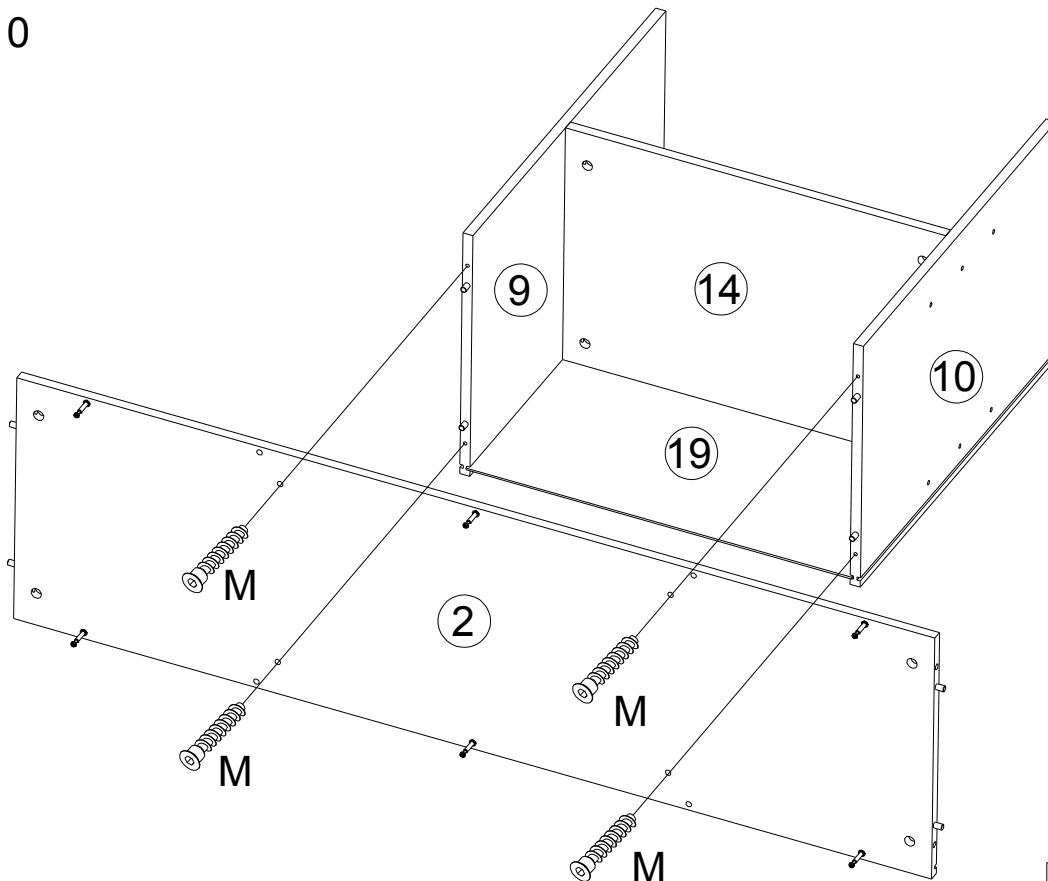
# ASSEMBLY INSTRUCTION

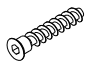
## STEP 9



A	M6*40
	X6
F	Ø8*35
	X4

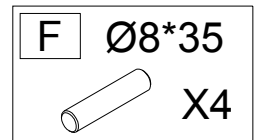
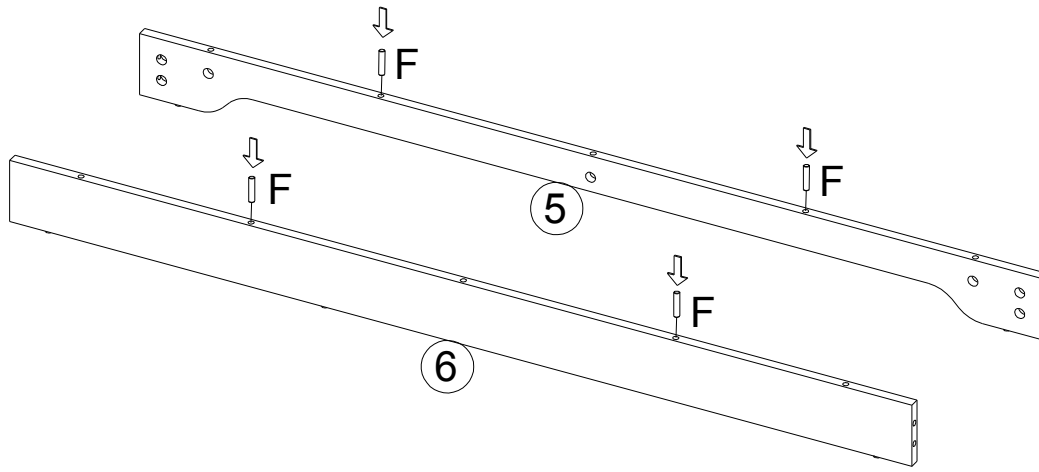
## STEP 10



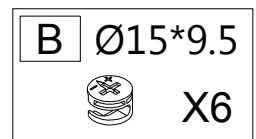
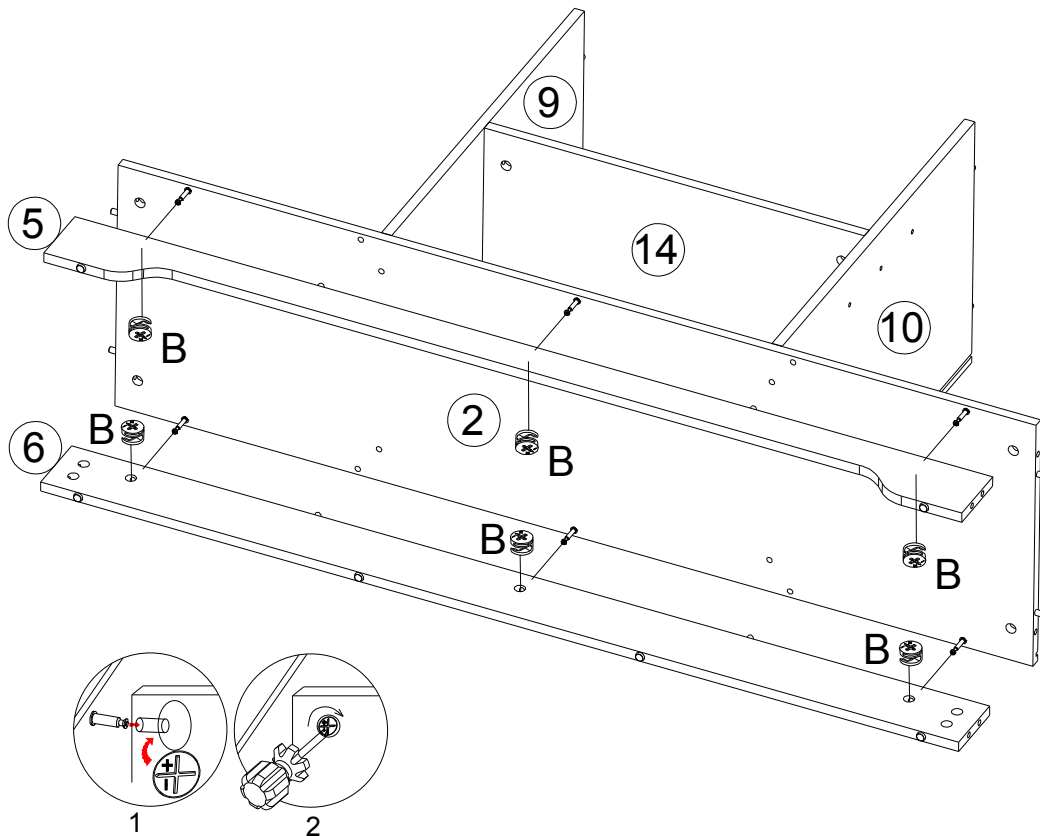
M	M7*40
	X4

# ASSEMBLY INSTRUCTION

## STEP 11

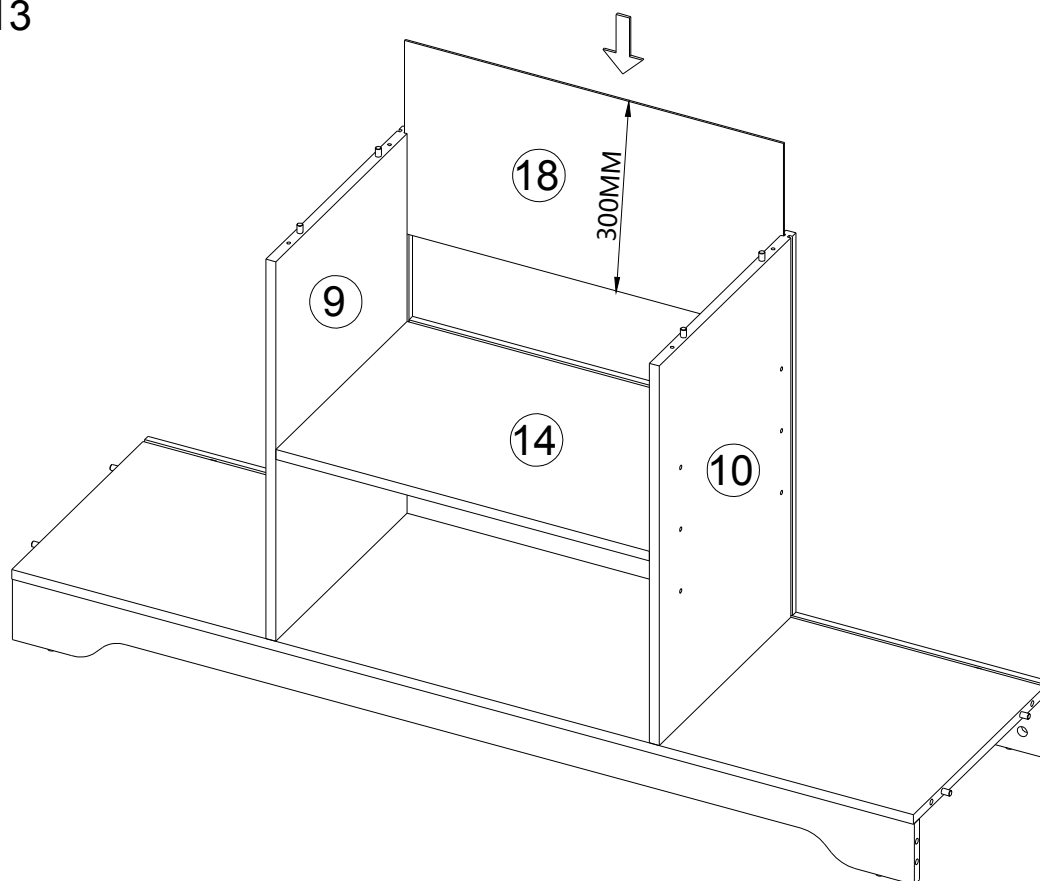


## STEP 12

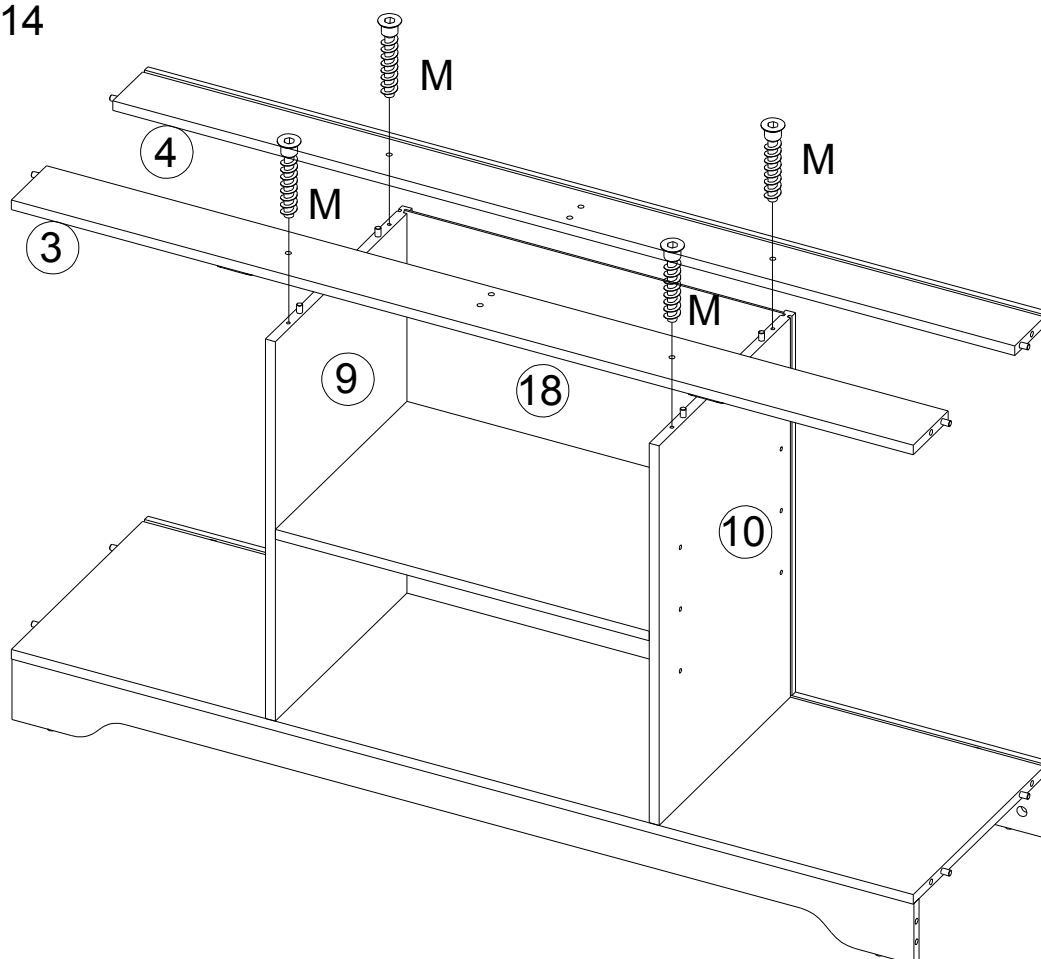


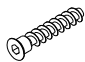
# ASSEMBLY INSTRUCTION

## STEP 13



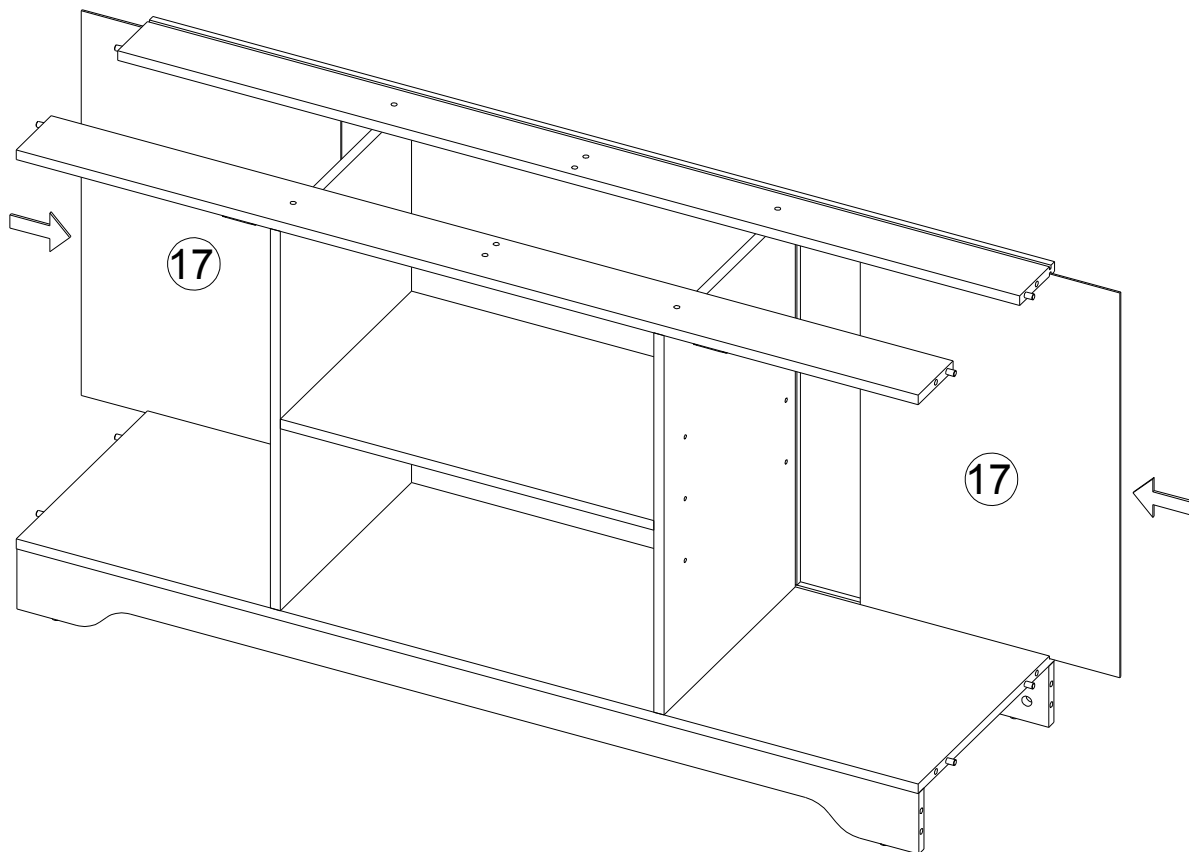
## STEP 14



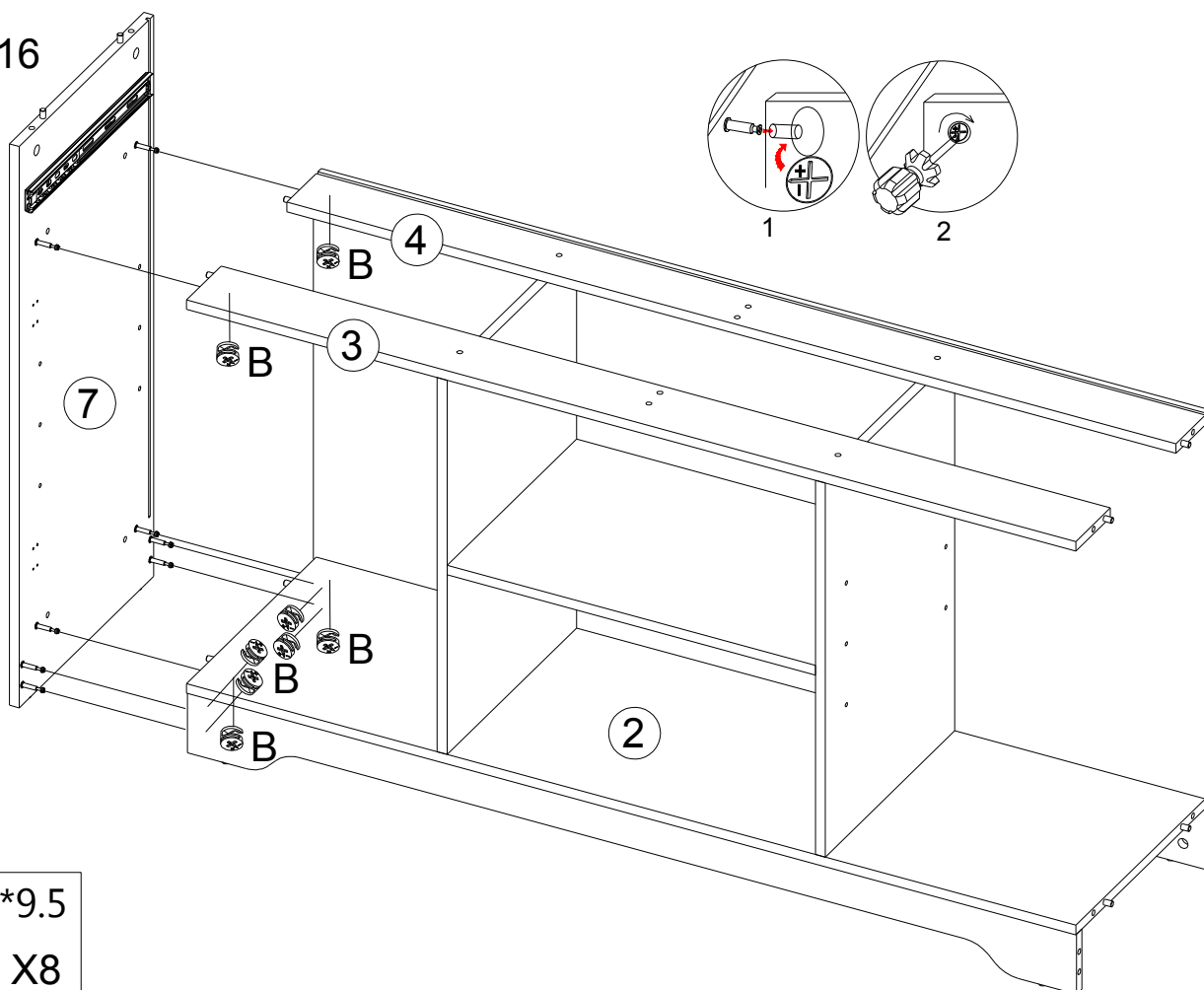
M	M7*40
	X4

# ASSEMBLY INSTRUCTION

## STEP 15



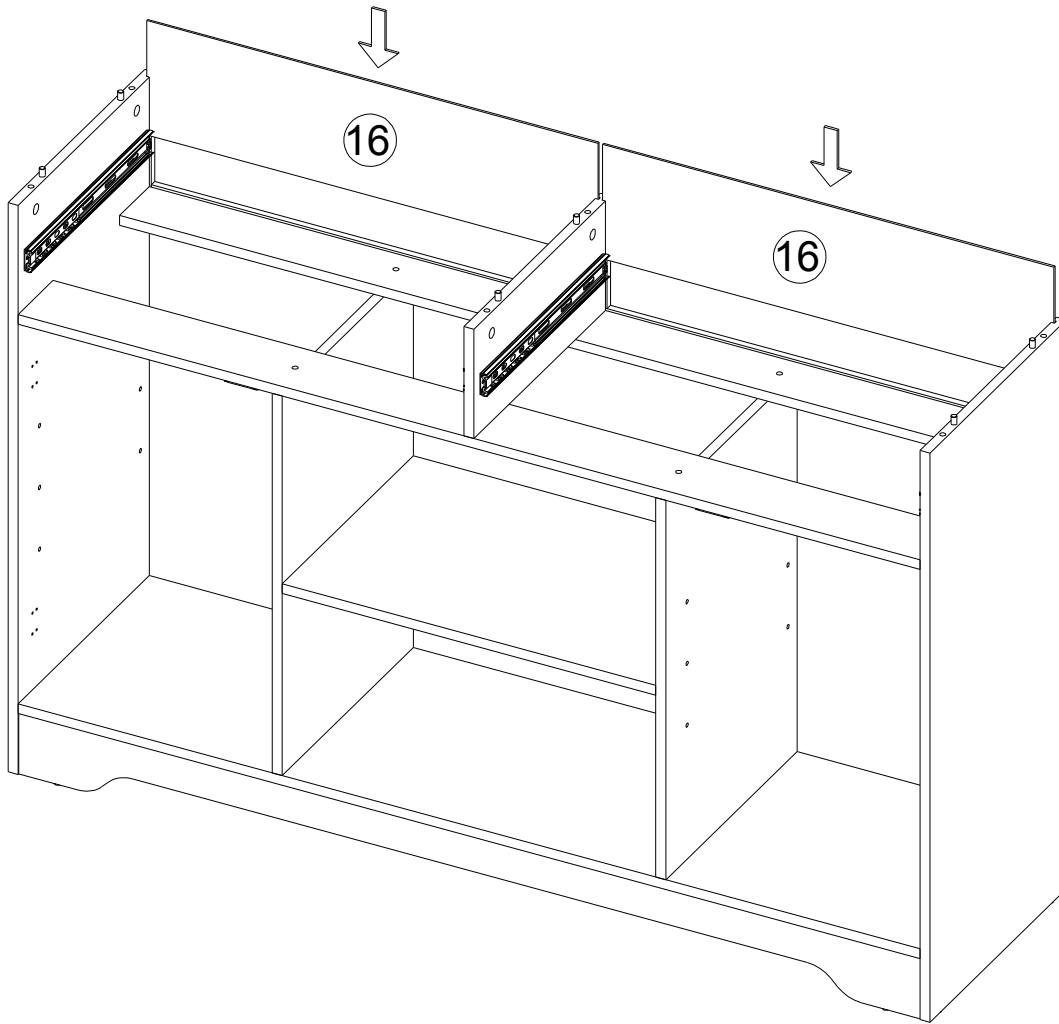
## STEP 16



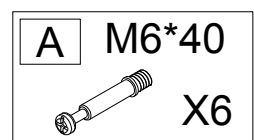
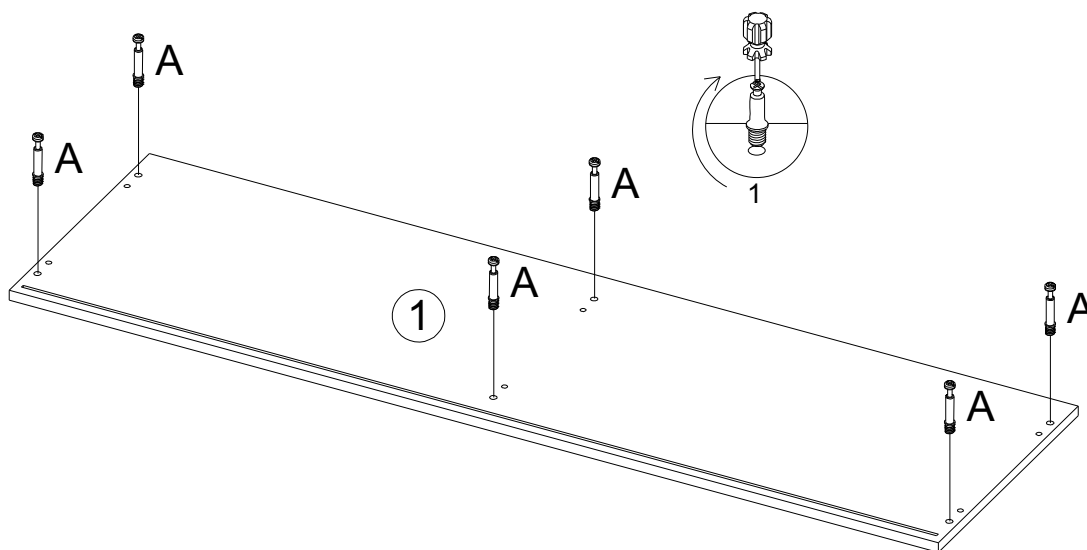


# ASSEMBLY INSTRUCTION

## STEP 19

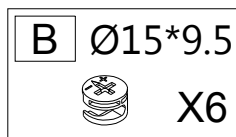
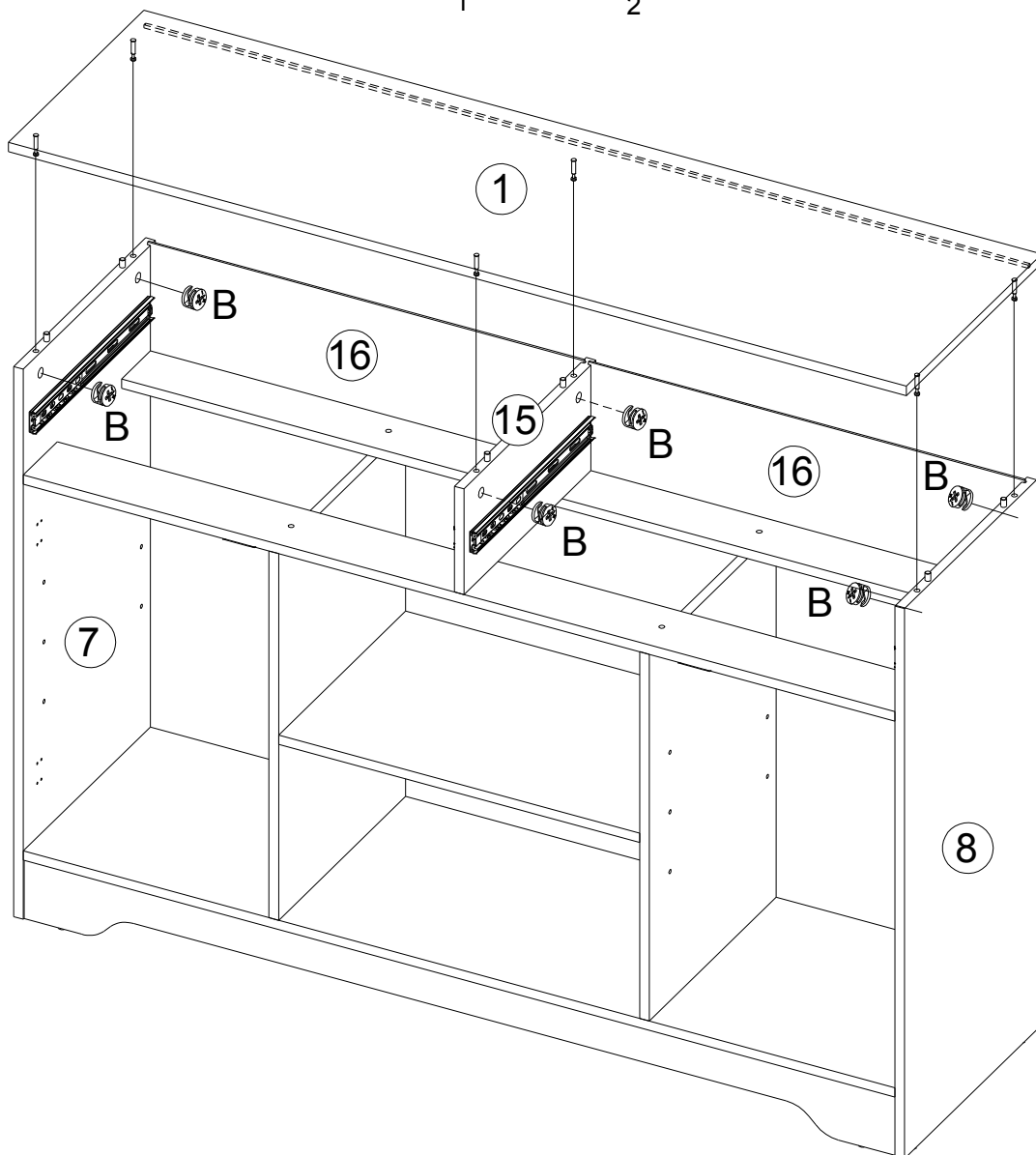
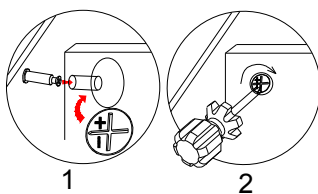


## STEP 20



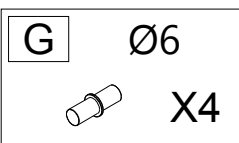
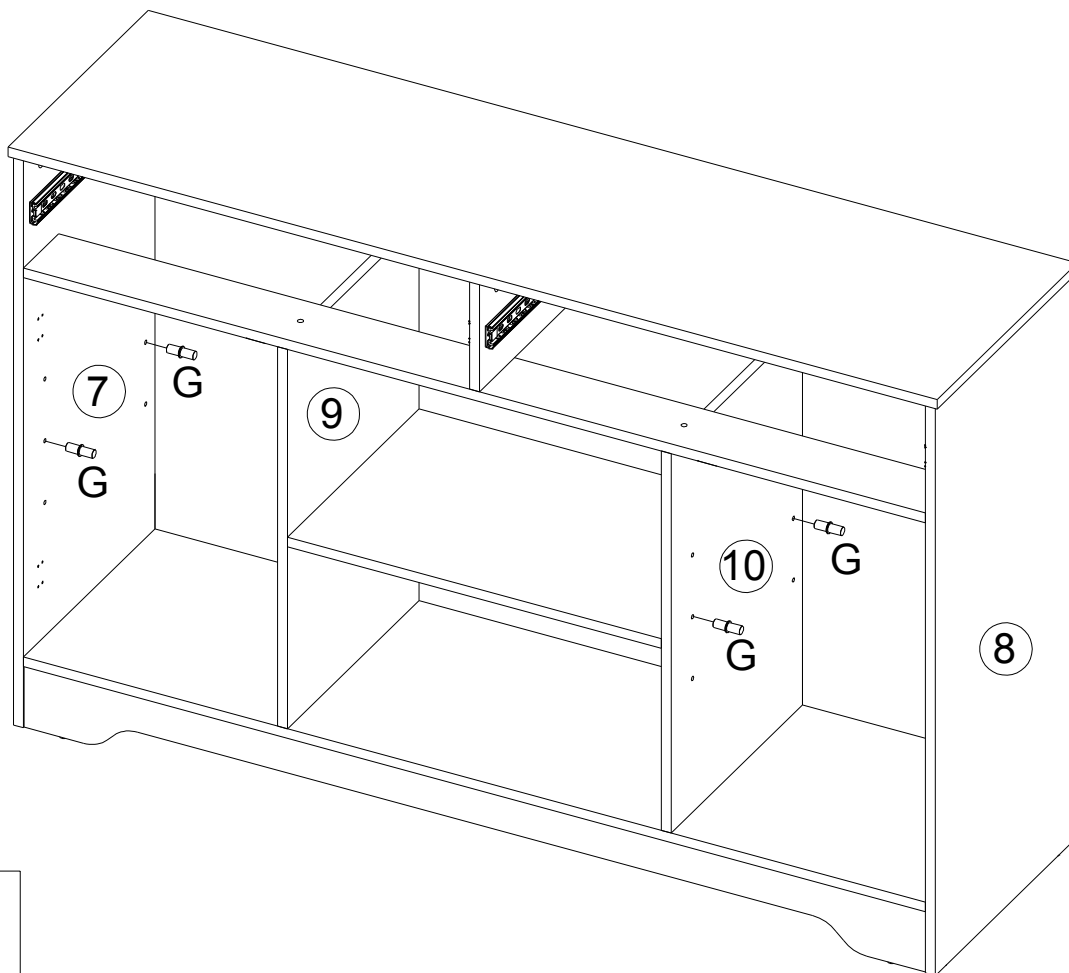
# ASSEMBLY INSTRUCTION

## STEP 21

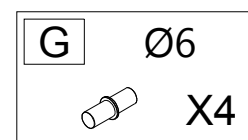
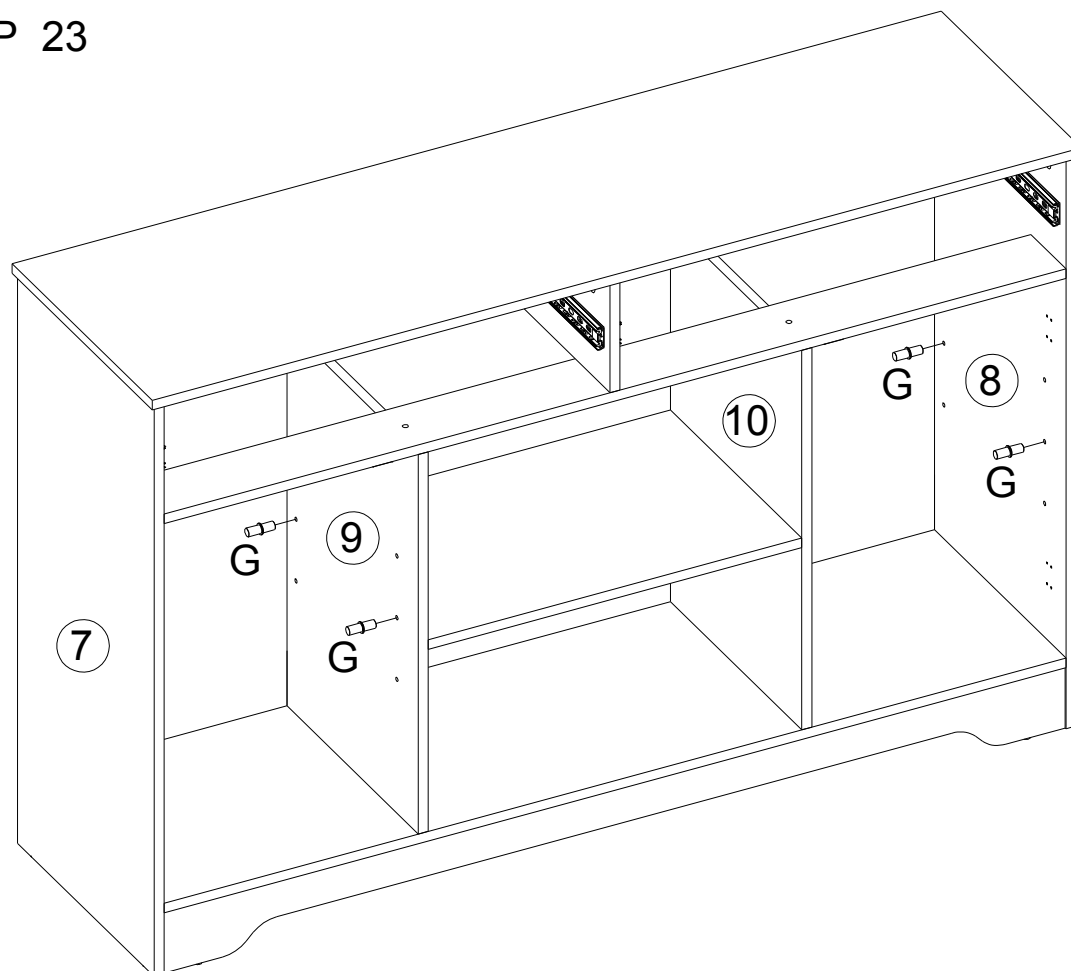


# ASSEMBLY INSTRUCTION

## STEP 22

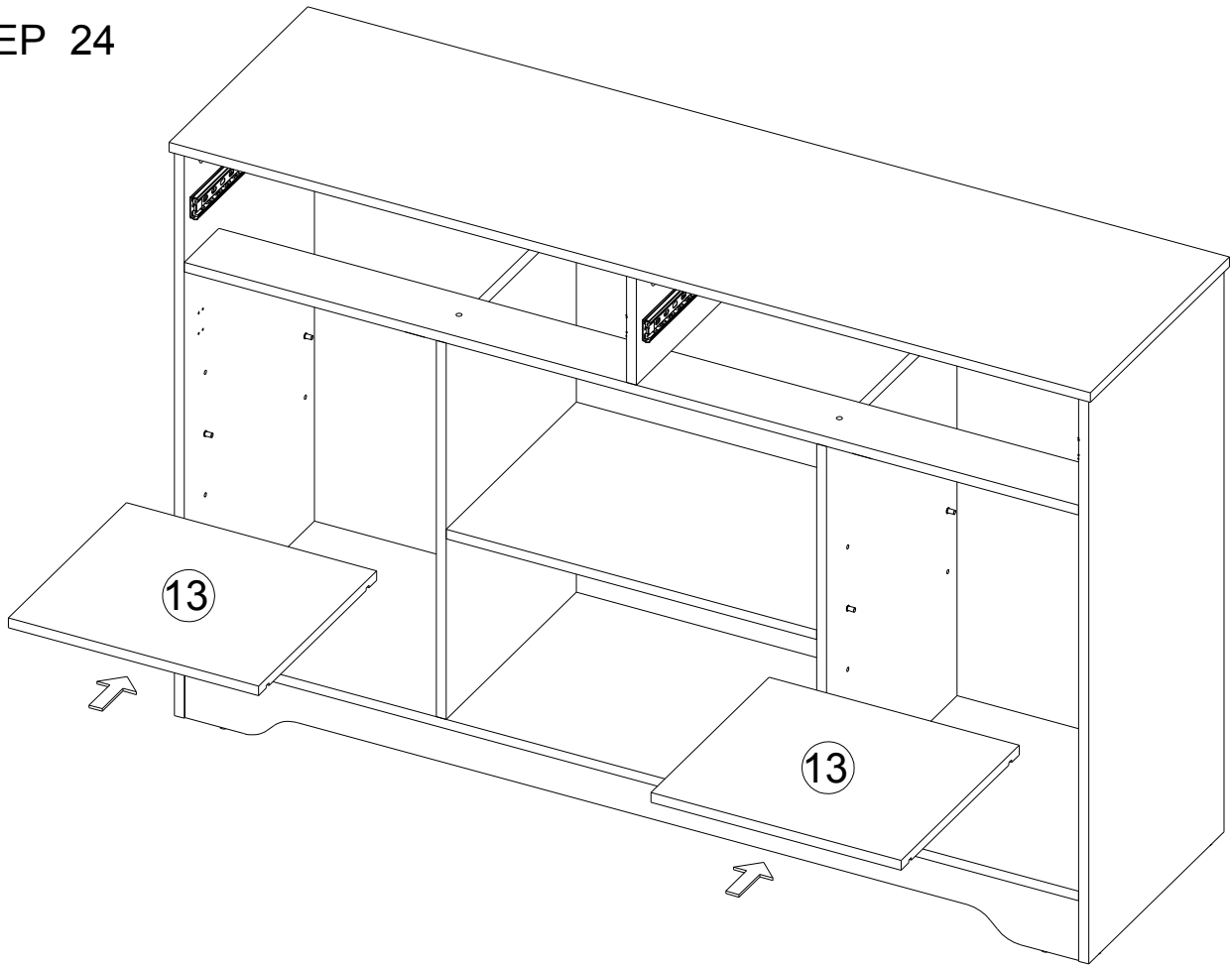


## STEP 23

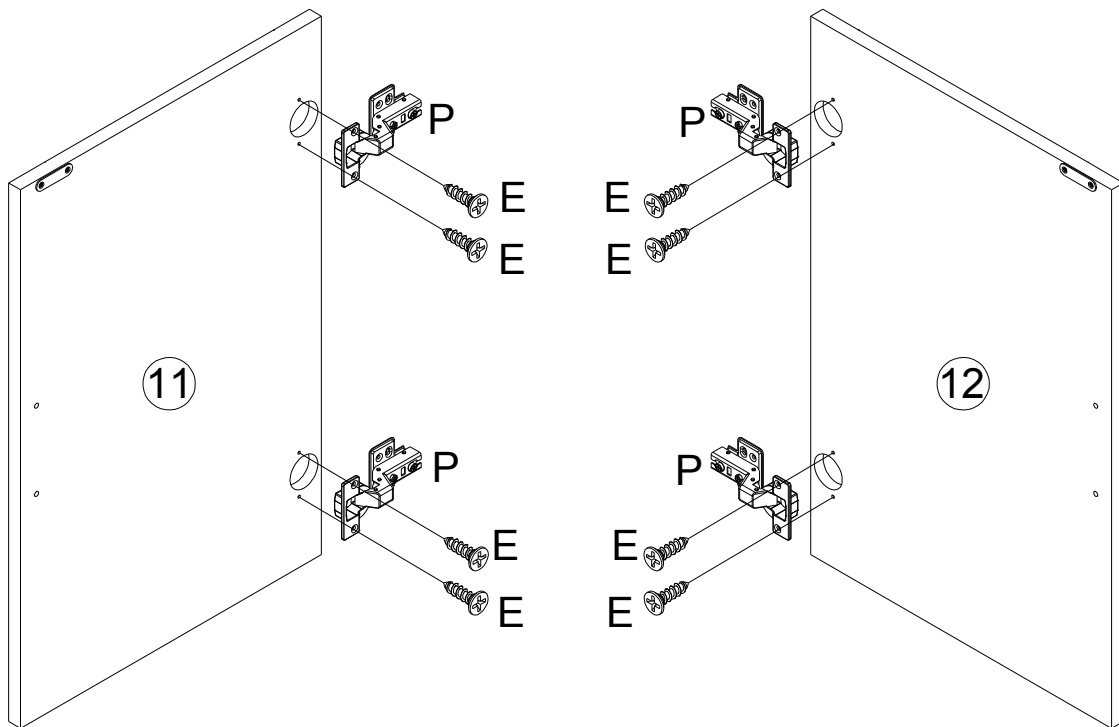




# ASSEMBLY INSTRUCTION

## STEP 24



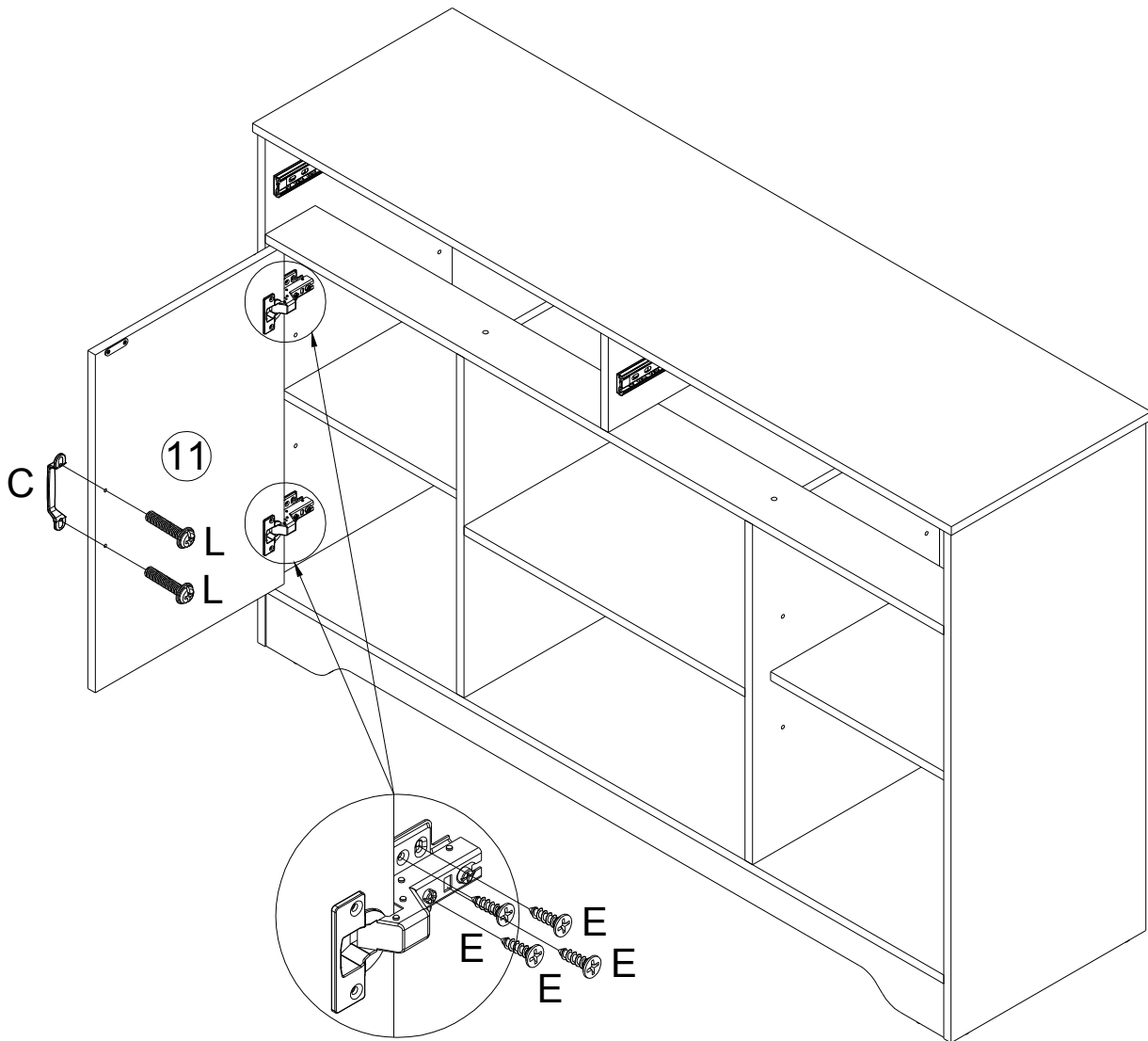
## STEP 25



E	M3.5*14
	X8
P	
	X4

# ASSEMBLY INSTRUCTION

## STEP 26



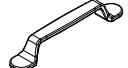


Adjust this screw to make the door turn left or right

Adjust this screw to make the door forward or backward

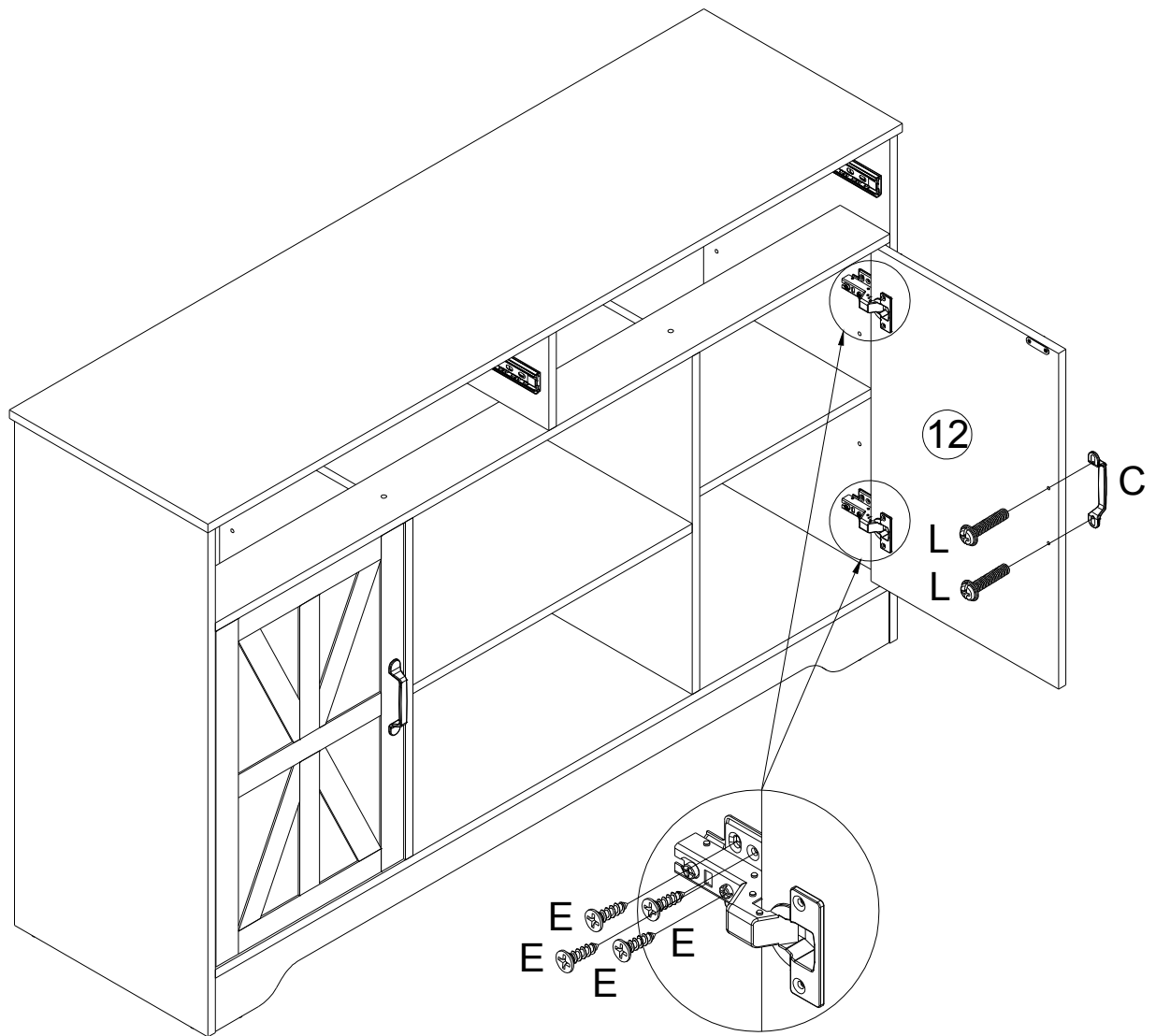


Note: After the door pane is installed, if the gap of the door is too large or too small, you can adjust this screw to adjust the gap of the door.

E	M3.5*14
	X8
L	M4*18
	X2
C	M4*96
	X1

# ASSEMBLY INSTRUCTION

## STEP 27



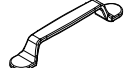


Adjust this screw to make the door turn left or right

Adjust this screw to make the door forward or backward

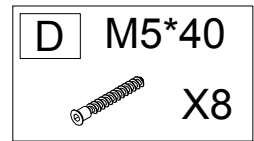
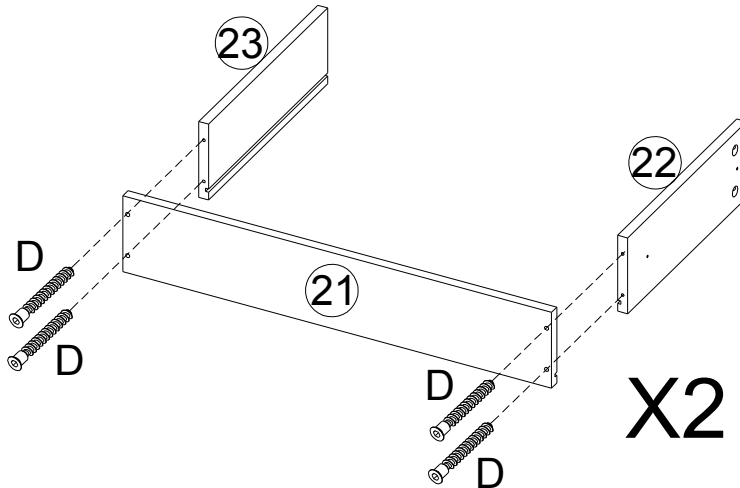


Note: After the door pane is installed, if the gap of the door is too large or too small, you can adjust this screw to adjust the gap of the door.

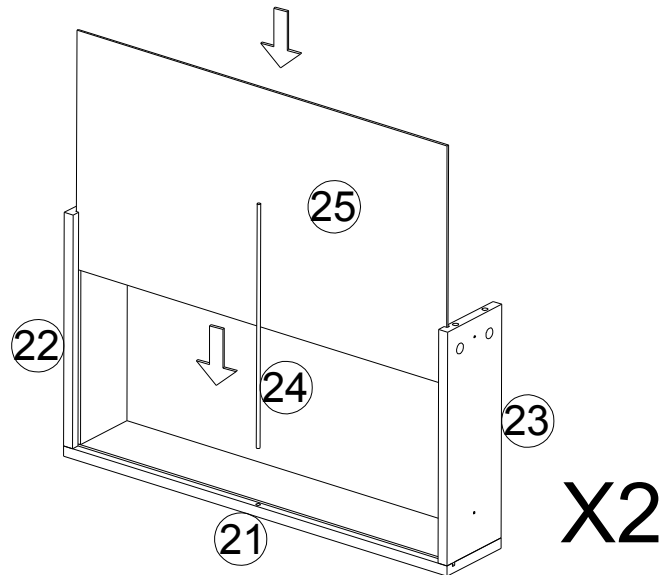
E	M3.5*14
	X8
L	M4*18
	X2
C	M4*96
	X1

# ASSEMBLY INSTRUCTION

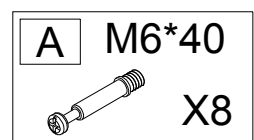
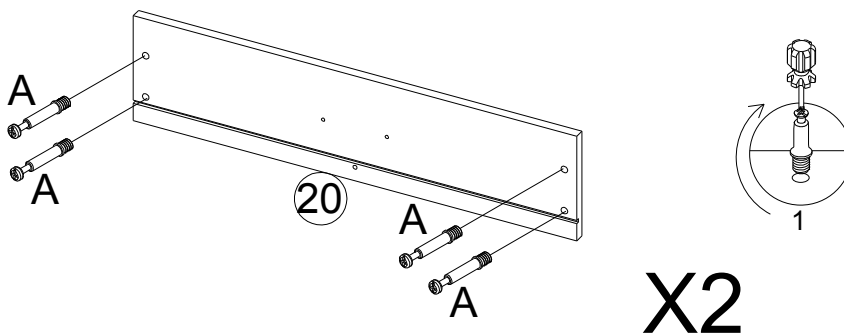
## STEP 28



## STEP 29

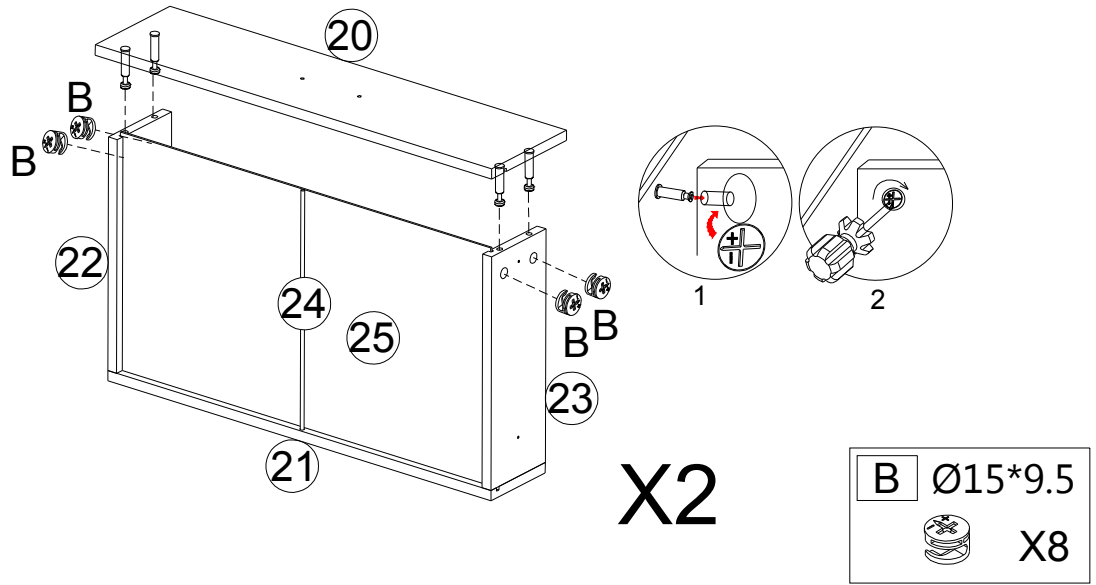


## STEP 30

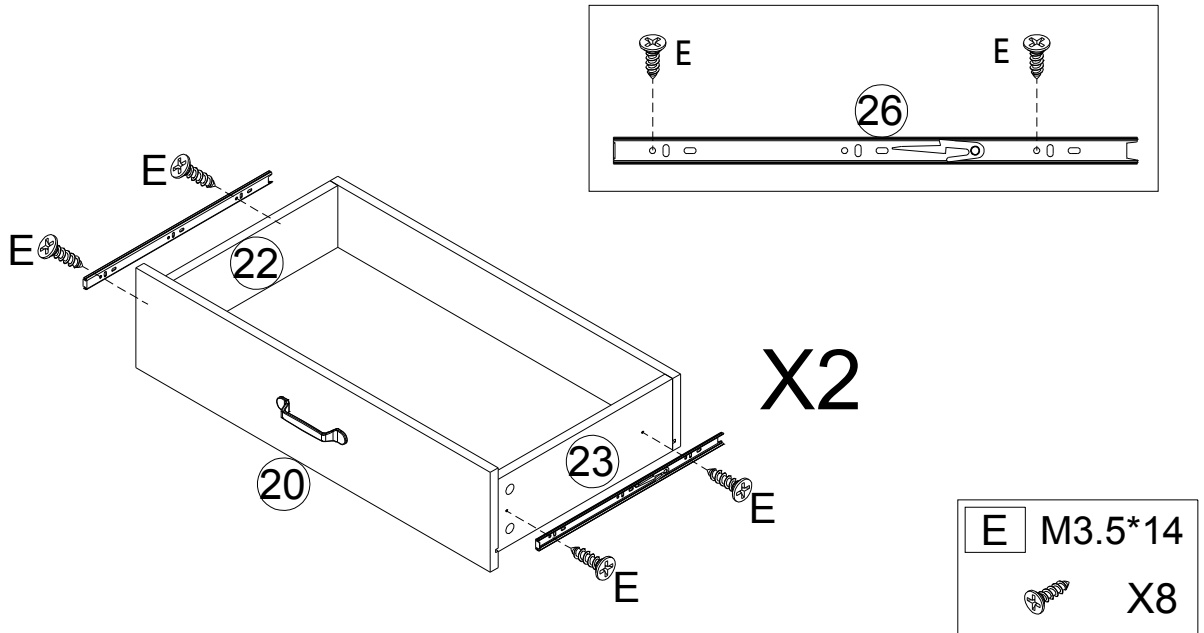


# ASSEMBLY INSTRUCTION

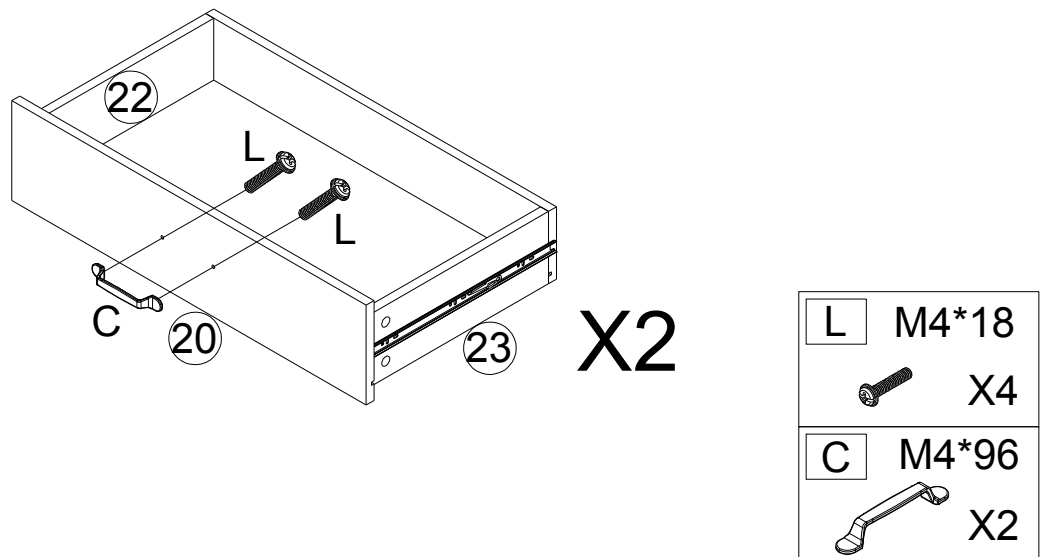
## STEP 31



## STEP 32

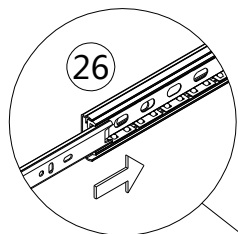


## STEP 33

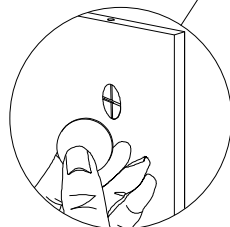
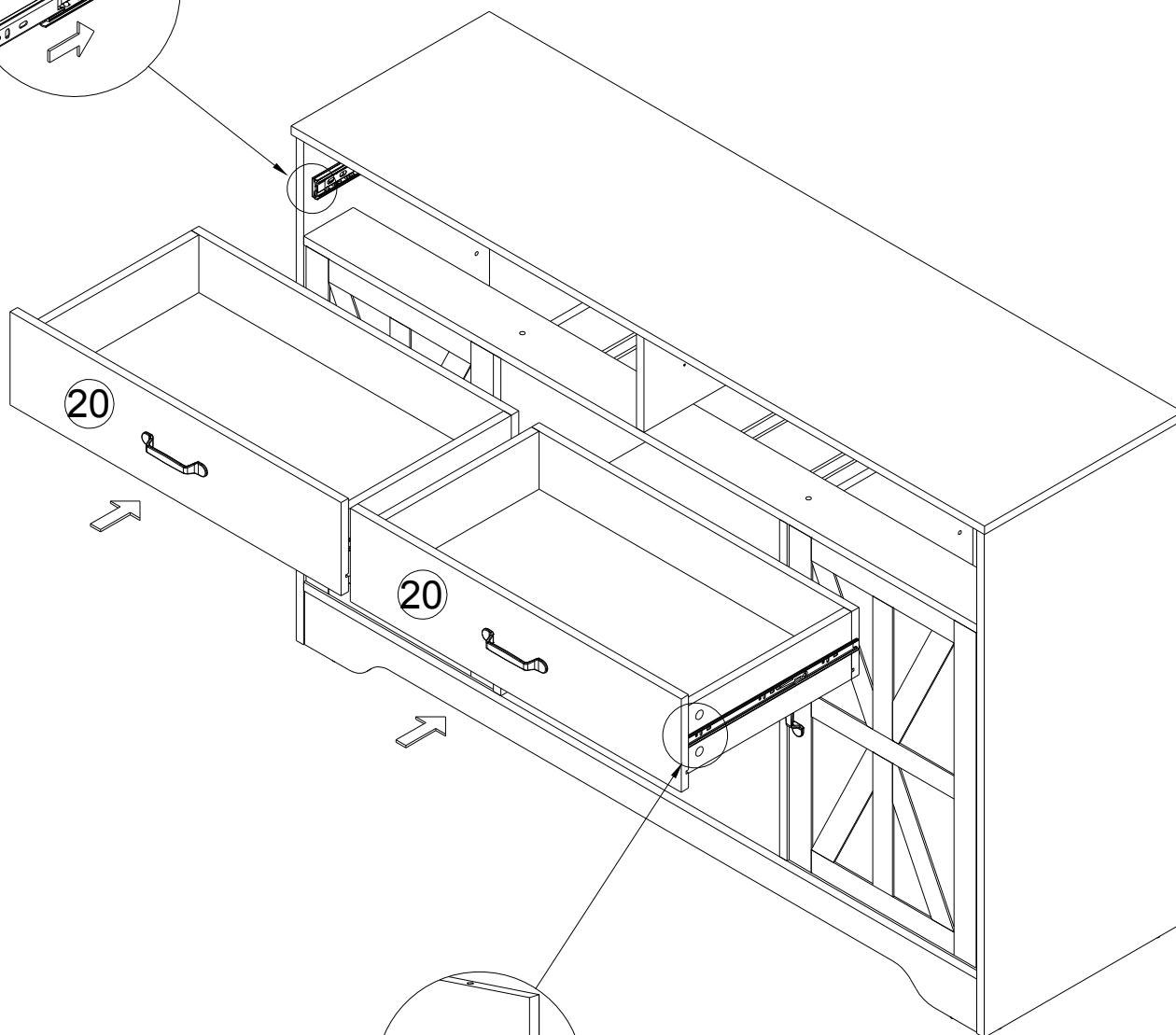


# ASSEMBLY INSTRUCTION


## STEP 34



Move the movable iron piece with the small iron ball to the front and align the mounting rail.

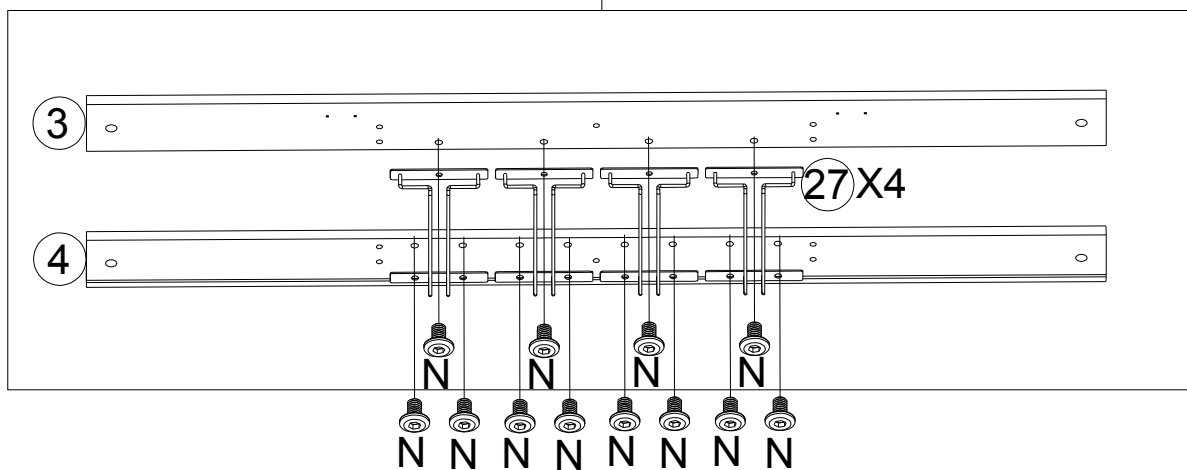
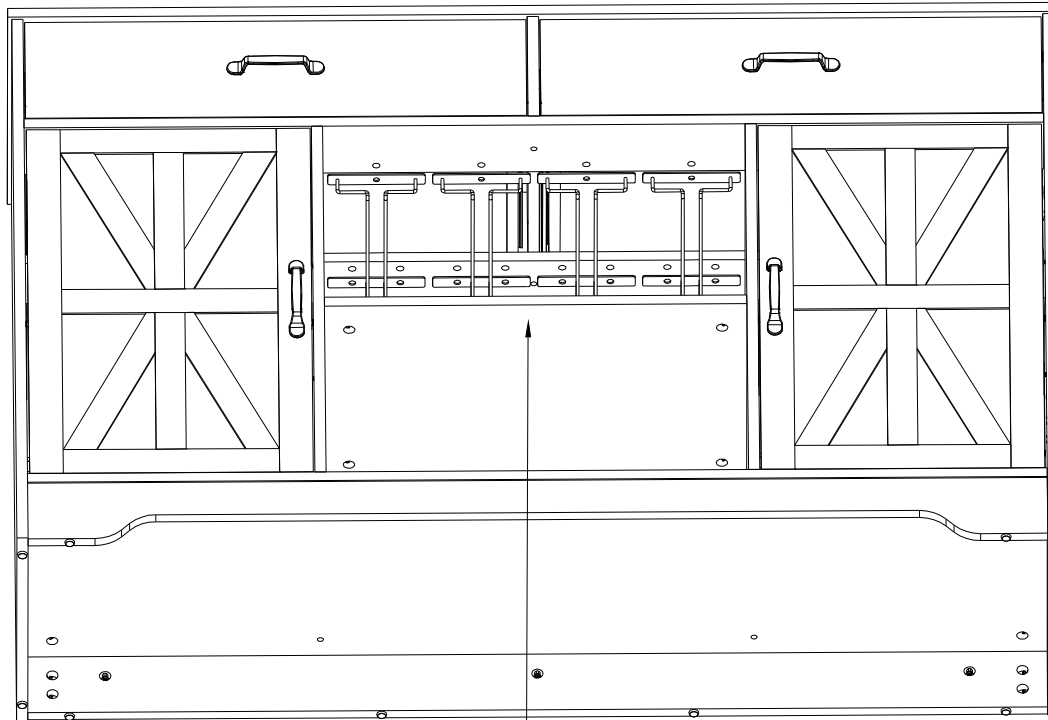



Please attach all exposed holes to hole position stickers

K	Ø21*0.3
	X40

# ASSEMBLY INSTRUCTION

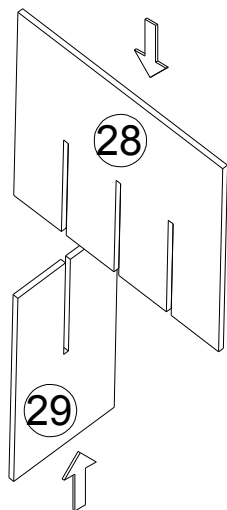
STEP 35



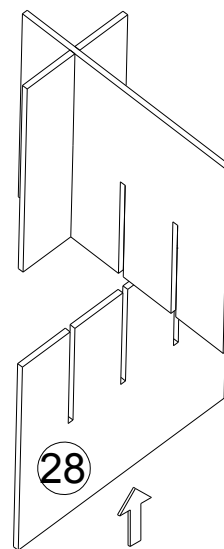
N	M6*10
	X12

# ASSEMBLY INSTRUCTION

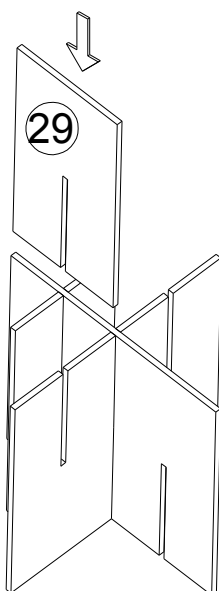
STEP 36



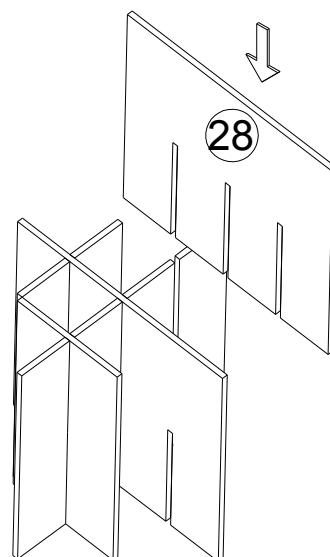
STEP 37



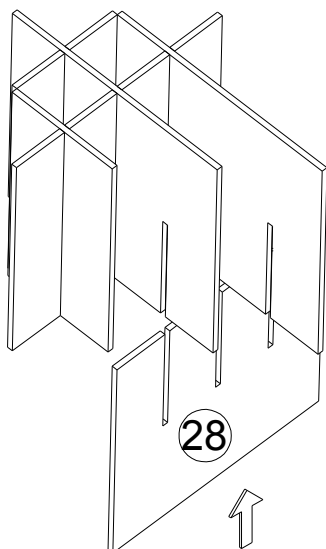
STEP 38



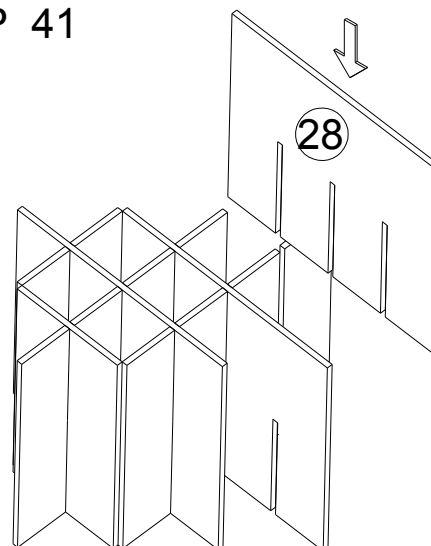
STEP 39



STEP 40

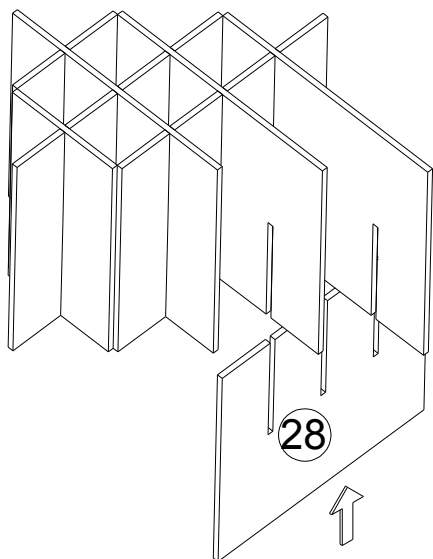


STEP 41

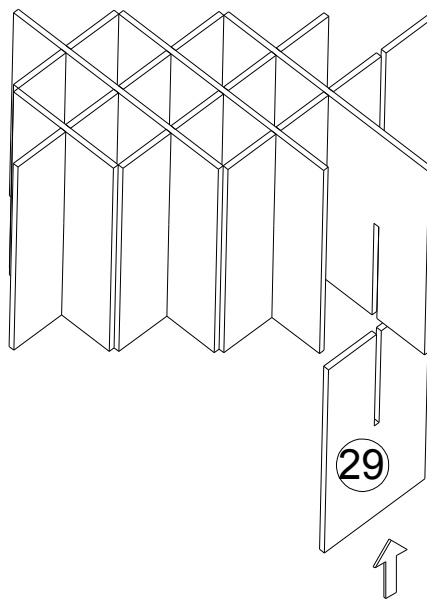


# ASSEMBLY INSTRUCTION

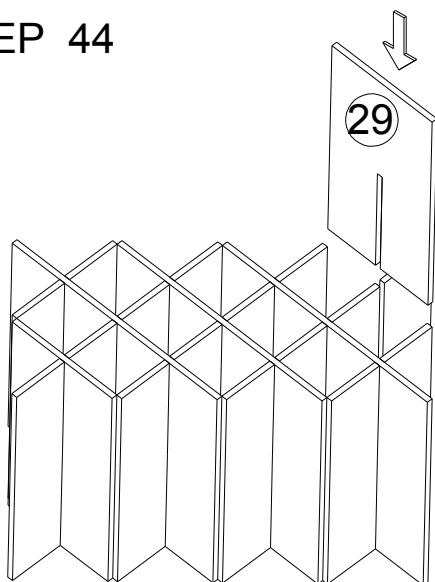
STEP 42



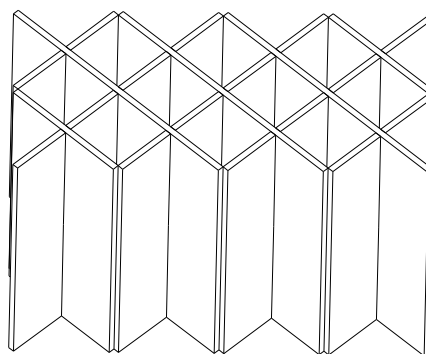
STEP 43



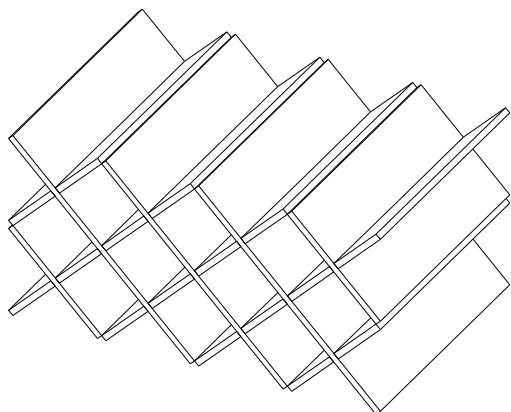
STEP 44



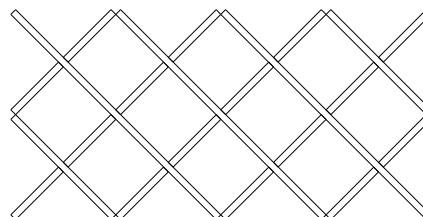
STEP 45



STEP 46

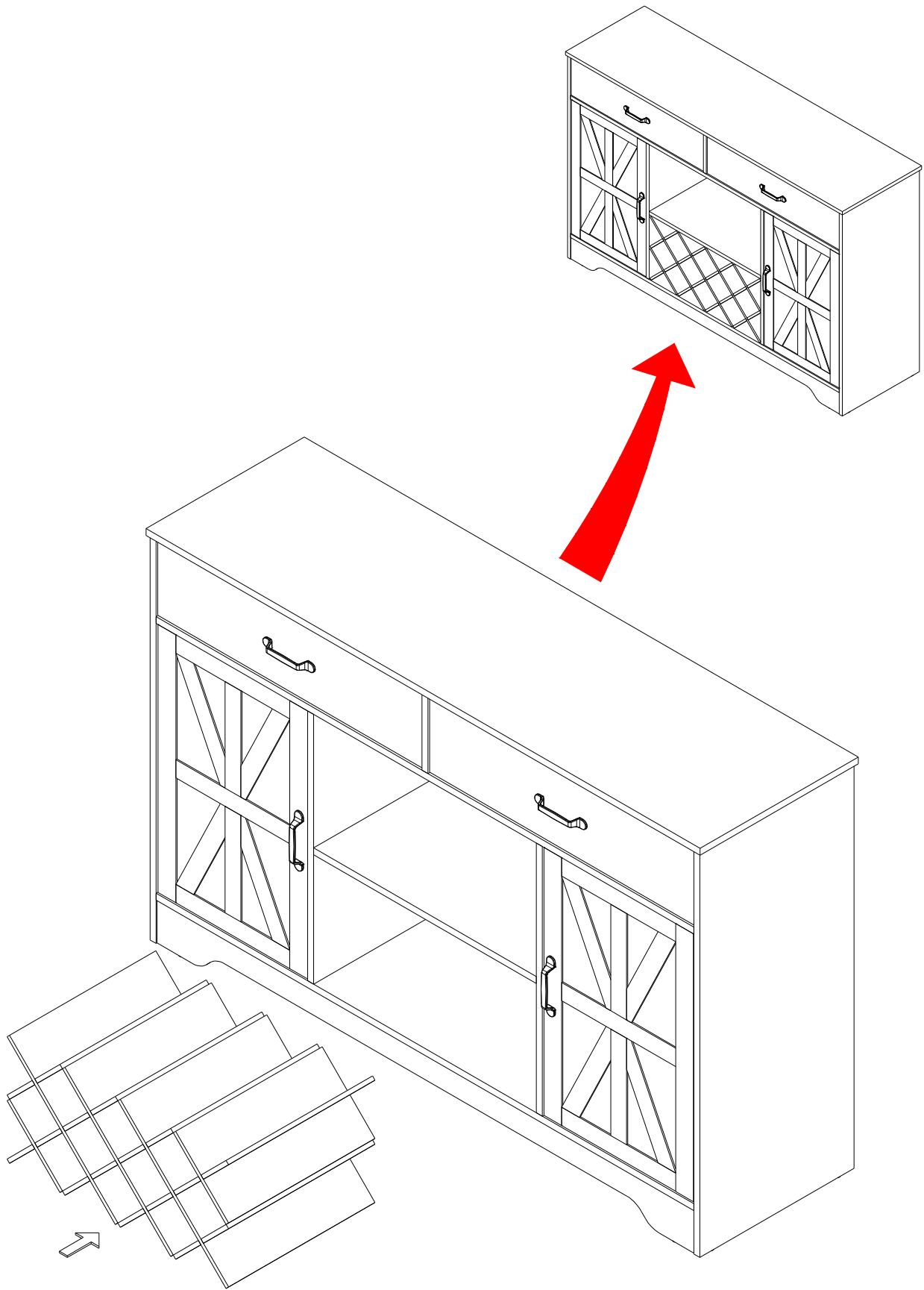


STEP 47



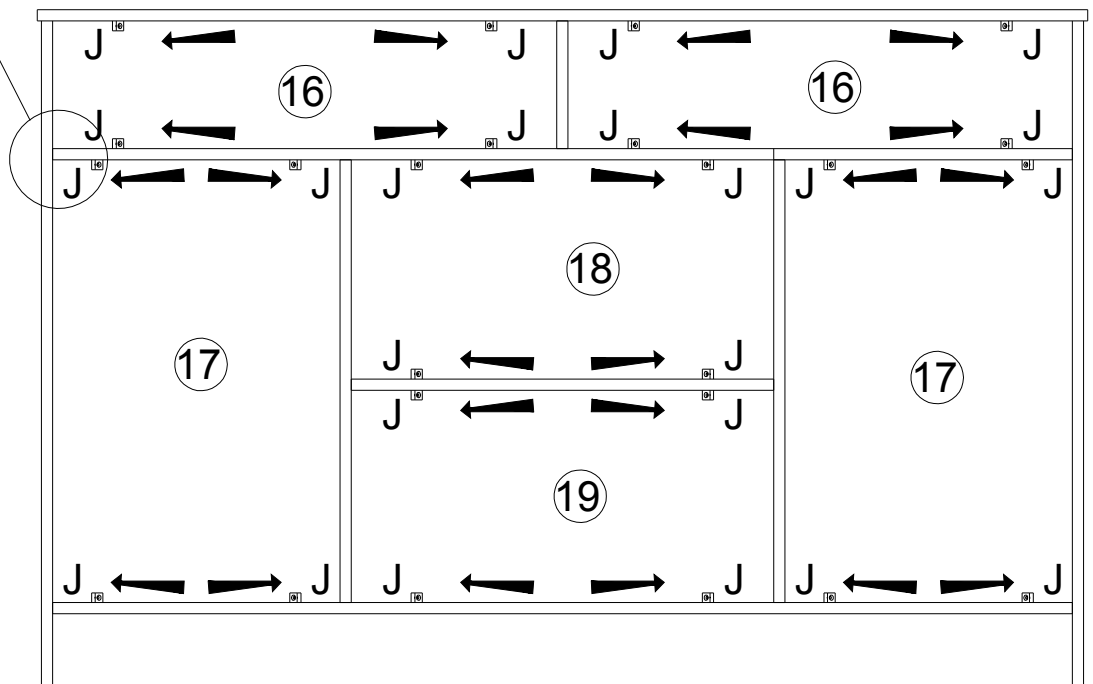
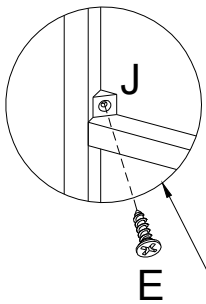
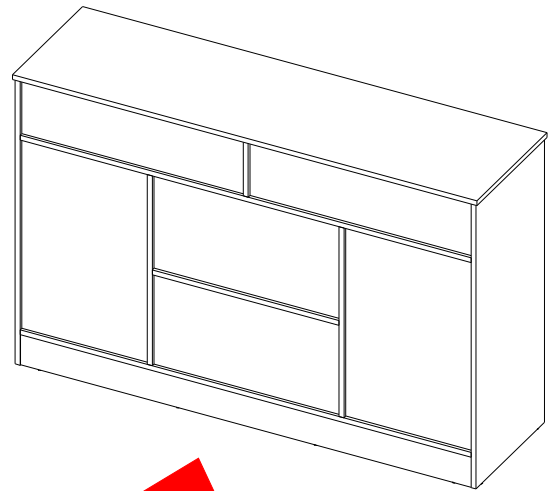
# ASSEMBLY INSTRUCTION



STEP 48



# ASSEMBLY INSTRUCTION

STEP 49



E	M3.5*14
	X24
J	
	X24