


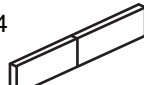


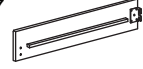
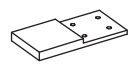






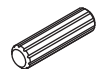





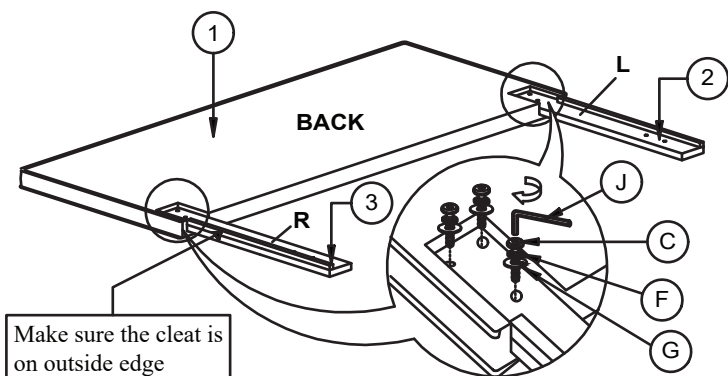


ASSEMBLY INSTRUCTION

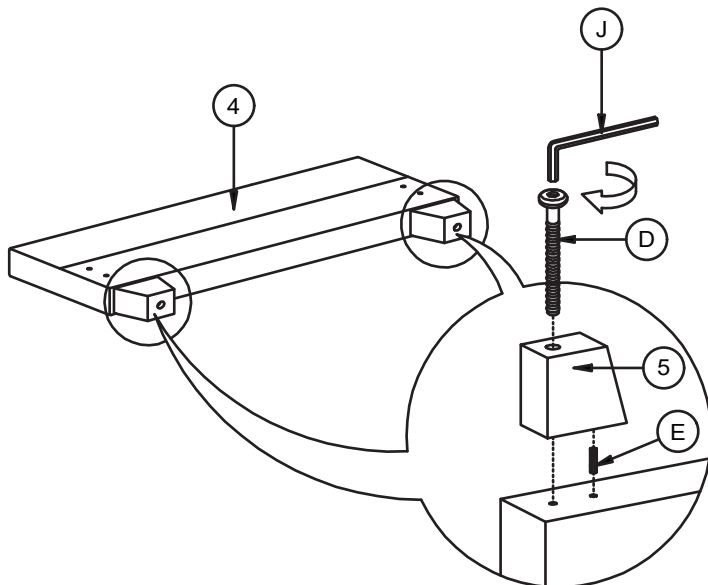
Thank you for purchasing this quality product. Be sure to check all packing material carefully for small parts which may have come loose inside the carton during shipment. Identify and count all parts and compare with the parts list below. Please keep all hardware out of reach of small children.

1  CUSHION HEADBOARD 1 PC	2  KD LEG- LEFT 1 PC	3  KD LEG- RIGHT 1 PC	4  CUSHION FOOTBOARD 1 PC	5  FOOTBOARD LEGS 2 PCS	6  SIDE RAIL- LEFT 2 PCS	7  SIDE RAIL- RIGHT 2 PCS	8  SIDE RAIL SUPPORT LEG 2 PCS
9  SLATS 4 PCS	10  SUPPORT LEGS 8 PCS		A  JCBB BOLT M8 x 20mm 8 PCS	B  JCBC BOLT M6 x 25mm 8 PCS	C  JCBC BOLT M6 x 35mm 14 PCS	D  JCBC BOLT M6 x 70mm 2 PCS	E  WOOD DOWEL 2 PCS
F  SPRING WASHER 14 PCS	G  FLAT WASHER 14 PCS	H  SCREW M4 x 32mm 8 PCS	I  ALLEN KEY M5 1 PC	J  ALLEN KEY M4 1 PC			

STEP 1



STEP 2



ASSEMBLY TIPS:

1. Remove hardware from box and sort by size.
2. Please check to see that all hardware and parts are present prior start of assembly.
3. Please follow attached instructions in the same sequence as numbered to assure fast and easy assembly.

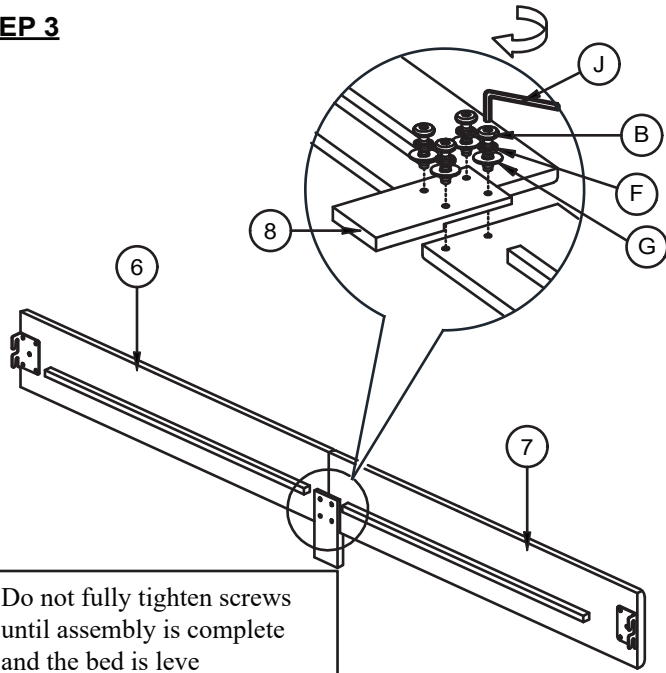
⚠ WARNING!

1. Don't attempt to repair or modify parts that are broken or defective. Please contact the store immediately.
2. This product is for home use only and not intended for commercial establishments

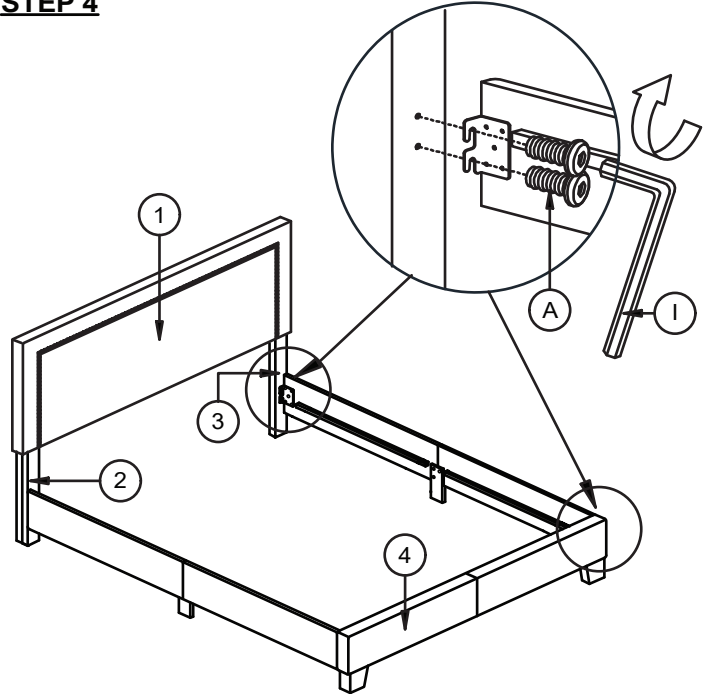
ASSEMBLY INSTRUCTION

Thank you for purchasing this quality product. Be sure to check all packing material carefully for small parts which may have come loose inside the carton during shipment. Identify and count all parts and compare with the parts list below. Please keep all hardware out of reach of small children.

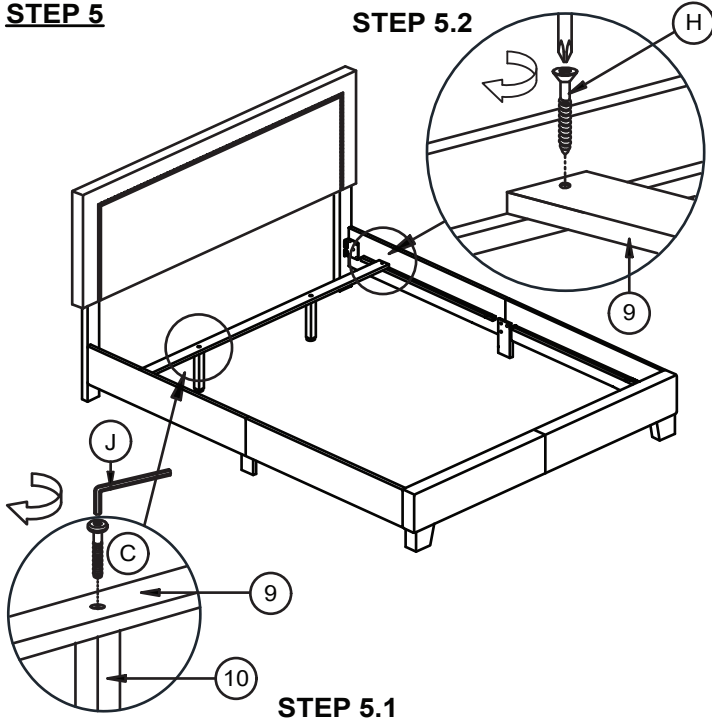
STEP 3



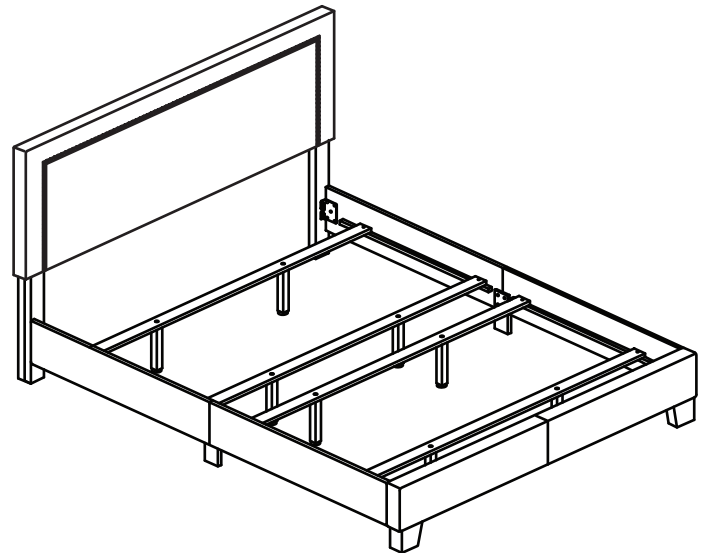
STEP 4



STEP 5



STEP 6



COMPLETE ASSEMBLY

ASSEMBLY TIPS:

1. Remove hardware from box and sort by size.
2. Please check to see that all hardware and parts are present prior start of assembly.
3. Please follow attached instructions in the same sequence as numbered to assure fast and easy assembly.

⚠ WARNING!

1. Don't attempt to repair or modify parts that are broken or defective. Please contact the store immediately.
2. This product is for home use only and not intended for commercial establishments