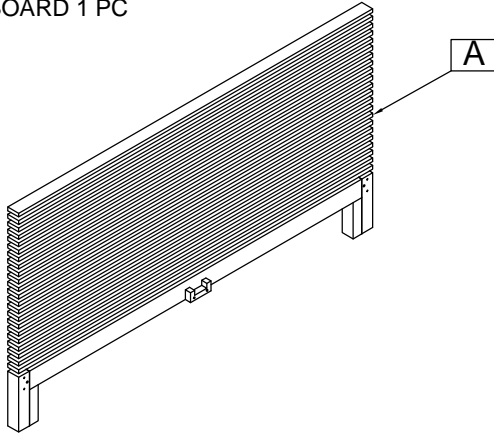


# QUEEN BED ASSEMBLY INSTRUCTIONS

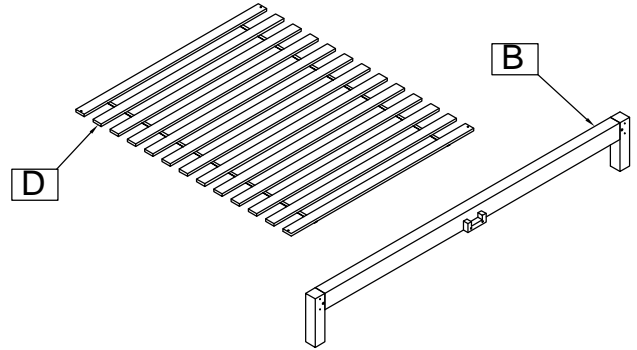
BOX #1

A. HEADBOARD 1 PC



BOX #2

B. FOOTBOARD 1 PC  
D. SLAT ROLL 1 SET  
BED HARDWARE BOX

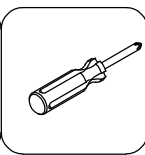
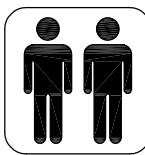
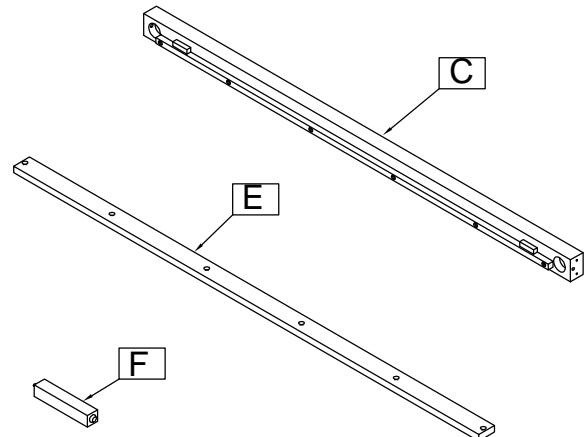


## HARDWARE KIT PACKED IN BOX #2

No.	DESCRIPTION	IMAGE	QUANTITY
1	METAL DOWEL (8x40mm)		8 PCS
2	ALL- THREAD BOLT (5/16"x80mm)		4 PCS
3	THREADED HALF MOON WASHER NUT (5/16")		4 PCS
4	SPANNER		1 PC
5	WOOD SCREW (4x30mm)		6 PCS
6	ALLEN KEY		1 PC

BOX #3 :

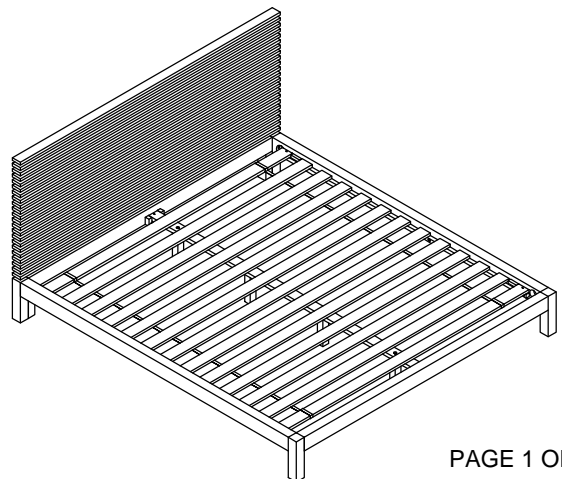
C. SIDE RAIL 2 PCS  
E. CENTER SLAT SUPPORT 1 PC  
F. SUPPORT LEG 4 PCS



Not provided

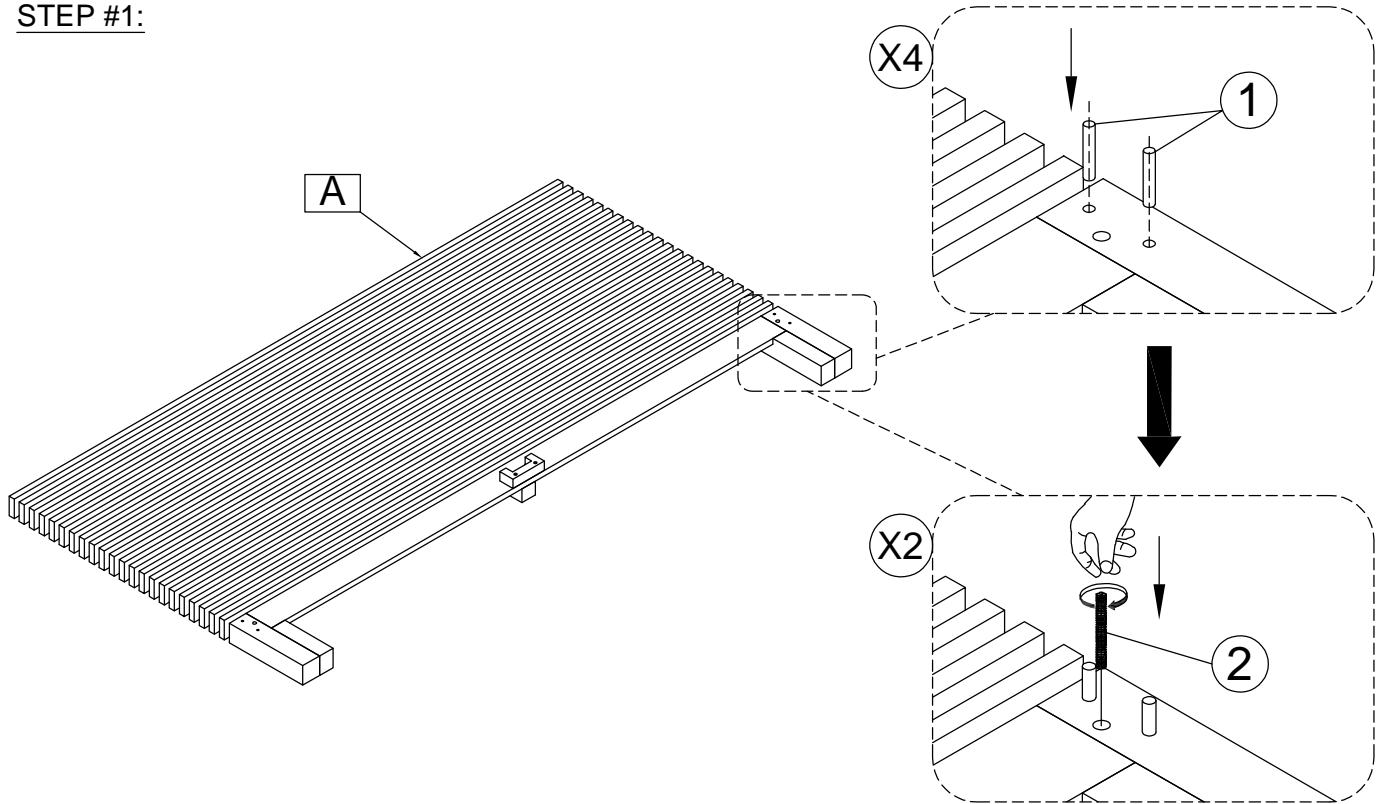
ASSEMBLE ON A SOFT SURFACE

FULLY ASSEMBLED

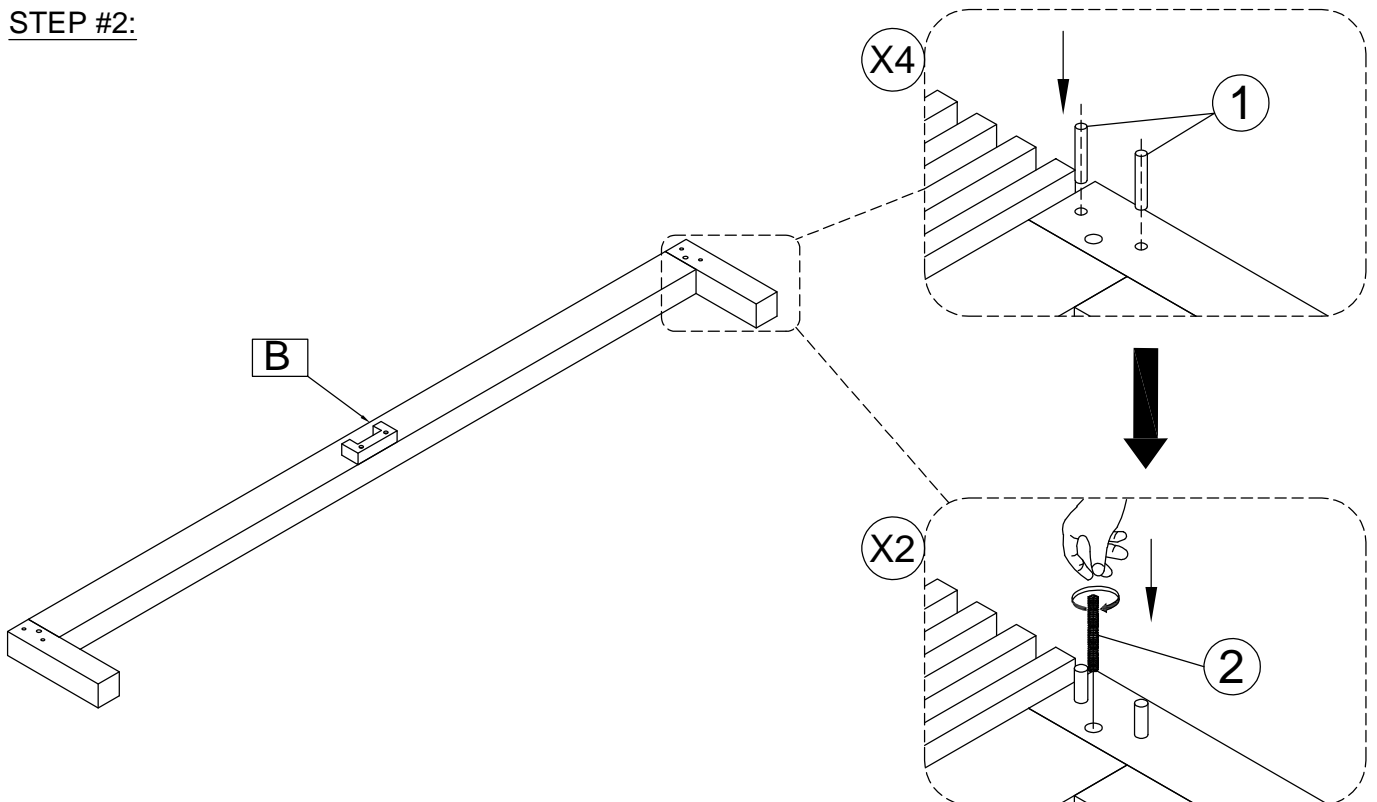


# QUEEN BED ASSEMBLY INSTRUCTIONS

## STEP #1:

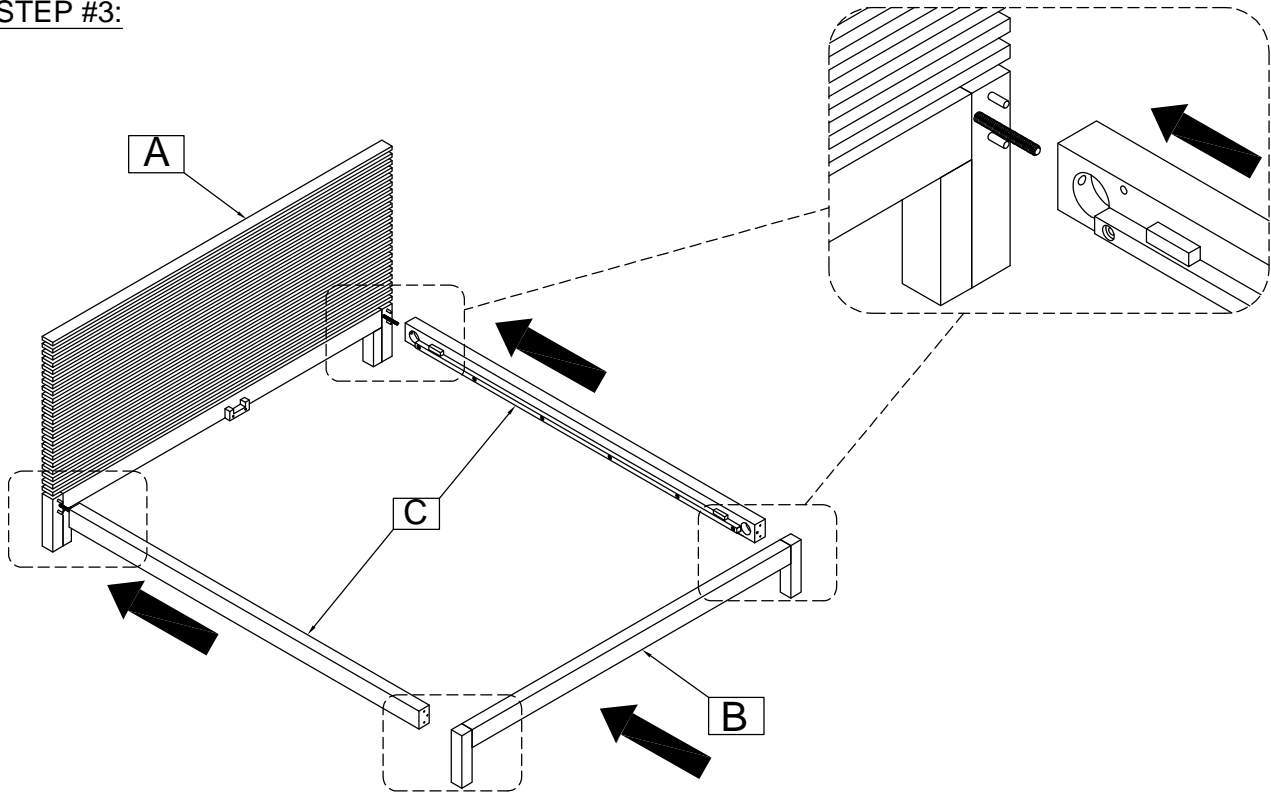


## STEP #2:

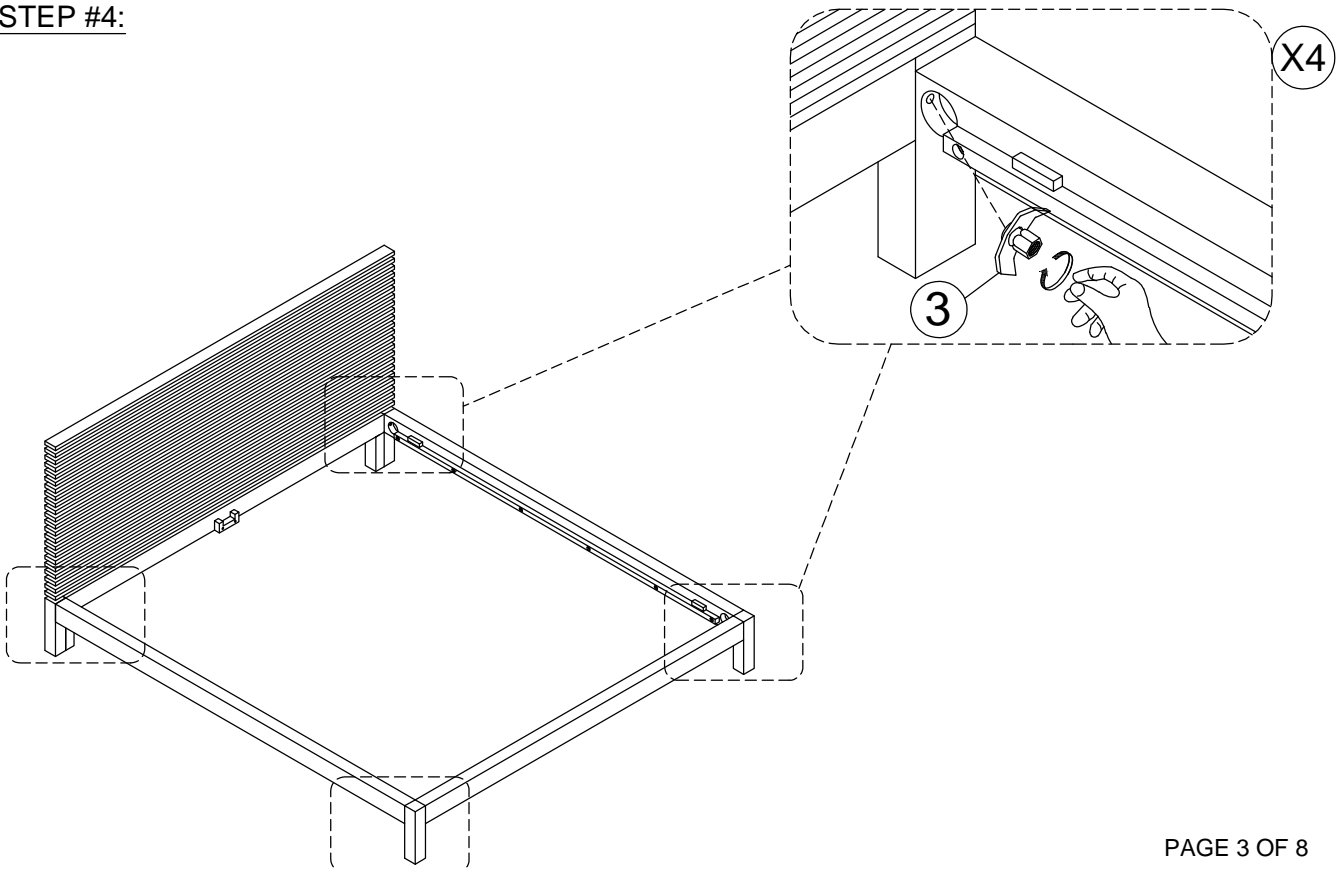


# QUEEN BED ASSEMBLY INSTRUCTIONS

STEP #3:

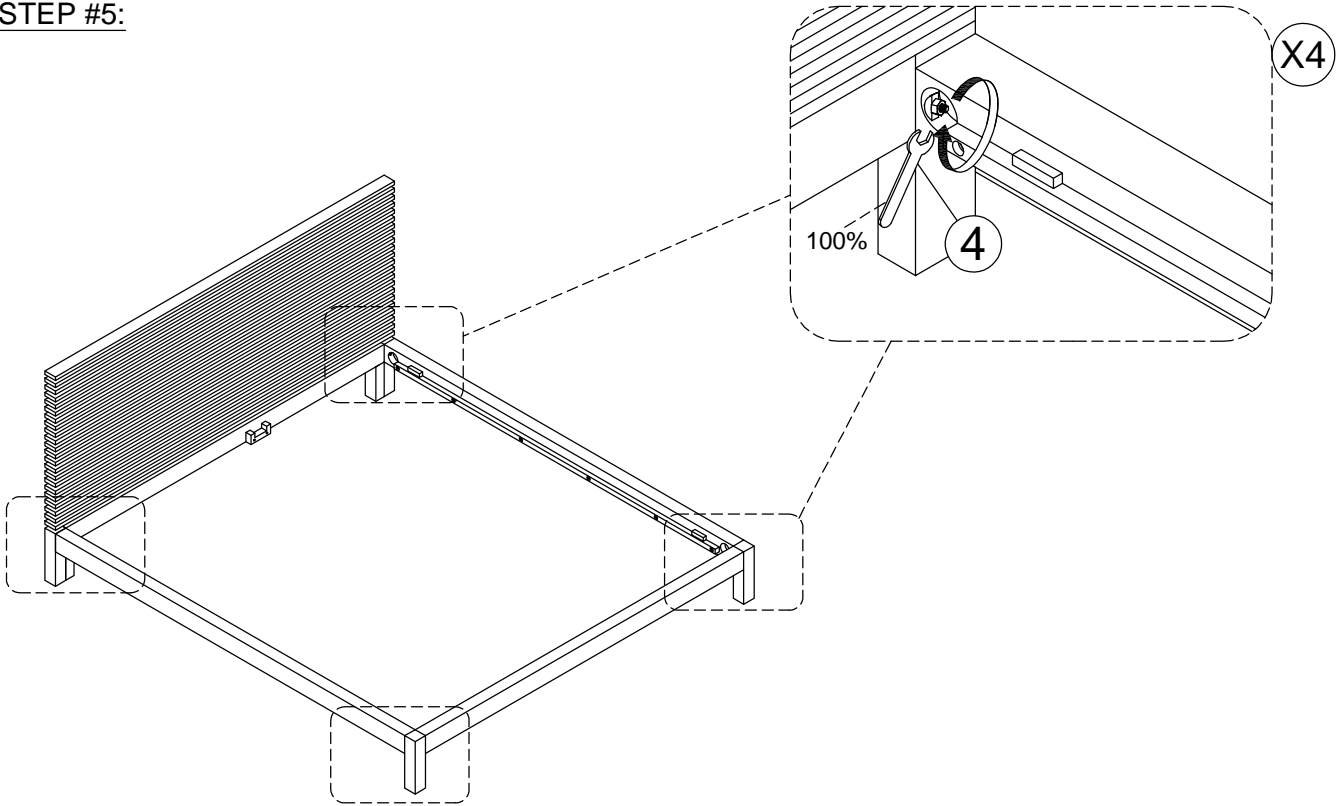


STEP #4:



# QUEEN BED ASSEMBLY INSTRUCTIONS

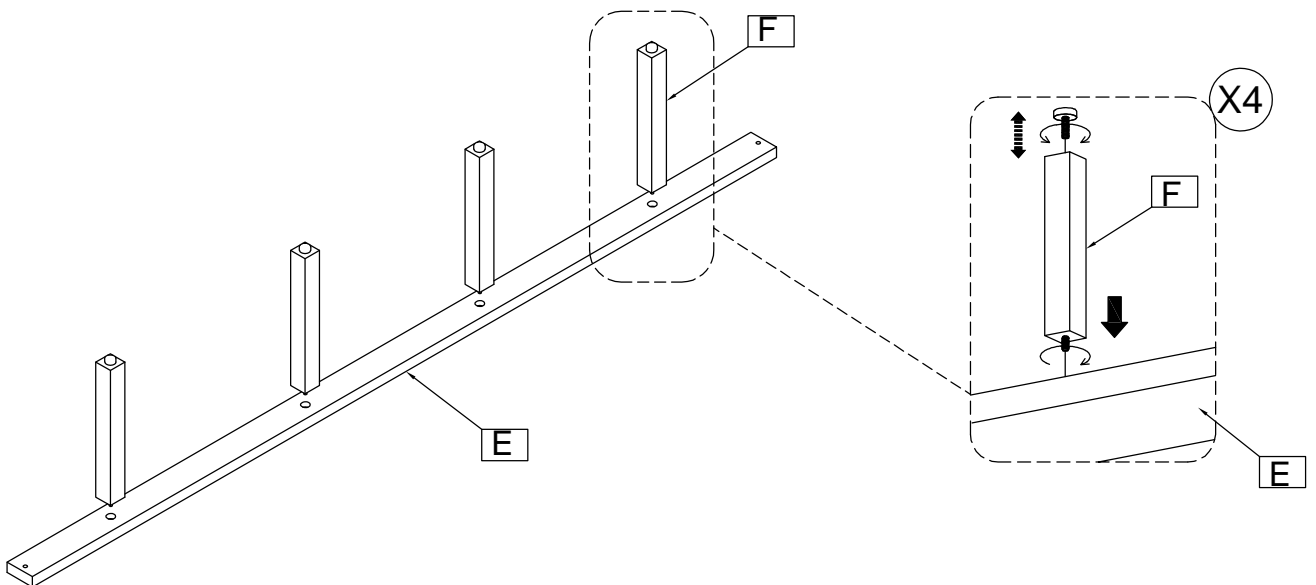
## STEP #5:



## STOP

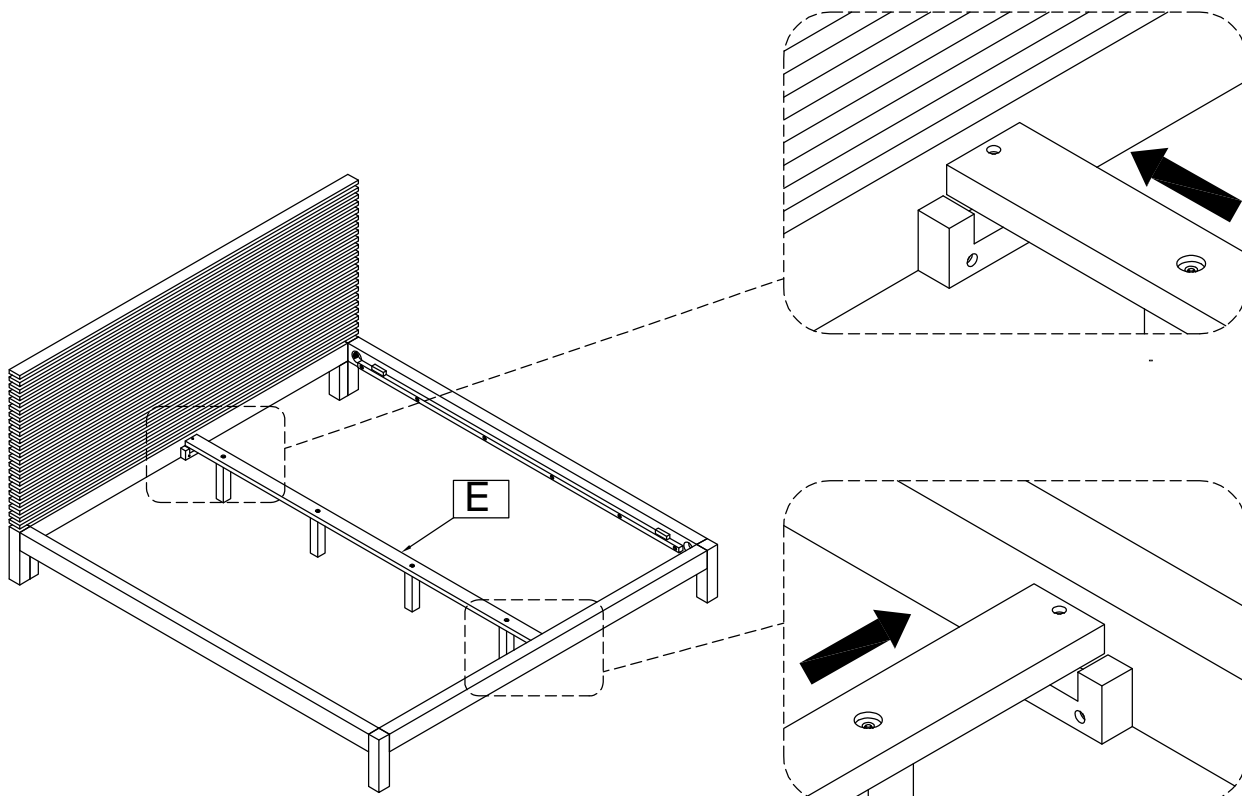
- \* IF USING BED FRAME WITH ADJUSTABLE MATTRESS BASE, SKIP TO APPENDIX A: ADJUSTABLE MATTRESS BASE ASSEMBLY SUPPLEMENT.
- \* IF USING BED FRAME WITH STANDARD BOX SPRING OR FOUNDATION CONTINUE TO STEP 6.

## STEP #6:



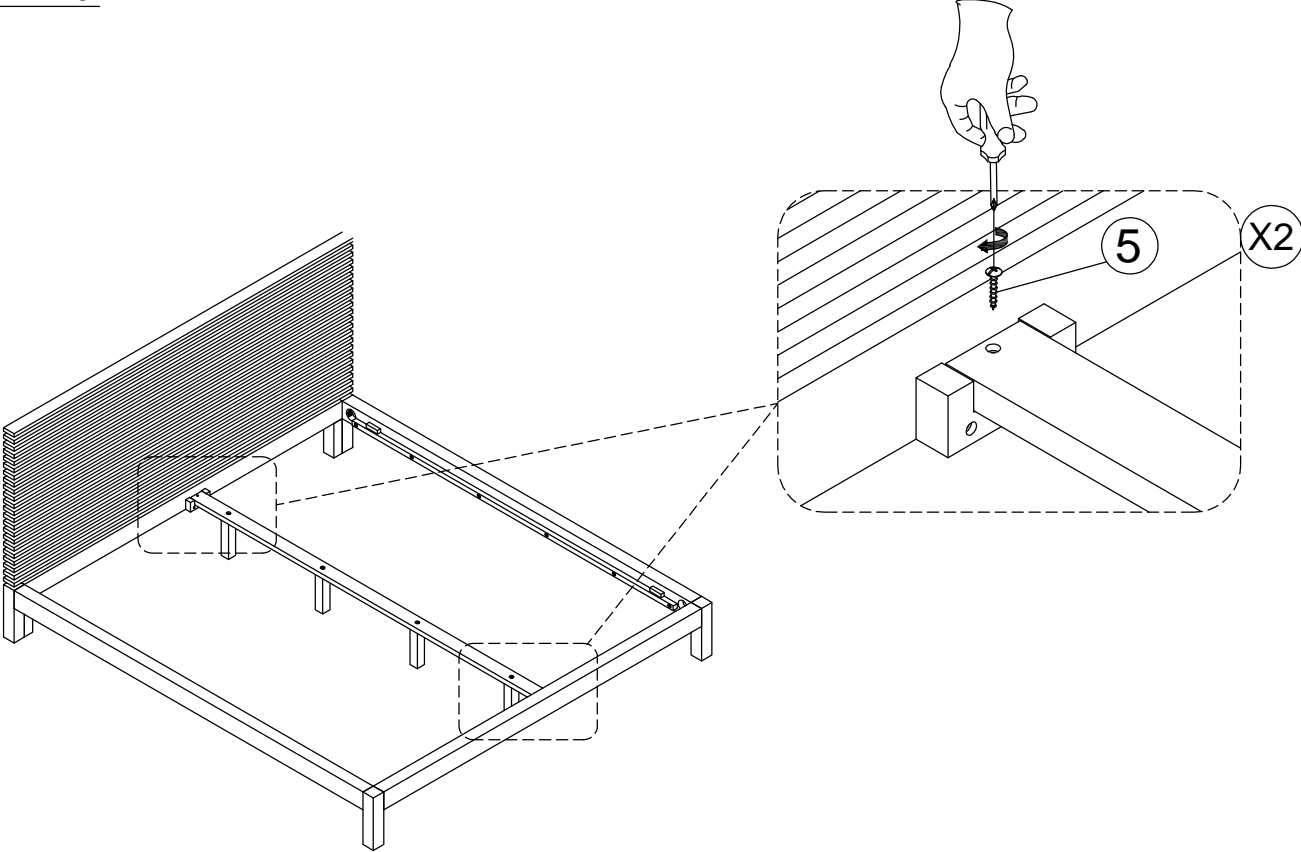
# QUEEN BED ASSEMBLY INSTRUCTIONS

STEP #7:

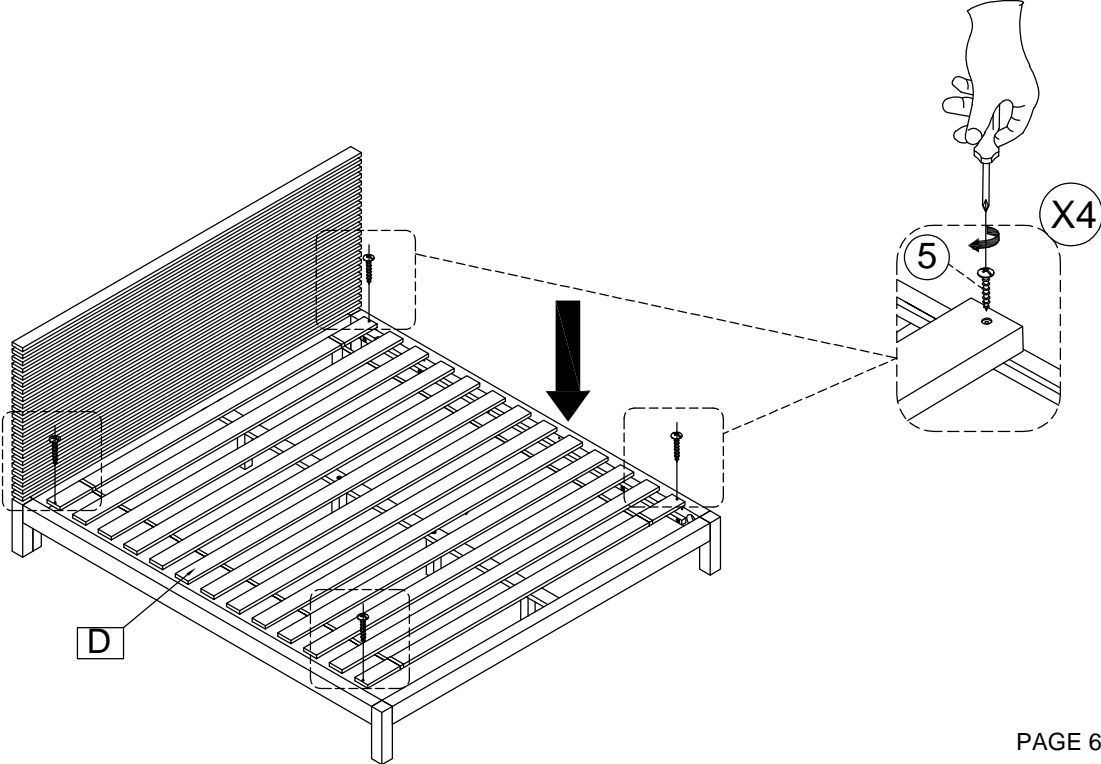


# QUEEN BED ASSEMBLY INSTRUCTIONS

**STEP #8:**

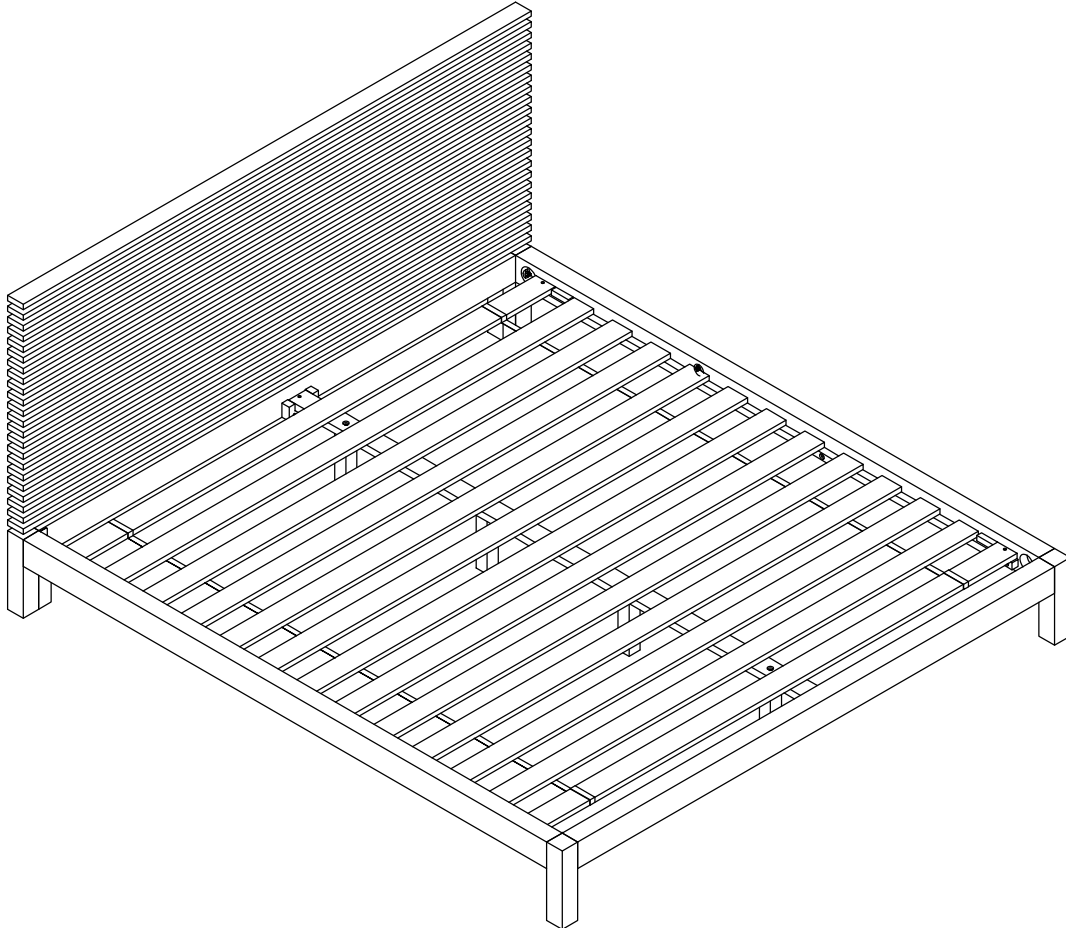


**STEP #9:**



# QUEEN BED ASSEMBLY INSTRUCTIONS

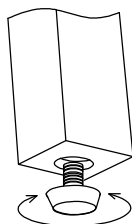
## STEP #10:



ASSEMBLY COMPLETE

### **INSTRUCTIONS FOR ADJUSTING LEVELER:**

- POSITION THE BED IN YOUR SPACE AND LOCATE THE LEVELER UNDER EACH SUPPORT LEG.
- TURN THE LEVELER COUNTER- CLOCKWISE TO EXTEND THE LEVELER AND CLOCKWISE TO RETRACT IT.
- ADJUST EACH LEVELER UNTIL EACH SUPPORT LEG IS APPLYING EQUAL, UPWARD PRESSURE ON THE BED SUPPORT SLAT.



### **MAINTENANCE INSTRUCTIONS:**

- PERIODICALLY CHECK ALL FITTINGS AND TIGHTEN IF NECESSARY, AS THEY CAN LOOSEN OVER TIME.
- ALWAYS REMOVE BOX SPRING AND MATTRESS BEFORE MOVING THE BED.
- LIFT THE BED WHEN MOVING IT. DRAGGING THE BED CAN DAMAGE THE CENTER SUPPORT.
- READJUST LEVELERS AFTER MOVING THE BED.

# QUEEN BED ASSEMBLY INSTRUCTIONS

AN ADJUSTABLE MATTRESS BASE IS A FREESTANDING MATTRESS SUPPORT THAT SITS WITHIN THE PERIMETER OF THE BED FRAME.

IF USING THIS BED FRAME WITH A STANDARD BOX SPRING OR FOUNDATION THESE INSTRUCTIONS DO NOT APPLY.

PRE-ASSEMBLED SIDE RAIL CLEATS OBSTRUCT ADJUSTABLE BASE INSTALLATION AND OPERATION.

FOLLOW THESE INSTRUCTIONS TO REMOVE THEM.

THE FOLLOWING PARTS ARE NOT REQUIRED FOR ADJUSTABLE MATTRESS BASE INSTALLATION:

D. SLAT ROLL 1 SET

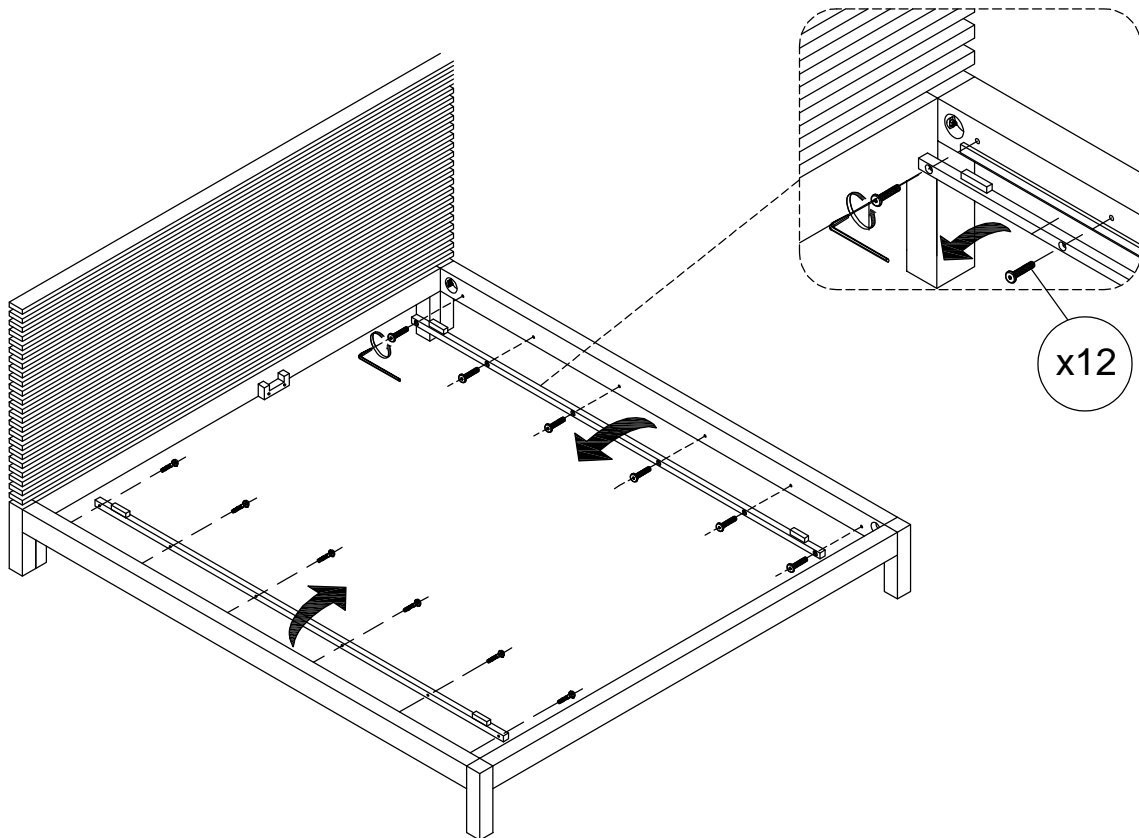
5. WOOD SCREW (4x30MM) 6 PCS

E. CENTER SLAT SUPPORT 1 PC

F. SUPPORT LEG 4 PCS

## STEP 1:

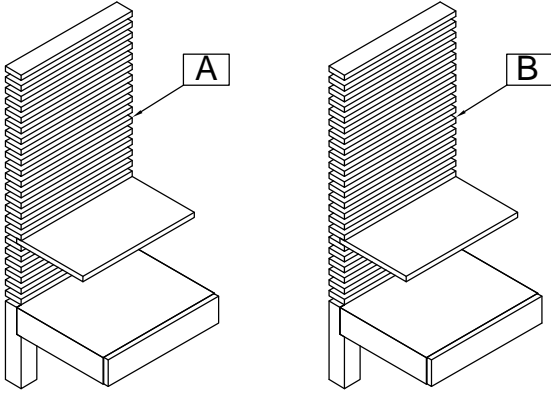
USE ALLEN KEY (6) IN BOX #2 TO UNSCREW ALLEN BOLTS AND REMOVE PRE-ASSEMBLED SIDE RAIL CLEATS.



NOTE: YOU MAY WISH TO RETAIN UNUSED PARTS IF IN THE FUTURE YOU INTEND TO USE THE BED FRAME WITH A STANDARD BOX SPRING OR FOUNDATION

# QUEEN BED ASSEMBLY INSTRUCTIONS

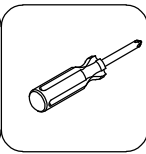
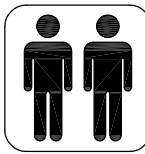
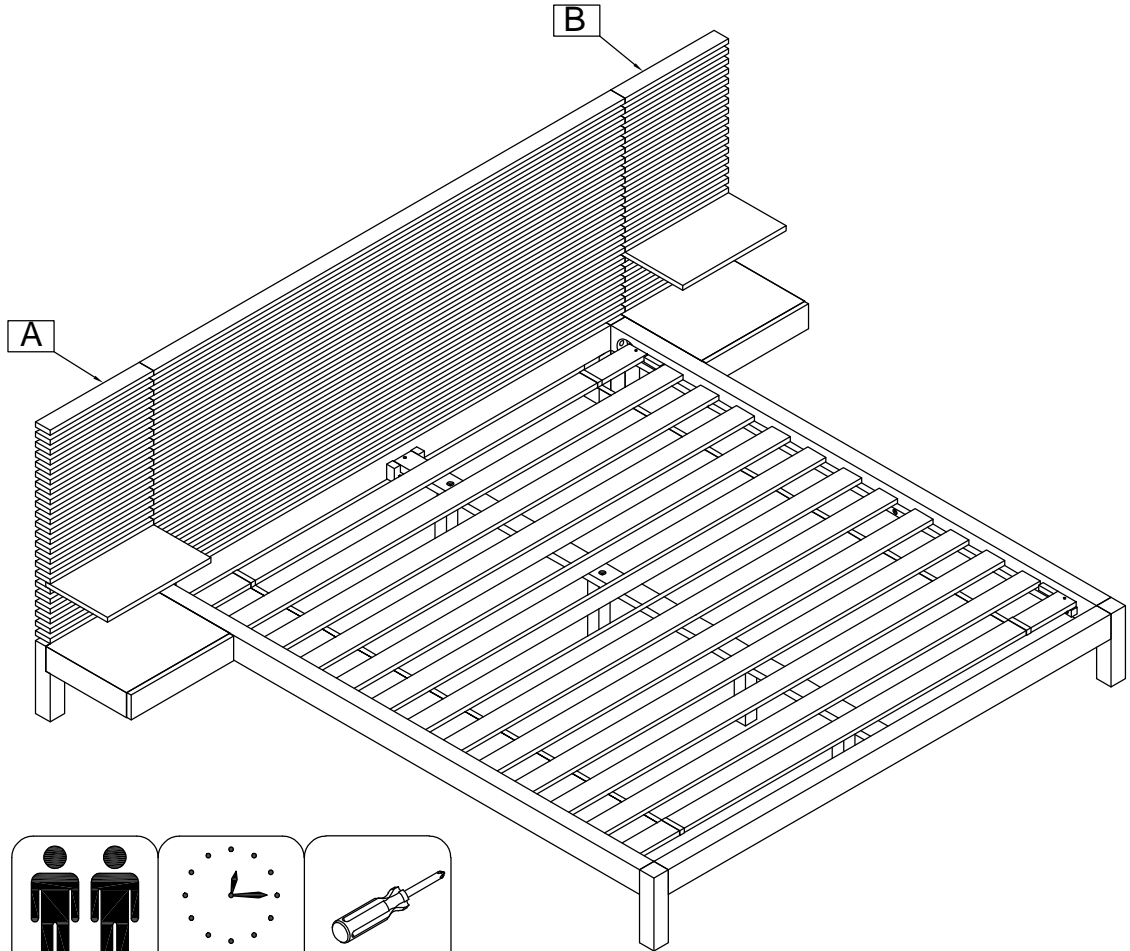
- A. LEFT SPREAD PANEL WING W/DRAWER 1 PC
- B. RIGHT SPREAD PANEL WING W/DRAWER 1 PC



## HARDWARE KIT PACKED IN BOX

No.	DESCRIPTION	IMAGE	QUANTITY
1	METAL BRACKET (3x17x60mm)		8 PCS
2	METAL BRACKET (3x60x100mm)		2 PCS
3	ALLEN BOLT (1/4"x20mm)		24 PCS
4	LOCK WASHER (1/4"x2mm)		24 PCS
5	FLAT WASHER (6x19mm)		24 PCS
6	ALLEN KEY		1 PC

### FULLY ASSEMBLED

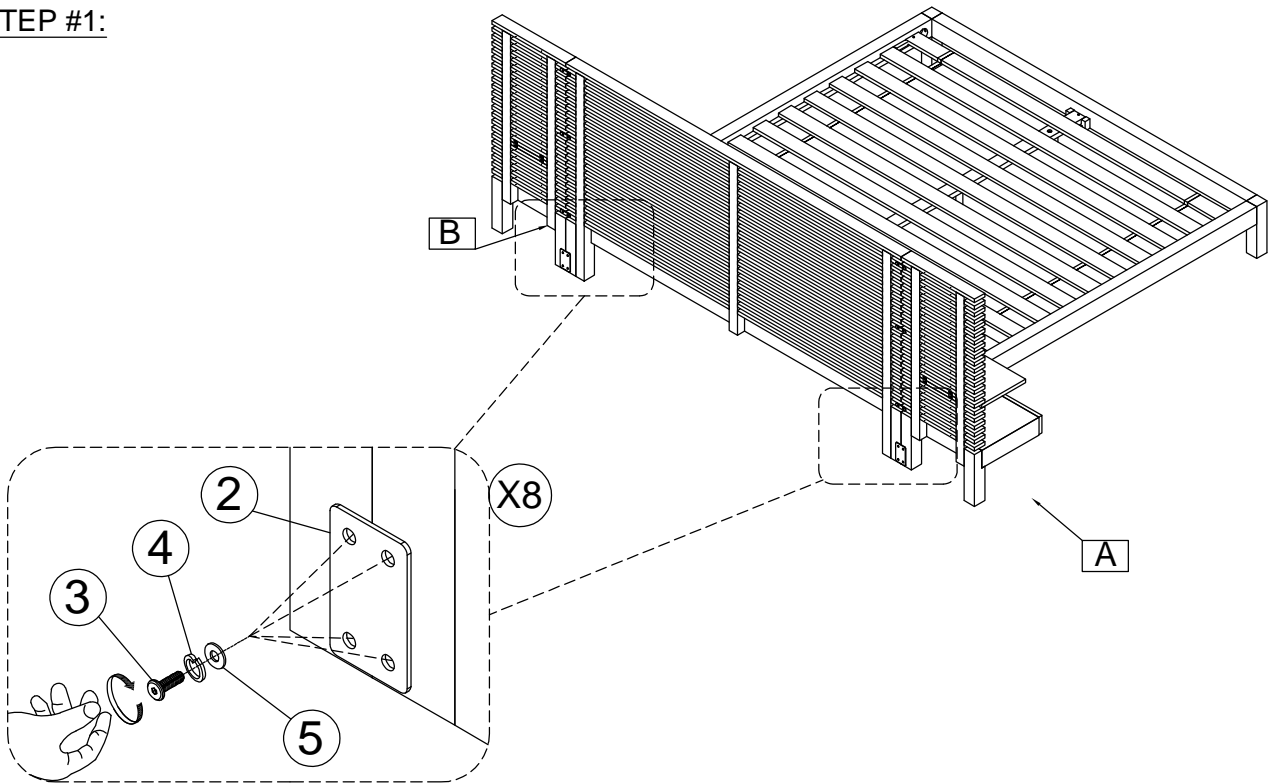


Not provided

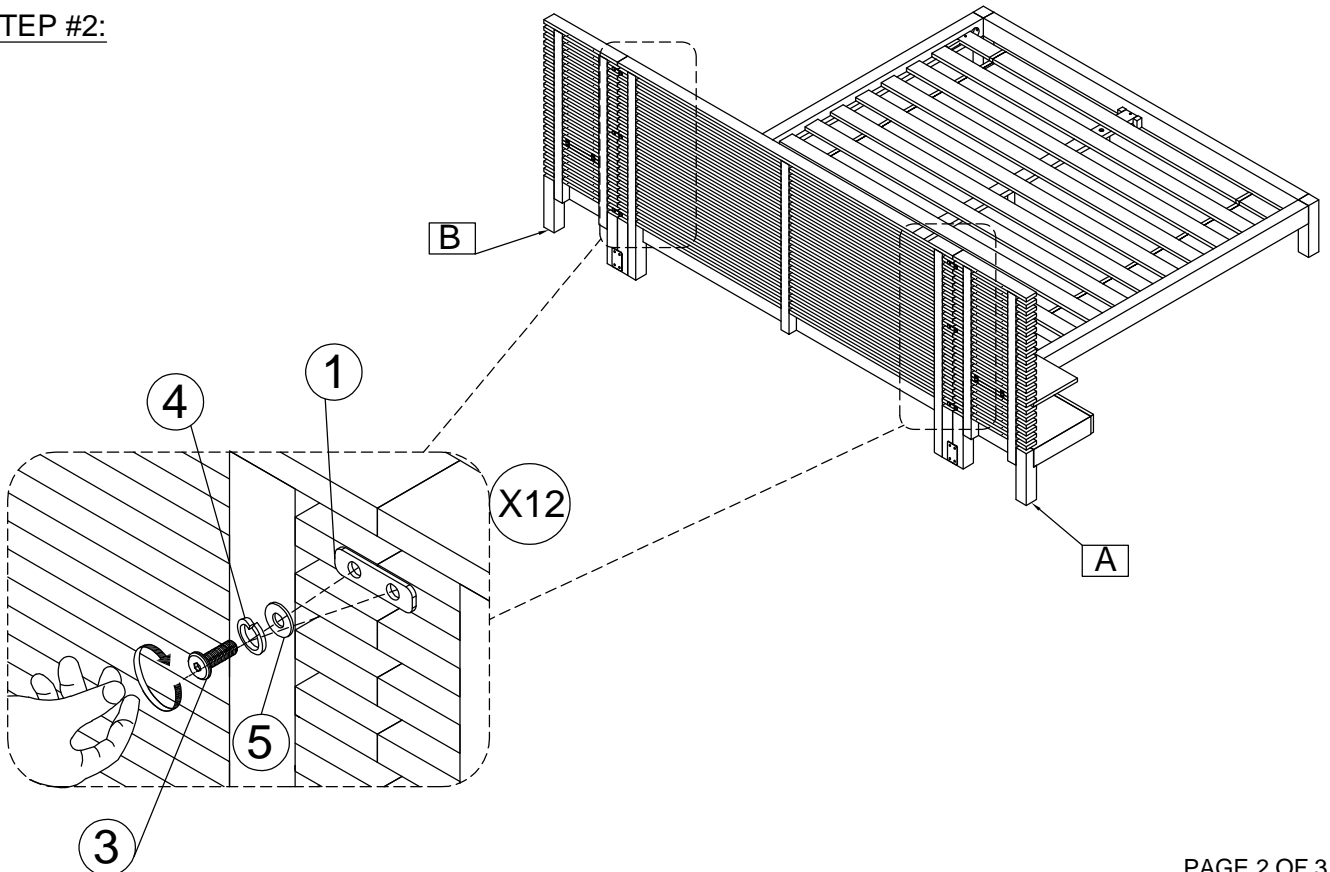
ASSEMBLE ON A SOFT SURFACE

# QUEEN BED ASSEMBLY INSTRUCTIONS

## STEP #1:

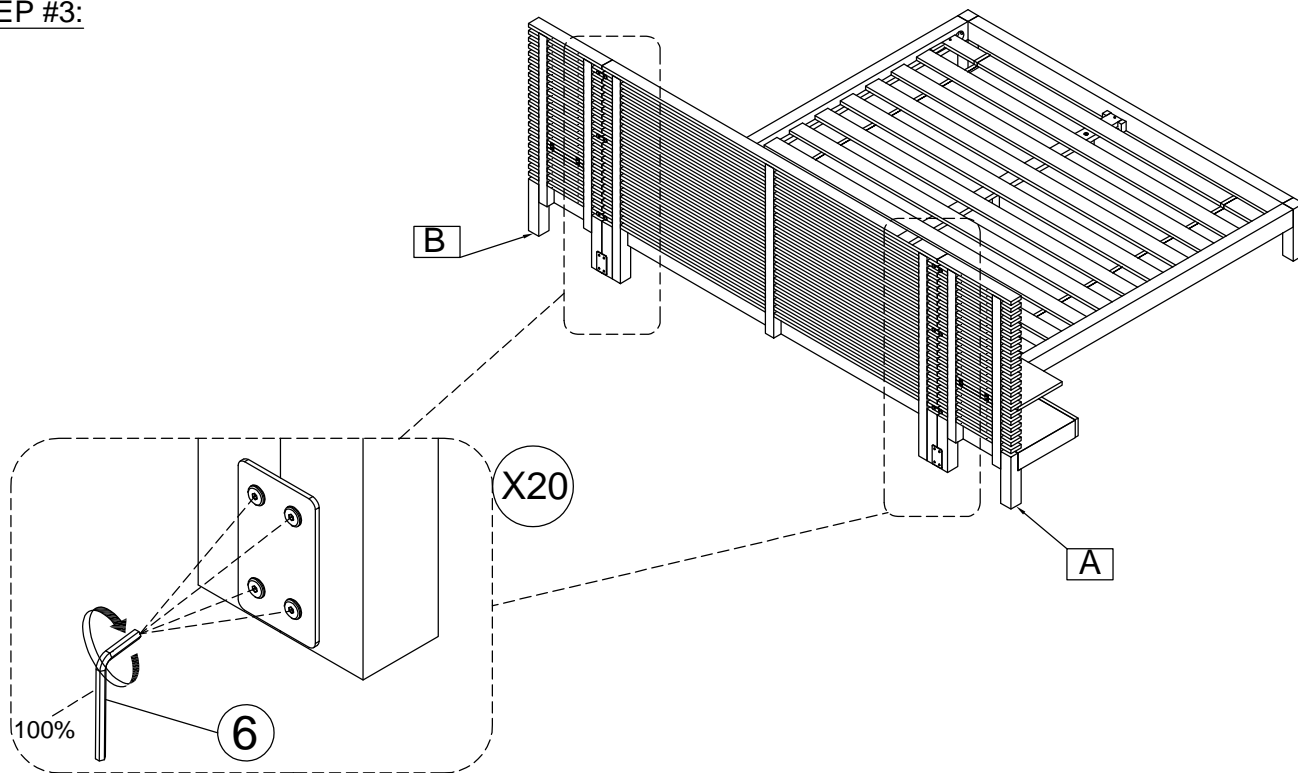


## STEP #2:

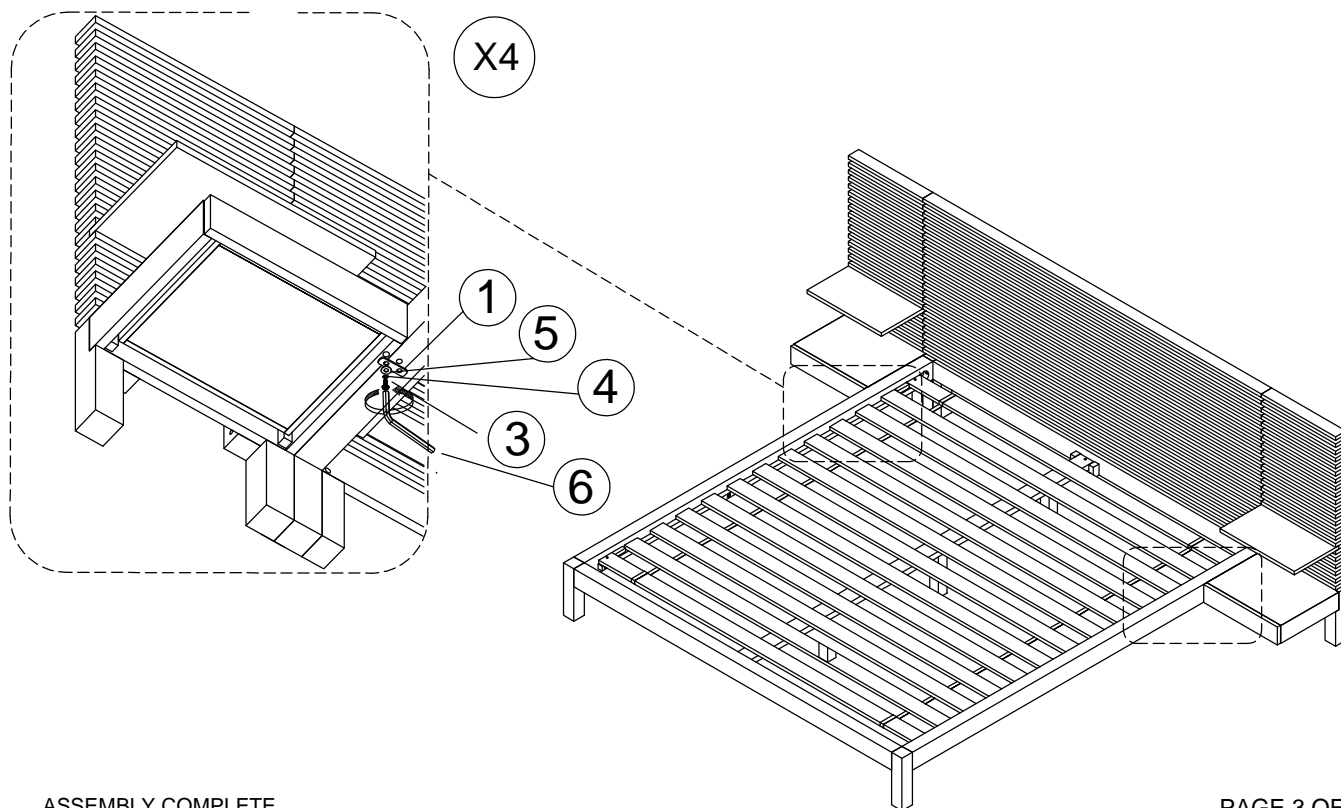


# QUEEN BED ASSEMBLY INSTRUCTIONS

## STEP #3:



## STEP #4:



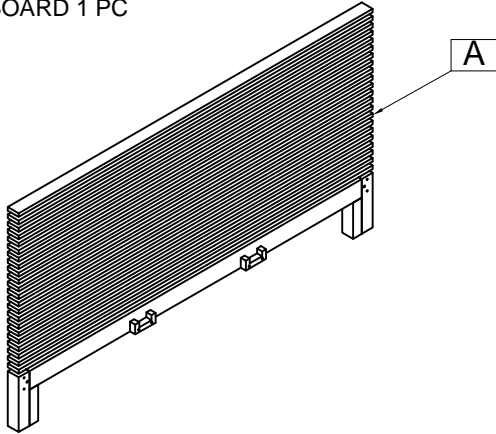
ASSEMBLY COMPLETE

PAGE 3 OF 3

# QUEEN BED ASSEMBLY INSTRUCTIONS

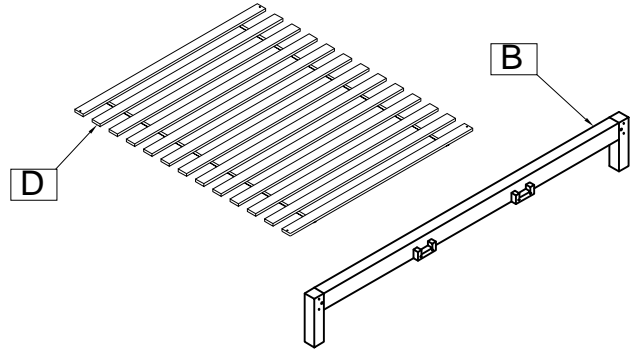
BOX #1

A. HEADBOARD 1 PC



BOX #2

B. FOOTBOARD 1 PC  
D. SLAT ROLL 1 SET  
BED HARDWARE BOX

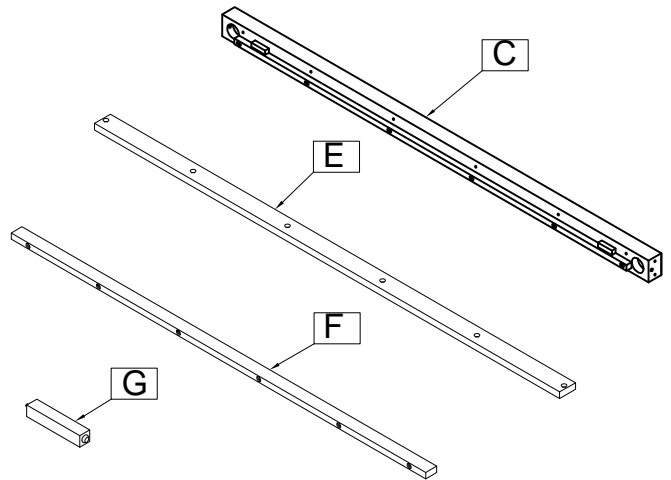


## HARDWARE KIT PACKED IN BOX #2

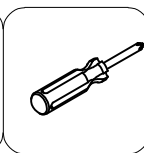
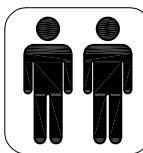
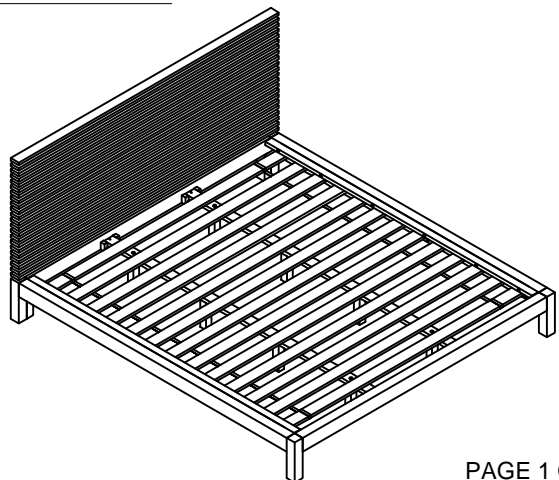
No.	DESCRIPTION	IMAGE	QUANTITY
1	METAL DOWEL (8x40mm)		8 PCS
2	ALL- THREAD BOLT (5/16"x80mm)		4 PCS
3	THREADED HALF MOON WASHER NUT (5/16")		4 PCS
4	SPANNER		1 PC
5	ALLEN BOLT (1/4"x50mm)		12 PCS
6	LOCK WASHER (5/16"x2mm)		12 PCS
7	FLAT WASHER (8x19mm)		12 PCS
8	WOOD SCREW (4x30mm)		8 PCS
9	ALLEN KEY		1 PC

BOX #3 :

C. SIDE RAIL 2 PCS  
E. CENTER SLAT SUPPORT 2 PCS  
F. MATTRESS SPACER 2 PCS  
G. SUPPORT LEG 8 PCS



FULLY ASSEMBLED

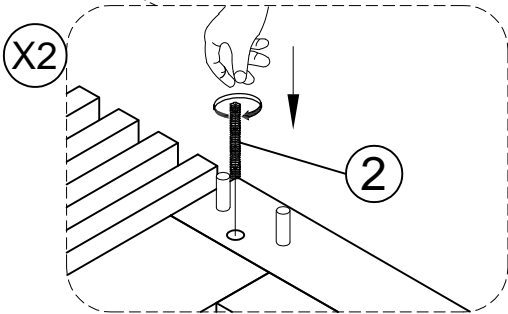
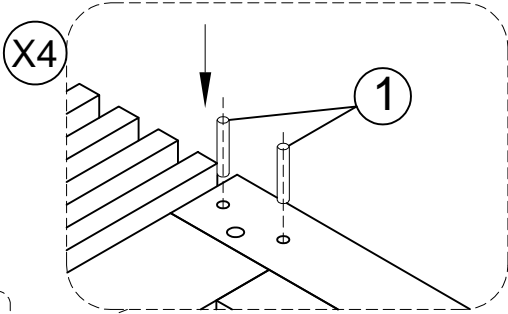
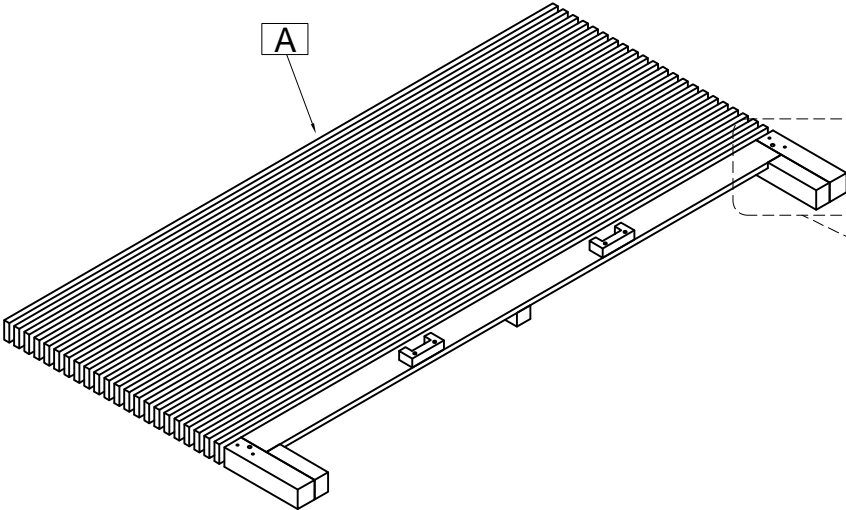


Not provided

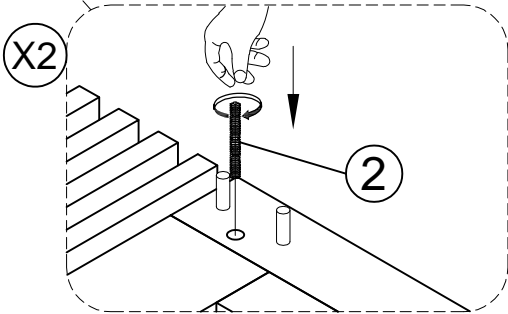
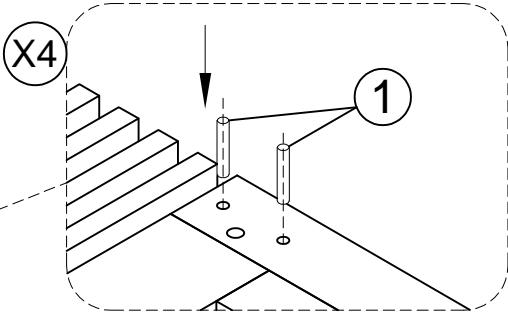
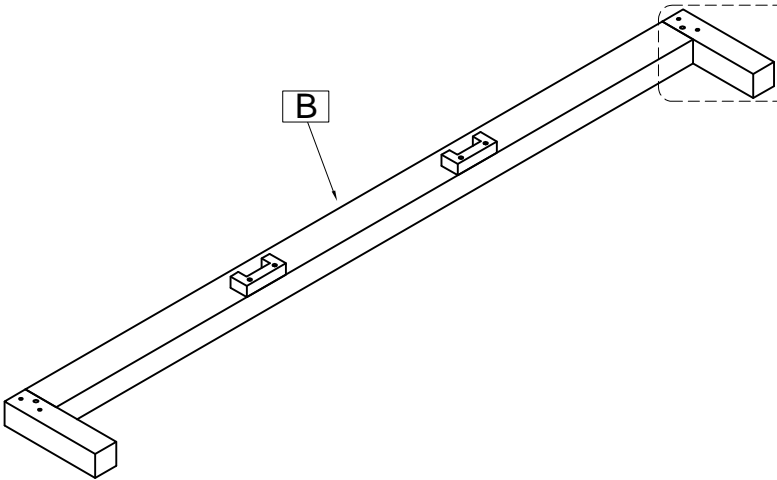
ASSEMBLE ON A SOFT SURFACE

# QUEEN BED ASSEMBLY INSTRUCTIONS

**STEP #1:**

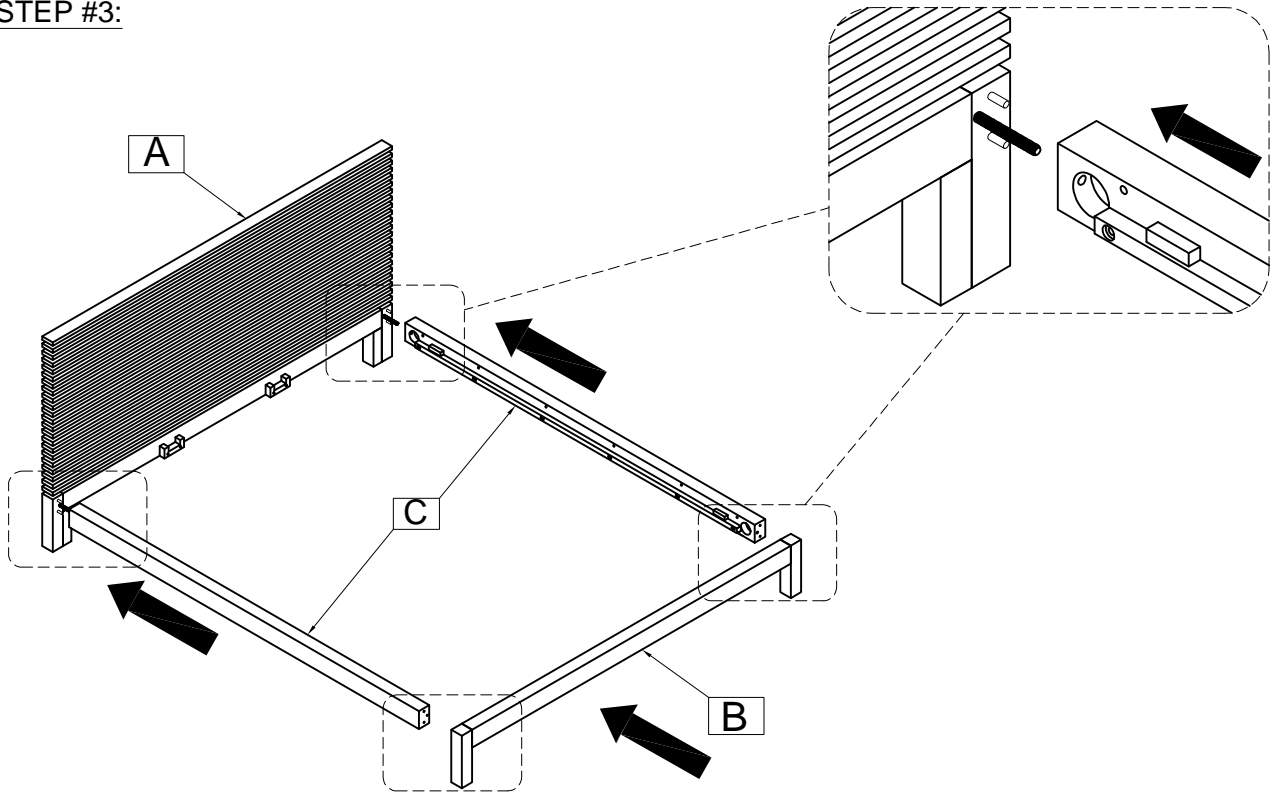


**STEP #2:**

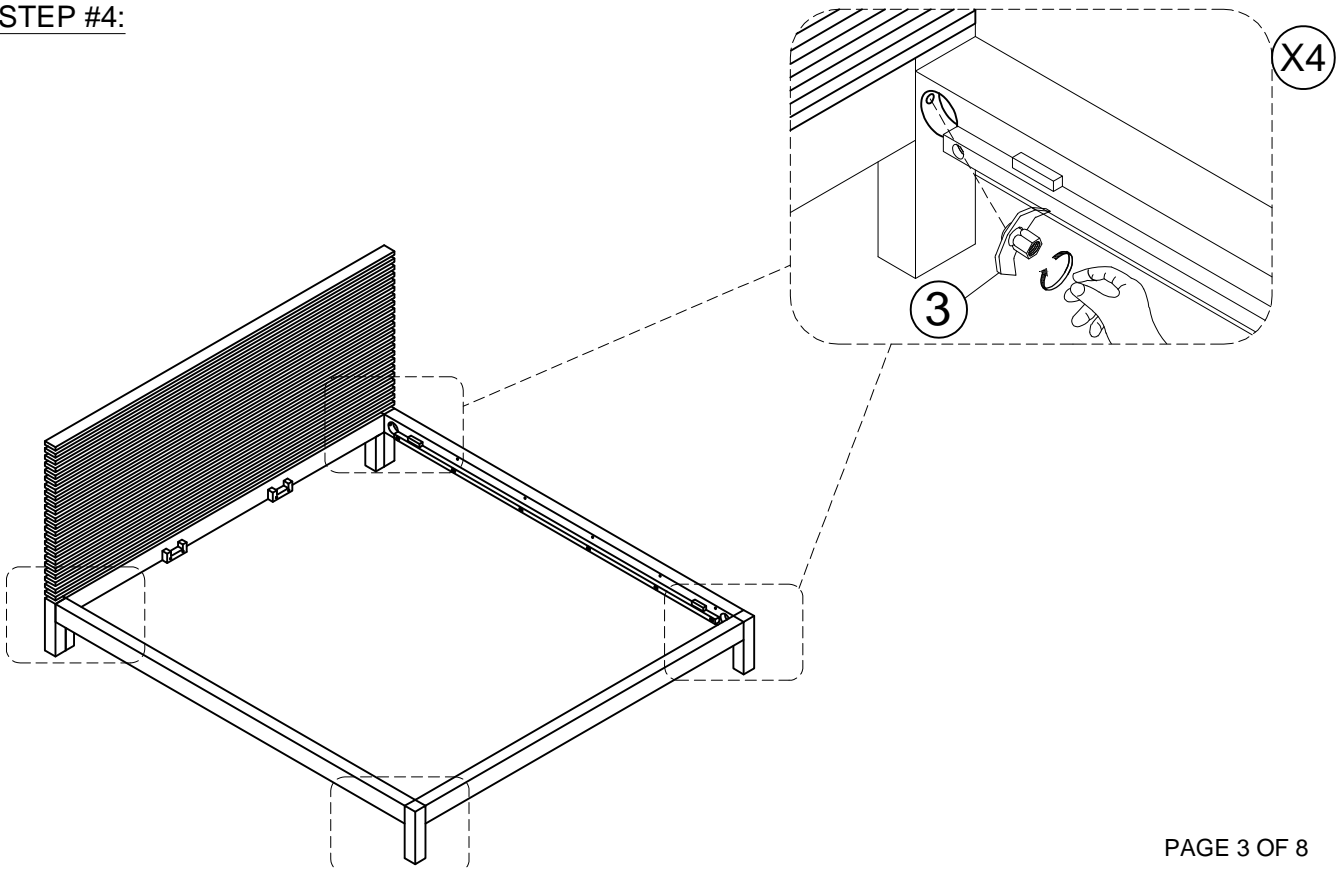


# QUEEN BED ASSEMBLY INSTRUCTIONS

STEP #3:

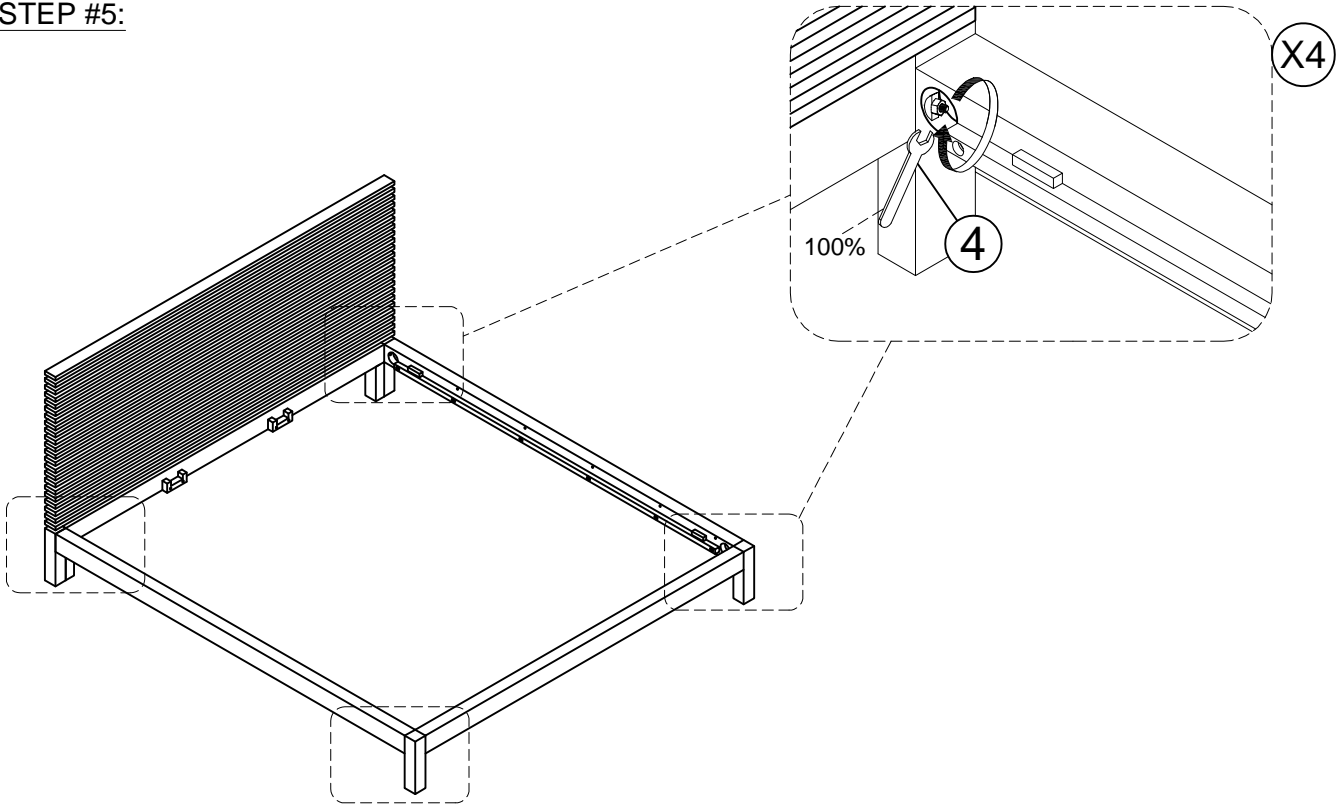


STEP #4:



# QUEEN BED ASSEMBLY INSTRUCTIONS

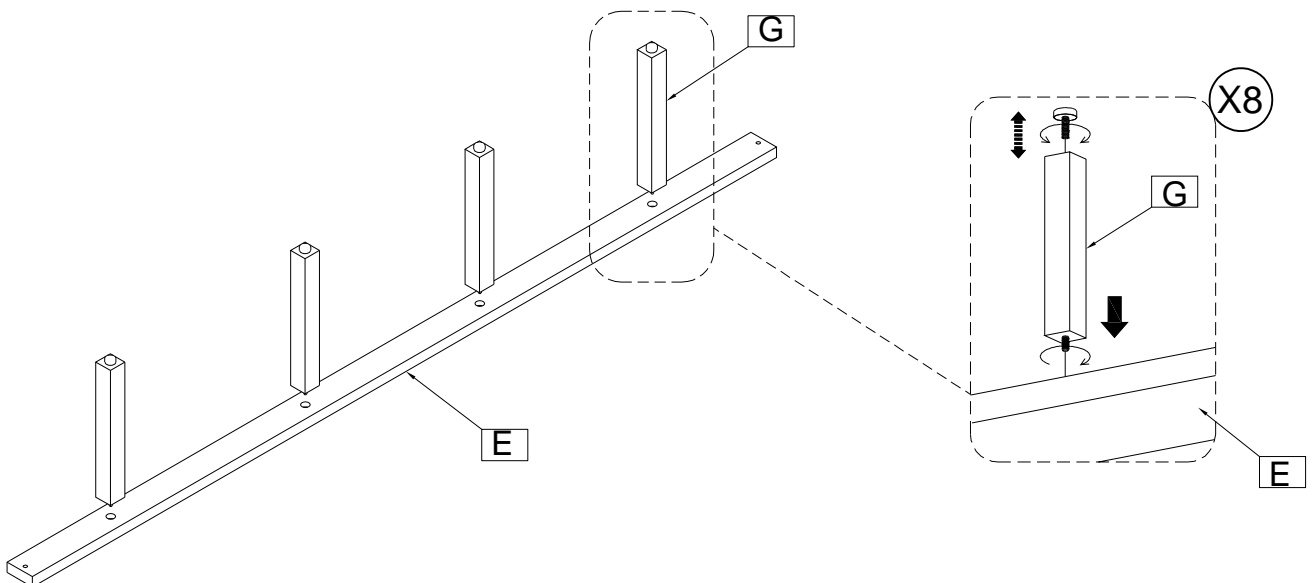
## STEP #5:



## STOP

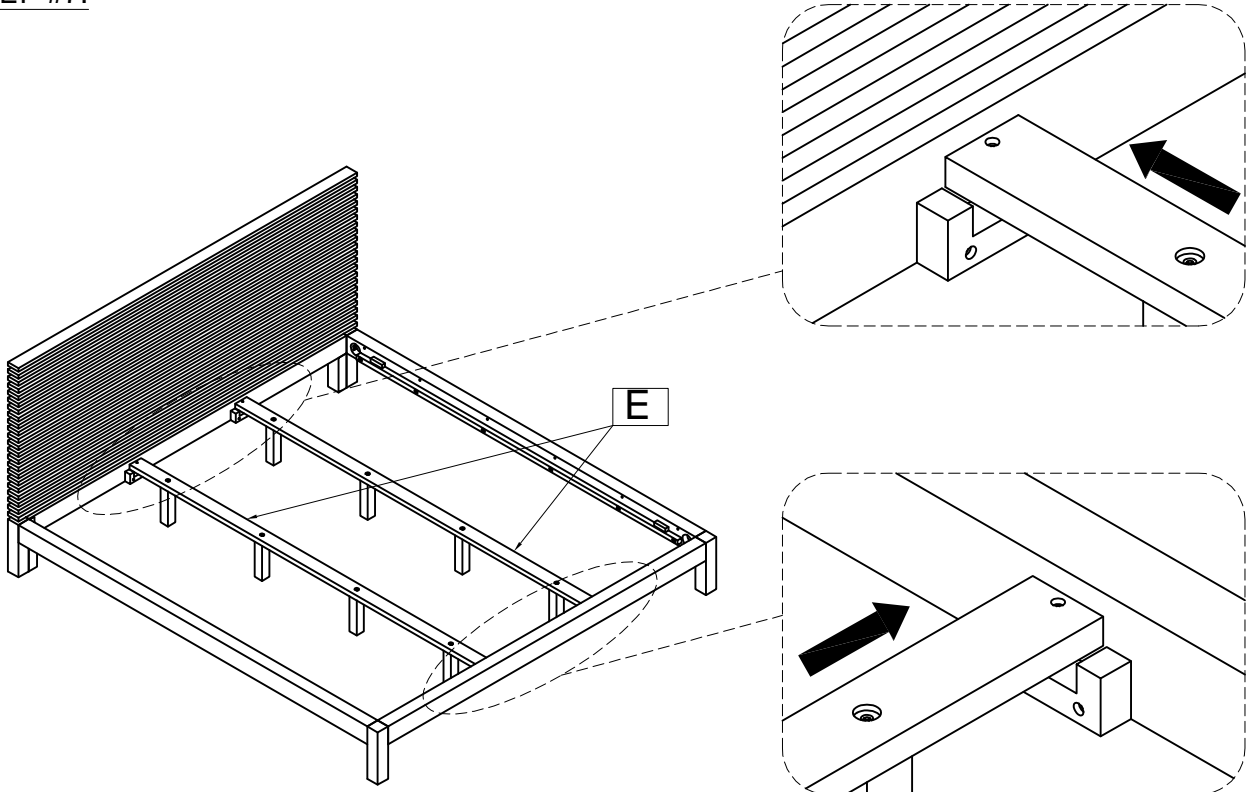
- \* IF USING BED FRAME WITH ADJUSTABLE MATTRESS BASE, SKIP TO APPENDIX A: ADJUSTABLE MATTRESS BASE ASSEMBLY SUPPLEMENT.
- \* IF USING BED FRAME WITH STANDARD BOX SPRING OR FOUNDATION CONTINUE TO STEP 6.

## STEP #6:

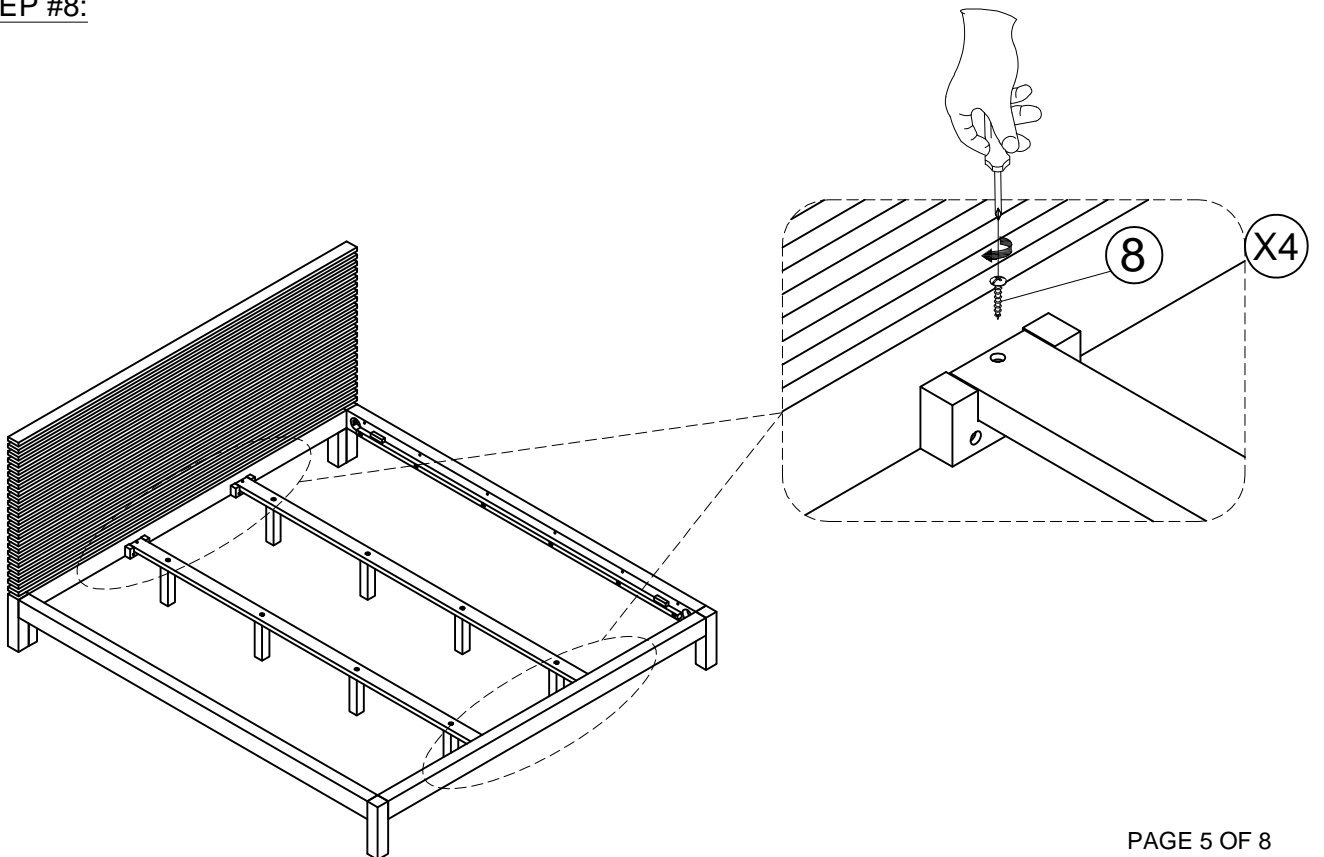


# QUEEN BED ASSEMBLY INSTRUCTIONS

## STEP #7:

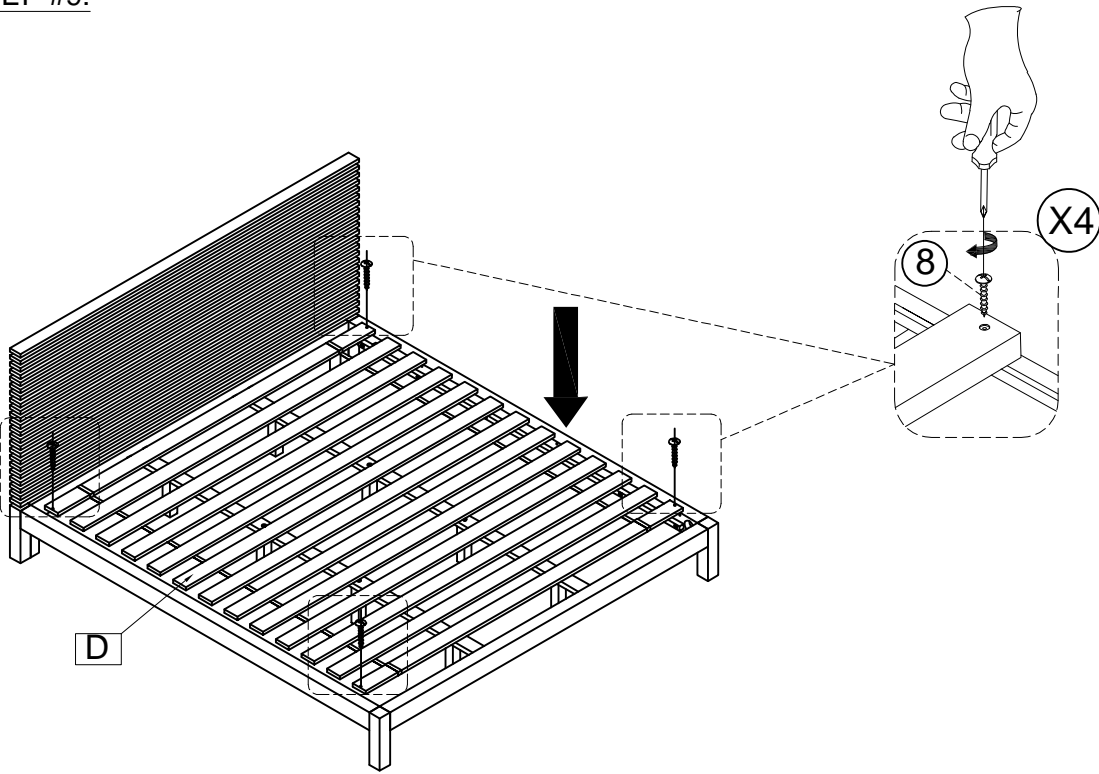


## STEP #8:

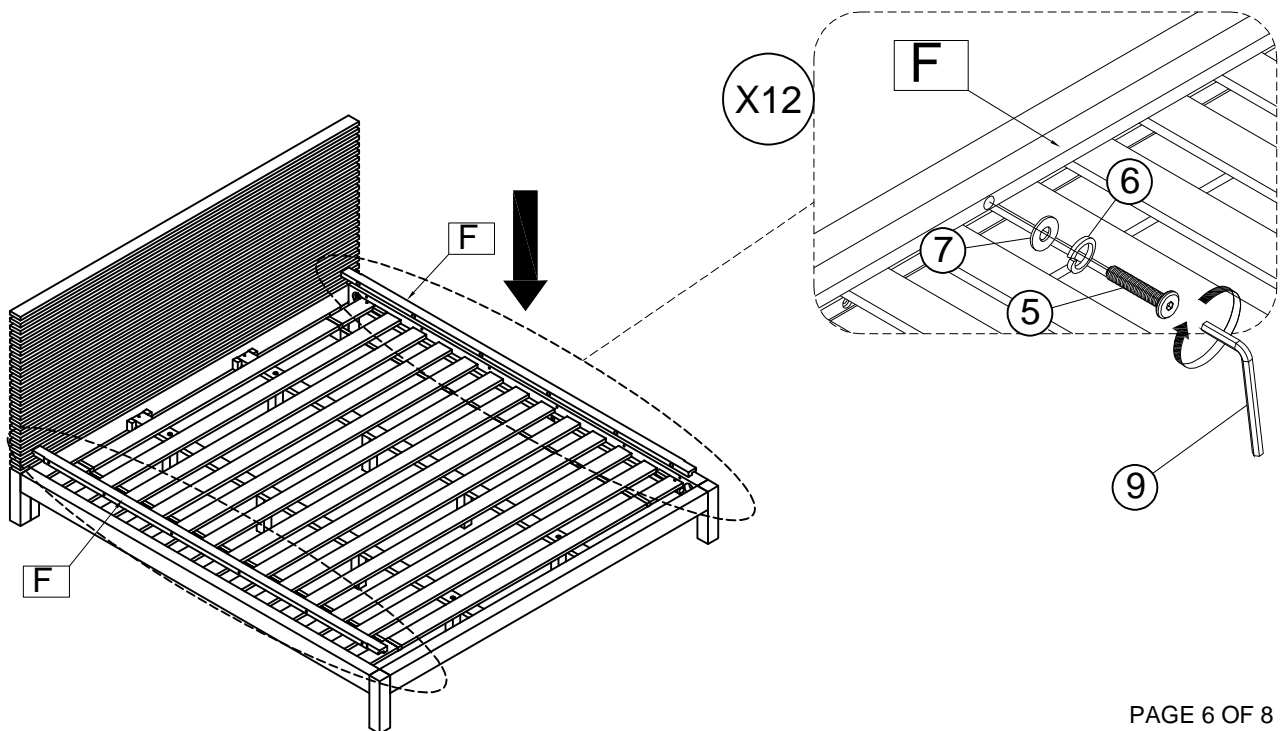


# QUEEN BED ASSEMBLY INSTRUCTIONS

## STEP #9:

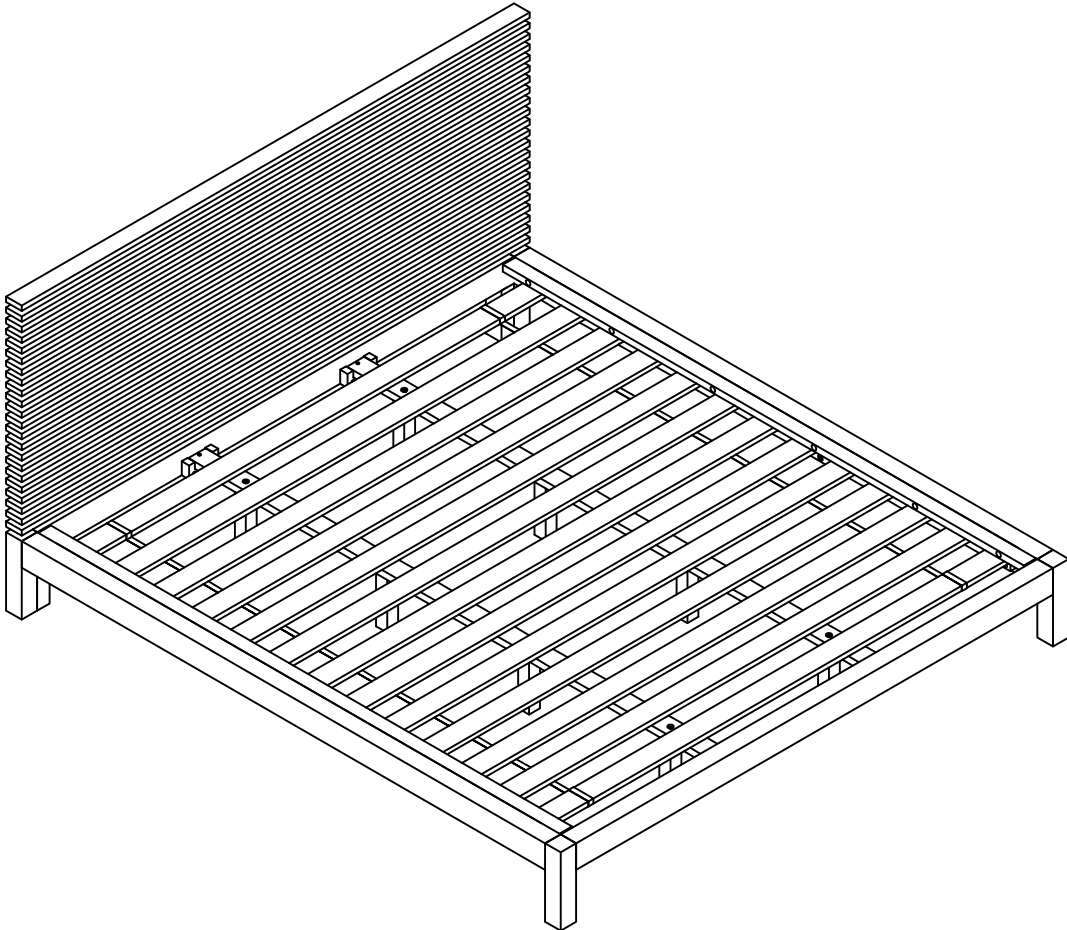


## STEP #10:



# QUEEN BED ASSEMBLY INSTRUCTIONS

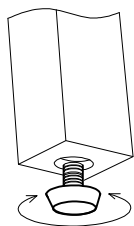
## STEP #11:



ASSEMBLY COMPLETE

### **INSTRUCTIONS FOR ADJUSTING LEVELER:**

- POSITION THE BED IN YOUR SPACE AND LOCATE THE LEVELER UNDER EACH SUPPORT LEG.
- TURN THE LEVELER COUNTER- CLOCKWISE TO EXTEND THE LEVELER AND CLOCKWISE TO RETRACT IT.
- ADJUST EACH LEVELER UNTIL EACH SUPPORT LEG IS APPLYING EQUAL, UPWARD PRESSURE ON THE BED SUPPORT SLAT.



### **MAINTENANCE INSTRUCTIONS:**

- PERIODICALLY CHECK ALL FITTINGS AND TIGHTEN IF NECESSARY, AS THEY CAN LOOSEN OVER TIME.
- ALWAYS REMOVE BOX SPRING AND MATTRESS BEFORE MOVING THE BED.
- LIFT THE BED WHEN MOVING IT. DRAGGING THE BED CAN DAMAGE THE CENTER SUPPORT.
- READJUST LEVELERS AFTER MOVING THE BED.

# QUEEN BED ASSEMBLY INSTRUCTIONS

AN ADJUSTABLE MATTRESS BASE IS A FREESTANDING MATTRESS SUPPORT THAT SITS WITHIN THE PERIMETER OF THE BED FRAME.

IF USING THIS BED FRAME WITH A STANDARD BOX SPRING OR FOUNDATION THESE INSTRUCTIONS DO NOT APPLY.

PRE-ASSEMBLED SIDE RAIL CLEATS OBSTRUCT ADJUSTABLE BASE INSTALLATION AND OPERATION.

FOLLOW THESE INSTRUCTIONS TO REMOVE THEM.

THE FOLLOWING PARTS ARE NOT REQUIRED FOR ADJUSTABLE MATTRESS BASE INSTALLATION:

D. SLAT ROLL 1 SET

E. CENTER SLAT SUPPORT 2 PCS

F. MATTRESS SPACER 2 PCS

G. SUPPORT LEG 8 PCS

5. ALLEN BOLT (1/4"x50mm) 12 PCS

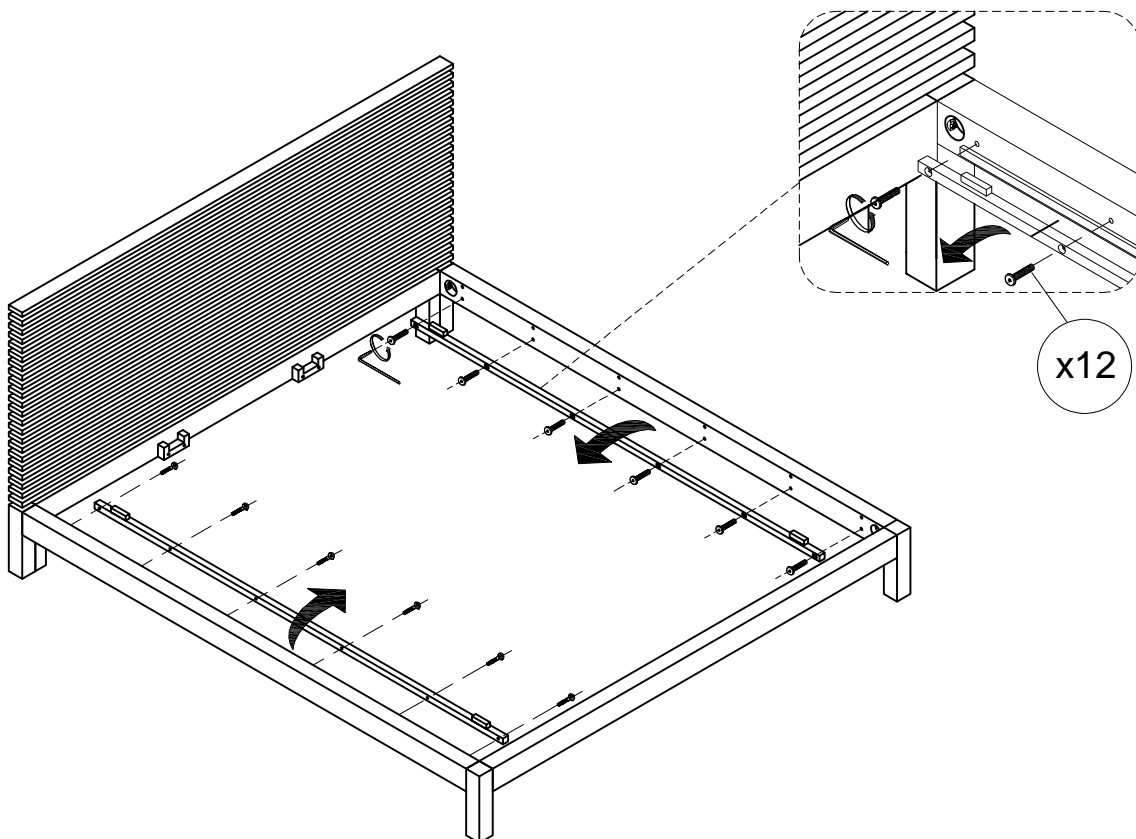
6. LOCK WASHER (5/16"x2mm) 12 PCS

7. FLAT WASHER (8x19mm) 12 PCS

8. WOOD SCREW (4x30MM) 8 PCS

## STEP 1:

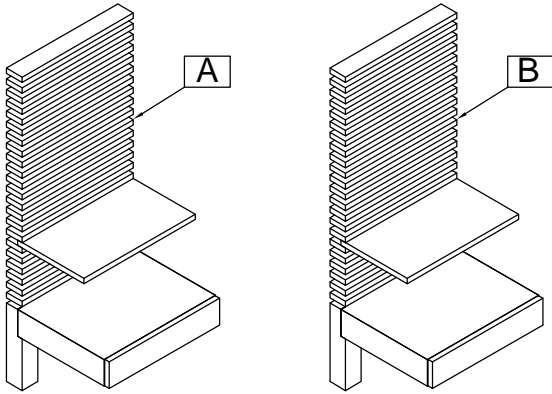
USE ALLEN KEY (9) IN BOX #2 TO UNSCREW ALLEN BOLTS AND REMOVE PRE-ASSEMBLED SIDE RAIL CLEATS.



NOTE: YOU MAY WISH TO RETAIN UNUSED PARTS IF IN THE FUTURE YOU INTEND TO USE THE BED FRAME WITH A STANDARD BOX SPRING OR FOUNDATION

# QUEEN BED ASSEMBLY INSTRUCTIONS

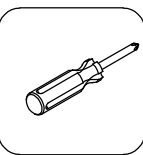
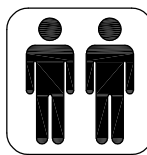
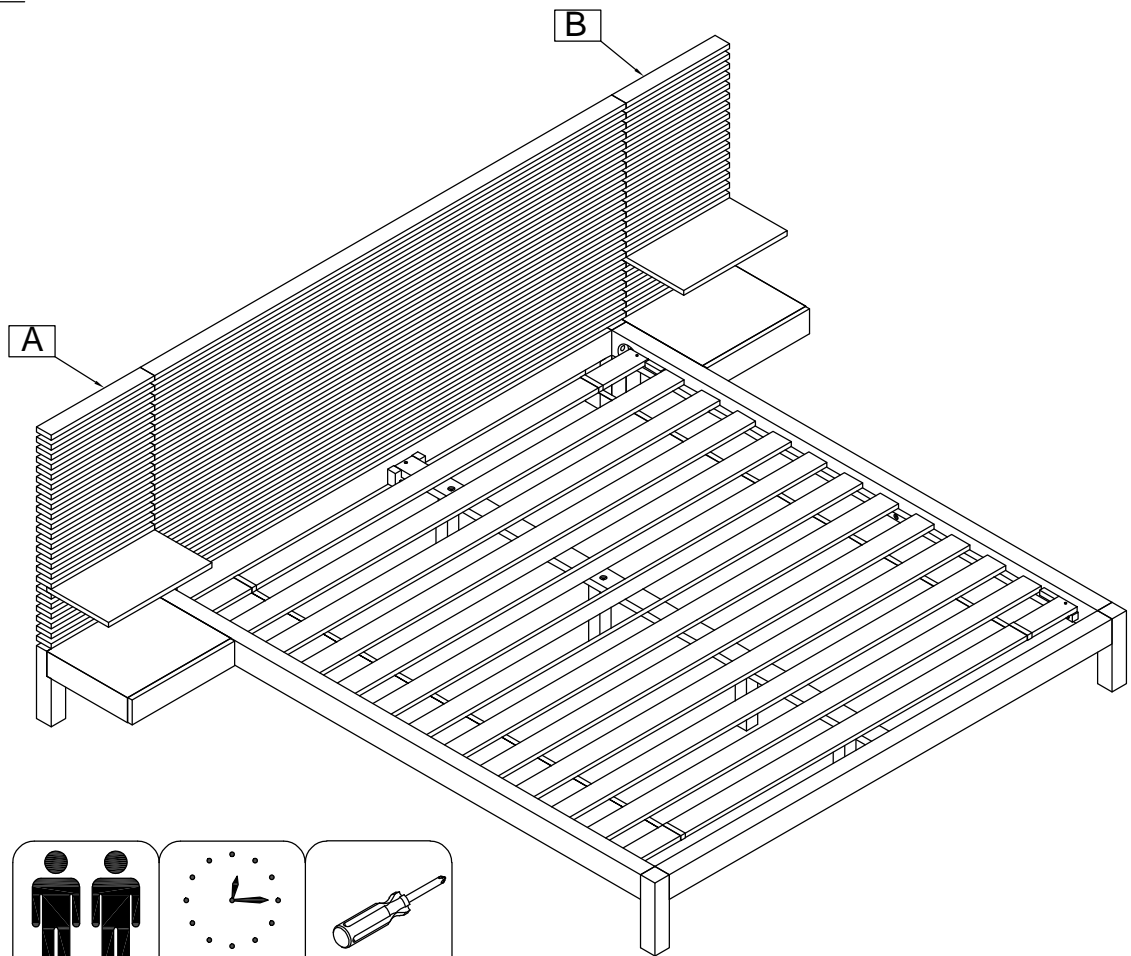
- A. LEFT SPREAD PANEL WING W/DRAWER 1 PC
- B. RIGHT SPREAD PANEL WING W/DRAWER 1 PC



## HARDWARE KIT PACKED IN BOX

No.	DESCRIPTION	IMAGE	QUANTITY
1	METAL BRACKET (3x17x60mm)		8 PCS
2	METAL BRACKET (3x60x100mm)		2 PCS
3	ALLEN BOLT (1/4"x20mm)		24 PCS
4	LOCK WASHER (1/4"x2mm)		24 PCS
5	FLAT WASHER (6x19mm)		24 PCS
6	ALLEN KEY		1 PC

### FULLY ASSEMBLED

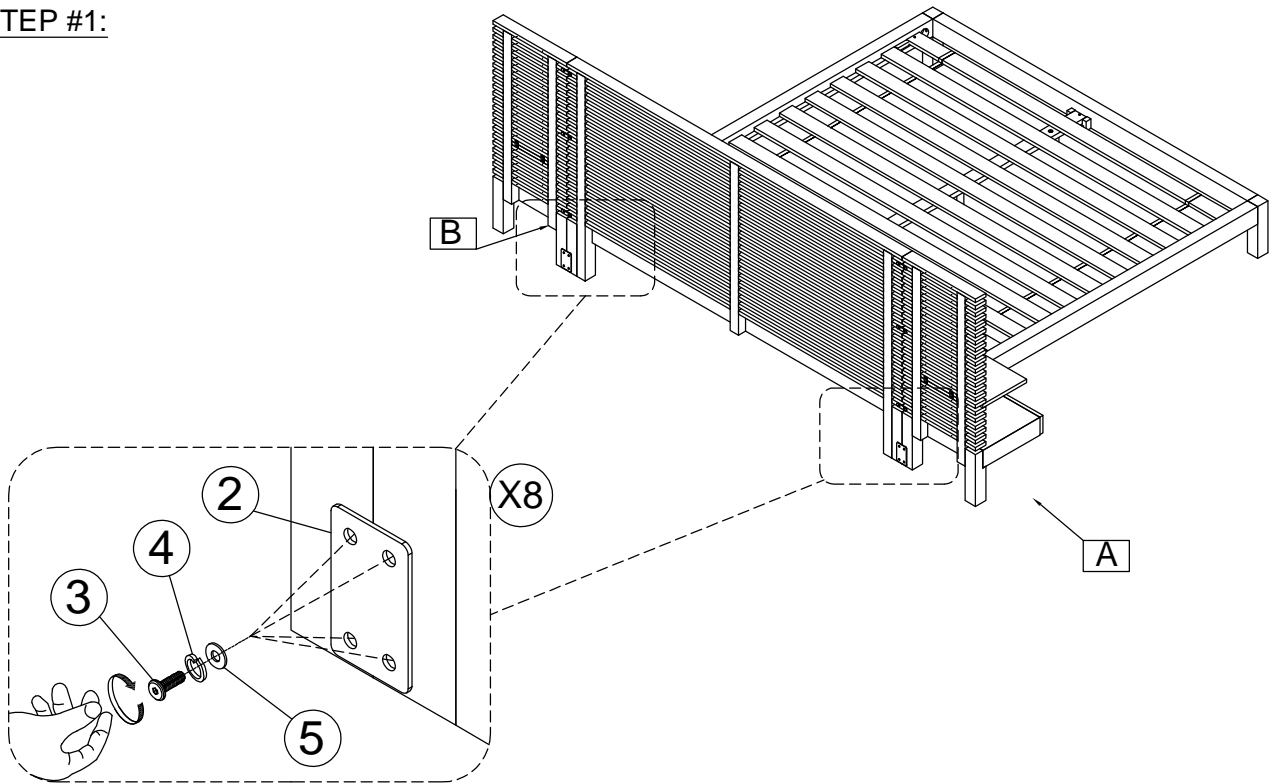


Not provided

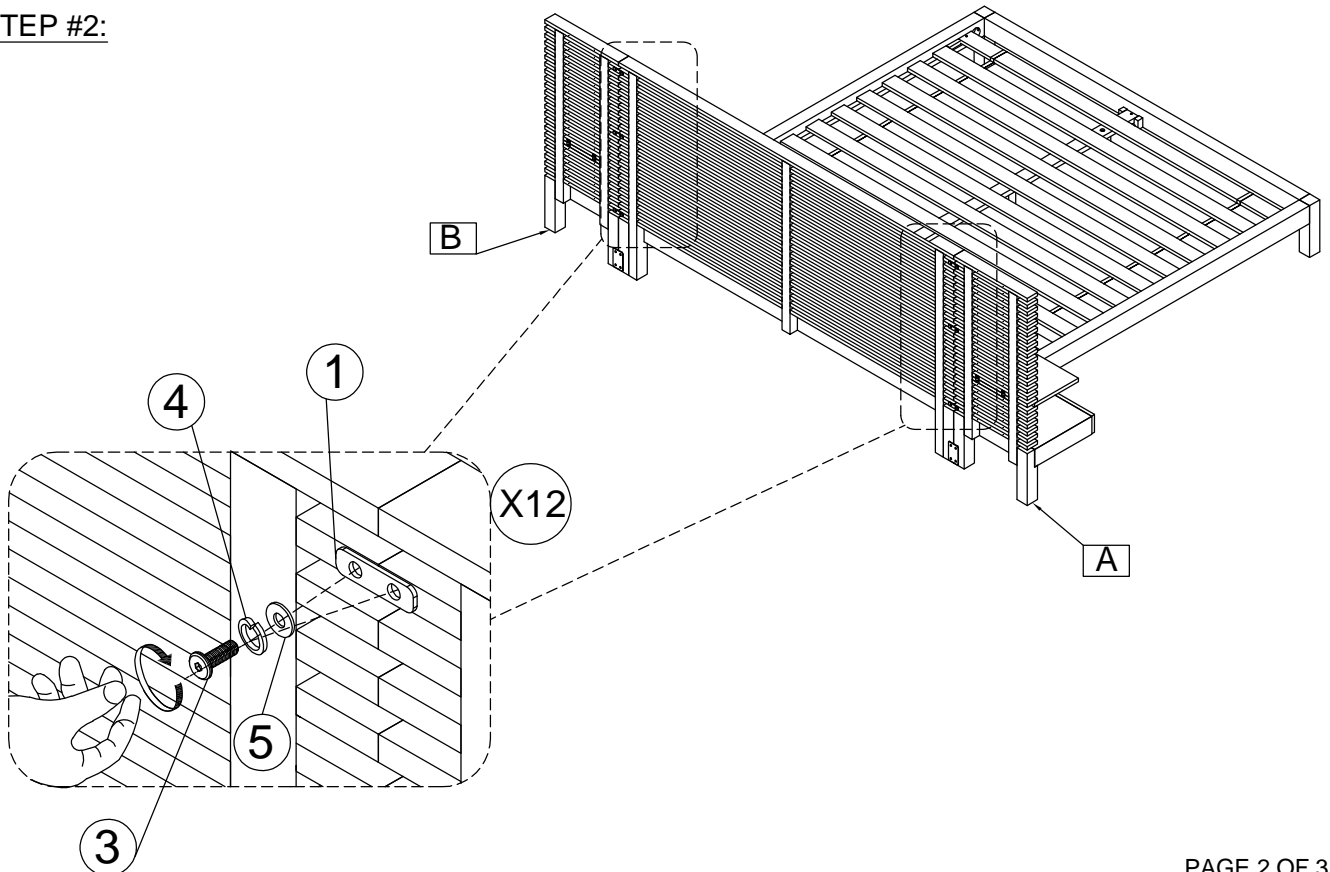
ASSEMBLE ON A SOFT SURFACE

# QUEEN BED ASSEMBLY INSTRUCTIONS

## STEP #1:

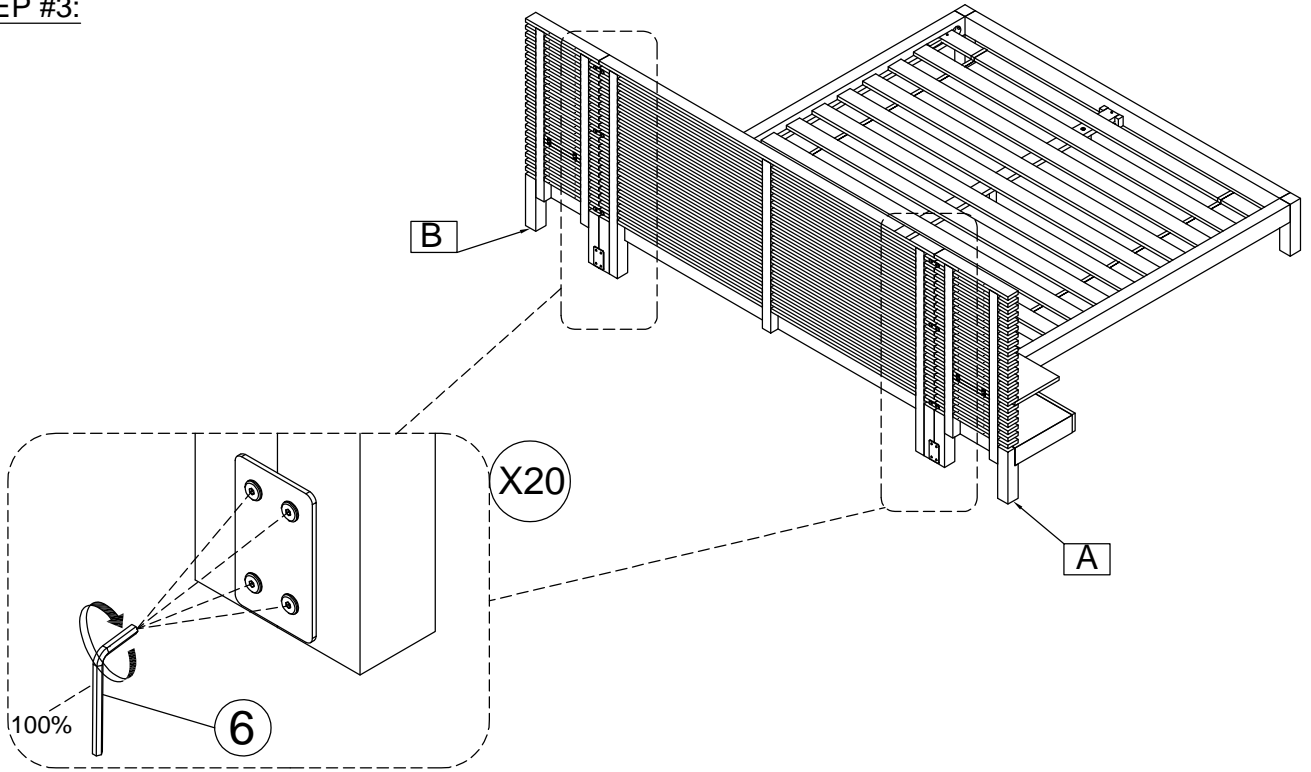


## STEP #2:

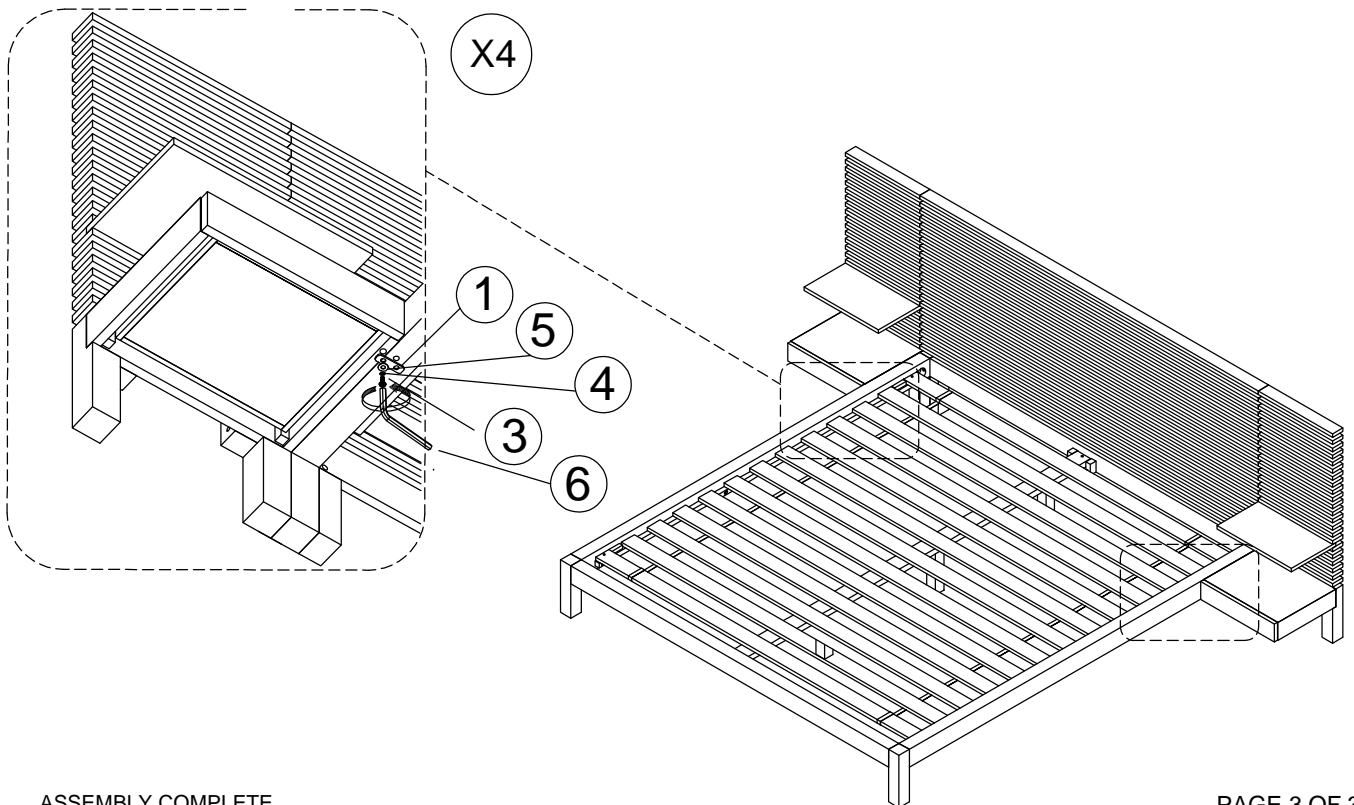


# QUEEN BED ASSEMBLY INSTRUCTIONS

## STEP #3:



## STEP #4:



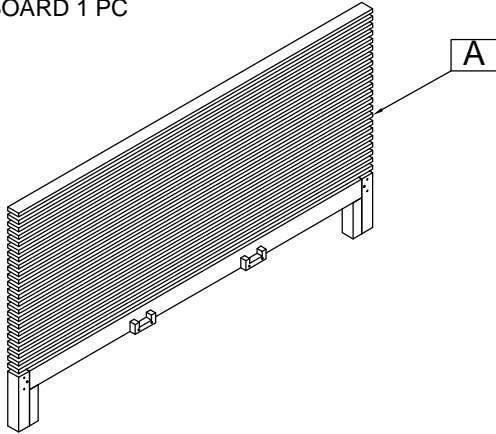
ASSEMBLY COMPLETE

PAGE 3 OF 3

# QUEEN BED ASSEMBLY INSTRUCTIONS

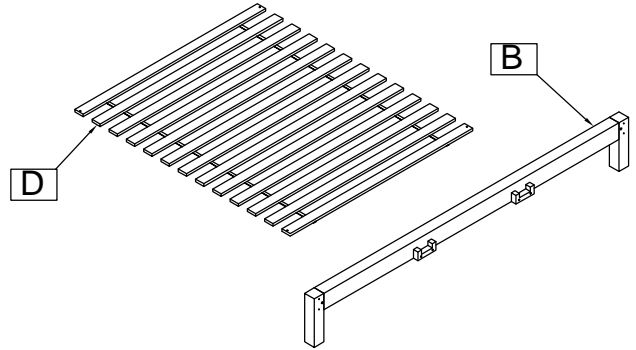
BOX #1

A. HEADBOARD 1 PC



BOX #2

B. FOOTBOARD 1 PC  
D. SLAT ROLL 1 SET  
BED HARDWARE BOX

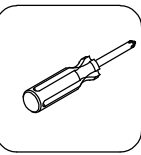
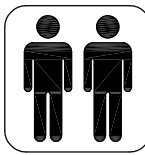
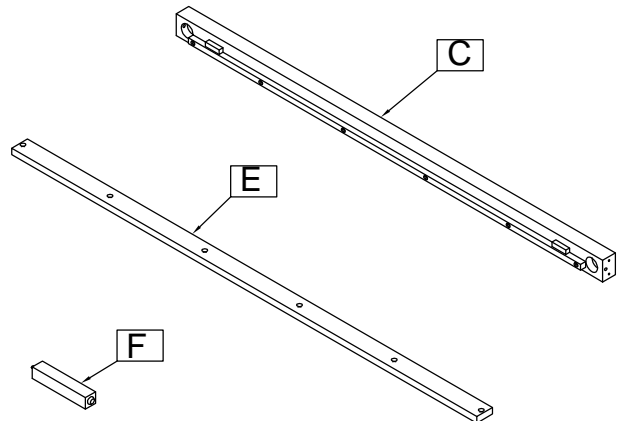


## HARDWARE KIT PACKED IN BOX #2

No.	DESCRIPTION	IMAGE	QUANTITY
1	METAL DOWEL (8x40mm)		8 PCS
2	ALL- THREAD BOLT (5/16"x80mm)		4 PCS
3	THREADED HALF MOON WASHER NUT (5/16")		4 PCS
4	SPANNER		1 PC
5	WOOD SCREW (4x30mm)		8 PCS
6	ALLEN KEY		1 PC

BOX #3 :

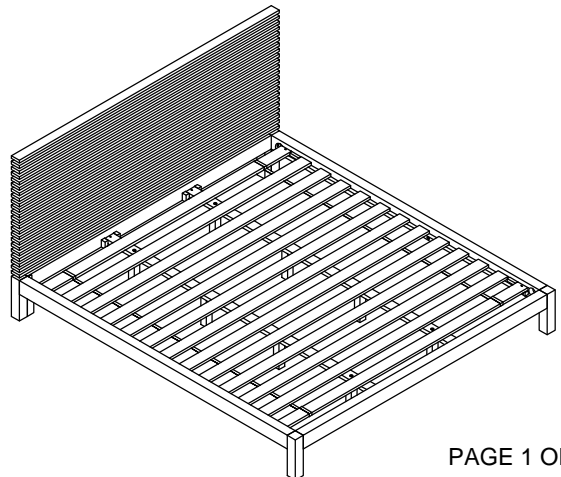
C. SIDE RAIL 2 PCS  
E. CENTER SLAT SUPPORT 2 PCS  
F. SUPPORT LEG 8 PCS



Not provided

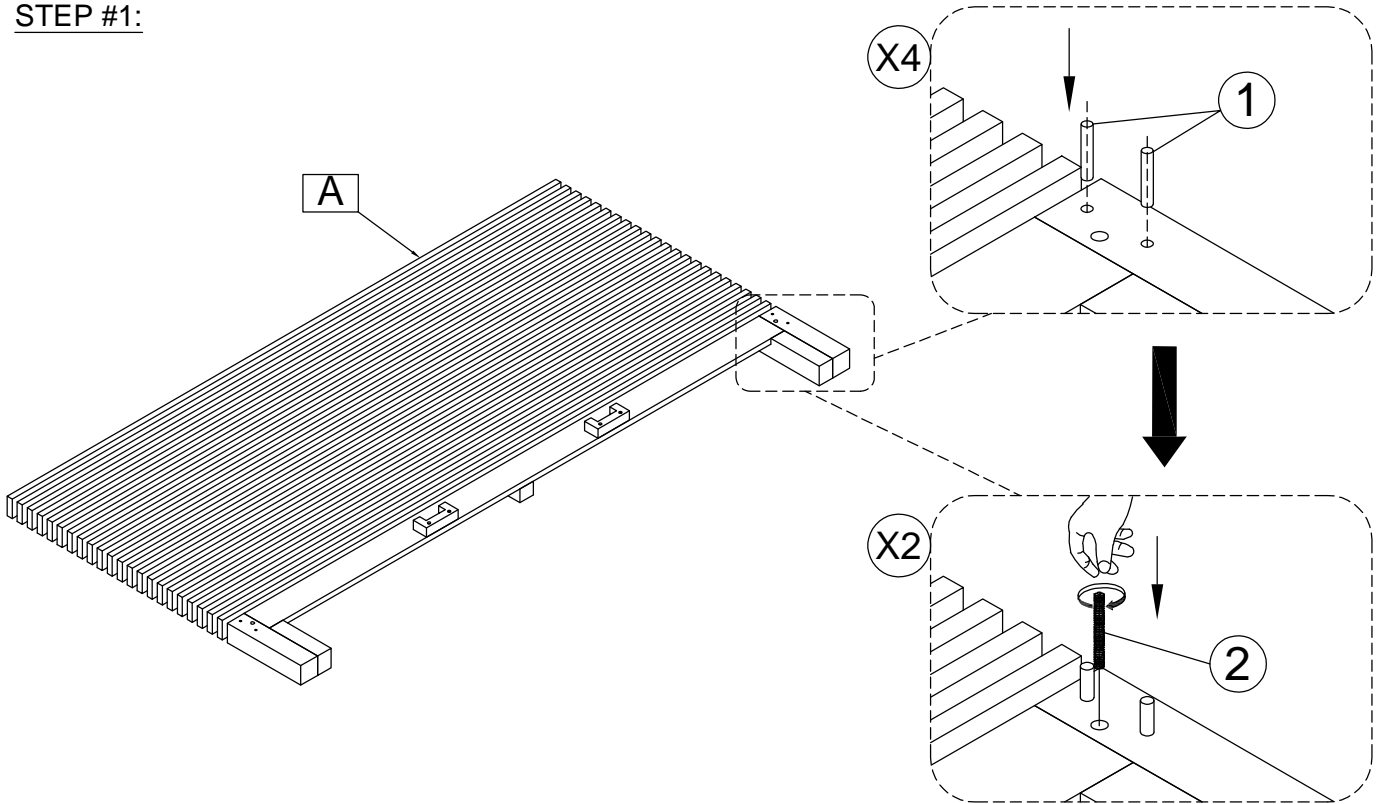
ASSEMBLE ON A SOFT SURFACE

FULLY ASSEMBLED

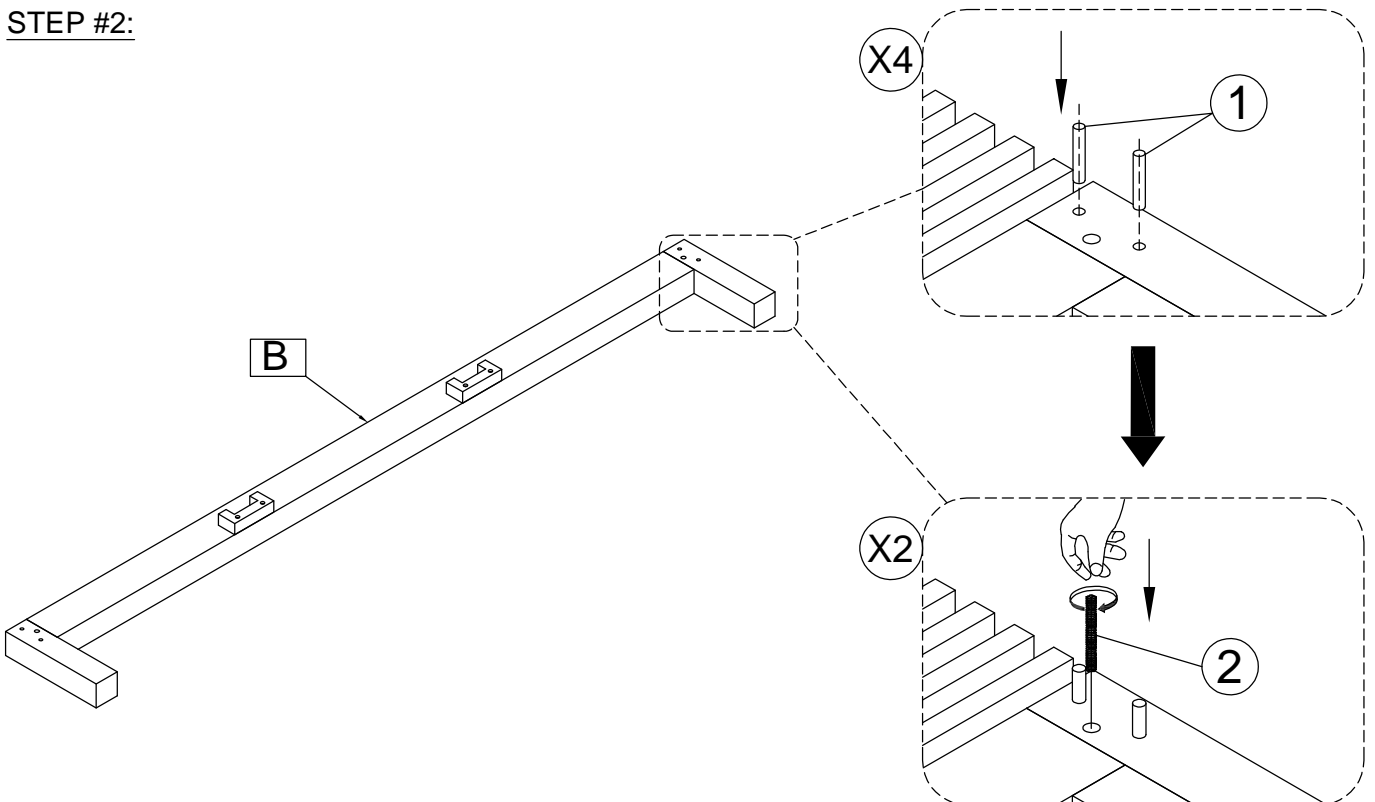


# QUEEN BED ASSEMBLY INSTRUCTIONS

## STEP #1:

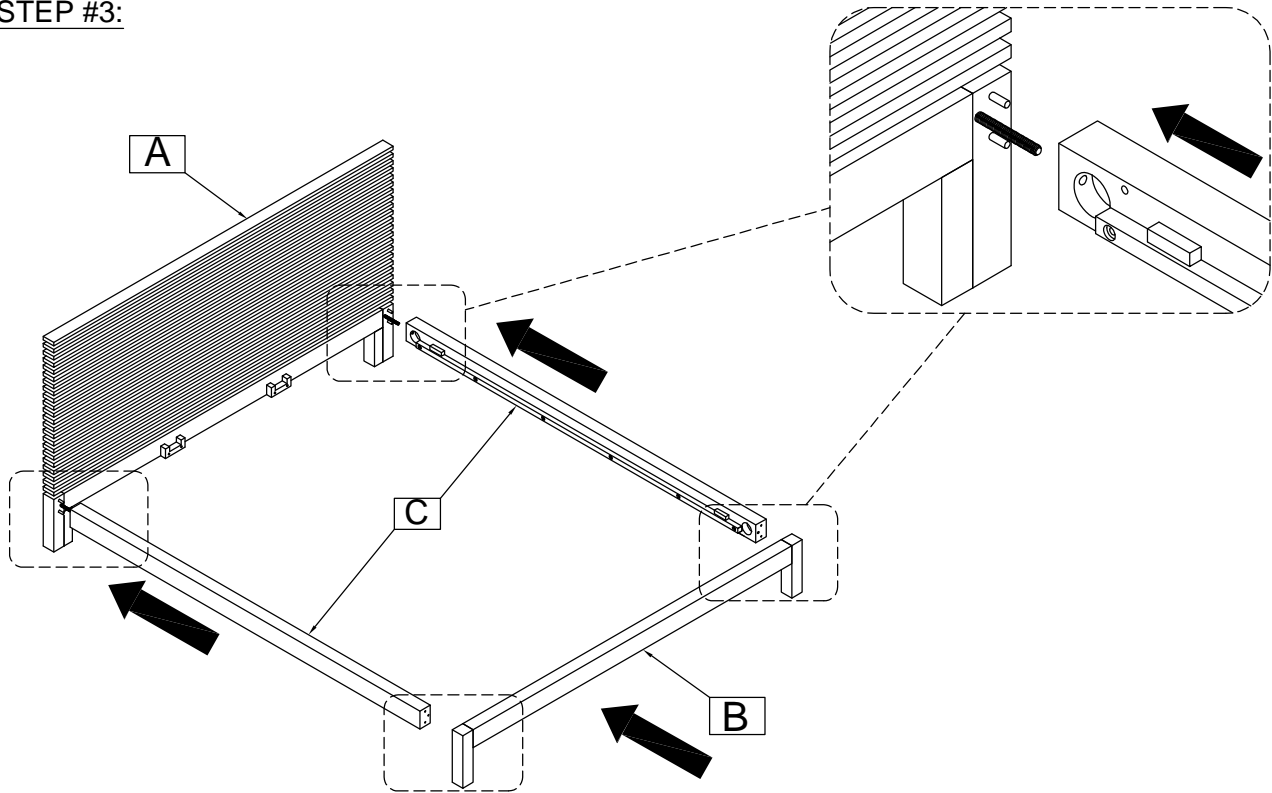


## STEP #2:

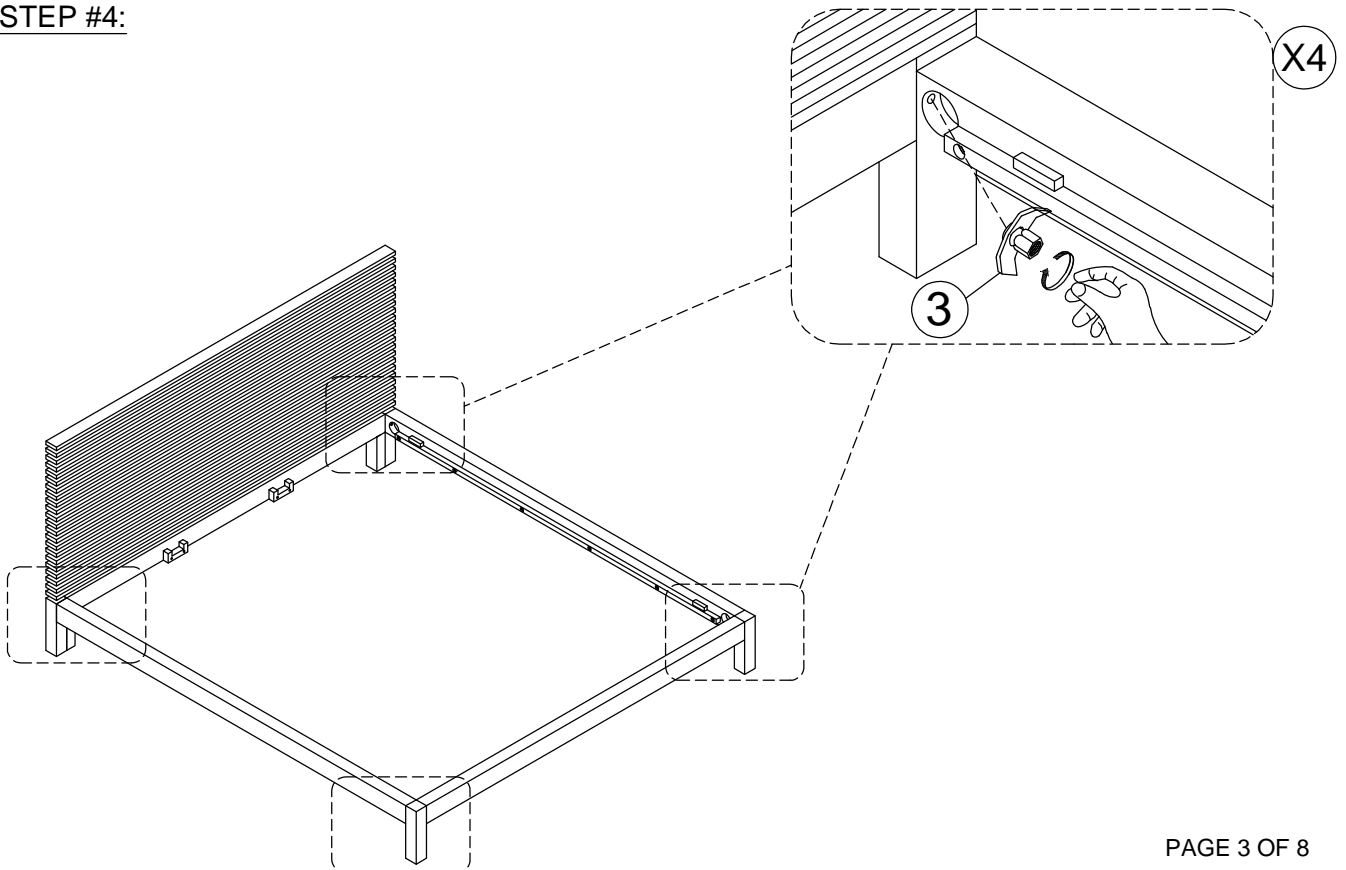


# QUEEN BED ASSEMBLY INSTRUCTIONS

## STEP #3:

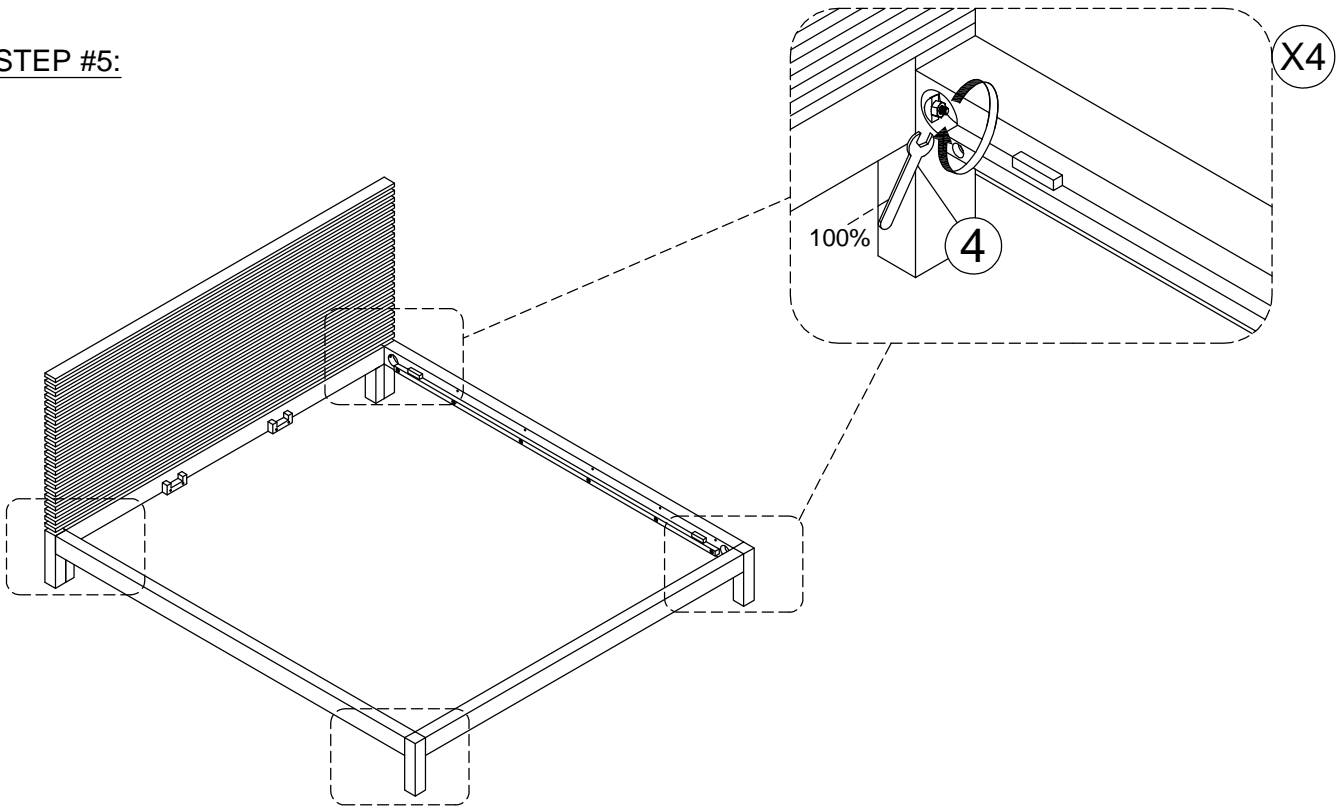


## STEP #4:



# QUEEN BED ASSEMBLY INSTRUCTIONS

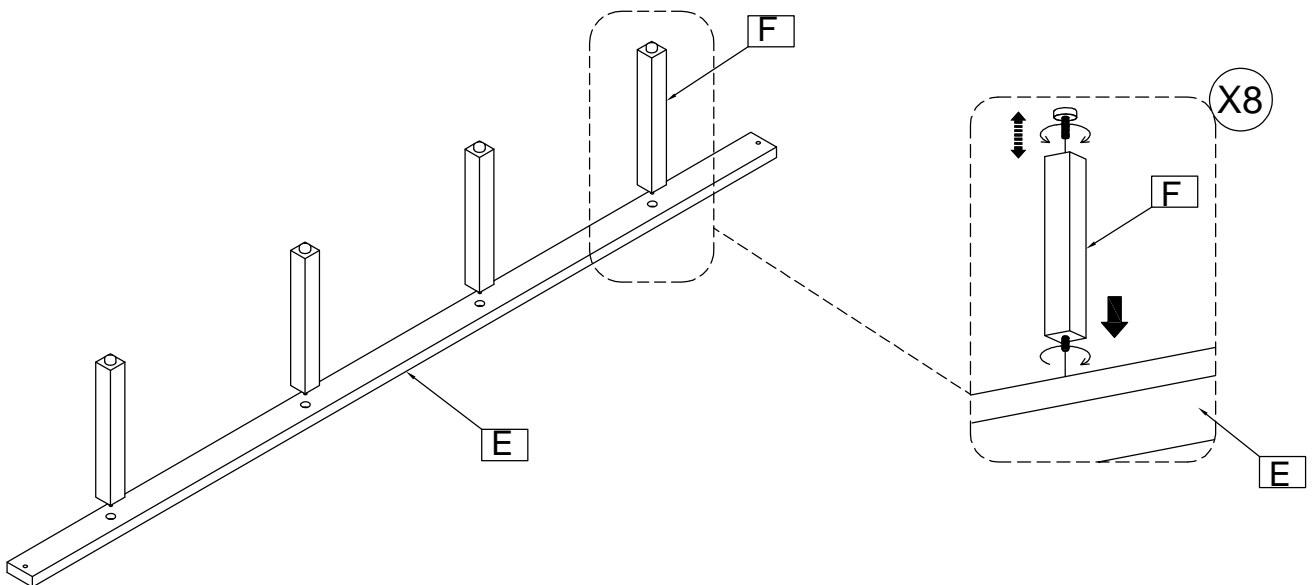
**STEP #5:**



## STOP

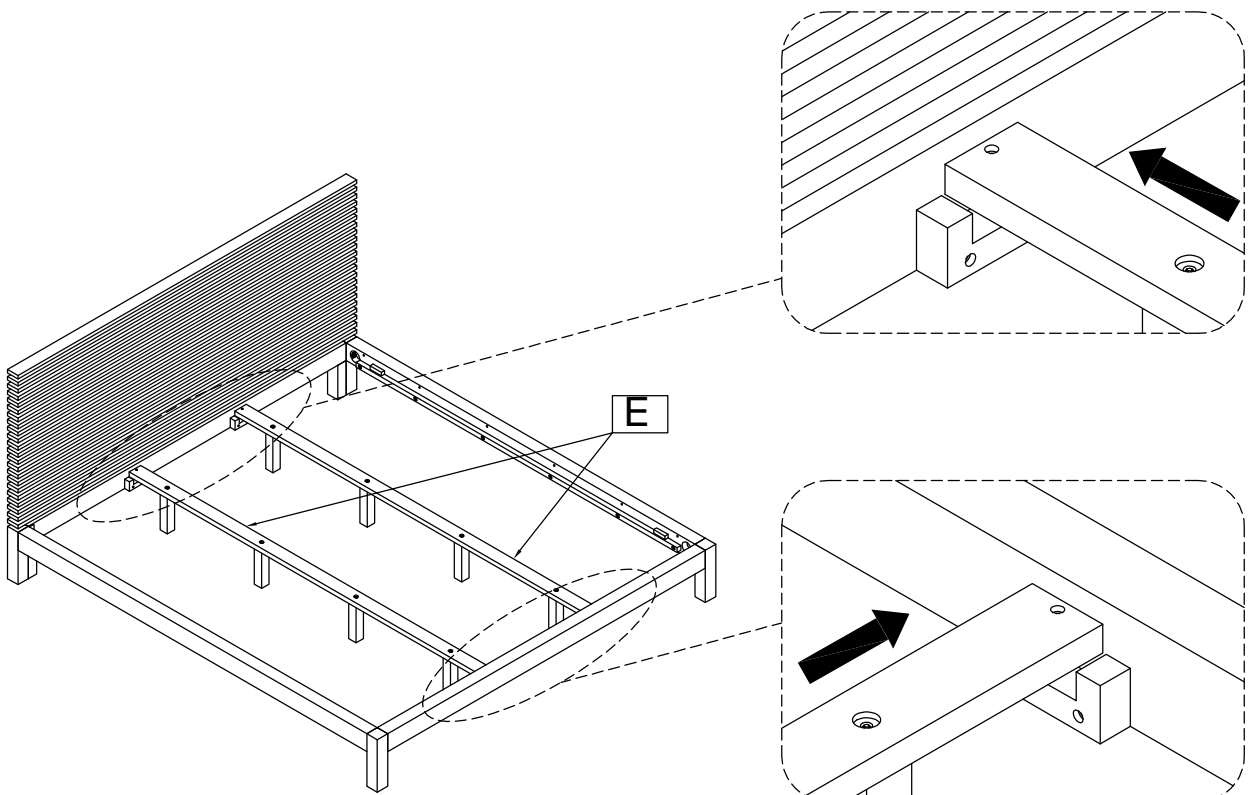
- \* IF USING BED FRAME WITH ADJUSTABLE MATTRESS BASE, SKIP TO APPENDIX A: ADJUSTABLE MATTRESS BASE ASSEMBLY SUPPLEMENT.
- \* IF USING BED FRAME WITH STANDARD BOX SPRING OR FOUNDATION CONTINUE TO STEP 6.

**STEP #6:**



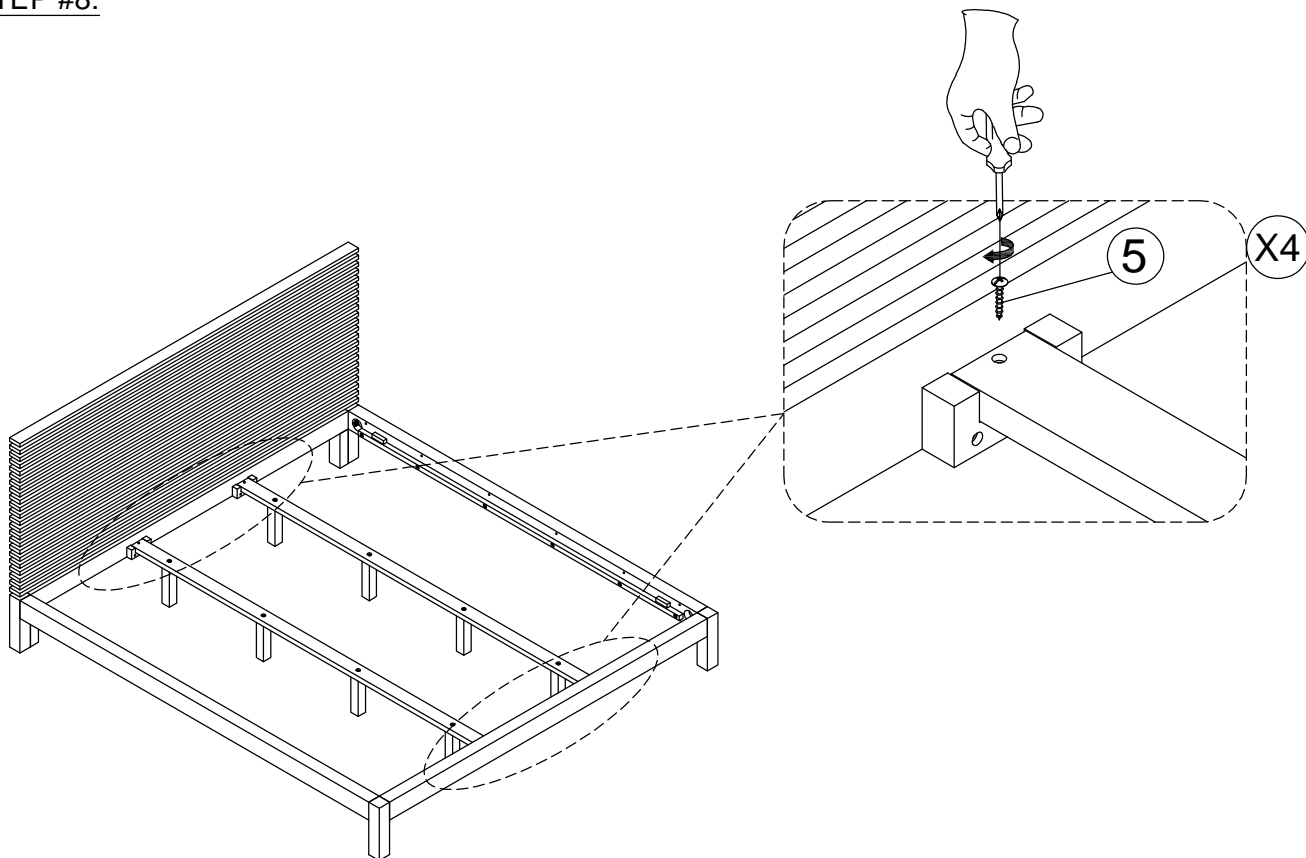
# QUEEN BED ASSEMBLY INSTRUCTIONS

STEP #7:

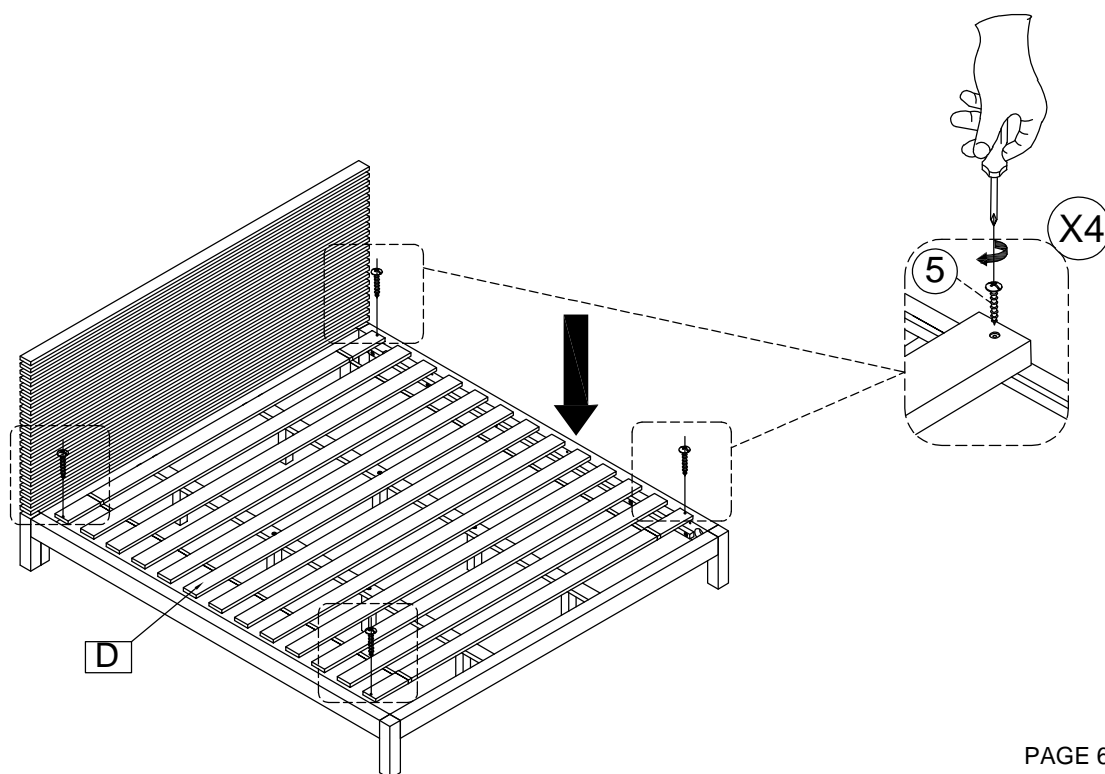


# QUEEN BED ASSEMBLY INSTRUCTIONS

## STEP #8:

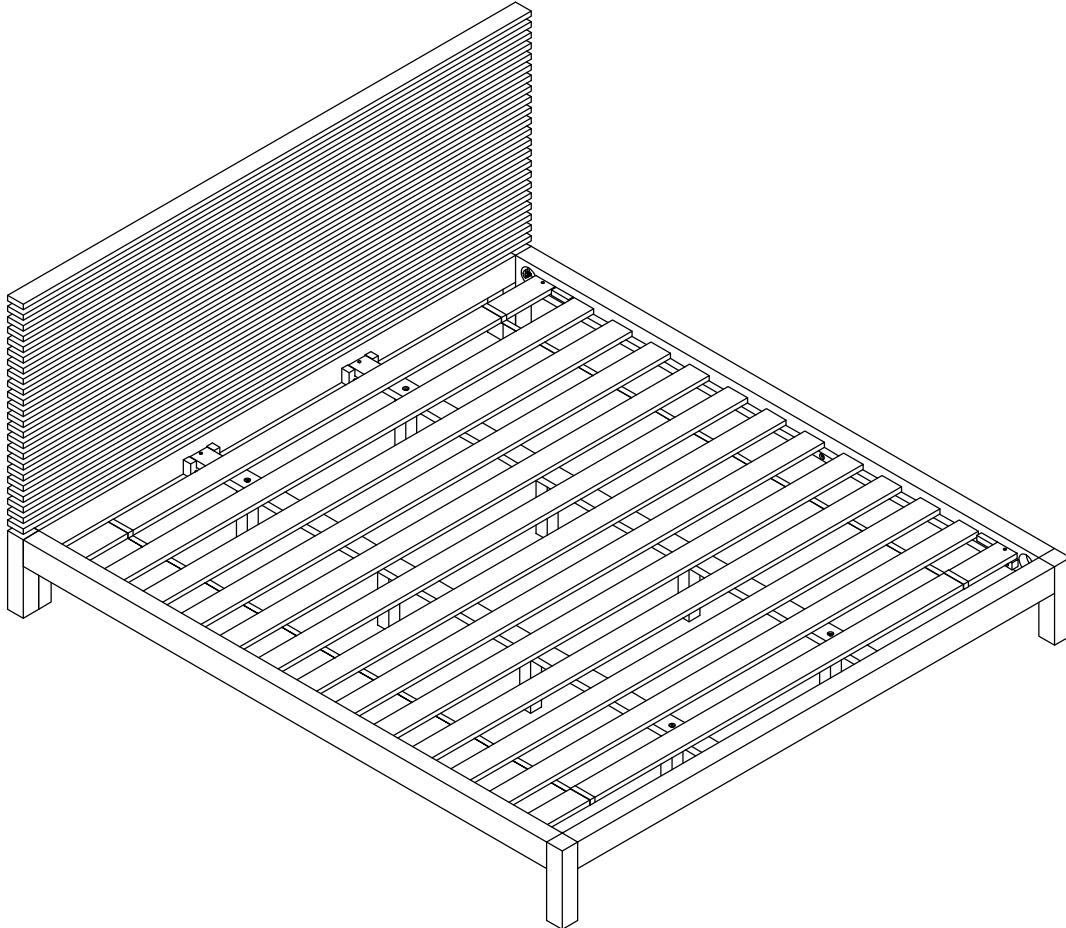


## STEP #9:



# QUEEN BED ASSEMBLY INSTRUCTIONS

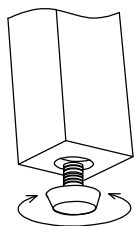
## STEP #10:



ASSEMBLY COMPLETE

### **INSTRUCTIONS FOR ADJUSTING LEVELER:**

- POSITION THE BED IN YOUR SPACE AND LOCATE THE LEVELER UNDER EACH SUPPORT LEG.
- TURN THE LEVELER COUNTER- CLOCKWISE TO EXTEND THE LEVELER AND CLOCKWISE TO RETRACT IT.
- ADJUST EACH LEVELER UNTIL EACH SUPPORT LEG IS APPLYING EQUAL, UPWARD PRESSURE ON THE BED SUPPORT SLAT.



### **MAINTENANCE INSTRUCTIONS:**

- PERIODICALLY CHECK ALL FITTINGS AND TIGHTEN IF NECESSARY, AS THEY CAN LOOSEN OVER TIME.
- ALWAYS REMOVE BOX SPRING AND MATTRESS BEFORE MOVING THE BED.
- LIFT THE BED WHEN MOVING IT. DRAGGING THE BED CAN DAMAGE THE CENTER SUPPORT.
- READJUST LEVELERS AFTER MOVING THE BED.

# QUEEN BED ASSEMBLY INSTRUCTIONS

AN ADJUSTABLE MATTRESS BASE IS A FREESTANDING MATTRESS SUPPORT THAT SITS WITHIN THE PERIMETER OF THE BED FRAME.

IF USING THIS BED FRAME WITH A STANDARD BOX SPRING OR FOUNDATION THESE INSTRUCTIONS DO NOT APPLY.

PRE-ASSEMBLED SIDE RAIL CLEATS OBSTRUCT ADJUSTABLE BASE INSTALLATION AND OPERATION.

FOLLOW THESE INSTRUCTIONS TO REMOVE THEM.

THE FOLLOWING PARTS ARE NOT REQUIRED FOR ADJUSTABLE MATTRESS BASE INSTALLATION:

D. SLAT ROLL 1 SET

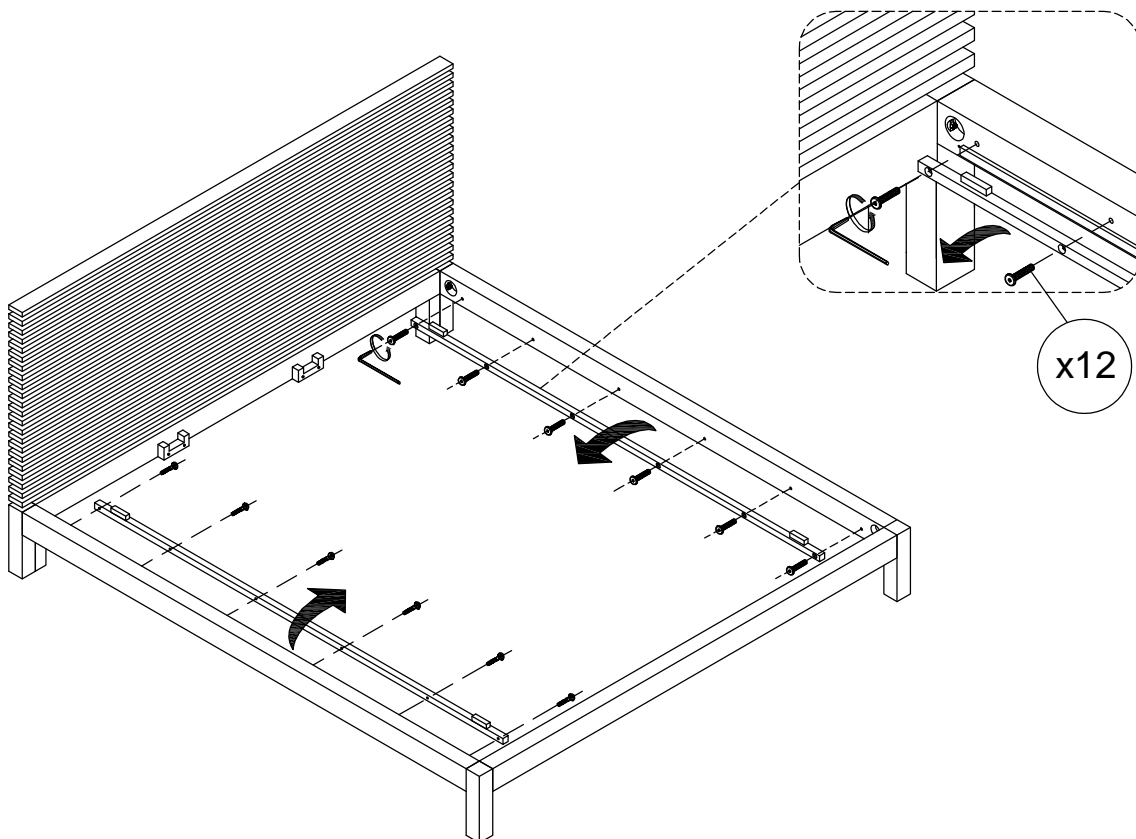
5. WOOD SCREW (4x30MM) 8 PCS

E. CENTER SLAT SUPPORT 2 PCS

F. SUPPORT LEG 8 PCS

## STEP 1:

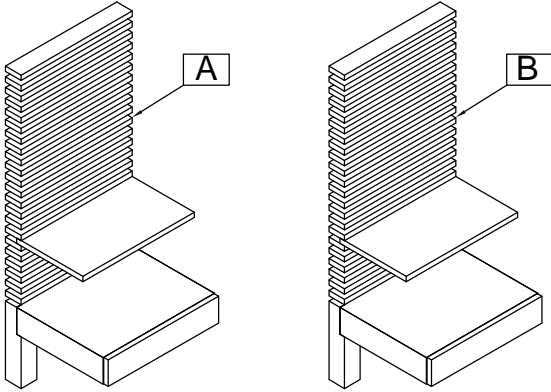
USE ALLEN KEY (6) IN BOX #2 TO UNSCREW ALLEN BOLTS AND REMOVE PRE-ASSEMBLED SIDE RAIL CLEATS.



NOTE: YOU MAY WISH TO RETAIN UNUSED PARTS IF IN THE FUTURE YOU INTEND TO USE THE BED FRAME WITH A STANDARD BOX SPRING OR FOUNDATION

# QUEEN BED ASSEMBLY INSTRUCTIONS

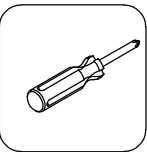
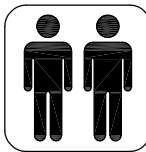
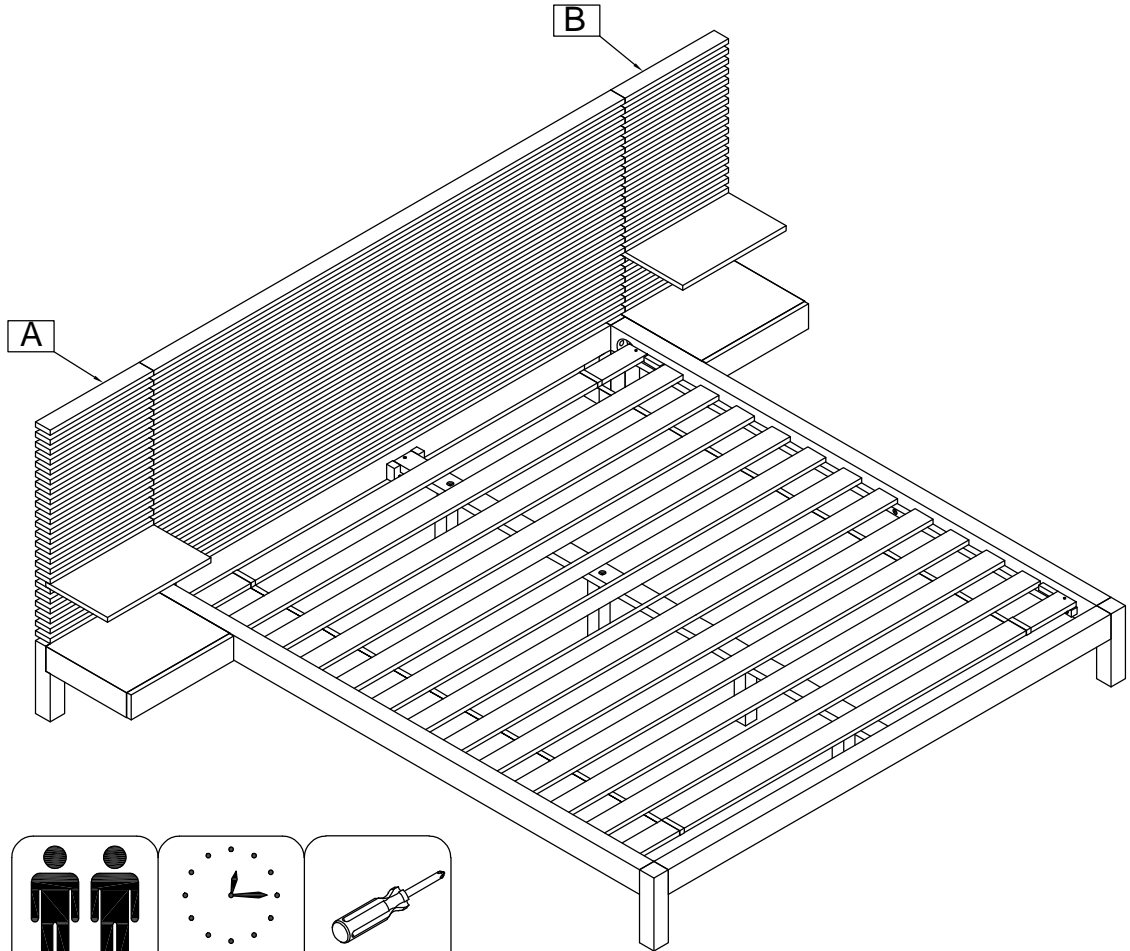
- A. LEFT SPREAD PANEL WING W/DRAWER 1 PC
- B. RIGHT SPREAD PANEL WING W/DRAWER 1 PC



## HARDWARE KIT PACKED IN BOX

No.	DESCRIPTION	IMAGE	QUANTITY
1	METAL BRACKET (3x17x60mm)		8 PCS
2	METAL BRACKET (3x60x100mm)		2 PCS
3	ALLEN BOLT (1/4"x20mm)		24 PCS
4	LOCK WASHER (1/4"x2mm)		24 PCS
5	FLAT WASHER (6x19mm)		24 PCS
6	ALLEN KEY		1 PC

### FULLY ASSEMBLED

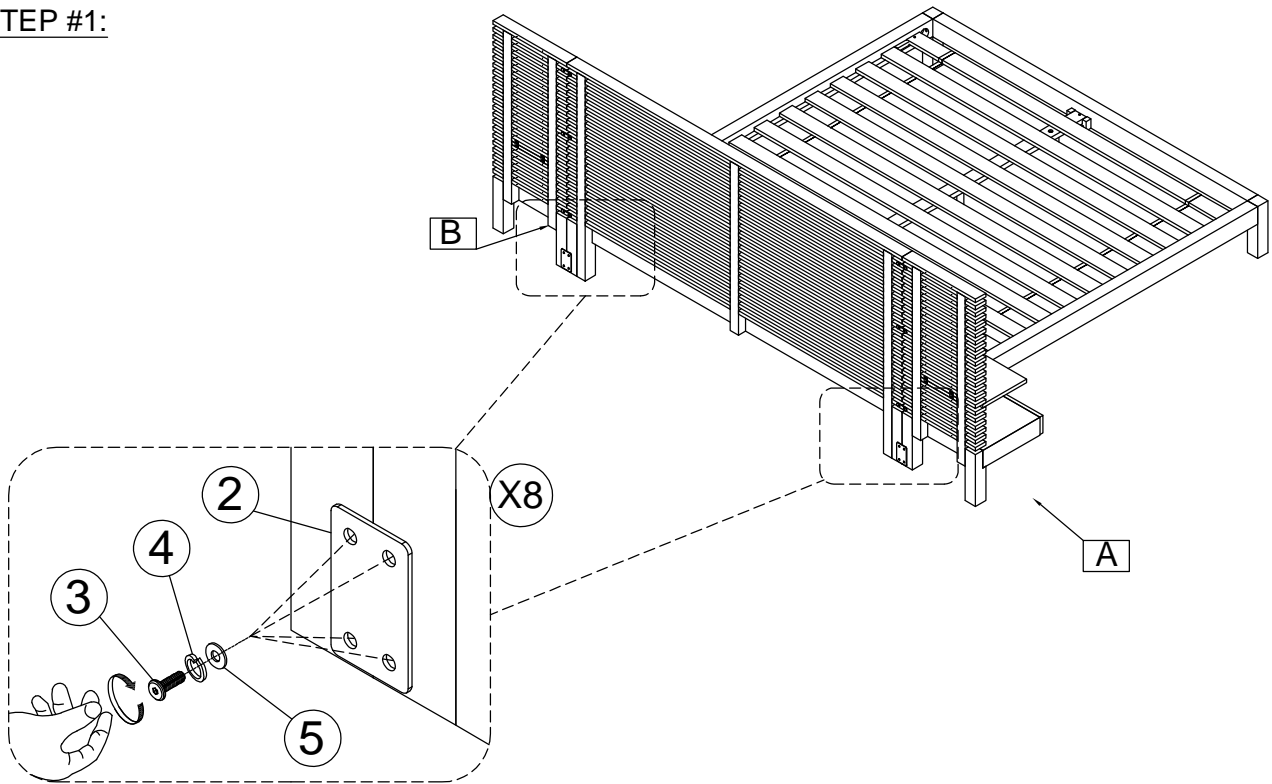


Not provided

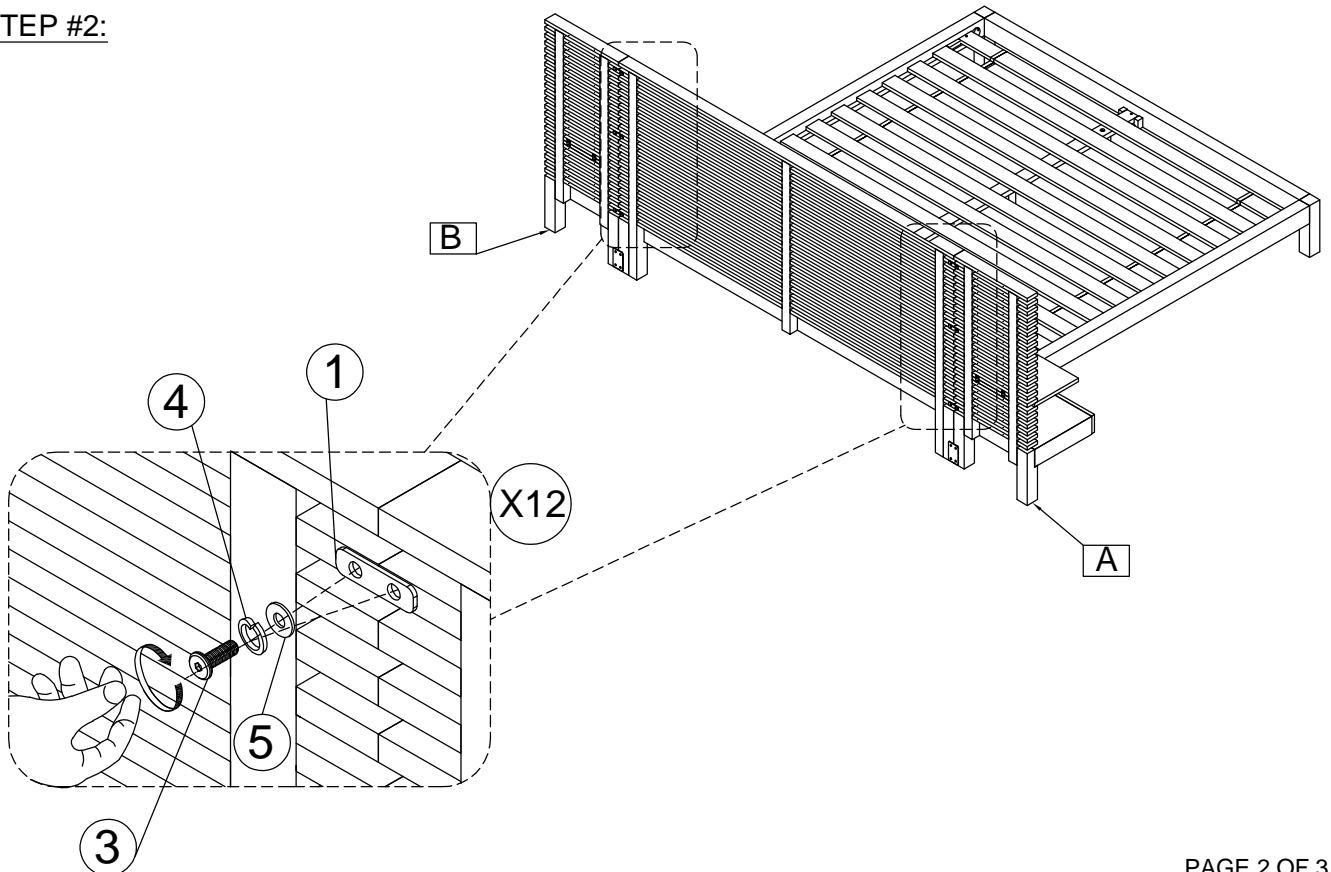
ASSEMBLE ON A SOFT SURFACE

# QUEEN BED ASSEMBLY INSTRUCTIONS

## STEP #1:

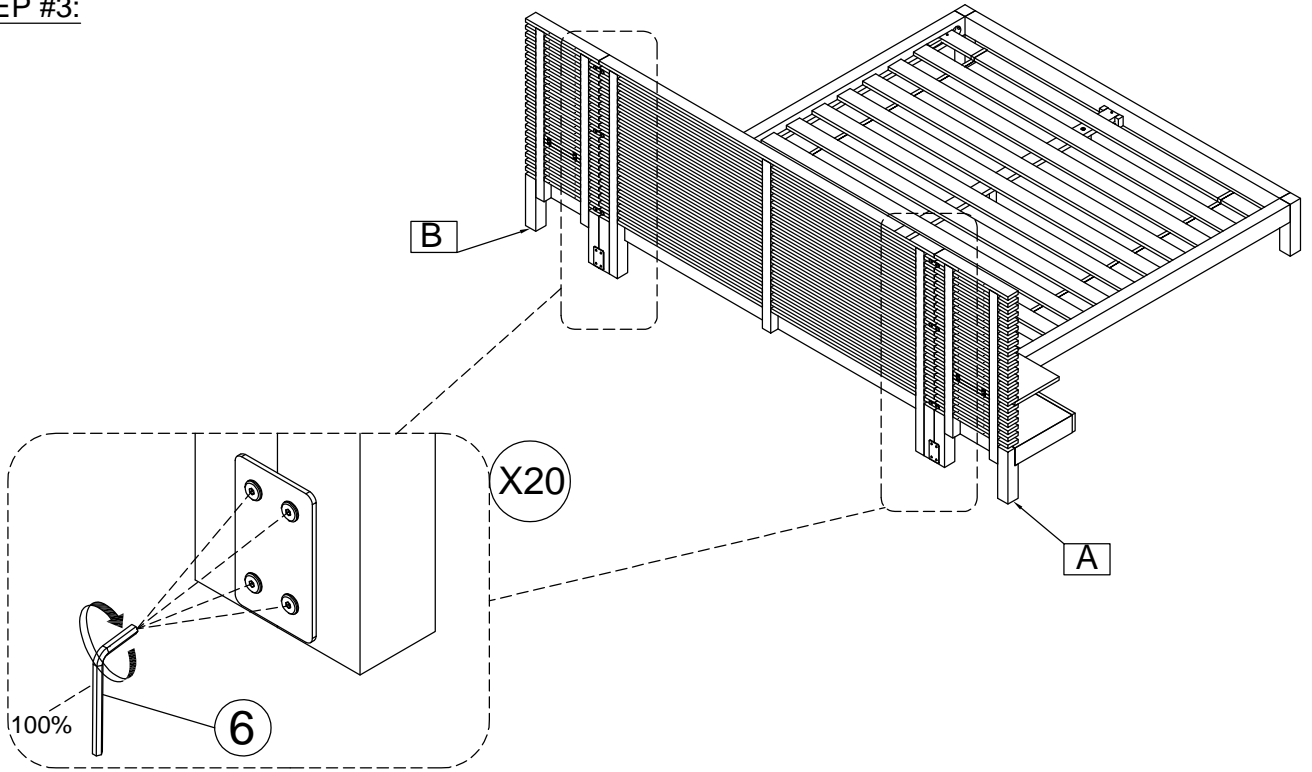


## STEP #2:

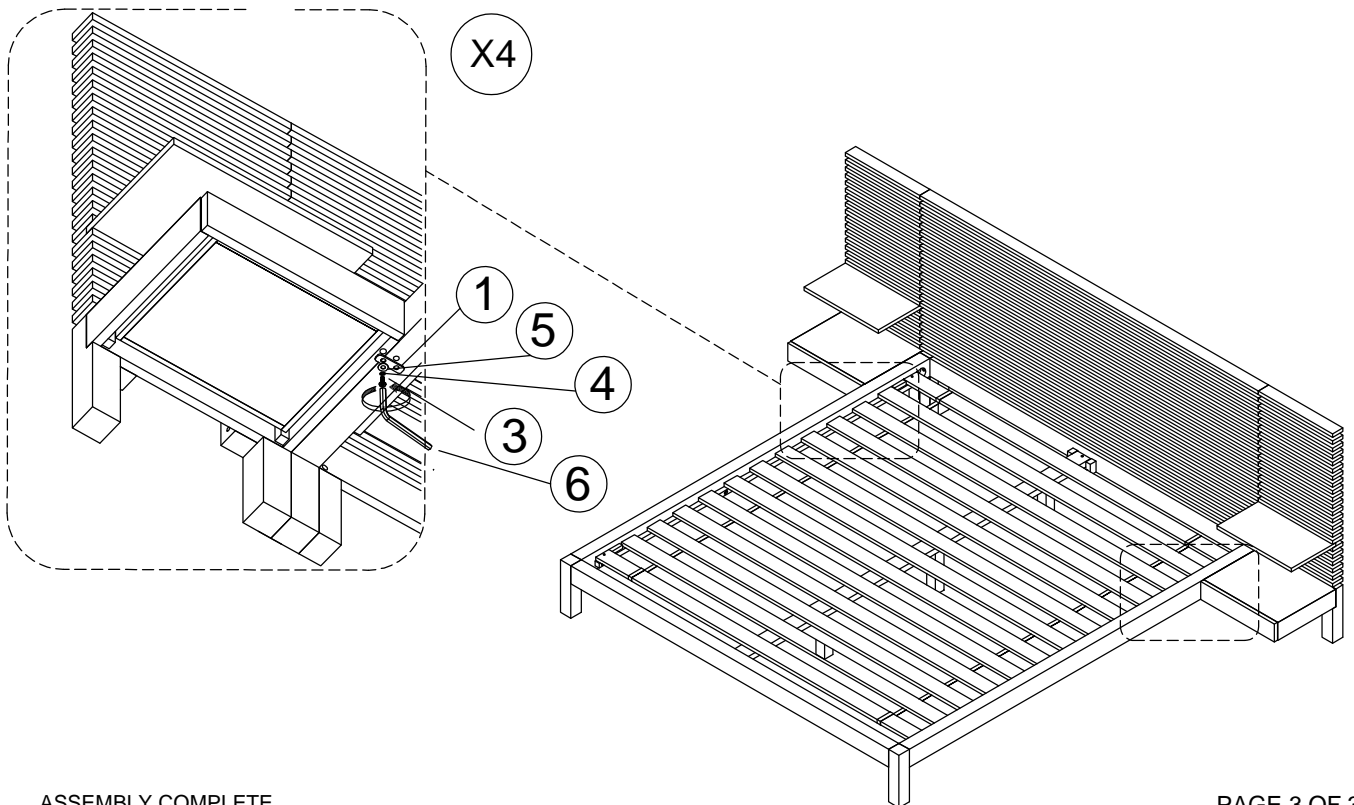


# QUEEN BED ASSEMBLY INSTRUCTIONS

## STEP #3:



## STEP #4:



ASSEMBLY COMPLETE

PAGE 3 OF 3