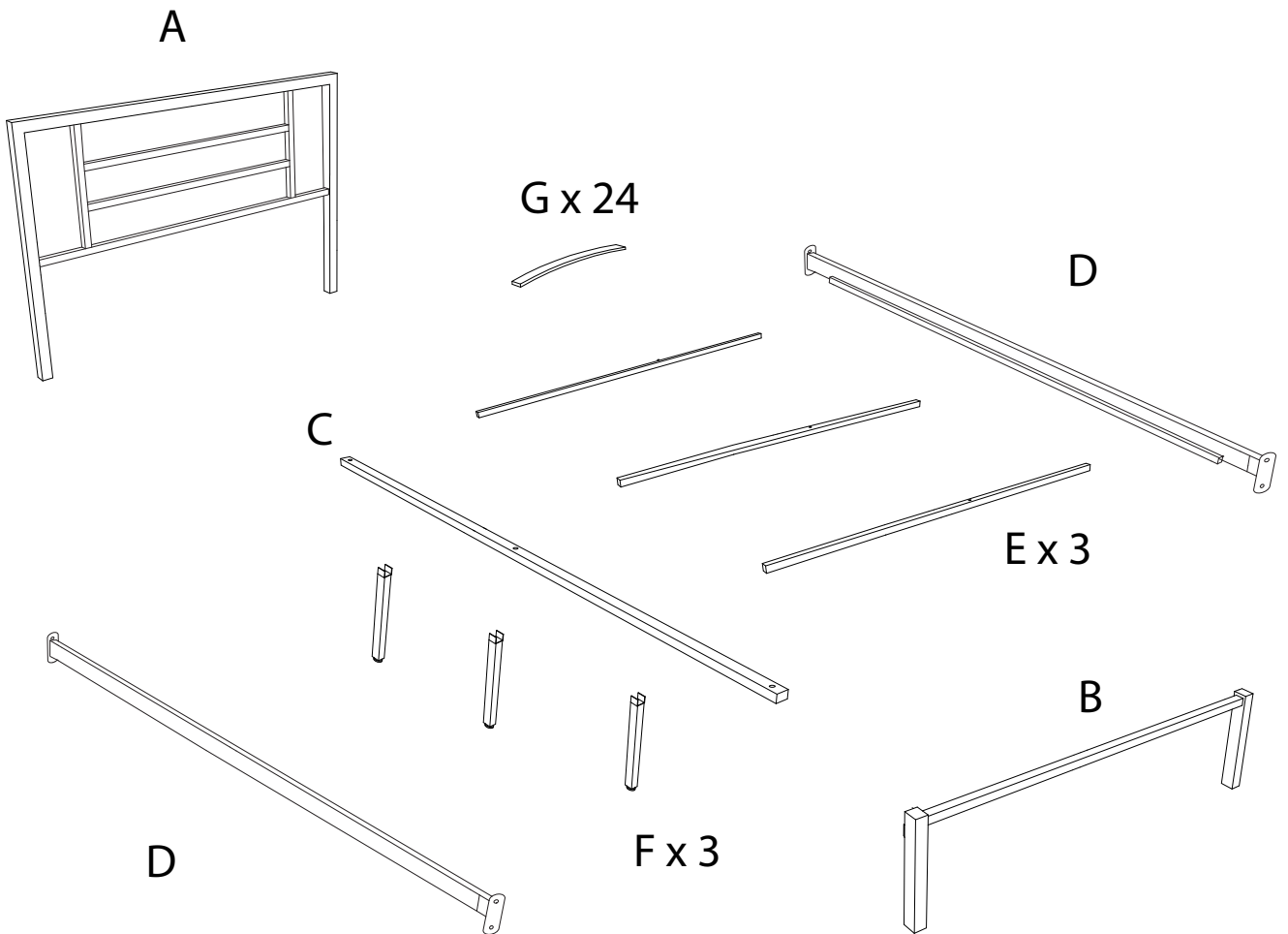
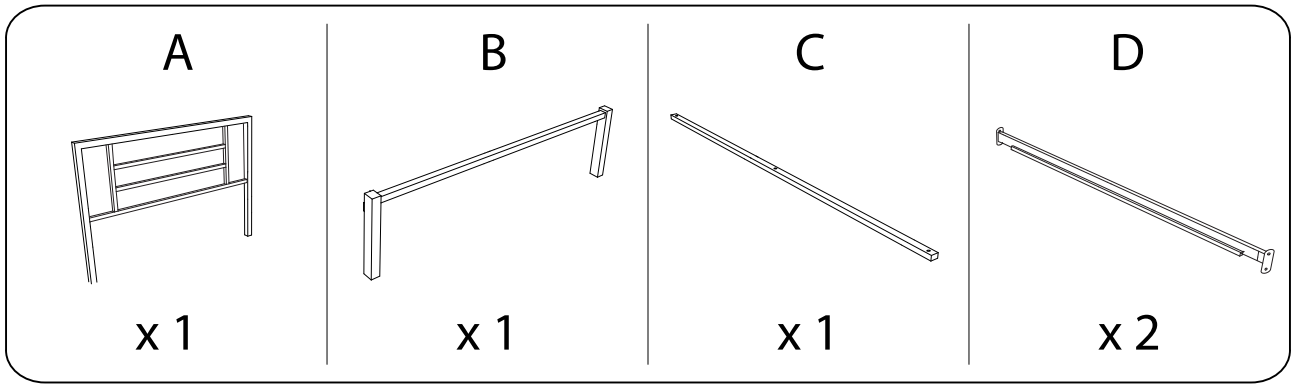
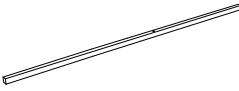


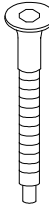
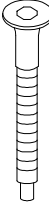
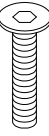
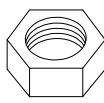

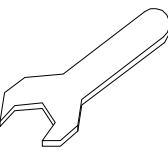
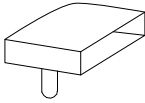
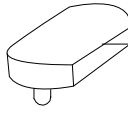
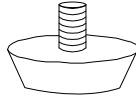




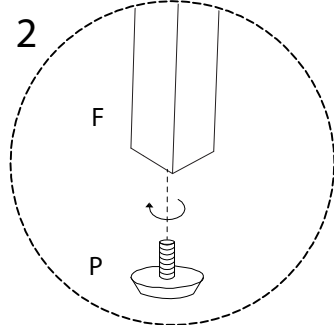
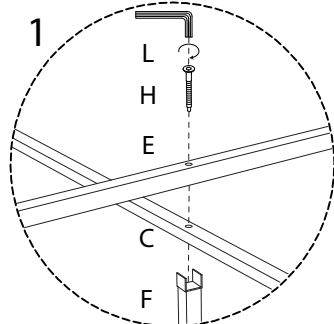
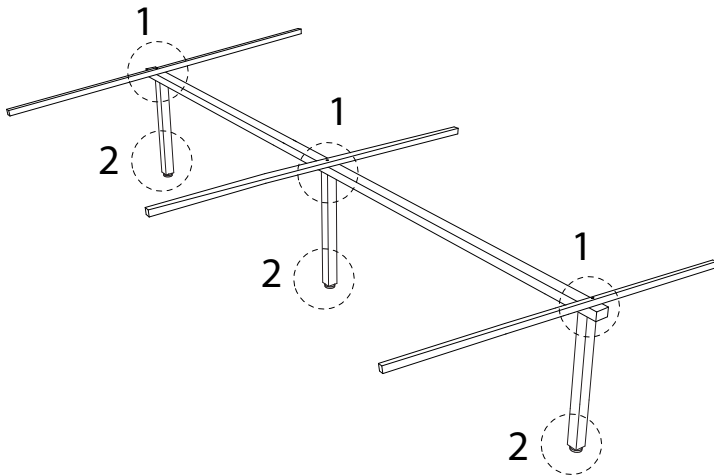
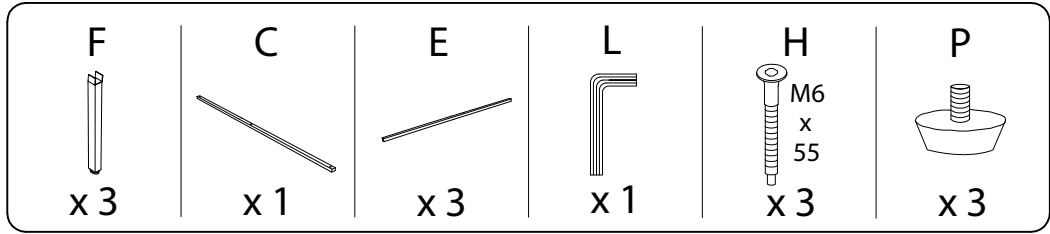
Assembly instructions for step 1/6:

- Tools:** A circle containing an Allen key and a wrench, and a crossed-out power drill icon.
- Warning:** A triangle with an exclamation mark.
- Time:** A clock icon with the text "60'" below it.
- Personnel:** A stick figure icon with the number "2" below it.

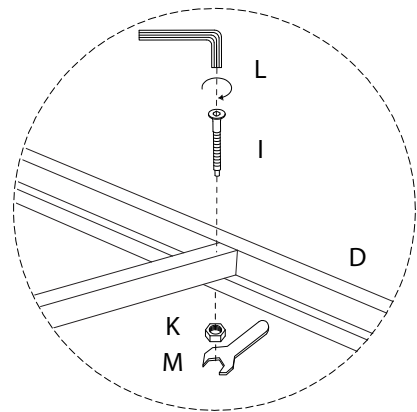
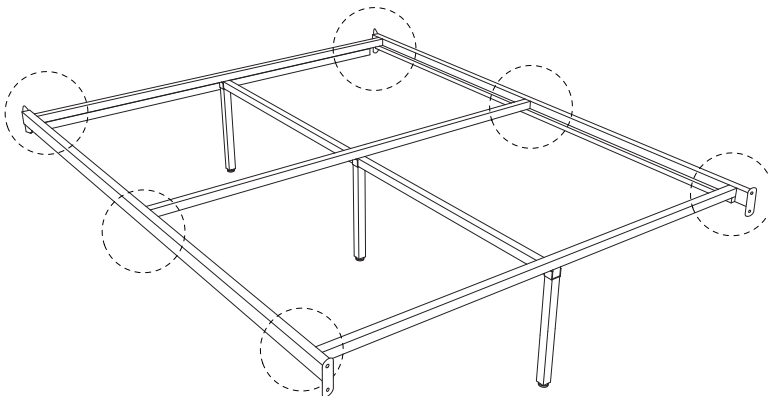
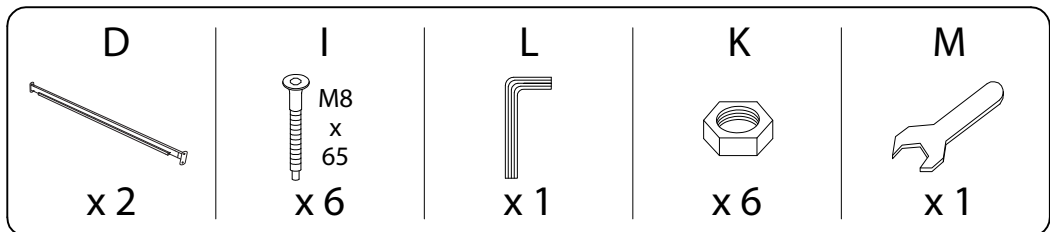


<p>E</p>  <p>x 3</p>	<p>F</p>  <p>x 3</p>	<p>G</p>  <p>x 24</p>	<p>H</p>  <p>M6 x 55</p> <p>x 3</p>
<p>I</p>  <p>M8 x 65</p> <p>x 6</p>	<p>J</p>  <p>M8 x 20</p> <p>x 8</p>	<p>K</p>  <p>x 6</p>	<p>L</p>  <p>x 1</p>
<p>M</p>  <p>x 1</p>	<p>N</p>  <p>x 24</p>	<p>O</p>  <p>x 12</p>	<p>P</p>  <p>x 3</p>

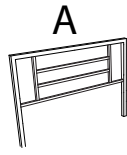
1



2

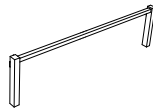


3



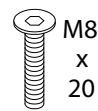
x 1

B



x 1

J

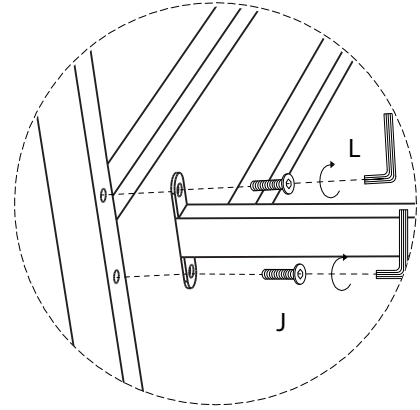
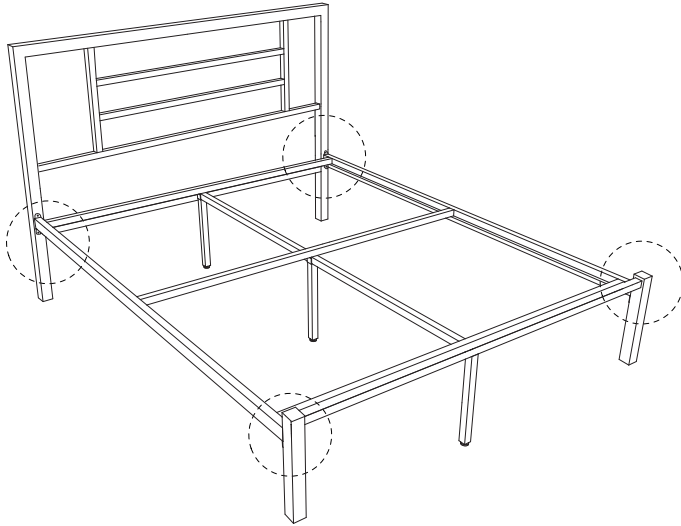


x 8

L



x 1



4

G



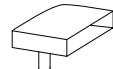
x 24

O

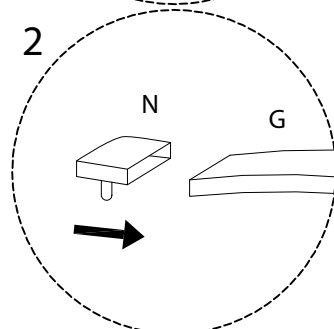
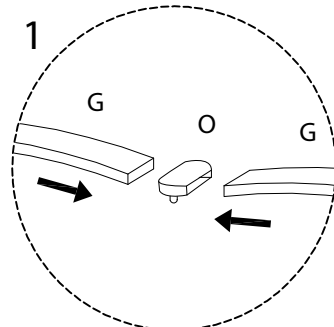
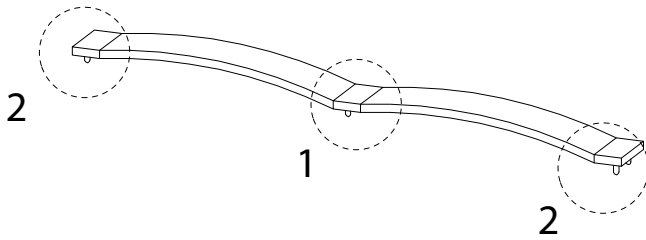


x 12

N



x 24



5

