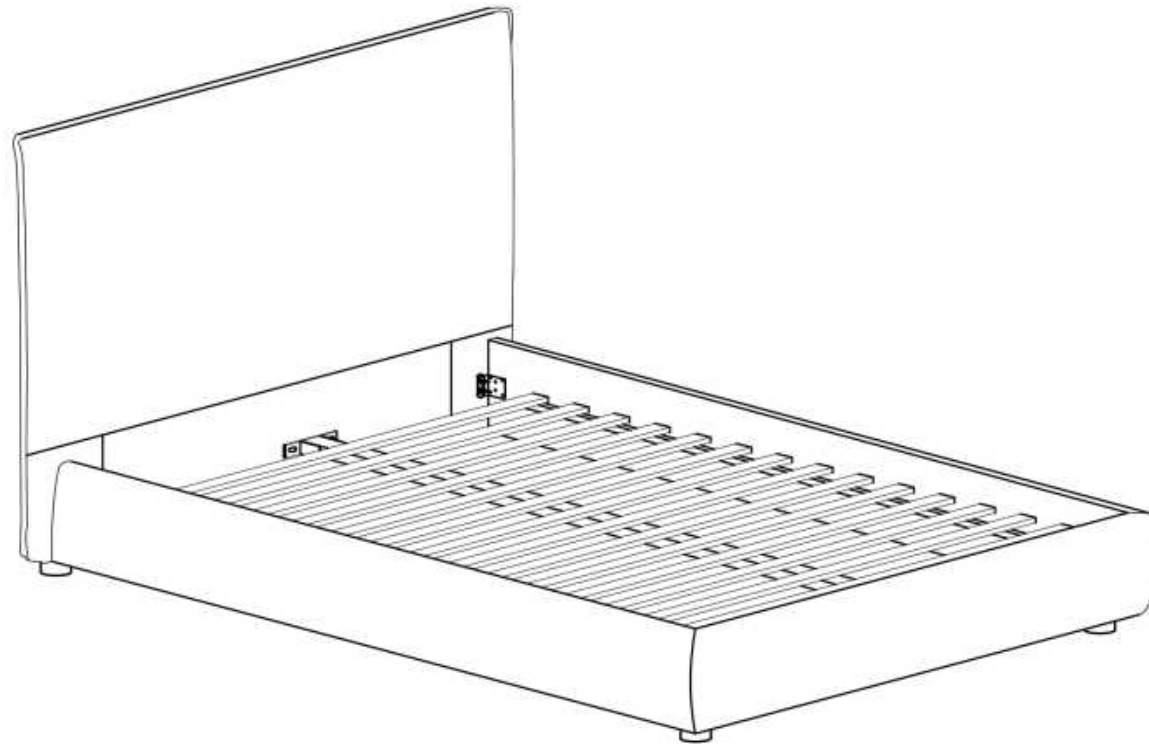












ASSEMBLY INSTRUCTIONS.

LUZON QUEEN BED TALL HEADBOARD SLATE VEGAN LEATHER



THANK YOU FOR YOUR PURCHASE!

PARTS AND HARDWARE.

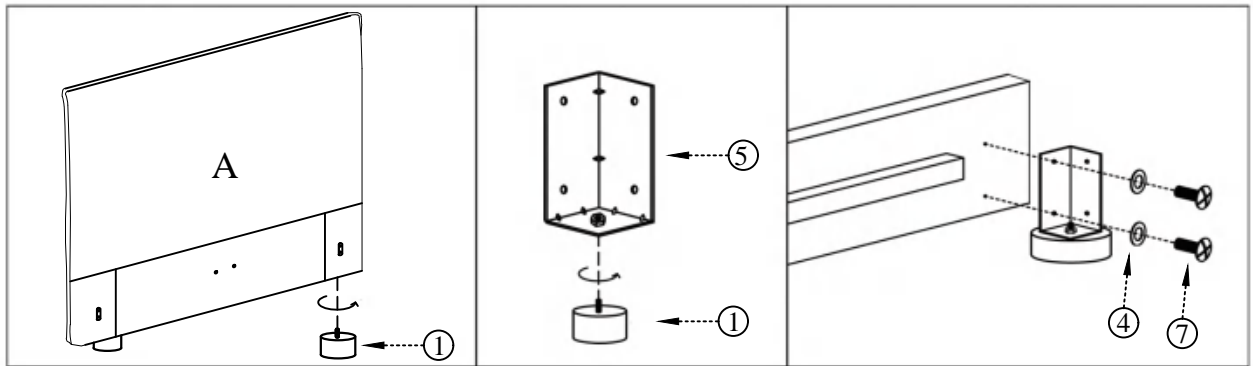
| | |
|--|--|
|  |  |
| Feet | Gold Bolt (m8*18) |
| ① X 4 | ② X 4 |
|  |  |
| Allen Key | Washers (m8) |
| ③ X 1 | ④ X 8 |
|  |  |
| Brackets | Bolts (m8*25) |
| ⑤ X 2 | ⑦ X 8 |
|  |  |
| Headboard | Footboard |
| A X 1 | B X 1 |
|  |  |
| Right Side Rail | Left Side Rail |
| C X 1 | D X 1 |

NOTES.

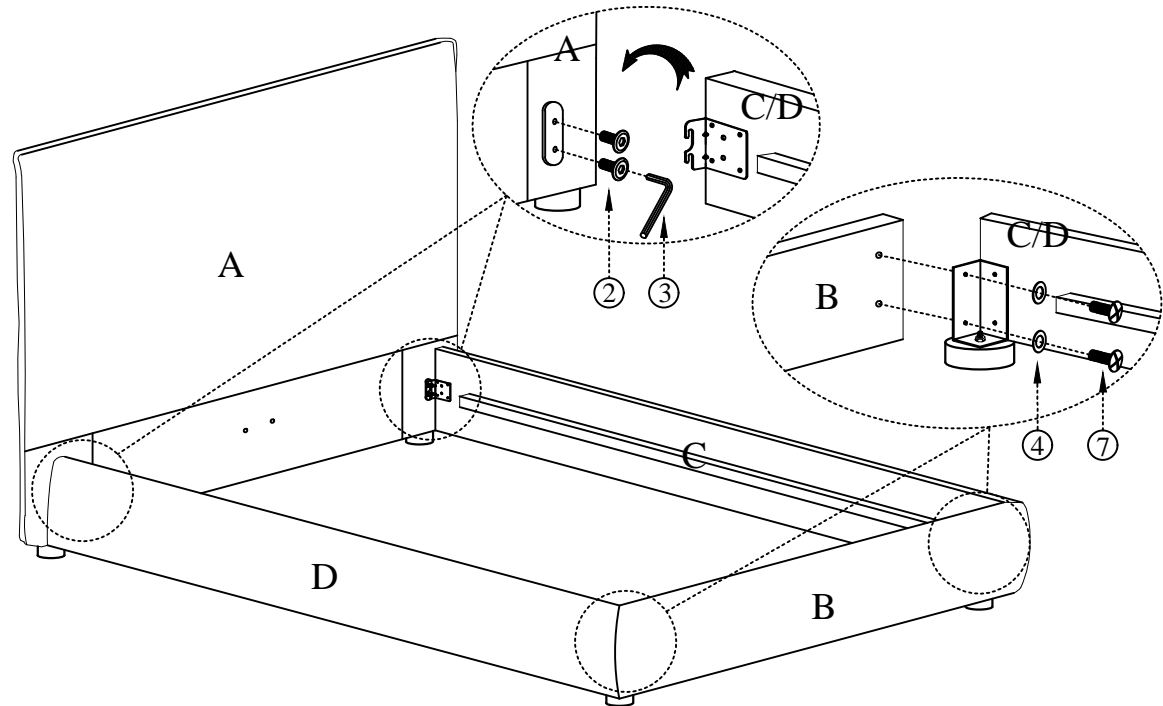
Thank you for purchasing this quality product! Be sure to check all packing material carefully for small parts that may have come loose inside the carton during shipping.

CAUTION: The item is heavy, assembly should be performed by two people.







STEP 1.



STEP 2.



PARTS AND HARDWARE.

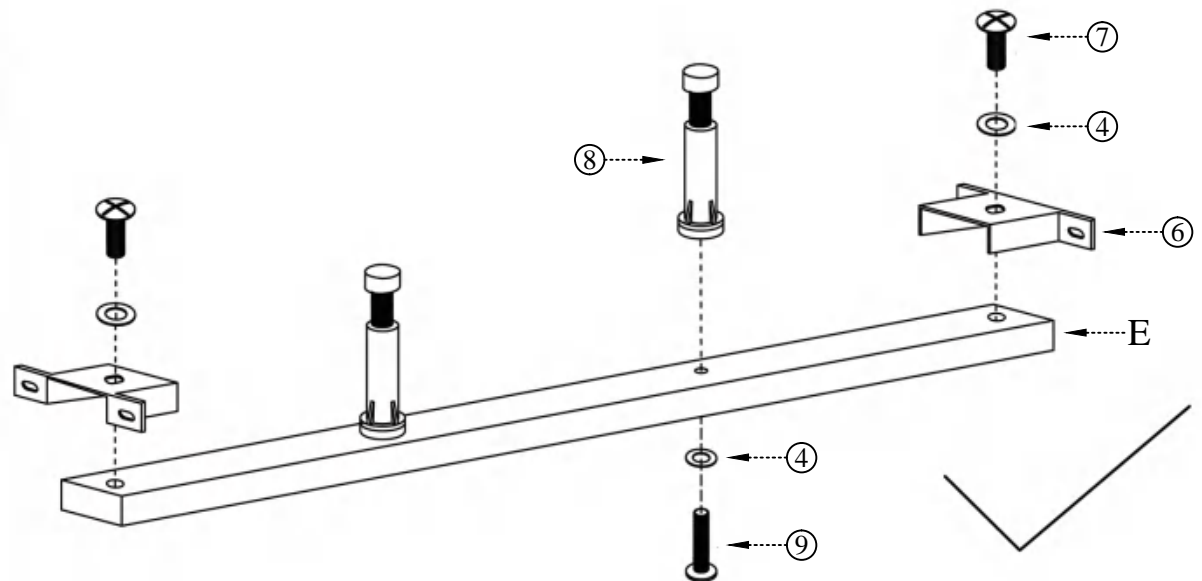
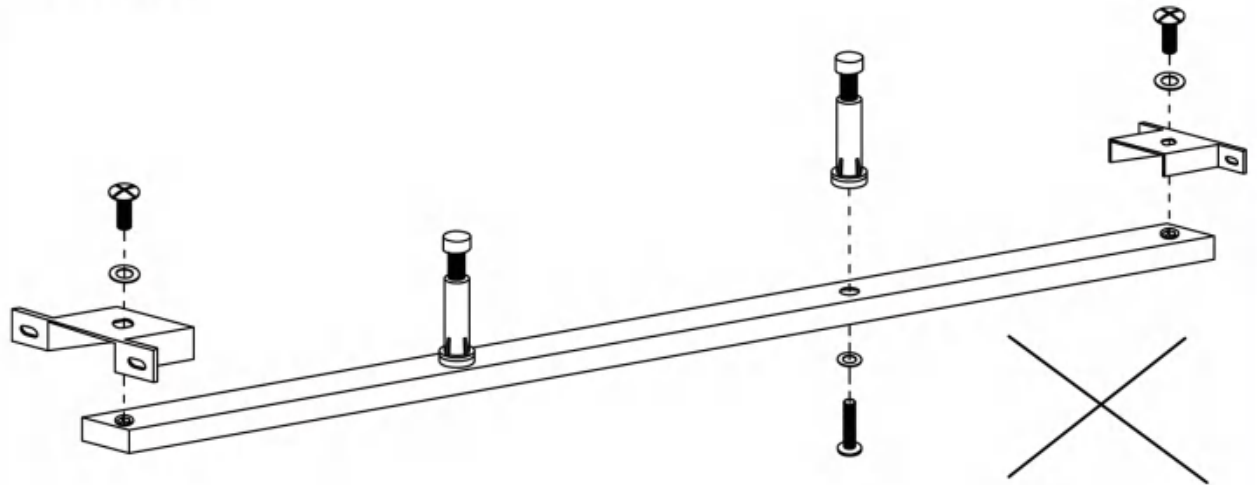
| | |
|---|---|
|  |  |
| Center Rail E X 1 | Washers ④ X 4 |
|  |  |
| Brackets ⑥ X 2 | Bolts(m8*25) ⑦ X 2 |
|  |  |
| Plastic Support legs ⑧ X 2 | Bolts (M8*40) ⑨ X 2 |

NOTES.





Thank you for purchasing this quality product! Be sure to check all packing material careful for small part that may have come loose inside the carton during shipping.

CAUTION: The item is heavy, assembly should be performed by two people.

STEP 3.



PARTS AND HARDWARE.

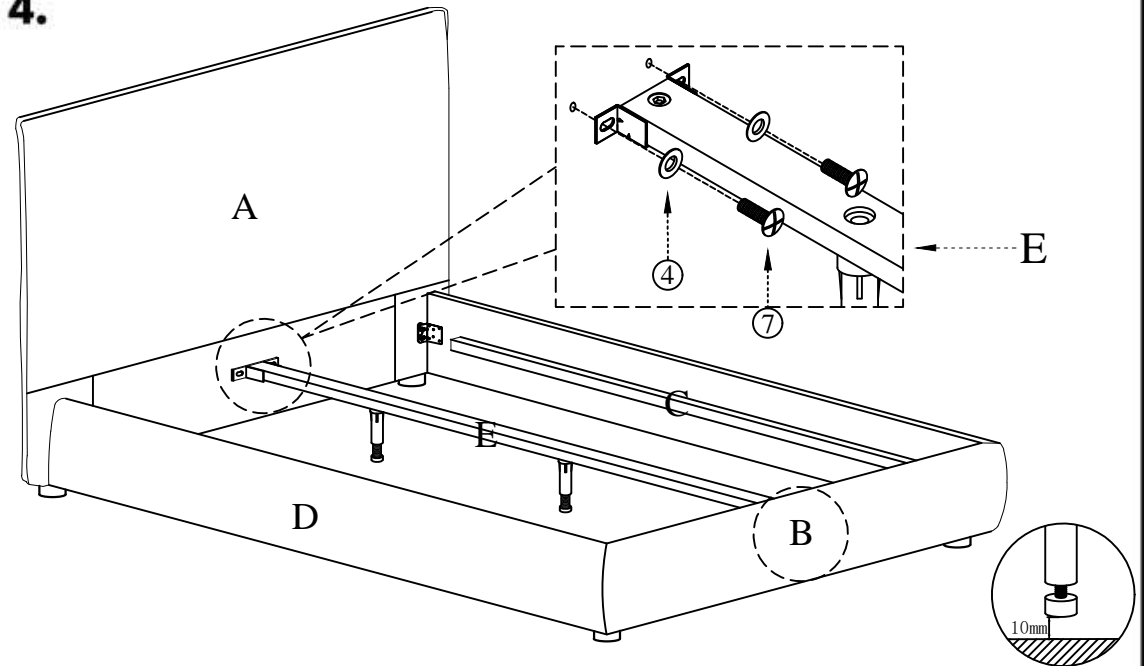
| | |
|---|---|
|  |  |
| Washers ④ X 4 | Bolts(m8*25) ⑦ X 4 |
|  |  |
| Screws(m8*32) ⑩ X 42 | Slats F X 1 |

NOTES.

Thank you for purchasing this quality product!
Be sure to check all packing material careful
for small part that may have come loose
inside the carton during shipping.

CAUTION:The item is heavy,assembly
should be performed by two people.

STEP 4.



STEP 5.

