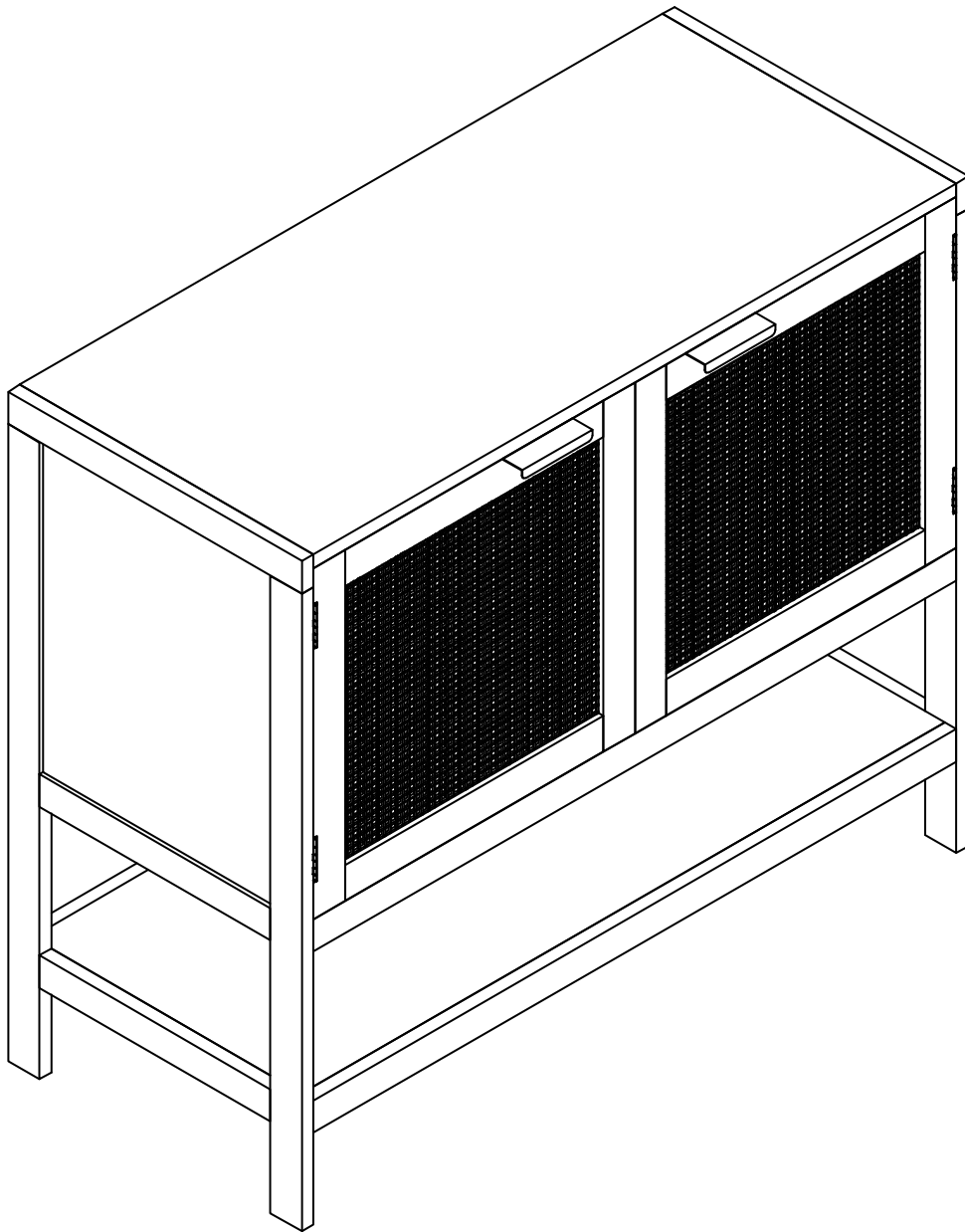
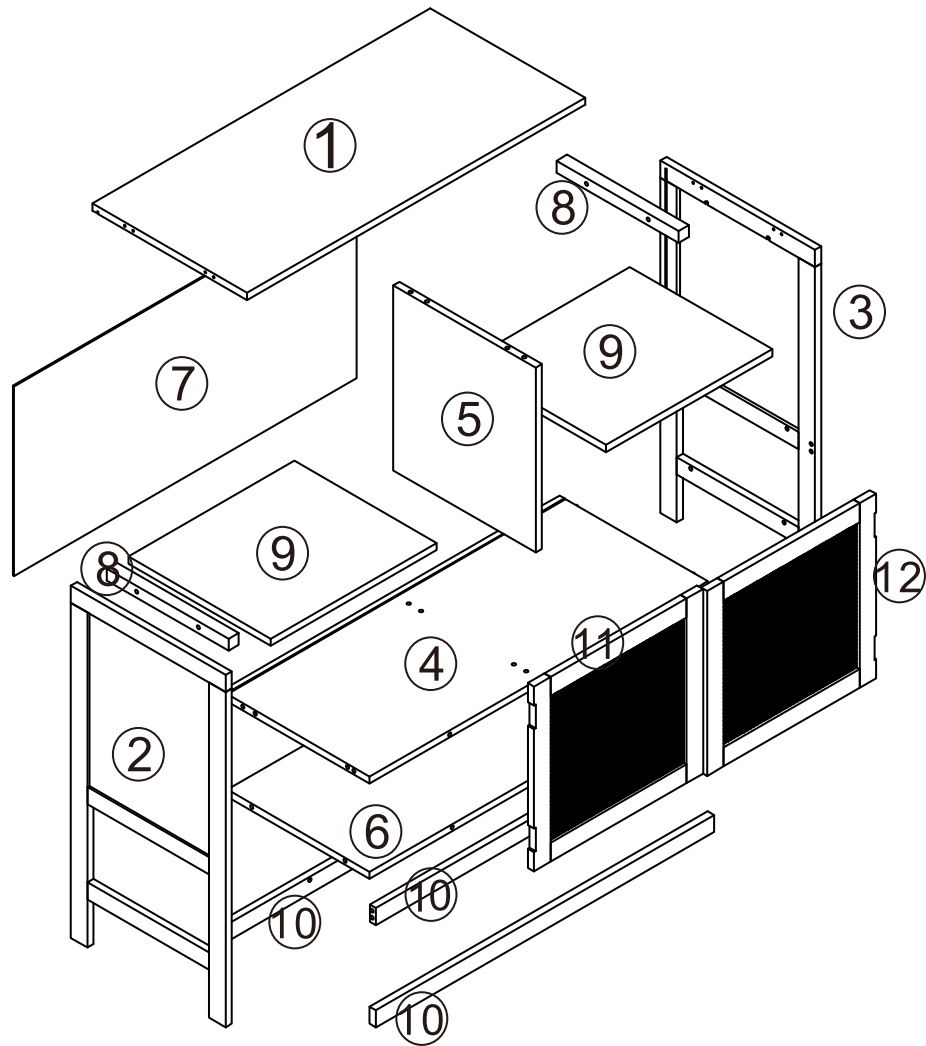



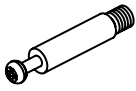
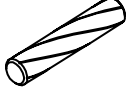
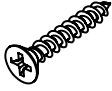

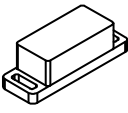
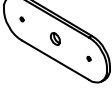
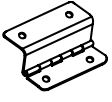
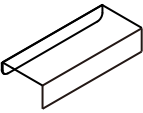
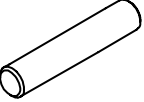
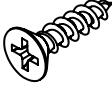
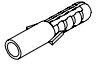




2406553

ASSEMBLY INSTRUCTIONS

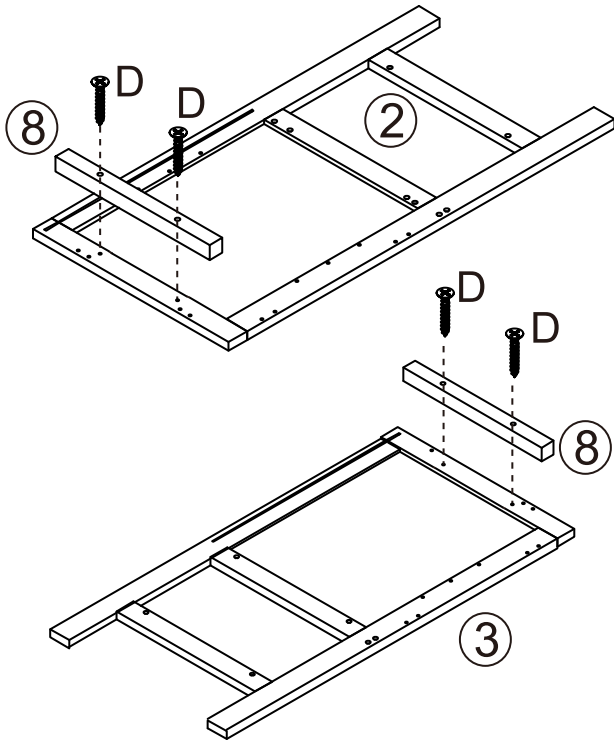
<<Before assembling, read all the instructions>>





| | | | |
|---|---|--|---|
|  |  |  |  |
| Ax26 | Bx26 | Cx22 | Dx6 |
|  |  |  |  |
| Ex22 | Fx2 | Gx2 | Hx4 |
|  |  |  |  |
| Ix2 | Jx8 | Kx4 | Lx2 |
|  |  |  |  |
| Mx2 | Nx2 | Ox2 | Px4 |

Step 1

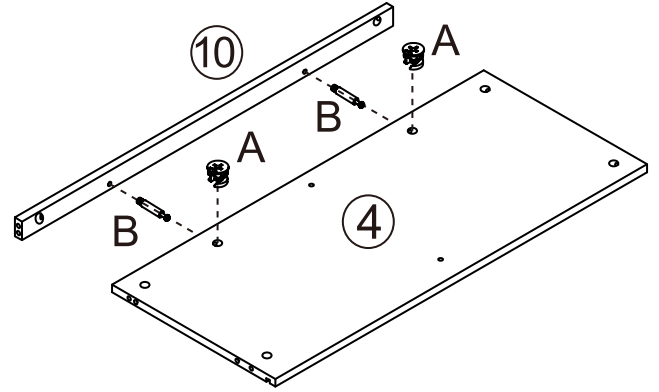


Connect Part 8 to 2&3 with four Hardware D



Dx4

Step 2



Connect Part 10 to 4 with two Hardware A/B



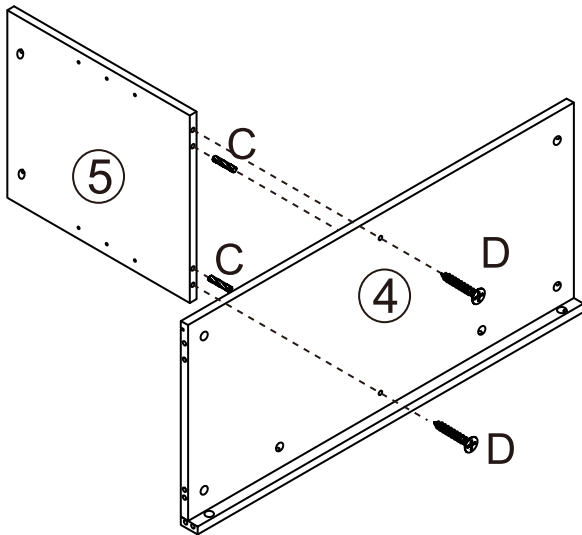
Ax2



Bx2

Step 3

Connect Part 5 to 4 with two Hardware C/D



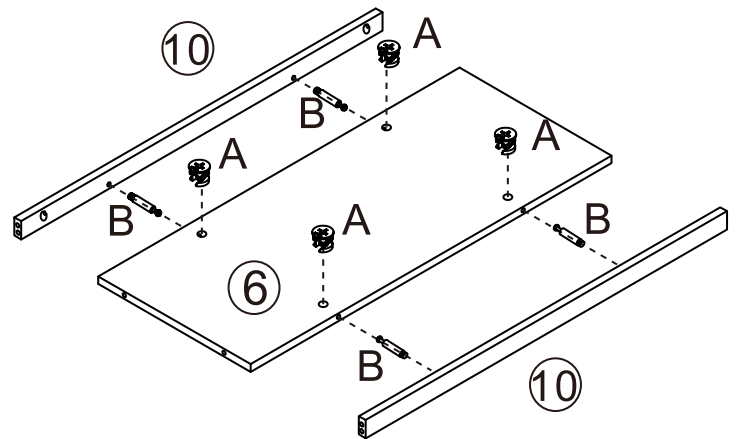
Cx2



Dx2

Step 4

Connect two Part 10 to 6 with four Hardware A/B



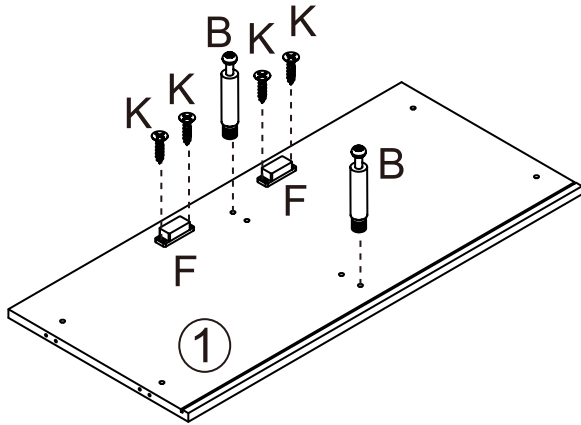
Ax4






Bx4

Step 5

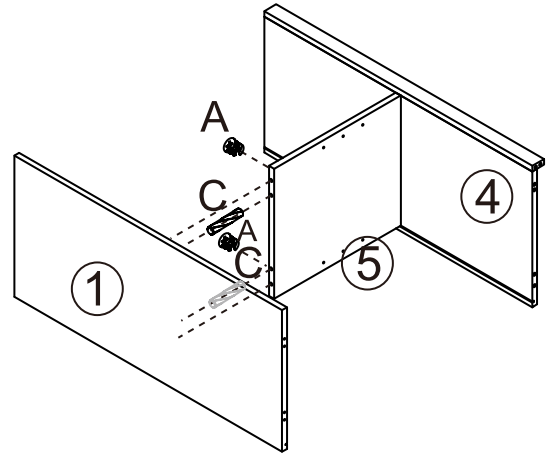
Fix two Hardware F to Part 1 with four Hardware K
Fix one Hardware B to Part 1





- | | | | |
|--|-----|---|-----|
|  | BX2 | | |
|  | KX4 |  | FX2 |

Step 6

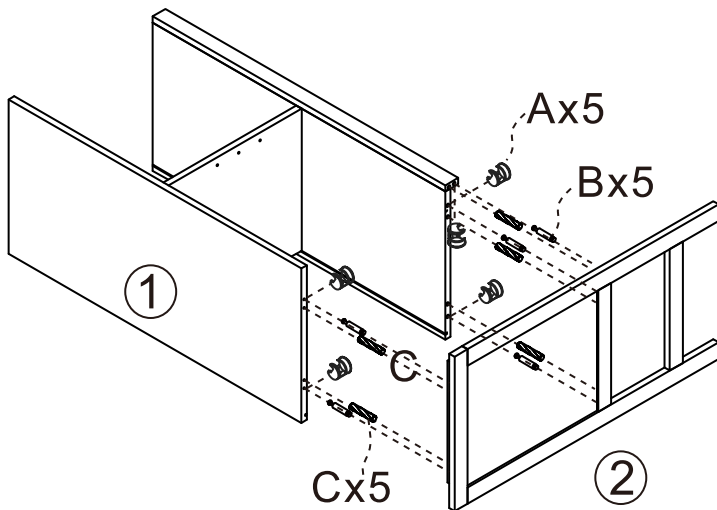
Connect Part 1 to 5 with two Hardware A/C






- | | | | |
|---|-----|--|--|
|  | AX2 | | |
|  | CX2 | | |

Step 7

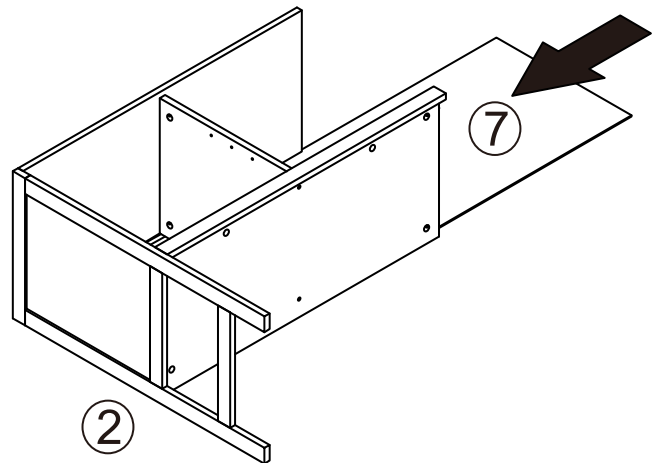
Connect Part 2 to 1&4 with five Hardware A/B/C



- | | | | |
|--|-----|---|-----|
|  | Ax5 | | |
|  | Bx5 |  | Cx5 |

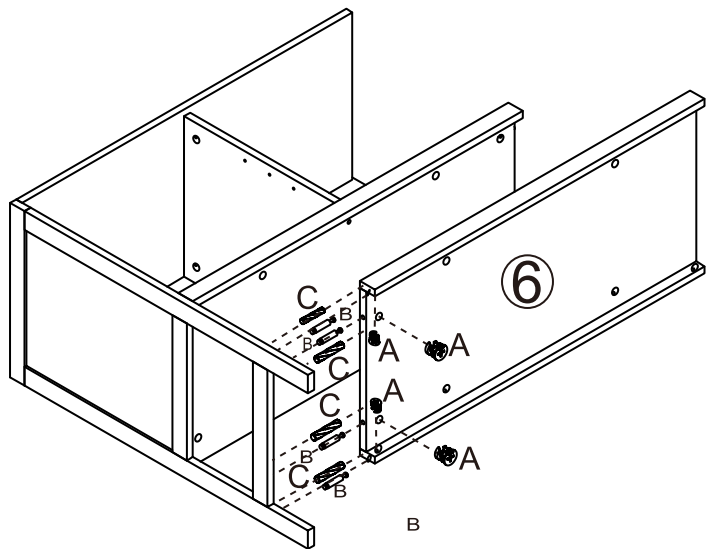
Step 8

Slide Part 7 along slots of Part 1&4



Step 9

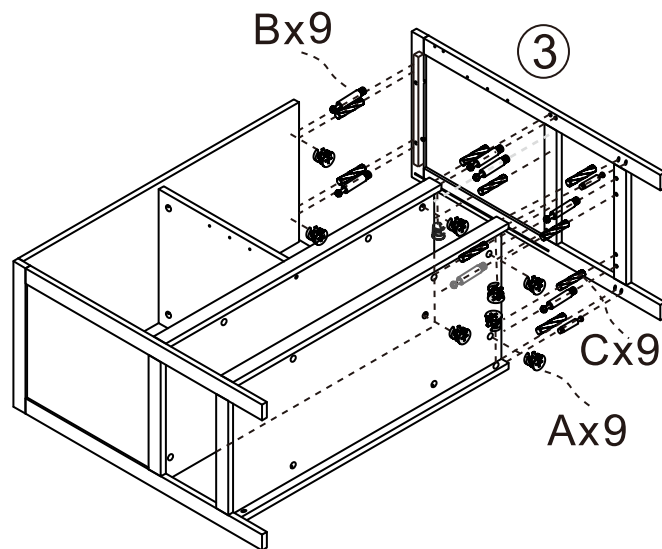
Connect Part 6 to 2 with four Hardware A/B/C



| | | | | | |
|--|-----|--|-----|--|-----|
| | Ax4 | | Bx4 | | Cx4 |
|--|-----|--|-----|--|-----|

Step 10

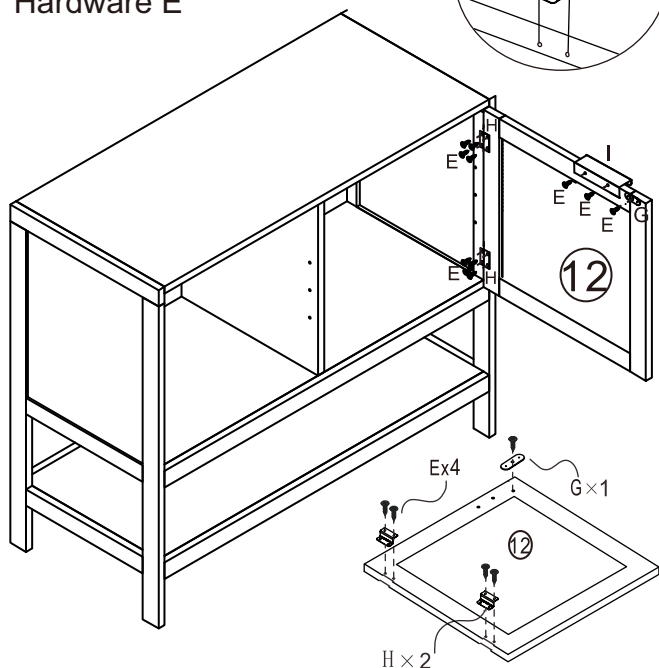
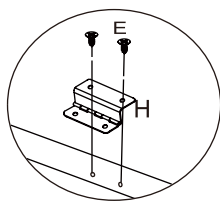
Connect Part 3 to 1&4&6 with nine Hardware A/B/C



| | | | | | |
|--|-----|--|-----|--|-----|
| | Ax9 | | Bx9 | | Cx9 |
|--|-----|--|-----|--|-----|

Step 11

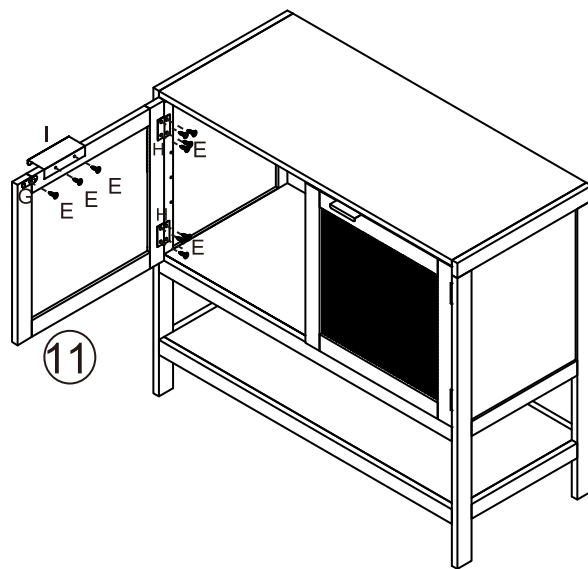
Install Hardware G/H/I on Part 12 with seven Hardware E
Connect Part 12 to 3 with four Hardware E



| | | | |
|--|------|--|-----|
| | Ex11 | | Gx1 |
| | Hx2 | | Ix1 |

Step 12

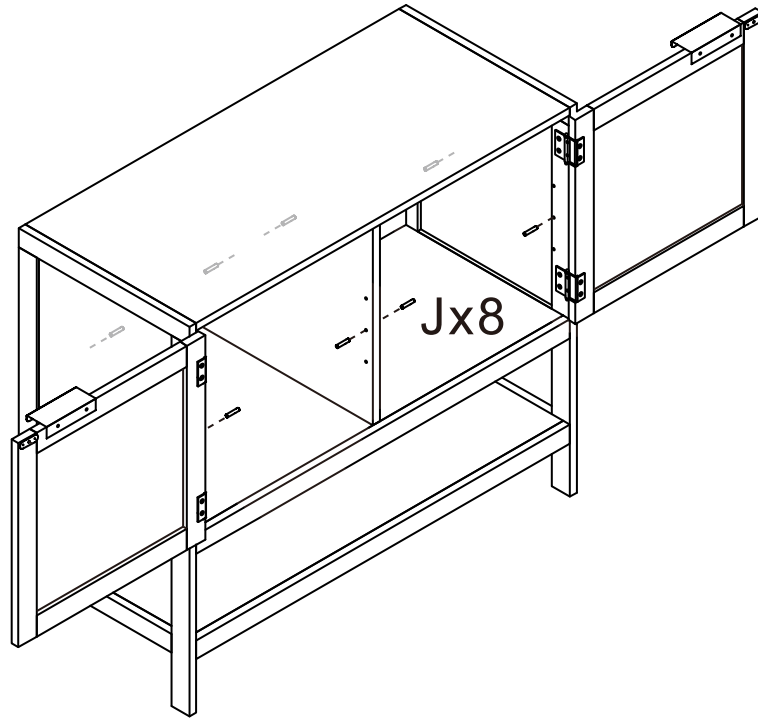
Install Hardware G/H/I on Part 11 with seven Hardware E
Connect Part 11 to 2 with four Hardware E



| | | | |
|--|------|--|-----|
| | Ex11 | | Gx1 |
| | Hx1 | | Ix1 |

Step 13

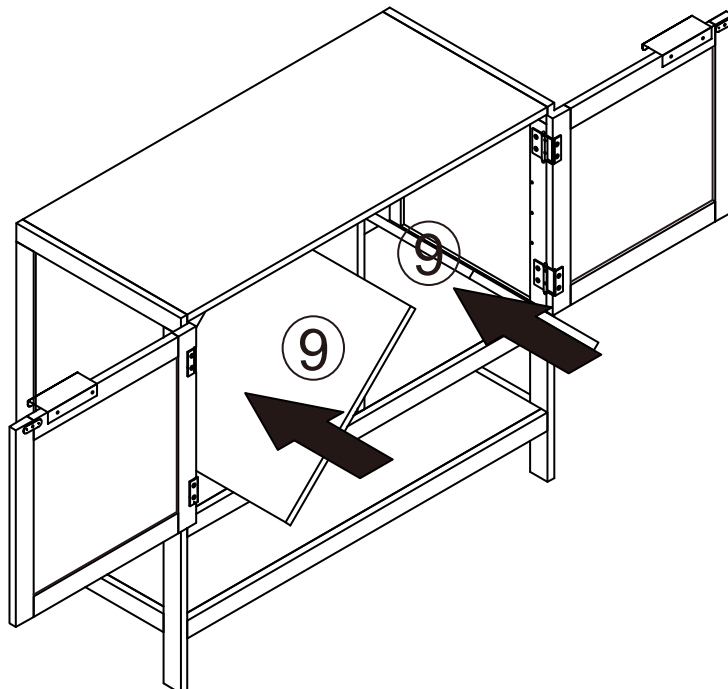
Insert Hardware J into Part 2&5&3



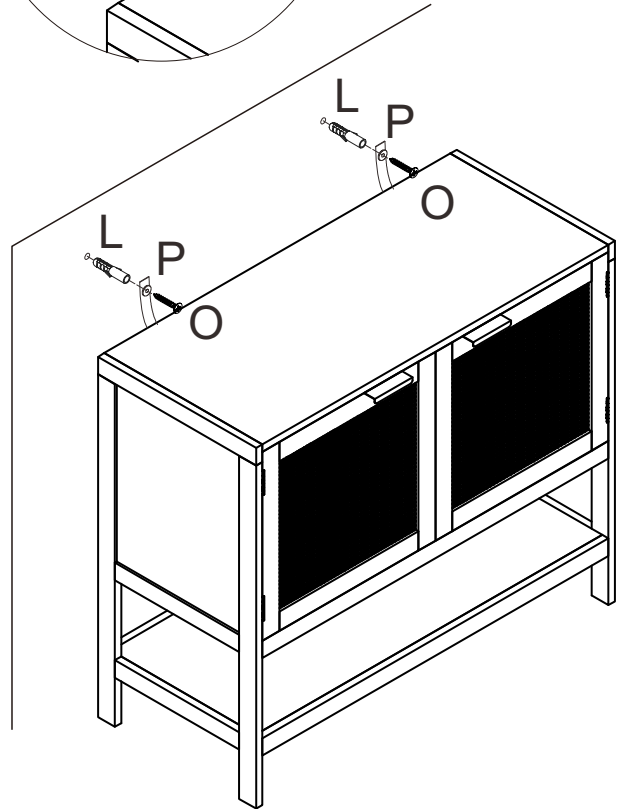
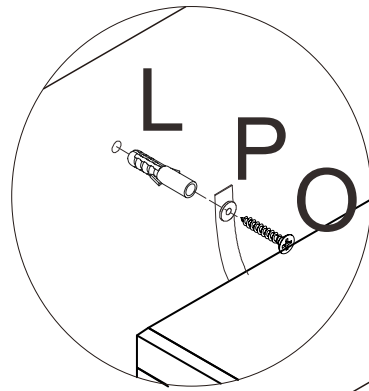
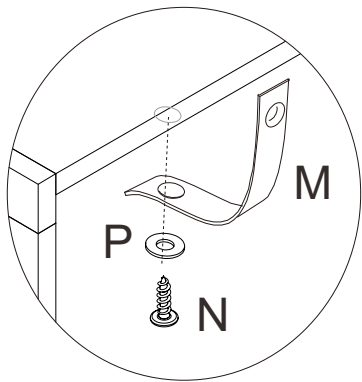
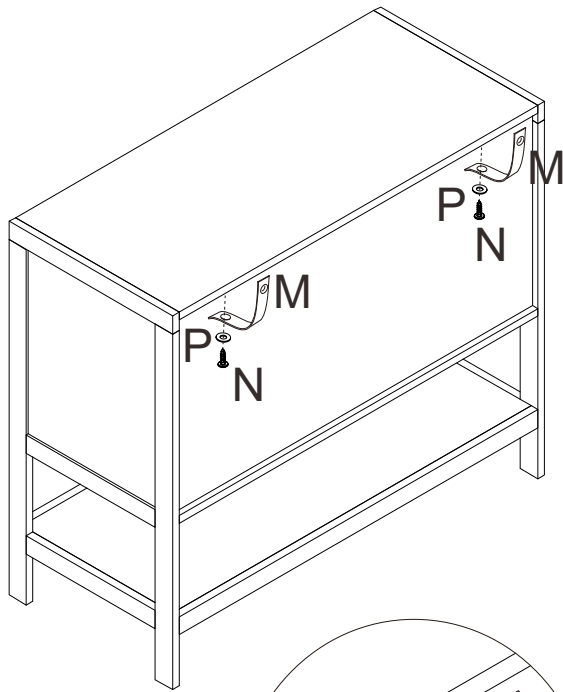
Jx8

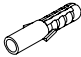

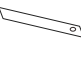


Step 14

Place Part 13 into cabinet



Step 15



| | | | | | |
|---|-----|---|-----|---|-----|
|  | Lx2 |  | Nx2 | | |
|  | Mx2 |  | Ox2 |  | Px4 |

SAFETY NOTICE

PREVENT FURNITURE TIP OVER ACCIDENTS

Free Standing Furniture above 600mm in height must be securely attached to the wall to prevent it from tipping over and causing injury.

Please Use the anti-tip restraint provided

One end of this restraint must be secured to the cabinet with the screw(s) provided in the fittings pack.

The other end of the restraint must be attached to the wall with hardware appropriate for that wall type.

Never put a TV or other heavy objects on top of a chest of drawers or any furniture not intended for use with a TV.

Place heavy objects in the lowest drawers or shelves

Never let children climb or hang on drawers, doors or shelves