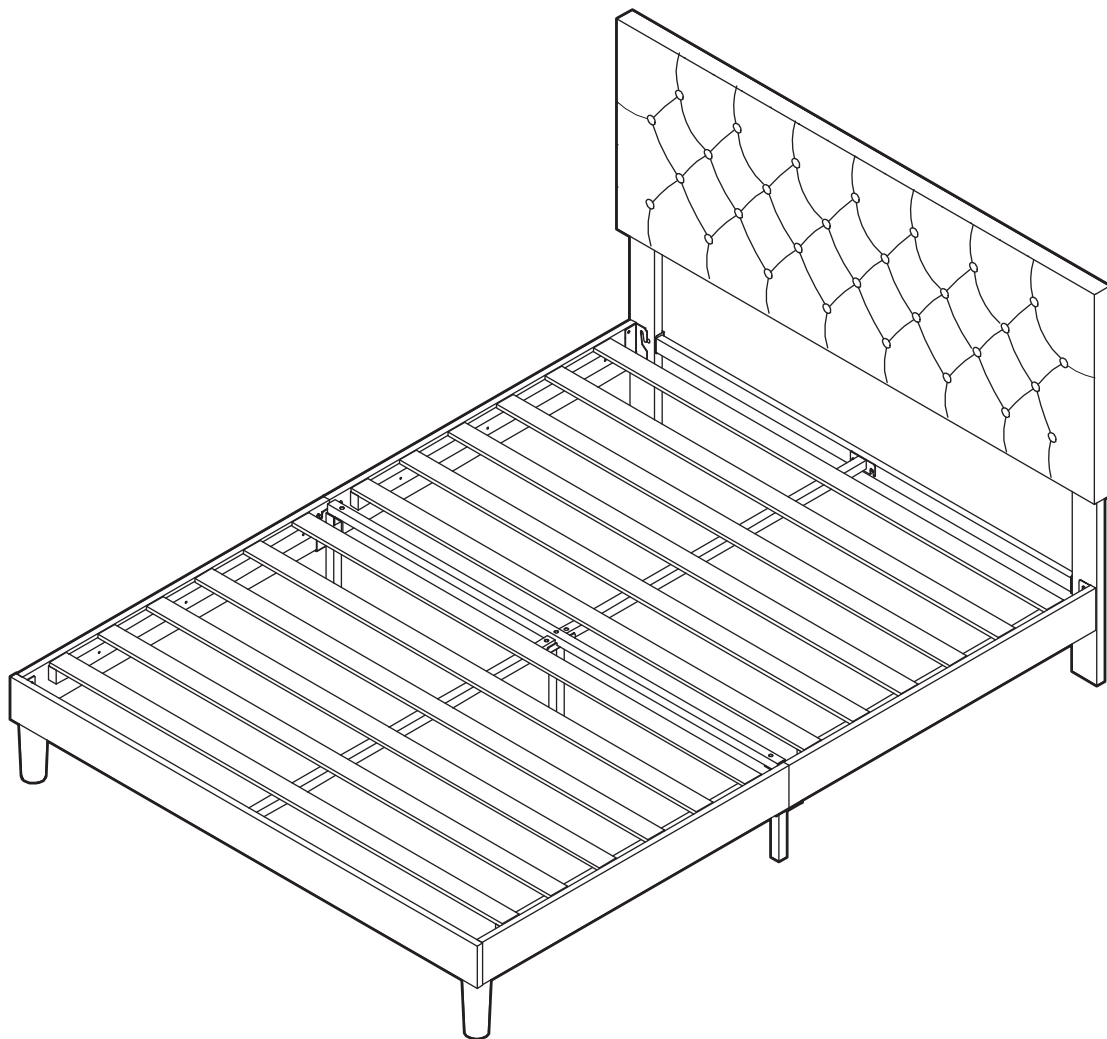


PLATFORM BED

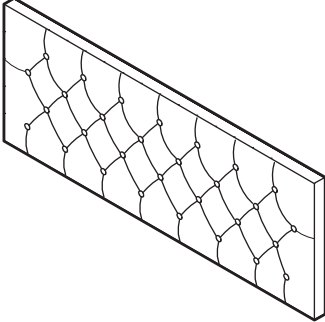
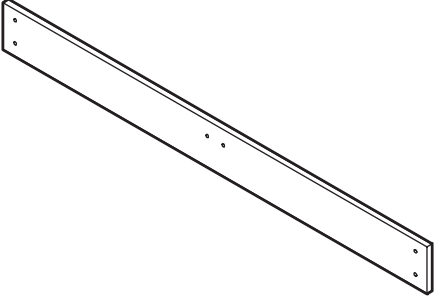
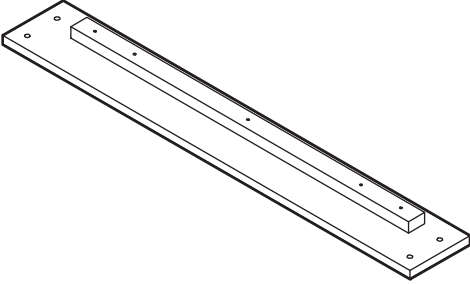
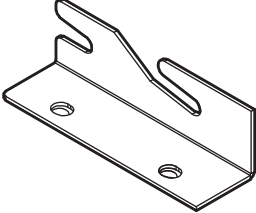
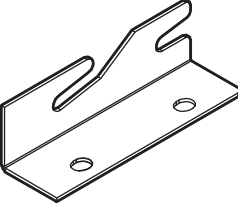
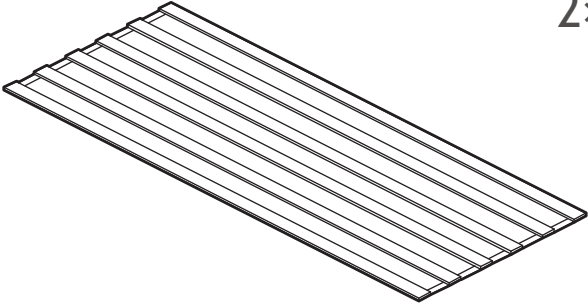
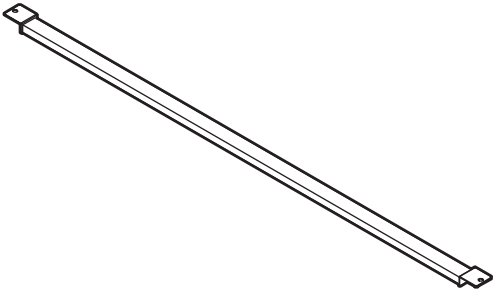
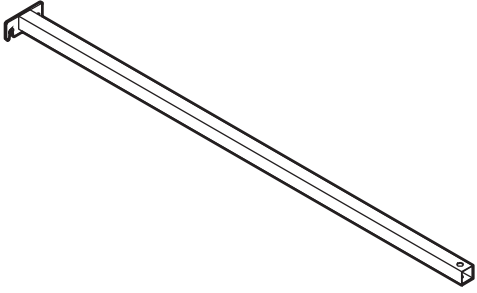
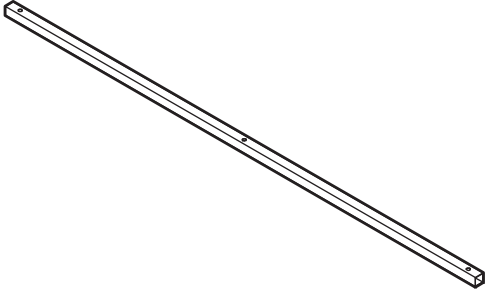
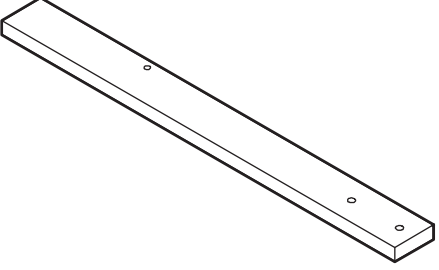
ORIGINAL INSTRUCTION MANUAL

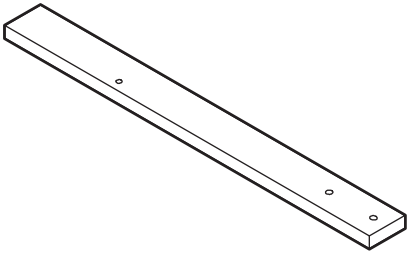
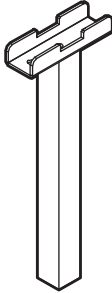
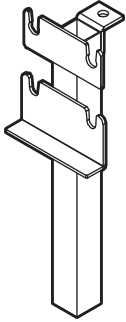

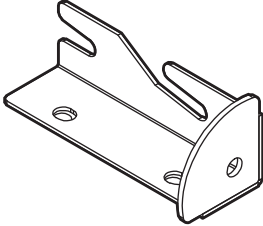
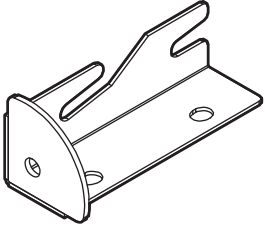
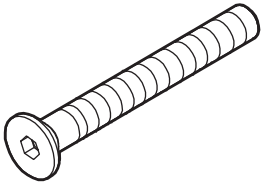
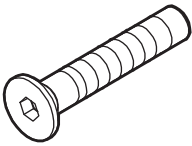
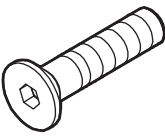
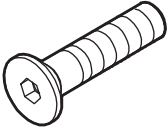

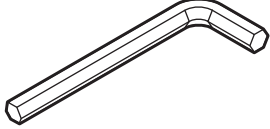


DEAR CUSTOMER,

Thank you for choosing our product. Please read this manual carefully before assembling or using the product, to avoid damage caused by improper use. If the product is passed on to third parties, this manual has to be passed on along with the product. For any question don't hesitate to contact us.

PARTS LIST

A 	1×	B 	1×
C 	4×	D 	1×
E 	1×	F 	2×
G 	1×	H 	2×
I 	1×	J1 	1×

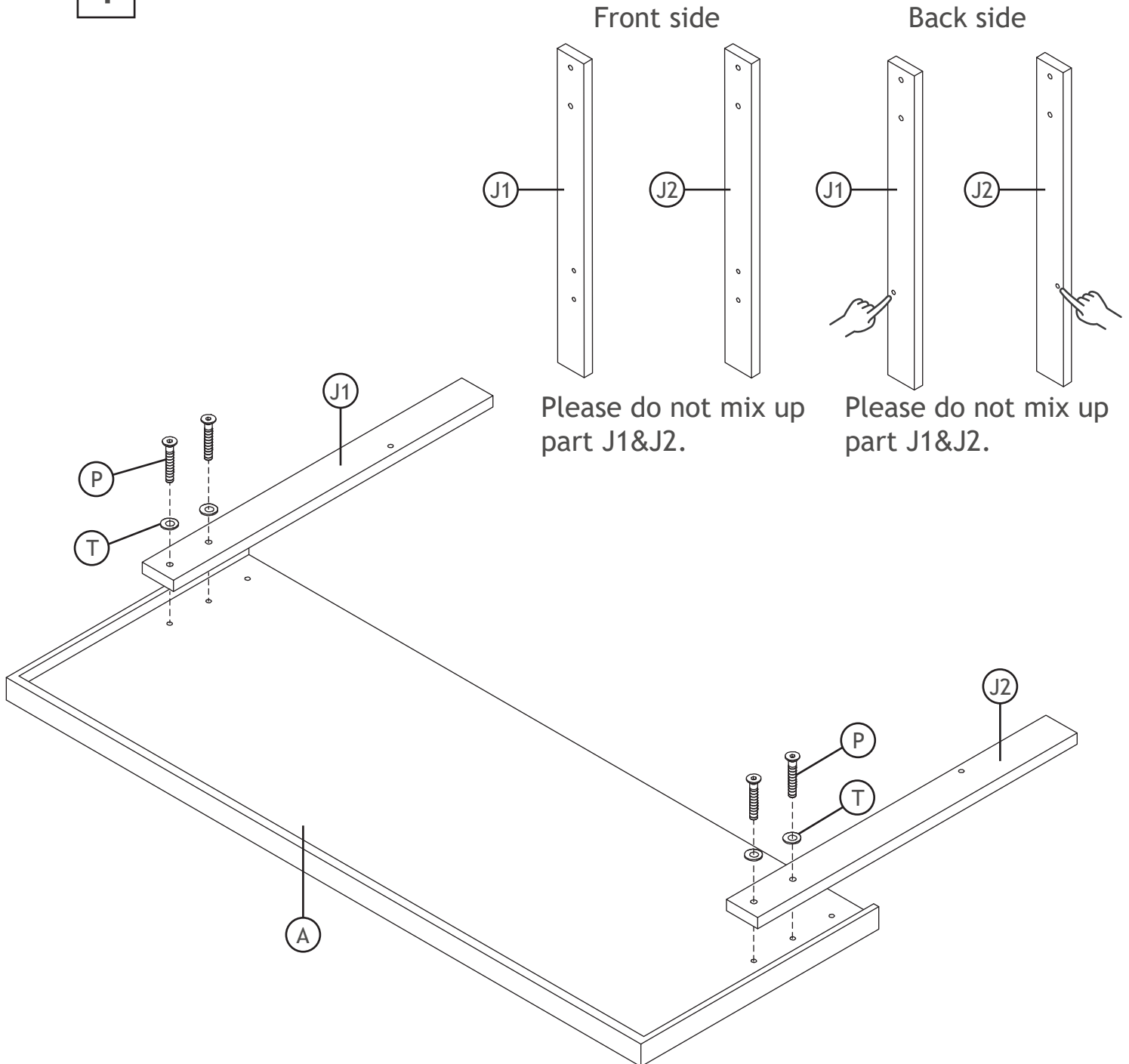
<p>J2</p> 	<p>1× K</p>  <p>1×</p>	
<p>L</p>  <p>2×</p>	<p>M</p>  <p>2×</p>	
<p>N</p>  <p>1×</p>	<p>O</p>  <p>1×</p>	
<p>P</p>  <p>5×</p> <p>M8×45mm</p>	<p>Q</p>  <p>4×</p> <p>M8×35mm</p>	<p>R</p>  <p>6×</p> <p>M8×25mm</p>
<p>S</p>  <p>24×</p> <p>M8×16mm</p>	<p>T</p>  <p>19×</p> <p>M8</p>	<p>U</p>  <p>1×</p> <p>M8 Spanner</p>

ASSEMBLY

Before your installation, please make sure that you have all the parts listed on the manual. If you find something missing, stop installing and contact your supplier immediately.

NOTE: Please do not completely tighten all the hardware until the entire assembly is completed!

1

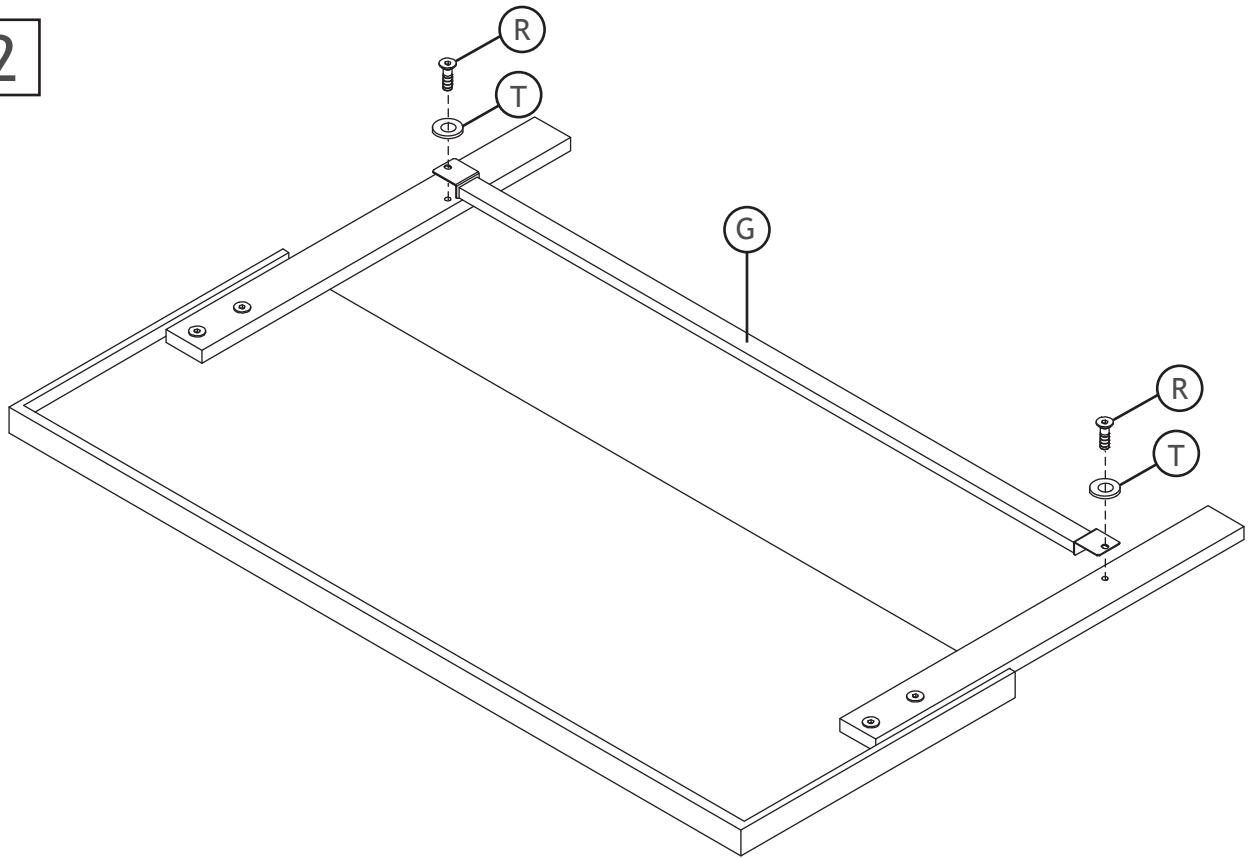


Please do not mix up part J1&J2.

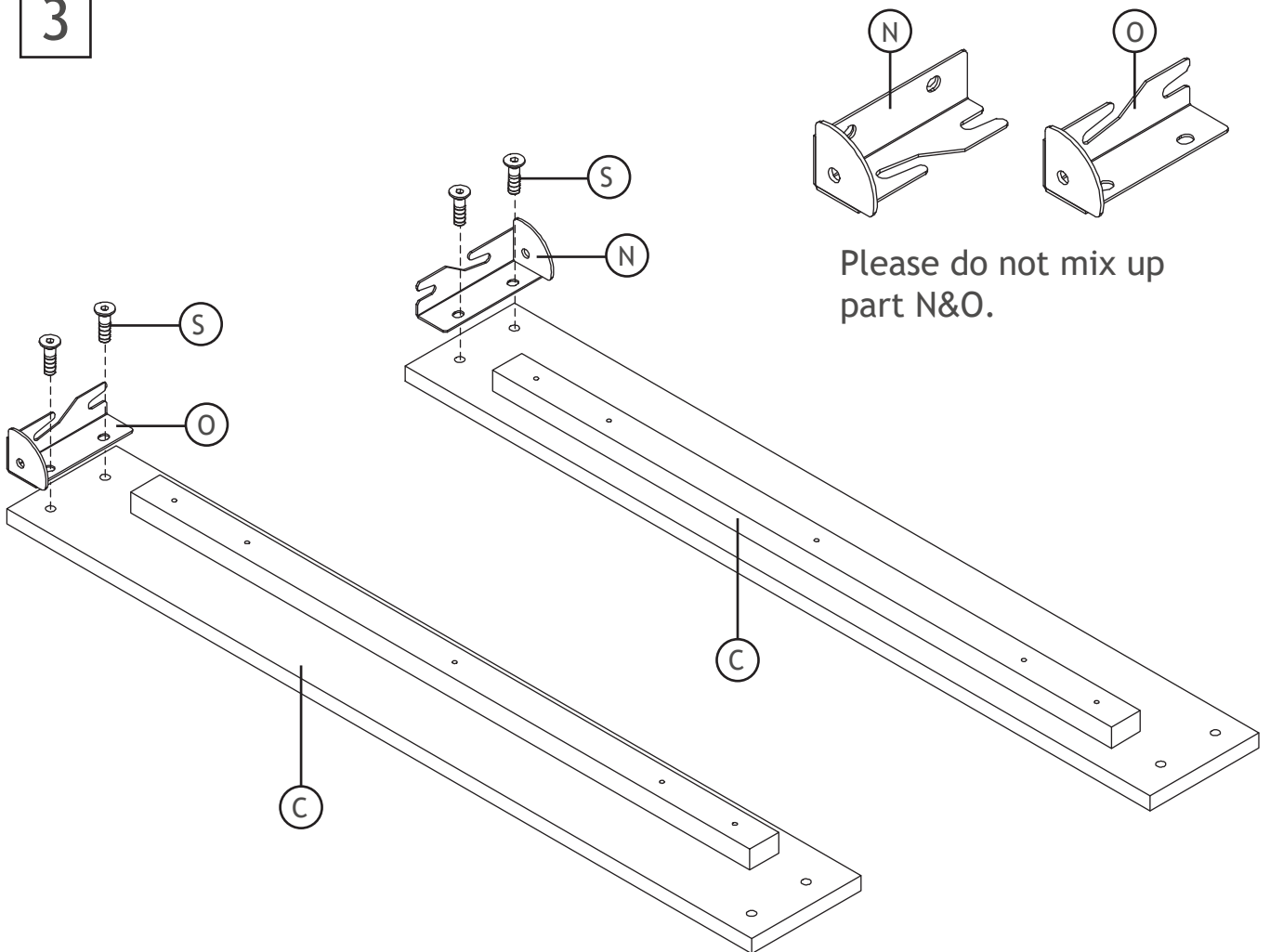
Please do not mix up part J1&J2.

The headboard(A) can be adjusted up and down by fixing the position of screws on the back.

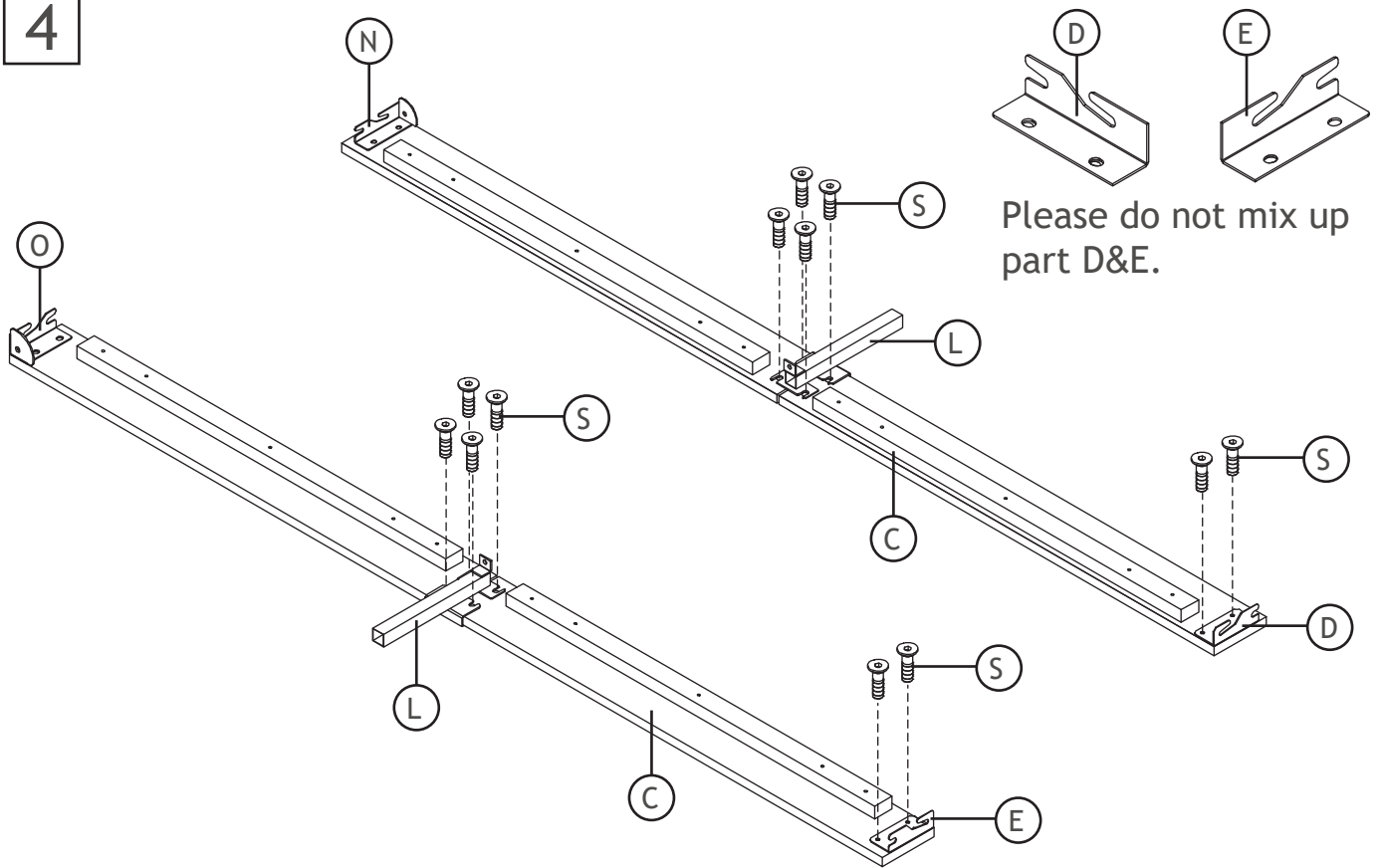
2



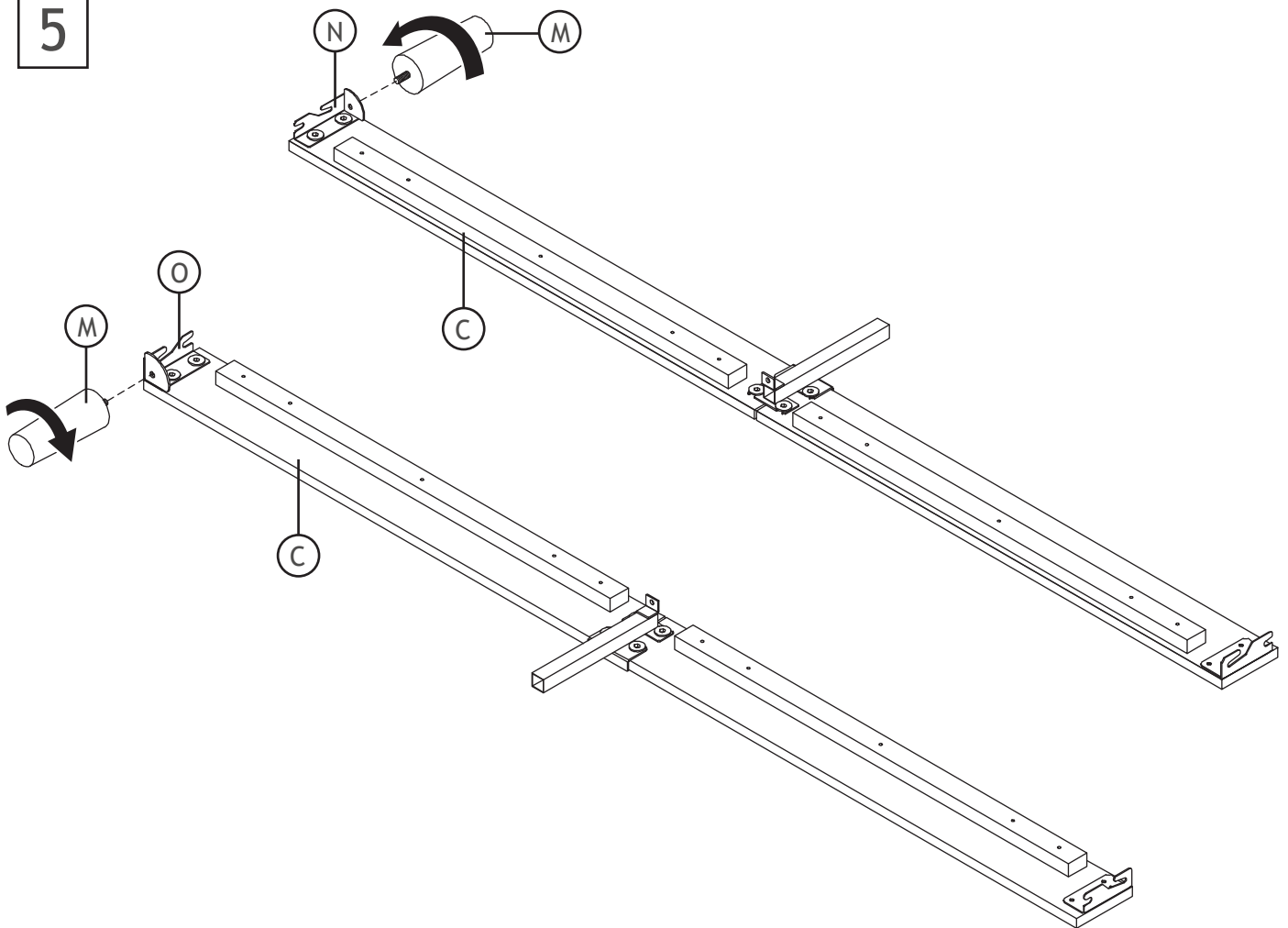
3



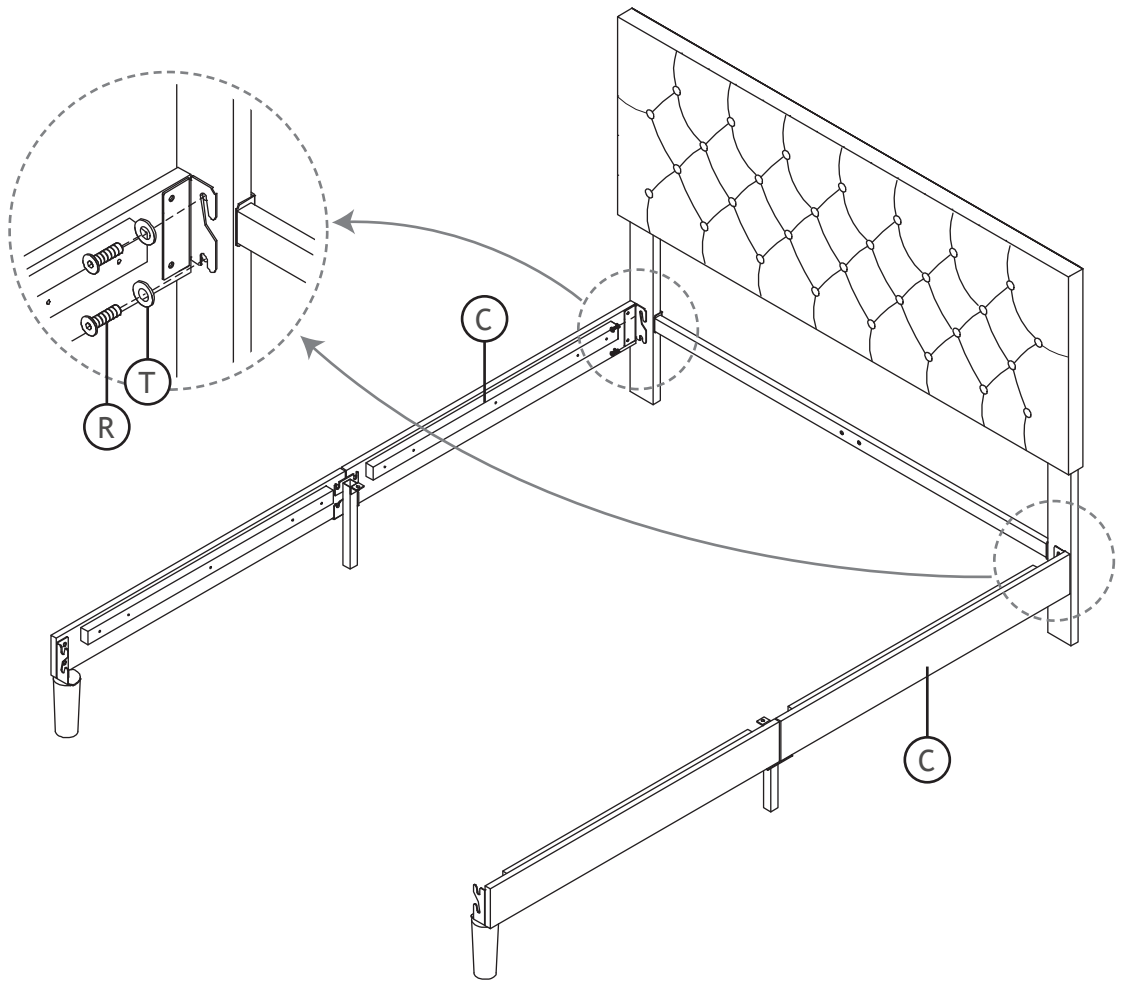
4



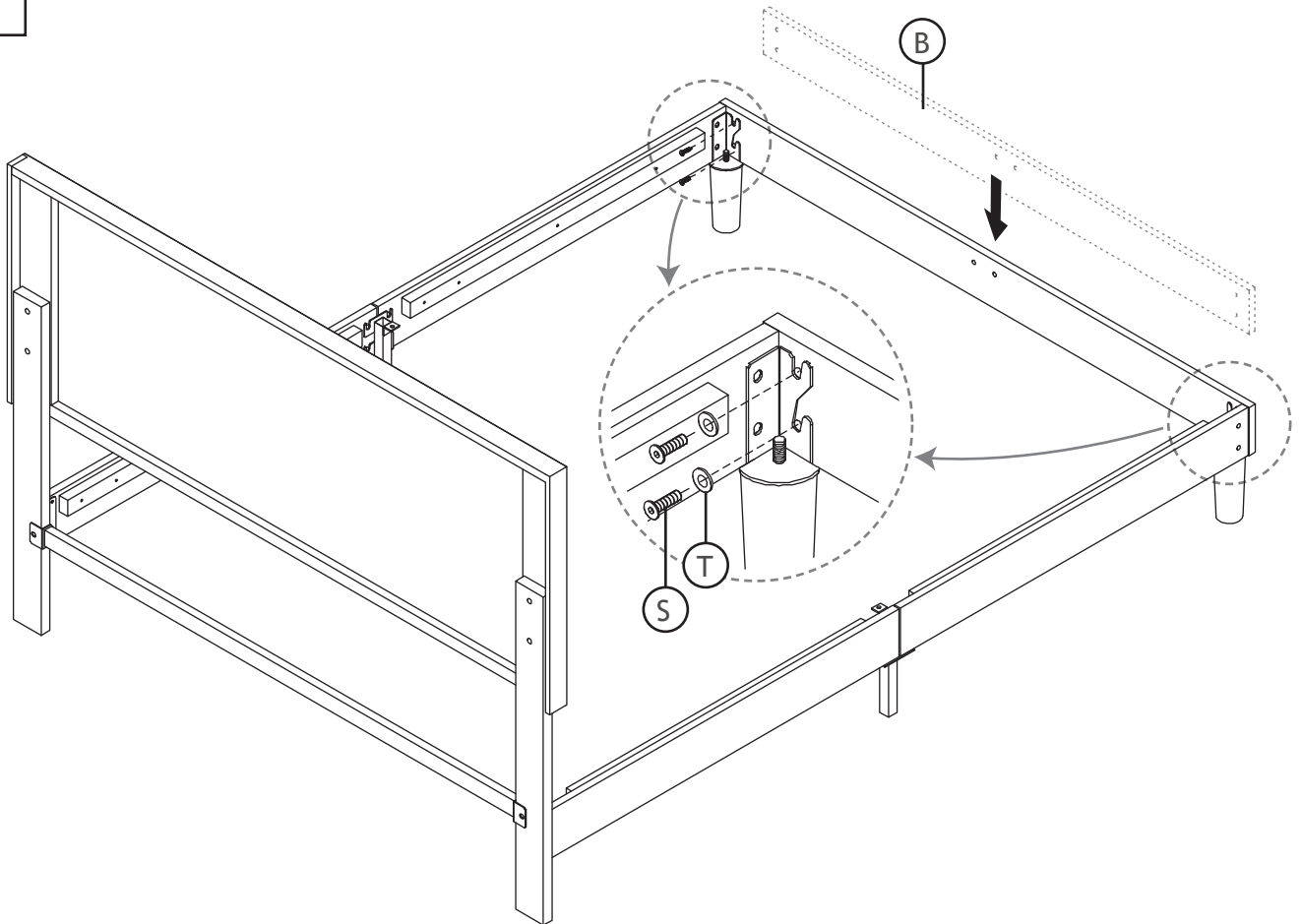
5



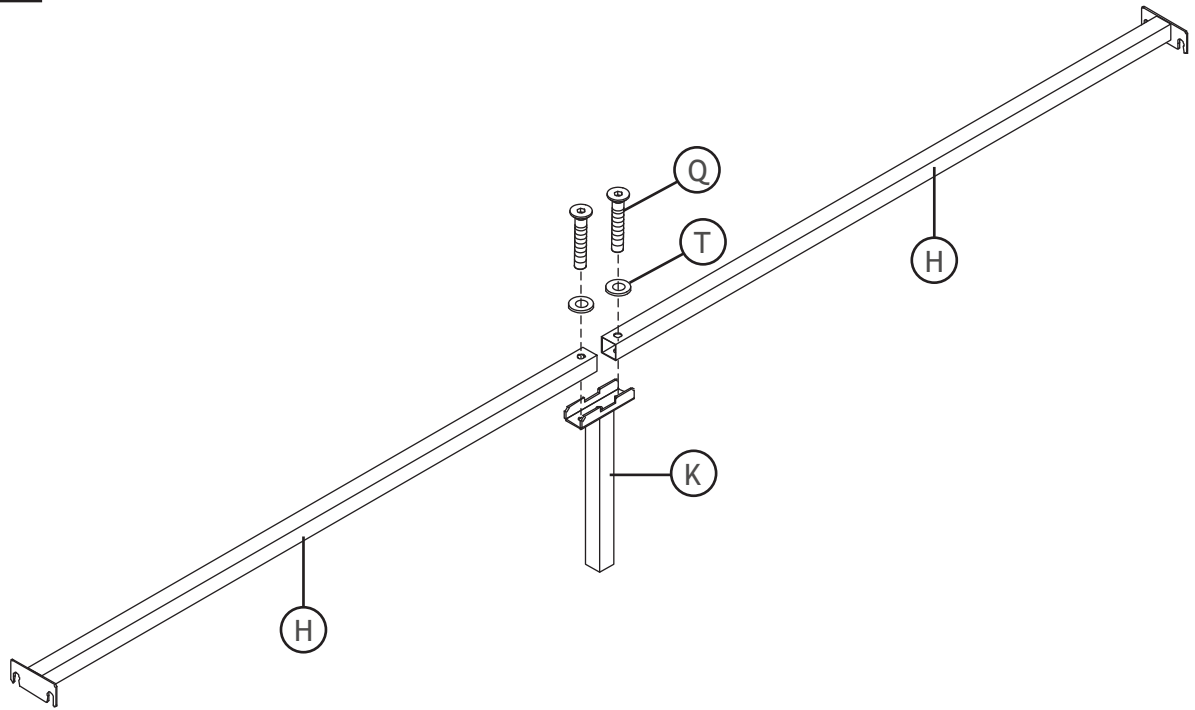
6



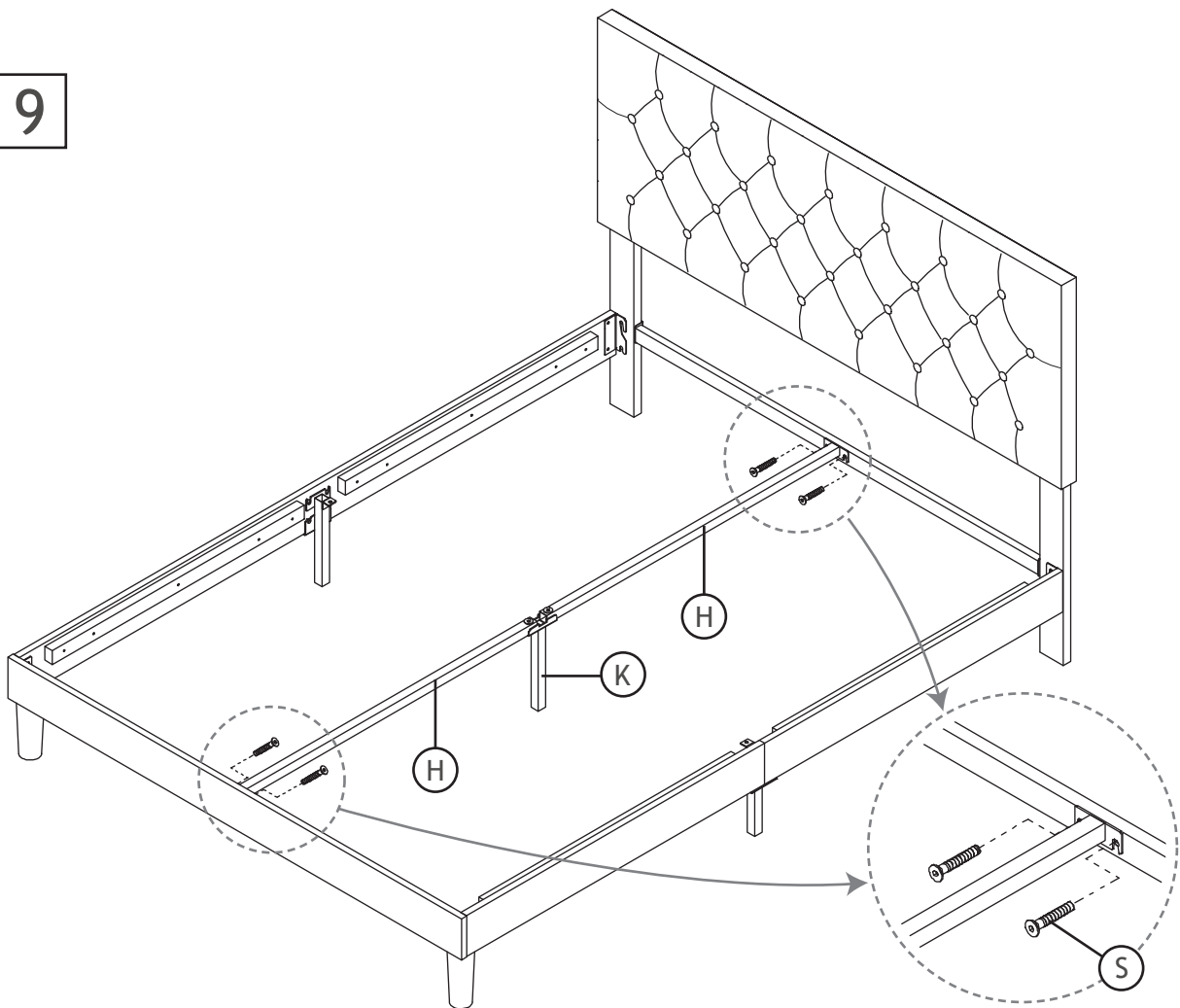
7



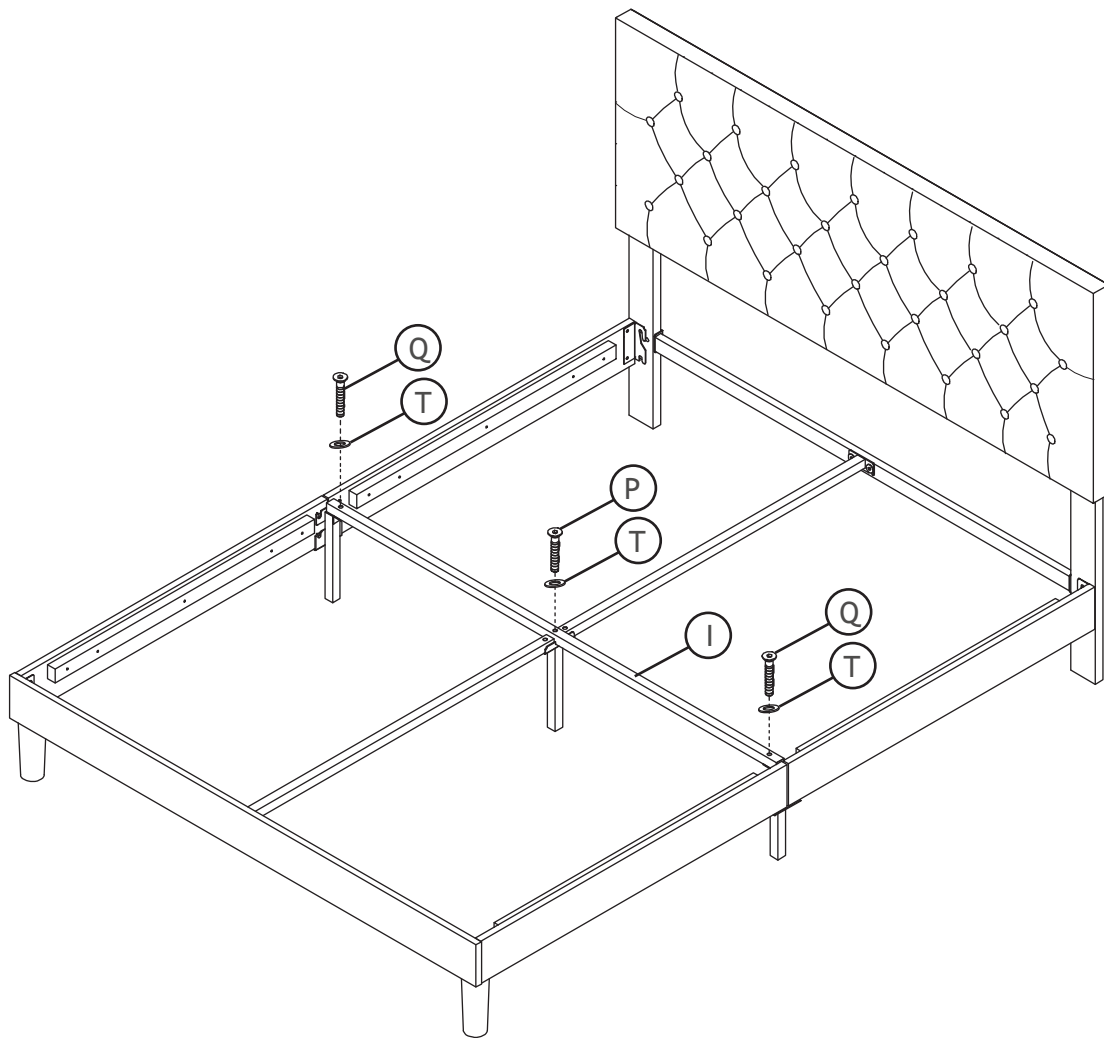
8



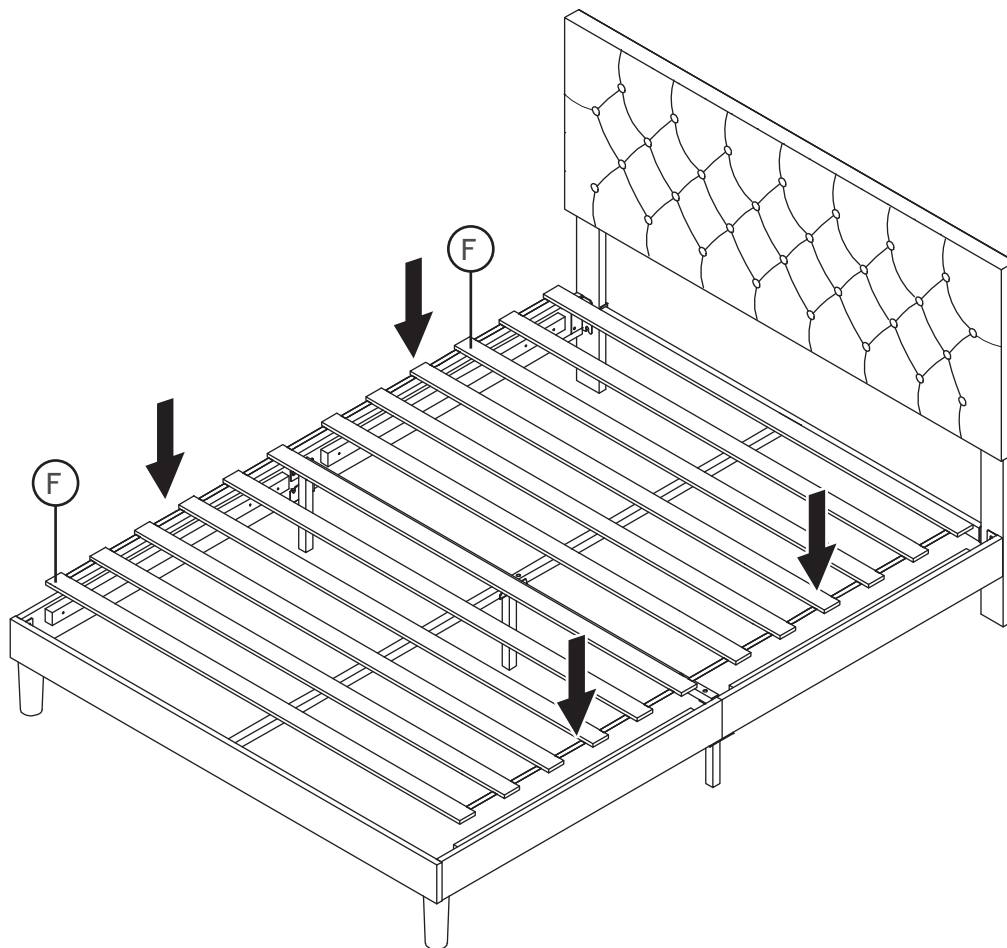
9



10



11



12

