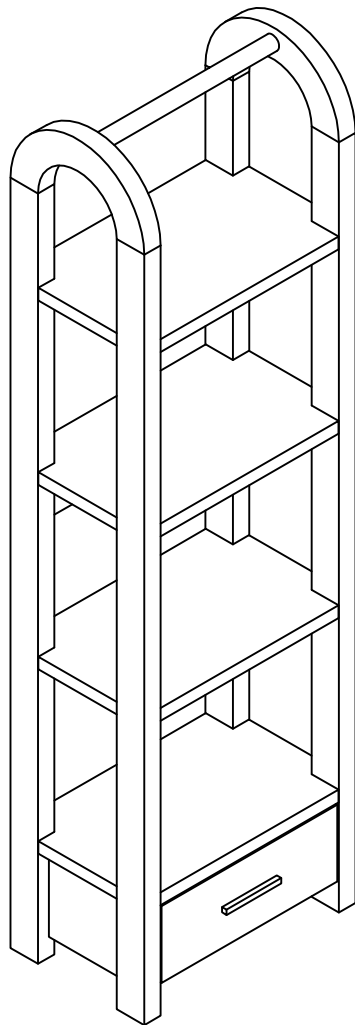


# ASSEMBLY INSTRUCTION

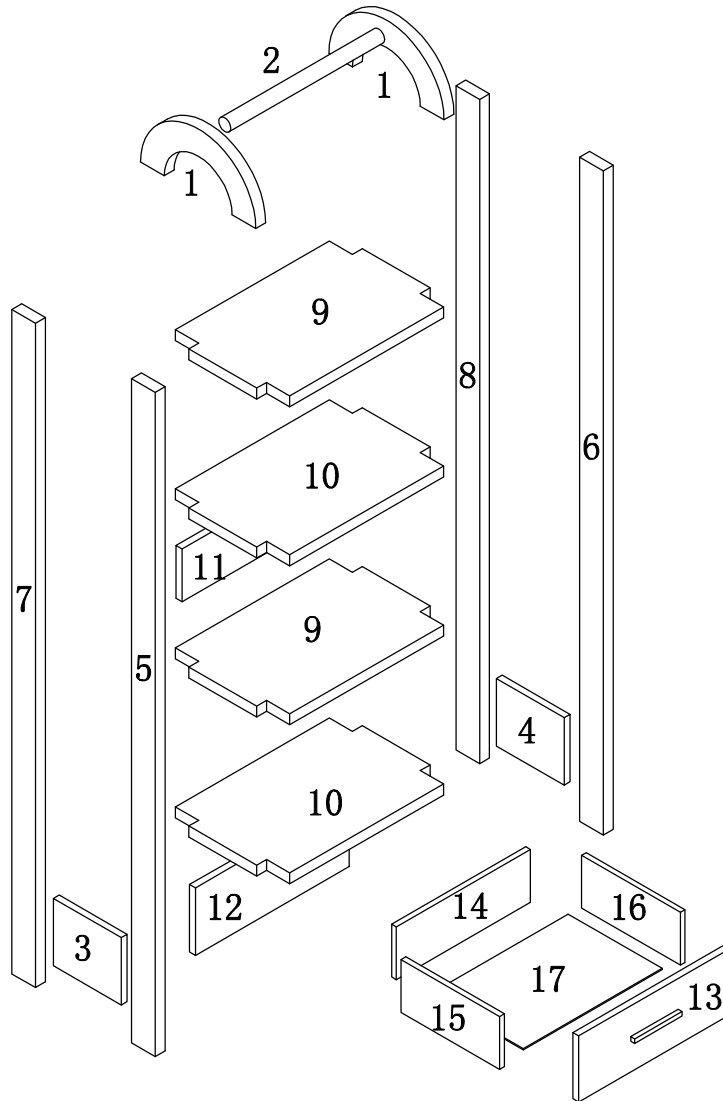
---

ITEM#: 14905



# PARTS IDENTIFICATION

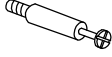





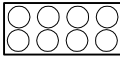

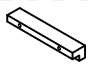



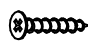

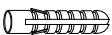
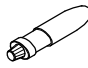
ITEM#: 14905



(1)	2pcs	(9)	2pcs	(17)	1pc
(2)	1pc	(10)	2pcs		
(3)	1pc	(11)	1pc		
(4)	1pc	(12)	1pc		
(5)	1pc	(13)	1pc		
(6)	1pc	(14)	1pc		
(7)	1pc	(15)	1pc		
(8)	1pc	(16)	1pc		

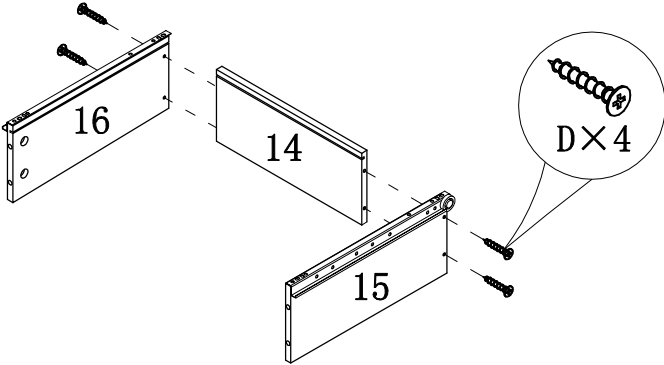
# HARDWARE IDENTIFICATION

ITEM#: 14905

A		L29	44pcs
B		ø15	44pcs
C		ø8 × 25	2pcs
D		ø4 × 30	4pcs
E		L20	4pcs
F		ø12	4pcs
G		ø20	10pcs
H		M6 × 30	2pcs
I		96#	1pc
J		ø4 × 22	2pcs
K		ø3.5 × 12	4pcs
L			1pc
M		ø4 × 25	1pc
N		ø5 × 40	1pc
O		ø8 × 40	1pc
P		Glue: For securing please apply to wood dowel first before inserting into panel	1pc

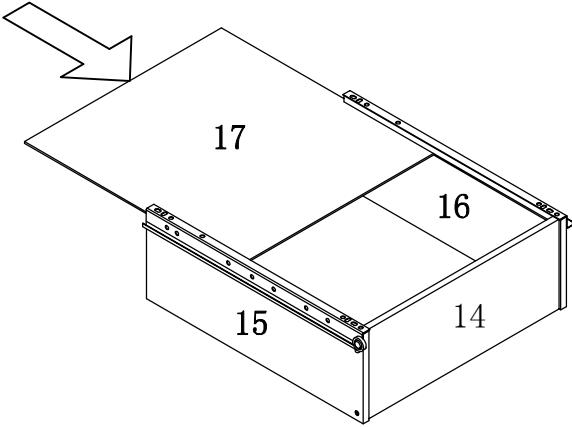
# ASSEMBLY INSTRUCTION

ITEM#: 14905

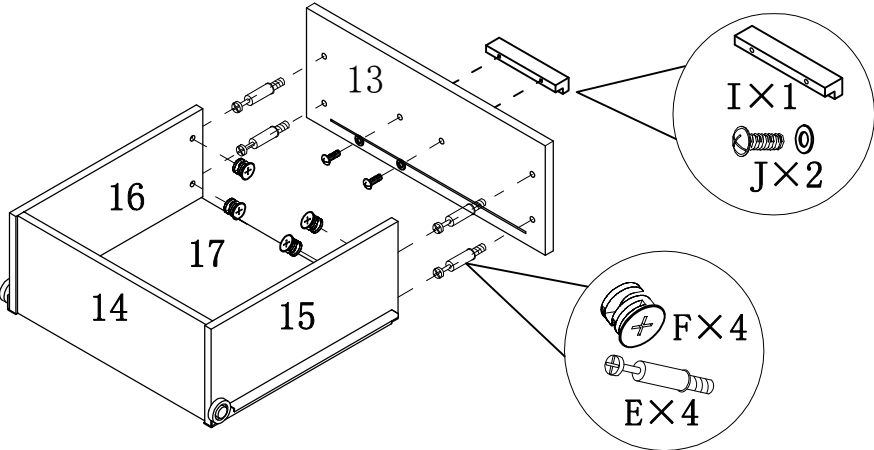


STEP 1

STEP 2

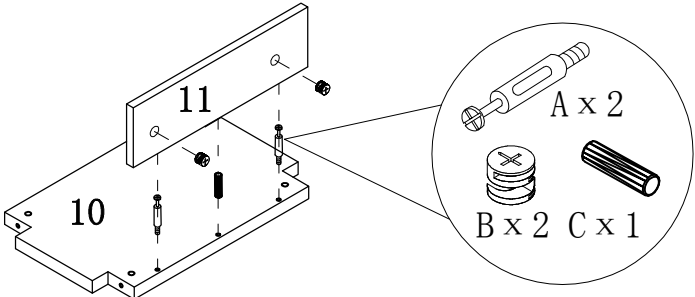


STEP 3



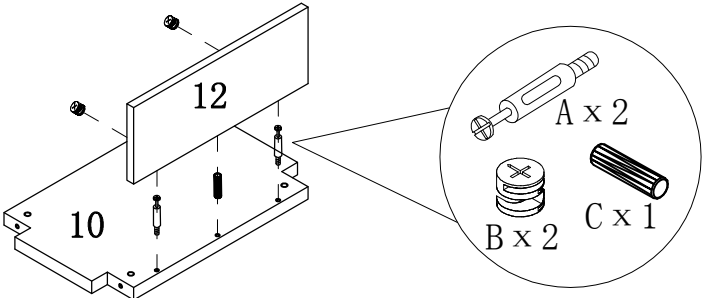
# ASSEMBLY INSTRUCTION

ITEM#: 14905

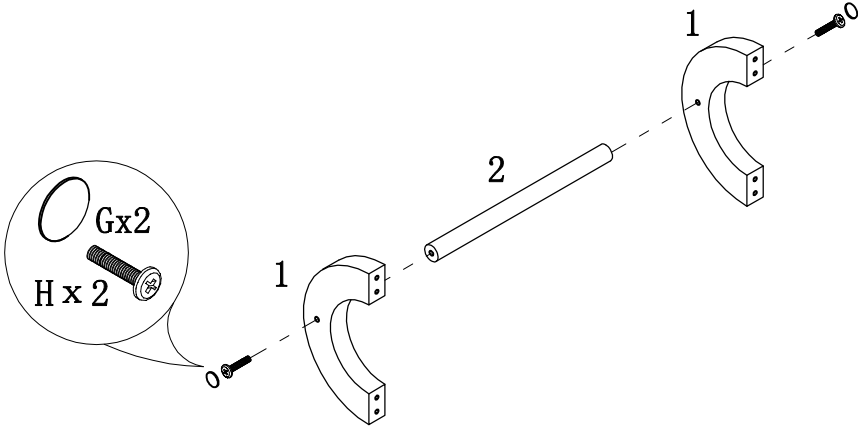


STEP4

STEP5

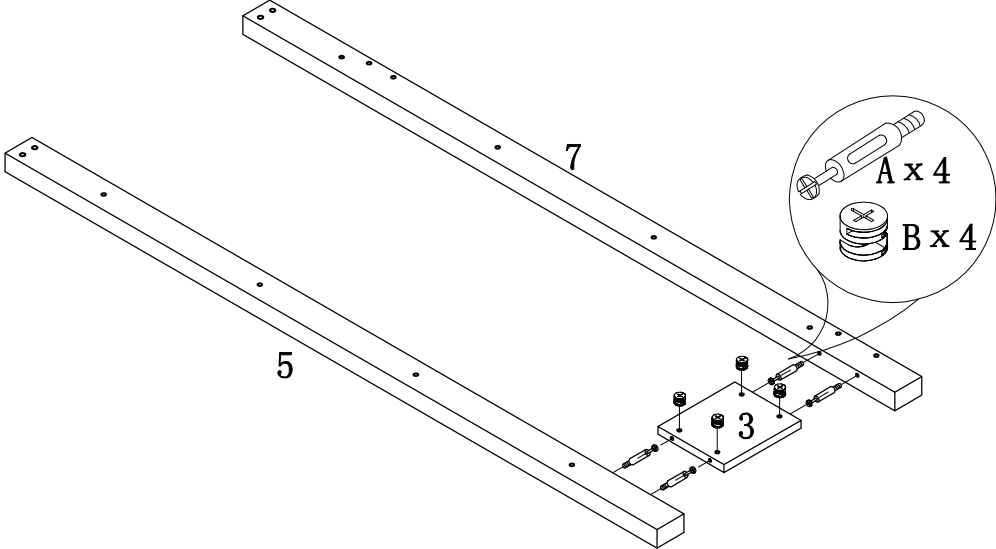


STEP6



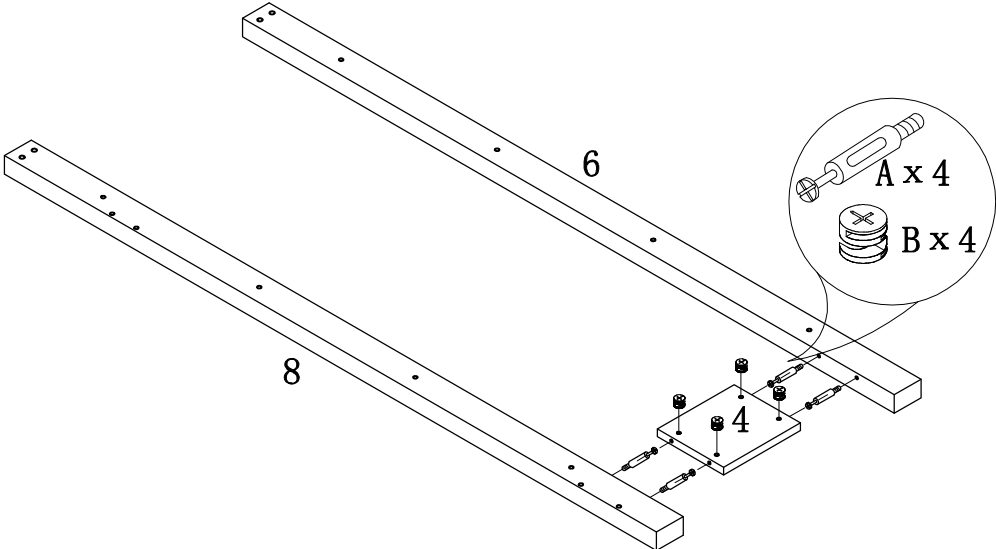
# ASSEMBLY INSTRUCTION

ITEM#: 14905



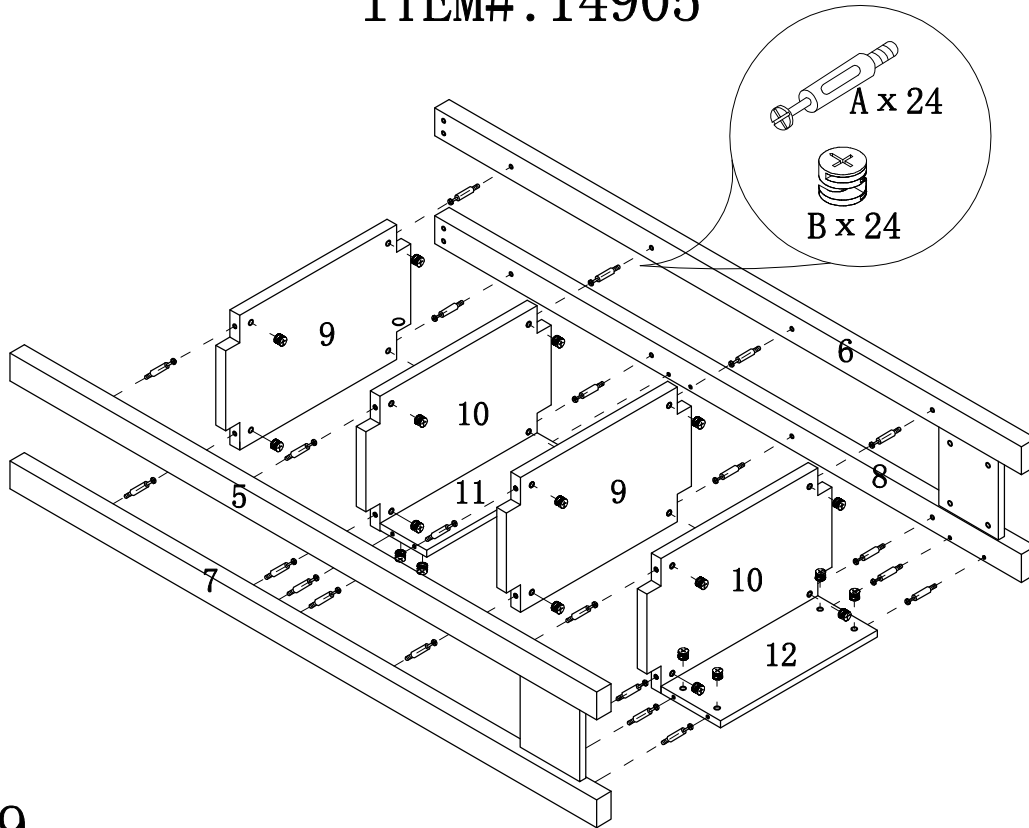
STEP7

STEP8



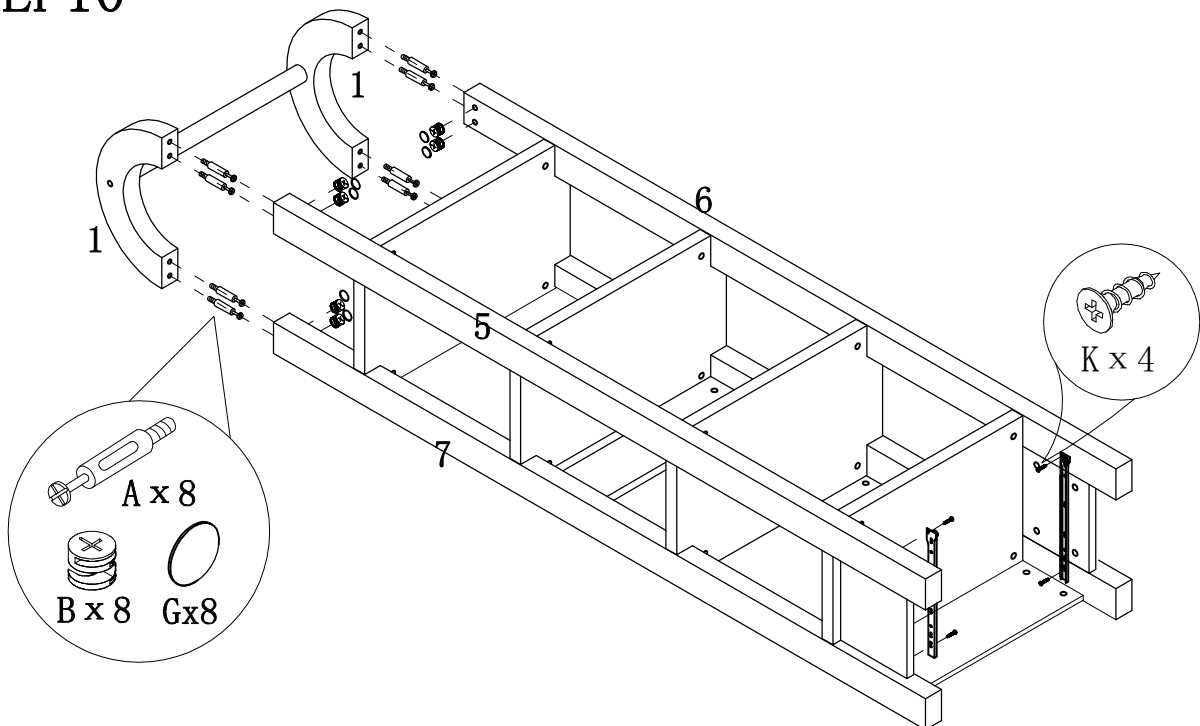
# ASSEMBLY INSTRUCTION

ITEM#: 14905



STEP9

STEP10



PAGE: 7 OF 8

# ASSEMBLY INSTRUCTION

ITEM#: 14905

