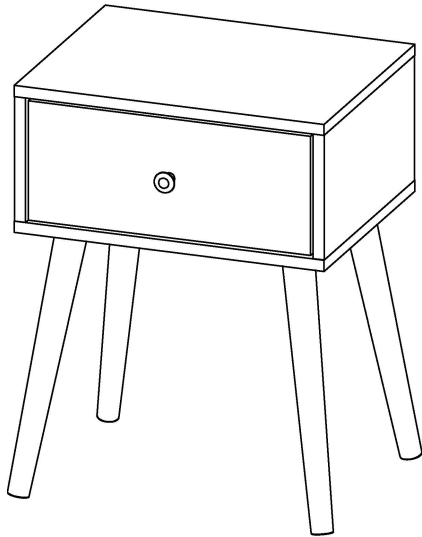


Thank you for your purchase!



Wooden Side Table with Storage Drawer

ASSEMBLY INSTRUCTIONS

Before You Begin:

Please identify all component parts and hardware pieces required before you begin. Carefully remove all of the components from the packaging and set aside for assembly. Assemble on a soft surface to prevent scratching during assembly.

Caution:

Tighten all components securely before use. Failure to do so may result in personal injury.

DO NOT use any sharp objects to open plastic wrapped components as damage to product or components may result.

Warning:

CHOKING HAZARD - Small Parts. Adult Assembly Required.

DO NOT ALLOW CHILDREN TO CLIMB ON FURNITURE

Serious or fatal injuries can occur from furniture tipping over. You must install Tipping Restraint Hardware (where included) to help prevent the unit from tipping and causing accidental injury, instability, death or damage. The tipping restraint is intended only as a safety measure, it is not a substitute for proper adult supervision.

To help prevent furniture from tipping over it must be permanently attached to the wall. Anti-Tip Safety Wall Straps suitable for the unit weight and wall materials (if not included) should be purchased and installed.

Have a Question/Concern?

Quality products and first-class customer service are the cornerstone of long-lasting consumer relationships. We strive toward excellence in all we do and want you to be completely satisfied with your purchase.

Please contact our exceptional Customer Experience Agents at the email address or phone number shown below to assist you with any product questions or issues before requesting a return.

We look forward to serving you in a friendly, efficient manner to resolve any issues you may have.

Our Warranty Statement

This warranty covers manufacturing defects associated with your new product. The product is warranted from the original purchase date and to the original purchaser for normal usage, according to the below-referenced specifications and limitations.



- Non-moving metal parts are warranted for 5 years.
- Component parts including pneumatic cylinder, control mechanism, base and casters are warranted for 2 years.
- All other items are warranted for 1 year.



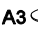

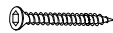

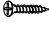


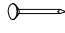


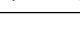


Normal usage means use in compliance with the restrictions and weight limits specified for the product. In the absence of product-specific restrictions and weight limits, normal usage means use for no more than forty hours per week by persons weighing 250 lbs. or less. Coverage terminates if the product is sold or otherwise transferred. Repairs made by parties other than Belnick also void this warranty.

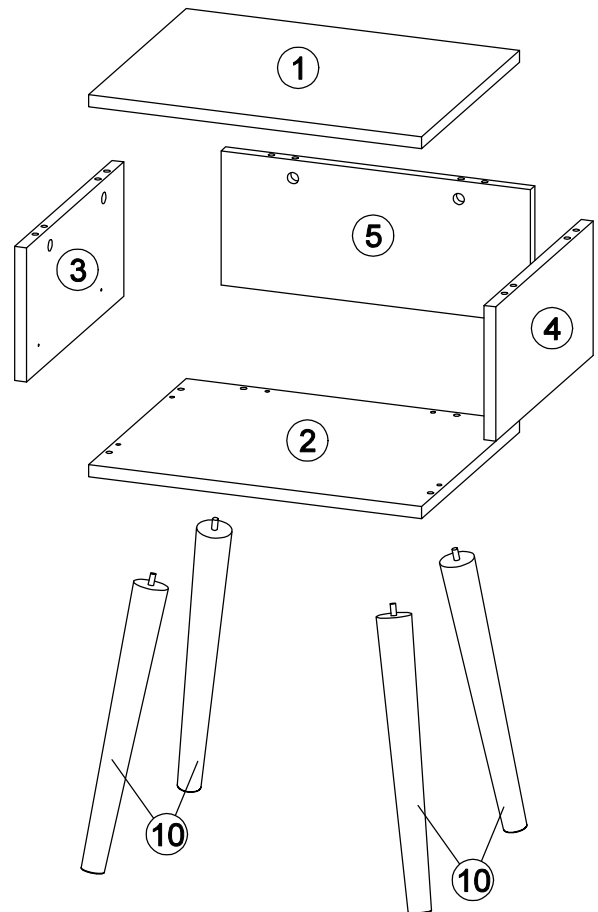
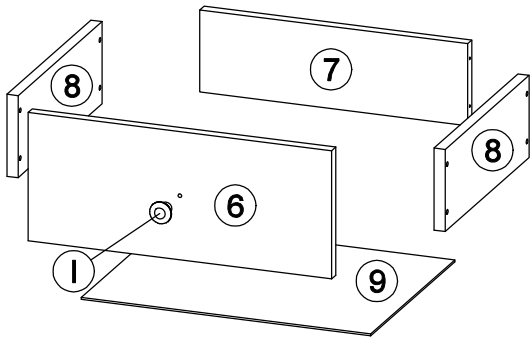
This warranty will not cover: (1) labor, freight, or damage from misuse, abuse, negligence, alteration, assembly, installation, attachments, accident, vandalism, acts of nature or any other event beyond the control of Belnick; (2) tearing, scratching, scuffing, or blemishing of leather or fabric; (3) cosmetic damage that may result from normal usage; (4) damage attributable to use by persons exceeding specified weight limits or commercial use exceeding forty hours per week; or (5) rust or other damage caused by exposure to moisture. The user assumes all risk of injury resulting from use of this product. Liability for incidental or consequential damage is excluded. Some states do not allow the exclusion or limitation of incidental or consequential damages, so the above limitation or exclusion may not apply to you.

PART AND HARDWARE

| PART LIST | | QTY |
|-----------|------------------|-------|
| 1 | TOP PANEL | 1 PC |
| 2 | BOTTOM PANEL | 1 PC |
| 3 | LEFT SIDE PANEL | 1 PC |
| 4 | RIGHT SIDE PANEL | 1 PC |
| 5 | BACK PANEL | 1 PC |
| 6 | DRAWER FRONT | 1 PC |
| 7 | DRAWER BACK | 1 PC |
| 8 | DRAWER SIDE | 2 PCS |
| 9 | DRAWER BOTTOM | 1 PC |
| 10 | CABINET LEG | 4 PCS |

| | |
|--|--|
| REQUIRED TOOLS: Tools below are NOT included in package. | |
|  PHILLIPS SCREWDRIVER |  HAMMER |

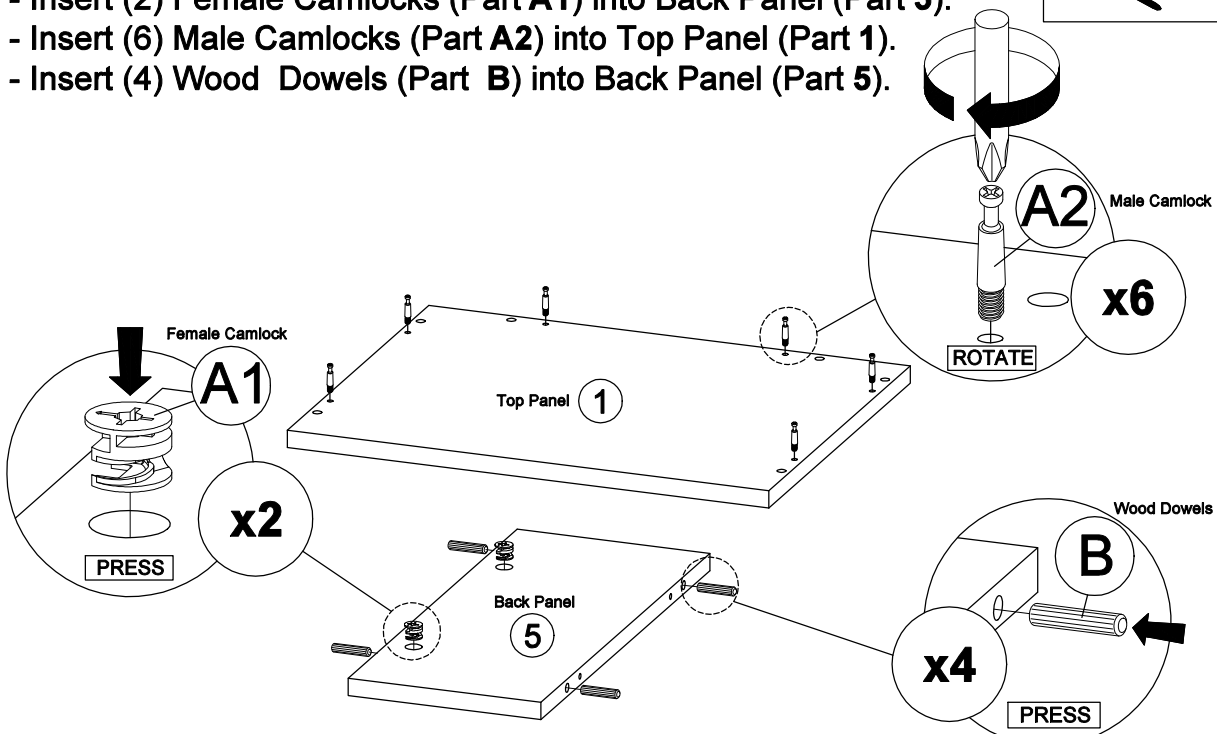
| HARDWARE | | | |
|----------|-----------------------------|--|--------|
| A | CAM LOCK | A1  A2  A3  | 6 SETS |
| B | M8 X 30MM WOOD DOWEL |  | 12 PCS |
| C | M6 X 50MM HEX WOOD SCREW |  | 6 PCS |
| D | ALLEN WRENCH M4 |  | 1 PC |
| E | M3.5 X 16MM SCREW |  | 32 PCS |
| F | M4 X 38MM SCREW |  | 8 PCS |
| G | M4 X 45MM SCREW |  | 1 PC |
| H | 5/8 NAIL |  | 8 PCS |
| I | DRAWER PULL |  | 1 PC |
| J | 10" DRAWER SLIDE | J1 (L/R)  J2 (L/R)  | 1 SET |
| K | IRON LEG BRACKET |  | 4 PCS |
| L | 5/8 PVC NAIL-IN FLOOR GLIDE |  | 4 PCS |



STEP 1

- Insert (2) Female Camlocks (Part A1) into Back Panel (Part 5).
- Insert (6) Male Camlocks (Part A2) into Top Panel (Part 1).
- Insert (4) Wood Dowels (Part B) into Back Panel (Part 5).

SCREWDRIVER
REQUIRED

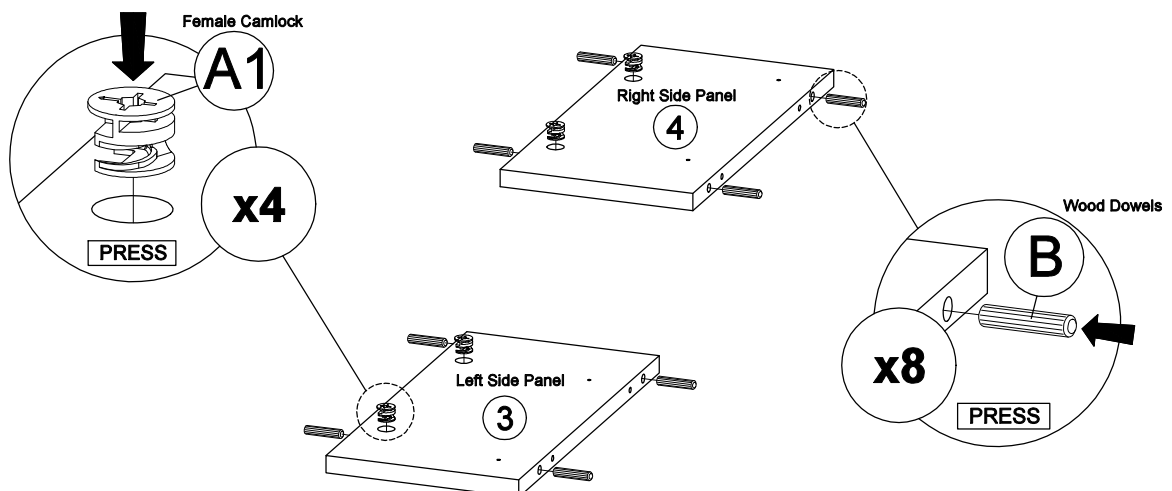


* Ensure the arrows on Female Camlocks A1 point towards outer receiver holes.

STEP 2

- Insert (4) Female Camlocks (Part A1) into Left Side Panel (Part 3) and Right Side Panel (Part 4).
- Insert (8) Wood Dowels (Part B) into Left Side Panel (Part 3) and Right Side Panel (Part 4).

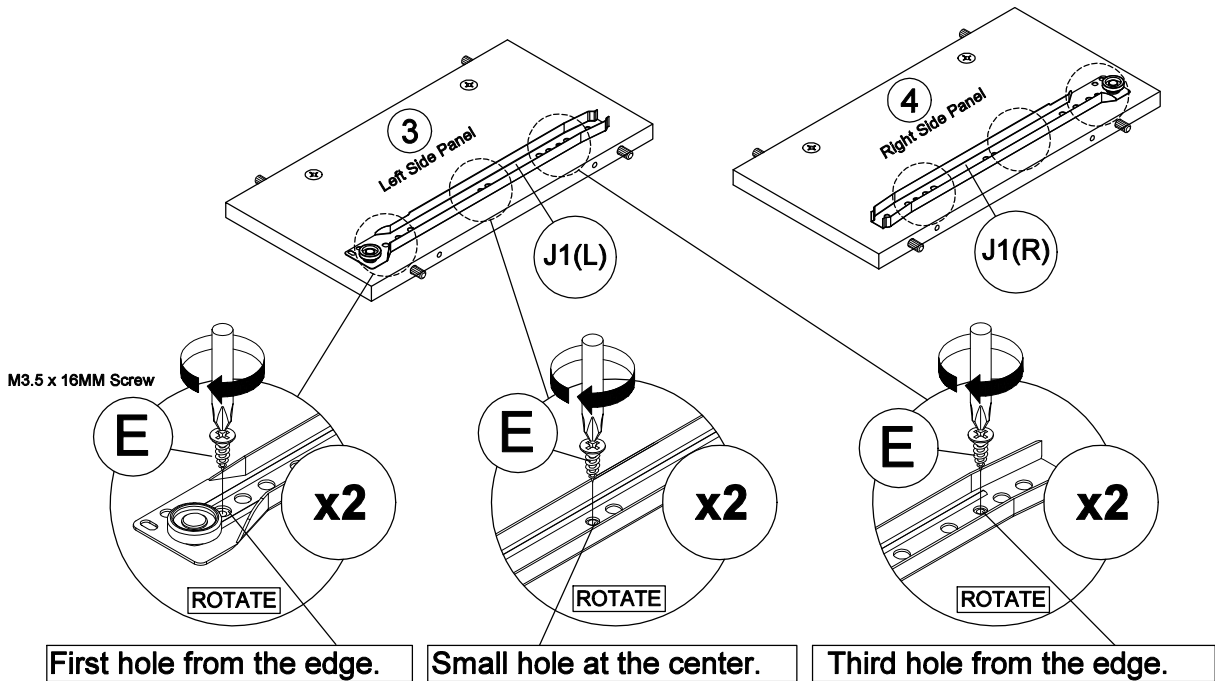
SCREWDRIVER
REQUIRED



* Ensure the arrows on Female Camlocks A1 point towards outer receiver holes.

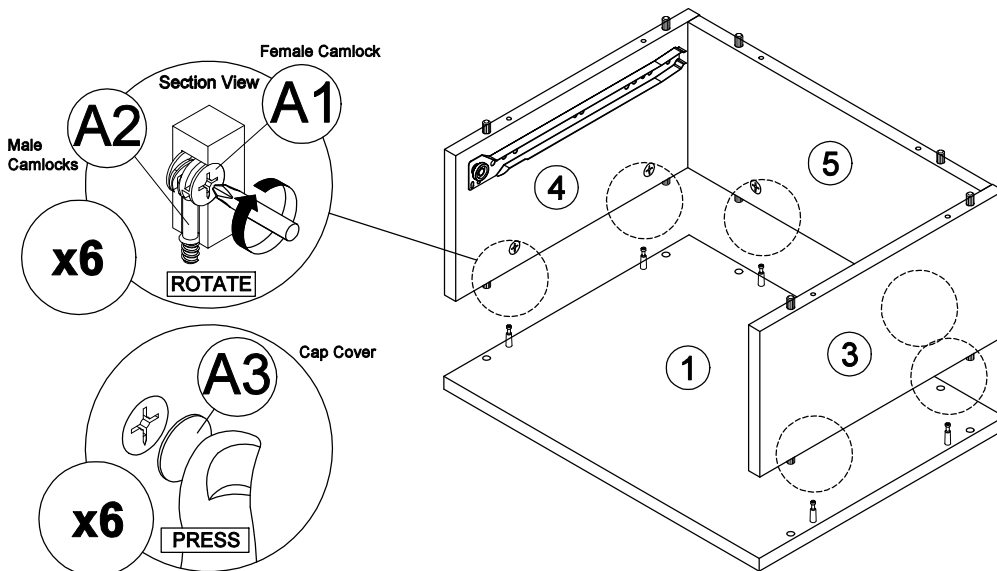
STEP 3

- Attach Drawer Slides (Parts J1 (L/R) to Left Side Panel (Part 3) and Right Side Panel (Part 4) using (6) M3.5 x 16MM Screws (Part E).



STEP 4

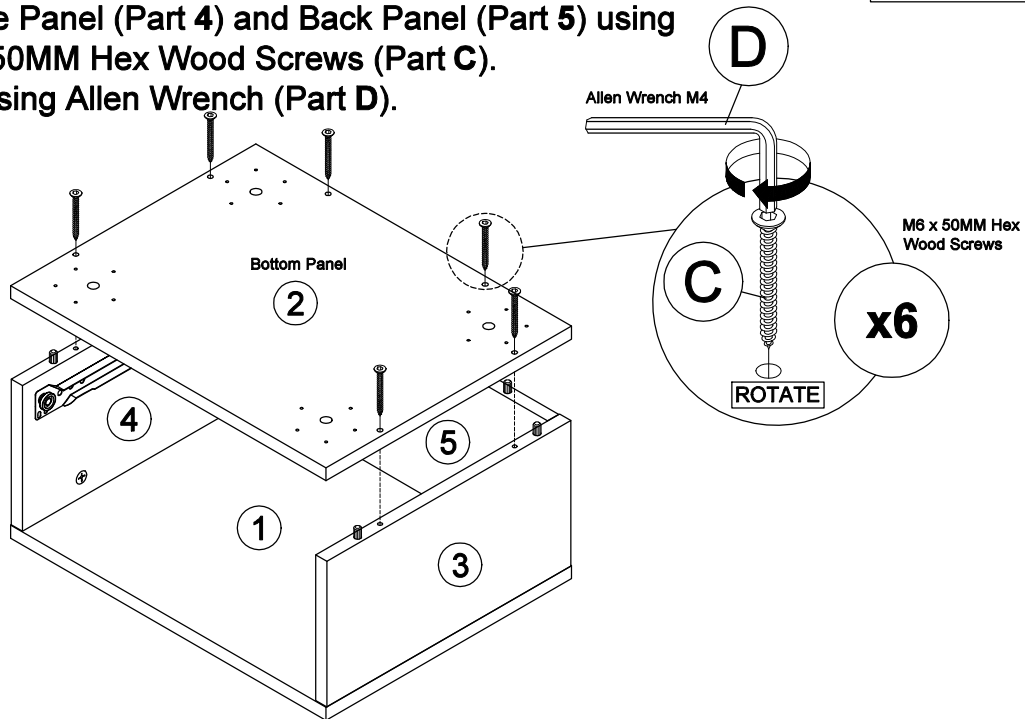
- Attach panels (3), (4) and (5) to underside of Top Panel (Part 1) by inserting the Female Camlocks (Part A1) into Male Camlocks (Part A2).
- Turn Female Camlocks clockwise using a Phillips Screwdriver until tightened.
- Attach (6) Camlock Caps (Part A3).



* In this step Female Camlock A1, Male Camlock A2 and Wood Dowels B are pre-inserted.

STEP 5

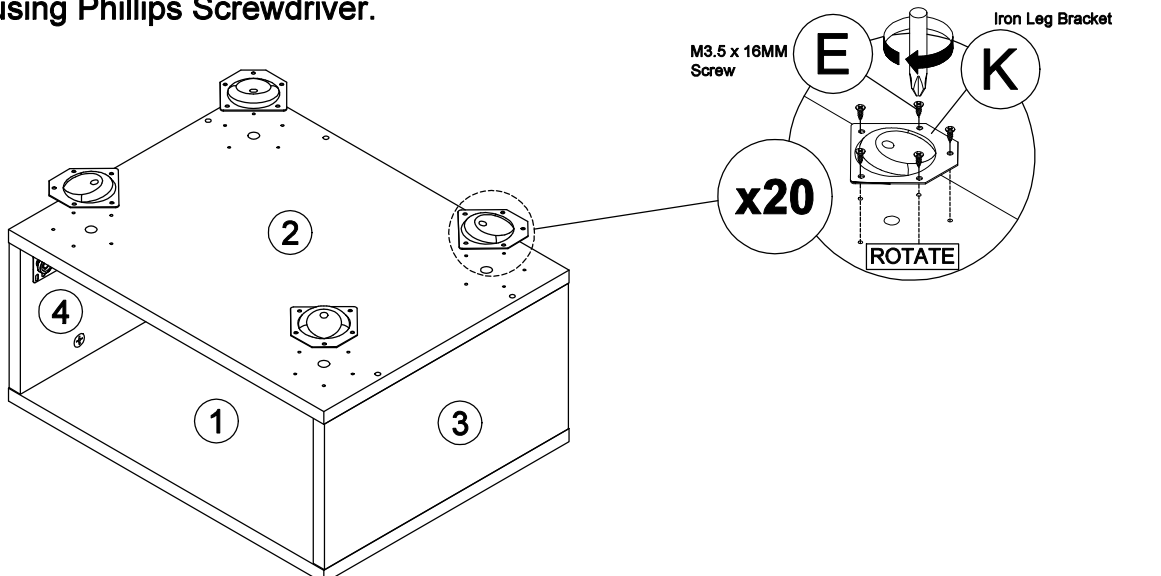
- Attach Bottom Panel (Part 2) to Left Side Panel (Part 3), Right Side Panel (Part 4) and Back Panel (Part 5) using (6) M6 x 50MM Hex Wood Screws (Part C).
- Tighten using Allen Wrench (Part D).



* In this step Wood Dowels B are pre-inserted.

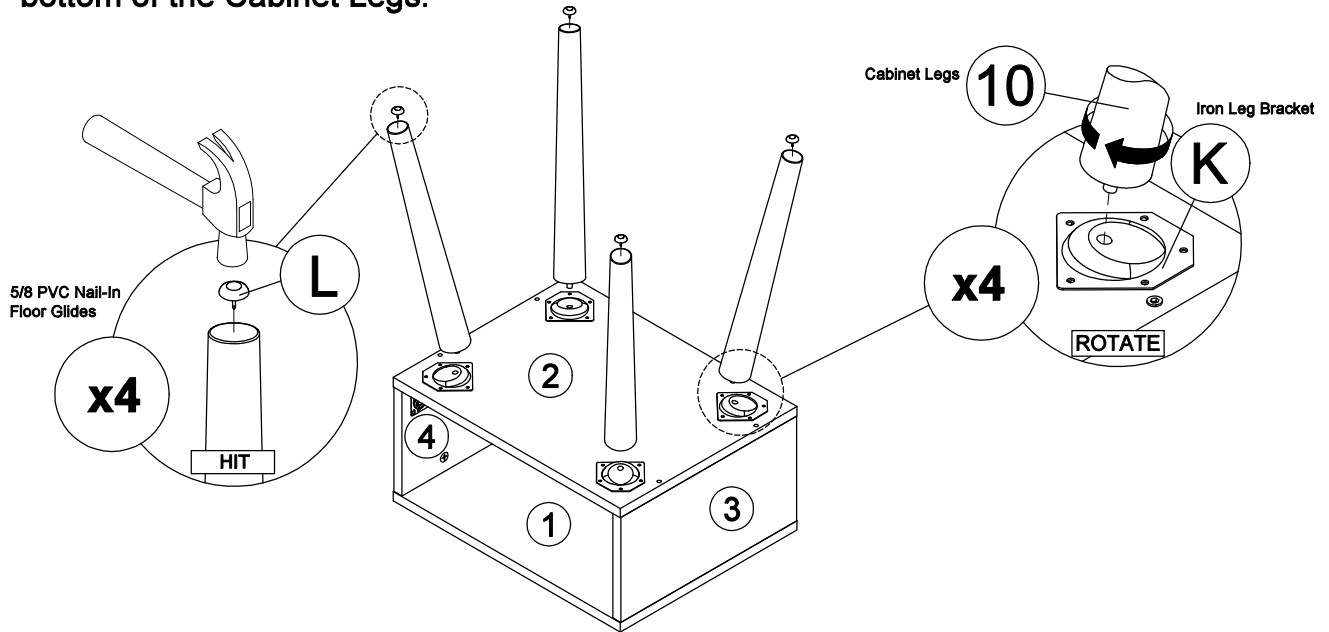
STEP 6

- Attach (4) Iron Leg Brackets (Part K) to Bottom Panel (Part 2) using (20) M3.5 x 16MM Screws (Part E).
- Tighten using Phillips Screwdriver.



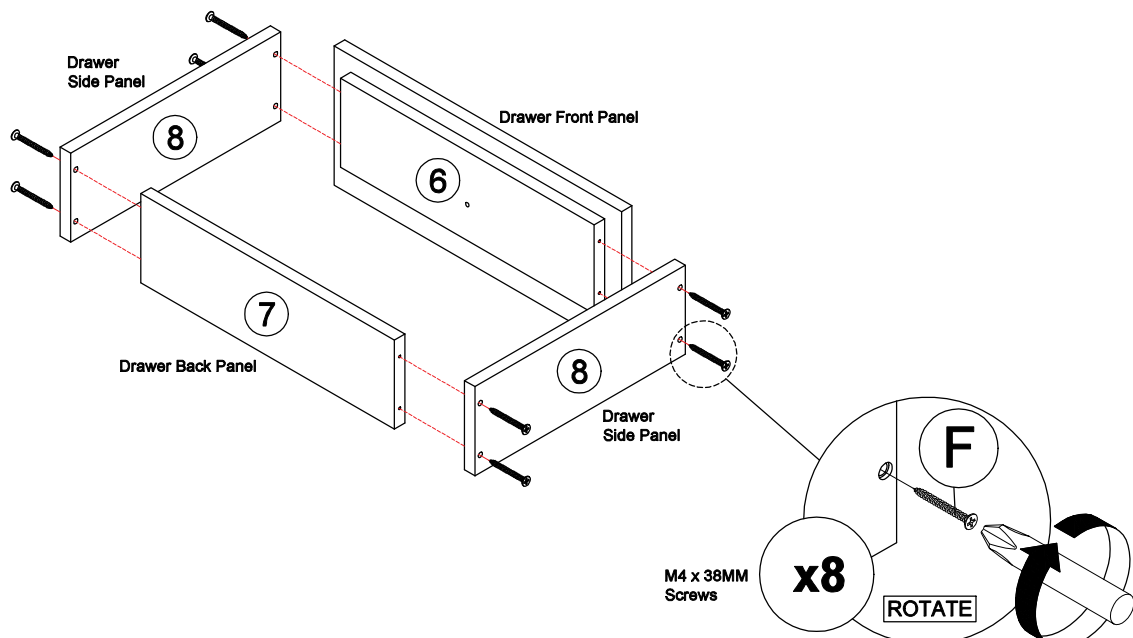
STEP 7

- Insert (4) Cabinet Legs (Part 10) into Iron Leg Brackets (Part K) and turn clockwise to tighten.
- Using a hammer, gently tap the (4) 5/8 PVC Nail-In Floor Glides (Part L) into the bottom of the Cabinet Legs.



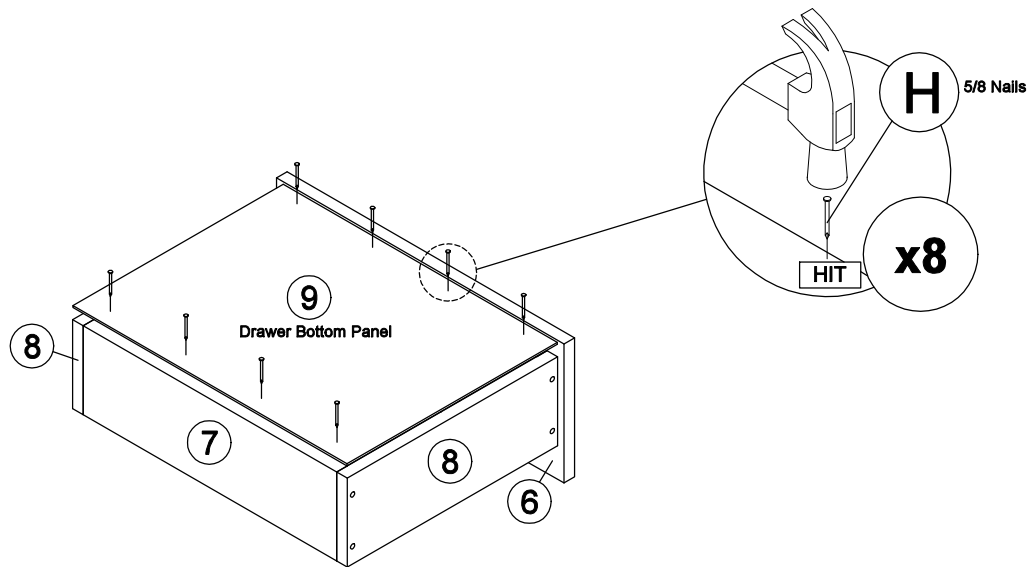
STEP 8

- Attach (2) Drawer Side Panels (Part 8) to Drawer Front Panel (Part 6) and Drawer Back Panel (Part 7) using (8) M4 x 38MM Screws (Part F).
- Tighten using a Phillips Screwdriver.



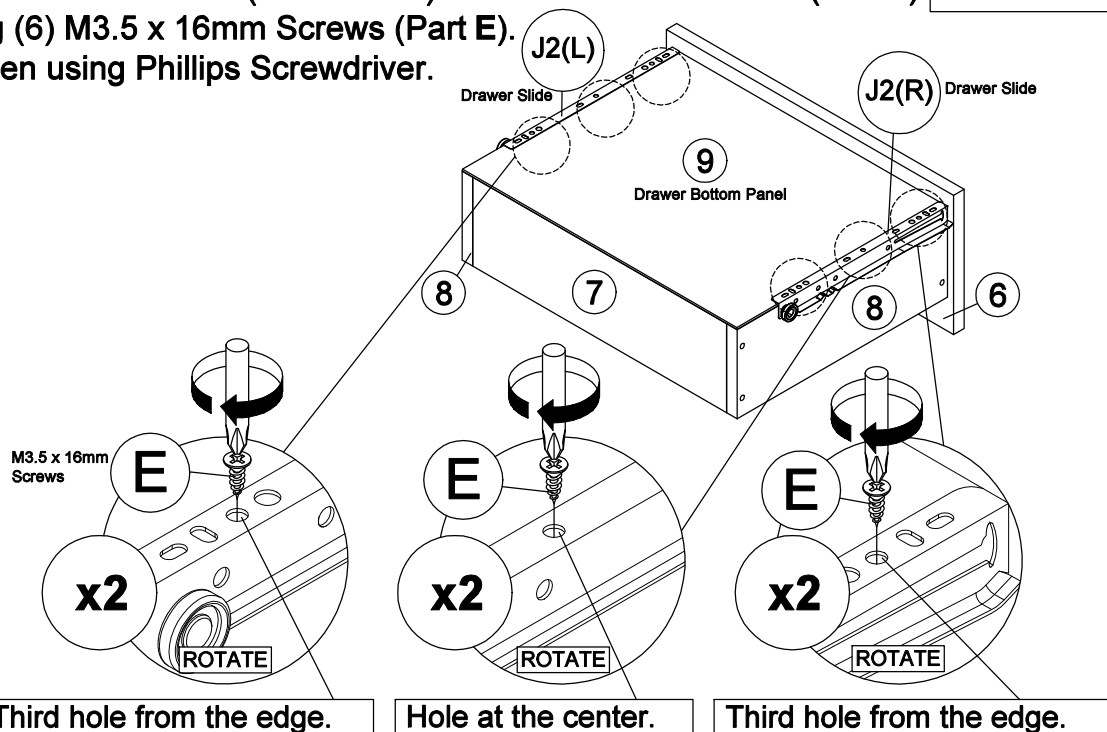
STEP 9

- Attach Drawer Bottom Panel (Part 9) to assembled drawer frame using (8) 5/8 Nails (Part H).



STEP 10

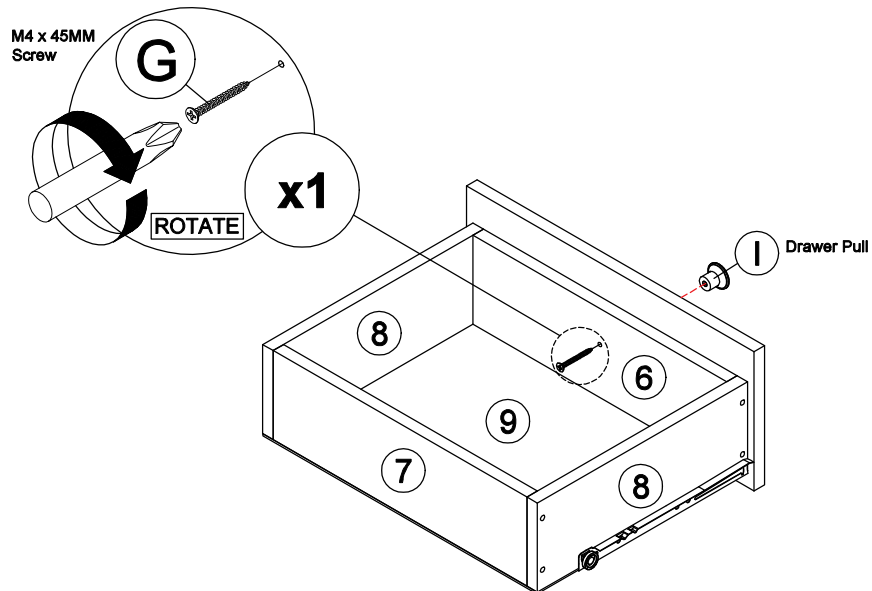
- Attach Drawer Slides (Part J2 L/R) to Drawer Bottom Panel (Part 9) using (6) M3.5 x 16mm Screws (Part E).
- Tighten using Phillips Screwdriver.



*Ensure Drawer Slides J2 (L/R) are touching Drawer Front Panel (Part 6) when assembling.

STEP 11

- Attach Drawer Pull (Part I) to Drawer Front Panel (Part 6) using (1) M4 x 45MM Screw (Part G).
- Tighten using Phillips Screwdriver.



STEP 12

- Align Drawer Slides and insert Drawer into Cabinet.

