

CARE AND MAINTENANCE

Store outdoor furniture indoors or cover well when not in use.

Remove wooden furniture from standing water. Dust regularly with small brush or vacuum

Spills should be taken care of immediately before they harden or stain with a slightly dampened sponge.

NOTICE

- * Please make sure that you have all parts indicated before you begin assembly of this item
- * This item should be assembled on a soft surface to prevent scratching the finish during assembly
- * This item may require periodic tightening



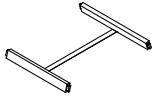
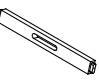
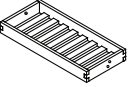
Weight Capacity : 600 Ibs







Warning : Do not stand on chair

Warning : Do not over torque bolts / screws

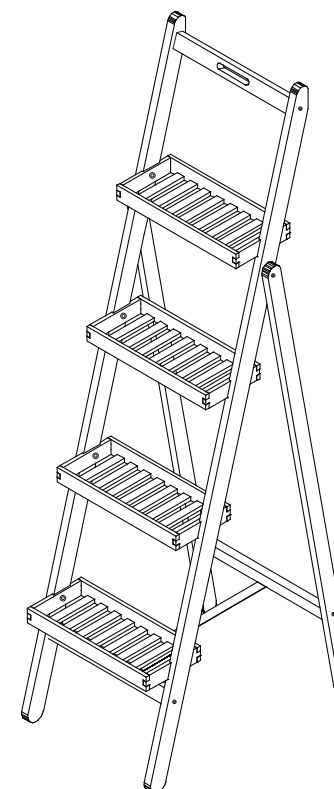


Part List and Hardware List

| PIECE | DESCRIPTION | PICTURE | QUANTITY |
|-------|-----------------------|---|----------|
| A | Long leg |  | 2X |
| B | Short leg |  | 2X |
| C | Bracing the lower leg |  | 1X |
| D | Shoulder frame |  | 1X |
| E | Floor |  | 4X |

| PIECE | DESCRIPTION | PICTURE | QUANTITY |
|-------|-----------------------|---|----------|
| F | Screw M6x50 |  | 6X |
| G | Bolt M6x30 |  | 2X |
| H | Bolt M6x18 |  | 8X |
| I | Nut M6x15 |  | 2X |
| J | Washer M6.5/24X1.5 |  | 2X |
| K | Allen key LG4 |  | 2X |

Product Dimensions: 17.63" W x 23.62" D x 67.32" H



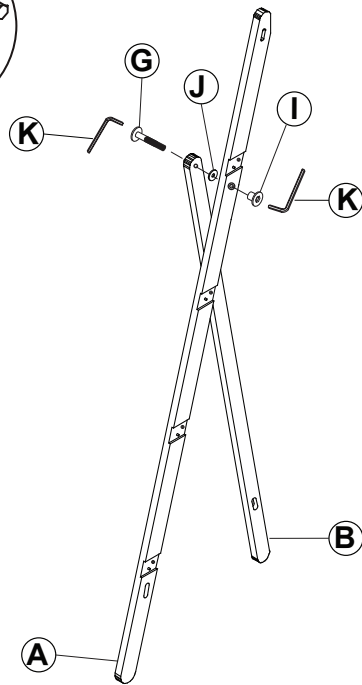
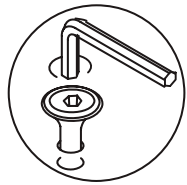
PREPARATION

Before beginning assembly of product, make sure all parts are present. Compare parts with package contents list and hardware contents list. If any part is missing or damaged, do not attempt to assemble the product.

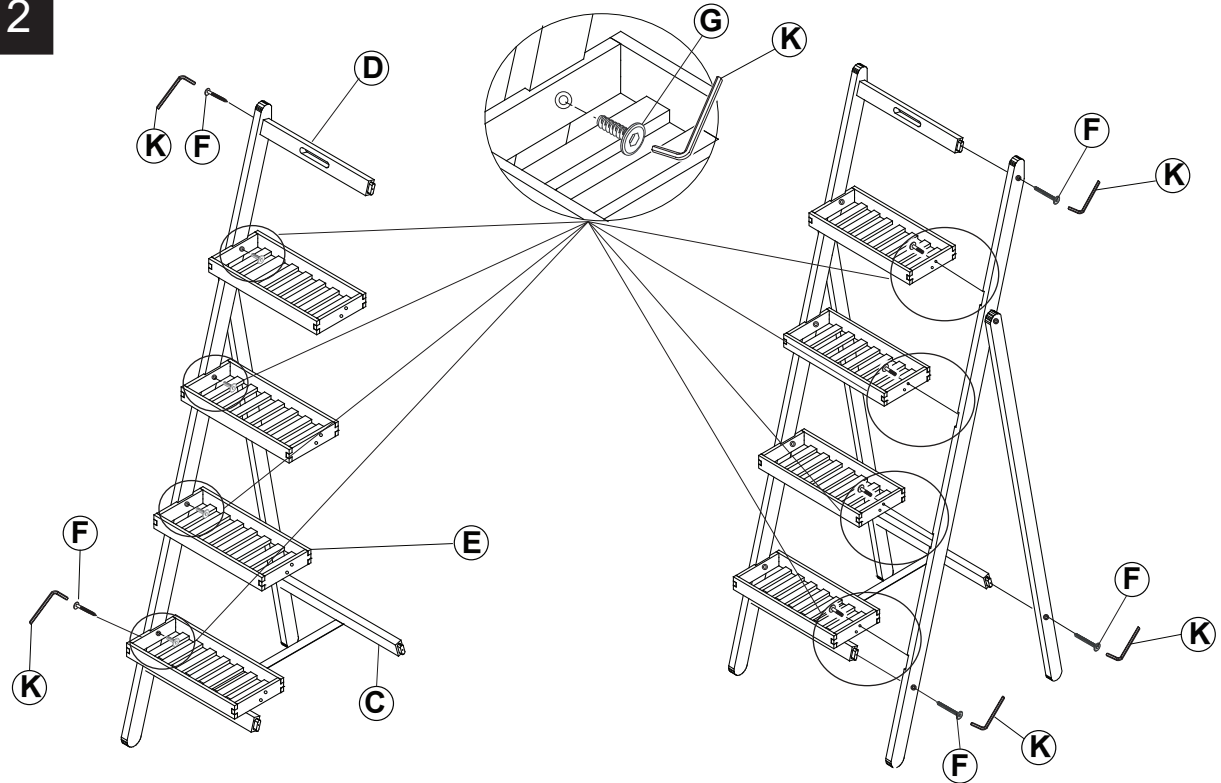
Estimated Assembly Time: 10 minutes.

Tools Required for Assembly (included): Allen Key

1



2



Step 1

Attach Long leg (A) to Short leg (B) ,use Bolt (G) ,Washer (J) and Nut (I) tighten with allen key (K).

Step 2

Attach Floor (E), Shoulder frame (D), Bracing the lower leg (C) to Long leg (A) use Bolt (G) and tighten with allen key (K).

And finally use Screw (F) and tighten with allen key (K). Complete product.