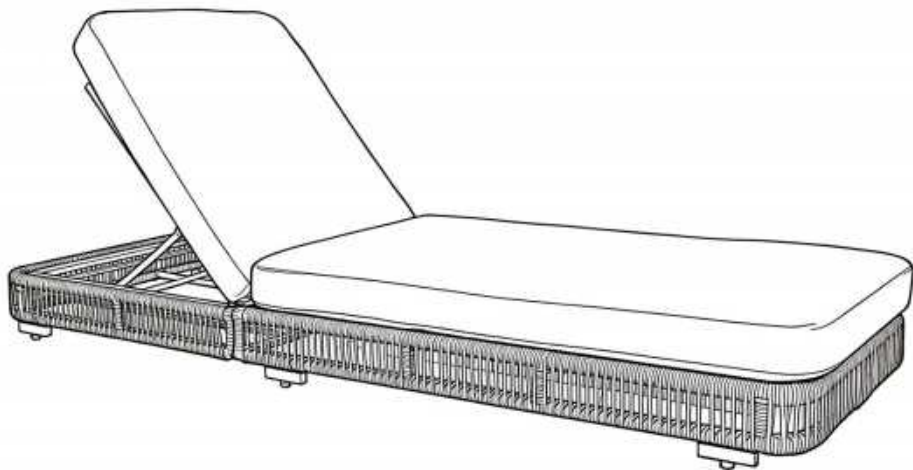


Owner Manual



WARRANTY

We strive to offer high quality product and we also try our best to satisfy each customer that order from us, no matter on products or services as needed. Each customer receives a record of their order, such as the order number or item receipt. For any items that are out of warranty period, you may still be able to purchase the replacement parts from our company if they are available.



MAINTENANCE AND WARNING

Please read the manual thoroughly
before you start installing.

Please keep the product away from
sharp object.

Packaging and small parts may have
chocking hazard, please keep them away
from children and pets.

Please clean the product according to each
clean code, check the product description
for more information.

Please keep the product away from
fire.

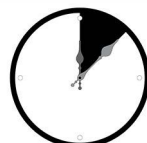
If you have any other questions, please
contact us, we will be glad to help you out.

If the product is placed under direct
sunlight, the pattern or color might fade
away overtime.

Check the product periodically to make
sure everything is secured and tightened.

Always use proper tools for installation.

Do not jump on the product.



PRODUCT DESCRIPTION

Simple outdoor adjustable lounge chair. Features sleek, modern lines and distinct woven texture for a natural, relaxed look.

Easily blends into outdoor settings like balconies, patios, or gardens.

Metal frame and woven rope. The main structure is a sturdy metal frame with strong load-bearing capacity and stability.

The surface is wrapped with durable, breathable woven rope, offering a ventilated and resilient structure ideal for long-term outdoor use.

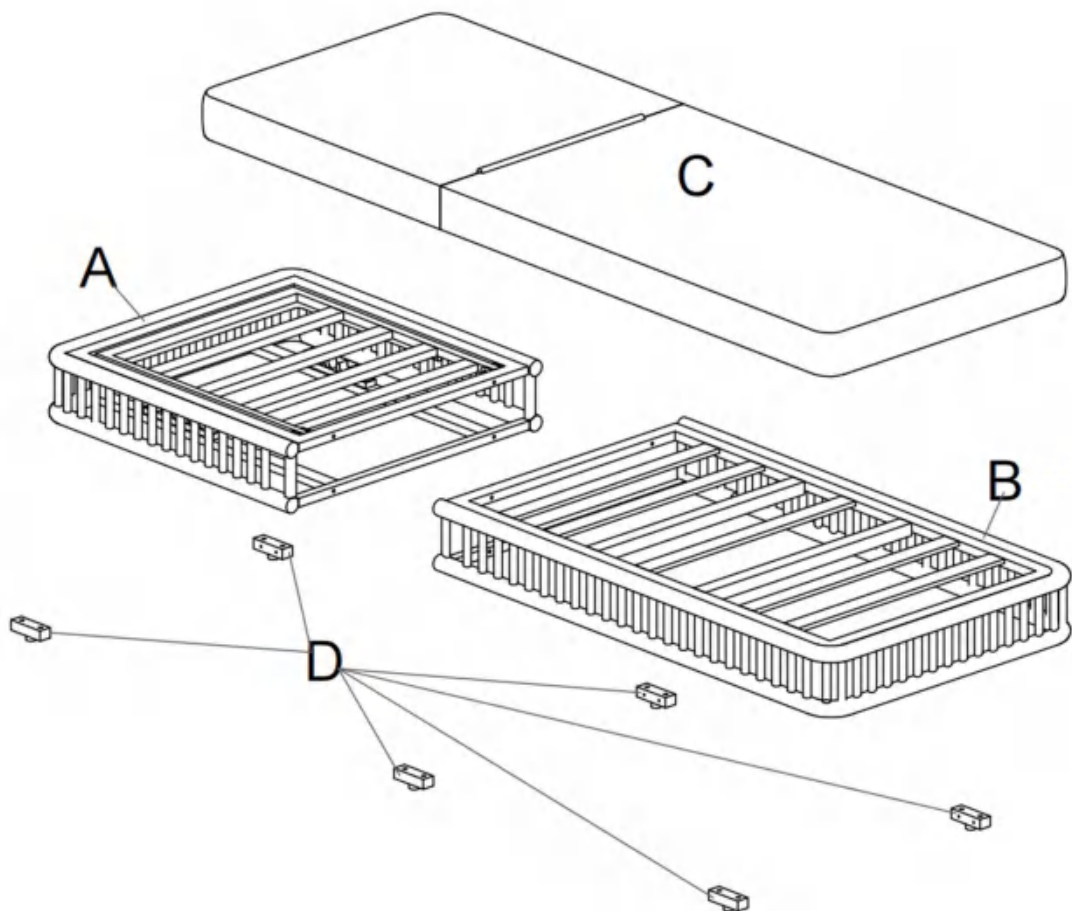
Ergonomically designed thickened cushion: The thickened design effectively disperses

fering cloud-like support.

High-density foam filling. The seat and back cushions are plump and substantial, offering a soft sinking sensation with firm support. Ensures comfort for extended lounging and resists sagging.

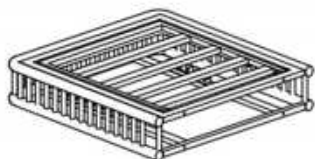
Water-repellent cotton-blend fabric. Offers splash resistance, easy cleaning, and quick-drying properties. Handles outdoor dew or accidental rain splashes with ease. Simple to maintain with a damp cloth.

EXPLODED VIEW



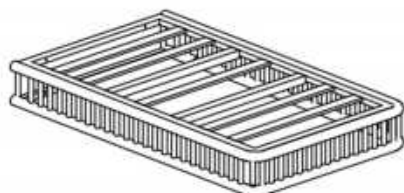
PARTS

A*1



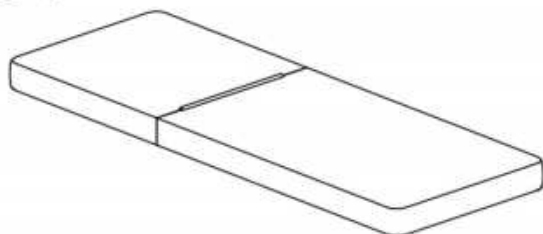
Back frame

B*1



Seat frame

C*1



Seat&Back cushion

D*6



Legs

HARDWARE

TOOL LIST

NOTE: Designated with (★) We provide additional spare parts in the hardware package

①*12



★ Bolt
M6*25mm

②*4



★ Bolt
M6*35mm

③*4



★ Flat washer

④*1



Allen key

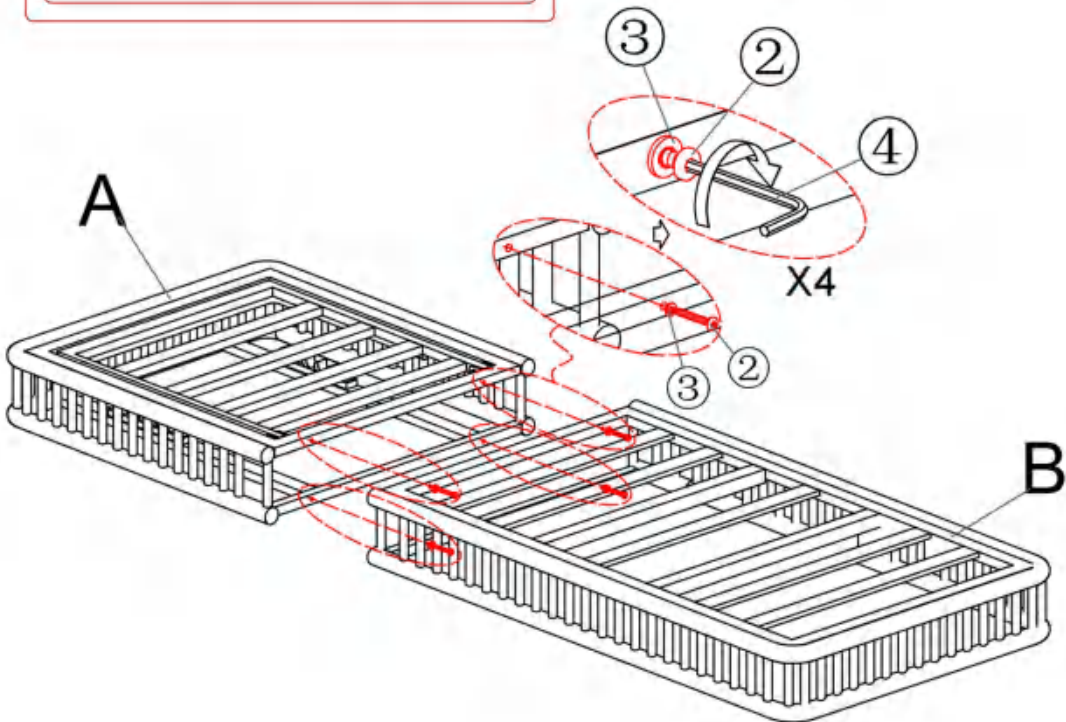
Please make sure all hardware&packing material fitting the list. Especially some small accessories may be missing during transportation. Please contact us if you have any question.

step 1 ---Connect Seat Frame with Back Frame

Place the Seat Frame (B) and the Back Frame (A) together as shown, use the allen key (4) provided to fix the bolts (2) and washers (3) in order to connect both Parts together.



First add one flat washer on each bolt as shown, use the allen wrench provided to tighten all the bolts by 30-50% first, make sure that all bolts are aligned correctly before fully tightening.



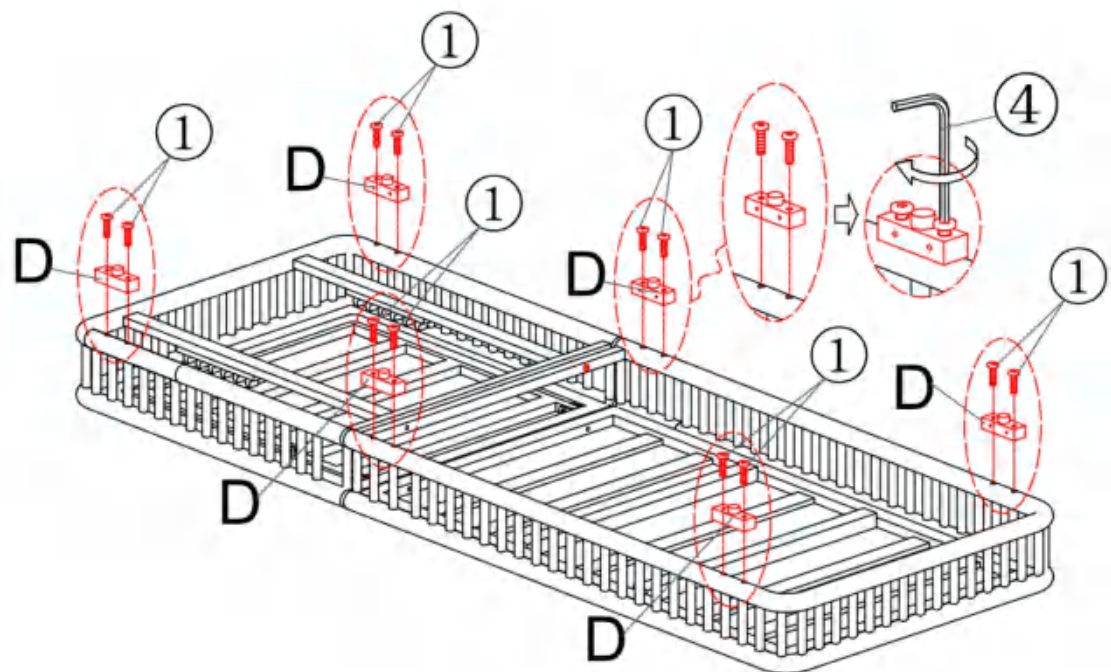
step 2 ---Install the legs

Use the bolt (1) to connect legs (D) to base frame , tighten it with allen key (4)



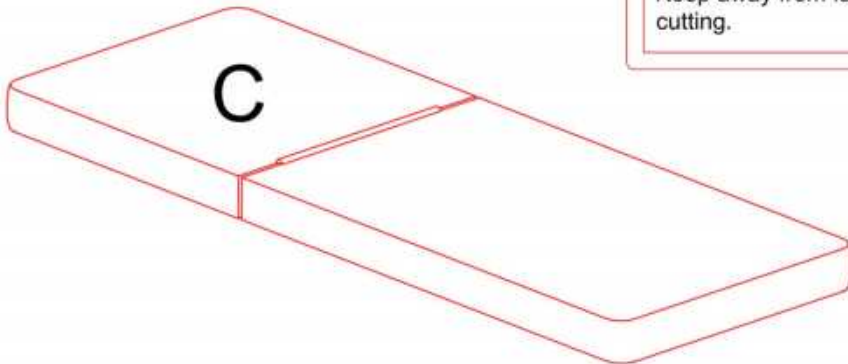
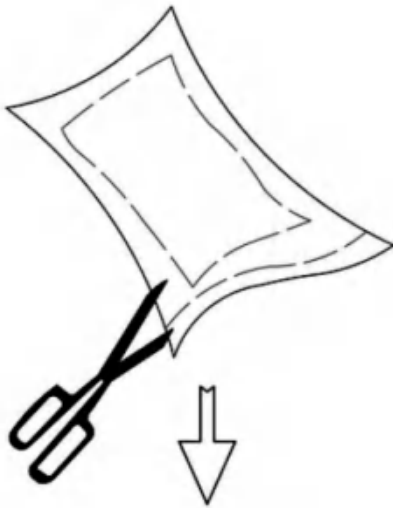
Notice:

We suggest tightening the bolts for 30-50% first, make sure the process is correct and bolt holes are aligned, then fully tightening them all.



step 3 ---Cut the plastic air compression bags

Cut the plastic air compression bags, and take out the cushion (C). Let it recover to its original shape, the whole recovery process might take **48** hours, you may gently slap on it to speed up the process.



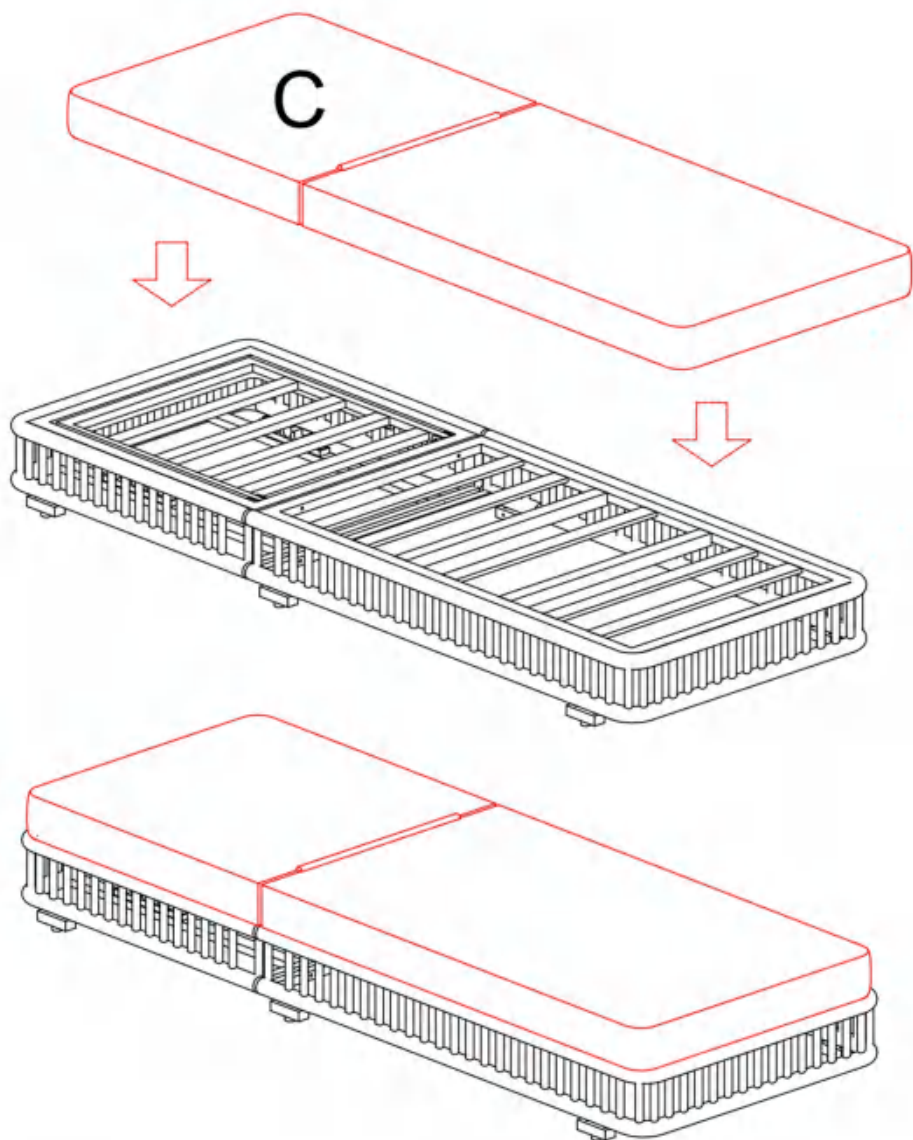
Please exercise caution when opening the packaging to avoid injury or damage to the product.



Use care when opening the bag to avoid injury from sudden expansion. Keep away from face and body while cutting.

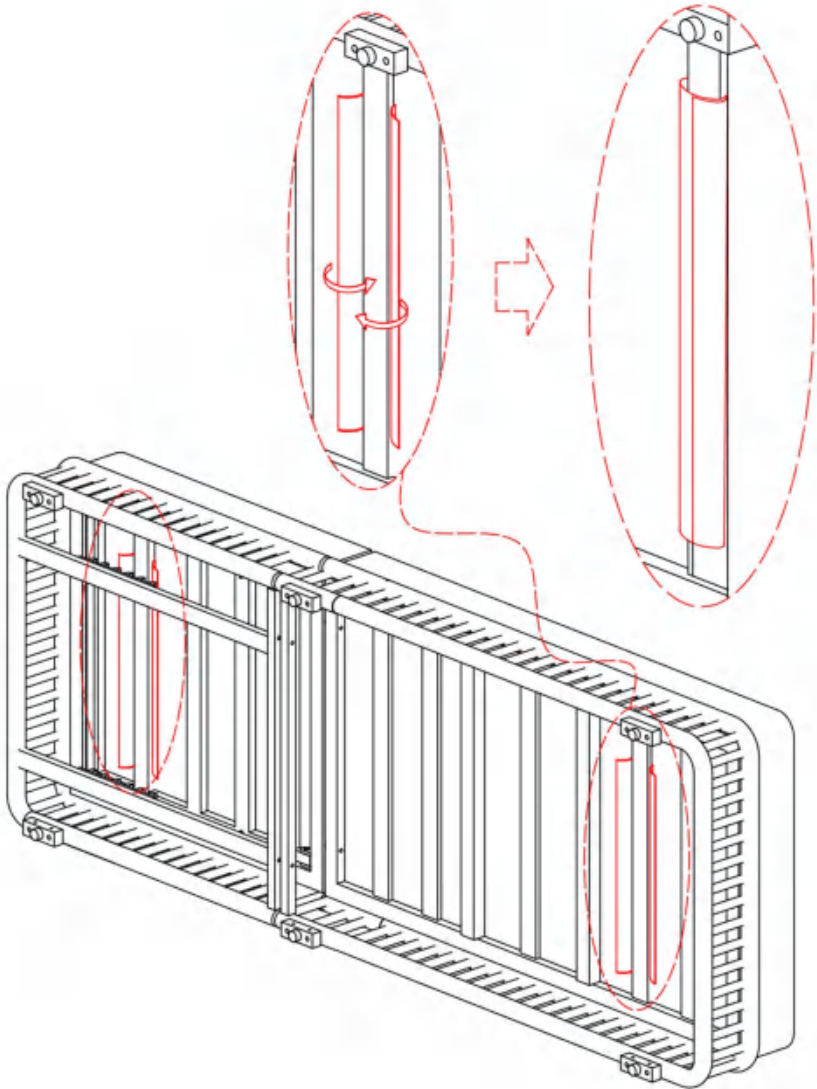
step 4 ---Place the Seat&Back cushion

Place the Seat&Back Cushion (C) on it as shown



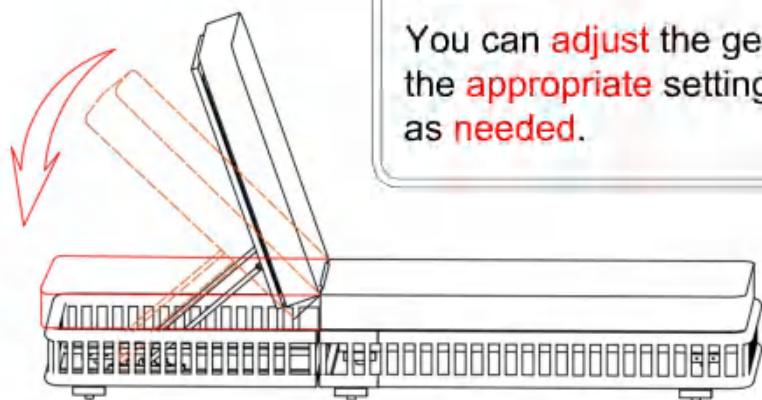
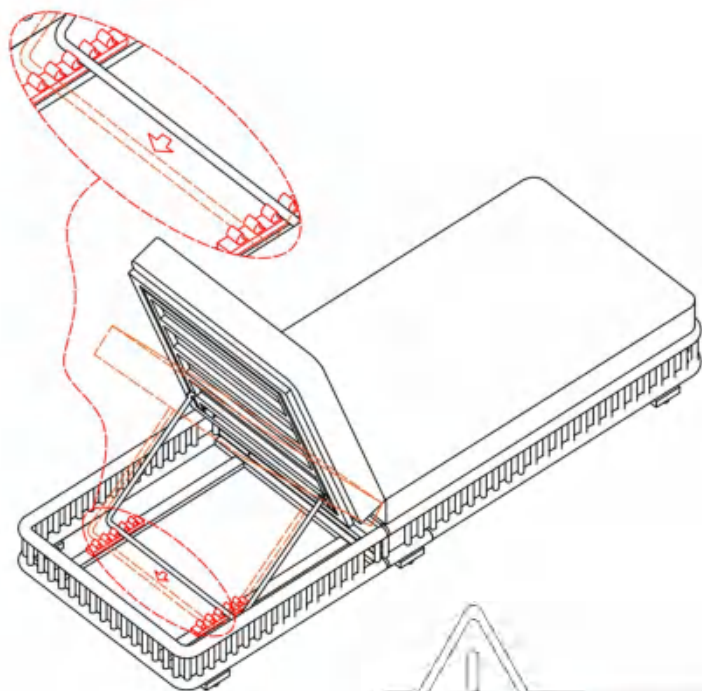
step 5 ---Secure the Velcro strips on the cushions to the frames

Secure the Velcro strips on the cushions to the frames as illustrated, ensuring proper alignment and a firm, stable attachment.



step 6 ---Adjust the backrest

The Back of the Chaise has 6-level adjustment.




You can **adjust** the gear to
the **appropriate** setting
as **needed**.

step 7 ---Assemble complete

Congradulations! You have finished the assembly, thank you again for choosing our product! Please enjoy!

