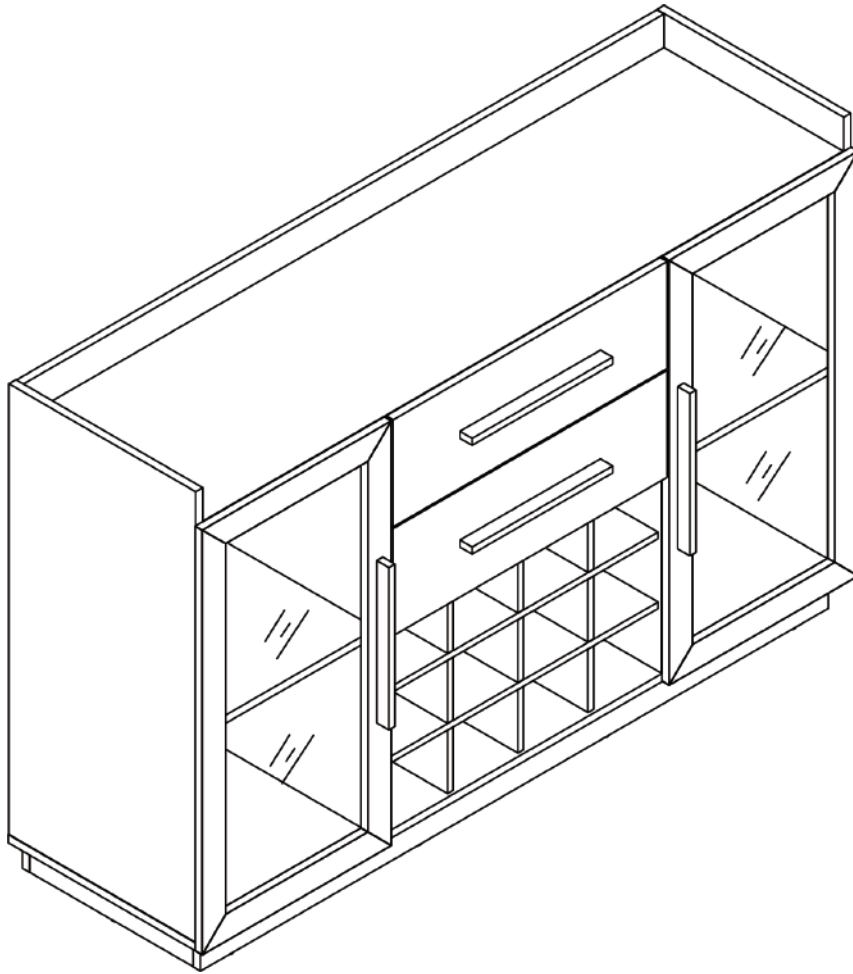


# Wine Cabinet



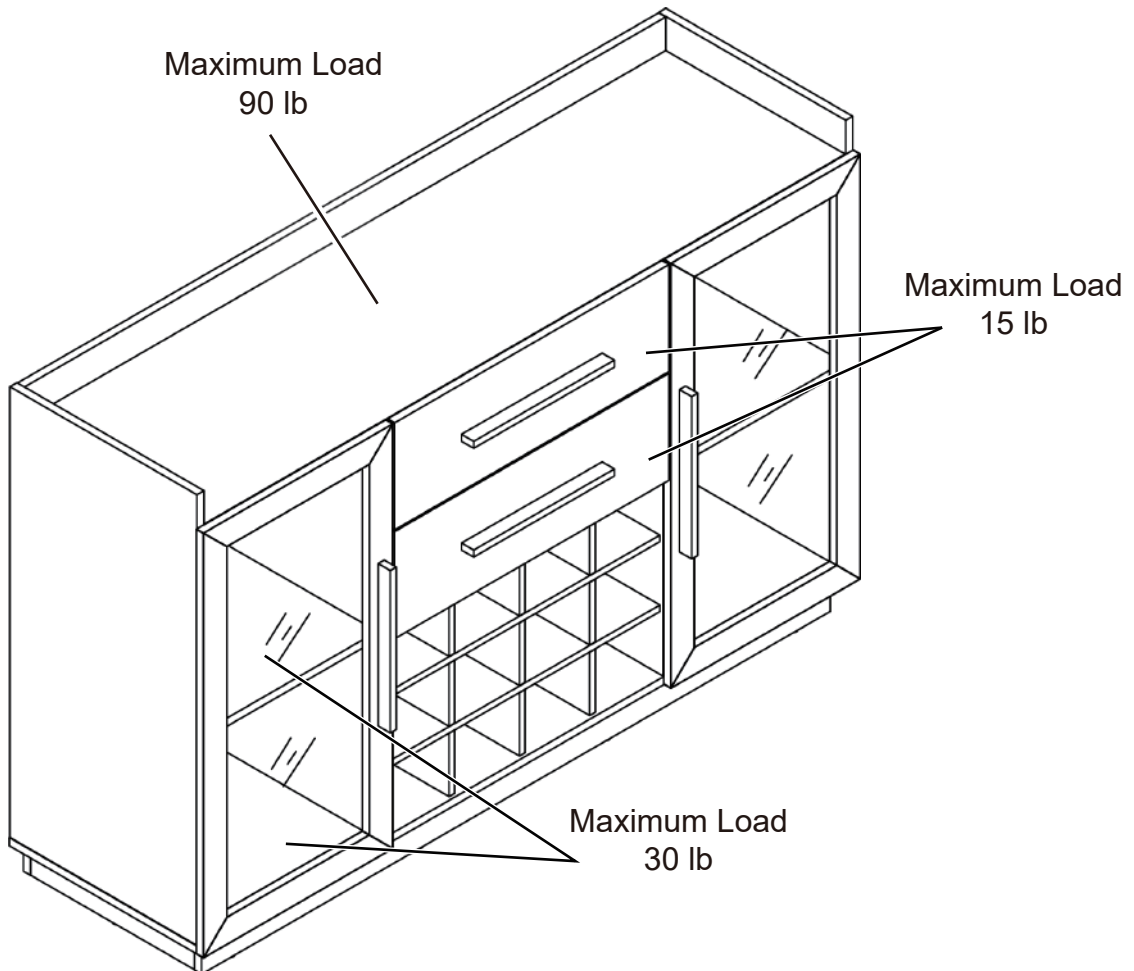


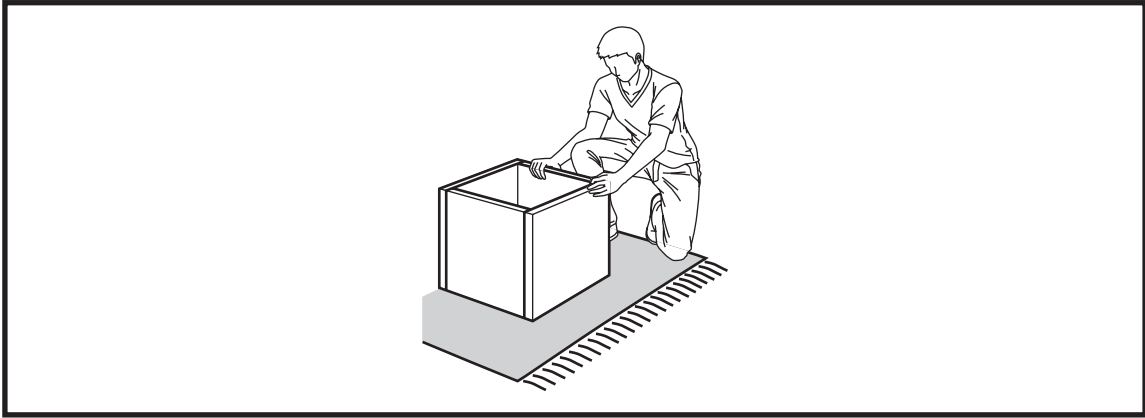
Estimated time for assembly:

**90 mins**



Weight limitations are as follows:

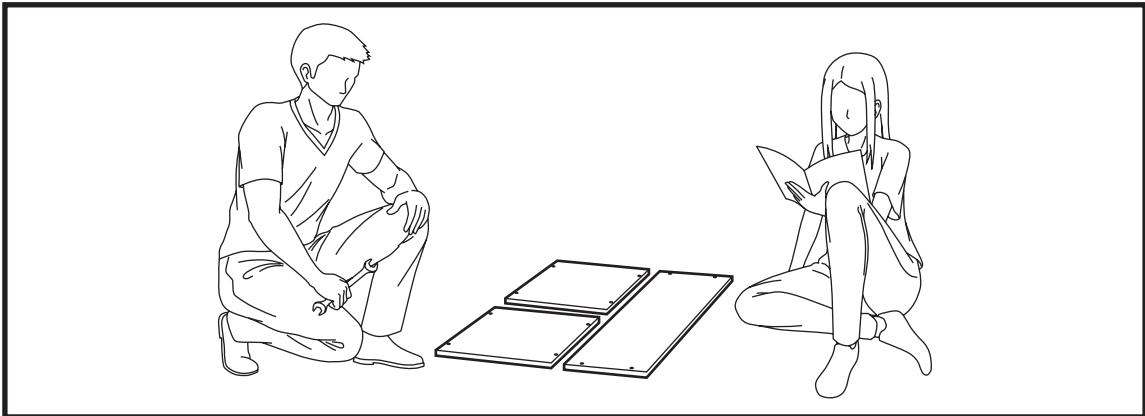




Assemble the furniture on an empty carton, carpet, or rug to prevent scratches or damage.

For safety, please keep pets and children away from the assembly area.

Ensure the product is fully assembled before use. If you are missing any hardware or products, do not use it until you have restored the missing parts.



This furniture requires 2 people for assembly.

Read this instruction manual prior to assembly to familiarize yourself with the various steps.

Lay out all components and hardware separately on a flat surface and make sure that no parts are missing or damaged before assembly. Do not destroy or discard any packaging until you are certain that you have all the necessary parts for assembly.

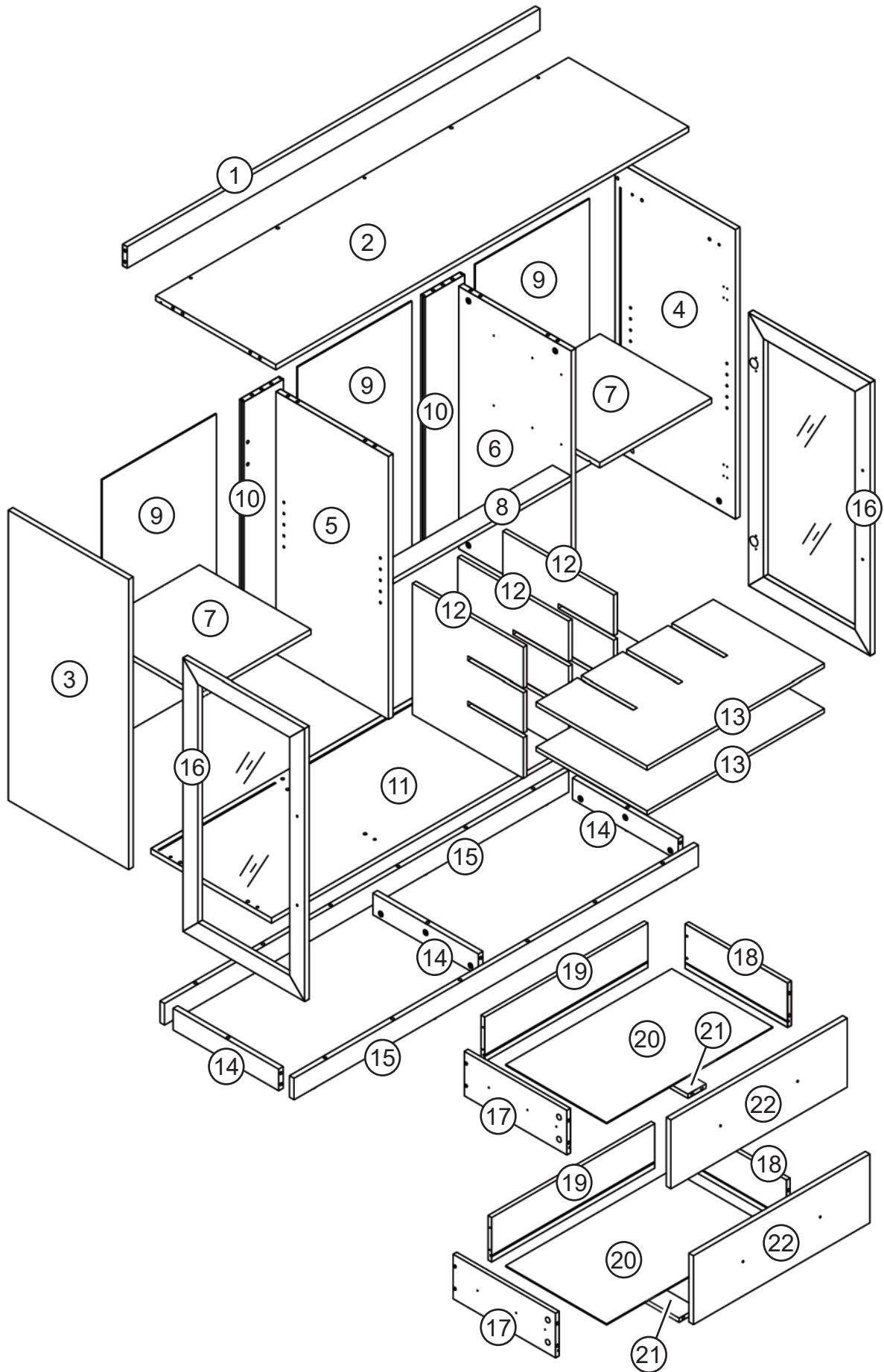
Hand tight all hardware and careful not to over tighten to avoid damaging the product.

## **CAUTION**

There are small components used in the construction of this product. Loose items should be kept away from pets and children to avoid a choking hazard.

Keep all plastic bags and packaging film away from pets and children to avoid suffocation.

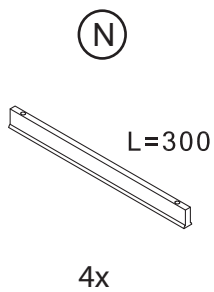
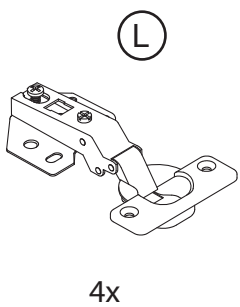
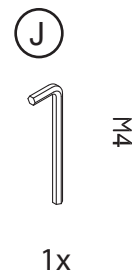
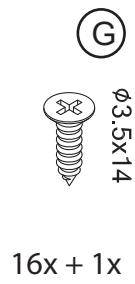
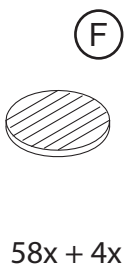
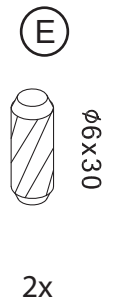
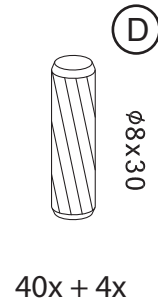
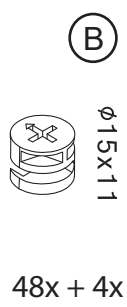
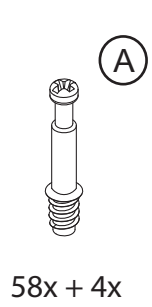
# PACKAGE CONTENTS



# PACKAGE CONTENTS

CODE	DESCRIPTION	QTY
1	Backsplash Panel	1
2	Top Panel	1
3	Left Lateral Panel	1
4	Right Lateral Panel	1
5	Left Medial Panel	1
6	Right Medial Panel	1
7	Storage Panel	2
8	Crossbar	1
9	Back Panel	3
10	Back Support	2
11	Bottom Panel	1
12	Vertical Wine Rack Panel	3
13	Horizontal Wine Rack Panel	2
14	Short Base Strip	3
15	Long Base Strip	2
16	Cabinet Door	2
17	Drawer Left Panel	2
18	Drawer Right Panel	2
19	Drawer Back Panel	2
20	Drawer Bottom Panel	2
21	Drawer Support Strip	2
22	Drawer Front Panel	2

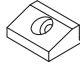
# PACKAGE CONTENTS



Install all hardware perpendicular to the opening.

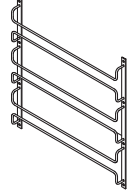
# PACKAGE CONTENTS


Q  
  
φ3.5x12  
24x+2x

R  
  
16x16\*10.5  
18x+1x

S  
  
φ3x17  
18x+1x

T  
  
φ4x30  
12x+1x


U  
  
355x342x26  
2x

V  
  
φ8.5x30  
2x

W  
  
φ4x18  
2x

X  
  
φ4x25  
2x

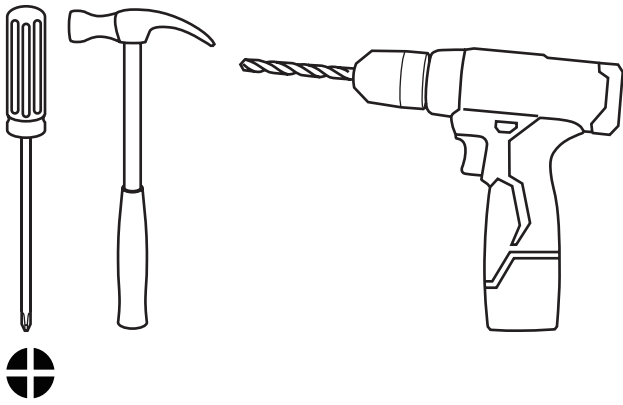
Y  
  
140x19  
2x

Z  
  
φ10x2  
2x



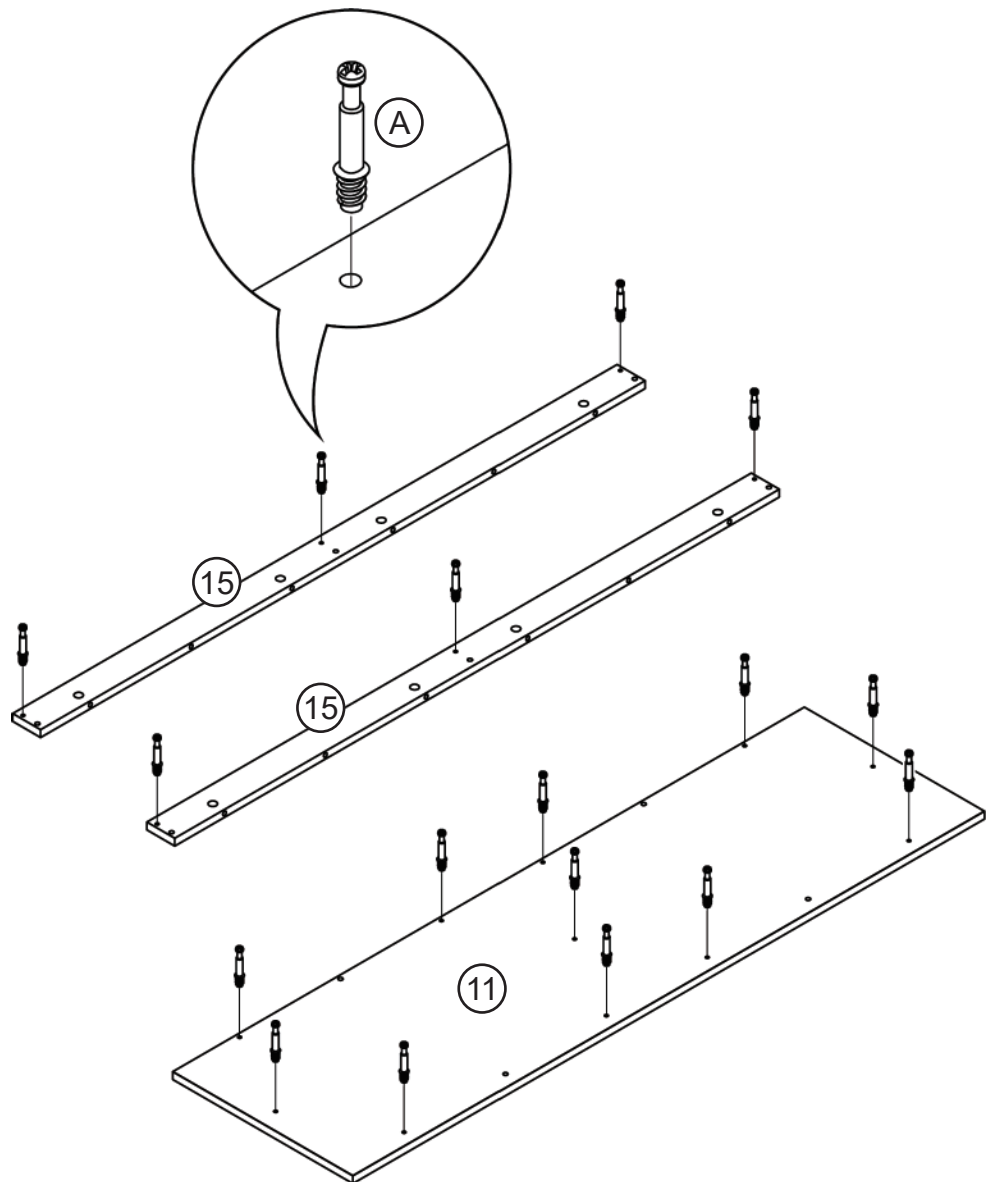
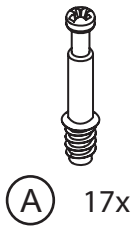
Install all hardware perpendicular to the opening.

Required tools for assembly (Not included)



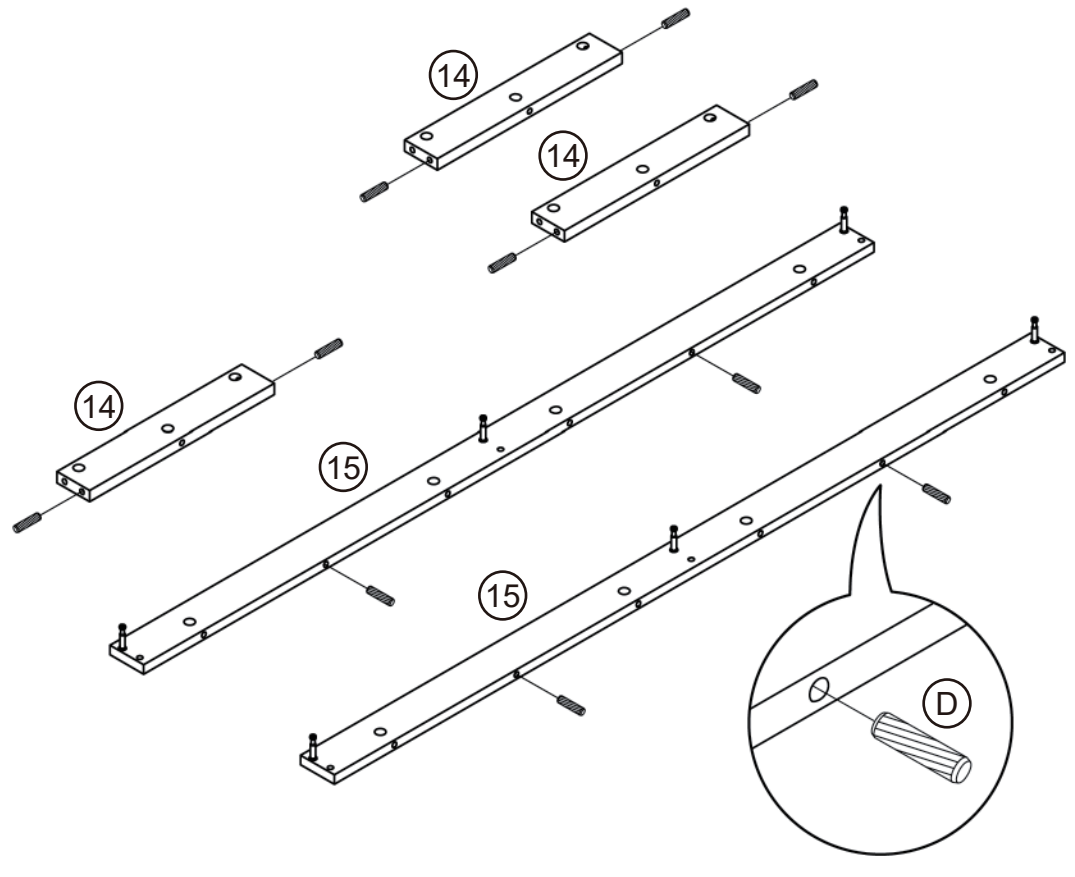
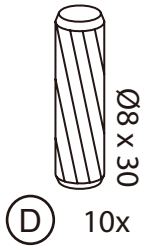
1

Attach cam bolts to the bottom panel (11) and the long base strips (15).



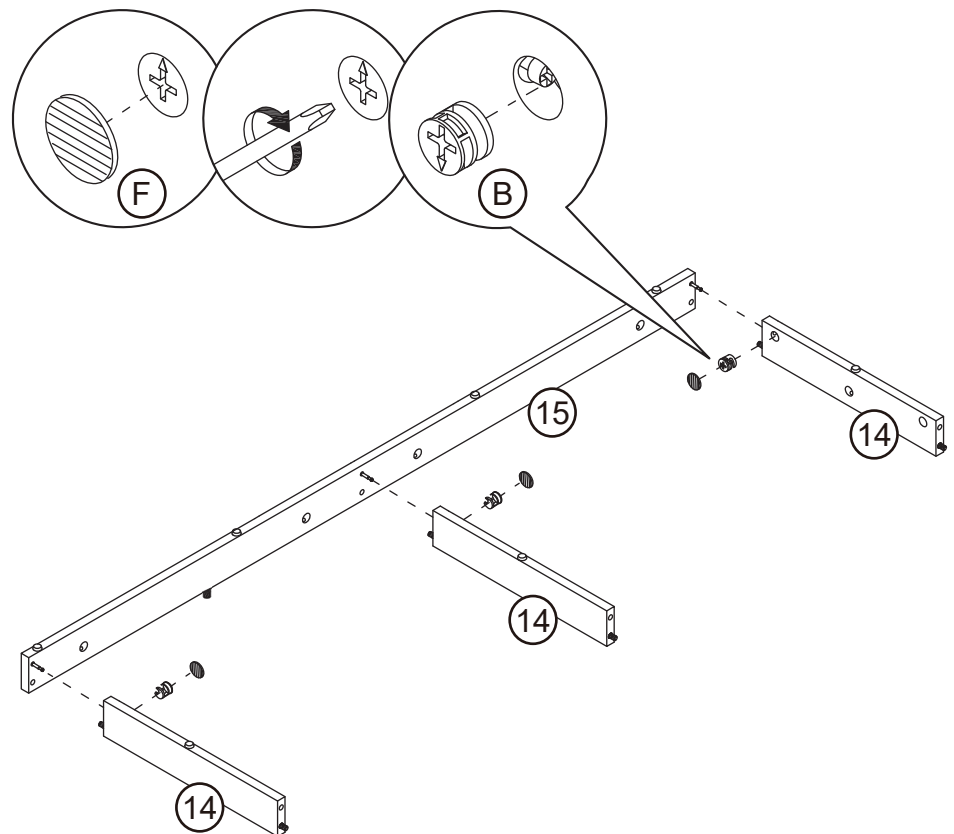
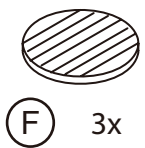
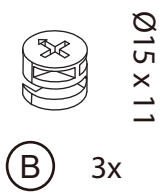
# 2

Insert wood dowels to the base strips (14, 15).

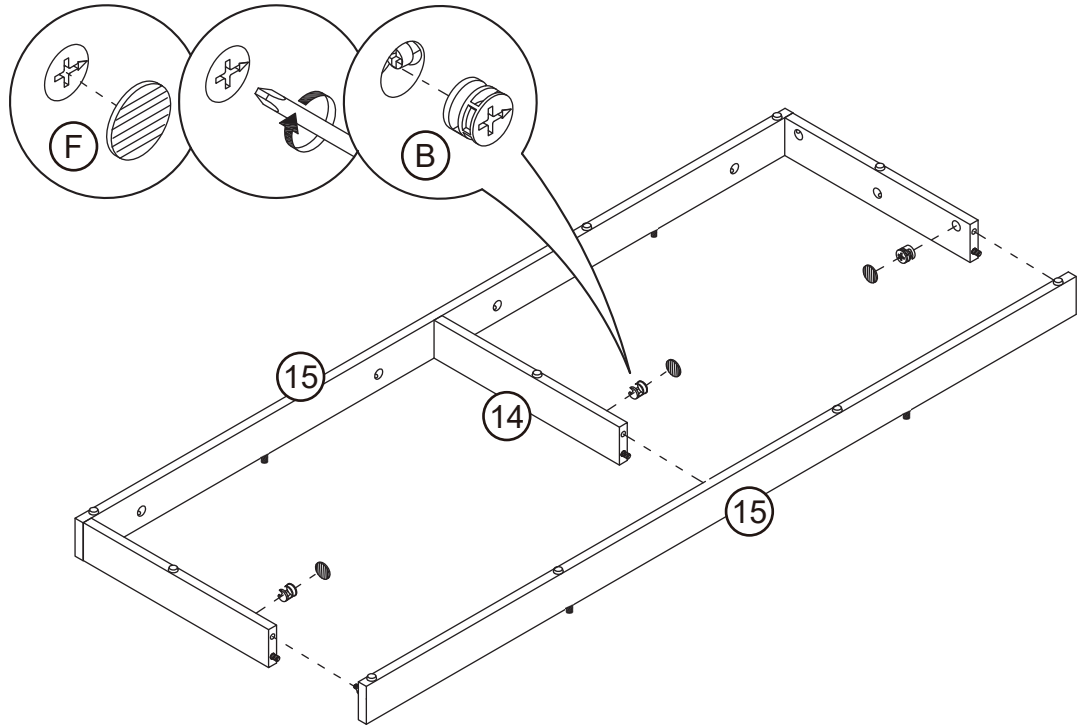
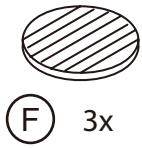
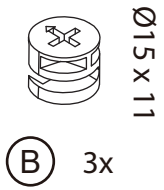


# 3

Assemble the short base strips (14) between the long base strips (15).

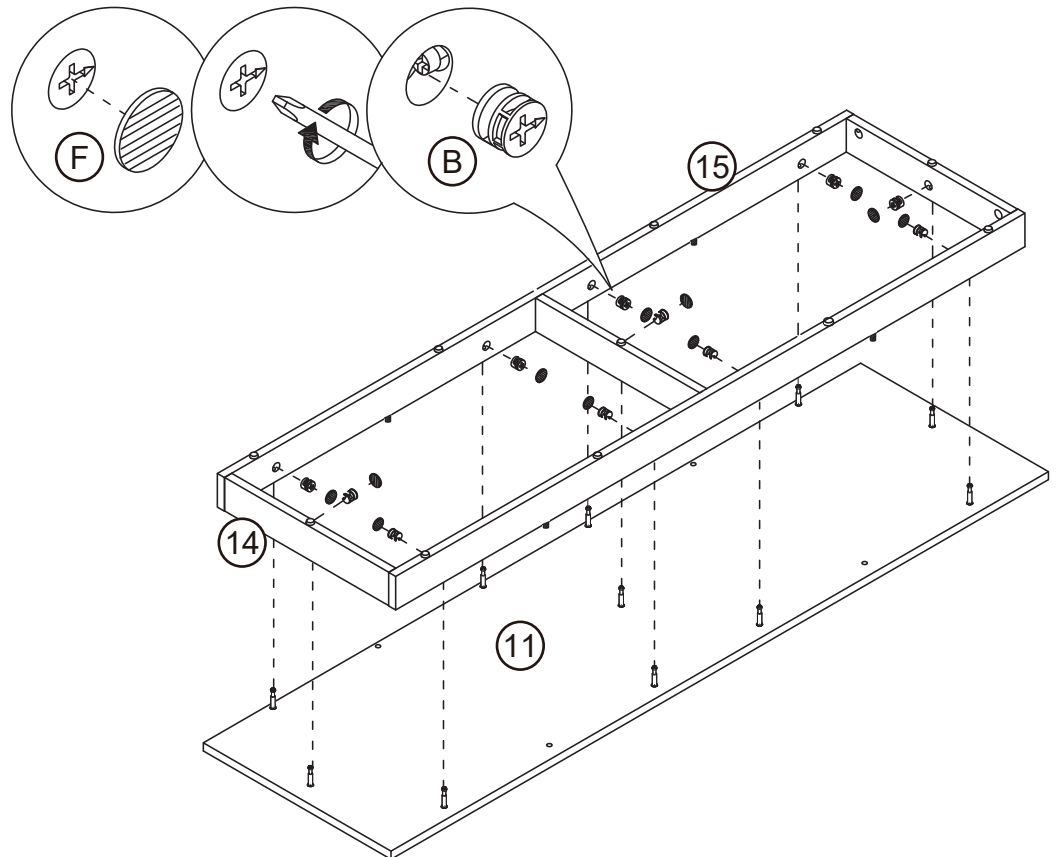
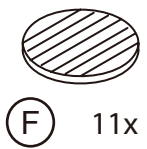
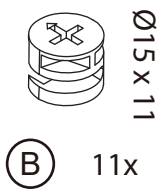


# 4



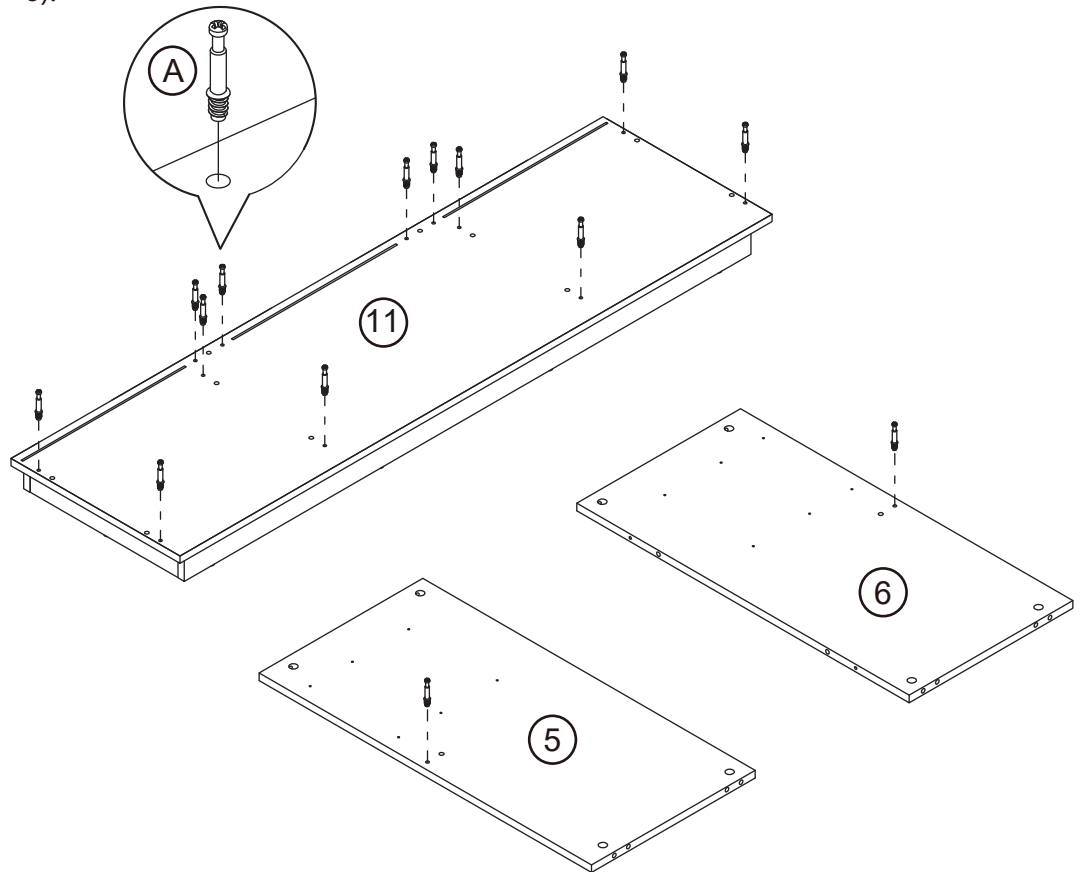
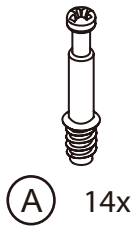
# 5

Assemble the base assembly to the bottom panel (11).



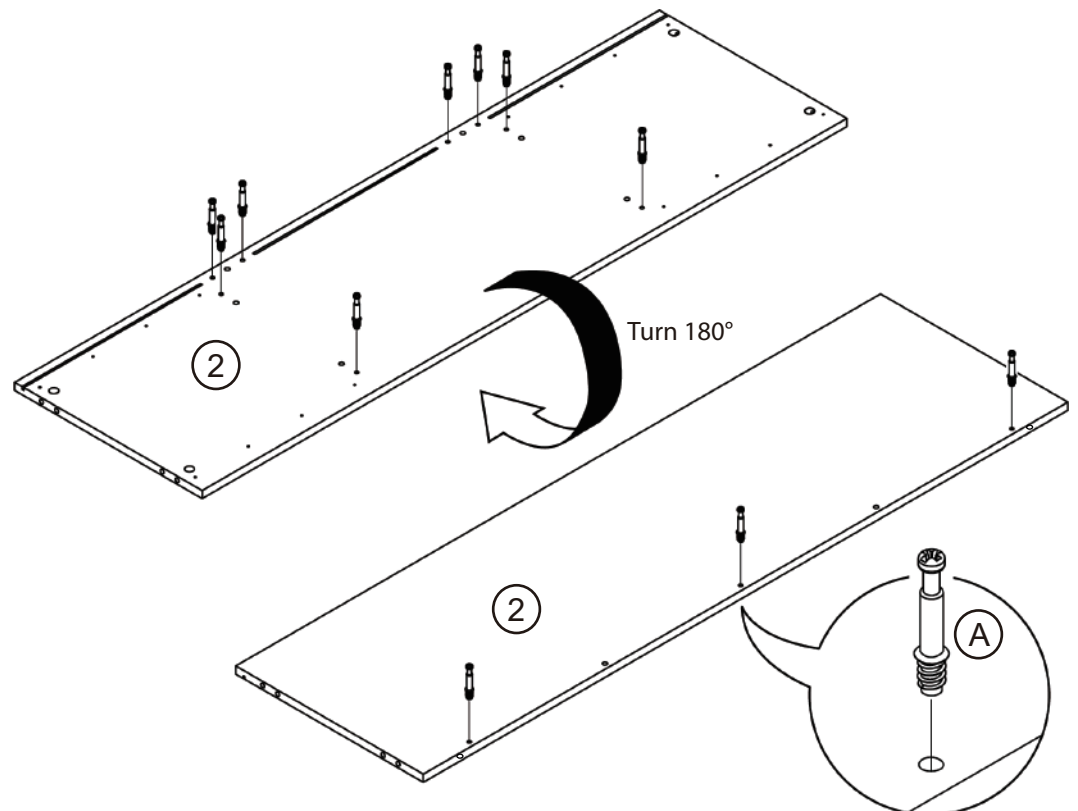
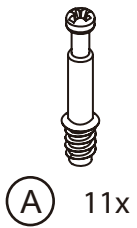
# 6

Attach cam bolts on top of the bottom panel (11) and to the medial panels (5, 6).



# 7

Attach cam bolts both sides of the top panel (2).

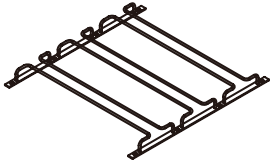


# 8

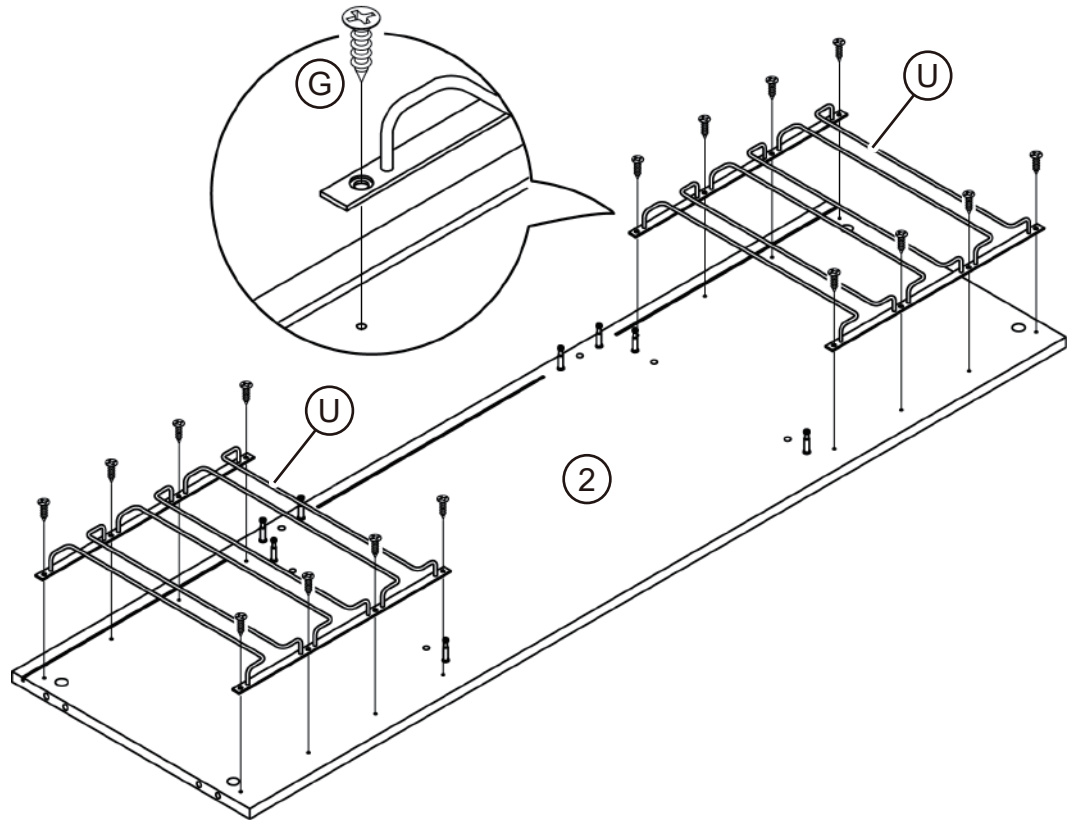
Attach wine glass holders to the top panel (2)



(G) 16x

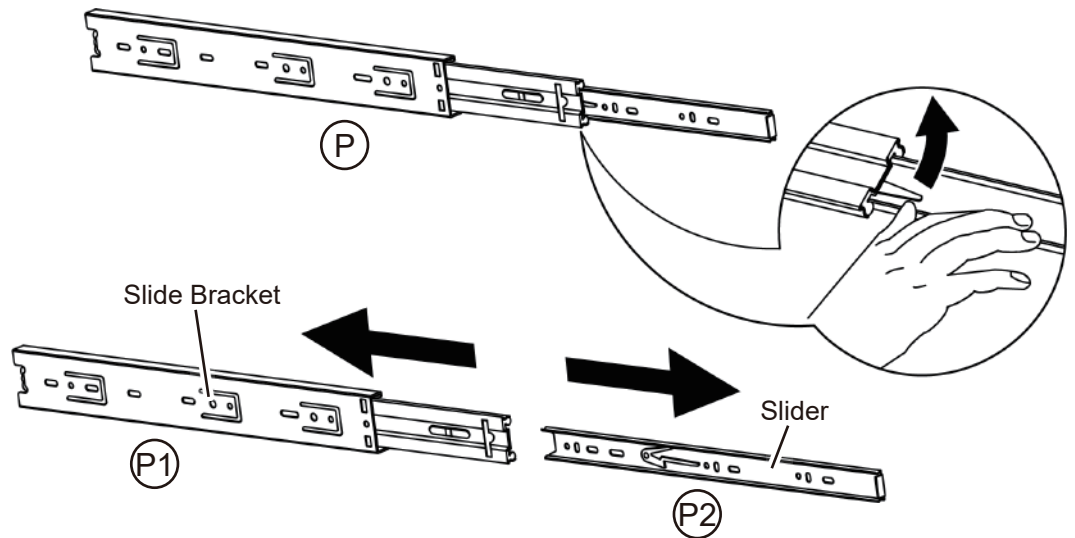


(U) 2x



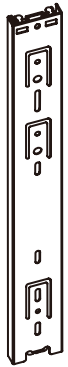
# 9

Detach sliders from slide brackets.



# 10

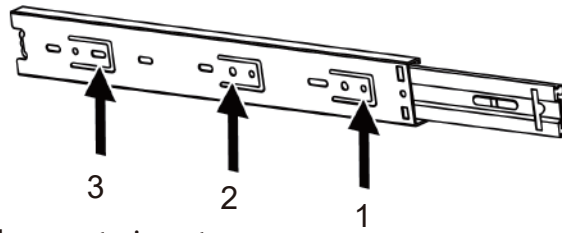
Attach slide brackets to the medial panels (5, 6).



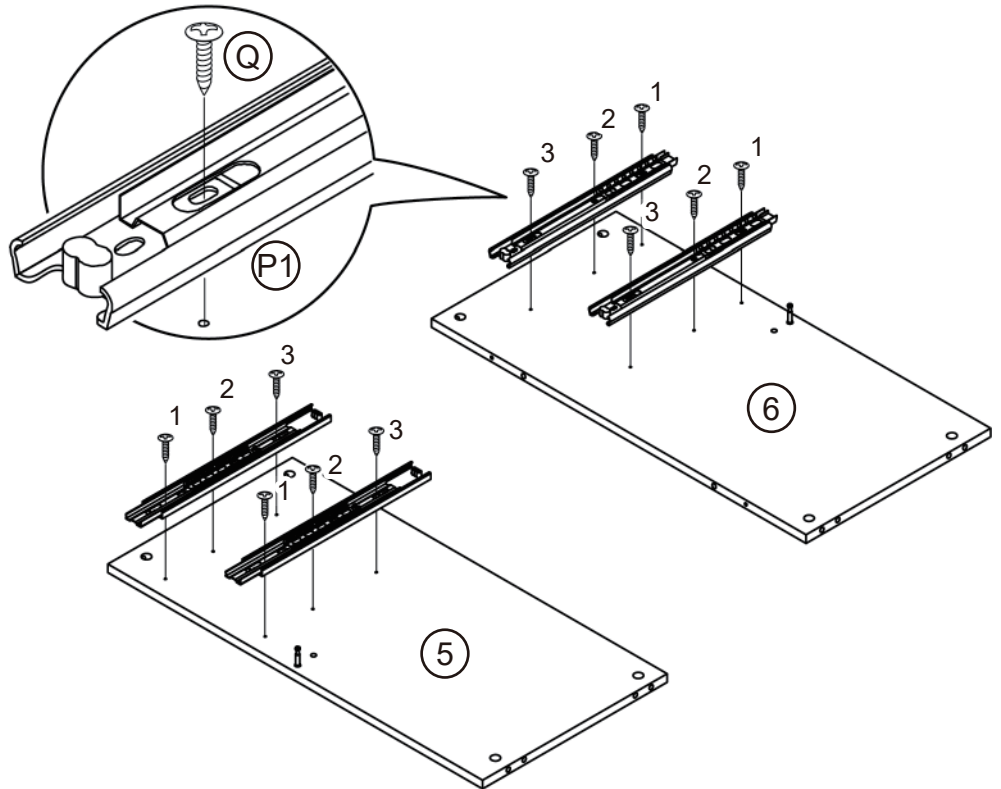
(P1) 4x



(Q) 12x  
Ø3.5 x 12

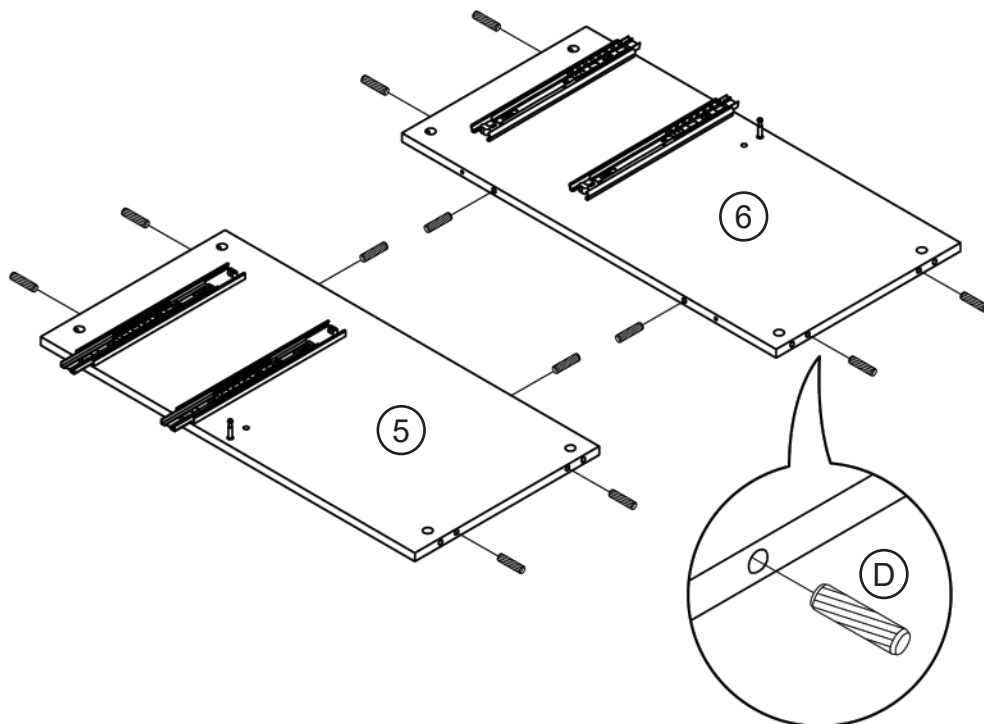
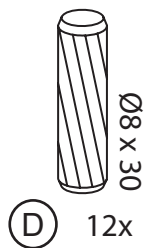


Make sure to insert screws in the correct opening.



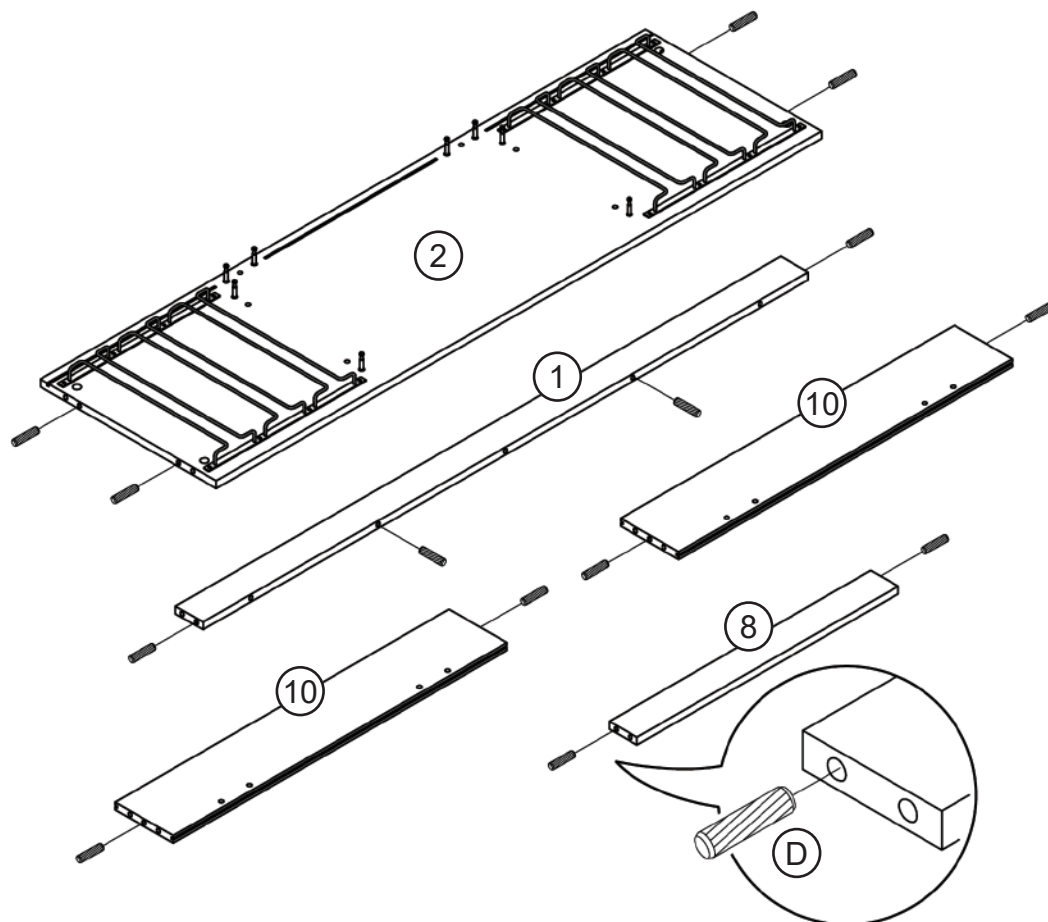
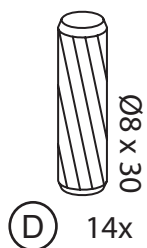
# 11

Insert wood dowels to the medial panels (5, 6).



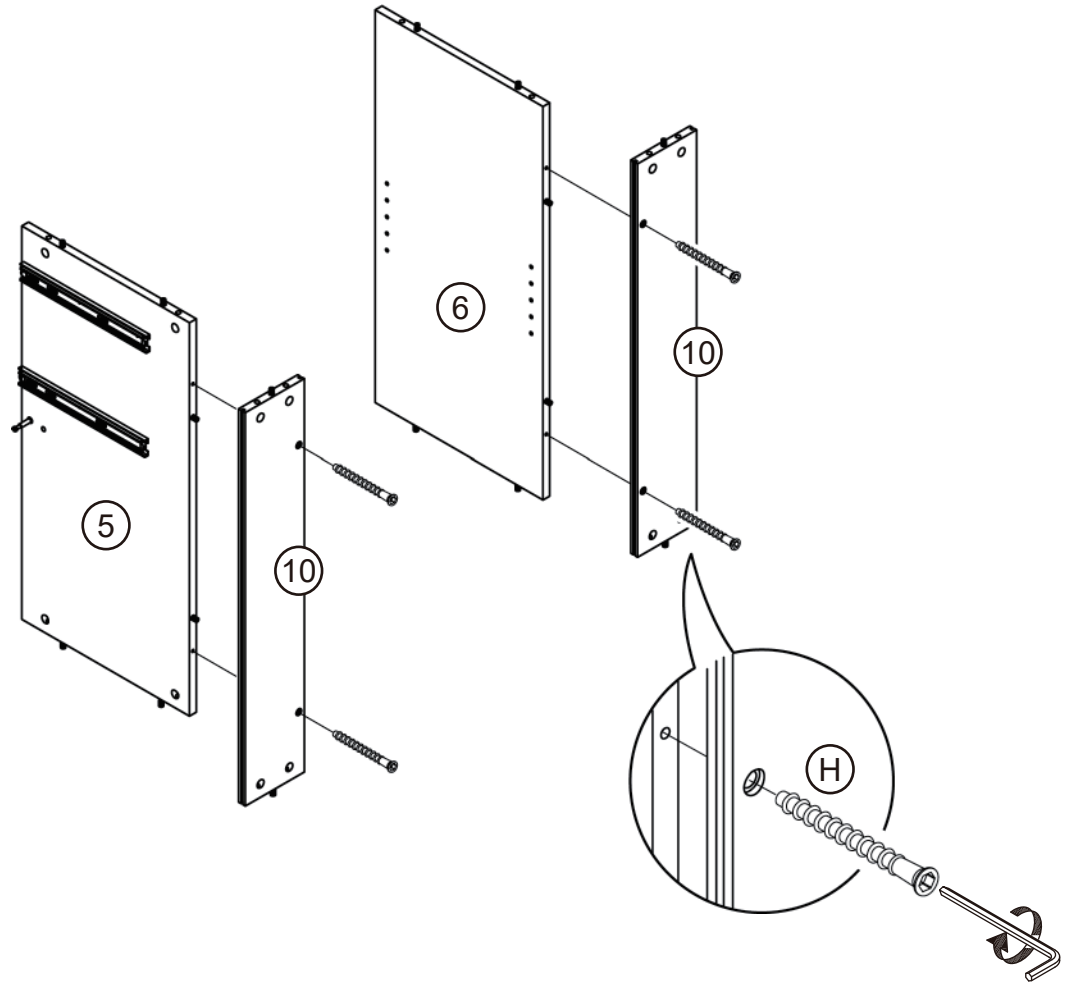
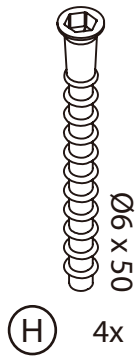
# 12

Insert wood dowels to the backslash panel (1), top panel (2), crossbar (8) and back supports (10).



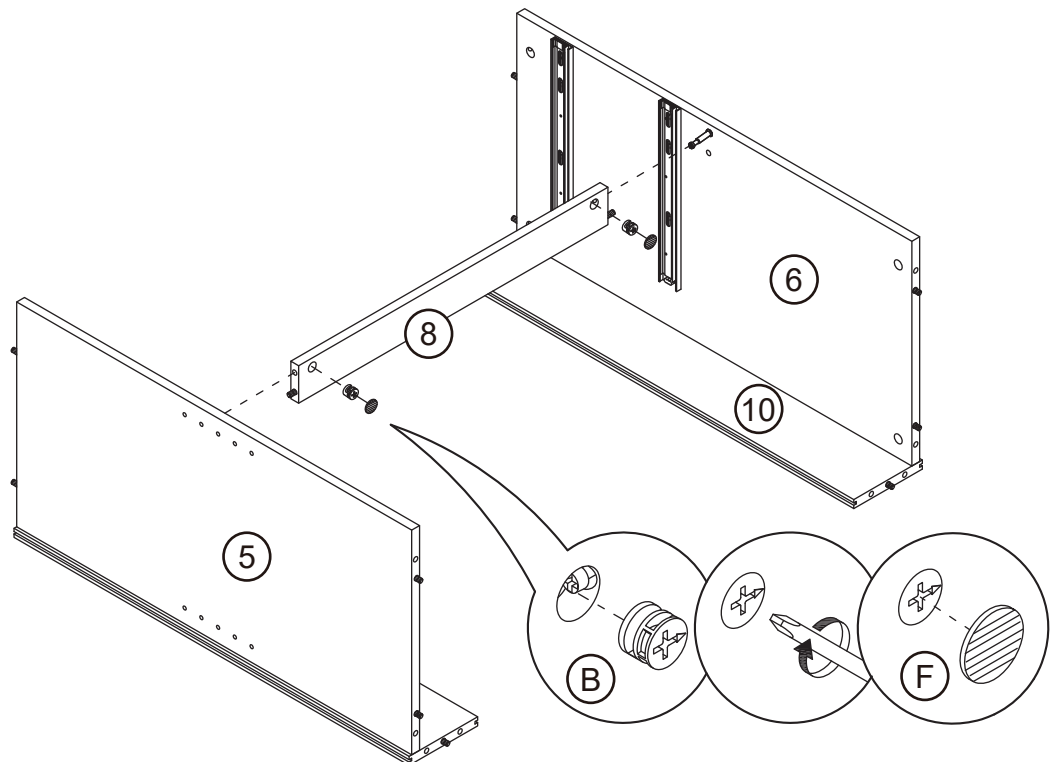
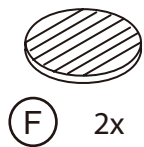
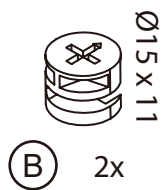
# 13

Assemble back supports (10) to the back of the medial panels (5, 6).



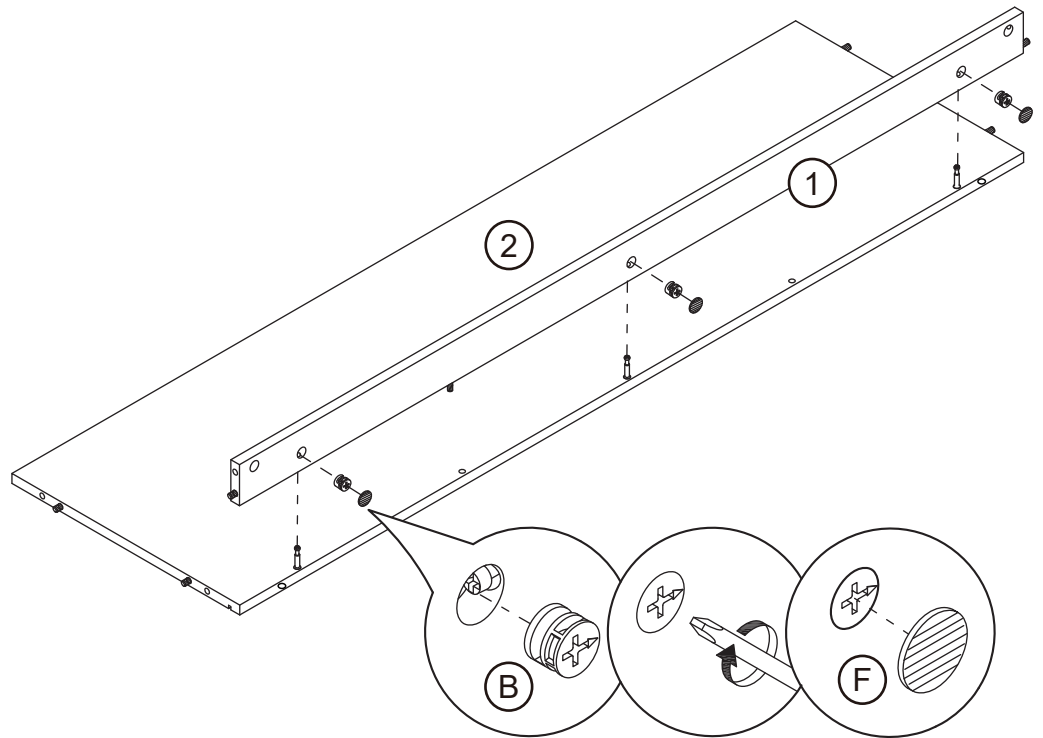
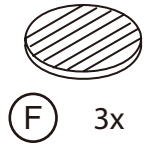
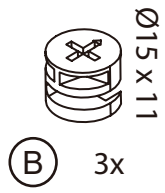
# 14

Assemble the crossbar (8) between the medial panels (5, 6).



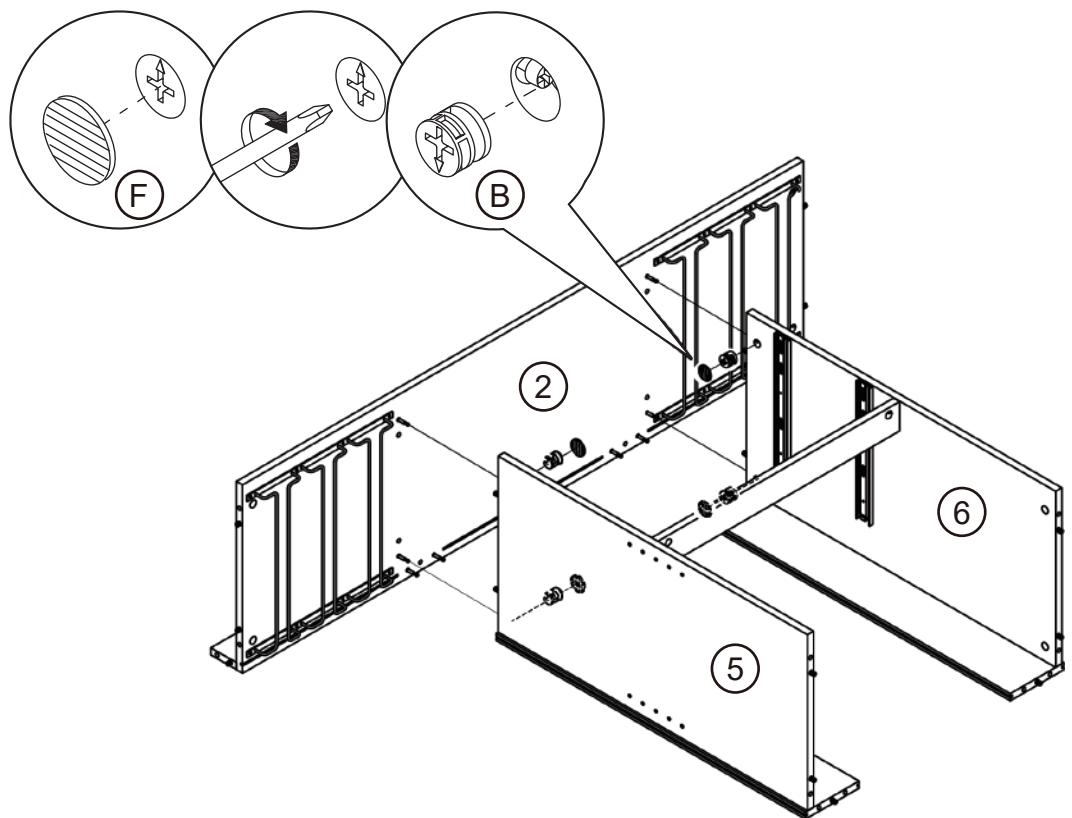
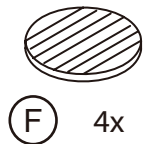
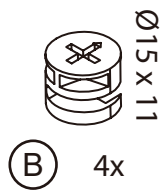
# 15

Attach the backslash panel (1) on top of the top panel (2).



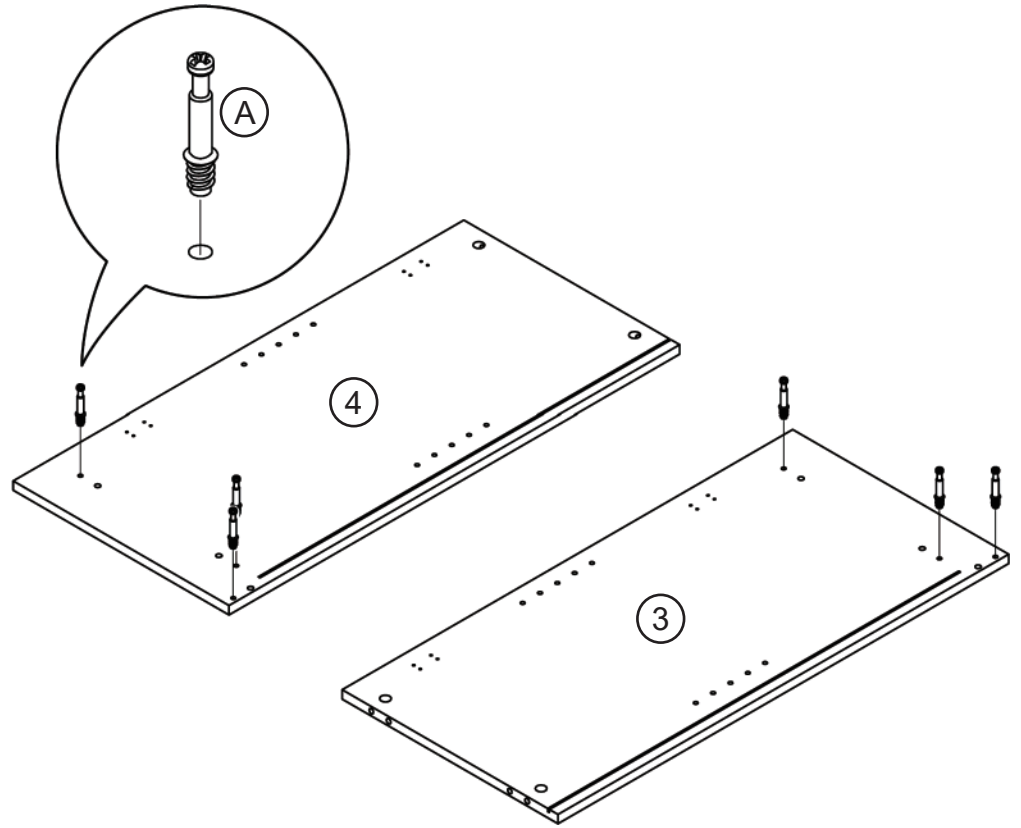
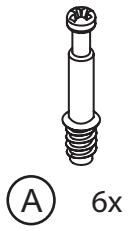
# 16

Assemble the medial panels (5, 6) underneath the top panel (2).



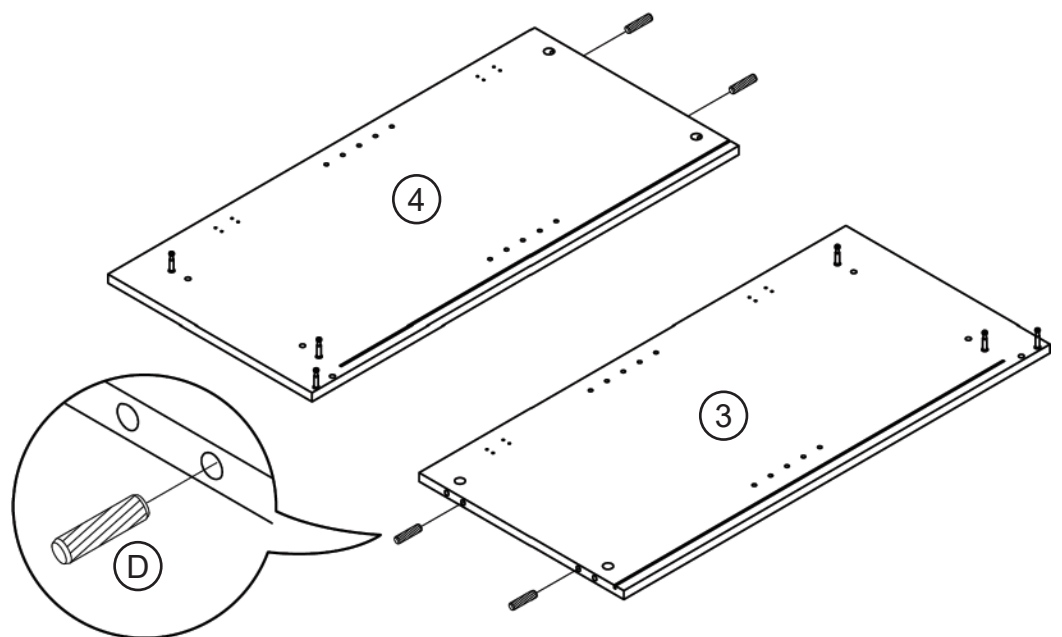
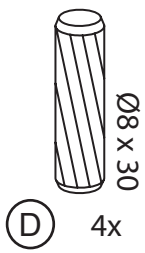
# 17

Attach cam bolts to the lateral panels (3, 4).



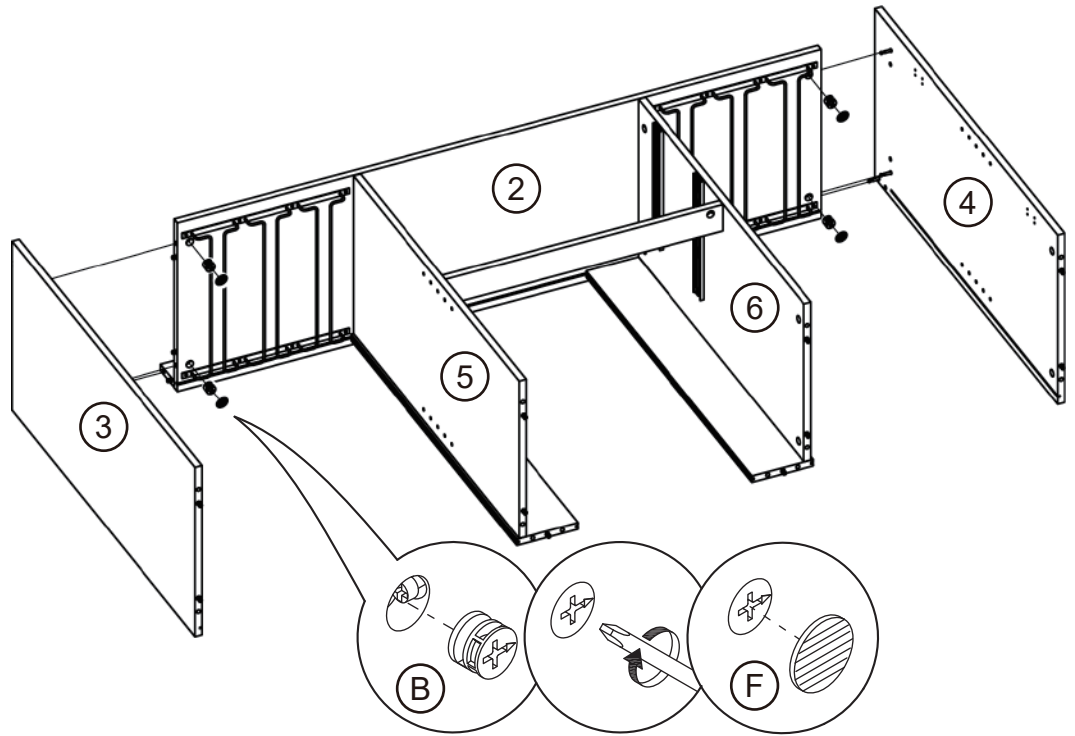
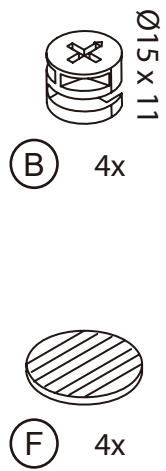
# 18

Insert wood dowels into the lateral panels (3, 4).



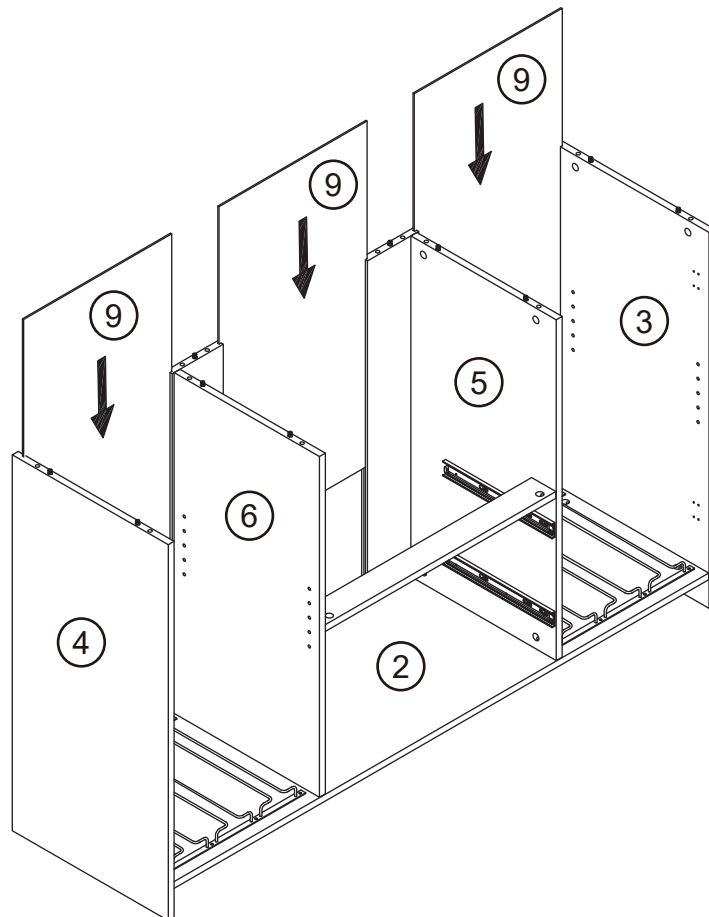
# 19

Assemble the lateral panels (3, 4) to the side of the top panel (2).





# 20

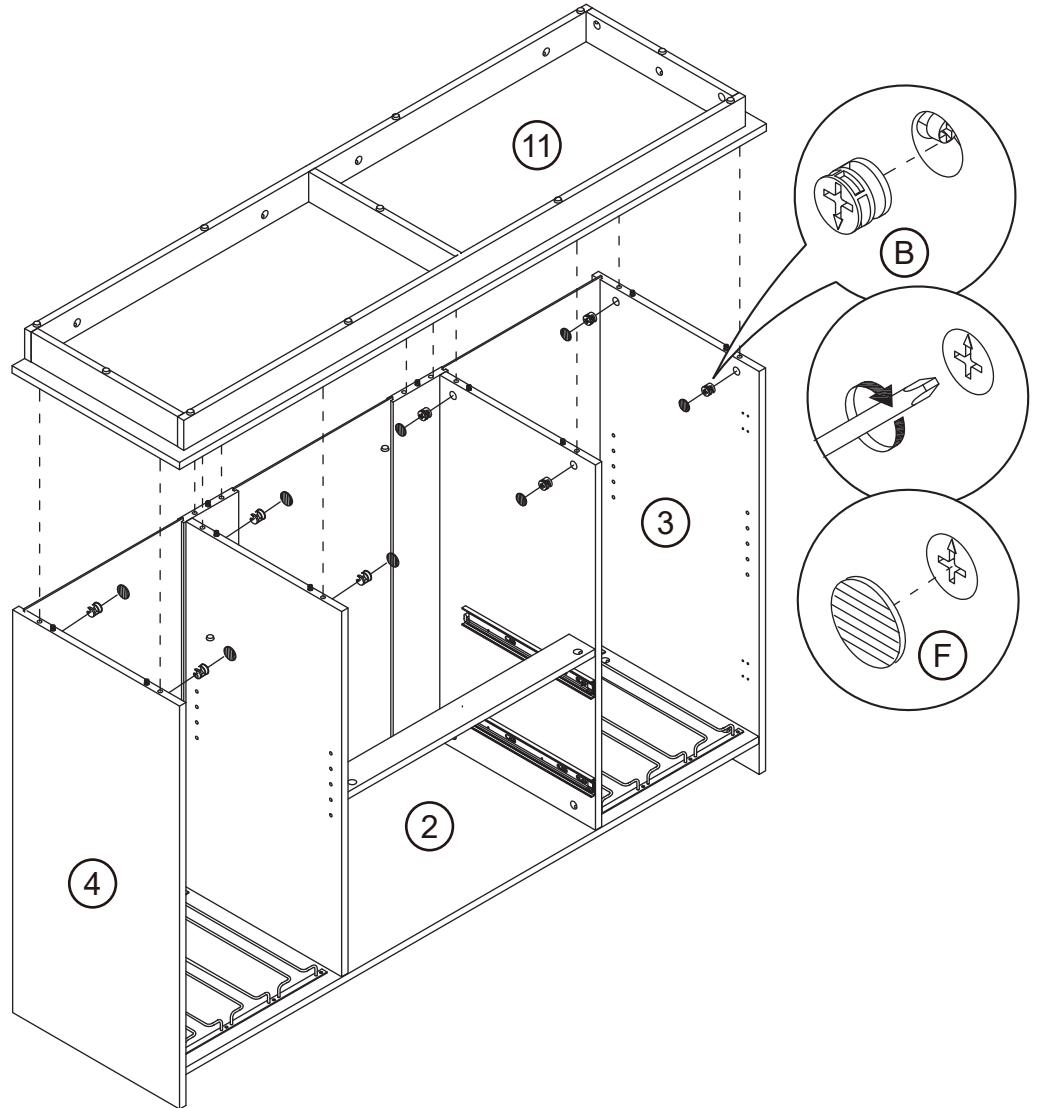
Slide back panels (9) to the back of the cabinet assembly.



# 21

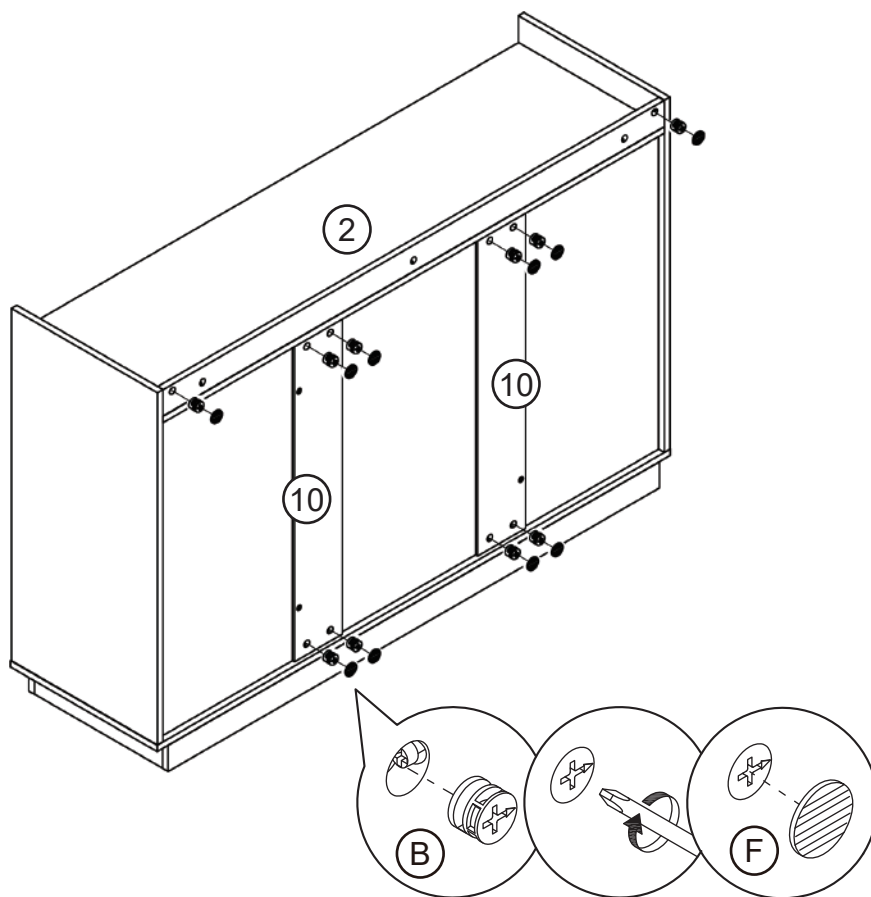
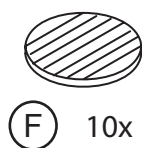
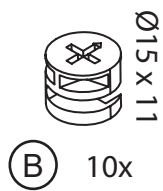
Assemble the bottom panel (11) to the cabinet assembly.

-  Ø15 x 11
- (B)** 8x
- 
- (F)** 8x



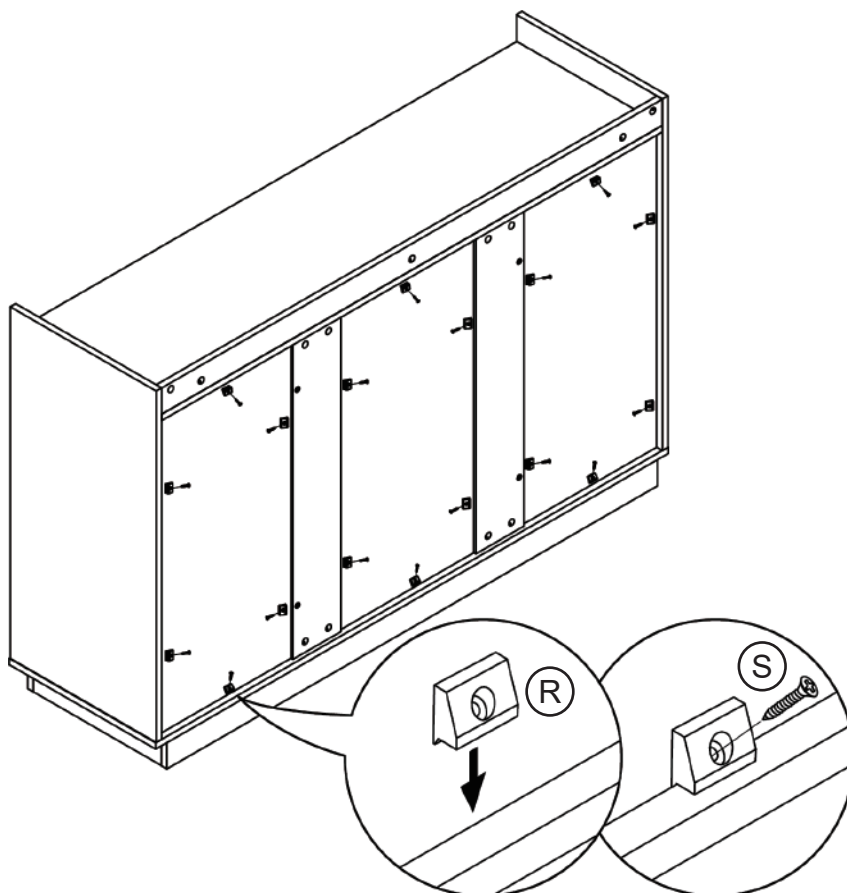
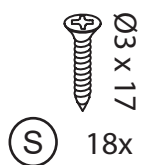
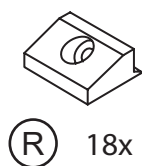
# 22

Secure the back support and back splash panel in place.



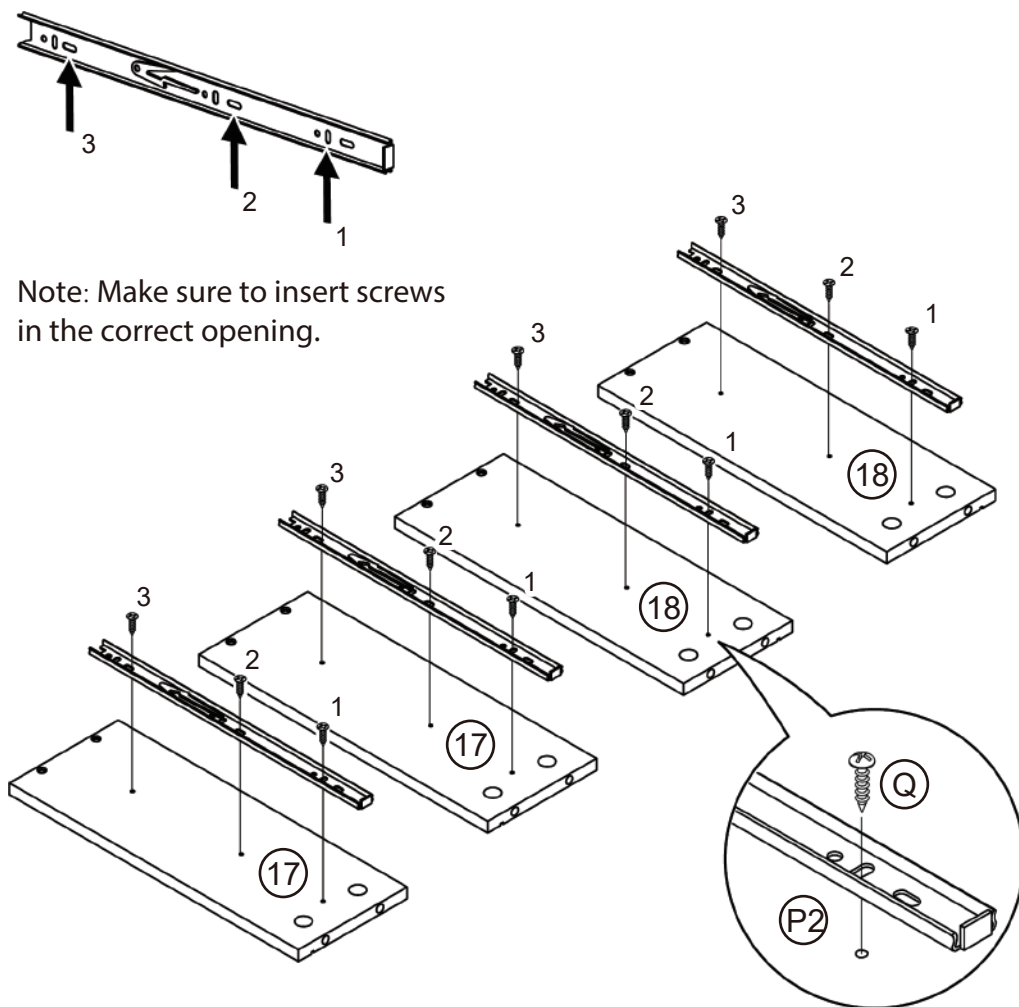
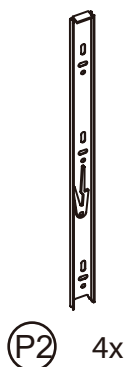
# 23

Secure the back panels in place.



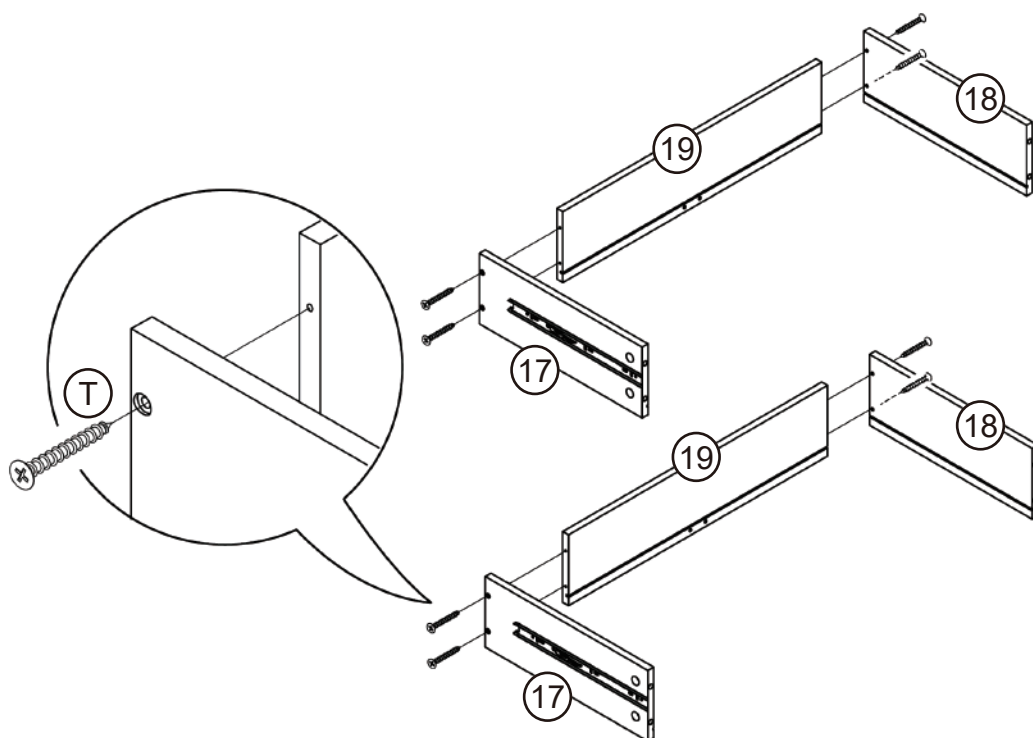
# 24

Attach drawer sliders to the drawer side panels (17, 18).



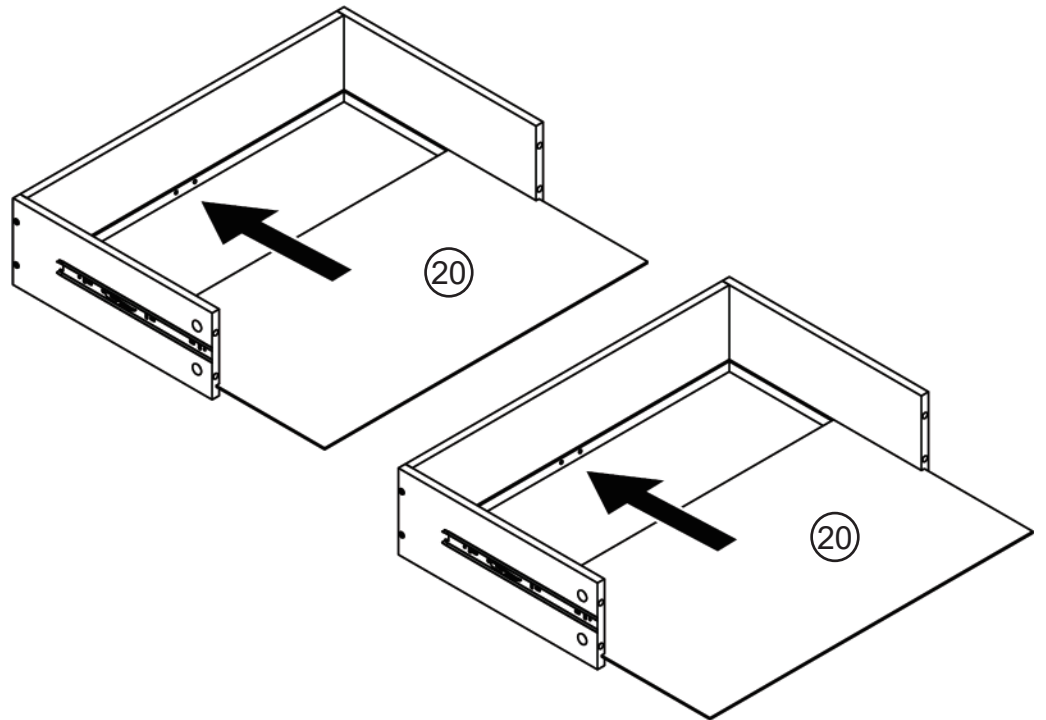
# 25

Assemble drawer back panels (19) between the drawer side panels (17, 18).



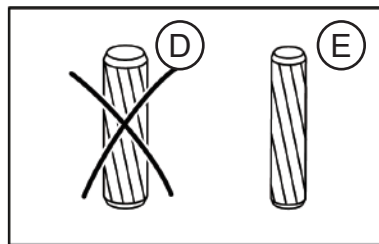
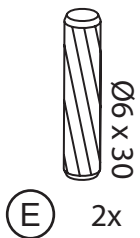
# 26

Slide the drawer bottom panels into the drawer assemblies.

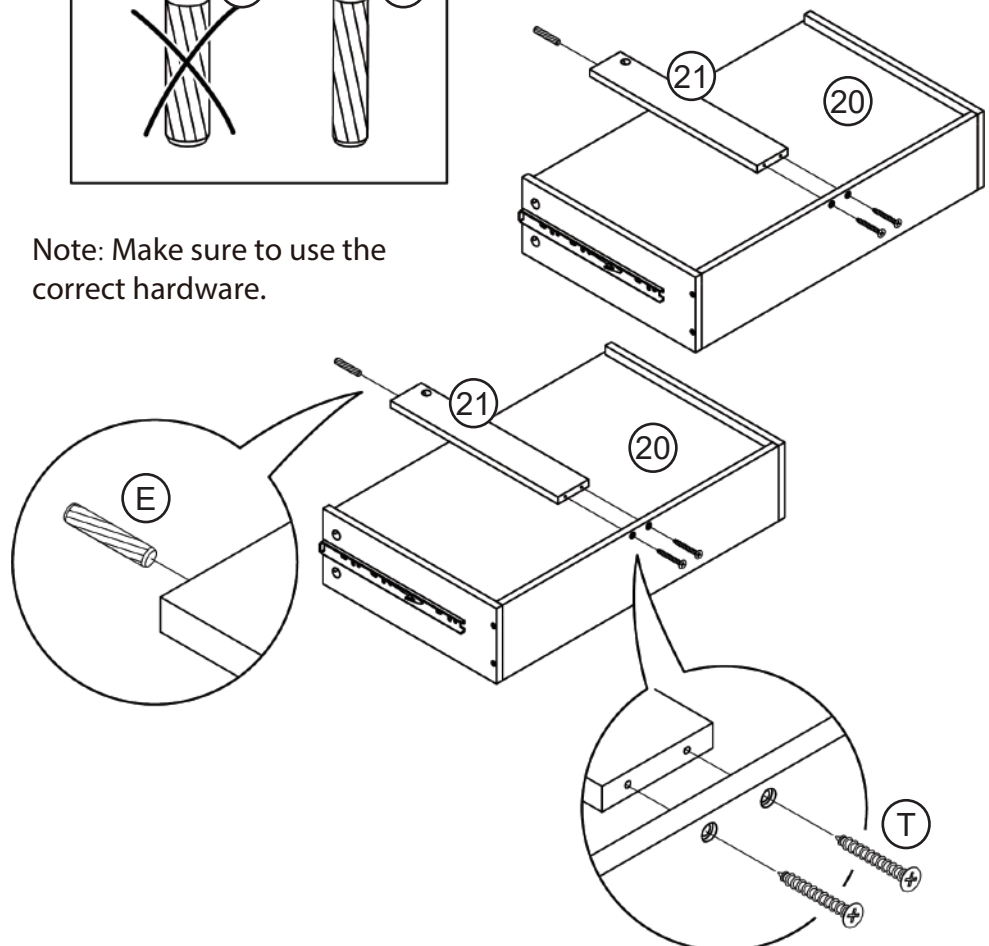


# 27

Attach drawer support strips (21) underneath the drawer assemblies.

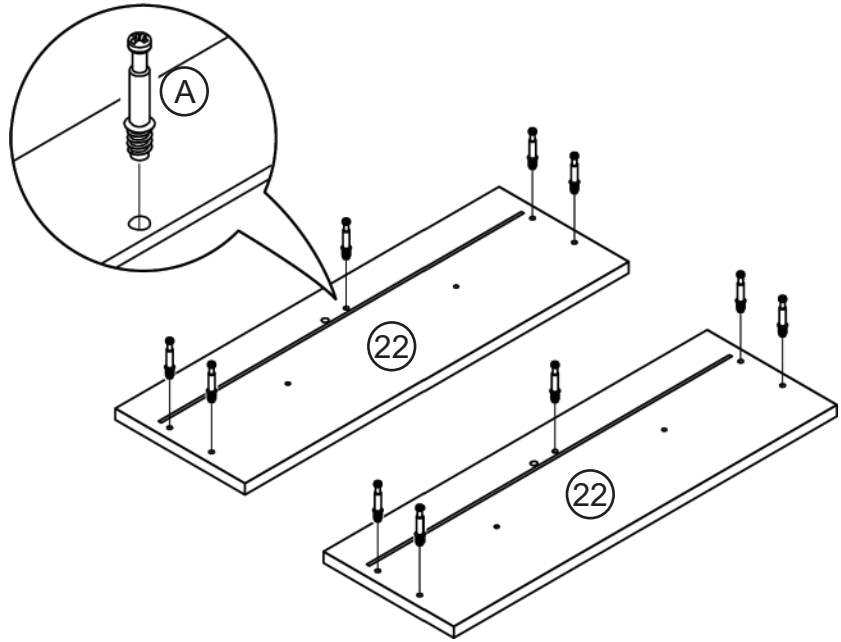
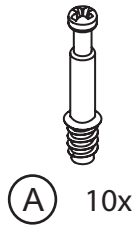


Note: Make sure to use the correct hardware.



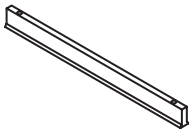
# 28

Attach cam bolts to the drawer front panels (22).



# 29

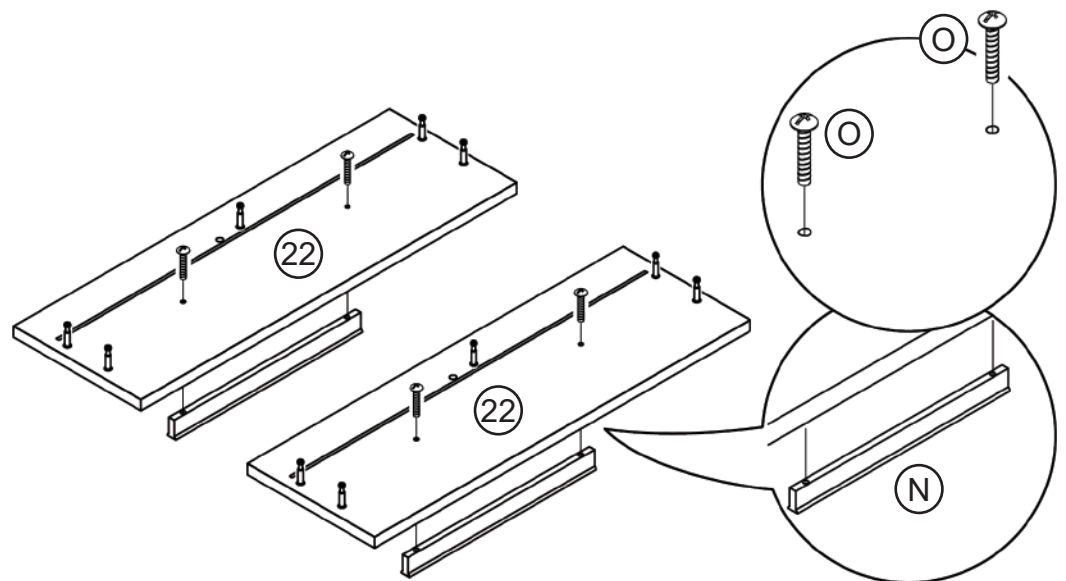
Attach drawer handles to the drawer front panel (22).



(N) 2x

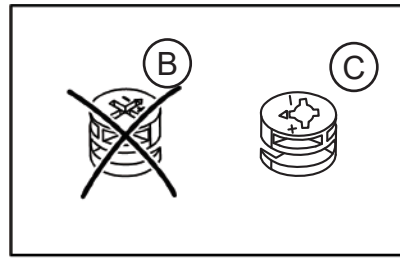
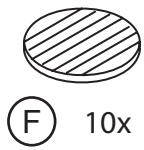
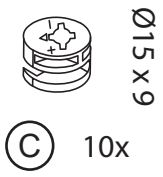


(O) 4x

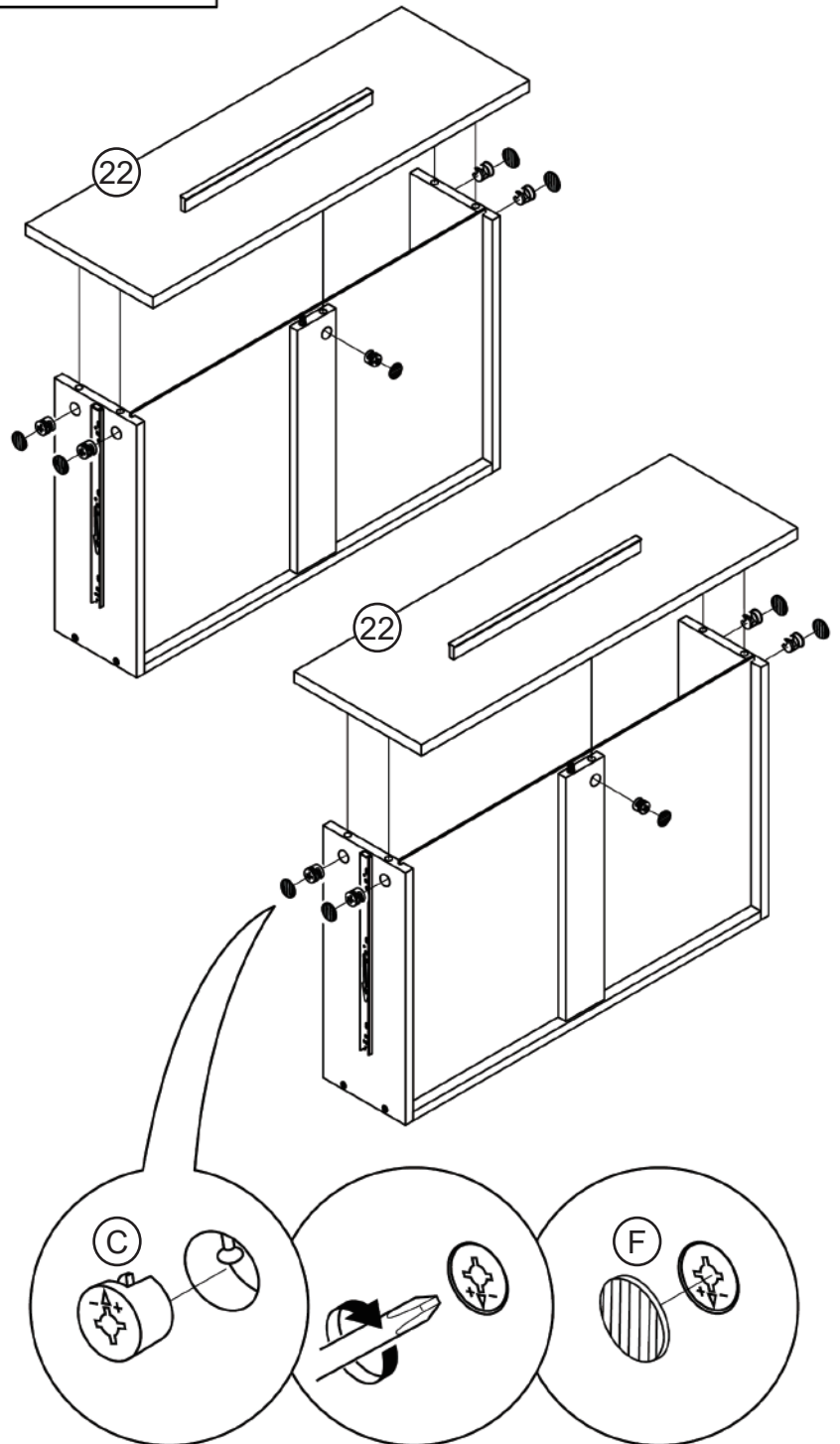


# 30

Assemble the drawer front panels (22) to the drawer assemblies.

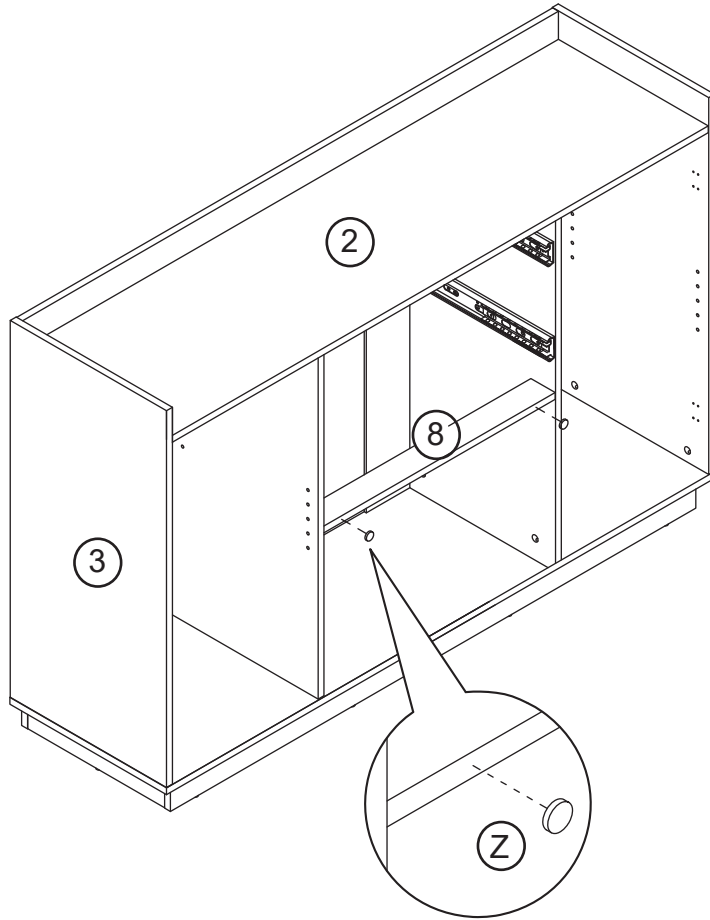
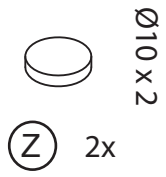


Note: Make sure to use the correct hardware.



# 31

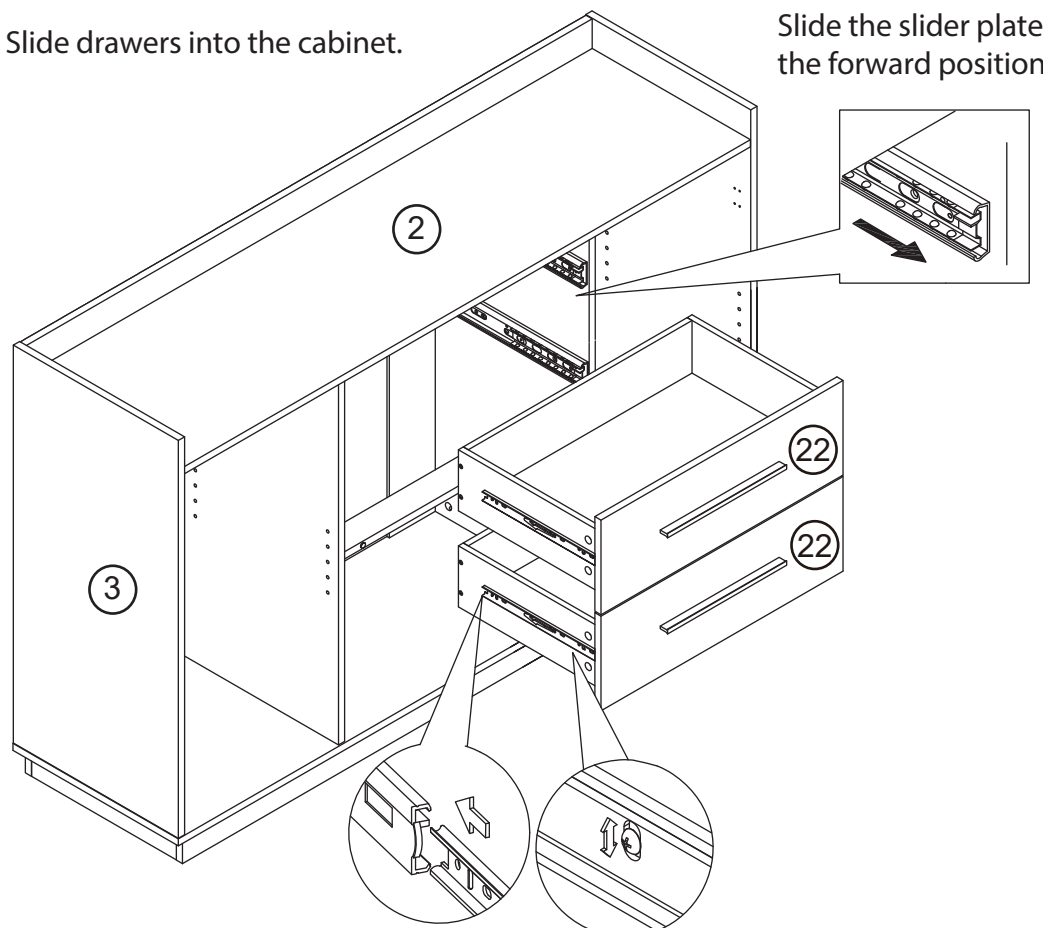
Attach the cushion on crossbar(8).



# 32

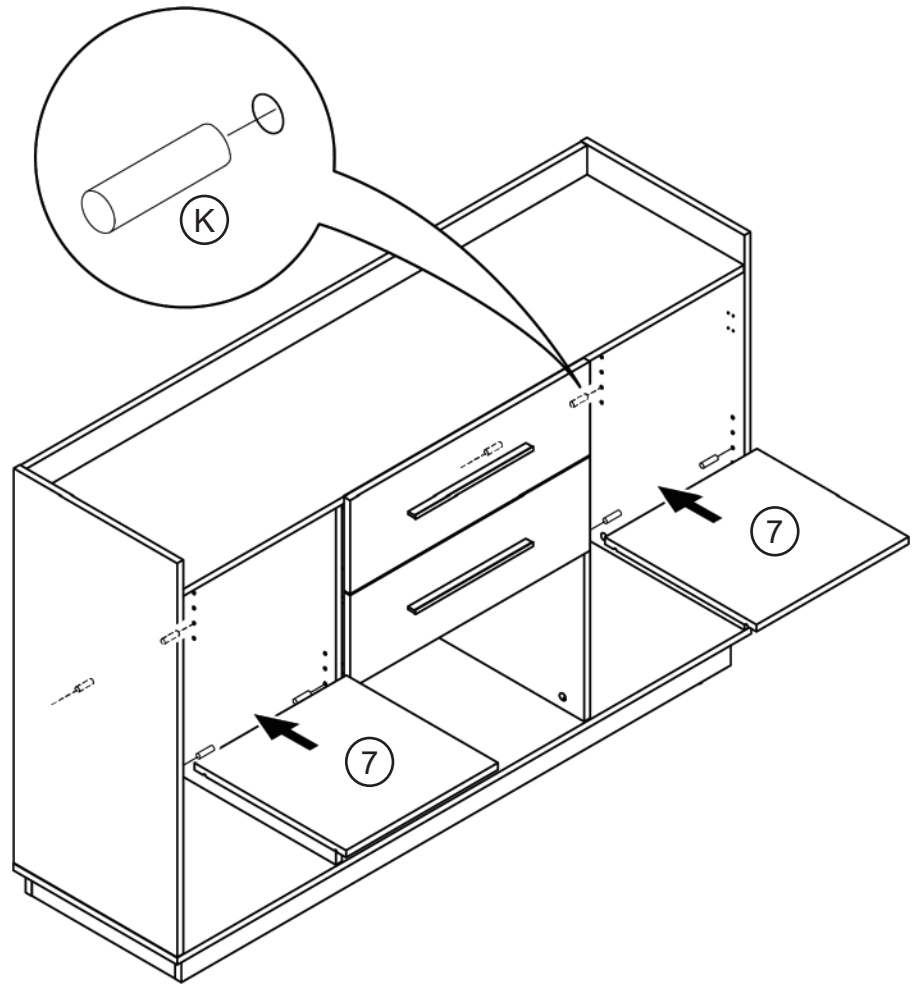
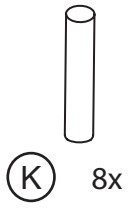
Slide drawers into the cabinet.

Slide the slider plate to the forward position.



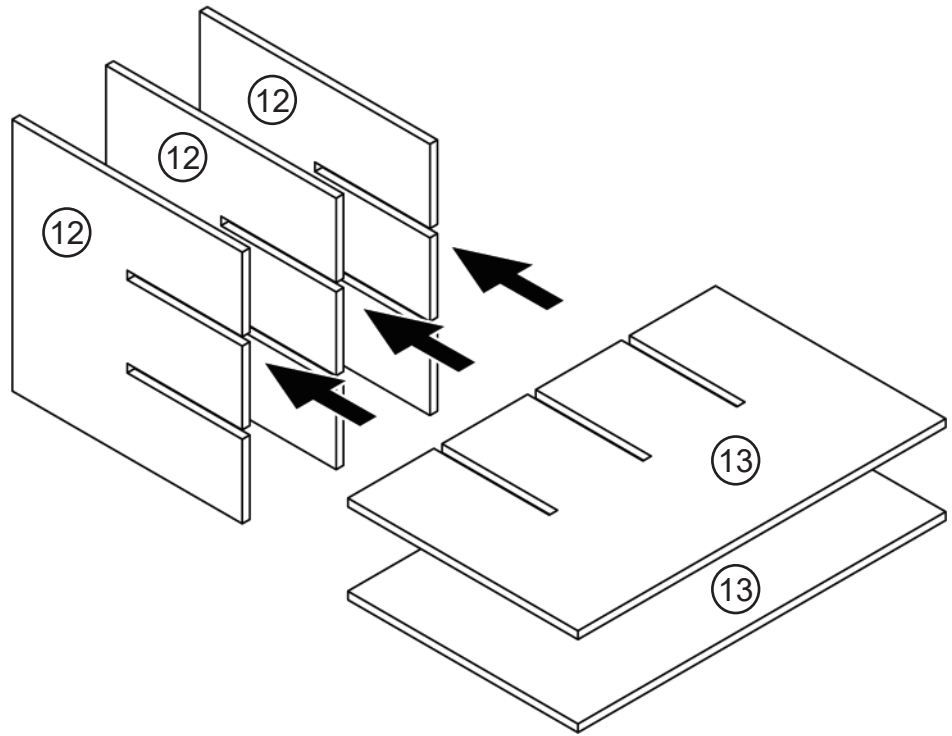
# 33

Insert shelf pegs into the cabinet and put storage panels (7) on top of the pegs.



# 34

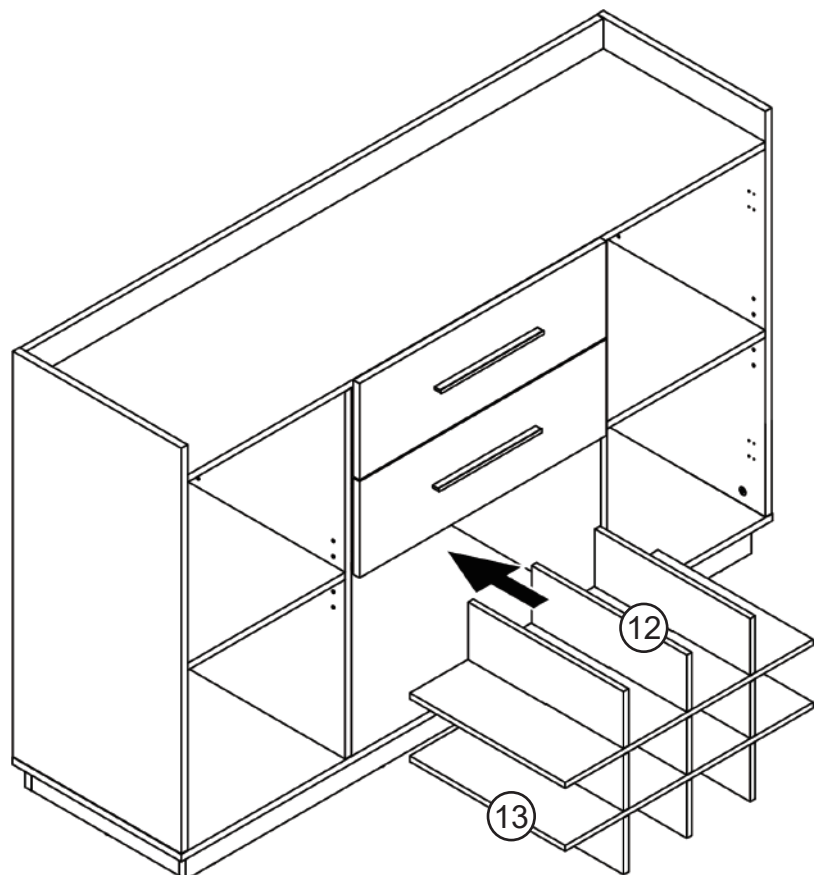
Assemble the wine rack panels (12, 13).



---

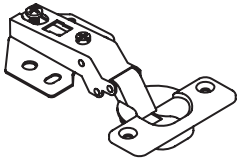
# 35

Slide wine rack into the cabinet.



# 36

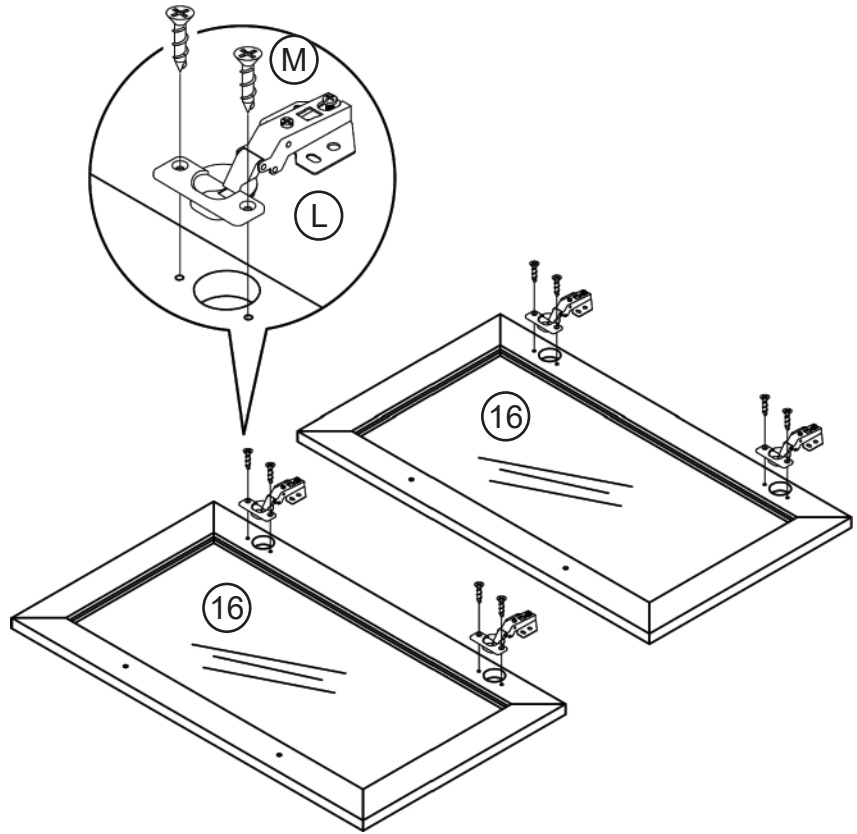
Attach door hinges to the cabinet doors (16).



(L) 4x

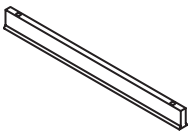


(M) 8x  
Ø4 x 15



# 37

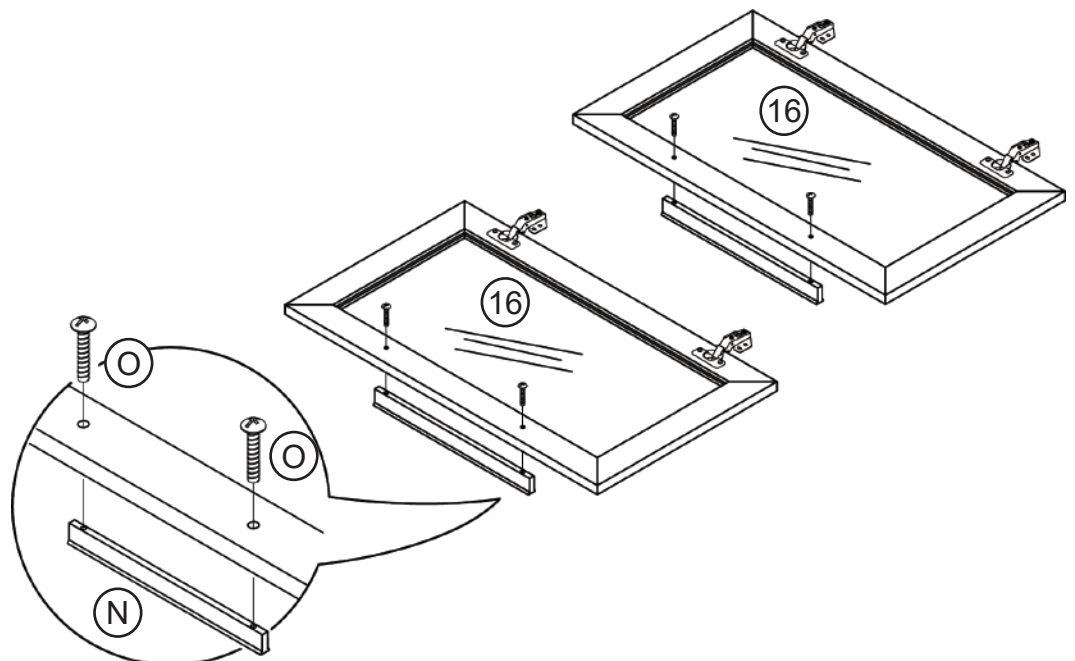
Attach door handles to the cabinet doors (16).



(N) 2x

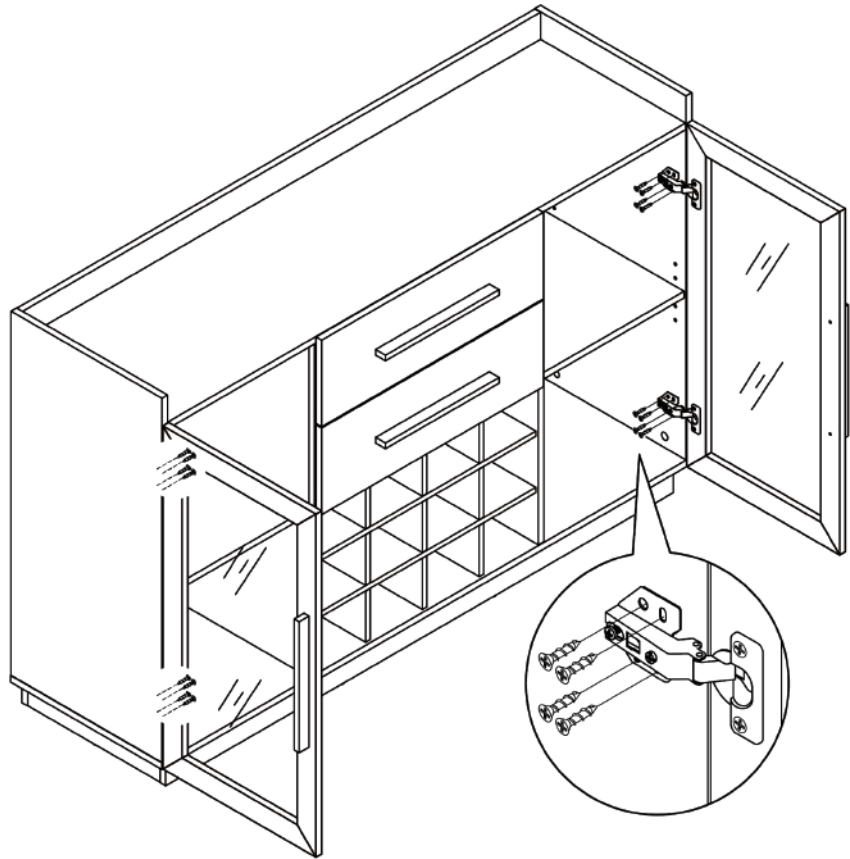
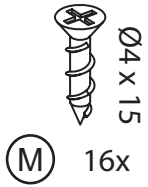


(O) 4x  
5/32" x 22

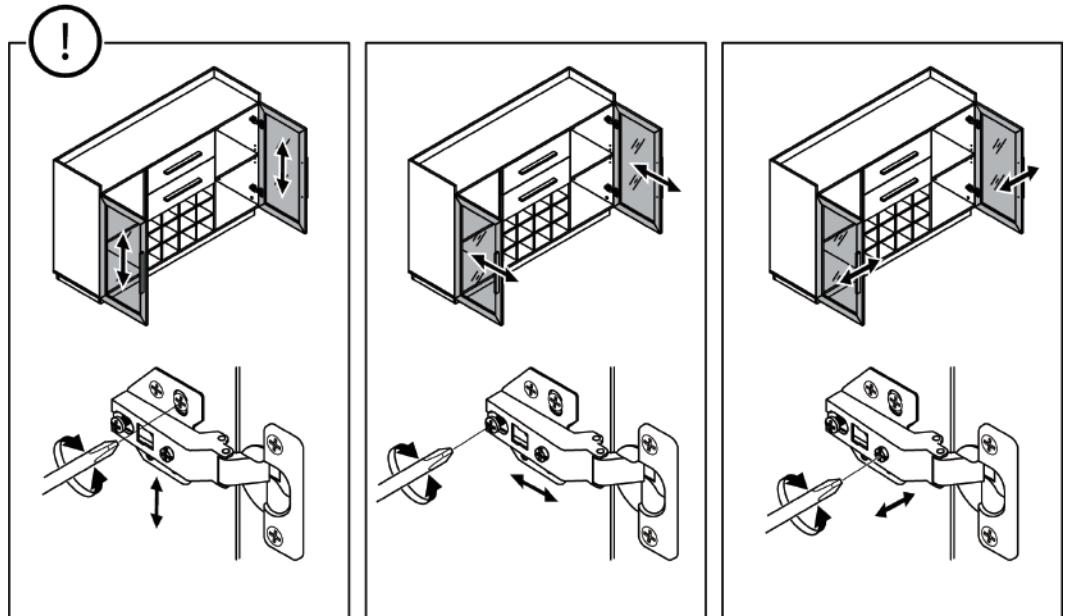


# 38

Attach cabinet doors to the cabinet.



When the clearance of the door is uneven, Adjust the cabinet door according to the figure. If you still have trouble while adjusting the door, please contact us.



Up and down adjustment by loosening the screws on the mounting plate.

In and out adjustment by loosening the screws on the hinge arm.

Side to side adjustment using the front adjustment screw on the hinge.

# 39

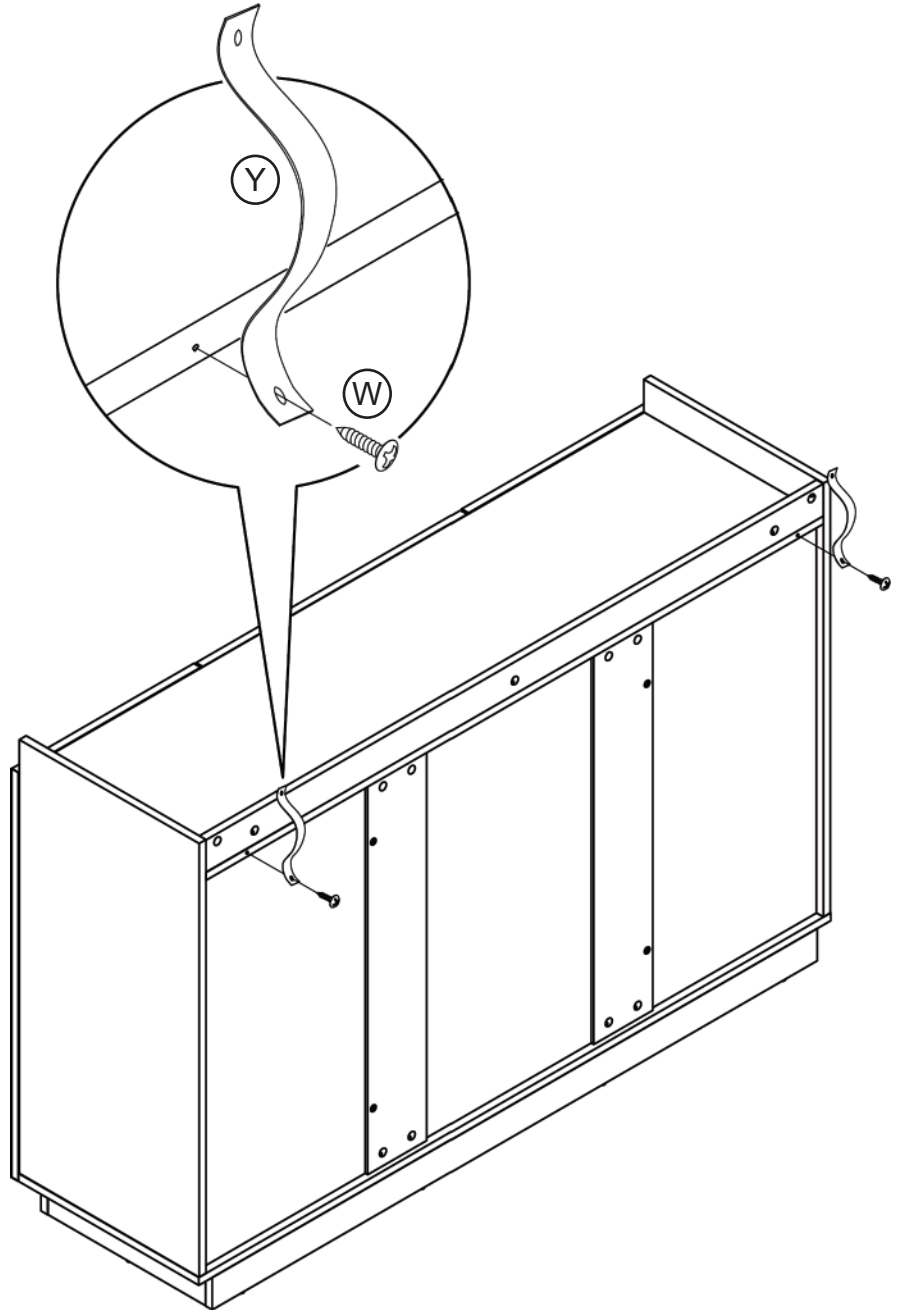
Attach anti-tipping straps to the back of the cabinet.



Ⓜ 2x

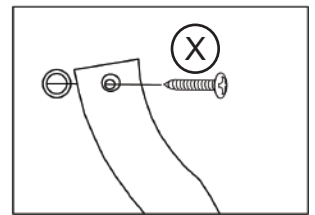
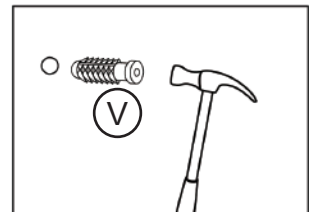
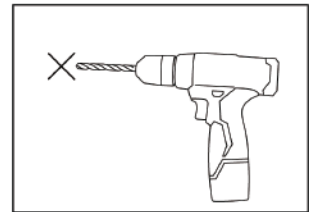
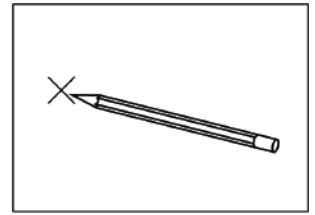
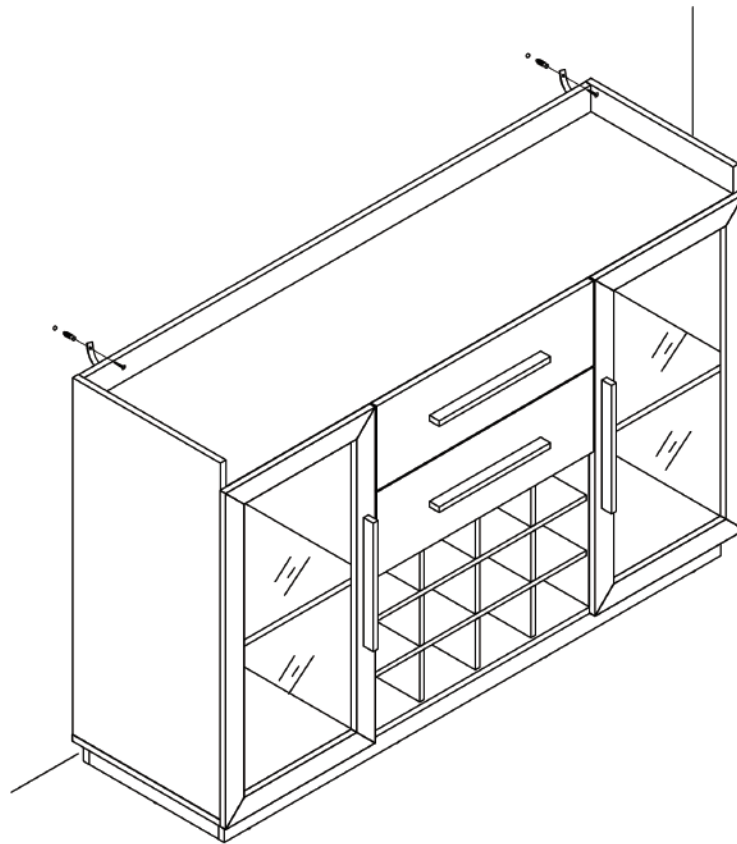
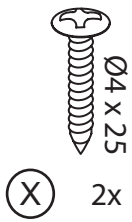
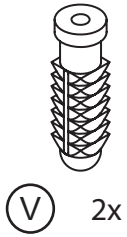


Ⓨ 2x



# 40

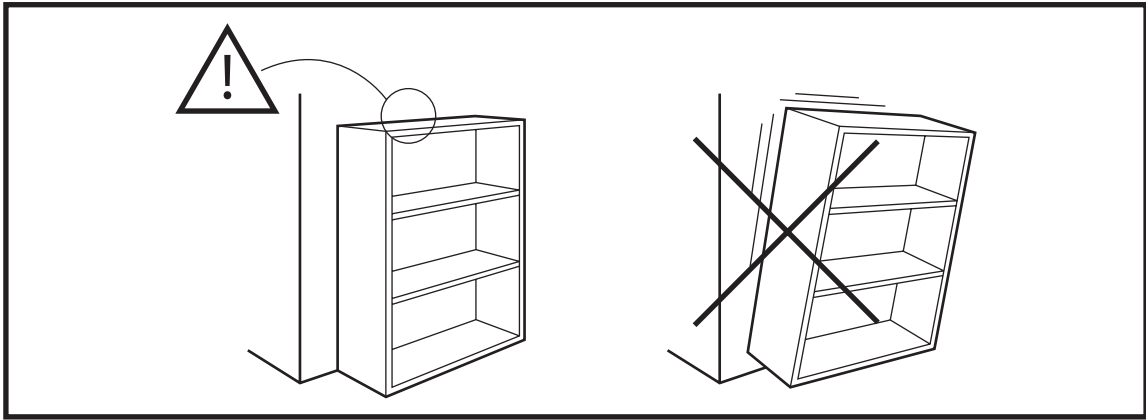
Attach the cabinet to a wall.



Furniture must permanently fixed to the wall stud with included anti-tipping device to prevent the furniture from tipping over.

- Mark the drill position on the wall with a pencil.
- Drill a small hole on the marked position.
- Insert a wall anchor into the drilled hole.
- Fixed the anti-tipping strap to the wall with provided screws.

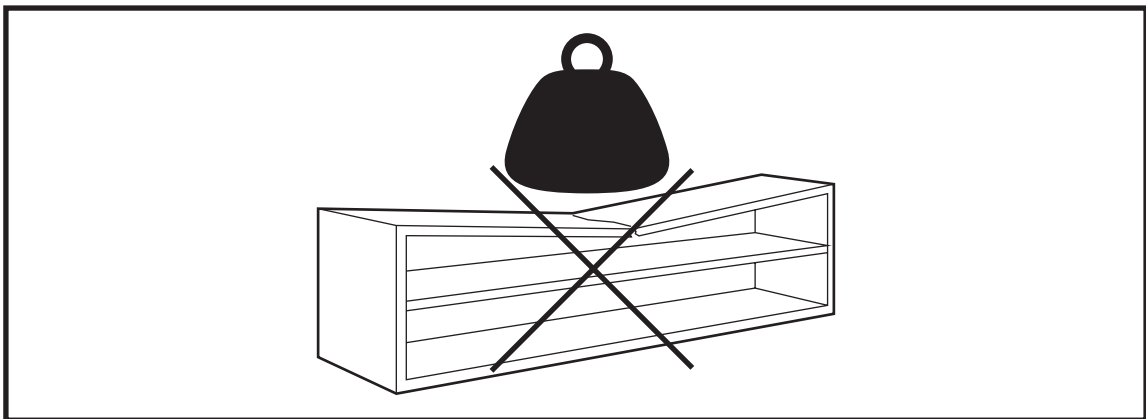
## YOU'RE FINISHED!



## Warning

Serious or fatal crushing injuries may occur if the furniture tip-over. Furniture must permanently affixed to the wall with included anti-tipping device in order to prevent the furniture from tipping over.

Different wall materials requires different types of wall anchors or screws. Use a suitable wall anchors or screws for your specific wall in order to secure the stability and load bearing capacity of the furniture. If you are uncertain about which type of device to use, please contact us or your local hardware store.



## Warning

Only place items on top of the product if they meet the recommended size and weight limits.

Climbing on, stepping on, or placing overweighted objects on the product may cause property damage and/or injuries.

Items placed onto this product must be resting on a support surface without hanging over the edges.

## FURNITURE CARE AND MAINTENANCE

### Medium - Density Fiberboard

Thank you for your purchase. We want your item to last as long as possible. To ensure the product gives you years of longevity, please follow the recommendations in this care and maintenance guide.



#### MAINTENANCE

- Tighten all bolts and screws again within the first 2 weeks of assembly.
- Check the tightness of all bolts every 2 months and tighten them if necessary.



#### CLEANING

- Clean the surface of the MDF (medium - density fiberboard) with a lightly dampened cloth.
- A small amount of mild soap can be used if necessary.
- Dry the surface immediately after cleaning.

⚠ DO NOT use bleach or alcohol to clean the surface.

⚠ DO NOT apply wood treatment on parts made with MDF.

MDF will swell and distort when exposed to water damage. Make sure to dry the furniture immediately after cleaning.

### ⚠ WARNING

The manufacturer and seller are not responsible for any and all liability relating to personal injury, property damage or losses, whether direct, indirect, or incidental, resulting from the incorrect attachment, improper use, inadequate maintenance, unapproved modification or neglect of this product.

# WARRANTY

Products come with a 1-year warranty from the date of delivery. **Register your product on our website to enjoy our limited lifetime warranty!**

## AFTER-SALE SERVICE



Encounter any difficulties or missing parts?



Contact us



We will send you replacement.



Hassle free!  
No need to worry about repackaging and sending your item back.